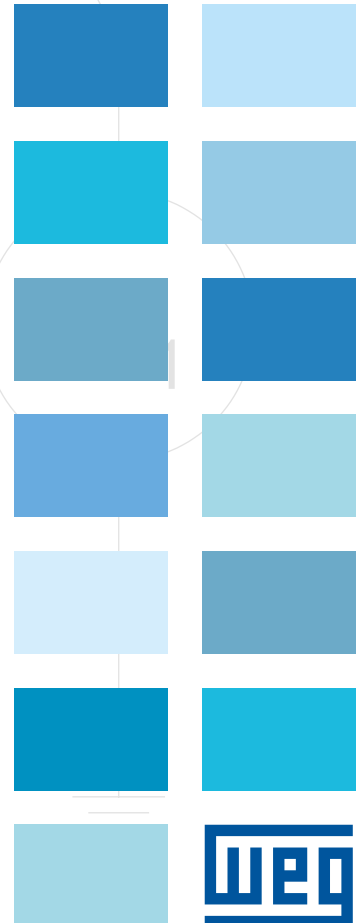


Water Jacket Cooled Motors

New



Water Jacket Cooled Motor

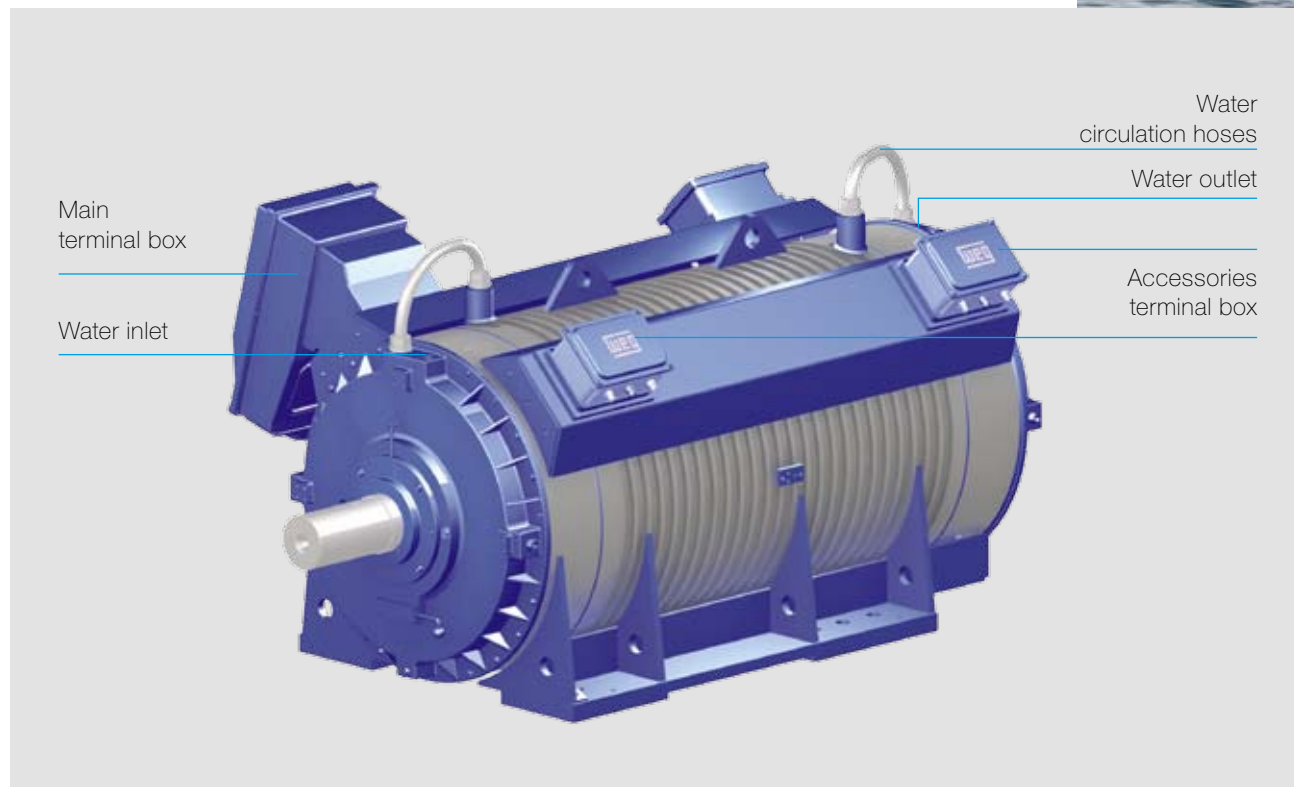
The water jacket cooled WGM motors were designed to meet the increasing demand for compact and reduced noise level machines, where high output power versus frame size ratio is required.

Advantages:

- Low noise level;
- Suitable for variable frequency drive operation;
- Minimum thermal dissipation to the environment;
- Compact construction;
- Suitable for aggressive operating conditions.

Types of applications:

- Marine duty: main and positioning propeller, pumps, etc.;
- Cement: kilns, mills, conveyor belts, fans, vibrating equipment, etc.;
- Wind energy generation;
- Mining: crushers, mills, conveyor belts, compressors, fans, pumps, etc.;
- Pulp and paper: chippers, mixers, debarkers, refineries, etc.
- Petrochemical: pumps and compressors;
- Water and sanitation: pumps;
- Steel industry: fans, exhausters, laminators, pumps, conveyor belts, cranes, etc.;
- Sugar and alcohol industry: chippers, debarkers, mills, etc.



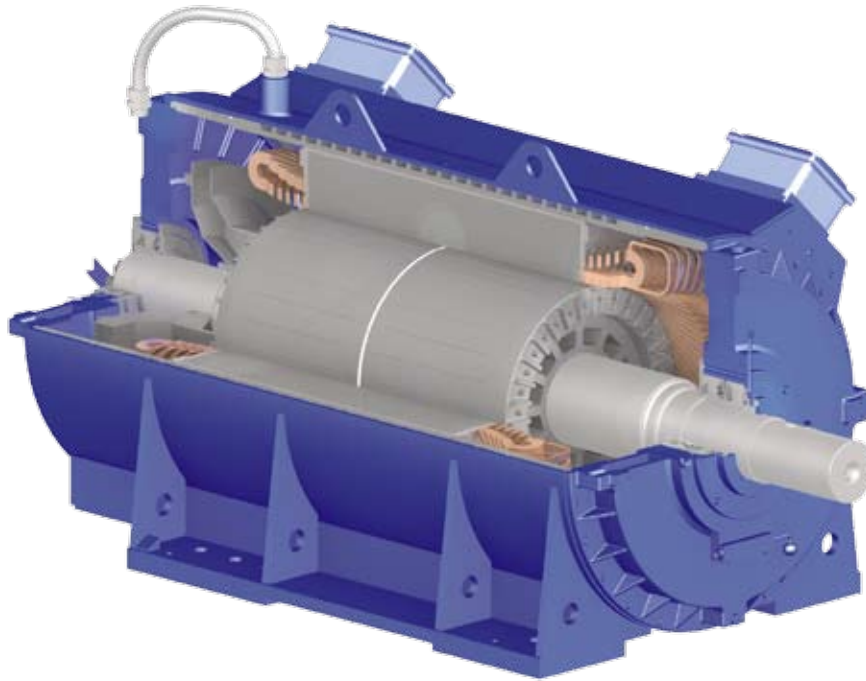
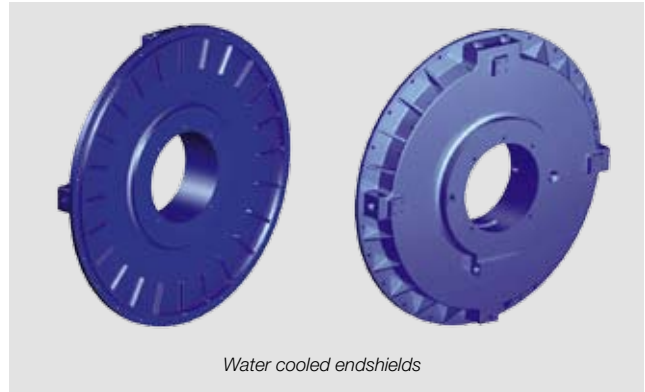


Construction features

The water cooling system for WGM motors is provided by circulation of water over the frame construction and endshields. Besides allowing an effective thermal exchange between motor and the water, this cooling system reduces the temperature of the hoses along the grooves and increases the output power versus frame size ratio.

Additionally, this system maintains the thermal efficiency, even at reduced speeds, which allows the application of this motor with frequency drives at high speed range on severe application that requires constant torque.

The water cooling system also minimizes the heat exchange with the environment, cools down the bearings without requiring independent cooling system along with keeping low noise level.



Technical features

Standard features

- Frame sizes: 315 to 560 (IEC)
- Voltages: 690 V to 6600 V
- Number of poles: 2 to 8
- Frequency: 50 or 60 Hz
- Class of insulation: F or H
- Service factor: 1.0 or 1.15
- Mounting: B3, V1
- Degree of Protection: IP55
- Cooling system: IC71W
- Cast iron frame

- Insulated non-drive end bearing for frame sizes above 450 (inclusive).
- Insulated non-drive end bearing and shaft grounding brushes for VFD application motors, independently of frame size.
- PT100 - 2 per phase and 1 per bearing.
- Space heaters.
- Grounding lugs on frame and on main terminal box.
- Stainless steel nameplate.
- Drain plugs.

Optional features

- PT100 – water inlet and outlet.
- Flowmeter – water inlet and outlet.
- Water leakage detector.
- Insulated non-drive end bearing and shaft grounding brush.

Special features

- Steel welded frame.
- Marine certifications: ABS, Lloyd's Register, DNV and BV.

Note: Other features, on request.

Output power per frame size

Output power values in kW, for f = 60Hz

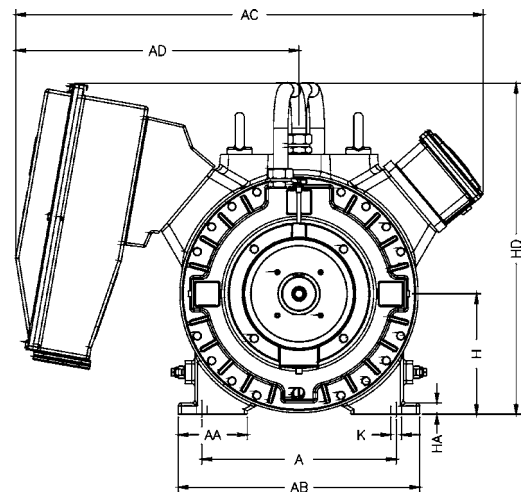
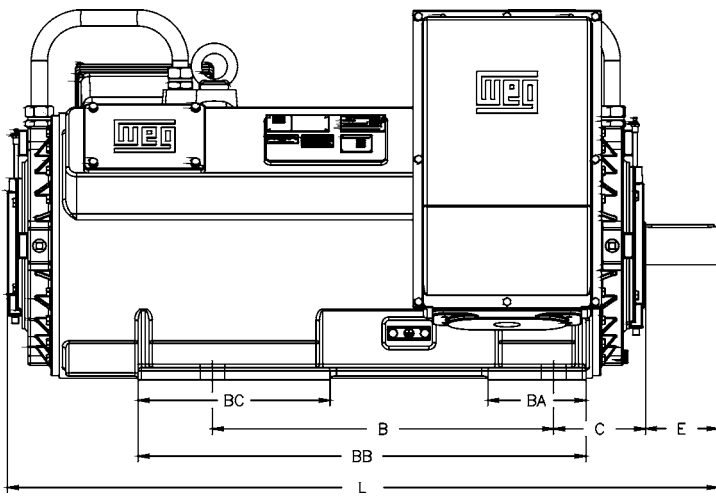
	Frame 315			Frame 355			Frame 400		
	690V	4160V	6600V	690V	4160V	6600V	690V	4160V	6600V
2 poles	450	450	400	630	630	560	1000	1000	900
4 poles	560	500	450	800	710	630	1250	1120	1000
6 poles	400	355	315	630	630	560	1000	1000	900
8 poles	315	280	-	500	500	450	800	800	710

	Frame 450			Frame 500			Frame 560		
	690V	4160V	6600V	690V	4160V	6600V	690V	4160V	6600V
2 poles	1600	1600	1400	2000	2250	2000	-	3150	2800
4 poles	1600	1800	1600	2250	2500	2250	-	3150	2800
6 poles	1400	1600	1400	2250	2250	2000	-	2800	2500
8 poles	1120	1120	1000	1800	1800	1400	2000	2250	1800

Note: The values shown are subject to change without prior notice.



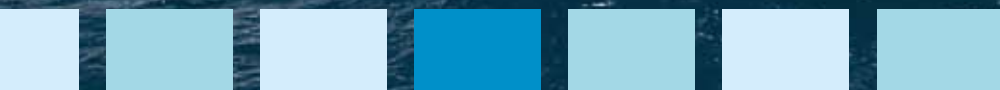
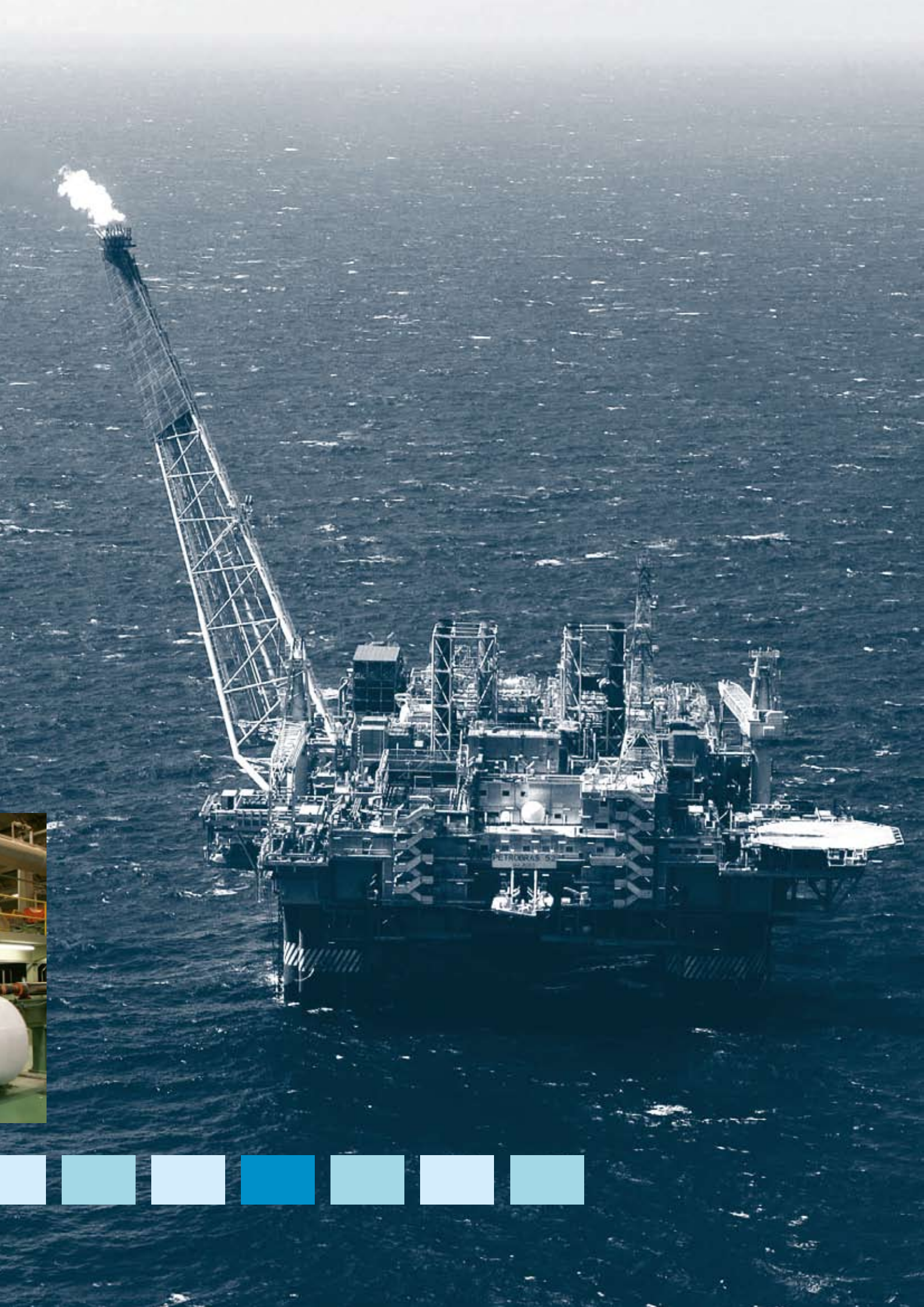
Mechanical features



Frame	Dimensions in mm															
	A	B	AB	BB	AA	HA	K	H	HD	AC	AD	C	E	BA	BC	L
315	508	800	630	1050	180	30	28	315	865	1221	740	215	170	230	540	1667
355	610	900	750	1240	215	35	28	355	981	1239	757	254	210	230	540	1946
400	686	1000	840	1350	218	45	36	400	1064	1316	795	280	210	230	540	2255
450	800	1120	950	1470	250	45	36	450	1153	1299	795	315	210	230	540	2250
500	850	1250	1050	1600	275	50	42	500	1148	1484	878	375	210	230	650	2551
560	950	1250	1200	1600	320	55	42	560	1381	1576	925	400	250	230	650	2716

Note: The values shown are subject to change without prior notice.





WEG Worldwide Operations

ARGENTINA

WEG EQUIPAMIENTOS
ELECTRICOS S.A.
(Headquarters San
Francisco-Cordoba)
Sgo. Pampiglione 4849
Parque Industrial San Francisco
2400 - San Francisco
Phone(s): +54 (3564) 421484
Fax: +54 (3564) 421459
info-ar@weg.net
www.weg.net/ar

AUSTRALIA

WEG AUSTRALIA PTY. LTD.
3 Dalmore Drive
Carribean Park Industrial Estate
Scoresby VIC 3179 - Melbourne
Phone(s): 61 (3) 9765 4600
Fax: 61 (3) 9753 2088
info-au@weg.net
www.weg.net/au

BELGIUM

WEG BENELUX S.A.
Rue de l'Industrie 30 D,
1400 Nivelles
Phone(s): + 32 (67) 88-8420
Fax: + 32 (67) 84-1748
info-be@weg.net
www.weg.net/be

CHILE

WEG CHILE S.A.
Los Canteros 8600
La Reina - Santiago
Phone(s): (56-2) 784 8900
Fax: (56-2) 784 8950
info-cl@weg.net
www.weg.net/cl

CHINA

WEG (NANTONG) ELECTRIC
MOTOR MANUFACTURING CO.,
LTD.
No. 128# - Xinkai South Road,
Nantong Economic &
Technical Development Zone,
Nantong, Jiangsu Province.
Phone(s): (86) 0513-85989333
Fax: (86) 0513-85922161
info-cn@weg.net
www.weg.net/cn

COLOMBIA

WEG COLOMBIA LTDA
Calle 46A N82 - 54
Porteria II - Bodega 7 - San
Cayetano II - Bogotá
Phone(s): (57 1) 416 0166
Fax: (57 1) 416 2077
info-co@weg.net
www.weg.net/co

FRANCE

WEG FRANCE SAS
ZI de Chenes - Le Loup
13 Rue du Morellon - BP 738
38297 Saint Quentin Fallavier
Phone(s): +33 (0) 4 74 99 11 35
Fax: +33 (0) 4 74 99 11 44
info-fr@weg.net
www.weg.net/fr

GERMANY

WEG GERMANY GmbH
Alfred-Nobel-Str. 7-9
D-50226 Frechen
Phone(s): +49 (2234) 9 5353-0
Fax: +49 (2234) 9 5353-10
info-de@weg.net
www.weg.net/de

INDIA

WEG Electric (India) Pvt. Ltd.
#38, Ground Floor, 1st Main
Road, Lower Palace Orchards,
Bangalore - 560 003
Phone(s): +91-80-4128 2007
+91-80-4128 2006
Fax: +91-80-2336 7624
info-in@weg.net
www.weg.net/in

ITALY

WEG ITALIA S.R.L.
V.le Brianza 20 - 20092 - Cinisello
Balsamo - Milano
Phone(s): (39) 02 6129-3535
Fax: (39) 02 6601-3738
info-it@weg.net
www.weg.net/it

JAPAN

WEG ELECTRIC MOTORS
JAPAN CO., LTD.
Matsumoto Bldg. 2F, 3-23-7
Kamata, Ohta-ku,
Tokyo, Japan 144-0052
Phone(s): (81) 3 3736-2998
Fax: (81) 3 3736-2995
info-jp@weg.net
www.weg.net/jp

MEXICO

WEG MEXICO, S.A. DE C.V.
Carretera Jorobas-Tula Km. 3.5,
Manzana 5, Lote 1
Fraccionamiento Parque
Industrial - Huehuetoca,
Estado de México - C.P. 54680
Phone(s): + 52 (55) 5321 4275
Fax: + 52 (55) 5321 4262
info-mx@weg.net
www.weg.net/mx

NETHERLANDS

WEG NETHERLANDS
Sales Office of
WEG Benelux S.A.
Hanzepoort 23C
7575 DB Oldenzaal
Phone(s): +31 (0) 541-571080
Fax: +31 (0) 541-571090
info-nl@weg.net
www.weg.net/nl

PORTUGAL

WEG EURO - INDÚSTRIA
ELÉCTRICA, S.A.
Rua Eng. Frederico Ulrich
Apartado 6074
4476-908 - Maia
Phone(s): +351 229 477 705
Fax: +351 229 477 792
info-pt@weg.net
www.weg.net/pt

RUSSIA

WEG RUSSIA
Pochainskaya Str. 17
Nizhny Novgorod
603001 - Russia
Phone(s): +7-831-2780425
Fax: +7-831-2780424
info-ru@weg.net
www.weg.net/ru

SPAIN

WEG IBERIA S.L.
Avenida de la Industria, 25
28823 Coslada - Madrid
Phone(s): (34) 916 553 008
Fax: (34) 916 553 058
info-es@weg.net
www.weg.net/es

SINGAPORE

WEG SINGAPORE PTE LTD
159, Kampong Ampat,
#06-02A KA PLACE.
Singapore 368328.
Phone(s): +65 6858 9081
Fax: +65 6858 1081
info-sg@weg.net
www.weg.net/sg

SWEDEN

WEG SCANDINAVIA AB
Box 10196
Verkstadgatan 9
434 22 Kungsbacka
Phone(s): (46) 300 73400
Fax: (46) 300 70264
info-se@weg.net
www.weg.net/se

UK

WEG ELECTRIC
MOTORS (U.K.) LTD.
28/29 Walkers Road
Manorside Industrial Estate
North Moons Moat - Redditch
Worcestershire B98 9HE
Phone(s): 44 (0)1527 596-748
Fax: 44 (0)1527 591-133
info-uk@weg.net
www.weg.net/uk

UNITED ARAB EMIRATES

WEG MIDDLE EAST FZE
JAFZA - JEBEL ALI FREE ZONE
Tower 18, 19th Floor,
Office LB181905
Dubai - United Arab Emirates
info-ae@weg.net
www.weg.net/ae

USA

WEG ELECTRIC CORP.
1327 Northbrook Parkway,
Suite 490
Suwanee 30024
Phone(s): 1-770-338-5656
Fax: 1-770-338-1632
info-us@weg.net
www.weg.net/us

VENEZUELA

WEG INDUSTRIAS
VENEZUELA C.A.
Parcela T-4-A Transversal 9 Urb.
Industrial Carabobo Catastral
79-101 Edf. ELIMECA Loc.
ELIMECA, Zona Postal 2003,
Valencia, Edo. Carabobo
Phone(s): (58) 241 838 9239
Fax: (58) 241 838 9239
info-ve@weg.net
www.weg.net/ve



WEG Equipamentos Elétricos S.A.
International Division
Av. Prefeito Waldemar Grubba, 3000
89256-900 - Jaraguá do Sul - SC - Brazil
Phone: 55 (47) 3276-4002
Fax: 55 (47) 3276-4060
www.weg.net

