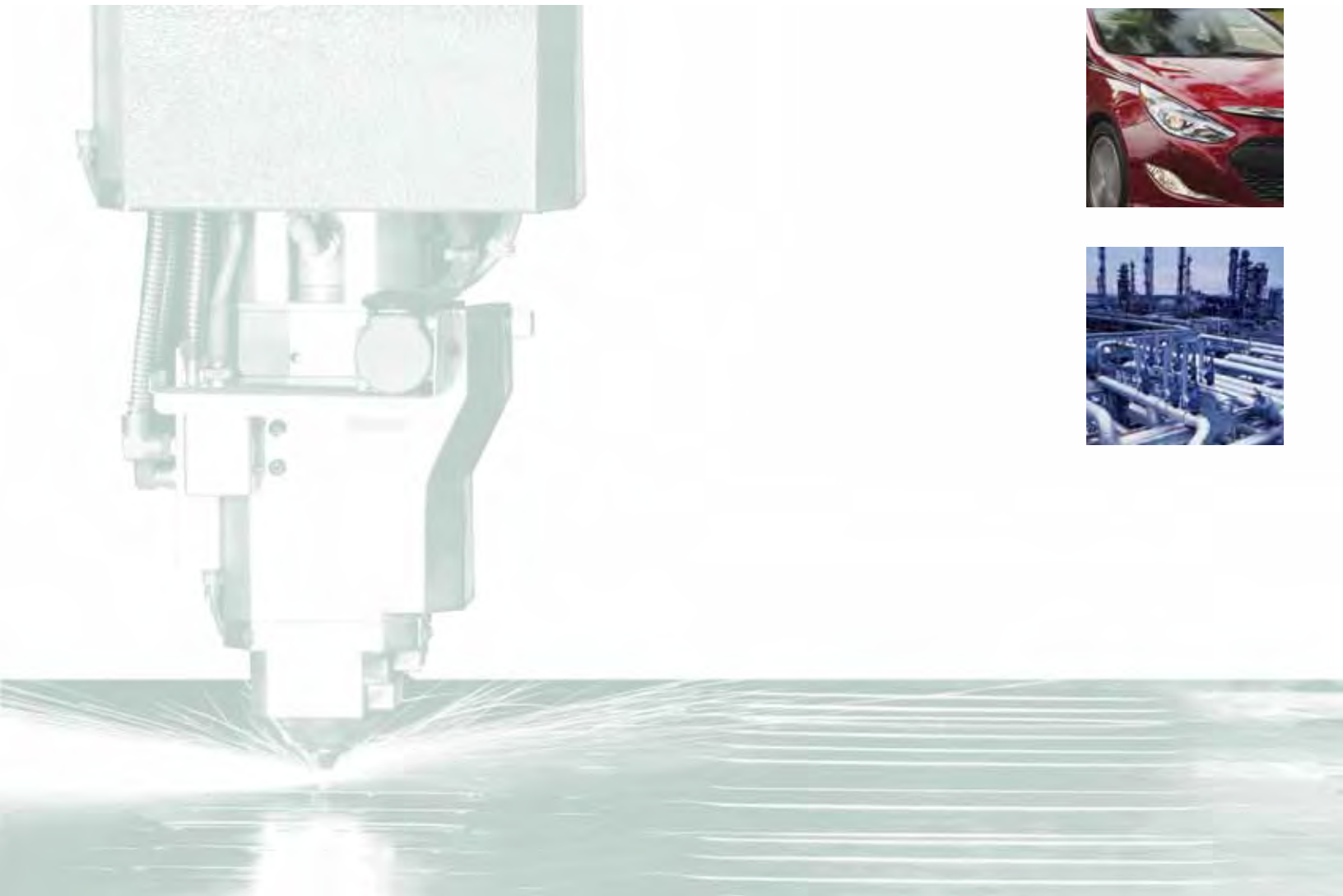


High Performance DC/DC Controllers



We provide complete power solutions with a full lineup of power management products. This brochure provides an overview of our high performance DC/DC switching regulator controllers for applications including datacom, telecom, industrial, automotive, medical, avionics and control systems. We make power design easier with our industry-leading field application engineering support; a broad selection of demonstration boards with schematics, layout files and parts lists; SwitcherCAD® software for simulation, application notes and comprehensive technical documentation.

Contents

Topologies

DC/DC Converter Topologies.....	1
---------------------------------	---

Step-Down (Buck) DC/DC Controllers

Single Output Buck DC/DC Controllers V_{IN} up to 24V	2
Single Output Buck DC/DC Controllers V_{IN} up to 38V	3
Single Output Buck DC/DC Controllers V_{IN} up to 60V/100V.....	4
PolyPhase® Single Output DC/DC Controllers.....	5
PolyPhase Multiple Output DC/DC Controllers.....	6

Step-Up (Boost), Buck-Boost, Sepic, Inverter and Flyback Controllers

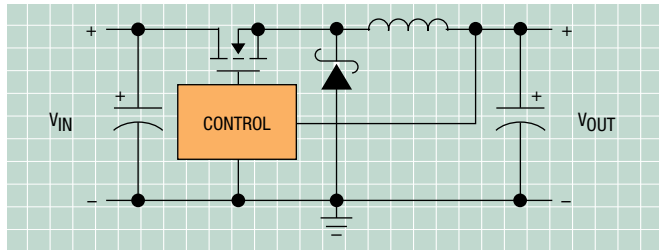
Boost DC/DC Controllers	7
Synchronous Buck-Boost DC/DC Controllers.....	8
SEPIC DC/DC Controllers.....	9
Inverter DC/DC Controllers	10
Flyback Controllers.....	11

Micropower, Multiple Topologies, DDR/QDR, Monitor, Margining and MOSFET Drivers

Micropower DC/DC Controllers	12
Multiple Topology DC/DC Controllers.....	13
DDR/QDR Memory Termination DC/DC Controllers	14
Digital Power System Management	15
High Speed MOSFET Drivers.....	16

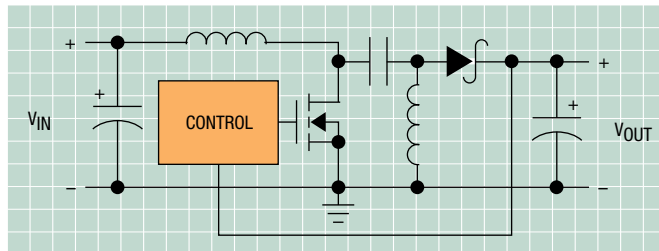
DC/DC Converter Topologies

Step-Down (Buck) Converter



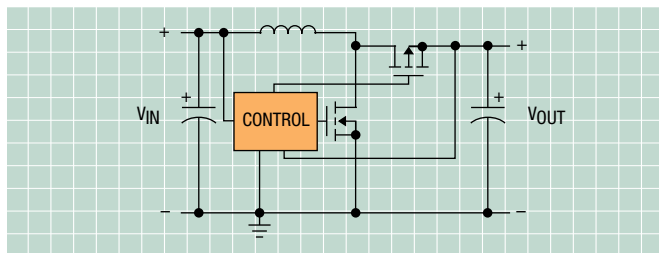
$V_{OUT} < V_{IN}$

SEPIC Converter



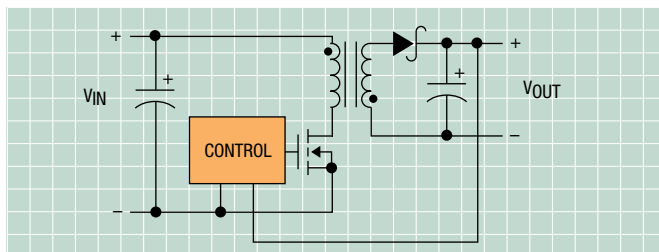
V_{IN} Above, Below or Equal to V_{OUT}

Synchronous Step-Up (Boost) Converter



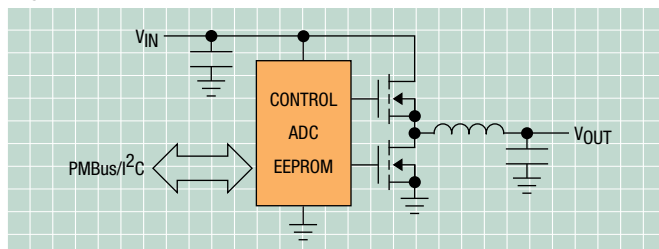
More Efficient than a Standard Boost

Flyback Converter



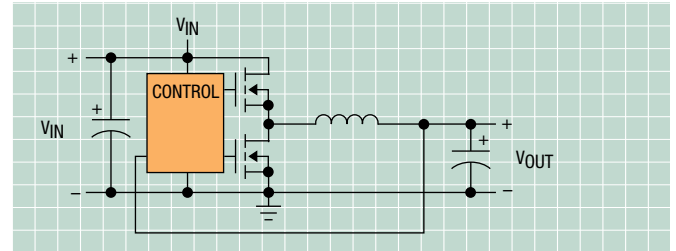
Isolated and Non-Isolated; High V_{OUT}/V_{IN} Ratios; Simple

Digital Power Synchronous Buck Converter



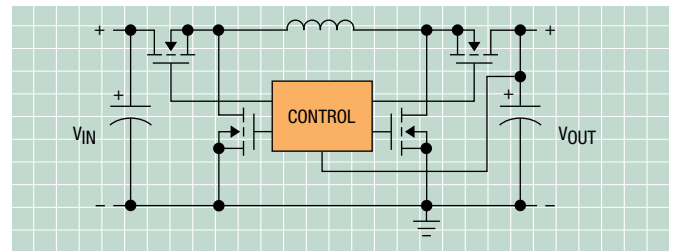
Digital Control, Telemetry and Fault Logging

Synchronous Step-Down (Buck) Converter



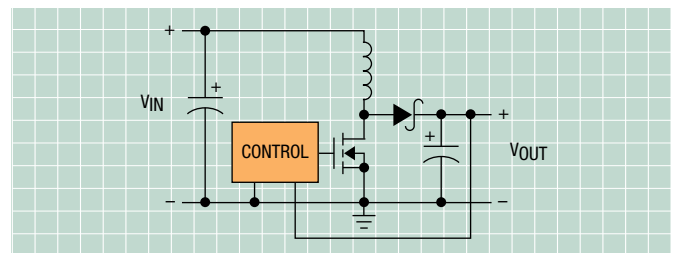
More Efficient than a Standard Buck

Synchronous Buck-Boost Converter



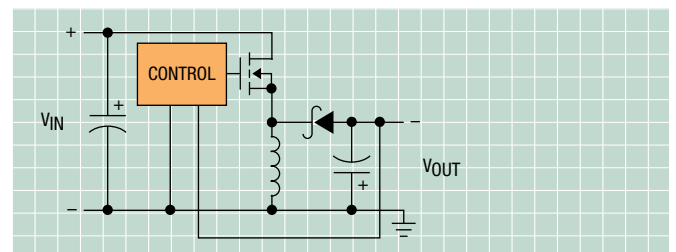
V_{IN} Above, Below or Equal to V_{OUT} ; More Efficient than a SEPIC

Step-Up (Boost) Converter



$V_{OUT} < V_{IN}$

Inverter



Converts Positive Input Voltage to Negative Output Voltage

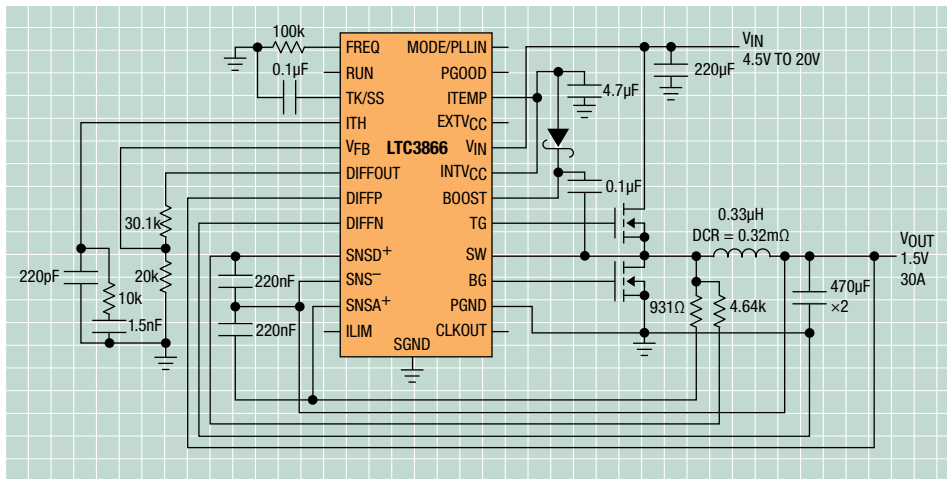
Single Output Buck DC/DC Controllers

V_{IN} up to 38V

LTC3866 Features

- Sub Milliohm DCR Current Sensing
- Advanced Current Mode Control For Ultralow Jitter
- High Efficiency: Up to 95%
- Selectable Current Sensing Limit
- Programmable DCR Temperature Compensation
- $\pm 0.5\%$ 0.6V Output Voltage Accuracy
- Programmable Fixed Frequency 250kHz to 770kHz
- High Speed Differential Remote Sense Amplifier

LTC3866 Sub-Milliohm Synchronous Step-Down Schematic



LTC3866

Actual Size Demo Board
(DC1829A)



Actual Size Back



Part Number	V_{IN} Range (V)	V_{OUT} Range (V)	$I_{OUT}^{(1)}$ Max (A)	Operating Frequency ⁽²⁾	I_O (SUPPLY)	Package	Synchronous Rectification	Remote V_O Sensing	Sub Milliohm DCR	Tracking	Synchronizable	Power Good Signal	Number of Phases	DR MOS/Power Block Compatible
LTC3866	4.5 to 38	0.6 to 3.5	40	250kHz to 770kHz	3.2mA	4x4 QFN-20/TSSOP-24	√	√	√	√	√	√	1	√
LTC3854	4.5 to 38	0.8 to 5.5	25	400kHz	2mA	3x3 DFN/MSOP-12	√			√	√	√	1	
LTC3851A/-1	4 to 38	0.8 to 5.5	25	250kHz to 750kHz	1mA	QFN-16/SSOP-16	√			√	√	√	1	
LTC3775	4.5 to 38	0.6 to $0.8V_{IN}$	25	250kHz to 1MHz	3.5mA	3x3 QFN-12/MSOP-16E	√			√		√	1	
LTC3878	4 to 38	0.8 to $0.9V_{IN}$	25	Constant On-Time	1.5mA	SSOP-16	√						1	
LTC3879	4 to 38	0.6 to $0.9V_{IN}$	25	Constant On-Time	1.5mA	3x3 QFN-12/MSOP-16E	√			√		√	1	
LTC3833	4.5 to 38	0.6 to 5.5	25	200kHz to 2MHz	2mA	3x4 QFN-20/TSSOP-20	√	√		√	√	√	1	
LTC3867	4 to 38	0.6 to 14	25	200kHz to 1.2MHz	3.5mA	4x4 QFN-24	√	√		√	√	√	1	
Low Quiescent Current														
LTC3835/-1	4 to 36	0.8 to 10	25	140kHz to 650kHz	80µA	GN16/3x5 DFN, FE20/4x5QFN	√			√	√	√	1	
LTC3834/-1	4 to 36	0.8 to 10	25	140kHz to 650kHz	30µA	GN16/3x5 DFN, FE20/4x5QFN	√			√	√	√	1	

Additional Features

All parts have peak or valley current mode control and a shutdown (run) pin

Notes

(1) The maximum output current depends on the choice of external components

(2) The operating frequency can be selected within the range indicated

Single Output Buck DC/DC Controllers

V_{IN} up to 60V/100V

LTC3891 Features

- Wide V_{IN} Range: 4V to 60V (65V Abs Max)
- Low Operating IQ: 50 μ A
- Wide Output Voltage Range: $0.8V \leq V_{OUT} \leq 24V$
- R_{SENSE} or DCR Current Sensing

LTC3891

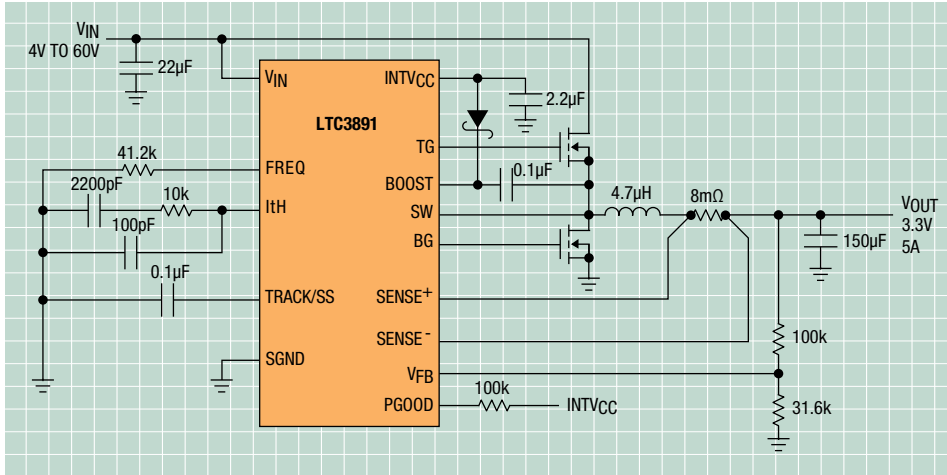
Actual Size Demo Board
(DC1695A)



Actual Size Back



LTC3891 High Voltage Synchronous Step-Down Schematic



Part Number	V_{IN} Range (V)	V_{OUT} Range (V)	$I_{OUT}^{(1)}$ Max (A)	Operating Frequency ⁽²⁾	I_o (SUPPLY)	Package	Synchronous Rectification	No R_{SENSE}	Tracking	Synchronizable	Shut-down	Power Good Signal	Adjustable Turn-on Voltage	Current (I) or Voltage (V) Mode Control
LTC3812-5	4.2 to 60	0.8 to $0.93 V_{IN}$	20	100kHz to 1MHz	3mA	TSSOP-16E	✓	✓			✓	✓		I
LTC3810-5	4.2 to 60	0.8 to $0.93 V_{IN}$	20	100kHz to 1MHz	3mA	QFN-32	✓	✓	✓	✓	✓	✓	✓	I
LTC3703-5	4.1 to 60	0.8 to $0.93 V_{IN}$	10	100kHz to 600kHz	1.7mA	SSOP-16, TSSOP-28	✓	✓		✓	✓			V
LTC3810	6.2 to 100	0.8 to $0.93 V_{IN}$	20	100kHz to 1MHz	3mA	SSOP-28	✓	✓	✓	✓	✓	✓	✓	I
LTC3703	9.3 to 100	0.8 to $0.93 V_{IN}$	10	100kHz to 600kHz	1.7mA	SSOP-16, TSSOP-28	✓	✓		✓	✓			V

Low Quiescent Current

LTC3864	3.5 to 60	0.8 to V_{IN}	5	50kHz to 850kHz	40 μ A	3x4 QFN-12, MSOP-12E			✓	✓	✓	✓	✓	I
LT [®] 3844	4 to 60	1.23 to 36	5	100kHz to 500kHz	120 μ A	TSSOP-16E				✓	✓		✓	I
LTC3891	4 to 60	0.8 to 24	20	50kHz to 900kHz	50 μ A	3x4 QFN-20, TSSOP-20E	✓	✓	✓	✓	✓	✓	✓	I
LT3845A	4 to 60	1.23 to 36	20	100kHz to 500kHz	120 μ A	TSSOP-16E	✓			✓	✓		✓	I
LT3800	4 to 60	1.23 to 36	20	200kHz	80 μ A	TSSOP-16E	✓				✓		✓	I
LT3840	2.5 to 60	1.25 to 60	20	50kHz to 1MHz	220 μ A	4x6 QFN-38, TSSOP-28	✓		✓	✓	✓	✓	✓	I

Additional feature

All parts have programmable soft-start

Notes

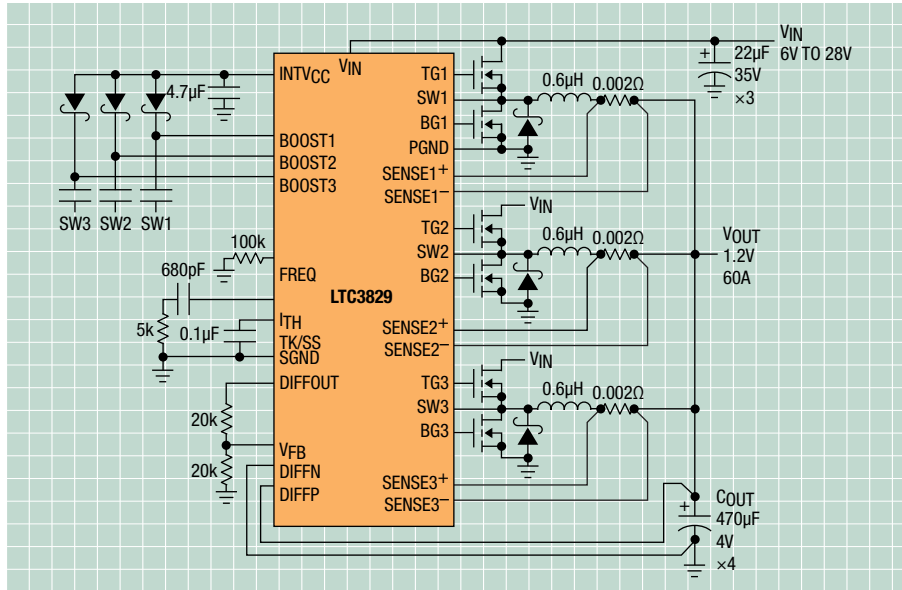
(1) The maximum output current depends on the choice of external components

(2) The operating frequency can be selected within the range indicated

PolyPhase Single Output DC/DC Controllers

PolyPhase operation clocks multiple DC/DC converter channels out-of-phase. This significantly reduces the input and output ripple currents, resulting in higher efficiency and lower EMI, as well as enabling smaller input and output filtering components.

LTC3829 3-Phase Synchronous Step-Down Schematic



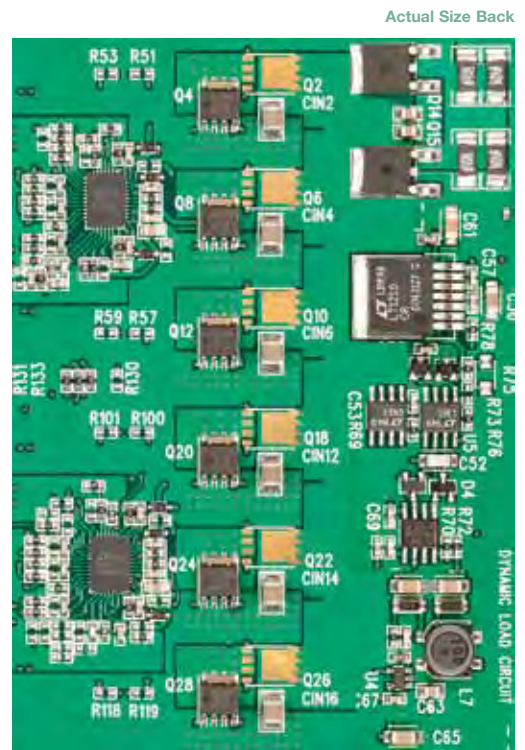
LTC3829 Features

- Nonlinear Control for Fast Transient Response
- ±0.75%, 0.6V Reference Accuracy
- PWM, Stage Shedding™ or Burst Mode® Operation
- High Efficiency: Up to 95%
- R_{SENSE} or DCR Current Sensing
- Programmable DCR Temperature Compensation
- Phase-Lockable Fixed Frequency: 250kHz to 770kHz
- True Remote Sense Differential Amplifier

LTC3829
Actual Size
Demo Board
(DC1675A)



$V_{IN} = 7V$ to $14V$
 $V_{OUT} = 1.5V@120A$
6-Phase Design with 2 LTC3829 ICs



Part Number	V_{IN} Range (V)	V_{OUT} Range (V)	$I_{OUT}^{(1)}$ MAX (A)	I_o (SUPPLY)	Operating Frequency	Package	Number of Channels	Maximum # of Phases	Remote Sense	Tracking	Synchronizable	EXTV _{CC}	DCR Temp Compensation
LTC3856	4.5 to 38	0.6 to 5.5	50 to 300	4mA	250kHz to 770kHz	5x5 QFN-32, TSSOP-38	2	12	✓	✓	✓	✓	✓
LTC3839	4.5 to 38	0.6 to 5.5	40 to 240	3mA	250kHz to 2MHz	5x5 QFN-32	2	12	✓	✓	✓	✓	✓
LTC3829	4.5 to 38	0.6 to 5	75 to 150	4mA	250kHz to 770kHz	5x6 QFN-36	3	6	✓	✓	✓	✓	✓

Additional features

- (A) All parts have differential V_o sensing, shut-down (run) pin, clock input, programmable soft-start and a power good signal
- (B) All parts are peak current mode controllers
- (C) Multiple parts can be paralleled for higher current applications

Notes

- (1) The maximum output current depends on the choice of external components and number of phases
- (2) The operating frequency can be selected within the range indicated
- (3) The maximum 240A can only be developed by paralleling multiple phases

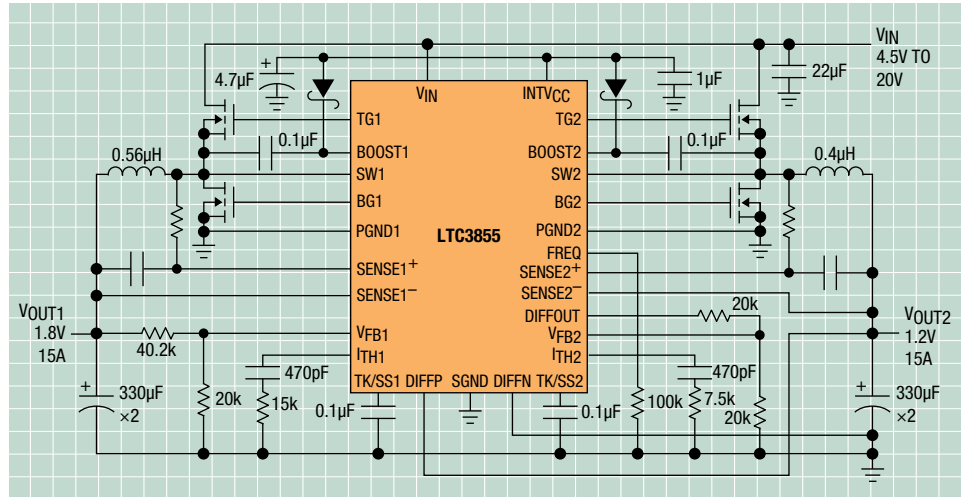
PolyPhase Multiple Output DC/DC Controllers

Linear’s PolyPhase multiple output DC/DC controllers provide up to three high current outputs with up to 95 percent efficiency. Features include multiphase operation, onboard MOSFET drivers, synchronous or nonsynchronous rectification, low quiescent current, tracking, tight V_{REF} accuracy and choice of current sense element. Other options include selectable, synchronizable switching frequency or constant on-time, tracking, along with DrMOS and power block compatibility.

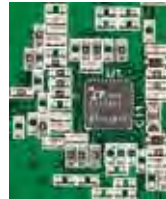
LTC3855 Features

- Dual, 180° Phased Controllers Reduce Required Input Capacitance and Power Supply Induced Noise
- High Efficiency: Up to 95%
- R_{SENSE} or DCR Current Sensing
- Programmable DCR Temperature Compensation
- $\pm 0.75\%$ 0.6V Output Voltage Accuracy
- Phase-Lockable Fixed Frequency 250kHz to 770kHz
- True Remote Sensing Differential Amplifier

LTC3855 Dual Output 2-Phase Synchronous Step-Down Schematic



LTC3855
Actual Size
Demo Board
(DC1441A)



Actual Size
Back

Part Number	V_{IN} Range (V)	V_{OUT} Range (V)	$I_{OUT}^{(1)}$ MAX (A)	I_Q (SUPPLY)	Operating Frequency ⁽²⁾	Package	Number of Outputs	Maximum # of Phases	Remote Sense	Tracking	Synchronizable	EXTV _{CC}	DrMOS/Power Block Compatible	DCR Temp Compensation
LTC3855	4.5 to 38	0.6 to 3.3 (12.5)	25/25	3.5mA	250kHz to 770kHz	6x6 QFN-40, TSSOP-38	2	12	✓	✓	✓	✓		✓
LTC3838	4.5 to 38	0.6 to 5.5	25/25	3mA	250kHz to 2MHz	5x7 QFN-38, TSSOP-38	2	12	✓	✓	✓	✓		
LTC3861	3 to 24	0.6 to 5	40/40	30mA	250kHz to 2.25MHz	5x6 QFN-36	2	12	✓	✓	✓		✓	
LTC3869	4 to 38	0.6 to 12.5	25/25	3mA	250kHz to 780kHz	4x5 QFN-28, SSOP-28	2	2		✓	✓	✓		
LTC3853	4.5 to 24	0.8 to 13.5	25/25/25	4.1mA	250kHz to 750kHz	6x6 QFN-40	3	12		✓	PLL	✓		
LTC3850	4.5 to 28	0.8 to 5.5	25/25	850µA	250kHz to 780kHz	QFN-28, SSOP-28	2	2		✓	PLL	✓		
LTC3736/-1	2.75 to 9.8	0.6 to V_{IN}	5/5	475µA	300kHz to 750kHz	QFN-24, SSOP-24	2	2		✓	PLL			
LT3742	3.5 to 30	0.8 to 30	5/5	5mA	500kHz	QFN-24	2	2		✓				
LTC3736-2	2.75 to 9.8	0.6 to V_{IN}	8/8	300µA	300kHz to 750kHz	QFN-24, SSOP-24	2	2		✓	PLL			
LTC3836	2.75 to 4.5	0.6 to 0.97 V_{IN}	10/10	450µA	250kHz to 850kHz	SSOP-28, QFN-28	2	2		✓	PLL			
LTC3859A	4.5 to 38	0.8 to 24 (Bucks), Up to 60 (Boost)	20/20/10	55µA	50kHz to 900kHz	5x7 QFN-38/TSSOP-38	3	3		✓	PLL	✓		
LTC3890/-1/-2	4 to 60	0.8 to 24	20/20	50µA	50kHz to 900kHz	5x5 QFN-32	2	12		✓	PLL	✓		

Additional features

(A) All parts have a shut-down (run) pin and a power good signal

(B) All parts are synchronous controllers, except the LT3742

(C) All parts have programmable soft-start except the LTC3736

Notes

(1) The maximum output current depends on the choice of external components

(2) The operating frequency can be selected within the range indicated

Boost DC/DC Controllers

Linear Technology offers both synchronous and nonsynchronous boost controllers. Features include optional sense resistor, onboard LDO, 2-phase operation, high power gate drivers, programmable fixed switching frequency and low quiescent current. Efficiencies up to 97 percent can be achieved with synchronous operation.

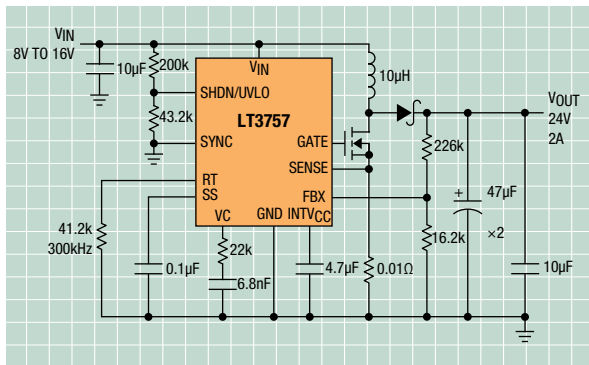
LT3757 Features

- Wide Input Voltage Range: 2.9V to 40V
- Positive or Negative Output Voltage Programming with a Single Feedback Pin

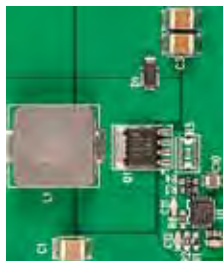
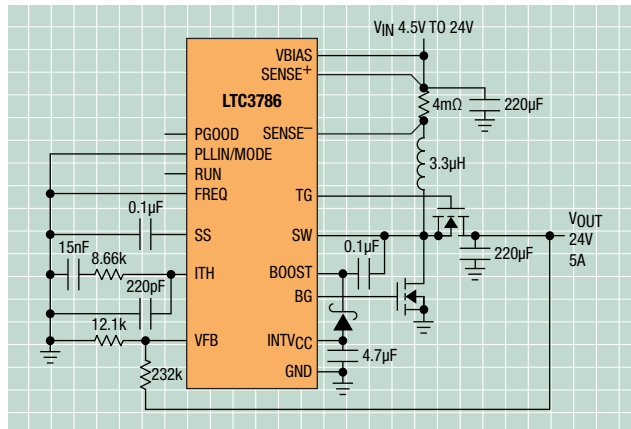
LTC3786 Features

- Synchronous Operation For Highest Efficiency and Reduced Heat Dissipation
- Wide V_{IN} Range: 4.5V to 38V (40V Abs Max) and Operates Down to 2.5V After Start-Up
- Output Voltages Up to 60V
- Low Quiescent Current: 55 μ A

LT3757 Boost Schematic



LTC3786 High Power Synchronous Boost Schematic



LT3757
Actual Size Demo Board
(DC1547A)



LTC3786
Actual Size Demo Board
(DC1641A)

Part Number	V_{IN} Range (V)	$V_{OUT}^{(1)}$ Range (V)	$I_{OUT}^{(1)}$ MAX (A)	Operating Frequency ⁽²⁾	Package	Description
LTC3786	4.5 to 38	Up to 60	10	50kHz to 900kHz	3x3 QFN-16, MSOP-16E	Synchronous Rectification
LT3757	2.9 to 40	3.3 and Higher	5	100kHz to 1MHz	3x3 DFN-10, MSOP-10	Simple Design
LT3758	5.5 to 100	6 and Higher	5	100kHz to 1MHz	3x3 DFN-10, MSOP-10	Simple Design
LT3759	1.6 to 42	2.2 and Higher	5	100kHz to 1MHz	3x3 DFN-10, MSOP-10	Simple Design
LTC1871/-1	2.5 to 36	3.3 and Higher	5	50kHz to 1MHz	MSOP-10	No R_{SENSE} : Burst Mode Operation
LTC1871-7	6 to 36	7 and Higher	5	50kHz to 1MHz	MSOP-10	No R_{SENSE} : Burst Mode Operation
LTC3872	2.75 to 9.8	Up to 60V w/o R_{SENSE} & Higher w/ R_{SENSE}	5	550kHz	SOT-23, 2x3 DFN-8	No R_{SENSE} : Pulse-Skipping at Light Load
LTC1872	2.5 to 9.8	3.3 and Higher	5	550kHz	ThinSOT	Burst Mode Operation
LTC1700	0.9 to 5	1.5 to 6	5	400kHz to 750kHz	MSOP-10	Synchronous Rectification
LTC3813	7 to 0.9 V_{OUT}	8 to 100	10	100kHz to 1MHz	SSOP-28	No R_{SENSE} : Synchronous Rectification

Dual Channel (Multiphase)

LTC3862/-1/-2	4 to 36	5 and Higher	5(60)	75kHz to 500kHz	5x5 QFN-24, SSOP-24	Single Output, up to 12 Phases, Selectable Gate Drive Voltage
LTC3787	4.5 to 38	Up to 60	10(120)	50kHz to 900kHz	4x5 QFN-28, T/SSOP-28	Single Output, up to 12 Phases, Synchronous Rectification
LTC3788	4.5 to 38	Up to 60	10/10	50kHz to 900kHz	5x5 QFN-32, SSOP-28	Dual Output, up to 12 Phases, Synchronous Rectification
LT3782A	6 to 40	7 and Higher	10/10	150kHz to 500kHz	SSOP-28	2-Phase Operation

Notes (1) The maximum voltage and current depend on the choice of external components (2) The frequency can be selected within the range indicated

Synchronous Buck-Boost DC/DC Controllers

High performance 4-switch synchronous buck-boost controllers operate from an input voltage that is above, below or equal to the output voltage. These controllers utilize a single inductor and can deliver efficiencies up to 98 percent.

LT8705 Features

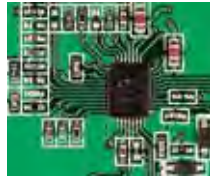
- Single Inductor Allows V_{IN} Above, Below or Equal
- V_{IN} Range 2.8V (Need $EXTV_{CC} > 6.4V$) to 80V
- V_{OUT} Range: 1.3V to 80V
- Quad N-Channel MOSFET Gate Drivers
- Synchronous Rectification: Up to 98% Efficiency

LT8705

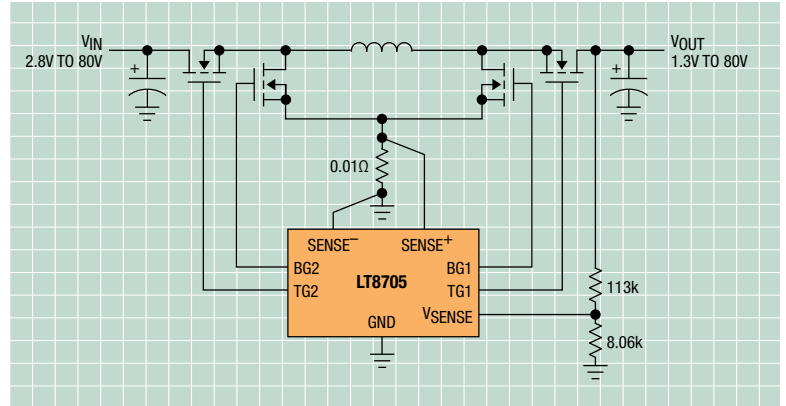
50% Size Demo Board (DC1761A)



Actual Size Back



Simplified Wide Voltage Range Synchronous Buck-Boost Schematic

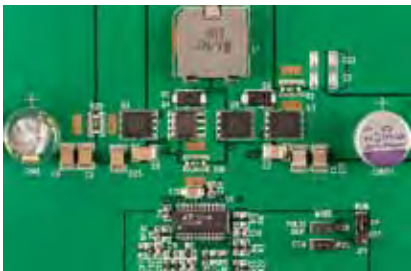


LTC3789 Features

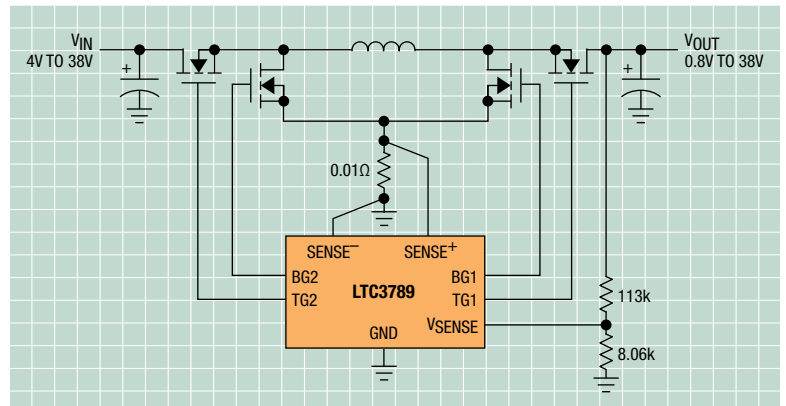
- Single Inductor Architecture Allows V_{IN} Above, Below or Equal to the Regulated V_{OUT}
- Programmable Input or Output Current
- Wide V_{IN} Range: 4V to 38V
- 1% Output Voltage Accuracy: $0.8V < V_{OUT} < 38V$
- Synchronous Rectification: Up to 98% Efficiency
- Current Mode Control

LTC3789

Actual Size Demo Board (DC1523A)



Simplified Synchronous Buck-Boost Schematic



Part Number	V_{IN} Range (V)	V_{OUT} Range (V)	$I_{OUT}^{(1)}$ MAX (A)	Operating Frequency ⁽²⁾	Package	No R_{SENSE}	Synchronizable	Current (I) or Voltage (V) Mode Control	Input/Output Current Monitor	Battery Changing Capability
LTC3785	2.7 to 10	2.7 to 10	10	100kHz to 1MHz	QFN-24	√		V		
LTC3780	4 to 36	0.8 to 30	10	200kHz to 400kHz	5X5 QFN-32, SSOP-24		PLL	I		
LTC3789	4 to 38	0.8 to 38	10	200kHz to 600kHz	4X5 QFN-28, SSOP-28			I		
LT3791-1	4.7 to 60	0 to 60	10	200kHz to 700 kHz	TSSOP-38		√		√	√
LT8705	2.8 to 80	1.3 to 80	10	100kHz to 400kHz	5X7 QFN-38, TSSOP-38			I	√	√

Notes

(1) The maximum voltage and current depend on the choice of external components
 (2) The frequency can be selected within the range indicated

SEPIC DC/DC Controllers

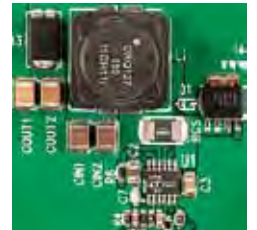
SEPIC converters operate from an input voltage that is above, below or equal to the output voltage and provides output short-circuit protection. The SEPIC provides a simpler solution as compared to synchronous buck-boost controllers, but has a lower efficiency, power density and maximum output current. All of Linear's boost controllers can be designed into a SEPIC converter. Only a select list of parts is shown below. For a complete list visit www.linear.com/LT3759 or contact your local sales office.

LT3759 Features

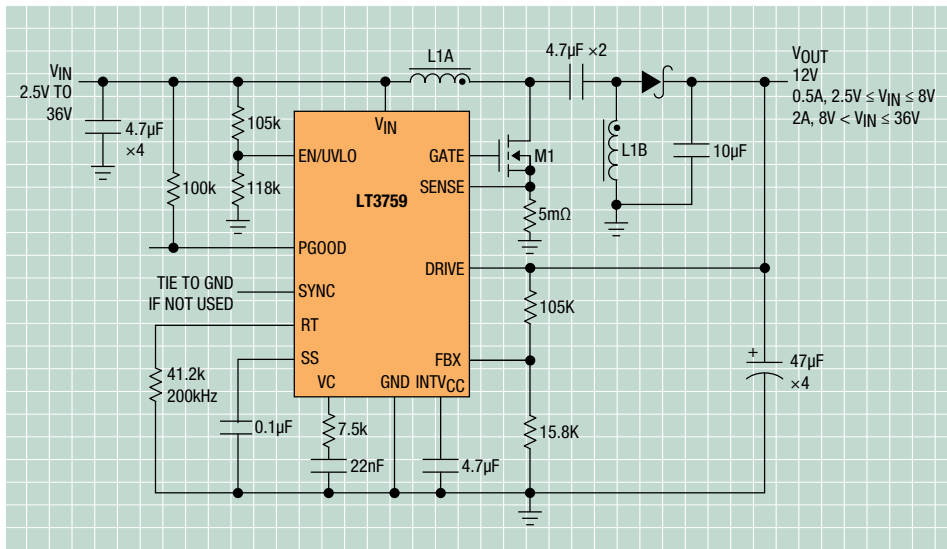
- Wide V_{IN} Range: 1.6V to 42V
- Positive or Negative Output Voltage Programming with a Single Feedback Pin
- PGOOD Output Voltage Status Report

LT3759

Actual Size SEPIC Demo Board (DC1787A)



LT3759 SEPIC Schematic



Part Number	V_{IN} Range (V)	$V_{OUT}^{(1)}$ MAX (V)	Output Current ⁽¹⁾ (A)	Operating Frequency ⁽²⁾	NO R_{SENSE}	I_o (SUPPLY)	Shut-Down Current	Package
LT3757	2.9 to 40	36	3	100kHz to 1MHz		1.6mA	<1µA	3x3 DFN-10/MSOP-10
LT3758	5.5 to 100	75	3	100kHz to 1MHz		1.75mA	<1µA	3x3 DFN-10/MSOP-10
LT3759	1.6 to 42	36	3	100kHz to 1MHz		350µA	<1µA	3x3 DFN-10/MSOP-10
LTC1871/-1	2.5 to 36	30	3	50kHz to 1MHz	✓	250µA	<20µA	MSOP-10
LTC1871-7	6 to 36	30	3	50kHz to 1MHz	✓	250µA	<20µA	MSOP-10
LTC3805/-5	4.7 to 75 ⁽¹⁾	52	3	70kHz to 700kHz		360µA	<20µA	3x3 DFN-10/MSOP-10
LT3844	4 to 60	36	3	100kHz to 600kHz		120µA	<15µA	TSSOP-16E
LT3724	7.4 to 60	36	3	200kHz		80µA	<15µA	TSSOP-16
LT1950	3 to 75 ⁽¹⁾	52	3	100kHz to 500kHz		2.3mA	<20µA	SSOP-16

Notes

- (1) The maximum voltage and current depend on the choice of external components
 (2) The frequency can be selected within the range indicated

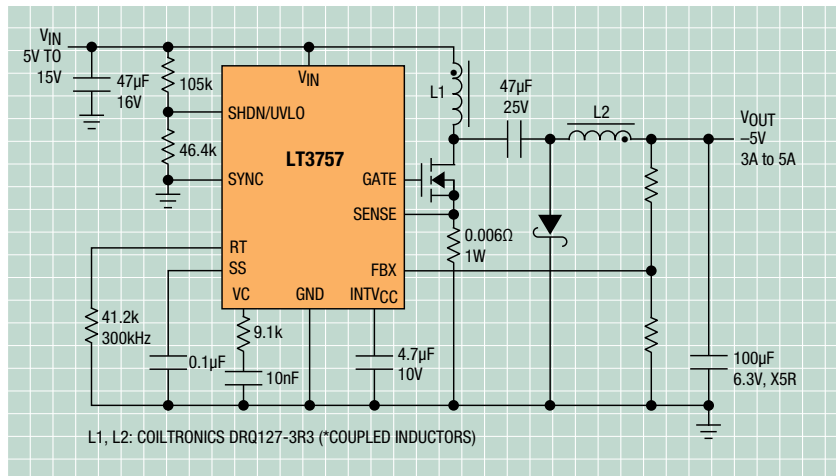
Inverter DC/DC Controllers

Inverting DC/DC controllers convert a positive input voltage to a negative output. Features include optional sense resistor, current mode control, integrated MOSFET driver, undervoltage lockout, selectable operating frequency, low quiescent current and wide input voltage range.

LT3757 Features

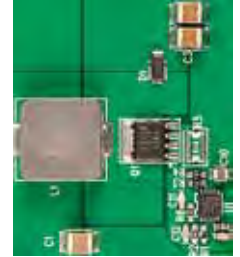
- Wide Input Voltage Range: 2.9V to 40V
- Positive or Negative Output Voltage Programming with a Single Feedback Pin

LT3757 Inverter Schematic



LT3757

Actual Size Demo Board
(DC1548A)



Part Number	V _{IN} Range (V)	V _{OUT} ⁽¹⁾ MAX (V)	I _{OUT} ⁽¹⁾ MAX (A)	Operating Frequency ⁽²⁾	I _Q (SUPPLY)	Package
LT3757	2.9 to 40	-1.23 and Lower	5	100kHz to 1MHz	1.6mA	3x3 DFN-10, MSOP-10
LT3758	5.5 to 100	-1.23 and Lower	5	100kHz to 1MHz	1.75mA	3x3 DFN-10, MSOP-10
LT3759	1.6 to 42	-1.23 and Lower	5	100kHz to 1MHz	350µA	3x3 DFN-10, MSOP-10
LTC3704	2.5 to 36	-1.23 and Lower	5	50kHz to 1MHz	550µA	MSOP-10
LT3724	4 to 60	-1.23 and Lower	10	200kHz	100µA	TSSOP-16E
LT3800	4 to 60	-1.23 and Lower	10	200kHz	80µA	TSSOP-16E
LT3844	4 to 60	-1.23 and Lower	10	100kHz to 600kHz	120µA	TSSOP-16E
LT1952/-1	8 to 75 ⁽¹⁾	-2.5V and Lower	10	100kHz to 500kHz	5.2mA	SSOP-16

Notes

(1) The maximum voltage and current depend on the choice of external components

(2) The frequency can be selected within the range indicated

Flyback Controllers

A flyback converter stores energy in a transformer during the on-time of the power switch and then delivers that energy to the output during the off-time. It is most commonly used when isolation is required from input to output, but can also be used in nonisolated applications. The output power of a flyback may vary from one watt to about 100 watts. A flyback design can operate over wide input voltage, typically up to a 4:1 input range. Its simple design makes it popular for lower power applications.

LT3748 Features

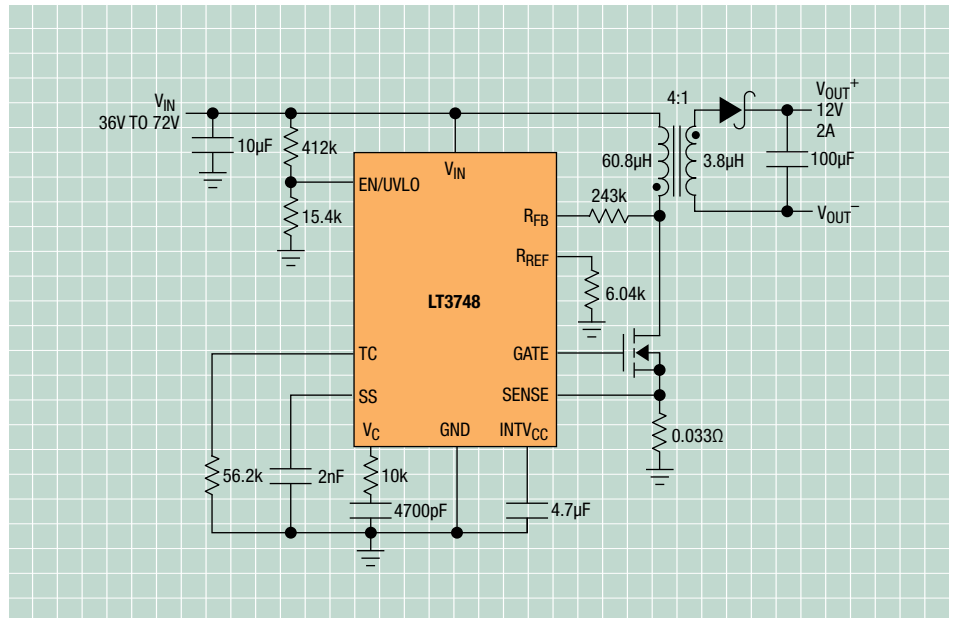
- 5V to 100V Input Voltage Range
- 1.9A Average Gate Drive Source and Sink Current
- Boundary Mode Operation
- No Transformer Third Winding or Opto-Isolator Required for Regulation
- Primary-Side Winding Feedback Load Regulation

LT3748

Actual Size Demo Board (DC1557A)



LT3748 Flyback Schematic



Part Number	V _{IN} Range (V)	V _{OUT} ⁽¹⁾ Min (V)	Output Current ⁽¹⁾ (A)	Synchronous Operation	Operating Frequency ⁽²⁾	I _o (SUPPLY)	Package	Comments
LT3748	5 to 100	1.23	5		Variable	1.3mA	MSOP-16 (12)	No Opto
LT3798	90 to 305VAC ⁽¹⁾	1.23	5		Variable	70µA	MSOP-16E	Off-Line, Active PFC/No Opto
LT3799	90 to 305VAC ⁽¹⁾	1.23	5		Variable	70µA	MSOP-16E	Off-Line, LED Driver w/ Active PFC
LTC3803/-3	9.2 to 75 ⁽¹⁾	0.8	5		200kHz or 300kHz	240µA	SOT-23	Small Footprint
LTC3803-5	5.7 to 75 ⁽¹⁾	0.8	5		200kHz	240µA	SOT-23	Small Footprint
LTC3805	8.8 to 75 ⁽¹⁾	0.8	5		70kHz to 700kHz	360µA	DFN-10, MSOP-10	Synchronizable, Adj Current Limit
LTC3805-5	4.5 to 75 ⁽¹⁾	0.8	5		70kHz to 700kHz	360µA	DFN-10, MSOP-10	Synchronizable, Adj Current Limit
LTC3873	8.8 to 75 ⁽¹⁾	1.2	5		200kHz	360µA	8-Lead SOT, 2x3 DFN-8	Adjustable Current Limit
LTC3873-5	4 to 75 ⁽¹⁾	1.2	5		200kHz	360µA	8-Lead SOT, 2x3 DFN-8	Adjustable Current Limit
LT1725	16 to 75 ⁽¹⁾	1.25	5		50kHz to 250kHz	250µA	SO-16, SSOP-16	No Opto
LT1737	4.5 to 75 ⁽¹⁾	1.23	5		50kHz to 250kHz	10mA	SO-16, SSOP-16	No Opto
LT3837	4.5 to 75 ⁽¹⁾	1.23	12	✓	50kHz to 250kHz	6.4mA	TSSOP-16	Higher Output Current
LT3825	16 to 75 ⁽¹⁾	1.23	12	✓	50kHz to 250kHz	400µA	TSSOP-16	Higher Output Current

Notes

(1) The maximum voltage and current depend on the choice of external components

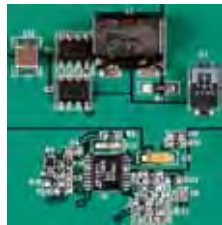
(2) The frequency can be selected within the range indicated

Micropower DC/DC Controllers

Micropower controllers have a very low quiescent current that creates an extremely low power consuming DC/DC converter during no-load or light-load conditions. The parts listed below utilize Burst Mode operation and/or pulse-skipping to reduce light-load power consumption, preserving battery life during standby or idle mode.

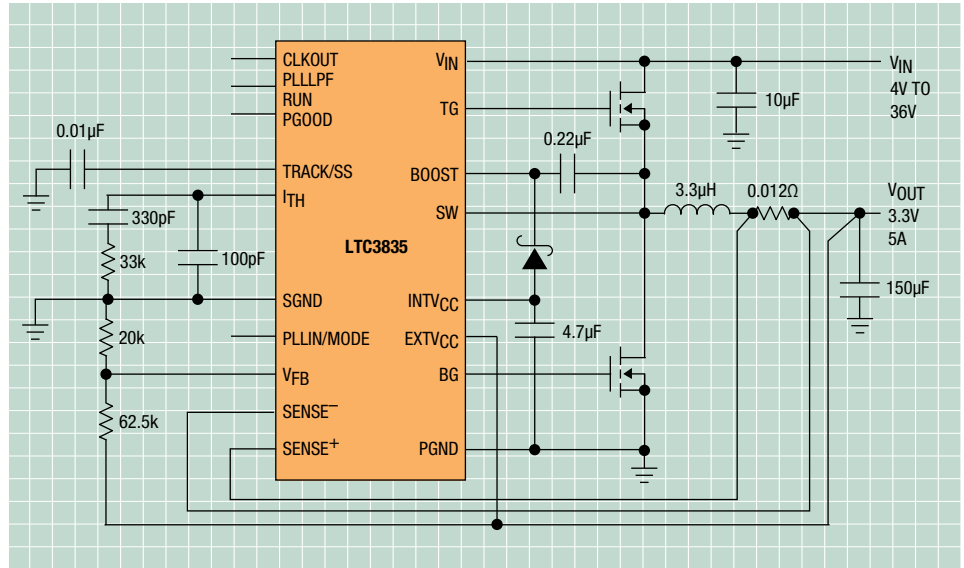
LTC3835 Features

- Wide Output Voltage Range:
 $0.8V \leq V_{OUT} \leq 10V$
- Low Operating Quiescent Current: 80µA
- OPTI-LOOP® Compensation
Minimizes C_{OUT}
- 1% Output Voltage Accuracy
- Wide VIN Range: 4V to 36V Operation
- Phase-Lockable Fixed Frequency
140kHz to 650kHz



LTC3835
Actual Size Demo Board
(DC96713)

LTC3835 Low Quiescent Current Synchronous Step-Down Schematic



Part Number	V _{IN} Range (V)	V _{OUT} Range (V)	I _{OUT} MAX ⁽¹⁾ (A)	Synchronous Operation	Operating Frequency ⁽²⁾	No R _{SENSE}	I _Q (µA) (SUPPLY)	Package	Topology
Single Outputs									
LTC3864	3.5 to 60	0.8 to V _{IN}	5		50kHz to 850kHz		40	3x4 DFN-12, MSOP-12E	Buck
LTC3891	4 to 60	0.8 to 24	20	✓	50 kHz to 900 kHz	✓	50	3 x 4 QFN-20, TSSOP 20	Buck
LTC3834/-1	4 to 36	0.8 to 10V	20	✓	140kHz to 650kHz		30	FE20, 4x5 QFN GN16/3x5 QFN	Buck
LTC3835/-1	4 to 36	0.8 to 10V	20	✓	140kHz to 650kHz		80	FE20, 4x5 QFN GN16/3x5 QFN	Buck
LT3845A	4 to 60	1.23 to 36	20	✓	100kHz to 600kHz		120	TSSOP-16	Buck
LTC3801	2.5 to 9.8	0.8 to V _{IN}	5		550kHz		16	ThinSOT	Buck
LTC3772	2.75 to 9.8	0.8 to V _{IN}	5		550kHz	✓	40	DFN-8, ThinSOT	Buck
LT3724	4 to 60	1.23 to 36	5		200kHz		80	TSSOP-16	Buck, Boost, SEPIC, Inverter
LT3800	4 to 60	1.23 to 36	20	✓	200kHz		80	TSSOP-16	Buck, Inverter
LT3844	4 to 60	1.23 to 36	5		100kHz to 600kHz		120	TSSOP-16	Buck, Boost, SEPIC, Inverter
LTC3872	2.75 to 9.8	Up to 60V w/o R _{SENSE} & Higher w/ R _{SENSE}	5		550kHz	✓	250	ThinSOT, DFN-8	Boost
LTC1871-7	6 to 36	1.23 and Higher	5		50kHz to 1MHz	✓	250	MSOP-10	Boost, Flyback & SEPIC
LTC1871/-1	2.5 to 36	1.23 and Higher	5		50kHz to 1MHz	✓	250	MSOP-10	Boost, Flyback & SEPIC
LT3739	1.6 to 42	1.23 and Higher	5		50kHz to 1MHz		350	3x3 DFN-10, MSOP-10	Boost, SEPIC, Inverter
Dual/Triple Outputs									
LTC3890/-1/-2	4 to 60	0.8 to 24	20/20	✓	50 kHz to 900 kHz	✓	50	5x5 QFN-32	Dual Buck
LTC3857	4 to 38	0.8 to 24	25/25	✓	50kHz to 900kHz	✓	50	5x5 QFN-32, SSOP-28	Dual Buck
LTC3858	4 to 38	0.8 to 24	25/25	✓	50kHz to 900kHz	✓	170	5x5 QFN-32, 4x5 QFN-28, SSOP-28	Dual Buck
LTC3859AL	4.5 to 38	0.8 to 24/60	25/25/10	✓	50kHz to 900kHz	✓	27	5x7 QFN-38, TSSOP-38	Buck/Buck/Boost
LTC3826/-1	4 to 36	0.8 to 10	20/20	✓	140kHz to 650kHz	✓	30	5x5 QFN-32/SSOP-28	Dual Buck

Notes

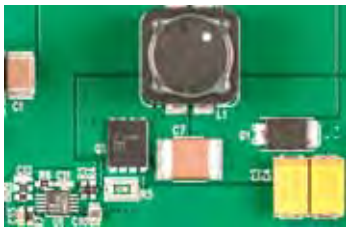
- (1) The maximum output current depends on the choice of external components
- (2) The frequency can be selected within the range indicated

Multiple Topology DC/DC Controllers

Linear offers DC/DC controllers that can be used in multiple converter topologies including buck, boost, flyback, forward, inverter and SEPIC. Features include a wide input voltage range, low quiescent current, single and dual outputs, selectable operating frequency, optional sense resistor and onboard MOSFET gate driver.

LT3758 Features

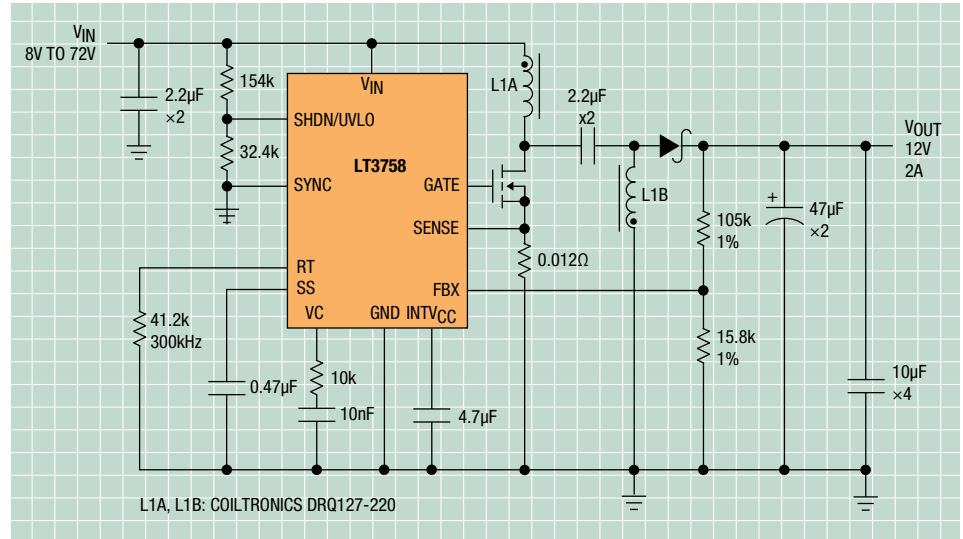
- Wide Input Voltage Range: 5.5V to 100V
- Positive or Negative Output Voltage Programming with a Single Feedback Pin



LT3758

Actual Size Demo Board (DC1342A)

LT3758 High Voltage SEPIC Schematic



Part Number	V _{IN} Range (V)	V _{REF} (V)	I _Q (µA) (SUPPLY)	Operating Frequency ⁽²⁾	Package	No R _{SENSE}	Buck	Boost	Flyback	Forward	Inverter	SEPIC
LT3757	2.9 to 40	1.6/-0.8	1.6mA	100kHz to 1MHz	3x3 DFN-10, MSOP-10			✓	✓		✓	✓
LT3758	5.5 to 100	1.6/-0.8	1.75mA	100kHz to 1MHz	3x3 DFN-10, MSOP-10			✓	✓		✓	✓
LT3759	1.6 to 42	1.6/-0.8	350	100kHz to 1MHz	3x3 DFN-10, MSOP-10			✓			✓	✓
LT1950	3 to 25	1.23	2.3mA	100kHz to 500kHz	SSOP-16			✓	✓	✓		✓
LTC1871-7	6 to 36	1.23	250	50kHz to 1MHz	MSOP-10	✓		✓	✓			✓
LTC1871-1	2.5 to 36	1.23	250	50kHz to 1MHz	MSOP-10	✓		✓	✓			✓
LT3724	7.5 to 60	1.23	80	200kHz	TSSOP-16		✓	✓			✓	✓
LTC3703-5	4.1 to 60	0.8	1.7mA	100kHz to 600kHz	SSOP-16, SSOP-28		✓	✓				
LT3844	4 to 60	1.23	120	100kHz to 600kHz	TSSOP-16E		✓	✓			✓	✓
LTC3803/-3	9 to 75 ⁽¹⁾	0.8	240	200kHz	ThinSOT			✓	✓		✓	✓
LTC3803-5	5 to 75 ⁽¹⁾	0.8	240	200kHz	ThinSOT			✓	✓		✓	✓
LTC3805	8.8 to 75 ⁽¹⁾	0.8	360	70kHz to 700kHz	DFN-10, MSOP-10			✓	✓		✓	✓
LTC3805-5	4.5 to 75 ⁽¹⁾	0.8	360	70kHz to 700kHz	DFN-10, MSOP-10			✓	✓		✓	✓
LTC3873	8.8 to 75 ⁽¹⁾	1.2	360	200kHz	ThinSOT, DFN-8			✓	✓		✓	✓
LTC3873-5	4 to 75 ⁽¹⁾	1.2	360	200kHz	ThinSOT, DFN-8			✓	✓		✓	✓
LT1952/-1	8 to 75 ⁽¹⁾	1.23	5.2mA	100k to 500kHz	SSOP-16			✓		✓	✓	✓
LTC3703	9.3 to 100	0.8	1.7mA	100kHz to 600kHz	SSOP-16, SSOP-28		✓	✓				

Notes

(1) The maximum voltage depends on the choice of external components
 (2) The frequency can be selected within the range indicated

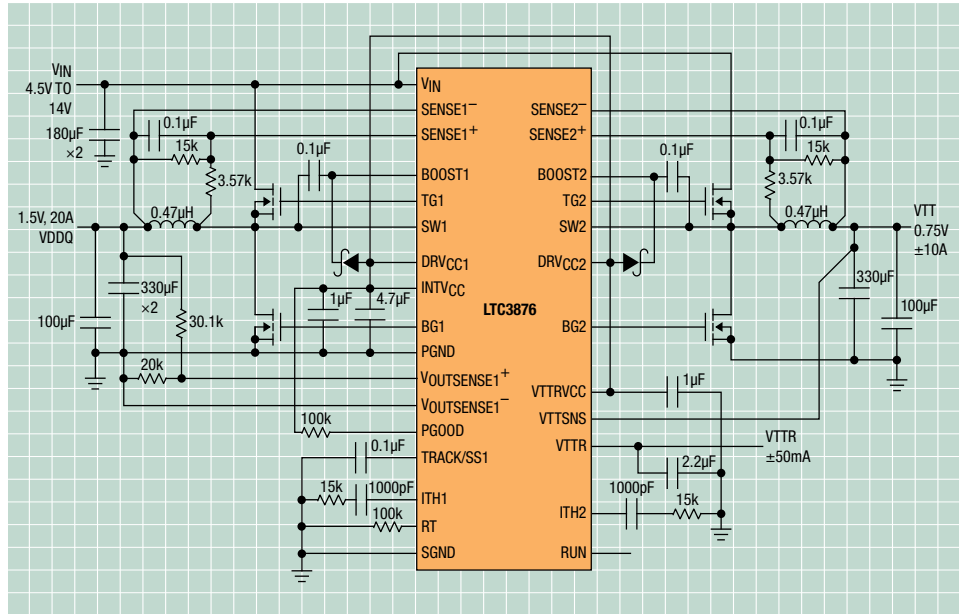
DDR/QDR Memory Termination DC/DC Controllers

DDR (Double Data Rate)/QDR (Quad Data Rate) termination applications require that V_{OUT2} (V_{TT}) is always 1/2 of V_{REF} (which is usually V_{OUT1} or V_{DDQ}). Features include dual and single outputs, onboard MOSFET drivers, synchronous rectification, low quiescent current, tracking, tight V_{REF} accuracy, current mode or voltage mode control, spread spectrum, and no need for a current sense resistor.

LTC3876 Features

- Complete DDR Power Solution with VTT Reference
- Wide V_{IN} Range: 4.5V to 38V, VDDQ: 1V to 2.5V
- $\pm 0.67\%$ VDDQ Output Voltage Accuracy
- VDDQ and VTT Termination Controllers
- $\pm 1.2\% \pm 50\text{mA}$ Linear VTTR Reference Output
- Controlled On-Time, Valley Current Mode Control
- Frequency Programmable from 200kHz to 2MHz
- Synchronizable to External Clock
- $t_{ON(MIN)} = 30\text{ns}$, $t_{OFF(MIN)} = 90\text{ns}$

LTC3876 DDR Triple Output Synchronous Step-Down Schematic



LTC3876
Actual Size Demo Board
(DC1631A)



Actual Size Back

Part Number	V_{IN} Range (V)	VDDQ Range (V)	VTT Range (V)	VTTR Range (V)	$I_{OUT}^{(1)}$ MAX (A)	Operating Frequency ⁽²⁾	Package	Spread Spectrum	No Rsense	Tracking	Synchronizable	Current (I) or Voltage (V) Mode
LTC3876	4.5 to 38	1.25 to 2.5	0.5 to 1.25	0.5 to 1.25	25/±25/±0.50	200kHz to 2MHz	5x7 QFN-38, TSSOP-38		✓	✓	✓	I
LTC3776	2.75 to 9.8	0.6 to V_{IN}	VDDQ/2	NA	6/±6	300kHz to 750kHz	QFN-24, SSOP-24	✓	✓	✓	PLL	I
LTC3831	3 to 8	NA	1.25 to $0.91V_{IN}$	NA	±15	100kHz to 500kHz	SSOP-16		✓		✓	V
LTC3831-1	3 to 8	NA	0.40 to $0.91V_{IN}$	NA	±15	100kHz to 500kHz	SSOP-16		✓		✓	V
LTC3718	1.5 to 36	NA	0.75 to $V_{REF}/2$	NA	±20	200kHz to 1.5MHz	SSOP-24		✓			I
LTC3717/-1	4 to 36	NA	0.75 to $V_{REF}/2$	NA	±20	200kHz to 1.5MHz	SSOP-16		✓			I

Additional features

(1) All parts have synchronous rectification and use the MOSFET $R_{DS(ON)}$ for current sense

Notes

(1) The maximum output current depends on the choice of external components

(2) The operating frequency can be selected within the range indicated

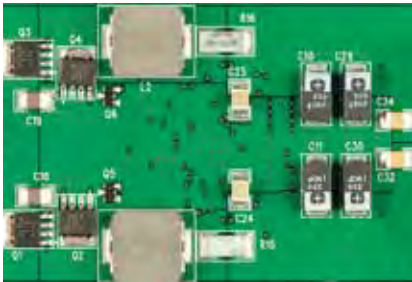
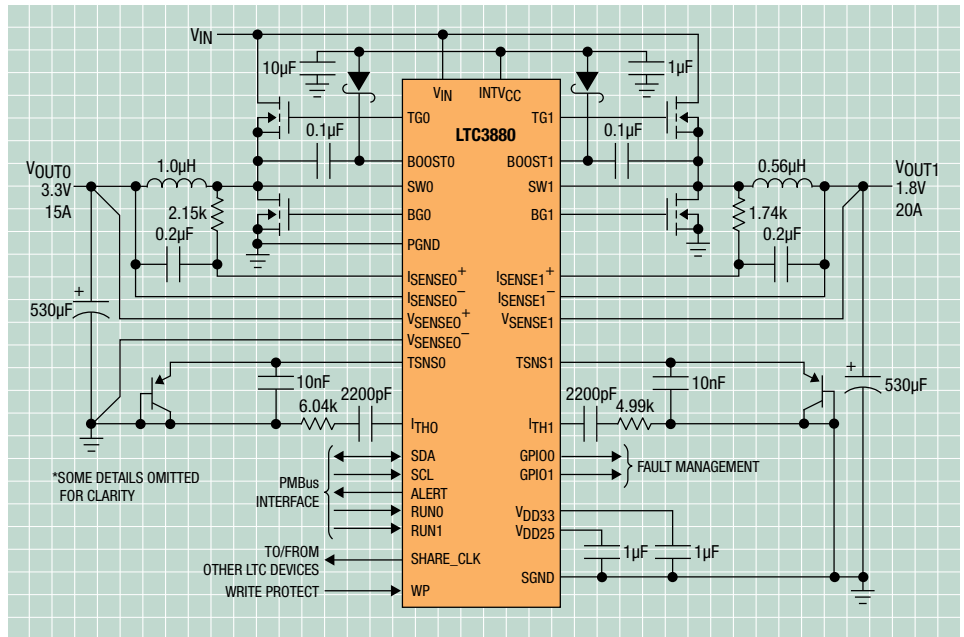
Digital Power System Management

Digital power system management provides the capability to autonomously control and supervise dozens of voltages, as well as to provide accurate information about the power system using LTpowerPlay™ software. These controllers have onboard data acquisition system, nonvolatile memory and a PMBus interface for real-time reporting and control of point-of-load (POL) applications. Power management monitoring and control parameters include current, voltage, operating frequency and temperature. Power supply sequencing, margining and supervisory levels are easily programmed via the PMBus interface and provide POL fault detection reporting.

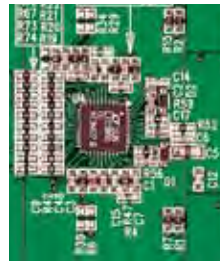
LTC3880 Features

- PMBus/I²C Compliant Serial Interface
 - Telemetry Read Back Includes V_{IN} , I_{IN} , V_{OUT} , I_{OUT} , Temperature and Faults
 - Programmable Voltage, Current Limit, Digital Soft-Start/Stop, Sequencing, Margining, OV/UV and Frequency Synchronization (250kHz to 1MHz)
- ±0.5% Output Voltage Accuracy over Temperature
- Integrated 16-Bit ADC
- Internal EEPROM and Fault Logging
- Integrated Powerful N-Channel MOSFET Gate Drivers
- LTpowerPlay Configuration and Development Tool

LTC3880 Digital Control/Telemetry Synchronous Step-Down Schematic



LTC3880
Actual Size Demo Board
(DC1590B-B)



Actual Size Back

Part Number	Function	Number of Outputs	V_{IN} Range (V)	I/O	ADC	DAC	Control/Monitoring Functions	Package
LTC3883	Step-Down Regulator with I ² C-based PMBus Compliant Serial Interfact	1	4.5 to 24	PMBus/SMBus/I ² C	16-bit	12-bit	V_{IN} , I_{IN} , V_{OUT} , I_{OUT} , Temperatures and Faults	QFN-32
LTC3880	Step-Down Regulator with I ² C-based PMBus Compliant Serial Interfact	2	4.5 to 24	PMBus/SMBus/I ² C	16-bit	12-bit	V_{IN} , V_{OUT} , I_{OUT} , Temperatures and Faults	QFN-40
LTC2978	Octal, Digital Power-Supply Monitor, Supervisor, Sequencer, and Margin Controller	8	3.3 to 15	PMBus/SMBus/I ² C	16-bit	10-bit	V_{IN} , V_{OUT} , I_{OUT} , Temperatures and Faults	QFN-64
LTC2974	Quad, Digital Power-Supply Monitor, Supervisor, Sequencer, and Margin Controller	4	3.3 to 15	PMBus/SMBus/I ² C	16-bit	10-bit	V_{IN} , V_{OUT} , I_{OUT} , Temperatures and Faults	QFN-64
LTC2970 ⁽¹⁾	Dual Power Supply Monitor and Margining Controller with SMBus Compatible I ² C Interface	1	5 to 15	SMBus/I ² C	14-bit	8-bit	V_{IN} , V_{OUT} , I_{OUT} , Temperatures and Faults	QFN-24

Note
(1) All parts have onboard nonvolatile memory except LTC2970

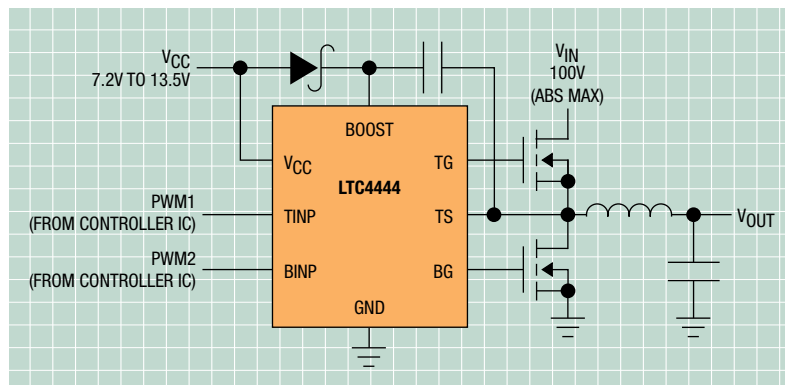
High Speed MOSFET Drivers

Linear Technology offers several types of high speed MOSFET drivers with features that include low and high side driving, single or dual outputs, inverting or noninverting, and a wide range of voltage applications.

LTC4444 Features

- Bootstrap Supply Voltage to 114V
- Wide V_{CC} Voltage: 7.2V to 13.5V
- Adaptive Shoot-Through Protection
- 2.5A Peak TG Pull-Up Current
- 3A Peak BG Pull-Up Current
- 1.2 Ω TG Driver Pull-Down
- 0.55 Ω BG Driver Pull-Down
- 5ns TG Fall Time Driving 1nF Load
- 8ns TG Rise Time Driving 1nF Load
- 3ns BG Fall Time Driving 1nF Load
- 6ns BG Rise Time Driving 1nF Load

LTC4444 Low Quiescent Current Synchronous Step-Down Regulator



Part Number	V_{CC} Input Range (V)	Maximum V_{IN} Voltage (V)	Maximum Output Current/Ohms Source/Sink	Rise/Fall Time (ns)	Prop Delay (ns)	I_Q (μ A) (SUPPLY)	Package	Description
LTC4442/-1	6 to 9.5	38	2.4A/5A	12/8/12/8 ⁽²⁾	20/12/20/12	730	MSOP-8E	Synchronous
LTC4444/-5	7.2/4.5 to 15	100	2.5A/2.5A	10/7/10/5 ⁽¹⁾	30/30/18/15	350	MSOP-8E	Synchronous
LTC4446	7.2 to 13.5	100	2.5A/2.5A	8/5/6/3 ⁽¹⁾	30/30/18/15	350	MSOP-8E	Synchronous
LTC4449	4 to 6.5	38	3.2A/2.4A	8/7/7/4 ⁽¹⁾	14/13/13/11	300	2x3 DFN-8	Synchronous
LTC4441	5 to 24	28	6A/6A	13/8 ⁽³⁾	30/36	250	MSOP-10, SO-8	Low-Side
LTC4440	7.3 to 15	80, 100pk	2.4A/1.5 Ω	10/7 ⁽¹⁾	30/28	250	MSOP-10, SO-8	High Side, High Voltage
LTC4440-5	3.65 to 15	60, 80pk	1.1A/1.85 Ω	10/7 ⁽¹⁾	35/33	200	MSOP-8E, SOT-23	High Side, High Voltage
LTC1693-1	4.5 to 13.2	14V	1.4A/1.7A	17.5/16.5 ⁽¹⁾	38/32	730	SO-8	Dual N-Chnl both Noninverting
LTC1693-2	4.5 to 13.2	14V	1.4A/1.7A	17.5/16.5 ⁽¹⁾	38/32	730	SO-8	Dual N-Chnl 1 Noninverting, 1 Inverting
LTC1693-3	4.5 to 13.2	14V	1.4A/1.7A	17.5/16.5 ⁽¹⁾	38/32	730	MSOP-8	Single with Output pPolarity Select
LTC1693-5	4.5 to 13.2	14V	1.4A/1.7A	17.5/16.5 ⁽¹⁾	38/32	360	MSOP-8	Single P-Chnl

Notes

- (1) 1nF capacitive load
- (2) 3nF capacitive load
- (3) 4.7nF capacitive load

Sales Offices

NORTH AMERICA

NORTHERN CALIFORNIA / NEVADA

Bay Area

720 Sycamore Dr.
Milpitas, CA 95035
Tel: (408) 428-2050
Fax: (408) 432-6331

Sacramento / Nevada

2260 Douglas Blvd., Ste. 280
Roseville, CA 95661
Tel: (916) 787-5210
Fax: (916) 787-0110

PACIFIC NORTHWEST

Denver

7007 Winchester Cir., Ste. 130
Boulder, CO 80301
Tel: (303) 926-0002
Fax: (303) 530-1477

Portland

5005 SW Meadows Rd., Ste. 410
Lake Oswego, OR 97035
Tel: (503) 520-9930
Fax: (503) 520-9929

Salt Lake City

Tel: (801) 731-8008

Seattle

2018 156th Ave. NE, Ste. 100
Bellevue, WA 98007
Tel: (425) 748-5010
Fax: (425) 748-5009

SOUTHWEST AREA

Los Angeles

11300 W. Olympic Blvd., Ste. 700
Los Angeles, CA 90064
Tel: (818) 703-0835
Fax: (818) 703-0517

Orange County

7595 Irvine Center Dr., Ste. 120
Irvine, CA 92618
Tel: (949) 453-4650
Fax: (949) 453-4765

Phoenix

2085 E. Technology Cir., Ste. 101
Tempe, AZ 85284
Tel: (480) 777-1600
Fax: (480) 838-1104

San Diego

5090 Shoreham Place, Ste. 110
San Diego, CA 92122
Tel: (858) 638-7131
Fax: (858) 638-7231

CENTRAL AREA

Chicago

2040 E. Algonquin Rd., Ste. 512
Schaumburg, IL 60173
Tel: (847) 925-0860
Fax: (847) 925-0878

Cleveland

7550 Lucerne Dr., Ste. 106
Middleburg Heights, OH 44130
Tel: (440) 239-0817
Fax: (440) 239-1466

Columbus

Tel: (614) 488-4466

Detroit

39111 West Six Mile Road
Livonia, MI 48152
Tel: (734) 779-1657
Fax: (734) 779-1658

Indiana

Tel: (847) 925-0860

Iowa

Tel: (847) 925-0860

Kansas

Tel: (913) 829-8844

Minneapolis

7805 Telegraph Rd., Ste. 225
Bloomington, MN 55438
Tel: (952) 903-0605

Wisconsin

Tel: (262) 697-5001

NORTHEAST AREA

Boston

15 Research Place
North Chelmsford, MA 01863
Tel: (978) 656-4750
Fax: (978) 656-4760

Connecticut

Tel: (860) 228-4104

New York

Tel: (978) 656-4750

Philadelphia

3220 Tillman Dr., Ste. 120
Bensalem, PA 19020
Tel: (215) 638-9667
Fax: (215) 638-9764

SOUTHEAST AREA

Atlanta

Tel: (770) 888-8137

Austin

8500 N. Mopac, Ste. 603
Austin, TX 78759
Tel: (512) 795-8000
Fax: (512) 795-0491

Dallas

2301 W. Plano Pkwy., Ste. 109
Plano, TX 75075
Tel: (972) 733-3071
Fax: (972) 380-5138

Fort Lauderdale

Tel: (954) 473-1212

Houston

1080 W. Sam Houston Pkwy.,
Ste. 225
Houston, TX 77043
Tel: (713) 463-5001
Fax: (713) 463-5009

Huntsville

Tel: (256) 881-9850

Orlando

Tel: (407) 688-7616

Raleigh

15100 Weston Pkwy., Ste. 202
Cary, NC 27513
Tel: (919) 677-0066
Fax: (919) 678-0041

Tampa

Tel: (813) 634-9434

CANADA

Calgary, AB

Tel: (403) 455-3577

Montreal, QC

Tel: (450) 689-2660

Ottawa, ON

Tel: (613) 680-3473

Toronto, ON

Tel: (440) 239-0817

Vancouver, BC

Tel: (604) 729-1204

ASIA

AUSTRALIA / NEW ZEALAND

Linear Technology Corporation

133 Alexander Street
Crows Nest NSW 2065
Australia
Tel: +61 (0)2 9432 7803
Fax: +61 (0)2 9439 2738

CHINA

Linear Technology Corp. Ltd.

Units 1503-04, Metroplaza Tower 2
223 Hing Fong Road
Kwai Fong, N.T., Hong Kong
Tel: +852 2428-0303
Fax: +852 2348-0885

Linear Technology Corp. Ltd.

Room 2701, City Gateway
No. 398 Cao Xi North Road
Shanghai, China 200030
Tel: +86 (21) 6375-9478
Fax: +86 (21) 5465-5918

Linear Technology Corp. Ltd.

Room 816, 8/F
China Electronics Plaza B
No. 3 Dan Ling Rd., Hai Dian
District
Beijing, China 100080
Tel: +86 (10) 6801-1080
Fax: +86 (10) 6805-4030

Linear Technology Corp. Ltd.

Room 2604, 26/F
Excellence Times Square Building
4068 YiTian Road, Futian District
Shenzhen, China 518048
Tel: +86 755-2360-4866
Fax: +86 755-2360-4966

Linear Technology Corp. Ltd.

Room 1805, Tower A
Optics Valley International Plaza
No. 889 Luoyu Rd.,
Wuchang District
Wuhan, China 430074
Tel: +86 027-8665 9231
Fax: +86 027-8665 9241

Linear Technology Corp. Ltd.

Unit 08, 11/F
Jinjiang International
Office Building
No. 1 Linjiang West Rd.,
Chengdu City
Sichuan Province, China 610041
Tel: +86 028-8555 9725
Fax: +86 028-8542 6859

Linear Technology Corp. Ltd.

Room 10905, Tower B,
City Gateway
No. 1 Jinye Road
High-Tech Develop Industry Zone
Xian, Shaanxi Province, China
710065
Tel: +86 029-6851 8978 / 6851
8979
Fax: +86 029-6851 8976

INDIA

Linear Technology Semiconductor

India Pvt. Ltd.
602, 6th Floor, Prestige Meridian-1
No. 29, MG Road, Bangalore
560001
India
Tel: +91 80 4012-4610
Fax: +91 80 4012-4612

JAPAN

Linear Technology KK

8F Shuwa Kioicho Park Bldg.
3-6 Kioicho Chiyoda-ku
Tokyo, 102-0094, Japan
Tel: +81 (3) 5226-7291
Fax: +81 (3) 5226-0268

Linear Technology KK

6F Kearny Place Honmachi Bldg.
1-6-13 Awaza, Nishi-ku
Osaka-shi, 550-0011, Japan
Tel: +81 (6) 6533-5880
Fax: +81 (6) 6543-2588

Linear Technology KK

7F, Sakuradori Ohtsu KT Bldg.
3-20-22 Marunouchi, Naka-ku
Nagoya-shi, 460-0002, Japan
Tel: +81 (52) 955-0056
Fax: +81 (52) 955-0058

KOREA

Linear Technology Korea Co., Ltd.

Yundang Building, #1002
Samsung-Dong 144-23
Kangnam-Ku, Seoul
135-090 Korea
Tel: +82 (2) 792-1617
Fax: +82 (2) 792-1619

SINGAPORE

Linear Technology Pte. Ltd.

507 Yishun Industrial Park A
Singapore 768734
Tel: +65 6753-2692
Fax: +65 6752-0108

TAIWAN

Linear Technology Corporation

8F-1, 77, Nanking E. Rd., Sec. 3
Taipei, Taiwan
Tel: +886 (2) 2505-2622
Fax: +886 (2) 2516-0702

EUROPE

FINLAND

Linear Technology AB

Teknobulevardi 3-5
P.O. Box 35
FIN-01531 Vantaa
Finland
Tel: +358 (0)46 712 2171
Fax: +358 (0)46 712 2175

Linear Technology AB

Kirkkokatu 31
90100 Oulu
Finland
Tel: +358 (0)46 712 2171
Fax: +358 (0)46 712 2175

FRANCE

Linear Technology S.A.R.L.

Parc Tertiaire Silic
2 Rue de la Couture, BP10217
94518 Rungis Cedex
France
Tel: +33 (1) 56 70 19 90
Fax: +33 (1) 56 70 19 94

GERMANY

Linear Technology GmbH

Osterfeldstrasse 84, Haus C
D-85737 Ismaning
Germany
Tel: +49 (89) 962455-0
Fax: +49 (89) 963147

Linear Technology GmbH

Haselburger Damm 4
D-59387 Ascheberg
Germany
Tel: +49 (2593) 9516-0
Fax: +49 (2593) 951679

Linear Technology GmbH

Jesinger Strasse 65
D-73230 Kirchheim/Teck
Germany
Tel: +49 (0)7021 80770
Fax: +49 (0)7021 807720

ITALY

Linear Technology Italy Srl

Via Torri Bianche, 3
Palazzo Larice
20871 Vimercate (MB)
Italy
Tel: +39 039 596 5080
Fax: +39 039 596 5090

SWEDEN

Linear Technology AB

Electrum 204
Isafjordsgatan 22
SE-164 40 Kista
Sweden
Tel: +46 (8) 623 16 00
Fax: +46 (8) 623 16 50

UNITED KINGDOM

Linear Technology (UK) Ltd.

3 The Listons, Liston Road
Marlow, Buckinghamshire SL7 1FD
United Kingdom
Tel: +44 (1628) 477066
Fax: +44 (1628) 478153



Linear Technology Corporation
1630 McCarthy Blvd. Milpitas, CA 95035-7417 • 408-432-1900 • www.linear.com

