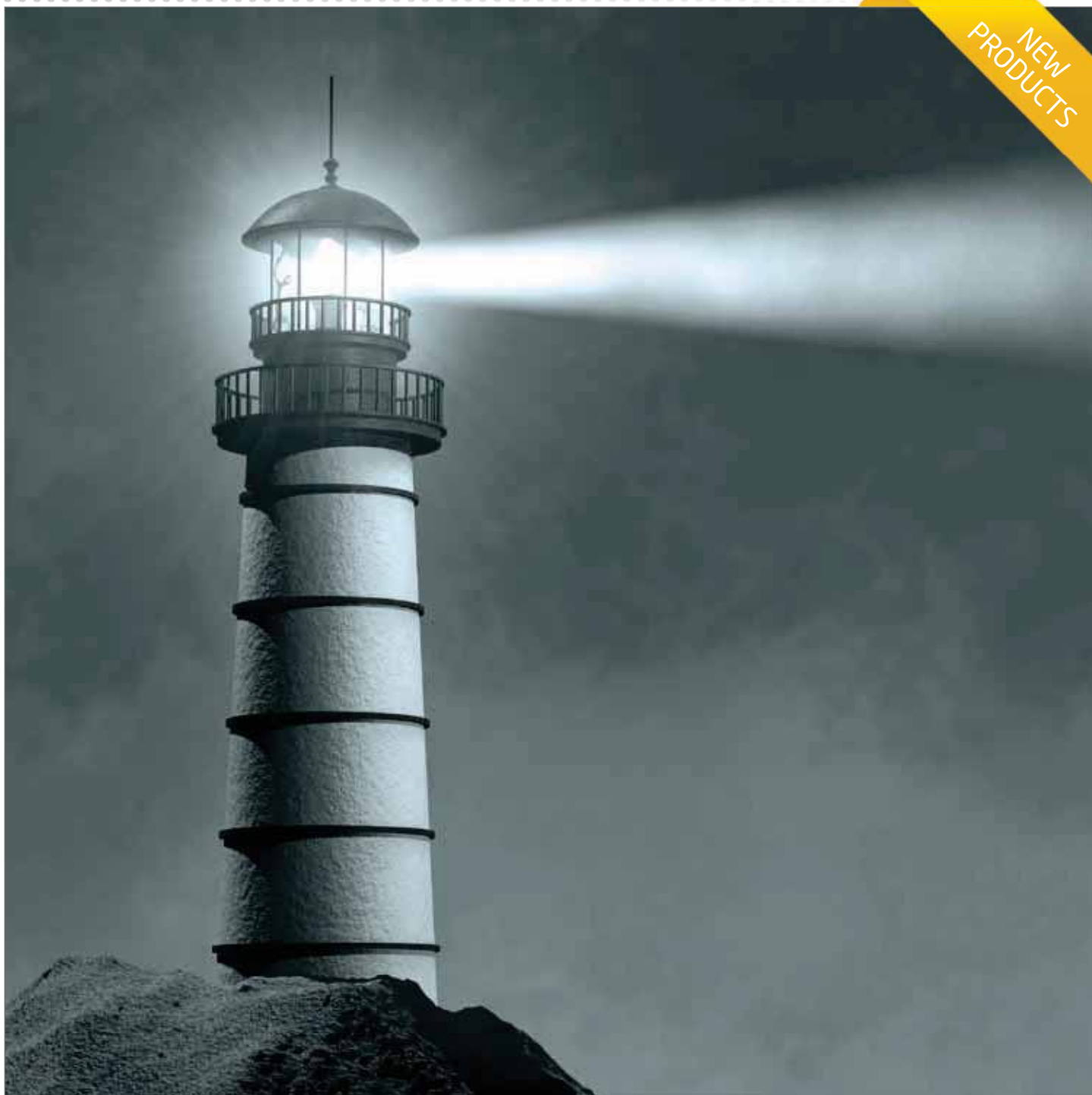


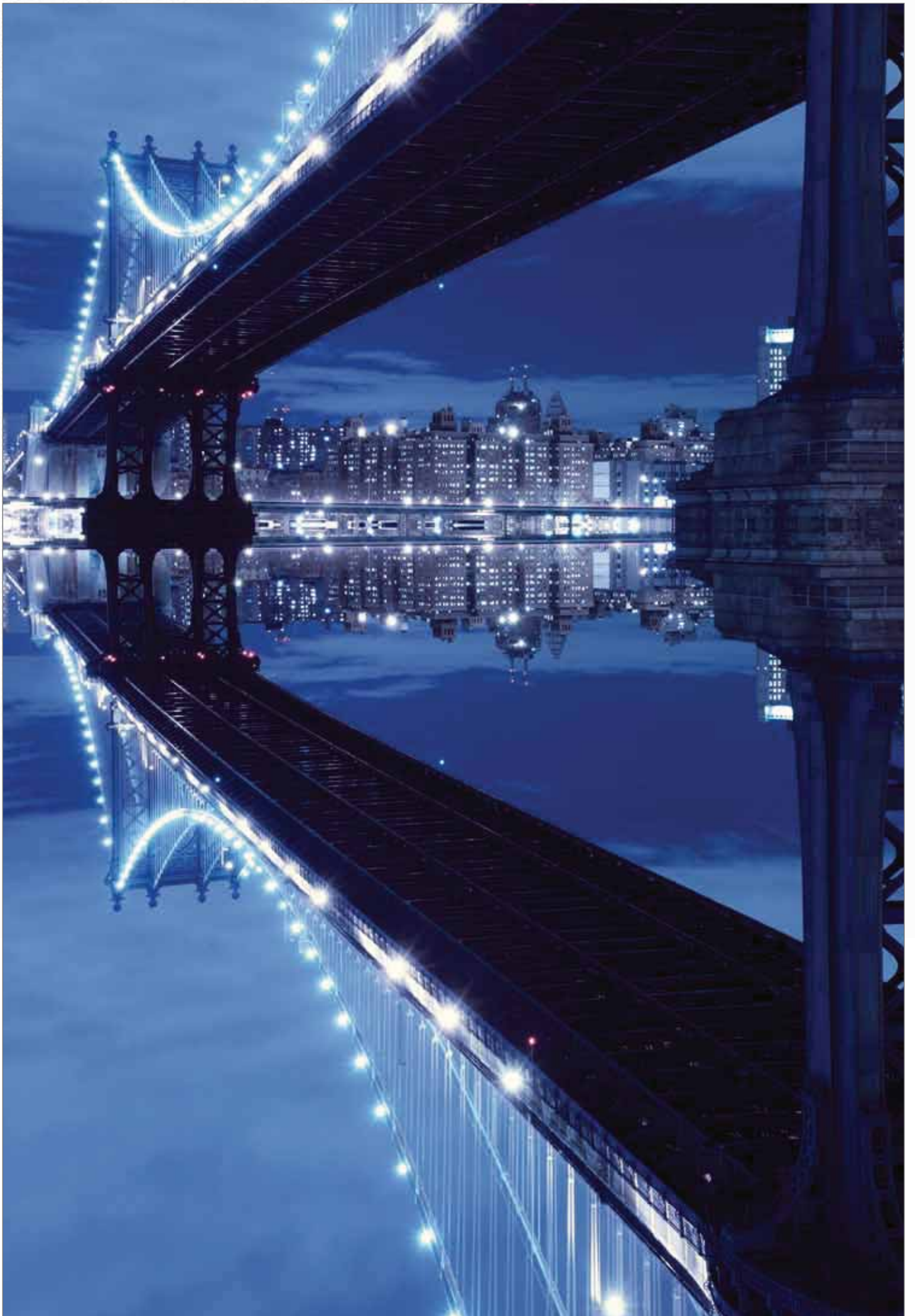
NEW
PRODUCTS



Broaden your horizon and connect with BJB
BJB new products 2012



Your Connection to Light



Contents

Spotlight connectors	4 - 7
Lampholders for GX16t-5	8 - 11
Lampholders for GH76p	12 - 15
Lampholders for PHJ65-d/PHJ85-d	16 - 19
LED Light Engine	20 - 27
LED connectors	
LED boards	
Connectors for Bridgelux	
Connector for OLED with lamp pins	28 - 29
Lampholders for lamp base PGZ18 and PGZX18	30 - 33
General information	34 - 35



Progress in lighting technology. Co-designed by BJB.

Technical innovations have always occurred in the artificial lighting sector. Whether there were improvements or general new technologies concerned, BJB has always been there from the start with solutions for lampholders and connectors. The current challenges in the LED sector have motivated us to-

wards developments with which we can put our views on usability and quality to the test. It is true that LEDs are not just a new light source but LED is also a new understanding of possibilities of light engineering. What comes out of it, the future will show - it will be exciting! With the products and solutions presented in

this brochure, we want to show the user a way to deal easily and flexibly with LED light sources. With components that represent a continuity in their basic function to previously familiar versions: simple installation, reliable electrical connection and the guarantee of interchangeability.

Spotlight connector

This innovation opens up numerous options to the luminaire manufacturer which were previously unavailable in the LED field. For example, the choice of control gear is no longer dependent on the LED manufacturer and it is also possible to equip the same luminaire design with different LED boards.



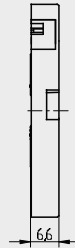
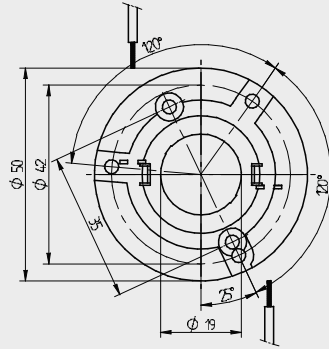
Spotlight
47.319

LED-G-LINE



part no.

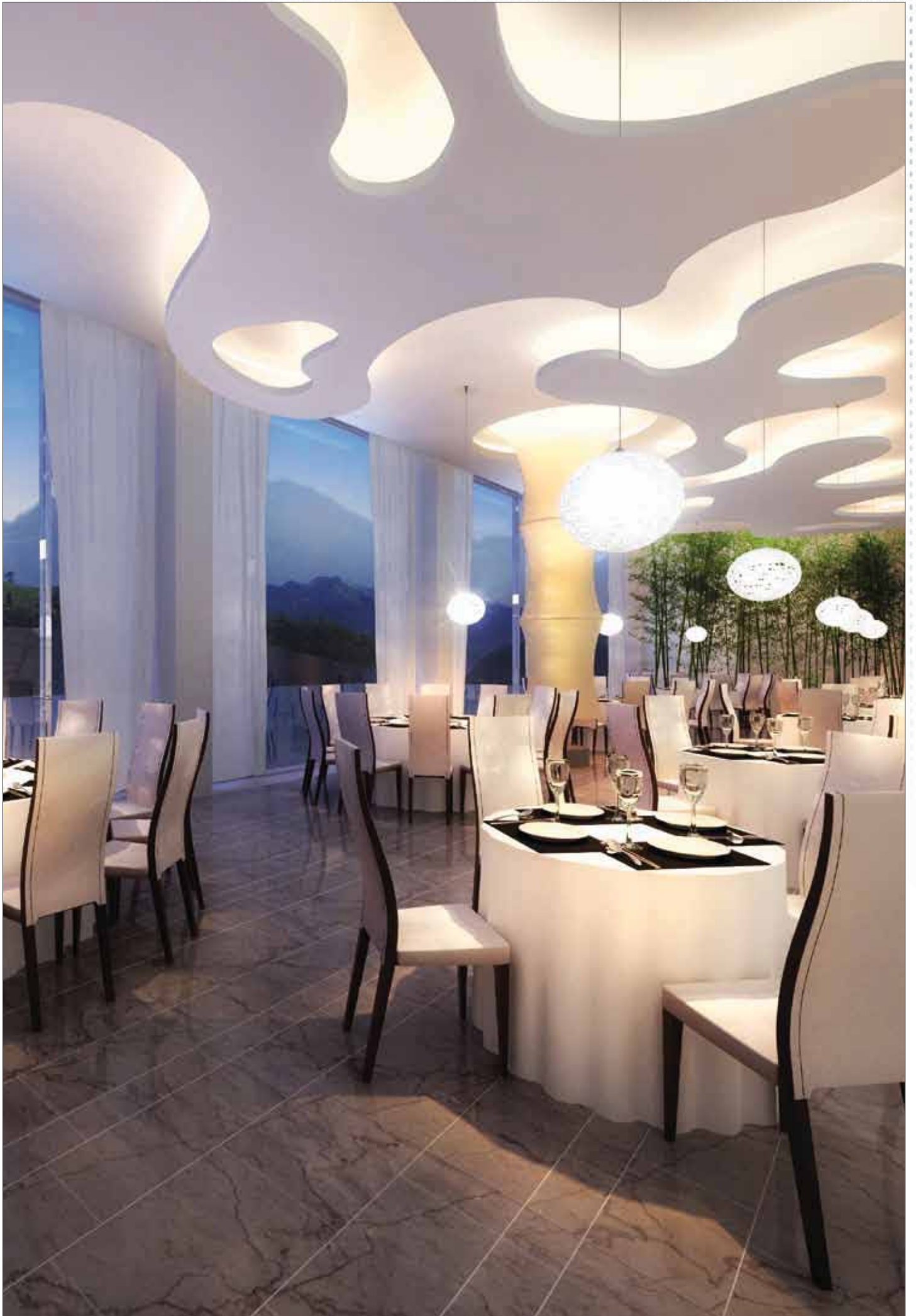
47.319.1901.50



Screw fixing
Housing: PBT

- Standard dimensions and hole pattern
- Screw fixing: for screws M3 or self-tapping screws with \varnothing 3 mm and locking washer
- Max. torque for screw fixing 0.5 Nm
- Polarity of LED must be observed.
- Specification of LED manufacturer must be observed

3 A 150 V	CAD	i
--------------	-----	---





Perfect fit for GX16t-5 LED tubes.

Lampholders for GX16t-5 LED-tubes
IEC-standardisation has been initiated.
Designed for separate driver-electronic
for optimised heat-management. BJB
is the first manufacturer of this lampholder
with production surveillance
certificate VDE-ÜG as well CE certifica-
te of conformity.



28.201



28.202

GX16t-5 Push through lampholders



			<p>pkg. wt. part no. 500 10 g 28.201.2030.50</p> <p>Lamp centre: 30 mm Housing: PBT</p> <p>Rotor: PBT</p> <ul style="list-style-type: none"> • For enclosed cut-outs • A pair of lampholders provides a lamp length tolerance compensation of 3 mm 	
<p>L1-4: Recommended dimension - The distance between the cut-outs and the tolerance should be governed by the dimensions of the respective lamps and luminaires.</p>				
0,5A 120VDC		1 A 250 V		i


			<p>pkg. wt. part no. 500 10 g 28.202.2030.50</p> <p>Lamp centre: 30 mm Housing: PC</p> <ul style="list-style-type: none"> • For enclosed cut-outs • A pair of lampholders provides a lamp length tolerance compensation of 3 mm 	
<p>L1-4: Recommended dimension - The distance between the cut-outs and the tolerance should be governed by the dimensions of the respective lamps and luminaires.</p>				
0,5A 120VDC		1 A 250 V	CAD	i

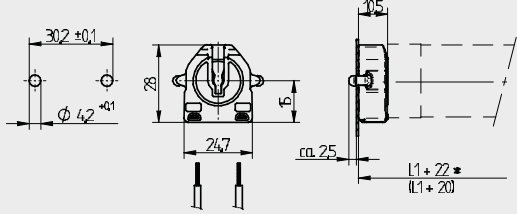
			<p>pkg. wt. part no. 500 5 g 28.202.1002.50</p> <p>Snap in pins with spring</p> <p>Rotor: PBT</p> <p>Lampholder thickness: 10.5 mm</p> <p>Wiring: through the body</p>	
<p>*L1+22: Recommended dimensions is based on use of one lampholder with and one lampholder without spring. L1+24: Recommended dimensions is based on use of two lampholder without spring - The distance between the cut-outs and the tolerance should be governed by the dimensions of the respective lamps and luminaires.</p>				
0,5A 120VDC		1 A 250 V	CAD	i

GX16t-5 End fixing lampholders



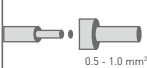
pkg. wt. part no.
500 5 g **28.201.1002.50**





Snap in pins
Housing: PBT
Lampholder thickness: 10.5 mm
Wiring: through the body

*L1+22: Recommended dimensions is based on use of one lampholder with and one lampholder without spring.
L1+20: Recommended dimensions is based on use of two lampholder without spring - The distance between the cut-outs and the tolerance should be governed by the dimensions of the respective lamps and luminaires.




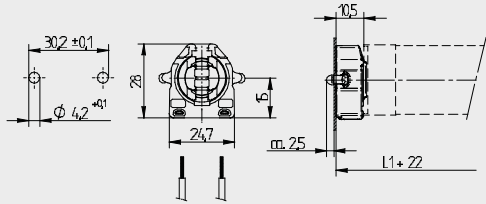
1 A
250 V

CAD

i

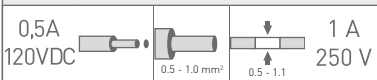
pkg. wt. part no.
500 5 g **28.202.1001.50**





Snap in pins
Housing: PBT
Rotor: PBT
Lampholder thickness: 10.5 mm
Wiring: through the body

L1+22: Recommended dimension - The distance between the cut-outs and the tolerance should be governed by the dimensions of the respective lamps and luminaires.




0,5A
120VDC

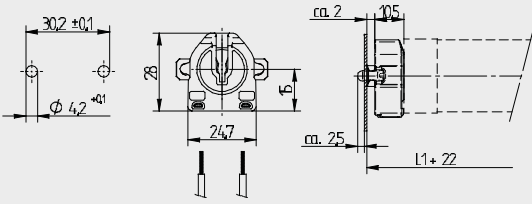
1 A
250 V

90°
CAD

i


pkg. wt. part no.
500 5 g **28.201.1001.50**





Snap in pins with spring
Housing: PBT
Lampholder thickness: 10.5 mm
Wiring: through the body

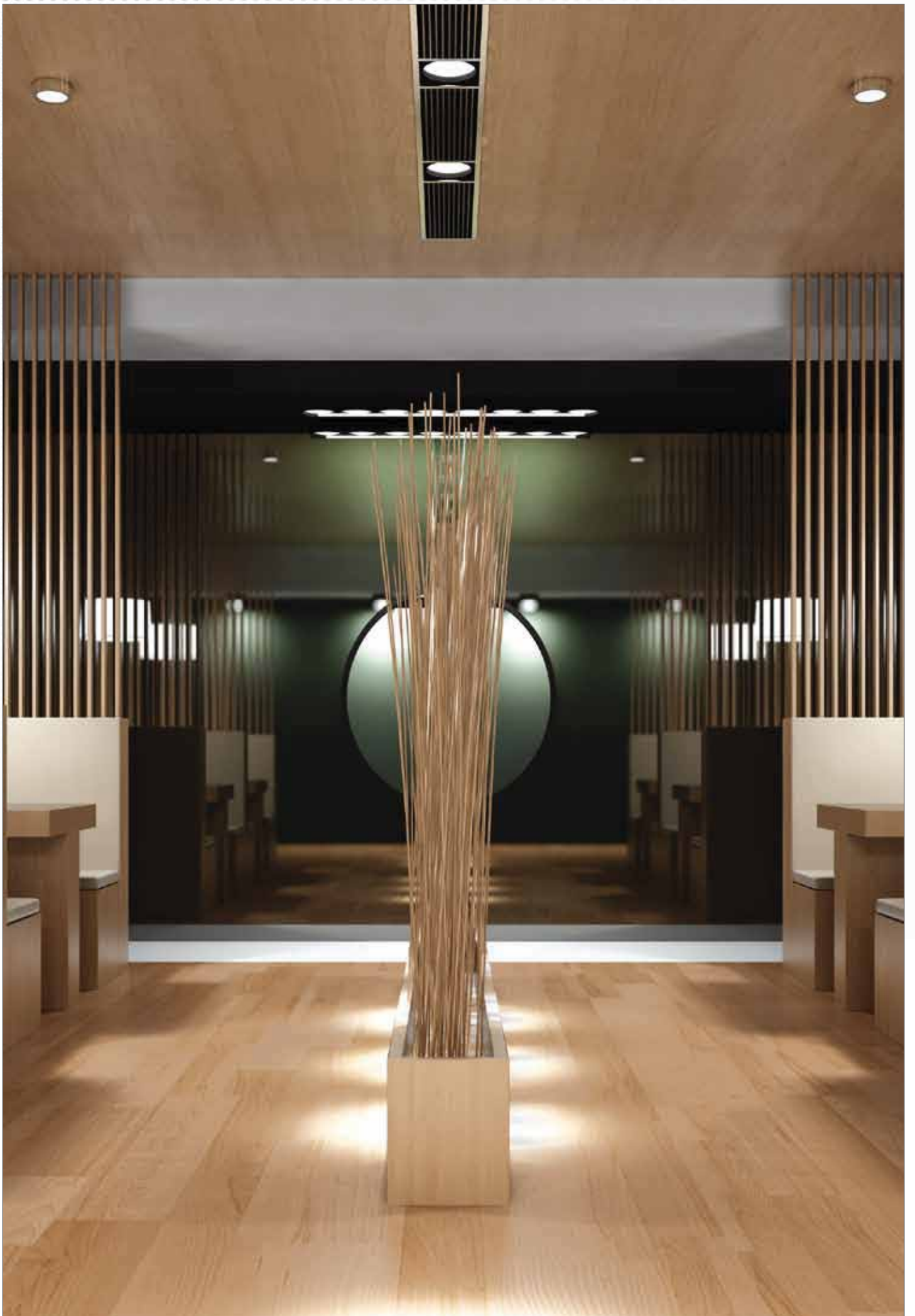
L1+22: Recommended dimensions is based on use of one lampholder with and one lampholder without spring. - The distance between the cut-outs and the tolerance should be governed by the dimensions of the respective lamps and luminaires.



1 A
250 V

CAD

i



Small but nice.

Lampholders GH76p for E-Core LED-Light Engines made by Toshiba

Besides the classic functions "Holding" and "Contact-making", this lampholder system takes over the heat-management as well by giving a lasting mounting pressure between the LED module and the heat-sink. This lampholder will be offered world-wide with different keying and will be JET, ENEC and UL approved and as well be raised to Zhaga Standard (Book).


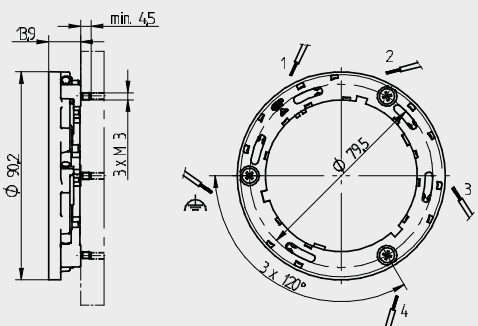


GH76P
28.301

LED & ADS

LED components from BJB are almost always ADS-compatible. Like all other components, they can be wired automatically with ADS systems.



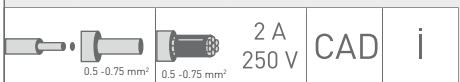
pkg.	wt.	part no.
125	20 g	28.301.1002.90


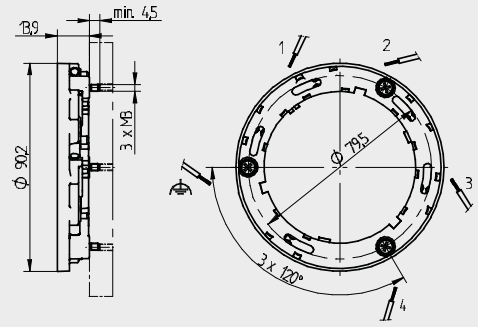
Screw fixing

- Key: GH76p-1 for 220 - 277 V AC LED light engines
- Material: PPS
- Lampholder is delivered fully assembled with M3 fixing screws included.
- Screw fixing holes M3 recommendation: sharp-edged without countersink
- Torque recommendation: 0.5 - 0.6 Nm
- Screws are equipped with a one time loosening protection. After disassembly and a second assembly, the user is responsible for loosening protection.

Marking of contacts:

1. Neutral
2. Phase
3. Dim
4. Dim
5. Functional ground




pkg.	wt.	part no.
125	20 g	28.301.1001.90

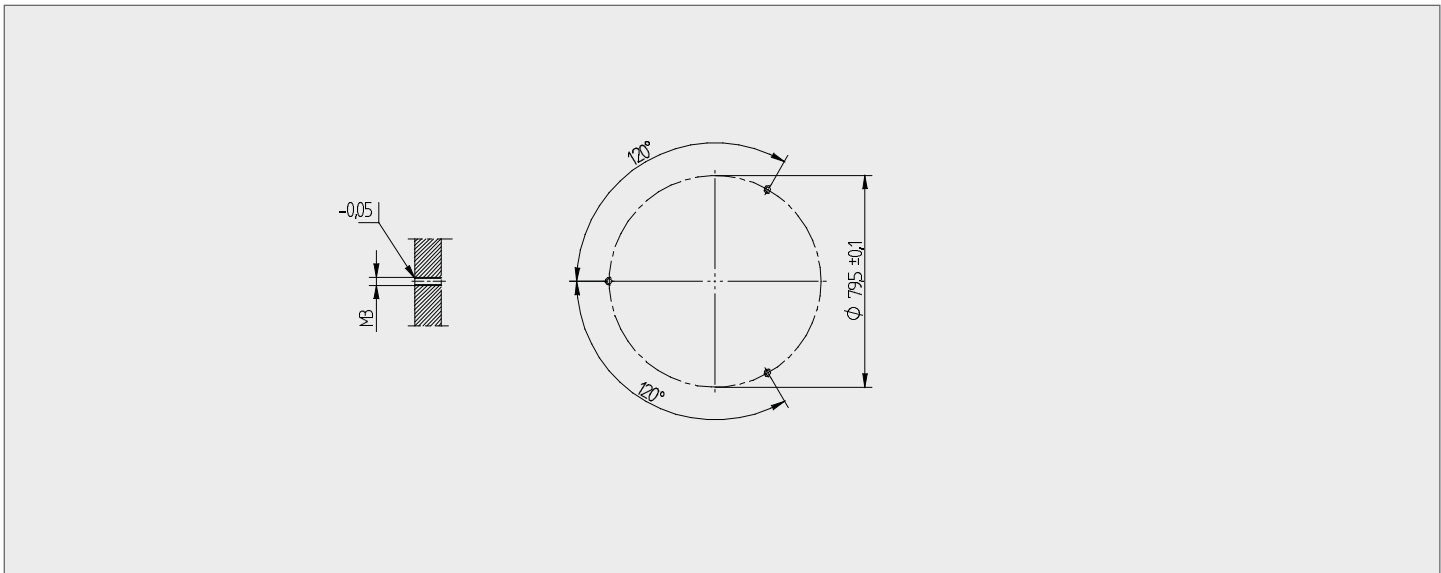
Screw fixing

- Key: GH76p-2 for 100 - 120 V AC LED light engines
- Material: PPS
- Lampholder is delivered fully assembled with M3 fixing screws included.
- Screw fixing holes M3 recommendation: sharp-edged without countersink
- Torque recommendation: 0.5 - 0.6 Nm
- Screws are equipped with a one time loosening protection. After disassembly and a second assembly, the user is responsible for loosening protection.


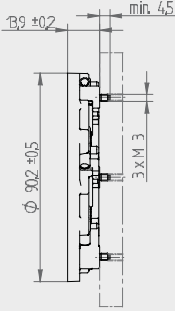
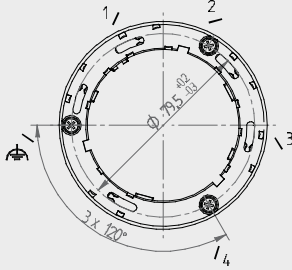
Marking of contacts:

1. Neutral
2. Phase
3. Dim
4. Dim
5. Functional ground







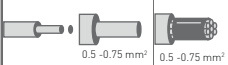
pkg.	wt.	part no.
125	20 g	28.301.1005.90

Screw fixing

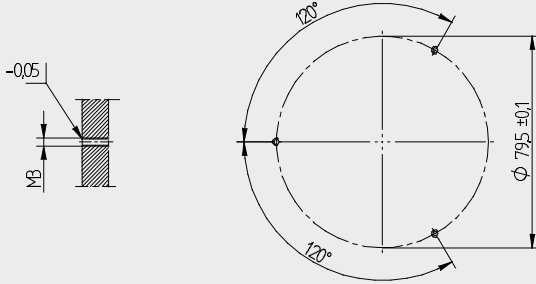
- Key: GH76p-5 for 100 - 200 V AC LED light engines
- Material: PPS
- Lampholder is delivered fully assembled with M3 fixing screws included.
- Screw fixing holes M3 recommendation: sharp-edged without countersink
- Torque recommendation: 0.5 - 0.6 Nm
- Screws are equipped with a one time loosening protection. After disassembly and a second assembly, the user is responsible for loosening protection.

Marking of contacts:

1. Neutral
2. Phase
3. Dim
4. Dim
5. Functional ground



2 A
250 V CAD i





Better technique, easier handling.
That is what a proper solution looks like.

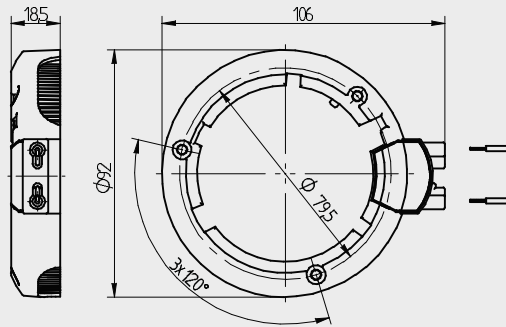
**Lampholder for LED Light Engines
(PHJ65-d/PHJ85-d) 2. generation**

A lot of improvements were implemented in the design of this lampholder series. Particular outstanding is the improved lamp guidance as well as the improved optic, which will superbly show to advantage in open luminaire designs.



PHJ65-d/PHJ85-d
28.107

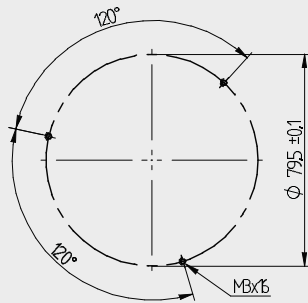
Lampholder PHJ65d-2

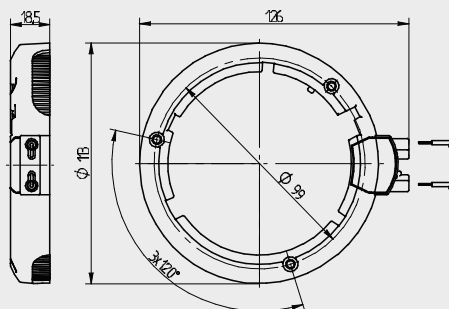


pkg. 120 part no. **28.107.2001.50**

Screw fixing
 Key: PHJ65d-II for modules 230-277 V AC
 Housing: PBT
 Contacts: CuSn
 • Screw fixing: for screws M3

			2 A 250 V	CAD	i
0.5 - 1.5 mm ²	0.5 - 1.0 mm ²				56

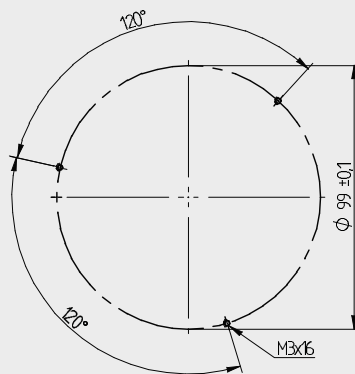




pkg. wt. part no.
120 8 g **28.108.2001.50**

Screw fixing
Key: PHJ85d-2 for modules 230-277 V AC
Housing: PBT
Contacts: CUSn

			2 A 250 V	CAD	i
0.5 - 1.5 mm ²	0.5 - 1.0 mm ²				56





Task said, task done.

LED Light Engine with E27-threaded barrel and integrated electronic ballast

This is the solution for Residential and Hospitality. A theft-proof system which implements high-quality LED-technology into existing lighting constructions with Edison-lamp base or CFL-lampholder.

With 6 Watt, a luminous flux of 520 lm and 25.000 hrs. life-expectancy, our BJB LED E-Line is a real alternative when conventional light sources are not desired. Further data: Colour-temperature 3.000 K, colour-rendering Ra → 80, voltage 220 - 240 V, 50 - 60 Hz, 100 percent light immediately when switched-on. Especially nice: BJB standard-accessory parts for E27 such as Insulation caps 22.917 and thread-rings 22.702 can still be used.



LED  LINE

Now even more options in the LED-field.

LED connector

Four new versions of connectors for Citizen LED boards are offered by BJB, two in preparation, one as concept (47.315.4009 for Citizen CLL030 19 x 19 mm) and one as series production item (47.315.4005 for Citizen CLL040 28 x 28 mm). Connector 47.315.4001 was designed for Sharp MegaZeni LED boards.



Always the right connection.

LED-boards connectors for snap-fixing in the panel

This connector consists of a housing with a standard push-wire contact and metal spring-construction, which snap-fixes **tool-free** into the panel of the luminaire housing. The connector is suitable for the LED Citizen CLL104, which can be mounted easily with this connector, whereby a defined mounting pressure at the same time ensures the heat-dissipation.



47.318

Connector for Bridgelux RS with or without reflector -interface

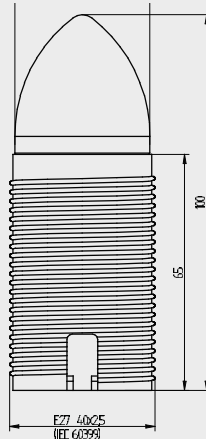
BJB-typical construction which enables an easier replacement of the light source. Screw-fixing connector with push-wire contacts for the electrical connection. The geometry of the reflector interface is free and can be used by every reflector manufacturer.



47.315

LED & ADS

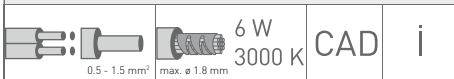
LED components from BJB are almost always ADS-compatible. Like all other components, they can be wired automatically with ADS systems.



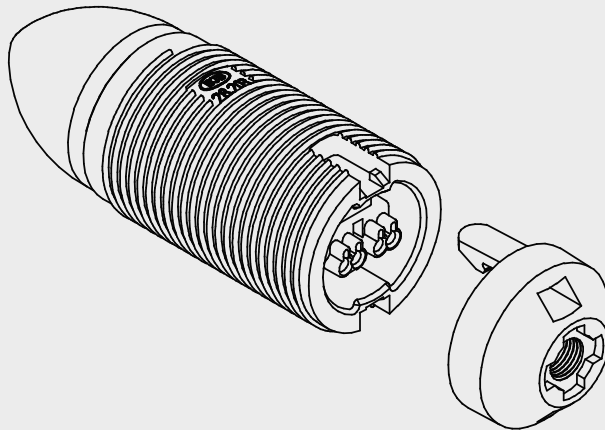
part no.
28.203.1001.50

Snap-in fixing into insulating cap
Housing: Aluminium
Cover: glass

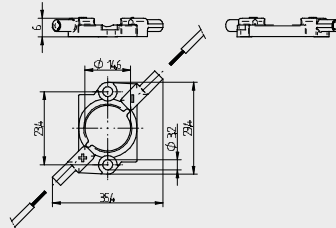
- Supply voltage: 220 - 240 V
- Luminous flux: 520 lm
- Power rating: 6W
- LED service life: 25,000 hours (at least 70% light)
- Colour temperature: 3000 K
- Colour rendering: CTI>80
- Protection class: II
- Tc (at rim of aluminium housing): max. 70 ° C
- CE - Marking
- Application area: As replacement for compact fluorescent lampholders G23 / G24 and incandescent lampholders with outer thread and snap in fixing
- Standard BJB accessories for E27 can be used, such as 22.917 caps and 22.702 shade rings.
- Accessories see general catalogue chapter 10 pages 38 - 43



Example of application: Snap in fixing with E27 insulating cap



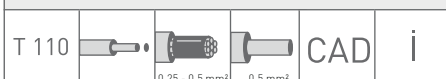
pkg. wt. part no.
125 2 g **47.316.3001.50**



Connector for LED COB from Nichia

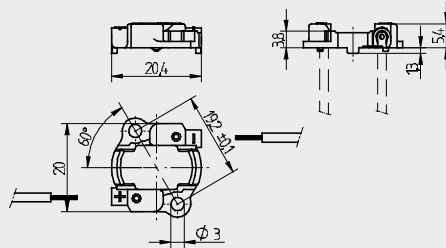
Screw fixing
Housing: PBT
Contacts: CuSn
Approval: only cURus (3A/300V)

- Screw fixing: for screws M3 or self-tapping screws with ø 3 mm and locking washer
- Max. torque for screw fixing 0.6 Nm
- Strip length: 6^{±1} mm
- Polarity of LED must be observed.
- Specification of LED manufacturer must be observed





pkg. wt. part no.
125 2 g **47.313.1001.80**

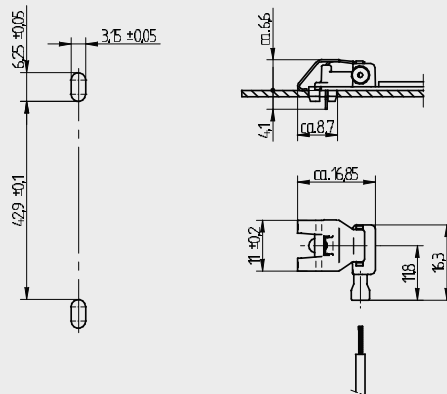


Without centring for LED, for use with ES Star from Bridgelux
Screw fixing
Housing: PBT
Contacts: CuSn
Not for use with lenses (without centring for LED)

- Screw fixing: for screws M3 or self-tapping screws with \varnothing 3 mm and locking washer
- Max. torque for screw fixing 0.6 Nm
- Strip length: 6⁺¹ mm
- Test ports
- Polarity of LED must be observed.
- Specification of LED manufacturer must be observed.
- VDE-Reg.-No. D060

T 110			0,25 - 0,5 mm ²		0,5 mm ²	2 A 60 VDC	CAD	i
-------	--	--	----------------------------	--	---------------------	---------------	-----	---

part no.
47.318.1001.50

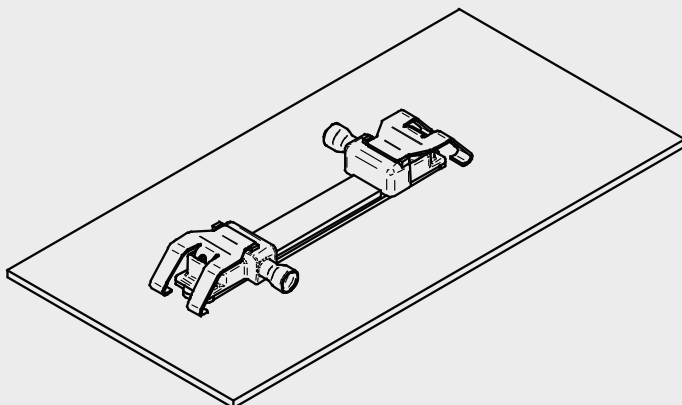


Connector for LEDs CL-L104 from Citizen
Snap-in fixing into metal sheet
Housing: PBT
Contacts: CuSn

- Panel thickness: 1.3^{±0.1} mm surface coating included
- Strip length: 8⁺¹ mm
- Even mounting pressure on the LED
- Polarity of LED must be observed.
- Specification of LED manufacturer must be observed

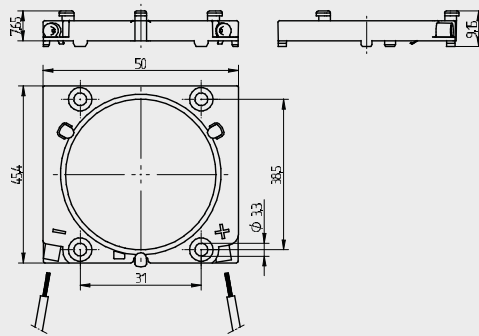
T 110			0,25 - 0,5 mm ²		0,5 mm ²	3 A 150 V	CAD	i
-------	--	--	----------------------------	--	---------------------	--------------	-----	---

Example of application:
Please take into consideration that this connector has to be used in pairs.





pkg. wt. part no.
125 6 g **47.315.2101.50**



Connector for LED RS-series from Bridgelux

Screw fixing
with interface for fixing reflectors

Housing: PBT

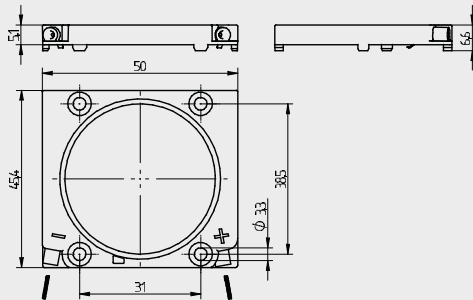
Contacts: CuSn

- Screw fixing: for screws M3 or self-tapping screws with \varnothing 3 mm and locking washer
- Max. torque for screw fixing 0.6 Nm
- Strip length: 6⁻¹ mm
- Polarity of LED must be observed.
- Specification of LED manufacturer must be observed

T 110				3 A 150 V	CAD	i
-------	--	--	--	--------------	-----	---

0,25 - 0,5 mm² 0,5 mm²

pkg. wt. part no.
125 6 g **47.315.2111.50**



Connector for LED RS-series von Bridgelux

Screw fixing

Housing: PBT

Contacts: CuSn

- Screw fixing: for screws M3 or self-tapping screws with \varnothing 3 mm and locking washer
- Max. torque for screw fixing 0.6 Nm
- Strip length: 6⁻¹ mm
- Polarity of LED must be observed.
- Specification of LED manufacturer must be observed

T 110				3 A 150 V	CAD	i
-------	--	--	--	--------------	-----	---

0,25 - 0,5 mm² 0,5 mm²



pkg. wt. part no.
125 2 g **47.315.4001.50**

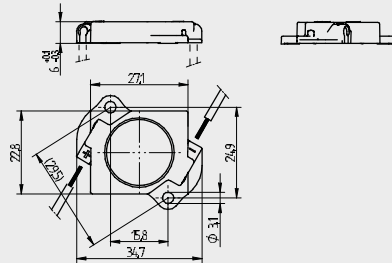
Connector for LED Sharp MegaZeni

Screw fixing

Housing: PBT

Contacts: CuSn

- Screw fixing: for screws M3 or self-tapping screws with \varnothing 3 mm and locking washer
- Max. torque for screw fixing 0.6 Nm
- Strip length: 6^{+1} mm
- Polarity of LED must be observed.
- Specification of LED manufacturer must be observed



T 110				3 A 150 V	CAD	i
		0,25 - 0,5 mm ²	0,5 mm ²			

pkg. wt. part no.
125 2 g **47.315.4009.50**

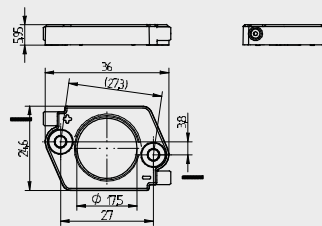
Connector for LED CL-L030 from Citizen

Screw fixing

Housing: PBT

Contacts: CuSn

- Screw fixing: for screws M3 or self-tapping screws with \varnothing 3 mm and locking washer
- Max. torque for screw fixing 0.6 Nm
- Strip length: 6^{+1} mm
- Polarity of LED must be observed.
- Specification of LED manufacturer must be observed



T 110				3 A 150 V	CAD	i
		0,25 - 0,5 mm ²	0,5 mm ²			

pkg. wt. part no.
125 2 g **47.315.4005.50**

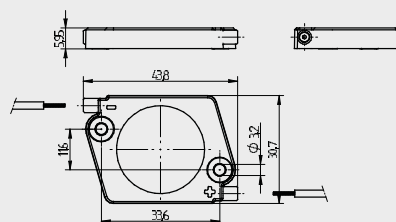
Connector for LED CL-L040 from Citizen

Screw fixing

Housing: PBT

Contacts: CuSn

- Screw fixing: for screws M3 or self-tapping screws with \varnothing 3 mm and locking washer
- Max. torque for screw fixing 0.6 Nm
- Strip length: 6^{+1} mm
- Polarity of LED must be observed.
- Specification of LED manufacturer must be observed

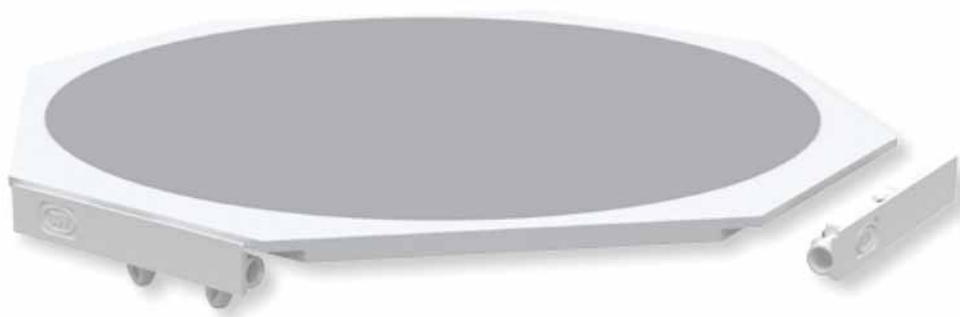


T 110				3 A 150 V	CAD	i
		0,25 - 0,5 mm ²	0,5 mm ²			

Further on and no end in view.

Connection technology for OLED with contact pins

BJB does its bit to do pioneering work to solve the challenge of contacting the flimsy substrate layer. One application for our OLED connector is the octagonal OSRAM ORBEOS (ø 79 mm). However, other dimensions are also possible.



OLED
47.401

LED  LINE

LED - Lighting and connection technology

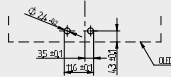
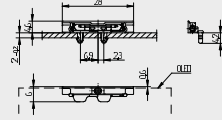
47.401

Connector for OLED's from Osram



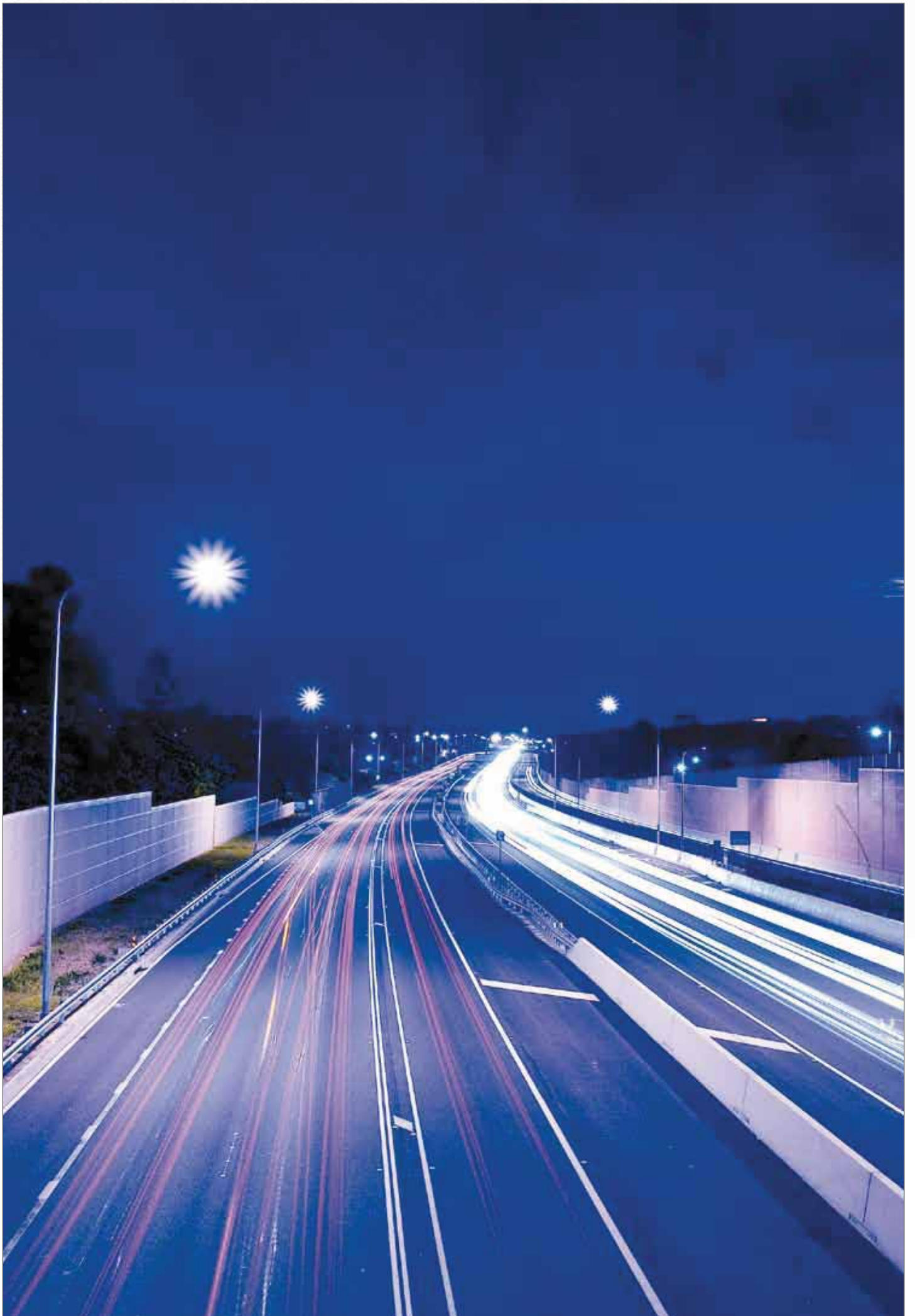
pkg. wt. part no.
125 2 g 47.401.1001.85

Snap in pins
Housing: PC
Contacts: CuSn



T 80			2 A 50 V	CAD	i
------	--	--	-------------	-----	---





For outdoor and high-bay.

HID lampholders for lamp base PGZ18 and PGZX18

With our well-known twist & lock technique for secure fit and an innovative contact-system, enabling a safe electrical connection in all situations. PGZX18 lamps can be used as „protected“ lamps in luminaires without additional protection glass cover. In order to differentiate and for easier selection of the correct lamp, these lampholders were colour-coded in brown colour.



PGZX18
25.715.1001



PGZ 18
25.715.1201

Lampholders for discharge lamps

25.715

PGZ18



pkg.	wt.	part no.
50	130 g	25.715.1001.00

Screw fixing
 Housing: Ceramic
 Wires: with 2 ignition wires attached, Cu, tin plated, 0.75 mm², with ferrule, Insulation: silicone (max. 180° C), Cable length: 320 mm

T 350	10 A 500 V		CAD	i	[04] 3...
-------	---------------	--	-----	---	-----------

pkg.	wt.	part no.
50	145 g	25.715.1201.00

Screw fixing with fixing plate
 Housing: Ceramic
 Wires: with 2 ignition wires, Cu, tin plated, 0.75 mm², with ferrule, Insulation: silicone (max. 180° C), Cable length: 320 mm

T 350	10 A 500 V		CAD	i	
-------	---------------	--	-----	---	--

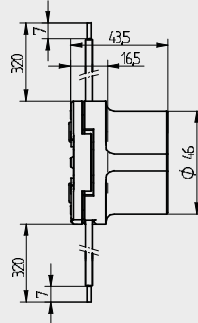
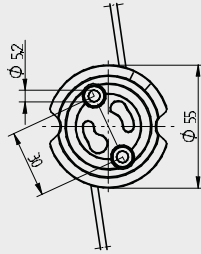
Lampholders for discharge lamps

25.716

PGZX18



pkg. wt. part no.
50 130 g **25.716.1001.00**



Screw fixing

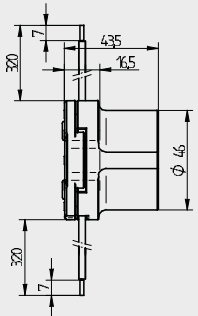
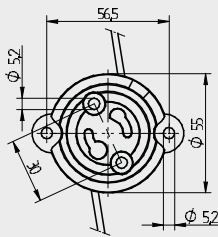
Housing: Ceramic

Wires: with 2 ignition wires, Cu, tin plated, 0.75 mm², with ferrule, Insulation: silicone (max. 180° C)

Cable length: 320 mm

T 350	10 A 500 V	5 kV/pulse	CAD	i [04] 3...
-------	---------------	------------	-----	----------------

pkg. wt. part no.
50 145 g **25.716.1201.00**



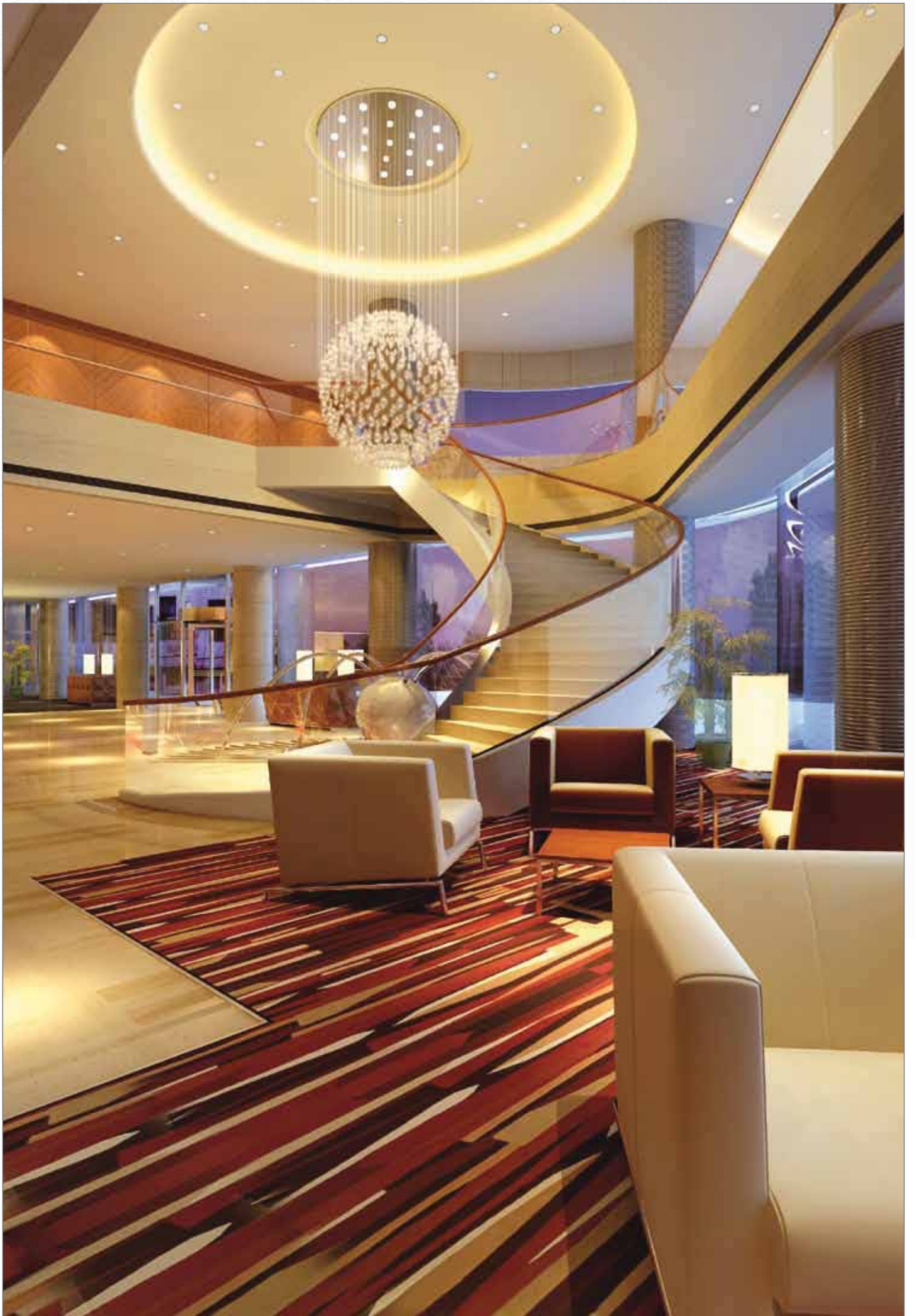
Screw fixing with fixing plate

Housing: Ceramic

Wires: with 2 ignition wires, Cu, tin plated, 0.75 mm², with ferrule, Insulation: silicone (max. 180° C)

Cable length: 320 mm

T 350	10 A 500 V	5 kV/pulse	CAD	i
-------	---------------	------------	-----	---





All articles in this catalogue have been designed according to the appropriate national and international standards (VDE / IEC). The choice of product and correct technical embodiment is the sole responsibility of the user. Further information on request. We reserve the right to modify products.

Explanation of the symbols shown on the product pages.

	<p>Temperature rating T 90 Declaration of the rated temperature (when > 80°C). The maximum operating temperature is given by a T marking. This is the maximum operating temperature for which the lampholder is designed. Additional information may be given for the rear of the lampholder (e.g. Tm 110°C).</p>		<p>Rating Indication of rated values</p>
	<p>Temperature rating T 110 Declaration of the rated temperature (when > 80°C). The maximum operating temperature is given by a T marking. This is the maximum operating temperature for which the lampholder is designed. Additional information may be given for the rear of the lampholder (e.g. Tm 110°C).</p>		<p>Rating Indication of rated values</p>
	<p>Single push wire terminals</p>		<p>Rating Indication of rated values</p>
	<p>Twin push wire terminals</p>		<p>Rating Indication of rated values</p>
	<p>For tinned wire ends within the cross sectional range stated (In this example 0.5 - 1.0 mm²) When regulations deviate from IEC, other cross sections are possible (e.g. UL / CSA: cable 18 AWG)</p>		<p>Rating Indication of rated values</p>
	<p>For solid conductors within the cross sectional range stated (In this example 0.5 - 1.0 mm²) When regulations deviate from IEC, other cross sections are possible (e.g. UL / CSA: cable 18 AWG)</p>		<p>90° rotor fixing</p>
	<p>For wire ends with ferrule to the maximum diameter stated (In this example max. ø 1.8 mm) The cable and termination used must be compatible in respect of: Diameter and length of the ferrule, strip length of insulation. For further information see DIN 46228, part 3, size 1 - 7</p>		<p>CAD-Data in 2D or 3D format available</p>
	<p>Material thickness Indication in mm (In this example 0.6 - 1.0 mm)</p>		<p>Additional information Further information about the products shown on this page can be found on the pages shown within this symbol.</p>

These and further documents can be found
at www.bjb.com/downloads



BJB Catalogue



LED Catalogue



www.bjb-automation.com



www.bjb.com



BJB-Automation



BJB GmbH & Co. KG · Werler Str. 1 · 59755 Arnsberg · Germany
Telephone +49 2932 982-0 · Fax +49 2932 982-8201
info@bjb.com · www.bjb.com


Your Connection to Light