



1



Content

About us



BJB worldwide



Linear Fluorescents:
General Application



Linear Fluorescent Lampholders:
Water and Dustproof



Compact Fluorescent Lampholders



HID Lampholders



LED - Lighting and
connection technology



Line Voltage Halogen Lampholders



Low Voltage Halogen Lampholders



Incandescent Lampholders:
Edison Screw and Bayonet Cap



General information



Symbols

>>



Symbols

	Temperature rating		For solid conductors within the cross sectional range stated		Protection class according to IEC
	Temperature rating		For 7 stranded wire ends within the cross sectional range stated		Automatic final testing of light fitting
	Temperature rating		Material thickness, in mm		Lampholder with integrated electronic ballast
	Temperature rating/temperature index according to UL		Lampholder for Instantstart		Lamp type (e.g. G9)
	Airpass Rotor		Rating		Light distribution curves available
	Top Test- for efficient final testing		Rating		Tab terminals
	Front Test - for efficient final testing		Rating		Wire ends with ferrule
	Twin push wire terminals		Rating		Wire ends with tab terminals as per nominal stated
	Quad push wire terminals		Rating		CAD-data available
	Single push wire terminals		Rating		Additional information can be found on page shown
	Screw terminals		Rating		
	For tinned wire ends within the cross sectional range stated		Starting voltage		
	For wire ends with ferrule to the maximum diameter stated		Starting voltage		

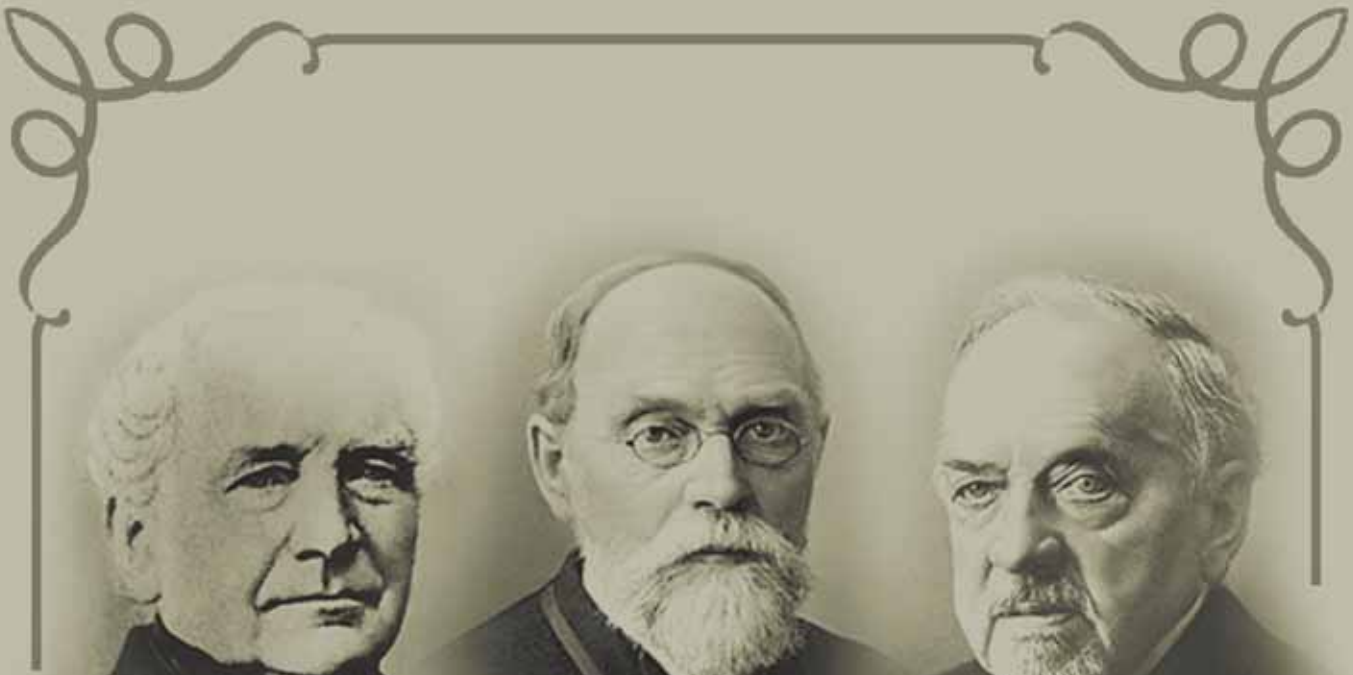




About us



Your Connection to Light



Brückelmann, Jaeger & Busse.

From paraffin lamps to LEDs

Six generations of one multi-faceted company: this single phrase could well describe the history of Brökelmann, Jäger & Busse (or BJB for short).

First things first, though: it all started with a factory founded in 1867 by Friedrich Wilhelm Brökelmann, Franz Jäger and Gustav Busse, initially making paraffin lamps and then moving on to other machinery components. The original site, and still the headquarters, was the Sauerland town of Arnsberg, where numerous firms manufacturing lighting equipment sprang up as part of the industrialisation that began in the middle of the 19th century.

Around the turn of the century, the incandescent light bulb became the generally accepted means of lighting as electrification was extended to cover the entire country. Higher luminous outputs than the candles and paraffin lamps used previously could now be obtained. As a

consequence, in 1911 we switched production to lampholders, and the subsequent global expansion of electrical infrastructures continued to increase the company's potential sales. Lamp technology also developed rapidly, and opened up new possibilities for artificial lighting. Our product range grew steadily to the 2,000 or so articles in the lighting and domestic appliance industry that we offer our customers worldwide today. And when the market demanded more productivity in manufacturing, we developed ADS, our range of innovative automation solutions.

The possibilities available today are shown by the results of current research into lighting technology: the LED will become increasingly used in general lighting as its light output steadily increases and industry makes intensive efforts to increase its efficiency. We will naturally follow this route along with our customers and develop suitable lampholder systems and components - as a partner and supplier of ideas to the whole world.



FABRIK
Brökelmann, Jaeger & Co.
Nehleim, Westph.



BJB

Waren-**BJB**-Zeichen



Brücke zum Licht



As the world changes, we change too. But not always, ...

BJB's core business has always been about light. Firstly, about solutions for integrating different light sources in luminaires, in other words about the "Connection to light", as we call it. Secondly, about lamps themselves. Also for the inside and outside of domestic appliances. This is where we develop and supply systems for all conceivable applications, from ovens to washing machines, and from fridges to microwaves and cooker hoods. But nothing stays as it is. And with us it's easy to see what effect progress, whether technical or social, has on the way people live, work and think.

One specific example: globalisation. Never in history has the worldwide exchange of goods been greater than today; never before has there been competition even in the remotest corners of the world; and never before has it been so important for businesses to develop their own strengths in order to maintain their identity in all the different markets. What we mean here with "identity" is the way we treat our customers and suppliers.

We want to be reliable, professional and friendly. In every area and at every opportunity. And despite the non-stop drive for flexibility: that is one thing that will not change.

Perhaps our business culture of organic growth helps us here, with a company management that is as much aware of the need to keep things as it is, as of the need for renewal. Remaining the same is in the nature of a family business, however, our success is in adapting flexibly to local conditions. In over the past 140 years, we have learned to take our lead from our customers needs, wherever they might be.

This twin-track approach is reflected in what we offer today in the lighting and domestic appliance industry. On the one hand we are a major mass producer with a global presence and mass capacity, and on the other hand we continuously carry out research and development in close cooperation with our partners on new or improved solutions in lamp bases, terminals, switches and domestic appliances in the widest sense.



Dieter Henrici



Philipp Henrici



BJB worldwide



Your Connection to Light



BJB and its subsidiaries

BJB USA

BJB Electric L.P.
6375 Alabama Highway
Ringgold, GA 30736
U.S.A.
Telephone +1 (706) 965-2526
Fax +1 (706) 965-2528
sales@bjb.com
www.bjb.com

Headquarters

BJB Germany

BJB GmbH & Co. KG
Werler Str. 1 . 59755 Arnsberg
Telephone +49 29 32.9 82-0
Fax +49 29 32.9 82-8201
info@bjb.com . www.bjb.com

BJB China

BJB Electric Dongguan Ltd.
Guancheng Science & Tech. Park
Shilong Road, Guanlong Road's
523119 Dongguan City
China
Telephone +86 769 22766 891
Fax +86 769 22766 896
tommy.leung@bjb.com
www.bjb.com

BJB Italy

BJB S.p.A.
Viale Famagosta, 61
I-20142 Milano
Telephone +39 02 89 15 02 76
Fax +39 02 89 15 90 29
bjbitalia@bjb.com
www.bjb.com

BJB Taiwan

BJB Electric Taiwan Corporation
4/F, No. 108, Chow-Tze Street
Nei-Hu District (11493)
Taipei
Telephone +886 2 2627 7722
Fax +886 2 2627 1122
v_BJBTaiwan@bjb.com.
www.bjb.com

BJB United Kingdom

BJB (UK) Ltd.
5 Axis Centre
Cleeve Road
Leatherhead
KT22 7RD
Telefon: +44 (0)1372 380 850
Fax: +44 (0)1372 380 859
bjbuk@bjb.com
www.bjb.com

BJB Japan

BJB Co., Ltd.
2-5-9 Nakagawa-Chuo
Tsuzuki-ku,
Yokohama Kanagawa, 224-0003
Telephone +81 45 595 1239
Fax +81 45 591 1001
sales-japan@bjb.com
www.bjb.com

Sales office Brazil

Mr. Michael Umlauf
Telephone +55 11 2589 8455
Mobile + 55 11 8799 0495
Fax +49 2932 982 8 384
michael.umlauf@bjb.com
www.bjb.com

BJB Hong Kong LTD.

Room 1105 Hang Seng Building
77 Des Voeux Road Central
Hong Kong
Telephone +86 769 22766 891
Fax +86 769 22766 896
tommy.leung@bjb.com
www.bjb.com

BJB Spain

BJB Procesa S.A.
C-155 De Sabadell a Granollers, km 14,2
Apartado de Correos, 8
E-08185 Lliça de Vall (Barcelona)
Telephone +34 93 8445170
Fax +34 93 8445184
procesa@bjb.com
www.bjb.com

BJB Representatives

Argentina

MIXDEAL S.A.
Juan A. García 4047
C1407FWO
Ciudad de Bs As. - Argentina
Telephone +54 11 4639 5636
Fax +54 11 4568-4395
mixdeal@mixdeal.com.ar
www.mixdeal.com.ar

Australia

SOANAR PTY LTD
1168a South Road
Clovelly Park 5042 South Australia
Telephone +61 (0) 8 8276 6711
Fax +61 (0) 8 8276 6788
Mobile +61 (0) 419 323 711
gjones@soanar.com
www.soanar.com

Austria

LTV Lampen und Leuchten
Vertriebsges.m.b.H.
Industriestrasse B-4
A -2345 Brunn am Gebirge
Telephone +43 2236 9003 0
Fax +43 2236 9003 0
sales@ltv.at
www.ltv.at

Belgium

ARFA sprl/bvba
Rue A. Diderich 63
B-1060 Bruxelles / Brussel
Telephone +32.(0)2.539.30.54
Fax +32.(0)2.539.21.44
info@arfa.be

Brazil

Mr. Michael Umlauf
Telephone +55 11 2589 8455
Mobile + 55 11 8799 0495
Fax +49 2932 982 8 384
Michael.Umlauf@bjb.com

Bulgaria

Lumina Ltd.
83 Tzar Assen Str.
BG - 1000 Sofia
Telephone +359 2 983 11 32
Fax +359 2 983 20 98
m.monev@luminaltd.com

Canada

BJB Electric L.P.
6375 Alabama Highway
Ringgold,GA 30736-0968
U.S.A.
Telephone +1 (706) 965-2526
Fax +1 (706) 965-2528
sales@bjb.com

Chile

RTR DNA CHILE S.A.
La Estera 668 Loteo Industrial
Valle Grande Lampa,
Santiago
Telephone +56-2 328 4400
Fax +56-2 738 6911
comex@rtr.cl
www.rtr.cl

China

BJB Electric Dongguan Ltd.
Guancheng Science & Tech. Park
Shilong Road, Guanlong Road's
523119 Dongguan City
Telephone +86 769 22766 891
Fax +86 769 22766 896
tommy.leung@bjb.com

Lens World Trading Co.LTD
10/F.Unit 21
Well Fung Ind.Bldg.
No.58-76,Ta Chuen Ping St
Kwai Chung N.T.
Hong Kong
Telephone +852 2 /481 4747
Fax +852 2 /423 3903
info@lenshk.com

HO HANG LOGISTICS(SZ) .,LTD
Room 702c,building C
Indali Digital Garden,Hongmian Roas
Free-trade Zone
Futian District
ShenZhen, China
Telephone +86 755 25331123/63/83
Fax +86 755 25331193
info@lenshk.com

SHANGHAI YUNYANG TRADING CO.LTD.

Room 1206, Jin Qiao Plaza
No. 2077, Yan An xi road
Shanghai 200336
China
Telephone +86 21 62098933 / +86 21 62098936
Fax +86 21 62098939
jinyhc@online.sh.cn

Colombia

Técnica de Conexiones Ltda.
Tino R. Calderari
Cra. 49 no. 98A-17
Bogota C.D.
Telephone +57 1 610 2931
Fax +57 1 2572756
tinoc@teconex.com
www.teconex.com

Czech Republic

DNA Central Europe s.r.o.
Podoli 30
250 81 Nehvizdy
Telephone +420 326 992 511
Fax +420 326 994 892
info@dna.cz
www.dna.cz

Denmark

UNELCO A/S
Bødkervej 18
DK-4300 Holbæk
Telephone +45 36 49 42 49
Fax +45 36 49 03 66
bdb@unelco.dk
www.unelco.dk

Egypt

AVAK
Osman Towers
Cornish El Nil Bldg.14,1st Fl.
P.O.Box 630 Maadi
11728 Cairo
Telephone +20 2 5261177
Fax +20 2 5261188
avakimpex@avak.com

Finland

GSBB Co.Ltd. Oy
Kilonkallio 3
02610 Espoo
Telephone +358 (0) 98 84 52 80
Fax +358 (0) 98 81 37 60
filippa@gssbb.fi / gustaf@gssbb.fi
www.gssbb.fi

France

Distributor
TridonicAtco France
34,Rue de L'Expansion
F-67150 Erstein-Gare
Telephone +33 3 88596270
Fax +33 3 88596275
Pierre.Leonard@tridonicatco.com
Nadine.Lehmann@tridonicatco.com

Germany

FRANKFURT/MAIN + STUTTGART (with stock)
Meier Handels GmbH
Am Bahnhof 3
35216 Biedenkopf
P.O. Box 13 41
35203 Biedenkopf
Telephone +49 64 61 / 9 22 33
Fax +49 64 61 / 9 22 37
info@iv-meier.de

COLOGNE (with stock)
Gustav Wauschek GmbH
Mathias-Brüggen-Straße 76
50827 Köln
Telephone +49 2 21 / 59 40 64
Fax +49 2 21 / 59 37 21
info@wauschek.de

NUREMBERG + MUNICH
Dr. Theo Ellinger
P.O. Box 10 02 32
90564 Schwaig
Telephone +49 9 11 / 50 29 16
Fax +49 9 11 / 50 17 08
ellinger.gdbr@t-online.de

Greece

C.Canetti &Co.
269 Messogion Ave.
GR-15231 Halandri /Athens
Telephone +30 210 6721500
Fax +30 210 6775005
canetti@hol.gr

Domestic Appliance Industry
Intermarket
M. G.Rosakis &Co.INC./
International Associates
20, A.Metaxa St.-Glyfada
Gr -16674 Athens
Telephone +30 210 9681214
Fax +30 210 898 2332
grosakis@otenet.gr

Hong Kong

Lens World Trading Co.LTD.
10/F.Unit 21
Well Fung Ind.Bldg.
No.58-76,Ta Chuen Ping St
Kwai Chung N.T.
Hong Kong
Telephone +852 2 481 4747
Fax +852 2 4233903
tommy@lensworld.com.hk

Hungary

Laszlo Rajnoha
Dorozsmai u. 231
H-1142 Budapest
Telephone +36 1 460 95 39
Fax +36 1 460 95 40
rajnoha.laszlo@externet.hu

India

Atco Controls (I) Pvt. Ltd,
38B Nariman Bhavan, Nariman Point,
Mumbai 400021
Telephone (9122) 2202 5528 / (9122) 6632 5528
Fax (9122) 2203 2304
atcoin@vsnl.com
sales@atcocontrols.com

Indonesia

P.T. Sahabat Indonesia I.M.
Jl. Muara Karang Selatan
Blok A Utara No.1 Kav No.11
Kawasan Industri Pergudangan
Jakarta-Utara 14440
Indonesia
Telephone +62 21 6610651 /
Telephone +62 21 6621780
Fax +62 21 6603700

Iran

Miran Noor Gostar
P.O. Box 16895-343
Teheran
Telephone +98 21 2528198
Fax +98 21 2520806
mirali@mirannoor.com
www.mirannoor.com

Domestic Appliance Industry
Afarinesh Qeshm Co.Ltd
Ave. Khoramshahr (Apadana)
No. 109 (Next to Bank Refah Kargaran)
Building No 110
First Floor
P.O.Box 15875
Teheran /Iran
Foujan Sebt
Telephone +98 21 88769432
Fax +98 21 88767637
bct@emirates.net.ae

Israel

El-Kam Ltd.
P.O. Box 2475
Ha'ta'as Street 26
44425 Kfar Saba
Telephone +972 9/765 88 08
Fax +972 9/765 85 45
el-kam@el-kam.com

Italy

BJB S.p.A.
Viale Famagosta, 61
I-20142 Milano
Telephone +39 02 /89 15 02 76
Fax +39 02 /89 15 90 29
bjbitalia@bjb.com
www.bjb.com

Japan

BJB Co.,Ltd.
2-5-9 Nakagawa-Chuo
Tsuzuki-ku,
Yokohama Kanagawa, 224-0003
Telephone +81 45 595 1239
Fax +81 45 591 1001
sales-japan@bjb.com

Korea

Scientrade Inc.
2 F,Gumhwa Bldg.
201-42, Guwol 1-dong, Namdong-gu,
Incheon
Telephone +82 32 4390110 (Rep.)
Fax +82 32 4293954
jee0130@scientrade.com
www.scientrade.com

Malaysia

Compolite PTE Ltd.
Blk 65A Jalan Tenteram #03-08/09
St. Michael's Industrial Estate
328958 Singapore
Telephone +65 6358 3383
Fax +65 6251 3383
James_lee@compolite.com.sg

Mexico

GCM Comercial, S.A. de C.V.
Miguel Cañedo
Eje 126 No.219
Zona Industrial
Apto.Postal UPA-16
78395 San Luis Potosi,S.L.P.
Telephone +52 444 8240116
Fax +52 444 8240060
mcanedo@grupogcm.com

Netherlands

Distributor
Elpro B.V.
Pascalstraat 3-I
2811 EL Reeuwijk
Telephone +31 182 533633
Fax +31 182 570414
info@elpro.nl
www.elpro.nl

New Zealand

TRIDONICATCO NZ LTD
P.O. Box 107044
Airport Oaks Mangere
9 Aintree Avenue,
Manukau City 2022
Auckland
Telephone +64 9 256 2310
Fax +64 9 256 0109
cmills@tridonicatco.co.nz

BJB Representatives

New Zealand

Domestic Appliance Industry
SOANAR PTY LTD
1168a South Road
Clovelly Park 5042 South Australia
Telephone +61 (0) 8 8276 6711
Fax +61 (0) 8 8276 6788
Mobile +61 (0) 419 323 711
gjones@soanar.com
www.soanar.com

Norway

Vanpée Norge A/S
Vestvollveien 6 D
2019 Skedsmokorset
Telephone + 47 64 83 82 80
Fax +47 64 83 82 81
firmapost@vanpee.no
www.vanpee.no

Pakistan

EMEC
Engineering Materials &
Equipment Company
2nd Floor Alsadaf 35-C Empress Road
PAK Lahore 54000, Pakistan
Telephone +92 42 6363394-95
Fax +92 42 6363393
naeema@lhr.comsats.net.pk

Peru

TRIANON CO-PRODUCTION PARTNERSHIP S.A.
Av. Rep. de Panama 4125
Surquillo
Lima
Luis Zwiebach
General Manager
Telephone +51 1 241 6405
Fax +51 1 241 6406
info@trianon.com.pe
www.trianon.com.pe

Philippines

Pacific Lightech Corporation
420 Ortigas Avenue corner Xavier Street
Greenhills, San Juan
Metro Manila, Philippines
Telephone +632-6386226 / +632-6374599
Fax +632-6873328
sales@pacificlightech.com

Poland

DJP Sp.z.o.o.
ul. Krasynskiego 41
01-755 Warszawa
Telephone +48 22 669 05 80
Fax +48 22 639 70 37
sales@djp.com.pl
www.djp.com.pl

Russia

Tochka Opory Co.Ltd.
12, Fakultetskij per,
125080 Moscow
Telephone +7 499 158 2461
Fax +7 495 626 9796
tochka@msk.k-to.ru
www.k-to.ru

Singapore

Compolite PTE Ltd.
Blk 65A Jalan Tenteram #03-08/09
St. Michael's Industrial Estate
328958 Singapore
Telephone +65 6358 3383
Fax +65 6251 3383
james_lee@compolite.com.sg

Slovakia

DNA Slovakia s.r.o.
Komárnanská cesta 13
SK-940 43 Nové Zámky
Telephone +421 35/6401 907
Fax +421 35/6400 616
j.slamenka@dnacap.sk
www.dnacap.com

South Africa

Luminaire Component Industries (PTY) Ltd.
1, Sam Green Road
Greenhills Industrial Estate
Tunney Ext. 7
ZA -1401 Germiston / Johannesburg
P.O. BOX 1034
ZA - 2008 Bedfordview
Telephone +27 11 822 0060
Fax +27 11 822 0079
info@lcisa.co.za
www.lcisa.co.za

Spain

BJB Procesa S.A.
C-155 De Sabadell a Granollers, km 14,2
Apartado de Correos,8
E-08185 Lliça de Vall (Barcelona)
Telephone +34 93/8445170
Fax +34 93/8445184
procesa@bjb.com

Sweden

N.L.S.
Lennart Söderlind
Tistladalsvaegen 5
S-269 37 Båstad
Telephone +46 4313 691 50
Fax +46 4313 691 50
n.l.soderlind@telia.com

Distributor

Vanpée AB
Idbäcksvägen 12
S-61138 Nyköping
Telephone +46 8556 21130
Fax +46 1552 14230
info@vanpee.se
www.vanpee.se

Switzerland

M. Schönenberger AG
Industriestr.17
CH-5507 Mellingen
Telephone +41 56 4818141
Fax +41 56 4818145
erismann.heinz@schoenenberger-electro.ch

Taiwan

BJB Electric Taiwan Corporation
4/F ,No.108, Chow-Tze Street
Nei-Hu District (11493)
Taipei
Telephone +886 2 2627 7722
Fax +886 2 2627 1122
v_BJBTaiwan@bjb.com.

DONG GUAN RUEY QI LIGHTING TRADE CO. LTD.

No. 6, Jinyu 2nd Street,
Jingqiao Industrial District
Qingxi Town, Dongguan City
Guangdong Province
China
Telephone +86 769 8206 7777
Fax +86 769 8732 2977
dgruey@vip.163.com.

Thailand

Mr. Olaf Reese
389 /43 Supawan Village, Soi 3
Rom Klao Road
T -10520 Lard Krabang
Thailand
Telephone +66 2 915 1370
Fax +66 2 915 1589
Mobile +66-81-6406004
olaf@loxinfo.co.th

Turkey

Lighting Industry
ER Elektronik
Sanayi ve Ticaret A.S.
Yeniyol No.16
80370 Kasimpasa-Istanbul
Telephone +90 212 2971941
Fax +90 212 2387421
satis@erelektronik.com

Domestic Appliance Industry

Barkey Co. LTD.
P.K. 165
34363 Sisli-Istanbul
Telephone +90 212 2489147
Fax +90 212 2311129
rifat.bali@gmail.com

United Kingdom

BJB (UK) Ltd.
5 Axis Centre
Cleeve Road
Leatherhead
KT22 7RD
Telephone +44 (0) 1372 380 850
Fax +44 (0) 1372 380 859
bjbuk@bjb.com
www.bjb.com

USA

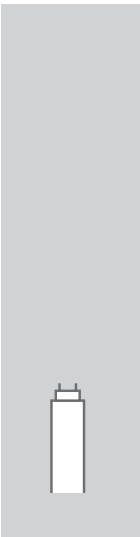
BJB Electric L.P.
6375 Alabama Highway
Ringgold, GA 30736
U.S.A.
Telephone +1 (706) 965-2526
Fax +1 (706) 965-2528
sales@bjb.com

Venezuela

Roberto Barham
Avenida Cristobal Colón
Edificio Urquia 3-A
YV-LaTrinidad, Caracas 1080
Venezuela
Telephone +58 212 94 51 218
Fax +58 212 39 11 694
Cel +58 416 6333225 & +58 412 6196640
ribarham@cantv.net

Vietnam

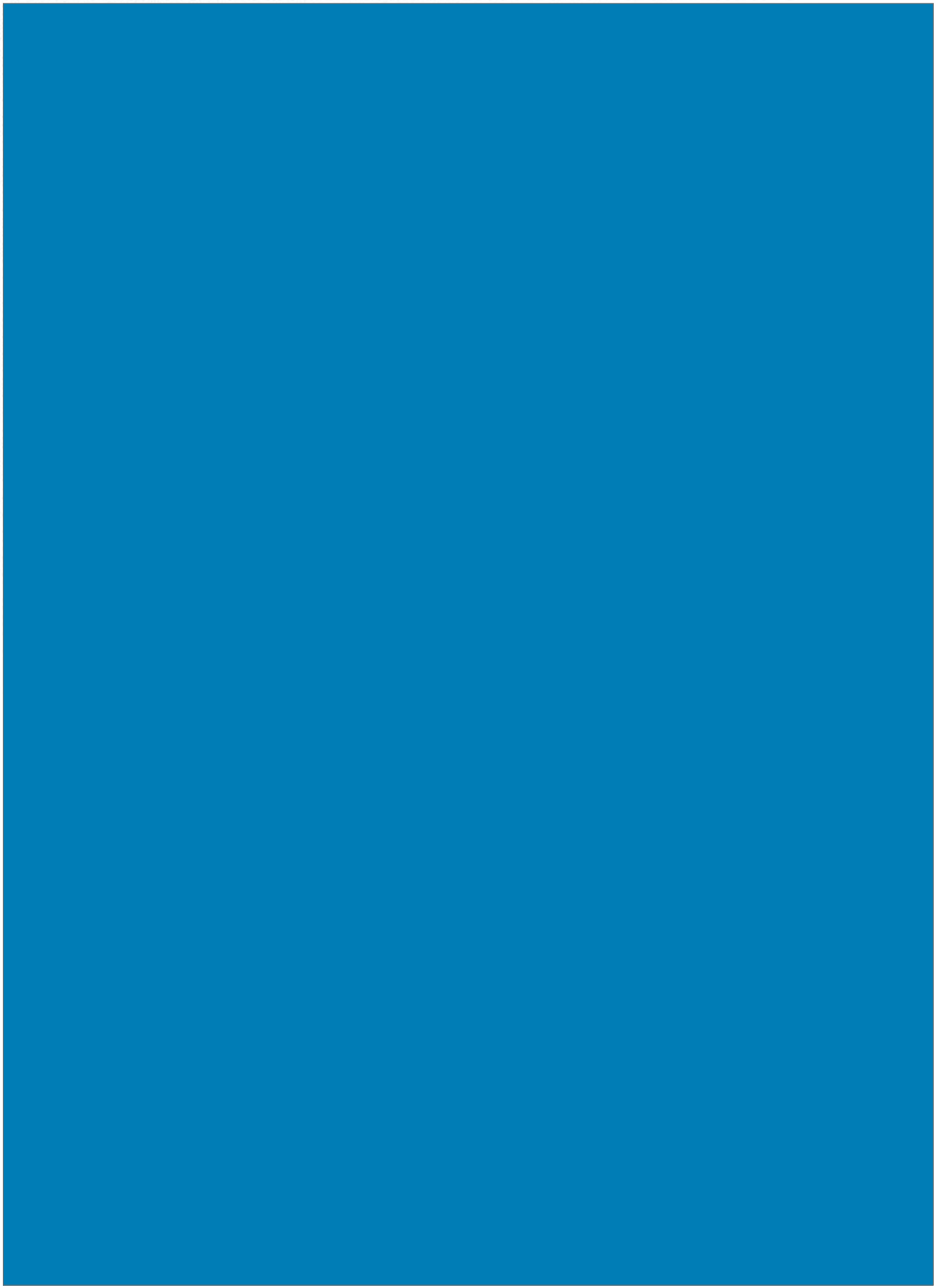
Oriental Star Im-Export Co. Ltd.
Head Office
R505 KS Tuoi Tre Bldg.
2 Tran Thanh Tong Street
Hanoi
Telephone +84 9720120
Fax +84 9720124
oristar@oristar-vietnam.com



Linear Fluorescents: General Application



Your Connection to Light



Linear Fluorescents: General Applications

Table of Contents



	<p>G13 Push-Through Lampholders</p> <ul style="list-style-type: none"> · 26.290 · 26.291 · 26.292 · 26.293 	<ul style="list-style-type: none"> [01] 8, 9 [01] 10, 11 [01] 12, 13 [01] 11, 13
--	---	--

	<p>Push-In Lampholders</p> <ul style="list-style-type: none"> · 26.306 · 26.307 · 26.308 · 26.310 	<ul style="list-style-type: none"> [01] 14, 15 [01] 19, 20 [01] 16-18 [01] 18
--	--	---

	<p>End Fixing Lampholders</p> <ul style="list-style-type: none"> · 26.422 · 26.431 	<ul style="list-style-type: none"> [01] 21-23 [01] 23-25
--	---	--

	<p>G5 Push-Through Lampholders</p> <ul style="list-style-type: none"> · 26.613 · 26.620 	<ul style="list-style-type: none"> [01] 29 [01] 26-28
	<p>GX5 Push-Through Lampholders</p> <ul style="list-style-type: none"> · 26.620 	<ul style="list-style-type: none"> [01] 30

	<p>G5 Push-In Lampholders</p> <ul style="list-style-type: none"> · 26.660 · 26.661 · 26.662 · 26.665 	<ul style="list-style-type: none"> [01] 34 [01] 31 [01] 32, 33 [01] 33
	<p>End Mount Lampholders</p> <ul style="list-style-type: none"> · 26.640 · 26.641 	<ul style="list-style-type: none"> [01] 38 [01] 35-38

	<p>Accessories for End Mount Lampholders</p> <ul style="list-style-type: none"> · 26.926 	<ul style="list-style-type: none"> [01] 39
	<p>G5 Connector</p> <ul style="list-style-type: none"> · 26.642 	<ul style="list-style-type: none"> [01] 40
	<p>Accessories for G5 connector</p> <ul style="list-style-type: none"> · 26.642 	<ul style="list-style-type: none"> [01] 40

Linear Fluorescents: General Applications

Table of Contents



2GX13

· 26.732

[01] 41

Accessories for 2GX13 lampholders

· 26.732

[01] 42

W4.3 x 8.5d

· 26.607

[01] 43, 44



Starter holders

· 26.514

[01] 45

· 26.515

[01] 46

· 26.519

[01] 45



Accessories

· 26.911

[01] 47

· 26.912

[01] 44

· 26.919

[01] 47

Linear Fluorescents: General Applications

General Information



All articles in this chapter have been designed according to UL and / or CSA, and / or to the appropriate international standards (VDE / IEC).

The choice of product and correct technical application is the sole responsibility of the user.

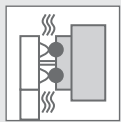
Further information available on request. We reserve the right to modify products without notice.

Where no electrical rating is stated then, fluorescent lampholders and starter holders are designed for 250 V / 2 A and G5 lampholders for 500 V / 2A according to IEC 60400 / VDE 0616 part 3. When regulations deviate from IEC, i.e. UL, other ratings are possible.

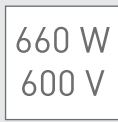
Rotor fixing 90° - G13 lampholders with rotor have a 90° rotor fixing unless otherwise stated.

Please also note the general information at the end of this catalog and the directions for use.

Explanation of the symbols shown on the product pages



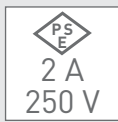
Airpass-Rotor Air-Pass Rotors are manufactured from a highly heat resistant material. The Air-Pass Rotor also provides point contact with the lamp cap, creating an air gap between the face of the lampholder and the lamp cap (minimizing thermal convection and maximizing heat dissipation) resulting in the lampholder operating at a lower temperature. This simple but effective rotor system has proven itself over more than a decade in millions of applications.



Rating
Indication of rated values.
For approval cULus (USA).



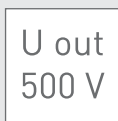
Top Test - for efficient final testing of lighting fixtures
Our trade mark „Top Test“ refers to two test ports located in the top of the lampholder. The electrodes of the Top Test adapter are inserted here to connect with the internal contacts of the lampholder, allowing a fast final circuit test without the need for test lamp insertion and removal. See page 46.



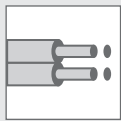
Rating
Indication of rated values.
For approval PSE (Japan).



Front Test - for efficient final testing of lighting fixtures
In principle this method is the same as Top Test except that the adapter electrodes are inserted directly into the rotor from the front. See page 46.



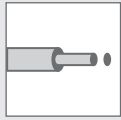
Rating
Rated voltage 500V for the application with electronic mains ballasts having an output voltage U_{out} up to 500 V.



Twin push wire terminals



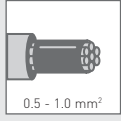
IEC protection class rating
(International dust and water rating)
For push in lampholders, the stated type of protection relates only to the snap fix connection to the mounting surface.



Single push wire terminals



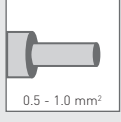
2D or 3D CAD format files available



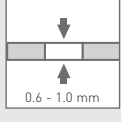
For tinned wire ends within the cross sectional range indicated
(In this example 0.5 - 1.0 mm²)
When regulations deviate from IEC, other cross sections are possible (i.e. UL / CSA: cable 18 AWG).



Additional information
Further information about the products shown on this page can be found on the pages shown within this symbol.



For solid conductors within the cross sectional range indicated
(In this example 0.5 - 1.0 mm²)
When regulations deviate from IEC, other cross sections are possible (i.e. UL / CSA: cable 18 AWG).



Mounting material thickness
Indication in mm
(In this example 0.6 - 1.0 mm). We recommend to ensure snap mount products locate correctly and securely, that material is punched in the same direction of component insertion (to minimize the effects of burr)



Lampholder for Instantstart

Linear Fluorescents: General Applications

Technical Information



The information and values stated here are for quick reference only. For specific information please contact the relevant lamp manufacturer.

* For linear tubular fluorescent lamps the maximum angle of displacement for a pair of lampholders is 3°.

Wattage
- W -

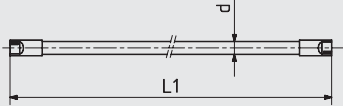
Total length
L1 max.
- mm -

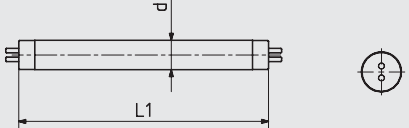
Tube diameter
- d -
- mm -

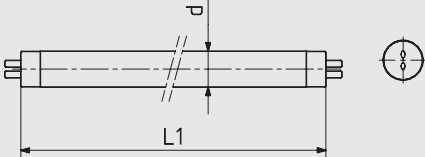
*** Lamphbase / standard**

Lamholder / standard

Lampholders
see page

T2 W4.3 x 8.5d 	6	219.3	7.0	W4.3 x 8.5d	W4.3 x 8.5d	[01] 43, 44
	8	320.9	7.0			
	11	422.5	7.0	IEC 60061-1 7004-115	IEC 60061-2 7005-115	
	13	524.1	7.0			

T5 G5 	4	135.9	16.0	G5	G5	[01] 26-29, 31-38
	6	212.1	16.0			
	8	288.3	16.0			
	13	516.9	16.0	IEC 60061-1 7004-52	IEC 60061-2 7005-51	
	14	549.0	16.0			
	21	849.0	16.0			
	24	549.0	16.0			
	28	1149.0	16.0			
	35	1449.0	16.0			
	39	849.0	16.0			
	54	1149.0	16.0			
80	1449.0	16.0				

T5 VHO GX5 	95	1449.0	16.0	GX5	GX5	[01] 30
	120	1449.0	16.0			
				IEC 60061-1 7004-52	IEC 60061-2 7005-52	

Linear Fluorescents: General Applications

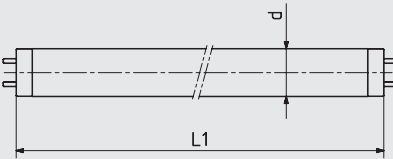
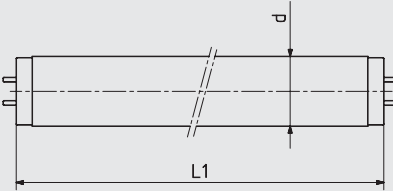
Technical Information

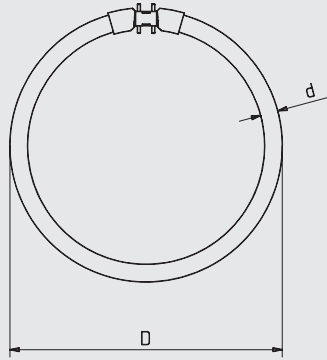


The information and values stated here are for quick reference only. For specific information please contact the relevant lamp manufacturer.

* For linear tubular fluorescent lamps the maximum angle of displacement for a pair of lampholders is 3°.

Wattage - W -	Total length L1 max. - mm -	Tube diameter - d - - mm -	* Lampbase / standard	Lamholder / standard	Lampholders see page
------------------	-----------------------------------	----------------------------------	--------------------------	-------------------------	-------------------------

T8 G13 	15	437.4	26.0	G13 IEC 60061-1 7004-51	G13 IEC 60061-2 7005-50	[01] 8-25
	16	720.0	26.0			
	18	589.8	26.0			
	30	894.6	26.0			
	36	970.0 / 1199.4	26.0			
	38	1047.0	26.0			
	58	1500.0	26.0			
70	1763.8	26.0				
T12 G13 	20	589.8	38.0	G13 IEC 60061-1 7004-51	G13 IEC 60061-2 7005-50	[01] 8-25
	25	970.0	38.0			
	30	894.6	38.0			
	40	1199.4	38.0			
	65	1500.0	38.0			
	75	1763.8	38.0			
	100	2374.3	38.0			

2GX13 	22	225.0	16.0	2GX13 IEC 60061-1 7004-125	2GX13 IEC 60061-2 7005-125	[01] 41
	40	300.0	16.0			
	55	300.0	16.0			
	60	367.0	16.0			

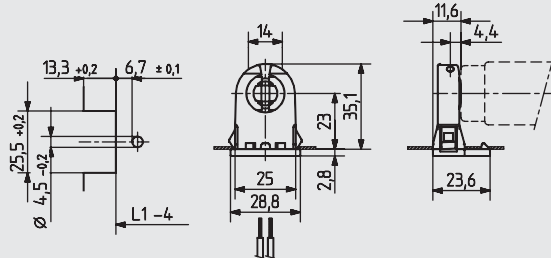
Linear Fluorescents: General Applications

G13 (Medium Bi-Pin): Push-Through Lampholders

26.290



pkg. wt. part no.
500 6 g **26.290.4011.50**

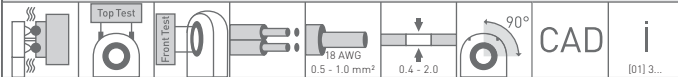


Lamp center: 23 mm
Push through mount
Housing: PC
Rotor: PBT

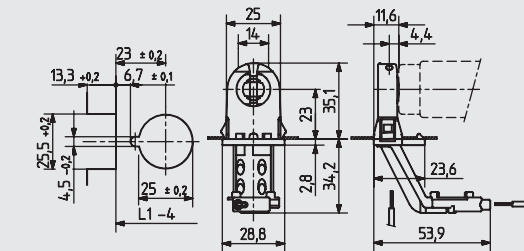
cULus file no.: E-92235

- For cut-outs open at the rear or enclosed cut-outs with 4.5 mm dia. locating hole
- A pair of lampholders provides a lamp length tolerance compensation of 3 mm

L1-4: Recommended cutout spacing. "L1" distance is determined by the length of the respective lamp.



pkg. wt. part no.
250 9 g **26.290.5011.50**



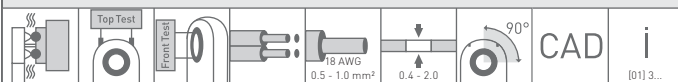
Lamp center: 23 mm
Push through mount
Housing: PC
Rotor: PBT

With starter holder

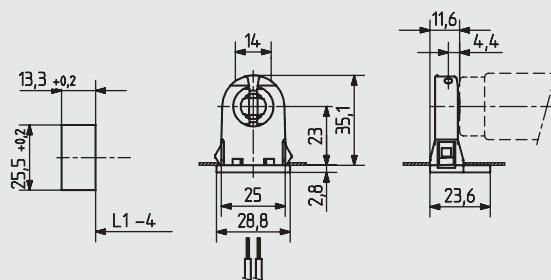
cULus file no.: E-92235

- For cut-outs open at the rear or enclosed cut-outs with 4.5 mm dia. locating hole
- A pair of lampholders provides a lamp length tolerance compensation of 3 mm

L1-4: Recommended cutout spacing. "L1" distance is determined by the length of the respective lamp.



pkg. wt. part no.
500 6 g **26.290.4012.50**

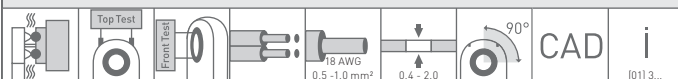


Lamp center: 23 mm
Push through mount
Housing: PC
Rotor: PBT

cULus file no.: E-92235

- For enclosed cut-outs
- A pair of lampholders provides a lamp length tolerance compensation of 3 mm

L1-4: Recommended cutout spacing. "L1" distance is determined by the length of the respective lamp.



Linear Fluorescents: General Applications

G13 (Medium Bi-Pin): Push-Through Lampholders

26.290



pkg. wt. part no.
250 9 g **26.290.5012.50**

Lamp center: 23 mm
Push through mount
Housing: PC
Rotor: PBT
With starter holder
cULus file no.: E-92235

- For enclosed cut-outs
- A pair of lampholders provides a lamp length tolerance compensation of 3 mm

L1-4: Recommended cutout spacing. "L1" distance is determined by the length of the respective lamp.

CAD
i
[01]3...

pkg. wt. part no.
250 10 g **26.290.5021.50**

Lamp center: 23 mm
Push through mount
Housing: PC
Rotor: PBT
With starter holder
cULus file no.: E-92235

- For cut-outs open at the rear or enclosed cut-outs with 4.5 mm dia. locating hole
- A pair of lampholders provides a lamp length tolerance compensation of 3 mm

L1-4: Recommended cutout spacing. "L1" distance is determined by the length of the respective lamp.

CAD
i
[01]3...

pkg. wt. part no.
250 10 g **26.290.5022.50**

Lamp center: 23 mm
Push through mount
Housing: PC
Rotor: PBT
With starter holder
cULus file no.: E-92235

- For enclosed cut-outs
- A pair of lampholders provides a lamp length tolerance compensation of 3 mm

L1-4: Recommended cutout spacing. "L1" distance is determined by the length of the respective lamp.

CAD
i
[01]3...

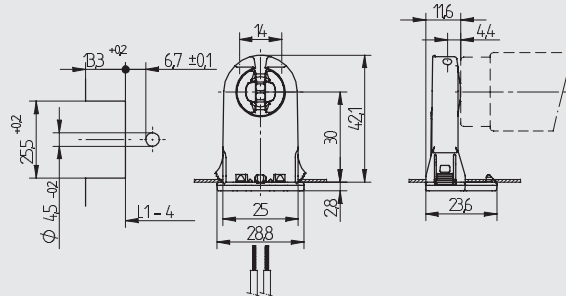
Linear Fluorescents: General Applications

G13 (Medium Bi-Pin): Push-Through Lampholders

26.291



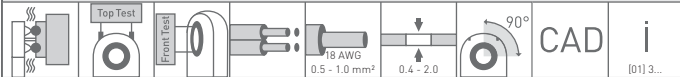
pkg. wt. part no.
500 7 g **26.291.4011.50**



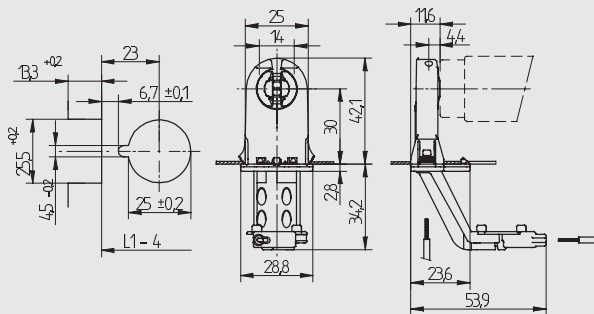
Lamp center: 30 mm
Push through mount
Housing: PC
Rotor: PBT
cULus file no.: E-92235

- For cut-outs open at the rear or enclosed cut-outs with 4.5 mm dia. locating hole
- A pair of lampholders provides a lamp length tolerance compensation of 3 mm

L1-4: Recommended cutout spacing. "L1" distance is determined by the length of the respective lamp.



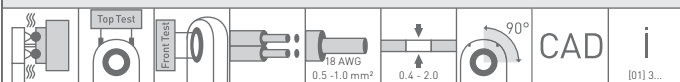
pkg. wt. part no.
250 10 g **26.291.5011.50**



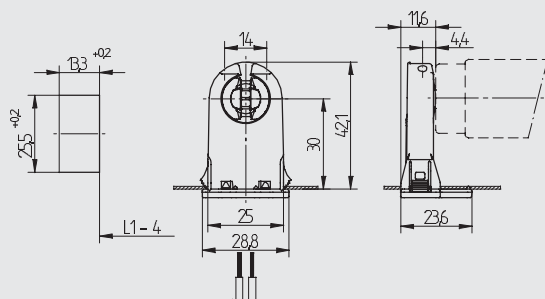
Lamp center: 30 mm
Push through mount
Housing: PC
Rotor: PBT
With starter holder
cULus file no.: E-92235

- For cut-outs open at the rear
- A pair of lampholders provides a lamp length tolerance compensation of 3 mm

L1-4: Recommended cutout spacing. "L1" distance is determined by the length of the respective lamp.



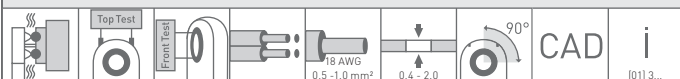
pkg. wt. part no.
500 7 g **26.291.4012.50**



Lamp center: 30 mm
Push through mount
Housing: PC
Rotor: PBT
cULus file no.: E-92235

- For enclosed cut-outs
- A pair of lampholders provides a lamp length tolerance compensation of 3 mm

L1-4: Recommended cutout spacing. "L1" distance is determined by the length of the respective lamp.




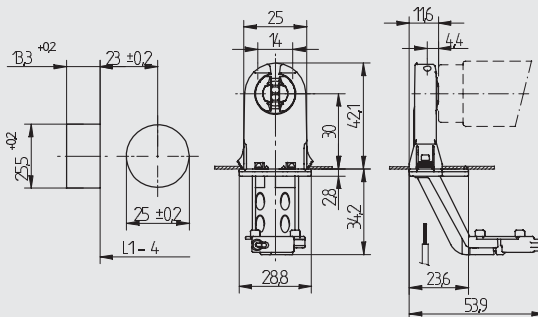
Linear Fluorescents: General Applications

26.291 26.293

G13 (Medium Bi-Pin): Push-Through Lampholders



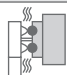


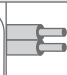
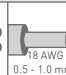

pkg. wt. part no.
250 10 g **26.291.5012.50**

Lamp center: 30 mm
Push through mount
Housing: PC
Rotor: PBT
With starter holder
cULus file no.: E-92235

- For enclosed cut-outs
- A pair of lampholders provides a lamp length tolerance compensation of 3 mm


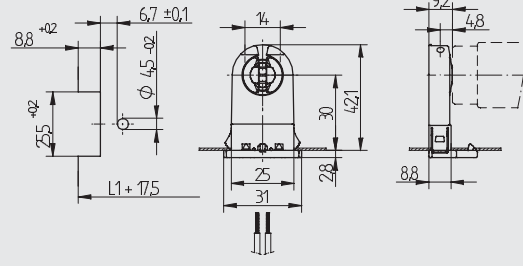
L1-4: Recommended cutout spacing. "L1" distance is determined by the length of the respective lamp.

CAD i

[01]3...

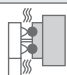


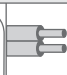
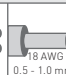

pkg. wt. part no.
500 6 g **26.293.1111.50**

Lamp center: 30 mm
Push through mount
Housing: PC
Rotor: PBT
cULus file no.: E-92235

- For cut-outs open at the rear or enclosed cut-outs with 4.5 mm dia. locating hole
- A pair of lampholders provides a lamp length tolerance compensation of 3 mm


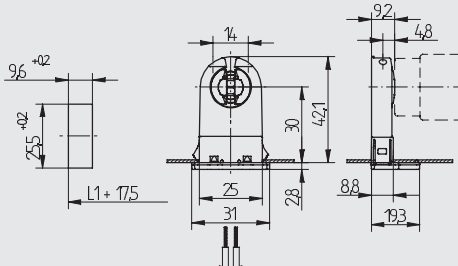
L1+17.5: Recommended cutout spacing. "L1" distance is determined by the length of the respective lamp.

CAD i

[01]3...

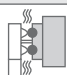


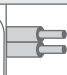
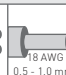

pkg. wt. part no.
500 6 g **26.293.1112.50**

Lamp center: 30 mm
Push through mount
Housing: PC
Rotor: PBT
cULus file no.: E-92235

- For enclosed cut-outs: 9.6 x 25.5 mm
- A pair of lampholders provides a lamp length tolerance compensation of 3 mm

L1+17.5: Recommended cutout spacing. "L1" distance is determined by the length of the respective lamp.

CAD i

[01]3...

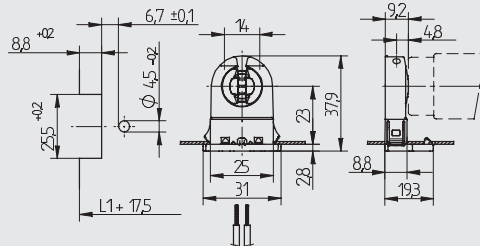
Linear Fluorescents: General Applications

G13 (Medium Bi-Pin): Push-Through Lampholders

26.292



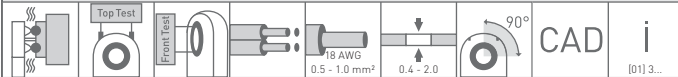
pkg. wt. part no.
500 6 g **26.292.1111.50**



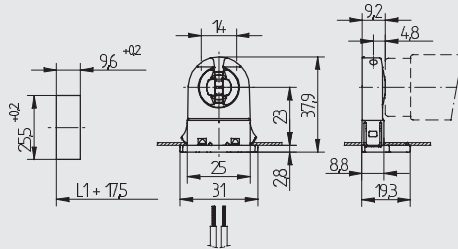
Lamp center: 23 mm
Push through mount
Housing: PC
Rotor: PBT
cULus file no.: E-92235

- For cut-outs open at the rear or enclosed cut-outs with 4.5 mm dia. locating hole
- A pair of lampholders provides a lamp length tolerance compensation of 3 mm

L1+17.5: Recommended cutout spacing. "L1" distance is determined by the length of the respective lamp.



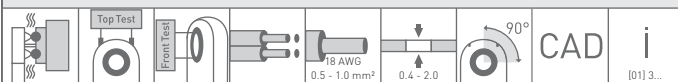
pkg. wt. part no.
500 6 g **26.292.1112.50**



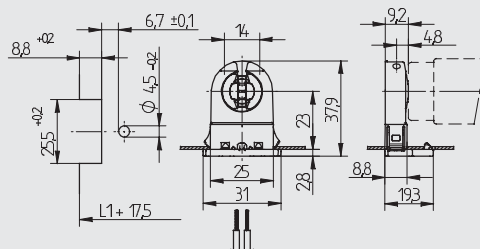
Lamp center: 23 mm
Push through mount
Housing: PC
Rotor: PBT
cULus file no.: E-92235

- For enclosed cut-outs: 9.6 x 25.5 mm
- A pair of lampholders provides a lamp length tolerance compensation of 3 mm

L1+17.5: Recommended cutout spacing. "L1" distance is determined by the length of the respective lamp.



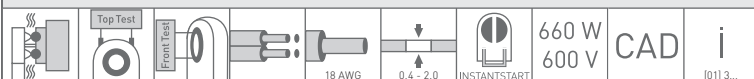
pkg. wt. part no.
500 6 g **26.292.6211.51**



Lamp center: 23 mm
Push through mount
Housing: PC
Rotor: PBT
cULus file no.: E-92235

- For cut-outs open at the rear or enclosed cut-outs with 4.5 mm dia. locating hole
- A pair of lampholders provides a lamp length tolerance compensation of 3 mm
- Instantstart version for USA and Canada: with integrated short circuiting bridge

L1+17.5: Recommended cutout spacing. "L1" distance is determined by the length of the respective lamp.



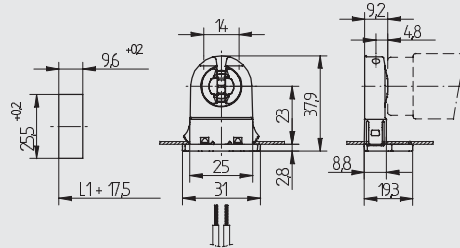
Linear Fluorescents: General Applications

26.292 26.293

G13 (Medium Bi-Pin): Push-Through Lampholders



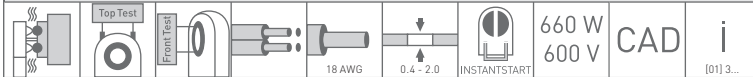
pkg. wt. part no.
500 6 g **26.292.6212.51**



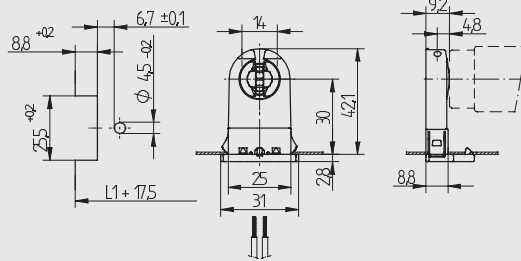
Lamp center: 23 mm
Push through mount
Housing: PC
Rotor: PBT
cULus file no.: E-92235

- For enclosed cut-outs: 9.6 x 25.5 mm
- A pair of lampholders provides a lamp length tolerance compensation of 3 mm
- Instantstart version for USA and Canada: with integrated short circuiting bridge

L1+17.5: Recommended cutout spacing. "L1" distance is determined by the length of the respective lamp.



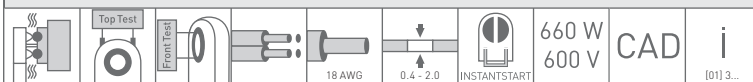
pkg. wt. part no.
500 6 g **26.293.6211.51**



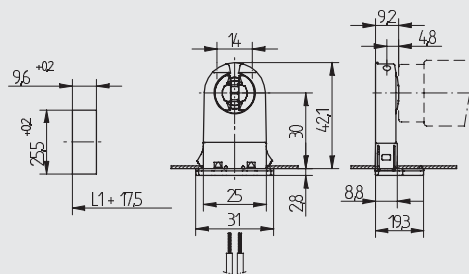
Lamp center: 30 mm
Push through mount
Housing: PC
Rotor: PBT
cULus file no.: E-92235

- For cut-outs open at the rear or enclosed cut-outs with 4.5 mm dia. locating hole
- A pair of lampholders provides a lamp length tolerance compensation of 3 mm
- Instantstart version for USA and Canada: with integrated short circuiting bridge

L1+17.5: Recommended cutout spacing. "L1" distance is determined by the length of the respective lamp.



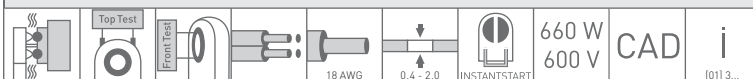
pkg. wt. part no.
500 6 g **26.293.6212.51**



Lamp center: 30 mm
Push through mount
Housing: PC
Rotor: PBT
cULus file no.: E-92235

- For enclosed cut-outs: 9.6 x 25.5 mm
- A pair of lampholders provides a lamp length tolerance compensation of 3 mm
- Instantstart version for USA and Canada: with integrated short circuiting bridge

L1+17.5: Recommended cutout spacing. "L1" distance is determined by the length of the respective lamp.



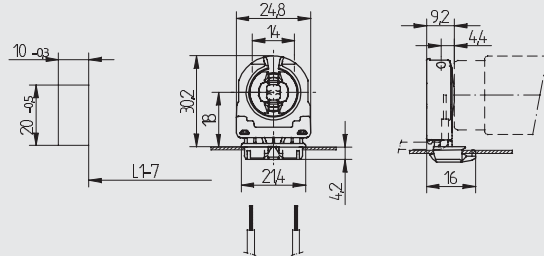
Linear Fluorescents: General Applications

G13 (Medium Bi-Pin): Push-In Lampholders

26.306



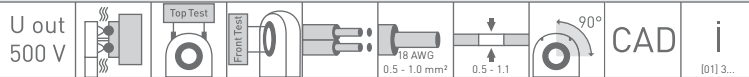
pkg. wt. part no.
500 4 g **26.306.1018.50**



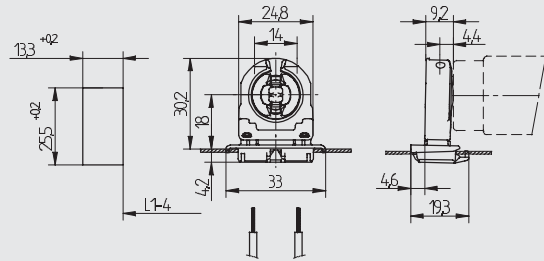
Lamp center: 18 mm
Snap-in foot 10 x 20 mm
Housing: PC
Rotor: PBT
cULus file no.: E-92235
Wiring: through snap in foot

- Can be wired from above or below the mounting plate.
- A pair of lampholders provides a lamp length tolerance compensation of 3 mm

L1-7: Recommended cutout spacing. "L1" distance is determined by the length of the respective lamp.



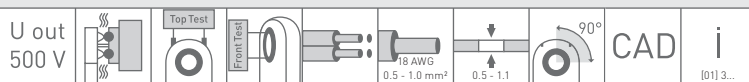
pkg. wt. part no.
500 5 g **26.306.1118.50**



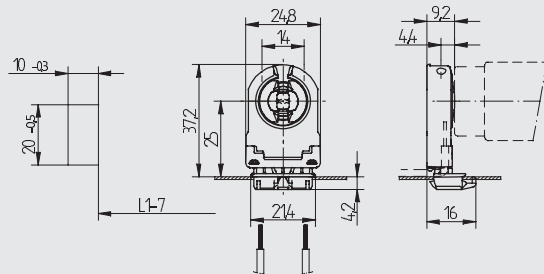
Lamp center: 18 mm
Snap-in foot 25.5 x 13.3 mm
Housing: PC
Rotor: PBT
cULus file no.: E-92235
Wiring: through snap in foot

- A pair of lampholders provides a lamp length tolerance compensation of 3 mm

L1-4: Recommended cutout spacing. "L1" distance is determined by the length of the respective lamp.



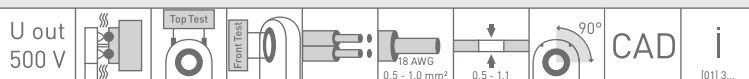
pkg. wt. part no.
500 5 g **26.306.1025.50**



Lamp center: 25 mm
Snap-in foot 10 x 20 mm
Housing: PC
Rotor: PBT
cULus file no.: E-92235
Wiring: through snap in foot

- Can be wired from above or below the mounting plate.
- A pair of lampholders provides a lamp length tolerance compensation of 3 mm

L1-7: Recommended cutout spacing. "L1" distance is determined by the length of the respective lamp.




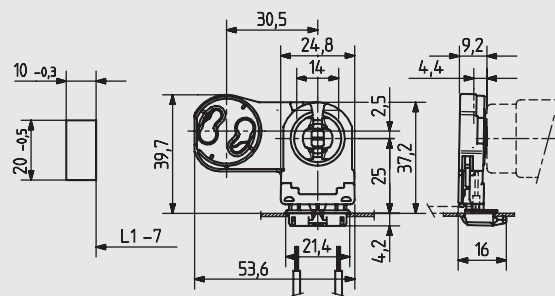
Linear Fluorescents: General Applications

G13 (Medium Bi-Pin): Push-In Lampholders

26.306



pkg. wt. part no.
500 8 g **26.306.5025.50**

Lamp center: 25 mm
Snap-in foot 10 x 20 mm
Housing: PC
Rotor: PBT
With starter holder
cULus file no.: E-92235
Wiring: through snap in foot

- A pair of lampholders provides a lamp length tolerance compensation of 3 mm

L1-7: Recommended cutout spacing. "L1" distance is determined by the length of the respective lamp.

U out
500 V

Top Test

Front Test

18 AWG
0.5 - 1.0 mm²


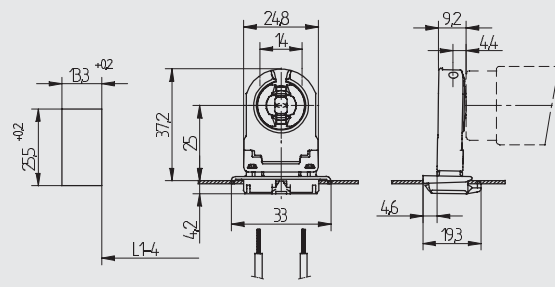
0.5 - 1.1

90°

CAD i

[01] 3...

pkg. wt. part no.
500 5 g **26.306.1125.50**

Lamp center: 25 mm
Snap-in foot 25.5 x 13.3 mm
Housing: PC
Rotor: PBT
cULus file no.: E-92235
Wiring: through snap in foot

- A pair of lampholders provides a lamp length tolerance compensation of 3 mm

L1-4: Recommended cutout spacing. "L1" distance is determined by the length of the respective lamp.

U out
500 V

Top Test

Front Test

18 AWG
0.5 - 1.0 mm²


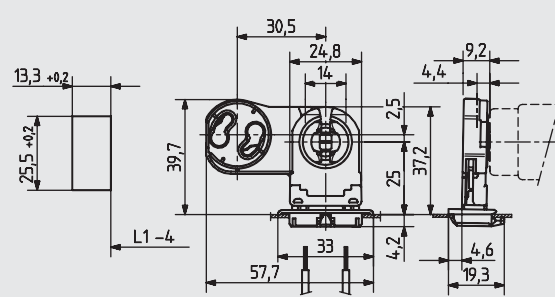
0.5 - 1.1

90°

CAD i

[01] 3...

pkg. wt. part no.
500 7 g **26.306.5125.50**

Lamp center: 25 mm
Snap-in foot 25.5 x 13.3 mm
Housing: PC
Rotor: PBT
With starter holder
cULus file no.: E-92235
Wiring: through snap in foot

- A pair of lampholders provides a lamp length tolerance compensation of 3 mm

L1-4: Recommended cutout spacing. "L1" distance is determined by the length of the respective lamp.

U out
500 V

Top Test

Front Test

18 AWG
0.5 - 1.0 mm²

0.5 - 1.1

90°

CAD i

[01] 3...

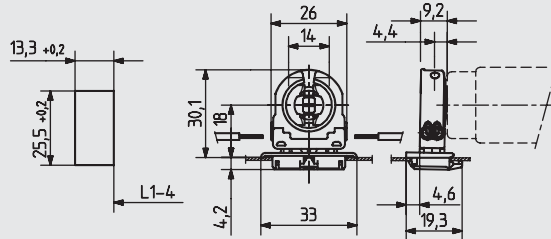
Linear Fluorescents: General Applications

G13 (Medium Bi-Pin): Push-In Lampholders

26.308



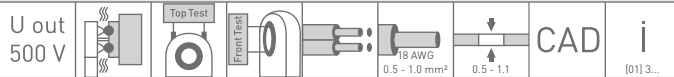
pkg. wt. part no.
500 8 g **26.308.1118.50**



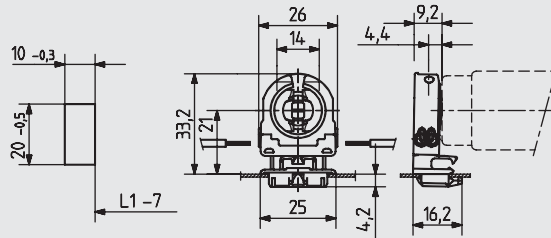
Lamp center: 18 mm
 Snap-in foot 25.5 x 13.3 mm
 Housing: PC
 Rotor: PBT
 cULus file no.: E-92235
 Wiring: Side entry wiring

- With snap in foot and closed base, IP 40. With foot gasket IP 50.
- A pair of lampholders provides a lamp length tolerance compensation of 3 mm

L1-4: Overall assembly length. "L1" distance is determined by the length of the respective lamp.



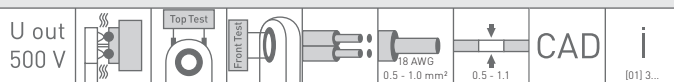
pkg. wt. part no.
500 7 g **26.308.1021.50**



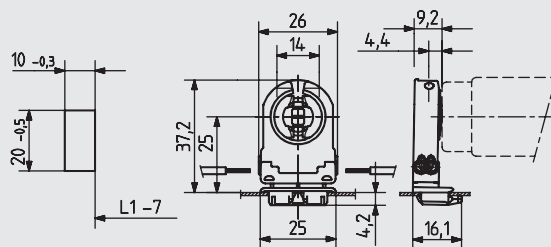
Lamp center: 21 mm
 Snap-in foot 10 x 20 mm
 Housing: PC
 Rotor: PBT
 cULus file no.: E-92235
 Wiring: Side entry wiring

- With cable support
- With snap in foot and closed base, IP 40
- A pair of lampholders provides a lamp length tolerance compensation of 3 mm

L1-7: Recommended cutout spacing. "L1" distance is determined by the length of the respective lamp.



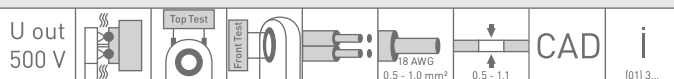
pkg. wt. part no.
500 6 g **26.308.1025.50**



Lamp center: 25 mm
 Snap-in foot 10 x 20 mm
 Housing: PC
 Rotor: PBT
 cULus file no.: E-92235
 Wiring: Side entry wiring

- With snap in foot and closed base, IP 40
- A pair of lampholders provides a lamp length tolerance compensation of 3 mm

L1-7: Recommended cutout spacing. "L1" distance is determined by the length of the respective lamp



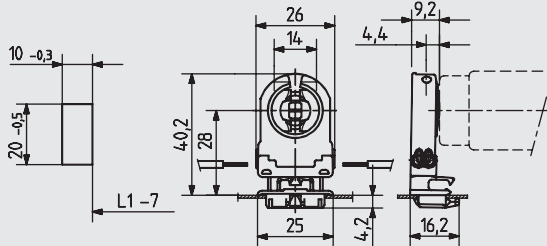
Linear Fluorescents: General Applications

G13 (Medium Bi-Pin): Push-In Lampholders

26.308



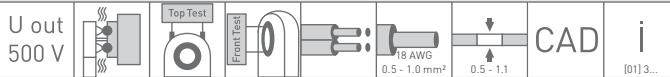
pkg. wt. part no.
500 8 g **26.308.1028.50**



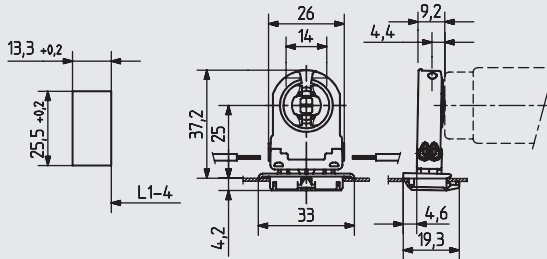
Lamp center: 28 mm
Snap-in foot 10 x 20 mm
Housing: PC
Rotor: PBT
cULus file no.: E-92235
Wiring: Side entry wiring

- With cable support
- With snap in foot and closed base, IP 40
- A pair of lampholders provides a lamp length tolerance compensation of 3 mm

L1-7: Recommended cutout spacing. "L1" distance is determined by the length of the respective lamp.



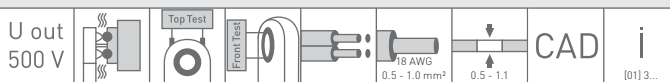
pkg. wt. part no.
500 6 g **26.308.1125.50**



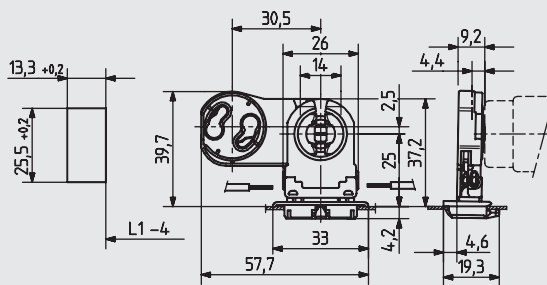
Lamp center: 25 mm
Snap-in foot 25.5 x 13.3 mm
Housing: PC
Rotor: PBT
cULus file no.: E-92235
Wiring: Side entry wiring

- With snap in foot and closed base, IP 40. With foot gasket IP 50.
- A pair of lampholders provides a lamp length tolerance compensation of 3 mm

L1-4: Recommended cutout spacing. "L1" distance is determined by the length of the respective lamp.



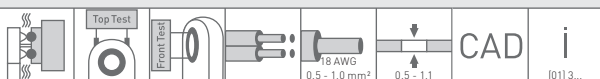
pkg. wt. part no.
500 9 g **26.308.5125.50**



Lamp center: 25 mm
Snap-in foot 25.5 x 13.3 mm
Housing: PC
Rotor: PBT
With starter holder
cULus file no.: E-92235
Wiring: Side entry wiring

- With snap in foot and closed base, IP 40. With foot gasket IP 50.
- A pair of lampholders provides a lamp length tolerance compensation of 3 mm

L1-4: Recommended cutout spacing. "L1" distance is determined by the length of the respective lamp.



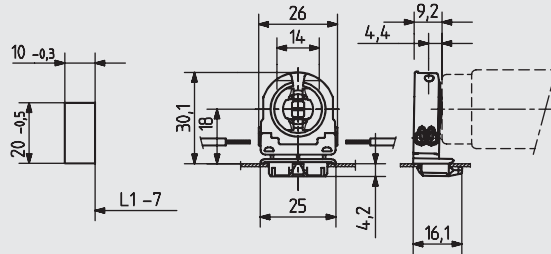
Linear Fluorescents: General Applications

26.308 26.310

G13 (Medium Bi-Pin): Push-In Lampholders



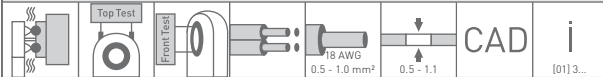
pkg. wt. part no.
500 6 g **26.308.1018.50**



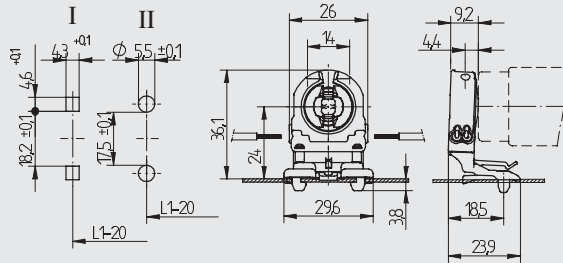
Lamp center: 18 mm
 Snap-in foot 10 x 20 mm
 Housing: PC
 Rotor: PBT
 cULus file no.: E-92235
 Wiring: Side entry wiring

- With snap in foot and closed base, IP 40
- A pair of lampholders provides a lamp length tolerance compensation of 3 mm

L1-7: Recommended cutout spacing. "L1" distance is determined by the length of the respective lamp.



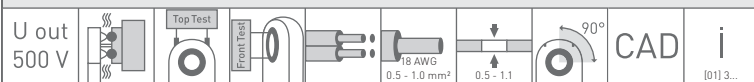
pkg. wt. part no.
500 5 g **26.310.1123.50**



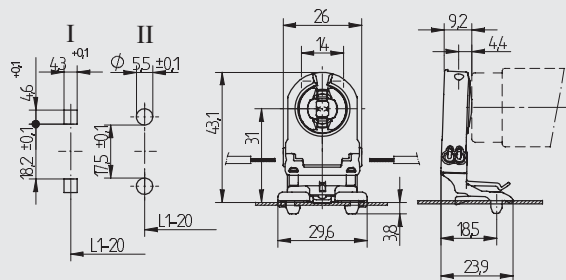
Lamp center: 24 mm
 Push-in pins (for hole pattern 5.5 mm dia. or 4.3 x 4.6 mm)
 Housing: PC
 Rotor: PBT
 cULus file no.: E-92235
 Wiring: Side entry wiring

- With cable support
- Snap in pins for IP 40
- A pair of lampholders provides a lamp length tolerance compensation of 3 mm

L1-20: Recommended mounting hole pattern spacing. "L1" distance is determined by the length of the respective lamp.



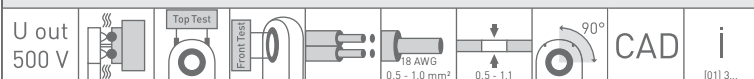
pkg. wt. part no.
500 6 g **26.310.1130.50**



Lamp center: 31 mm
 Push-in pins (for hole pattern 5.5 mm dia. or 4.3 x 4.6 mm)
 Housing: PC
 Rotor: PBT
 cULus file no.: E-92235
 Wiring: Side entry wiring

- With cable support
- Snap in pins for IP 40
- A pair of lampholders provides a lamp length tolerance compensation of 3 mm

L1-20: Recommended mounting hole pattern spacing. "L1" distance is determined by the length of the respective lamp.



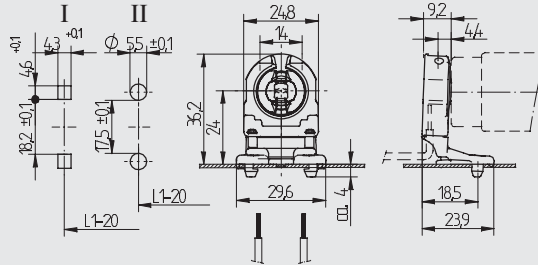
Linear Fluorescents: General Applications

G13 (Medium Bi-Pin): Push-In Lampholders

26.307



pkg. wt. part no.
500 6 g **26.307.1023.50**



Lamp center: 24 mm
 Push-in pins (for hole pattern 5.5 mm dia. or 4.3 x 4.6 mm)
 Housing: PC
 Rotor: PBT
 cULus file no.: E-92235
 Wiring: through the body

- Snap in pins for IP 40
- A pair of lampholders provides a lamp length tolerance compensation of 3 mm

L1-20: Recommended mounting hole pattern spacing. "L1" distance is determined by the length of the respective lamp.

U out 500 V

Top Test

Front Test

18 AWG 0.5 - 1.0 mm²

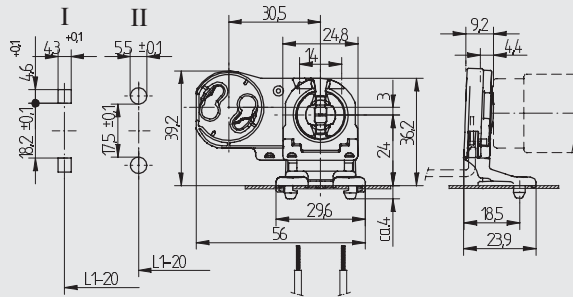
18 AWG 0.5 - 1.1 mm²

90°

CAD i

[01] 3...

pkg. wt. part no.
500 9 g **26.307.5023.50**



Lamp center: 24 mm
 Push-in pins (for hole pattern 5.5 mm dia. or 4.3 x 4.6 mm)
 Housing: PC
 Rotor: PBT
 With starter holder
 cULus file no.: E-92235
 Wiring: through the body

- Snap in pins for IP 40
- A pair of lampholders provides a lamp length tolerance compensation of 3 mm

L1-20: Recommended mounting hole pattern spacing. "L1" distance is determined by the length of the respective lamp.

U out 500 V

Top Test

Front Test

18 AWG 0.5 - 1.0 mm²

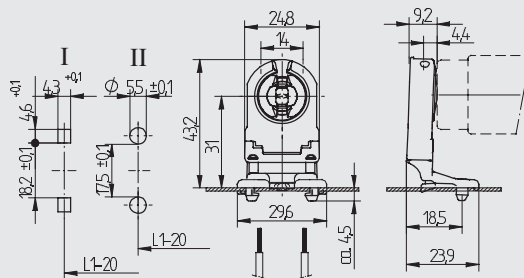
18 AWG 0.5 - 1.1 mm²

90°

CAD i

[01] 3...

pkg. wt. part no.
500 8 g **26.307.1030.50**



Lamp center: 31 mm
 Push-in pins (for hole pattern 5.5 mm dia. or 4.3 x 4.6 mm)
 Housing: PC
 Rotor: PBT
 cULus file no.: E-92235
 Wiring: through the body

- Snap in pins for IP 40
- A pair of lampholders provides a lamp length tolerance compensation of 3 mm

L1-20: Recommended mounting hole pattern spacing. "L1" distance is determined by the length of the respective lamp.

U out 500 V

Top Test

Front Test

18 AWG 0.5 - 1.0 mm²

18 AWG 0.5 - 1.1 mm²

90°

CAD i

[01] 3...

Linear Fluorescents: General Applications

G13 (Medium Bi-Pin): Push-In Lampholders

26.307



pkg. wt. part no.
500 11 g **26.307.5030.50**

Lamp center: 31 mm
 Push-in pins (for hole pattern 5.5 mm dia. or 4.3 x 4.6 mm)
 Housing: PC
 Rotor: PBT
 With starter holder
 cULus file no.: E-92235
 Wiring: through the body

- Snap in pins for IP 40
- A pair of lampholders provides a lamp length tolerance compensation of 3 mm

L1-20: Recommended mounting hole pattern spacing. "L1" distance is determined by the length of the respective lamp.

pkg. wt. part no.
500 8 g **26.307.6023.51**

Lamp center: 24 mm
 Push-in pins (for hole pattern 5.5 mm dia. or 4.3 x 4.6 mm)
 Housing: PC
 Rotor: PBT
 cULus file no.: E-92235
 Wiring: through the body

- Snap in pins for IP 40
- A pair of lampholders provides a lamp length tolerance compensation of 3 mm
- Instantstart version for USA and Canada: with integrated short circuiting bridge

L1-20: Recommended mounting hole pattern spacing. "L1" distance is determined by the length of the respective lamp.

pkg. wt. part no.
500 10 g **26.307.6030.51**

Lamp center: 31 mm
 Push-in pins (for hole pattern 5.5 mm dia. or 4.3 x 4.6 mm)
 Housing: PC
 Rotor: PBT
 cULus file no.: E-92235
 Wiring: through the body

- Snap in pins for IP 40
- A pair of lampholders provides a lamp length tolerance compensation of 3 mm
- Instantstart version for USA and Canada: with integrated short circuiting bridge

L1-20: Recommended mounting hole pattern spacing. "L1" distance is determined by the length of respective lamp.

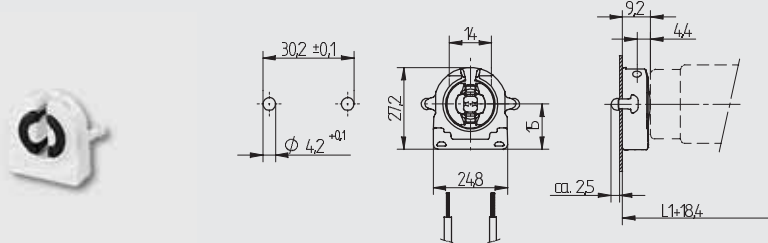
Linear Fluorescents: General Applications

26.422

G13 (Medium Bi-Pin): End Mount Lampholders

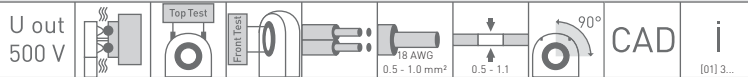


pkg. wt. part no.
500 5 g **26.422.1009.50**

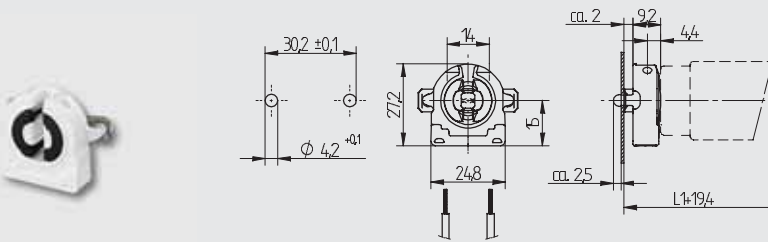


Snap-in pins
Housing: PC
Rotor: PBT
Lampholder thickness: 9,2 mm
cULus file no.: E-92235
Wiring: through the body

L1±18.4: Recommended mounting surface spacing (for A = 9.2). "L1" distance is determined by the length of the respective lamp.



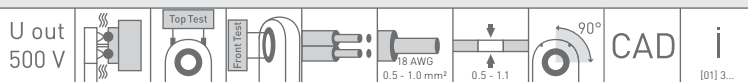
pkg. wt. part no.
500 5 g **26.422.1109.50**



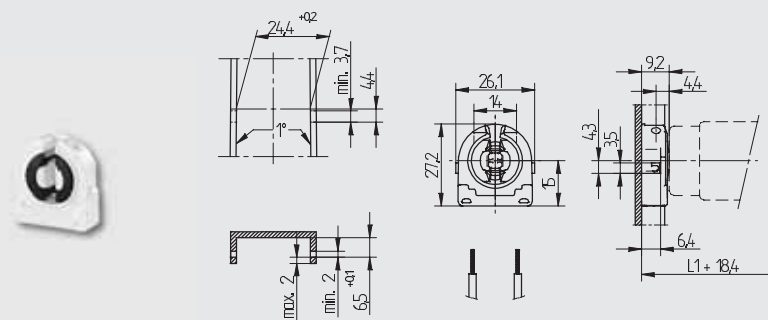
Snap-in pins with spring
Housing: PC
Rotor: PBT
Lampholder thickness: 9,2 mm
cULus file no.: E-92235
Wiring: through the body

- One lampholder with leaf spring allows a lamp length tolerance compensation of 2 mm

L1±19.4: Recommended mounting surface spacing (for A = 9.2). "L1" distance is determined by the length of the respective lamp.



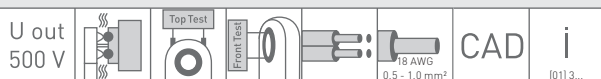
pkg. wt. part no.
500 5 g **26.422.1209.50**



Snap-in mounting lugs
Housing: PC
Rotor: PBT
Lampholder thickness: 9,2 mm
cULus file no.: E-92235
Wiring: through the body

- For use in custom moldings (e.g. luminaires end caps)

L1±18.4: Recommended mounting surface spacing (for A = 9.2). "L1" distance is determined by the length of the respective lamp.



Linear Fluorescents: General Applications

G13 (Medium Bi-Pin): End Mount Lampholders

26.422



pkg. wt. part no.
500 6 g **26.422.1210.50**

Snap-in mounting lugs
Housing: PC
Rotor: PBT
Lampholder thickness: 10,5 mm
cULus file no.: E-92235
Wiring: through the body

L1 + 21: Recommended dimension - the final distance should be governed by the dimensions of the respective lamps and luminaires.

U out
500 V

Top Test

Front Test

18 AWG
0.5 - 1.0 mm²

90°

CAD

i
[01] 3...

pkg. wt. part no.
500 5 g **26.422.1409.50**

Snap-in mounting holes
Housing: PC
Rotor: PBT
Lampholder thickness: 9,2 mm
cULus file no.: E-92235
Wiring: through the body

L1+18.4: Recommended mounting surface spacing [for A = 9.2]. "L1" distance is determined by the length of the respective lamp.

U out
500 V

Top Test

Front Test

18 AWG
0.5 - 1.0 mm²

CAD

i
[01] 3...

pkg. wt. part no.
500 6 g **26.422.6009.51**

Snap-in pins
Housing: PC
Rotor: PBT
Lampholder thickness: 9,2 mm
cULus file no.: E-92235
Wiring: through the body

- Instantstart version for USA and Canada: with integrated short circuiting bridge

L1+18.4: Recommended mounting surface spacing [for A = 9.2]. "L1" distance is determined by the length of the respective lamp.

U out
600 V

Top Test

Front Test

18 AWG
0.5 - 1.1

INSTANTSTART

90°

660 W
600 V

CAD

i
[01] 3...

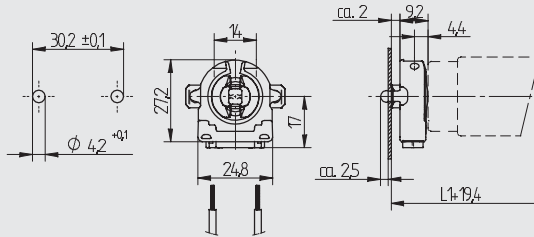
Linear Fluorescents: General Applications

26.422 26.431

G13 (Medium Bi-Pin): End Mount Lampholders



pkg. wt. part no.
500 6 g **26.422.6109.51**



Snap-in pins with spring

Housing: PC

Rotor: PBT

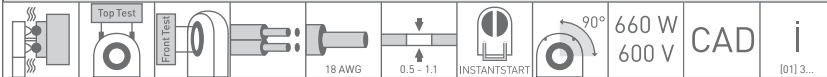
Lampholder thickness: 9.2 mm

cULus file no.: E-92235

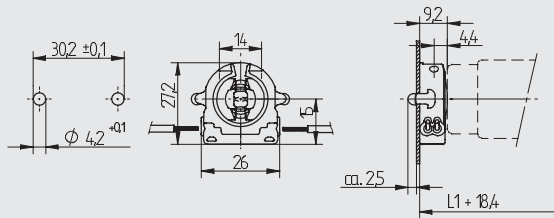
Wiring: through the body

- One lampholder with leaf spring allows a lamp length tolerance compensation of 2 mm
- Instantstart version for USA and Canada: with integrated short circuiting bridge

L1+19.4: Recommended mounting surface spacing (for A = 9.2). "L1" distance is determined by the length of the respective lamp.



pkg. wt. part no.
500 5 g **26.431.1009.50**



Snap-in pins

Housing: PC

Rotor: PBT

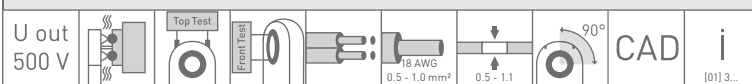
Lampholder thickness: 9.2 mm

cULus file no.: E-92235

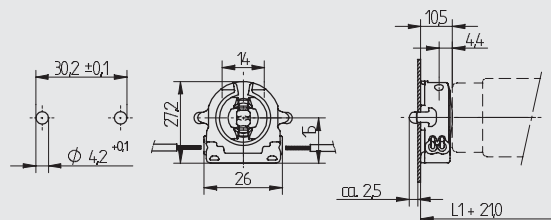
Wiring: Side entry wiring

- Surface side wiring

L1+18.4: Recommended mounting surface spacing (for A = 10.5). "L1" distance is determined by the length of the respective lamp.



pkg. wt. part no.
500 5 g **26.431.1010.50**



Snap-in pins

Housing: PC

Rotor: PBT

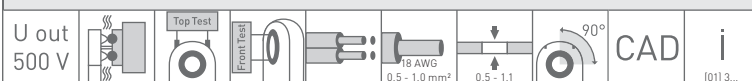
Lampholder thickness: 10.5 mm

cULus file no.: E-92235

Wiring: Side entry wiring

- Surface side wiring

L1+21.0: Recommended mounting surface spacing (for A = 10.5). "L1" distance is determined by the length of the respective lamp.



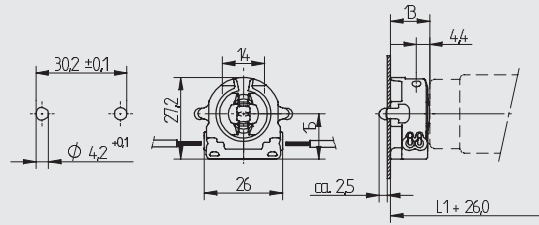
Linear Fluorescents: General Applications

G13 (Medium Bi-Pin): End Mount Lampholders

26.431

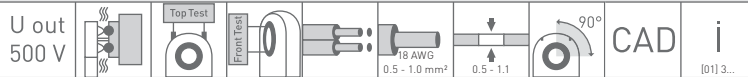


pkg. wt. part no.
500 6 g **26.431.1013.50**

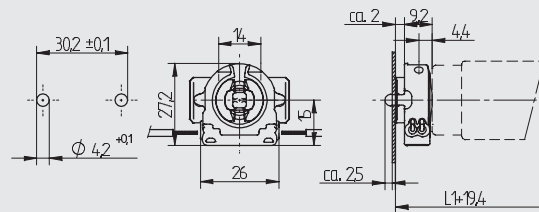


Side wire
Snap-in pins
Housing: PC
Rotor: PBT
Lampholder thickness: 13 mm
cULus file no.: E-92235
Wiring: Side entry wiring
• Surface side wiring

L1+26.0: Recommended mounting surface spacing (for A = 13). "L1" distance is determined by the length of the respective lamp.

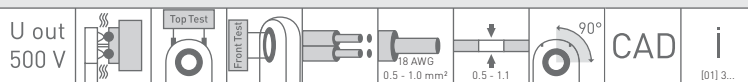


pkg. wt. part no.
500 5 g **26.431.1309.50**

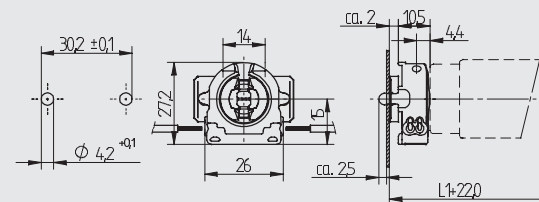


Snap-in pins with spring
Housing: PC
Rotor: PBT
Lampholder thickness: 9.2 mm
cULus file no.: E-92235
Wiring: Side entry wiring
• One lampholder with leaf spring allows a lamp length tolerance compensation of 2 mm

L1+19.4: Recommended mounting surface spacing (for A = 9.2). "L1" distance is determined by the length of the respective lamp.

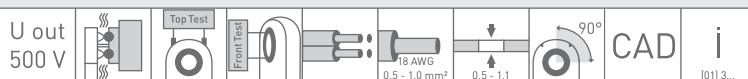


pkg. wt. part no.
500 5 g **26.431.1310.50**



Snap-in pins with spring
Housing: PC
Rotor: PBT
Lampholder thickness: 10.5 mm
cULus file no.: E-92235
Wiring: Side entry wiring
• One lampholder with leaf spring allows a lamp length tolerance compensation of 2 mm

L1+22.0: Recommended mounting surface spacing (for A = 10.5). "L1" distance is determined by the length of the respective lamp.



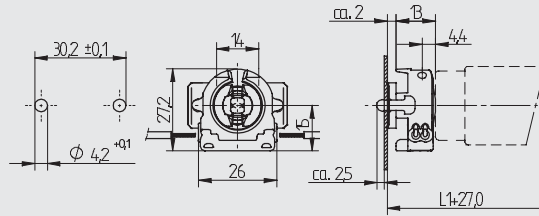
Linear Fluorescents: General Applications

26.431

G13 (Medium Bi-Pin): End Mount Lampholders



pkg.	wt.	part no.
500	6 g	26.431.1313.50



Snap-in pins with spring

Housing: PC

Rotor: PBT

Lampholder thickness: 13 mm

cULus file no.: E-92235

Wiring: Side entry wiring

- One lampholder with leaf spring allows a lamp length tolerance compensation of 2 mm

L1+27.0: Recommended mounting surface spacing (for A = 13). "L1" distance is determined by the length of the respective lamp.
See page 100-5 for lamp data

U out 500 V		Top Test		Front Test		18 AWG 0.5 - 1.0 mm ²		0.5 - 1.1		CAD	i	[01] 3...
----------------	--	----------	--	------------	--	-------------------------------------	--	-----------	--	-----	---	-----------

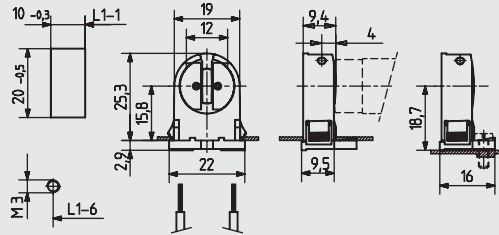
Linear Fluorescents: General Applications

26.620

G5 (T5): Push-Through Lampholders



pkg. wt. part no.
1000 3 g **26.620.2001.50**

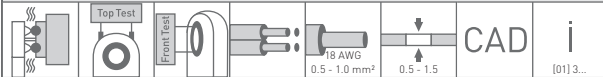


Lamp center: 15.8 / 18.7 mm
Snap-in / screw mount foot
Housing: PC
Rotor: PBT

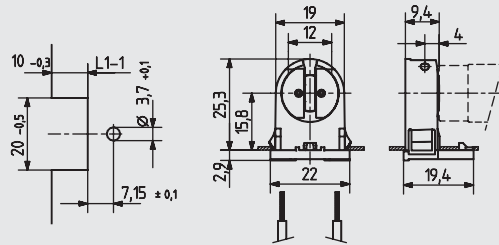
cULus file no.: E-92235

- For enclosed cut-outs: 10 x 20 mm
- A pair of lampholders provides a lamp length tolerance compensation of 2 mm

L1-1 / L1-6: Recommended cutout spacing. "L1" distance is determined by the length of the respective lamp.



pkg. wt. part no.
1000 3 g **26.620.2003.50**

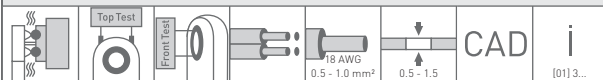


Lamp center: 15.8 mm
Push through mount
Housing: PC
Rotor: PBT

cULus file no.: E-92235

- For cut-outs open at the rear: 10 x 20 mm
- A pair of lampholders provides a lamp length tolerance compensation of 2 mm

L1-1: Recommended cutout spacing. "L1" distance is determined by the length of the respective lamp.



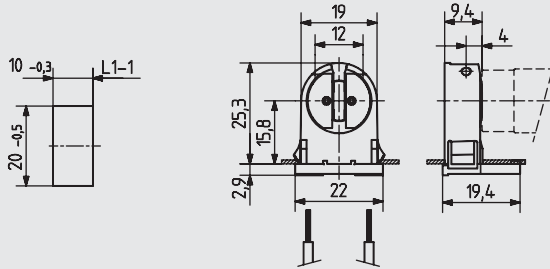
Linear Fluorescents: General Applications

G5 (T5): Push-Through Lampholders

26.620

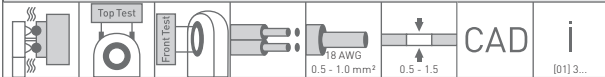


pkg. wt. part no.
1000 3 g **26.620.2004.50**

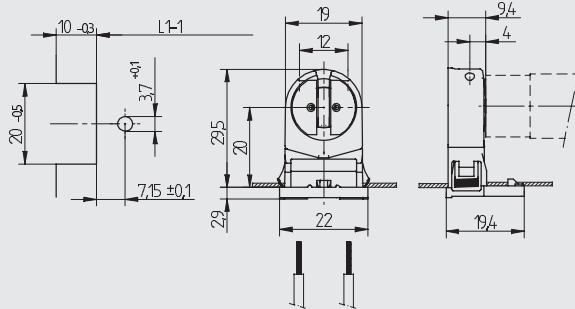


Lamp center: 15.8 mm
 Push through mount
 Housing: PC
 Rotor: PBT
 cULus file no.: E-92235
 • For enclosed cut-outs: 10 x 20 mm
 • A pair of lampholders provides a lamp length tolerance compensation of 2 mm

L1-1: Recommended cutout spacing. "L1" distance is determined by the length of the respective lamp.

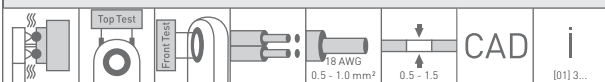


pkg. wt. part no.
1000 3 g **26.620.2005.50**

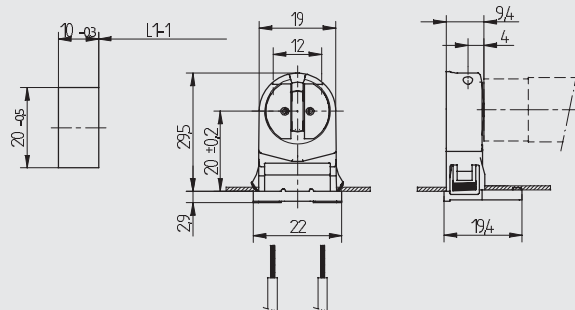


Lamp center: 20 mm
 Push through mount
 Housing: PC
 Rotor: PBT
 cULus file no.: E-92235
 • For cut-outs open at the rear: 10 x 20 mm
 • A pair of lampholders provides a lamp length tolerance compensation of 2 mm

L1-1: Recommended cutout spacing. "L1" distance is determined by the length of the respective lamp.

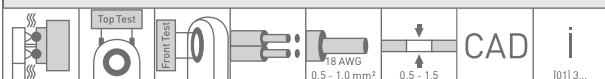


pkg. wt. part no.
1000 3 g **26.620.2006.50**



Lamp center: 20 mm
 Push through mount
 Housing: PC
 Rotor: PBT
 cULus file no.: E-92235
 • For enclosed cut-outs: 10 x 20 mm
 • A pair of lampholders provides a lamp length tolerance compensation of 2 mm

L1-1: Recommended cutout spacing. "L1" distance is determined by the length of the respective lamp.



Linear Fluorescents: General Applications

26.620

G5 (T5): Push-Through Lampholders



pkg. wt. part no.
1000 3 g **26.620.2012.50**

Lamp center: 25 / 27.5 mm
Snap-in / screw mount foot
Housing: PC
Rotor: PBT
cULus file no.: E-92235

- For enclosed cut-outs: 10 x 20 mm
- A pair of lampholders provides a lamp length tolerance compensation of 2 mm

L1-1 / L1-6: Recommended cutout spacing. "L1" distance is determined by the length of the respective lamp.

18 AWG
0.5 - 1.0 mm²

0.5 - 1.5

CAD i

[01] 3...

pkg. wt. part no.
500 5 g **26.620.2017.50**

Lamp center: 36 / 38.5 mm
Snap-in / screw mount foot
Housing: PC
Rotor: PBT

- For enclosed cut-outs: 10 x 20 mm
- A pair of lampholders provides a lamp length tolerance compensation of 2 mm

L1-6: Recommended dimension - The distance between the cut-outs and the tolerance should be governed by the dimensions of the respective lamps and luminaires.

18 AWG
0.5 - 1.0 mm²

0.5 - 1.5

CAD i

[01] 3...

pkg. wt. part no.
500 5 g **26.620.2018.50**

Lamp center: 36 mm
Housing: PC
Rotor: PBT

- For cut-outs open at the rear or enclosed cut-outs
- A pair of lampholders provides a lamp length tolerance compensation of 2 mm

L1-6: Recommended dimension - The distance between the cut-outs and the tolerance should be governed by the dimensions of the respective lamps and luminaires.

18 AWG
0.5 - 1.0 mm²

0.5 - 1.5

CAD i

[01] 3...

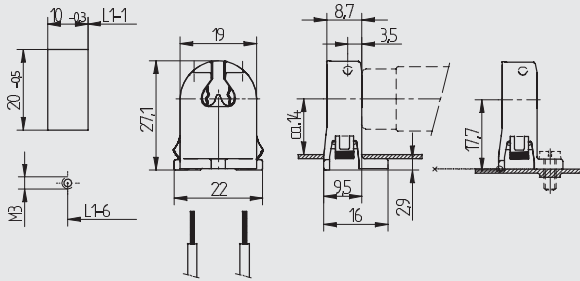
Linear Fluorescents: General Applications

26.613

G5 (T5): Push-Through Lampholders



pkg. wt. part no.
1000 3 g **26.613.1001.50**



Lamp center: 14 / 17.7 mm
Without rotor
Snap-in / screw mount foot
Housing: PC
cULus file no.: E-92235

- For enclosed cut-outs: 10 x 20 mm
- A pair of lampholders provides a lamp length tolerance compensation of 2 mm

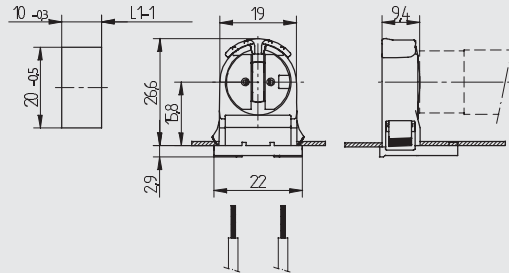
L1-1 / L1-6: Recommended cutout spacing. "L1" distance is determined by the length of the respective lamp.



Linear Fluorescents: General Applications

26.620

GX5 Push-Through lampholders



pkg. wt. part no.
1000 3 g **26.620.2304.50**

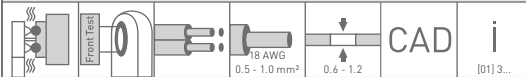
Lamp center: 15.8 mm
For T5 lamps Very High Output
Push through mount

Housing: PC
Rotor: PBT

cULus file no.: E-92235

- For enclosed cut-outs: 10 x 20 mm
- A pair of lampholders provides a lamp length tolerance compensation of 2 mm
- Nearly all G5 lampholders are available as GX5 versions.

L1-1: Recommended cutout spacing. "L1" distance is determined by the length of the respective lamp.



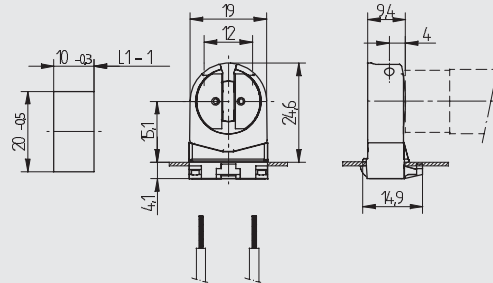
Linear Fluorescents: General Applications

G5 (T5): Push In Lampholders

26.661



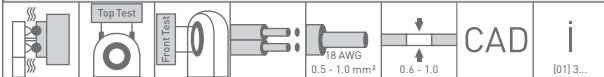
pkg. wt. part no.
1000 3 g **26.661.2001.50**



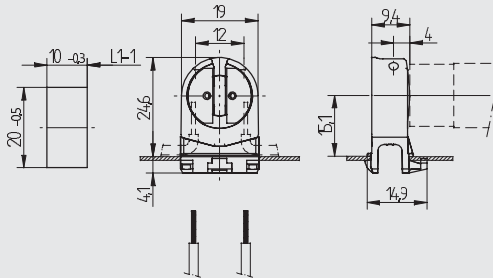
Lamp center: 15.1 mm
Snap-in foot 10 x 20 mm
Housing: PC
Rotor: PBT
cULus file no.: E-92235
Wiring: through the body

- A pair of lampholders provides a lamp length tolerance compensation of 2 mm

L1-1: Recommended cutout spacing. "L1" distance is determined by the length of the respective lamp.



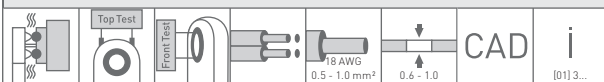
pkg. wt. part no.
1000 3 g **26.661.2002.50**



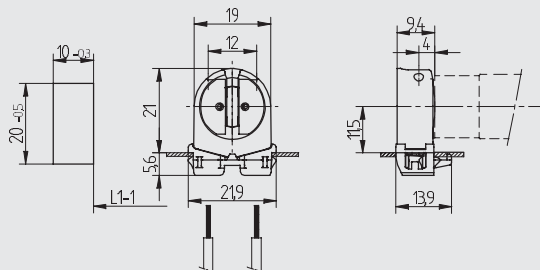
Lamp center: 15.1 mm
Snap-in foot 10 x 20 mm
Housing: PC
Rotor: PBT
cULus file no.: E-92235
Wiring: through the body

- Wiring above the mounting plate is also possible
- A pair of lampholders provides a lamp length tolerance compensation of 2 mm

L1-1: Recommended cutout spacing. "L1" distance is determined by the length of the respective lamp.



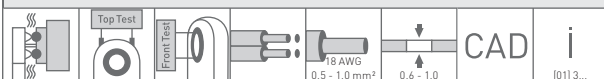
pkg. wt. part no.
1000 3 g **26.661.2004.50**



Lamp center: 11.5 mm
Snap-in foot 10 x 20 mm
Housing: PC
Rotor: PBT
cULus file no.: E-92235
Wiring: through the body

- With snap in foot and closed base, IP 40
- A pair of lampholders provides a lamp length tolerance compensation of 2 mm

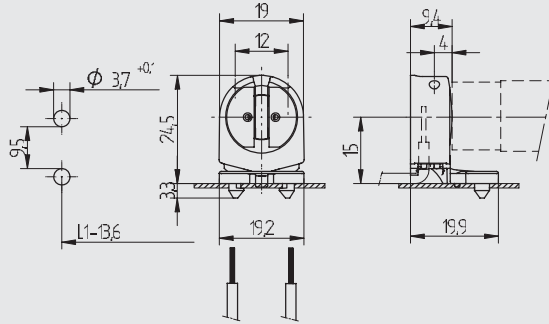
L1-1: Recommended cutout spacing. "L1" distance is determined by the length of the respective lamp.



Linear Fluorescents: General Applications

26.662

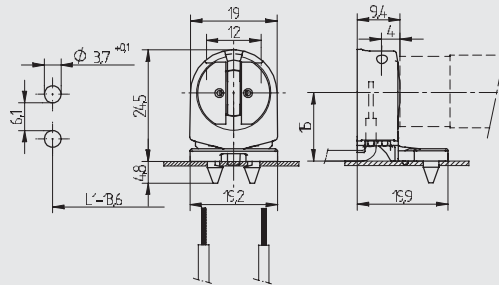
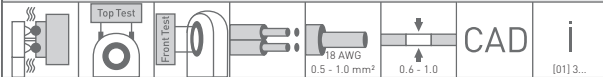
G5 (T5): Push In Lampholders



pkg. wt. part no.
1000 3 g **26.662.2001.50**

- Lamp center: 15 mm
 Snap-in pins
 Housing: PC
 Rotor: PBT
 cULus file no.: E-92235
 Wiring: through the body
- Wiring above the mounting plate is also possible
 - Snap in pins for IP 40
 - A pair of lampholders provides a lamp length tolerance compensation of 2 mm

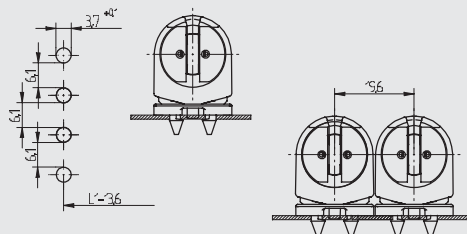
L1-13.6: Recommended cutout spacing. "L1" distance is determined by the length of the respective lamp.



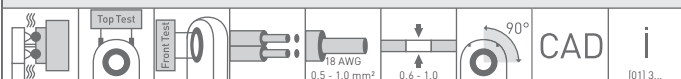
pkg. wt. part no.
1000 3 g **26.662.2003.50**

- Lamp center: 15 mm
 Snap-in pins
 Housing: PC
 Rotor: PBT
 cULus file no.: E-92235
 Wiring: through the body
- Wiring above the mounting plate is also possible
 - Snap in pins for IP 40
 - A pair of lampholders provides a lamp length tolerance compensation of 2 mm

L1-13.6: Recommended cutout spacing. "L1" distance is determined by the length of the respective lamp.



Example of application



Linear Fluorescents: General Applications

26.662 26.665

G5 (T5): Push In Lampholders



pkg. wt. part no.
1000 3 g **26.662.2002.50**

Lamp center: 18 mm
Snap-in pins
Housing: PC
Rotor: PBT
cULus file no.: E-92235
Wiring: Side entry wiring

- Wiring above the mounting plate is also possible
- Snap in pins for IP 40
- A pair of lampholders provides a lamp length tolerance compensation of 2 mm

L1-13.6: Recommended cutout spacing. "L1" distance is determined by the length of the respective lamp.

pkg. wt. part no.
1000 3 g **26.662.2011.50**

Lamp center: 15 mm
Snap-in pins
Housing: PC
Rotor: PBT
cULus file no.: E-92235
Wiring: through the body

- Wiring above the mounting plate is also possible
- Snap in pins for IP 40
- A pair of lampholders provides a lamp length tolerance compensation of 2 mm

L1-13.6: Recommended cutout spacing. "L1" distance is determined by the length of the respective lamp.

pkg. wt. part no.
250 4 g **26.665.2003.50**

Lamp center: 23 mm
Snap-in pins
Housing: PC
Rotor: PBT
cULus file no.: E-92235
Wiring: Side entry wiring

- With cable support
- Snap in pins for IP 40
- A pair of lampholders provides a lamp length tolerance compensation of 2 mm

L1-13.6: Recommended cutout spacing. "L1" distance is determined by the length of the respective lamp.

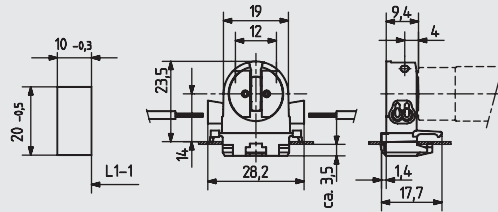
Linear Fluorescents: General Applications

26.660

G5 (T5): Push In Lampholders



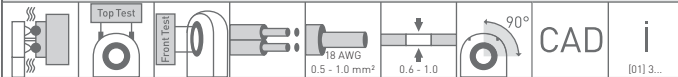
pkg. wt. part no.
1000 3 g **26.660.2001.50**



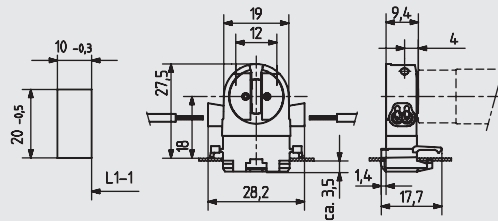
Lamp center: 14 mm
 Snap-in foot 10 x 20 mm
 Housing: PC
 Rotor: PBT
 cULus file no.: E-92235
 Wiring: Side entry wiring

- With snap in foot and closed base IP 40
- A pair of lampholders provides a lamp length tolerance compensation of 2 mm

L1 - 1: Recommended cutout spacing. "L1" distance is determined by the length of the respective lamp.



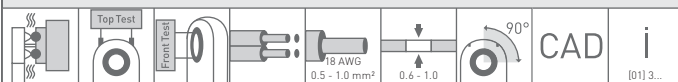
pkg. wt. part no.
1000 3 g **26.660.2002.50**



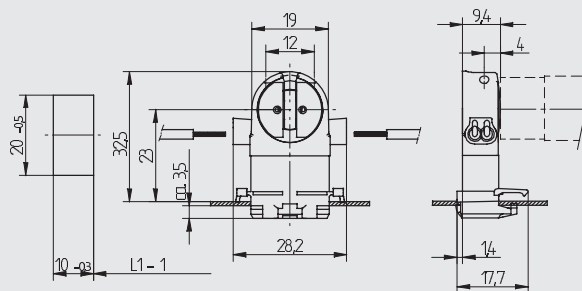
Lamp center: 18 mm
 Snap-in foot 10 x 20 mm
 Housing: PC
 Rotor: PBT
 cULus file no.: E-92235
 Wiring: Side entry wiring

- Special model
- With snap in foot and closed base IP 40
- A pair of lampholders provides a lamp length tolerance compensation of 2 mm

L1-1: Recommended cutout spacing. "L1" distance is determined by the length of the respective lamp.



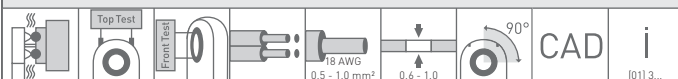
pkg. wt. part no.
1000 4 g **26.660.2003.50**



Lamp center: 23 mm
 Snap-in foot 10 x 20 mm
 Housing: PC
 Rotor: PBT
 cULus file no.: E-92235
 Wiring: Side entry wiring

- With snap in foot and closed base IP 40
- A pair of lampholders provides a lamp length tolerance compensation of 2 mm

L1-1: Recommended cutout spacing. "L1" distance is determined by the length of the respective lamp.



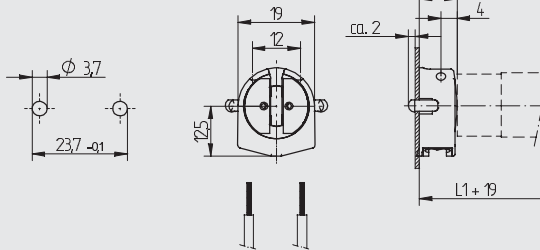
Linear Fluorescents: General Applications

G5 (T5): End Mount Lampholders

26.641

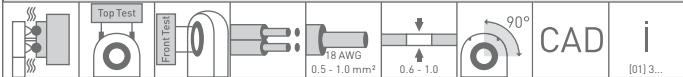


pkg. wt. part no.
1000 3 g **26.641.2001.50**

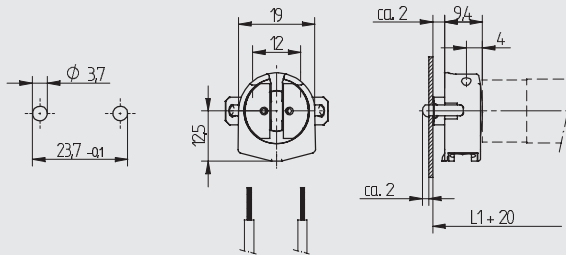


Snap-in pins
Housing: PC
Rotor: PBT
cULus file no.: E-92235
Wiring: through the body

L1+19: Recommended mounting surface spacing. "L1" distance is determined by the length of the respective lamp.

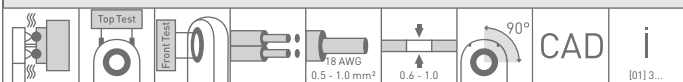


pkg. wt. part no.
1000 3 g **26.641.2002.50**

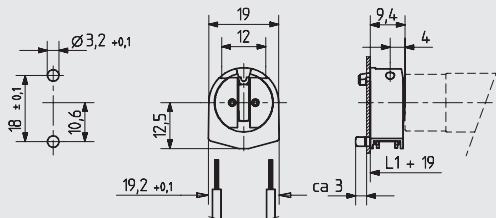


Snap-in pins with spring
Housing: PC
Rotor: PBT
cULus file no.: E-92235
Wiring: through the body
• One lampholder with leaf spring allows a lamp length tolerance compensation of 2 mm

L1+20: Recommended mounting surface spacing. "L1" distance is determined by the length of the respective lamp.

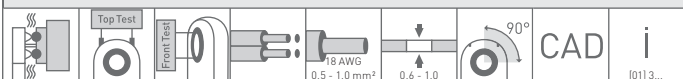


pkg. wt. part no.
1000 3 g **26.641.2003.50**



Snap-in pins vertical
Housing: PC
Rotor: PBT
cULus file no.: E-92235
Wiring: through the body

L1+19: Recommended mounting surface spacing. "L1" distance is determined by the length of the respective lamp.



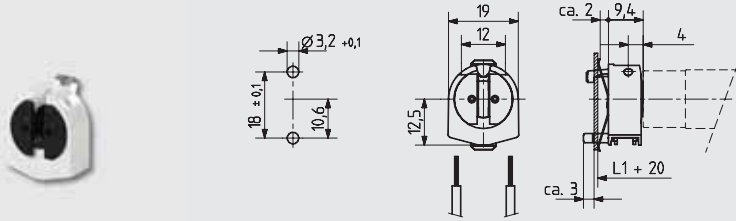
Linear Fluorescents: General Applications

26.641

G5 (T5): End Mount Lampholders



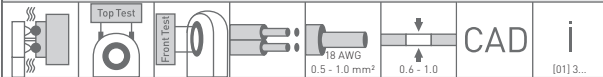
pkg. wt. part no.
1000 3 g **26.641.2004.50**



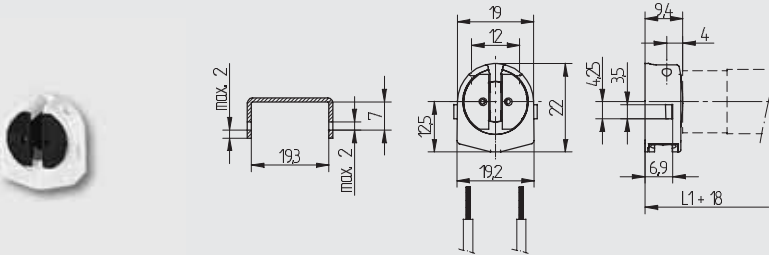
Snap-in pins with spring vertical pins
Housing: PC
Rotor: PBT
cULus file no.: E-92235
Wiring: through the body

- A pair of lampholders provides a lamp length tolerance compensation of 2 mm

L1+20: Recommended mounting surface spacing. "L1" distance is determined by the length of the respective lamp.



pkg. wt. part no.
1000 3 g **26.641.2006.50**

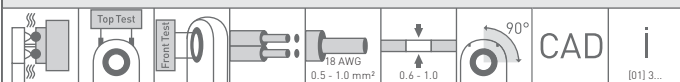


Snap-in mounting lugs
Housing: PC
Rotor: PBT
cULus file no.: E-92235
Wiring: through the body

- For use in custom moldings (e.g. luminaires end caps)

 Show accessories on page:[01] 39

L1+18.8: Recommended mounting surface spacing. "L1" distance is determined by the length of the respective lamp.



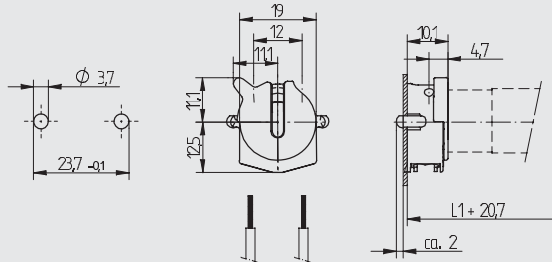
Linear Fluorescents: General Applications

26.641

G5 (T5): End Mount Lampholders



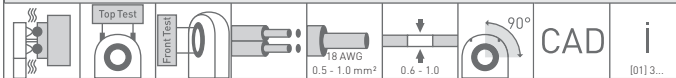
pkg. wt. part no.
1000 4 g **26.641.2101.50**



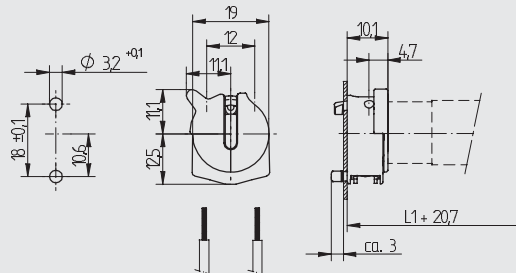
L1+ 20.7: Recommended dimension is based on use of one lampholder with and one lampholder without rotor rotation aid and thereof one lampholder with spring. The final distance should be governed by the dimensions of the respective lamps and luminaires.

with rotor rotation aid
Snap-in pins horizontal
Housing: PC
Rotor: PBT
cULus file no.: E-92235
Wiring: through the body

- Note: The lampholder with rotor rotational aid shown here, facilitates easy lamp change in slim light fittings. On request, each version with standard rotor is also possible with rotor rotation aid. Please contact us.
- For each pair of lampholders, a lampholder with rotor rotation aid can only be used on one side. In this instance at least one lampholder must be fitted with a leaf spring.



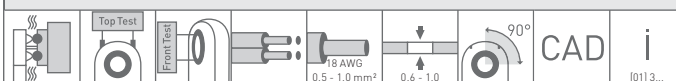
pkg. wt. part no.
1000 4 g **26.641.2103.50**



L1+ 20.7: Recommended dimension is based on use of one lampholder with and one lampholder without rotor rotation aid and thereof one lampholder with spring. The final distance should be governed by the dimensions of the respective lamps and luminaires.

with rotor rotation aid
Snap-in pins vertical
Housing: PC
Rotor: PBT
cULus file no.: E-92235
Wiring: through the body

- Note: The lampholder with rotor rotational aid shown here, facilitates easy lamp change in slim light fittings. On request, each version with standard rotor is also possible with rotor rotation aid. Please contact us.
- For each pair of lampholders, a lampholder with rotor rotation aid can only be used on one side. In this instance at least one lampholder must be fitted with a leaf spring.



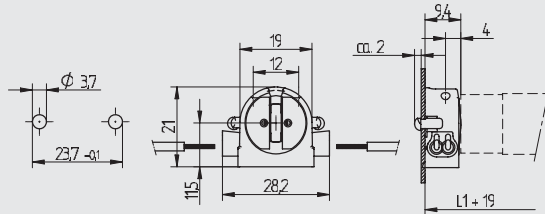
Linear Fluorescents: General Applications

26.640 26.641

G5 (T5): End Mount Lampholders

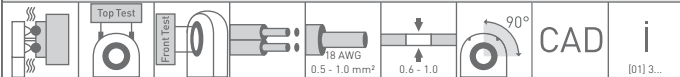


pkg. wt. part no.
1000 3 g **26.640.2001.50**

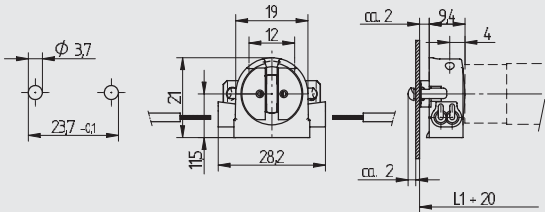


Snap-in pins
Housing: PC
Rotor: PBT
cULus file no.: E-92235
Wiring: Side entry wiring

L1+19: Recommended mounting surface spacing. "L1" distance is determined by the length of the respective lamp.

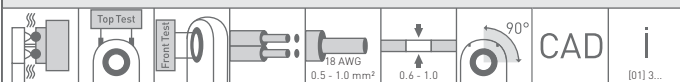


pkg. wt. part no.
1000 3 g **26.640.2002.50**

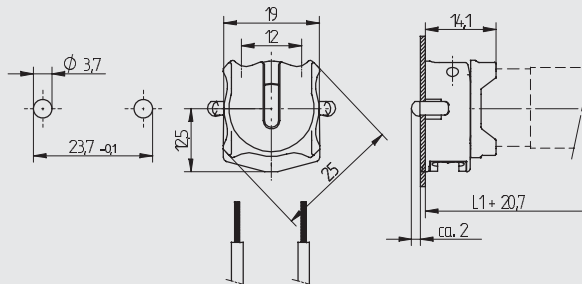


Snap-in pins with spring
Housing: PC
Rotor: PBT
cULus file no.: E-92235
Wiring: Side entry wiring
• A pair of lampholders provides a lamp length tolerance compensation of 2 mm

L1 + 20: Recommended mounting surface spacing. "L1" distance is determined by the length of the respective lamp.

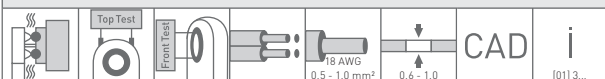


pkg. wt. part no.
1000 4 g **26.641.2201.50**



with rotor rotation aid 360°
Snap-in pins horizontal
Housing: PC
Rotor: PBT
Wiring: through the body
• Note: The lampholder with rotor rotational aid shown here, facilitates easy lamp change in slim light fittings. On request, each version with standard rotor is also possible with rotor rotation aid. Please contact us.

L1+ 20.7: Recommended dimension is based on use of one lampholder with and one lampholder without rotor rotation aid and thereof one lampholder with spring. The final distance should be governed by the dimensions of the respective lamps and luminaires.



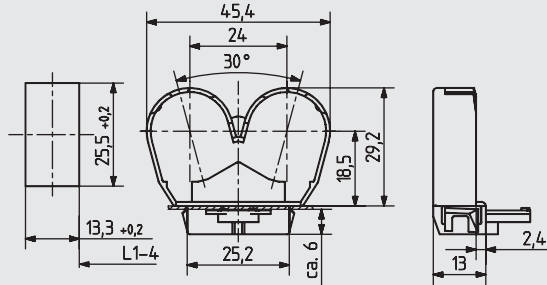
Linear Fluorescents: General Applications

26.926

G5 (T5): End Mount Lampholders



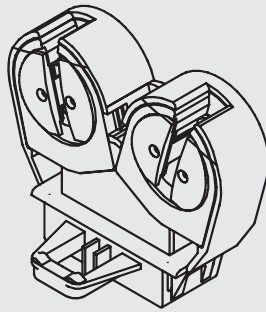
pkg. wt. part no.
500 2 g **26.926.-801.50**



Twin spacer for lampholders 26.641.2006.50
Snap-in foot 25.5 x 13.3 mm
Material: PC

- A pair of lampholders provides a total lamp length tolerance compensation of 2 mm

L1-4: Recommended cutout spacing. "L1" distance is determined by the length of the respective lamp.



Example of application
Top Test holes are not accessible when mounted in twin end cap.



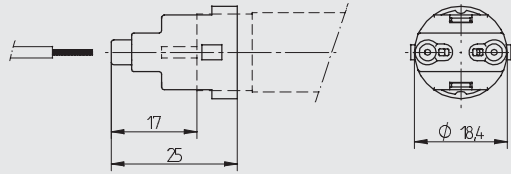
Linear Fluorescents: General Applications

26.642

G5 Connecting piece

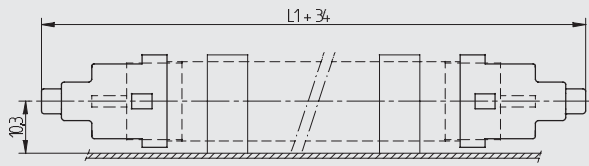


pkg. wt. part no.
1000 3 g **26.642.8601.50**



Without mount
Housing: PBT
Connecting Piece
cULus file no.: E-92235

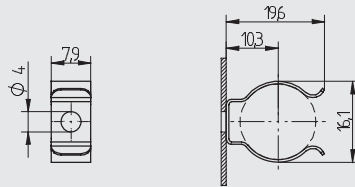
- The electrical connection is made by pushing the lampholder onto the lamp pins. The lamp must be supported by a supplementary component.



Example of application
L1+34: Recommended dimension - the final distance should be governed by the dimensions of the respective lamps and luminaires.



pkg. wt. part no.
1000 2 g **26.642.-106.03**



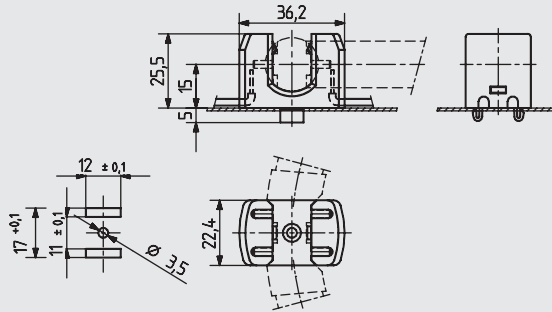
Lamp support for T5 lamps
Screw mount
Material: Metal



Linear Fluorescents: General Applications

2GX13 Lampholders for T5 Circular Lamps

26.732



pkg. wt. part no.
250 11 g **26.732.8101.50**

Lamp center: 15 mm

Snap-in pins

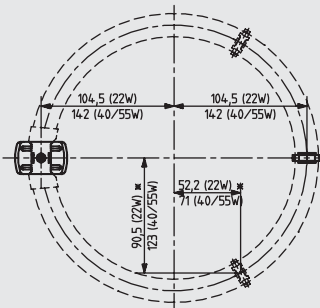
Screw mount

Housing: PC

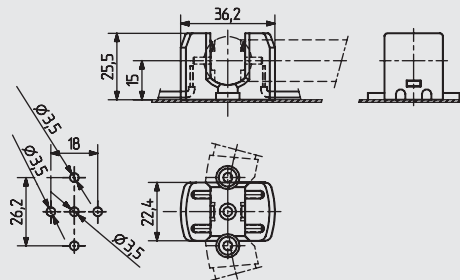
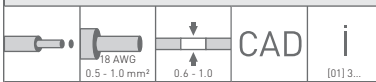
cULus file no.: E-92235

- The additional hole of $\varnothing 3.5$ mm is only required for screw mount.
- Screw mount for screws ISO 2009-M3

Show accessories on page:[01] 42



Example of application
(Sheet metal layout)



pkg. wt. part no.
250 11 g **26.732.8201.50**

Lamp center: 15 mm

Screw mount

Housing: PC

cULus file no.: E-92235

- Screw mount with countersunk screw ISO 2009 - M3 or self-tapping screws ISO 1481-ST 2.9 x 6.5-C
- Wiring from above the mounting plate or through the metalwork

Show accessories on page:[01] 42



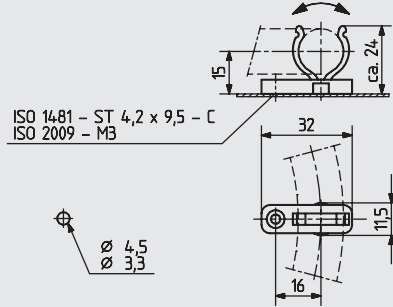
Linear Fluorescents: General Applications

Accessories for 2GX13 lampholders

26.732



pkg. wt. part no.
250 2 g **26.732.U811.50**



Support for circular lamps 2GX13

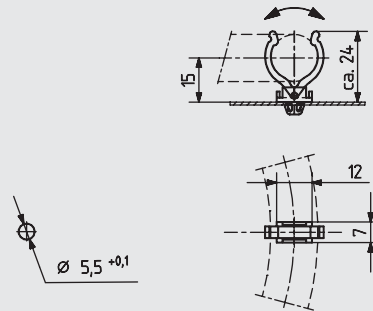
Screw mount

Material: PC

- Clip is flexible to allow for lamp tolerance compensation
- Screw Mount: countersunk screw ISO 2009 - M3 or self-tapping screws ISO 1481-ST 4.2 x 9.5-C

CAD i
[01] 3...

pkg. wt. part no.
250 2 g **26.732.U821.50**

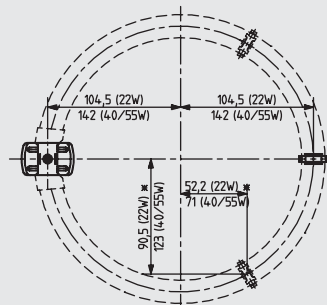


Support for circular lamps 2GX13

Push-in pins

Material: PC

- Clip is flexible to allow for lamp tolerance compensation



Example of application
(Sheet metal layout)

CAD i
[01] 3...


Linear Fluorescents: General Applications

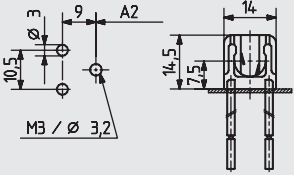
Screw mount lampholders for T2 lamps

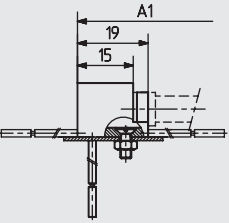
26.607



		pkg. wt. part no.	
		500 5 g 26.607.8008.50	








Screw mount
Housing: PC
Wires:
cULus file no.: E-92235

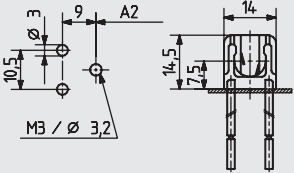
- For lamps with \varnothing 7mm (FM)
- Screw mount with countersunk screw M3 or self-tapping screw
- Three possibilities of cable direction (see drawing)
- Other wire lengths on request.

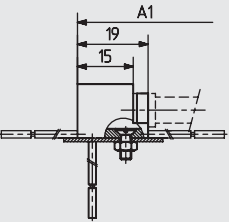
PRELIMINARY DATA :
A1 = L1 + 4.8: Overall assembly length.
A2 = L1 - 21: Recommended mounting hole spacing.
"L1" distance is determined by the length of the respective lamp.

1 A 250 V	CAD	i <small>(01) 3...</small>
--------------	-----	-------------------------------

		pkg. wt. part no.	
		500 9 g 26.607.8009.50	







Screw mount
Housing: PC
Wires: Cu tin-plated, 18 AWG, Insulation: PVC (105° C), Lead length: 390 mm (15")
cULus file no.: E-92235

- For lamps with \varnothing 7mm (FM)
- Screw mounting with countersunk screw M3 or self-tapping screw
- Three possibilities of cable insertion (see drawing)
- Longer wire lengths on request.

PRELIMINARY DATA :
A1 = L1 + 4.8: Overall assembly length.
A2 = L1 - 21: Recommended mounting hole spacing.
"L1" distance is determined by the length of the respective lamp.

75 W 250 V	CAD	i <small>(01) 3...</small>
---------------	-----	-------------------------------

Linear Fluorescents: General Applications

26.607

Push-in lampholders for T2 lamps



pkg. wt. part no.
500 4 g **26.607.8108.50**

Snap-in pins
Housing: PC
Wires:

cULus file no.: E-92235

- For lamps with \varnothing 7mm (FM)
- Three possibilities of cable direction (see drawing)
- Other wire lengths on request.

PRELIMINARY DATA :
 $A1 = L1 + 4.8$: Overall assembly length.
 $A2 = L1 - 21$: Recommended mounting hole spacing.
 "L1" distance is determined by the length of the respective lamp.

↓ 0.6 - 1.0	75 W 250 V	CAD	i
			[01] 3...

pkg. wt. part no.
500 9 g **26.607.8109.50**

Snap-in pins
Housing: PC
Wires: Cu tin-plated, 18 AWG, Insulation: PVC (105° C), Lead length: 390 mm (15")

cULus file no.: E-92235

- For lamps with \varnothing 7mm (FM)
- Three possibilities of cable insertion (see drawing)
- Longer wire lengths on request.

PRELIMINARY DATA :
 $A1 = L1 + 4.8$: Overall assembly length.
 $A2 = L1 - 21$: Recommended mounting hole spacing.
 "L1" distance is determined by the length of the respective lamp.


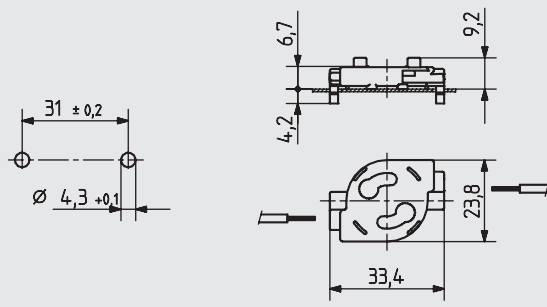
↓ 0.6 - 1.0	75 W 250 V	CAD	i
			[01] 3...

Linear Fluorescents: General Applications

26.519 26.514

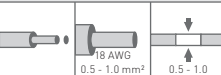
Starter Holders




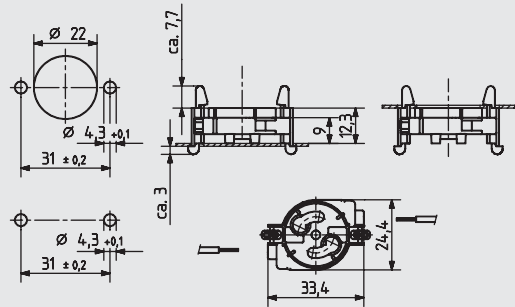
pkg. wt. part no.
500 2 g **26.519.5001.50**

Snap-in pins
Housing: PC
cULus file no.: E-100447



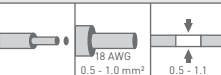
CAD i

[01]3...


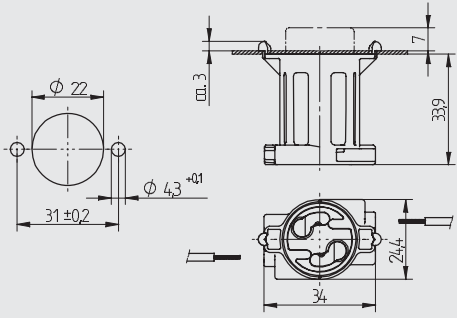
pkg. wt. part no.
500 3 g **26.514.5011.50**

Push-in pins above and below
Housing: PC
cULus file no.: E-100447



CAD i

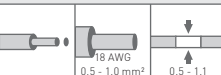
[01]3...

pkg. wt. part no.
500 5 g **26.514.5026.50**

Push-in pins, Mount below surface only
Housing: PC
cULus file no.: E-100447

- With integral spacer



CAD i

[01]3...

Linear Fluorescents: General Applications

Starter Holders

26.515



pkg. wt. part no.
500 2 g **26.515.5317.50**

Push-in pins above and below
Housing: PC
cULus file no.: E-100447

CAD	i
[01] 3...	

pkg. wt. part no.
500 2 g **26.515.5318.50**

Push-in pins, Mount below surface only
Housing: PC
cULus file no.: E-100447

CAD	i
[01] 3...	

pkg. wt. part no.
500 3 g **26.515.5301.50**

Push-in pins, Mount either horizontal or vertical, above surface
Housing: PC
cULus file no.: E-100447

CAD	i
[01] 3...	

Linear Fluorescents: General Applications

Accessories

26.911 26.912
26.919



pkg.	wt.	part no.
1	31 g	26.911.4301.80

Top Test for G13 (T8) Fluorescent Lampholders
Wires: Lead length: 480 mm (18")

- Top Test: Our trade mark "Top Test" refers to two test ports incorporated in the top of the lampholder. The electrodes of the Top Test adaptor are inserted here to connect with the internal contacts of the lampholder.
- For efficient final testing of light fittings

CAD	i
[01] 3...	

pkg.	wt.	part no.
1	26 g	26.912.4301.80

Front Test Adapter for G13 (T8) Fluorescent Lampholders
Wires: Lead length: 470 mm (18")

- Front Test: In this process, a test adaptor is inserted horizontally into the rotor. It makes a connection to the internal contacts of the lampholder, allowing a fast circuit test to be made.
- For efficient final testing of light fittings

CAD	i
[01] 3...	

pkg.	wt.	part no.
1	70 g	26.919.1001.75

Top Test Adapter for G5 (T5) Fluorescent Lampholders
Wires: Lead length: 1170 mm (46")

- Top Test: Our trade mark "Top Test" refers to two test ports incorporated in the top of the lampholder. The electrodes of the Top Test adaptor are inserted here to connect with the internal contacts of the lampholder.
- For efficient final testing of light fittings

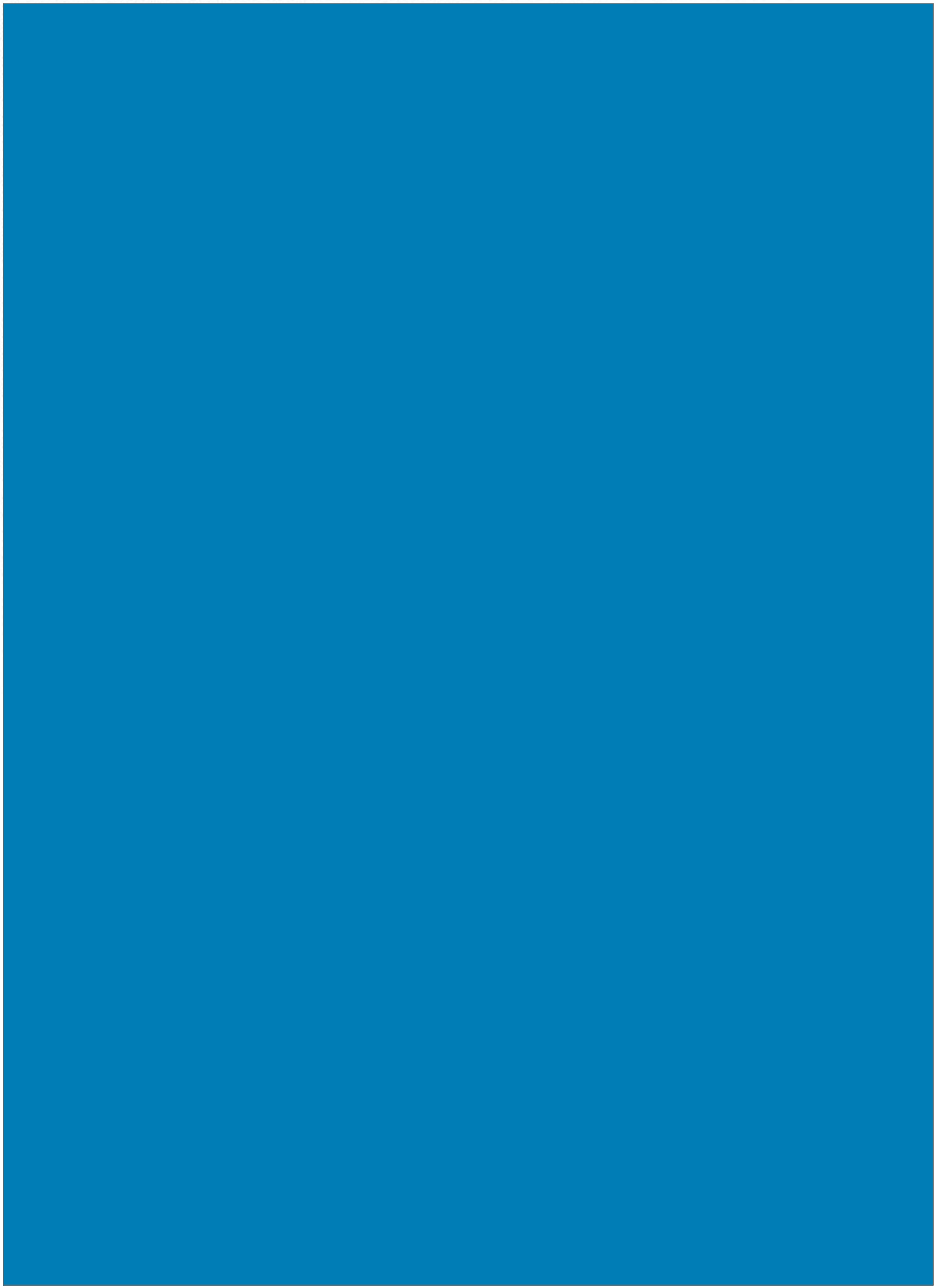
CAD	i
[01] 3...	



Linear Fluorescent Lampholders:
Water and Dustproof



Your Connection to Light



Linear Fluorescent Lampholders: Water and Dustproof

Table of Contents



G13
2-Slot single and twin lampholders with
Snap In Mount Foot 25.5 x 17.5 mm
· 27.240 [02] 9
· 27.241 [02] 9



G13
2-Slot single and twin lampholders with
Snap In Mount Foot 25.5 x 13.3 mm
· 27.240 [02] 10
· 27.241 [02] 10



G5
2-Slot single and twin lampholders with
Snap In Mount Foot 25.5 x 17.5 mm
· 27.660 [02] 11
· 27.661 [02] 11



G5
2-Slot single lampholders with
Snap In Mount Foot 25.5 x 13.3 mm
· 27.660 [02] 12



G5
2-Slot single lampholders with
Screw Mount Foot
· 27.660 [02] 13



Accessories
Sleeves for G13
· 27.240 [02] 14 - 16

Linear Fluorescent Lampholders: Water and Dustproof

Table of Contents

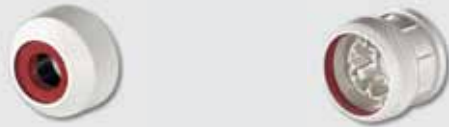


Accessories

Sleeves for G5

· 27.660

[02] 17



Accessories

Gaskets for G13

· 27.240

[02] 18, 19



Gaskets for G5

· 27.230

[02] 19

· 27.240

[02] 19

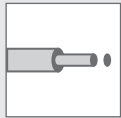
Linear Fluorescent Lampholders: Water and Dustproof General Information



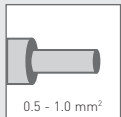
All articles in this chapter have been designed according to the appropriate national and international standards (VDE / IEC).
The choice of product and correct technical application is the sole responsibility of the user.
Further information available on request. We reserve the right to modify products without notice.
The lampholders will generally be delivered without assembled foot gasket.
Where no electrical rating is stated then, fluorescent lampholders are designed for 250 V / 2 A, according to IEC 60400 / VDE 0616 part 3.
When regulations deviate from IEC, i.e. UL, other ratings may be possible.
Please also note the general information at the end of this catalog and the directions for use.

Explanation of the symbols shown on the product pages.

Single push wire terminals

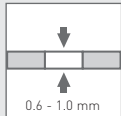


For solid conductors within the cross sectional range stated
(In this example 0.5 - 1.0 mm²)
When regulations deviate from IEC, other cross sections are possible (i.e. UL / CSA: cable 18 AWG).



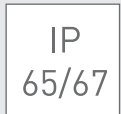
Mounting material thickness

Indication in mm
(In this example 0.6 - 1.0 mm)
To ensure snap mount products locate correctly and securely, we recommend that material is punched in the same direction of component insertion (to minimize the effects of burrs).



Protection class according to IEC 60529

International dust and water rating - In this example IP 65/67



CAD-Data files in 2D or 3D format available



Additional Information

Further information about the products shown on this page can be found on the pages shown within this symbol.



Linear Fluorescent Lampholders: Water and Dustproof

Possible combination of lampholders and sleeves












	Sleeve 27.240.U401 see page [02] 14		●		●				
	Sleeve 27.240.U411 see page [02] 14		●		●				
	Sleeve 27.240.U413 see page [02] 14		●		●				
	Sleeve 27.240.U813 see page [02] 16		●		●				
	Sleeve 27.240.U412 27.240.U414 see page [02] 15		●		●				
	Sleeve 27.240.U417 see page [02] 15		●		●				
	Sleeve 27.240.U815 see page [02] 16		●		●				
	Sleeve 27.660.U301 see page [02] 17					●		●	
	Sleeve 27.660.U302 see page [02] 17					●		●	
		27.240.U301 27.241.U301 see page [02] 9		27.240.U304 27.241.U304 see page [02] 10		27.660.U806 27.661.U808 27.660.U304 see page [02] 11, 12			27.660.U810 see page [02] 13

● Combination possible

Linear Fluorescent Lampholders: Water and Dustproof

Possible combination of lampholders and gaskets



	Gaskets 27.230.-728.00 see page [02] 19 only for 27.660/27.661	●					
	Gaskets 27.240.-707.00 see page [02] 19	●					
	Gaskets 27.240.-716.00 see page [02] 18			●			
	Gaskets 27.240.-726.00 see page [02] 18			●			
	Gaskets 27.240.-835.00 see page [02] 18					●	
	Gaskets 27.240.-703.00 see page [02] 19	●					
							
		Snap in foot 25.5 x 17.5 mm 27.240.U301 27.241.U301 27.660.U806 27.661.U808 see page [02] 9, 11	Snap in foot 25.5 x 13.3 mm 27.240.U304 27.241.U304 27.660.U304 see page [02] 10, 12	Screw fixing foot 27.660.U810 see page [02] 13			

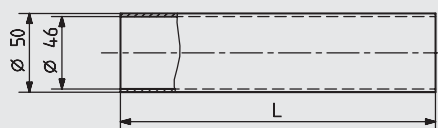
● Combination possible

Linear Fluorescent Lampholders: Water and Dustproof Dimensional Information Protective Tubes

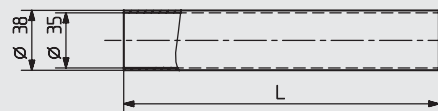


Information and values stated here are for quick reference only.

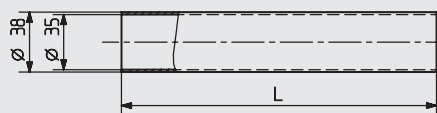
Lamp wattage - W -	Lamp length L1 max. - mm -	Length of protection tube L - mm -
-----------------------	----------------------------------	---



G13		
20	589.8	560
40	1199.4	1170
65	1500.0	1470



G13		
18	589.8	556
36	1199.4	1166
58	1500.0	1466


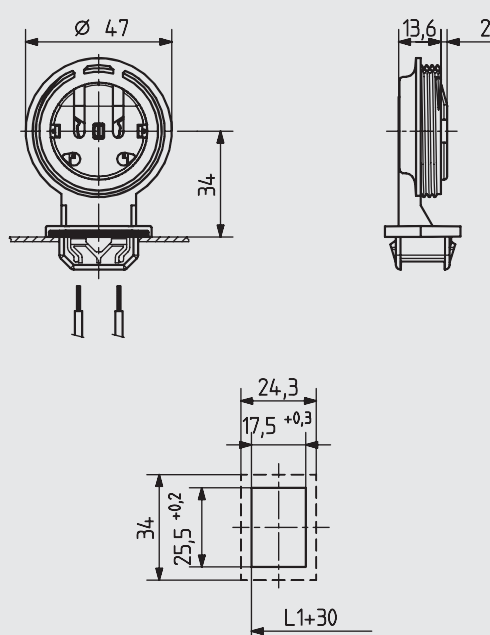


G5		
21	849.0	815
35	1449.0	1415
54	1149.0	1115

Linear Fluorescent Lampholders: Water and Dustproof

27.240 27.241

G13 Twin slot lamp insertion with snap in foot 25.5 x 17.5 mm


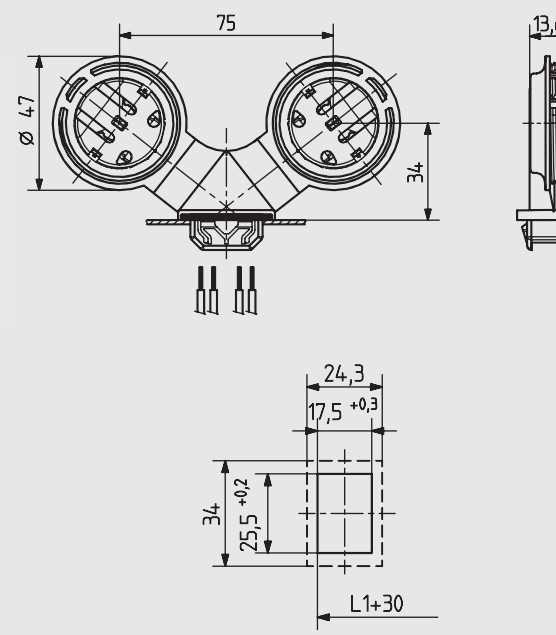
color	pkg.	wt.	part no.
white	100	21 g	27.240.U301.50
gray	100	21 g	27.240.U301.81

Lamp center: 34 mm
 Snap-in foot 25.5 x 17.5 mm
 Housing: PC
 Rotor: PBT
 Wiring: through snap in foot

- Max. permissible temperature at front of face plate (T): 140°C
- Max. permissible temperature at the rear of the lampholder (Tm): 110°C
- Quick and easy wiring achieved by tapered wiring channels
- Tensile interior of lampholder provides a lamp length tolerance compensation of 3 mm per pair of lampholders
- Suitable gaskets: 27.240.-703 and 27.240.-707

L1+30: Recommended cutout spacing. "L1" distance is determined by the length of the respective lamp.

	IP 65/67	CAD	i [02] 3...
--	----------	-----	-------------

color	pkg.	wt.	part no.
white	100	42 g	27.241.U301.50
gray	100	42 g	27.241.U301.81

Lamp center: 34 mm
 Snap-in foot 25.5 x 17.5 mm
 Housing: PC
 Rotor: PBT
 Wiring: through snap in foot

- Max. permissible temperature at front of face plate (T): 140°C
- Max. permissible temperature at the rear of the lampholder (Tm): 110°C
- Quick and easy wiring achieved by tapered wiring channels
- Tensile interior of lampholder provides a lamp length tolerance compensation of 3 mm per pair of lampholders
- Suitable gaskets: 27.240.-703 and 27.240.-707

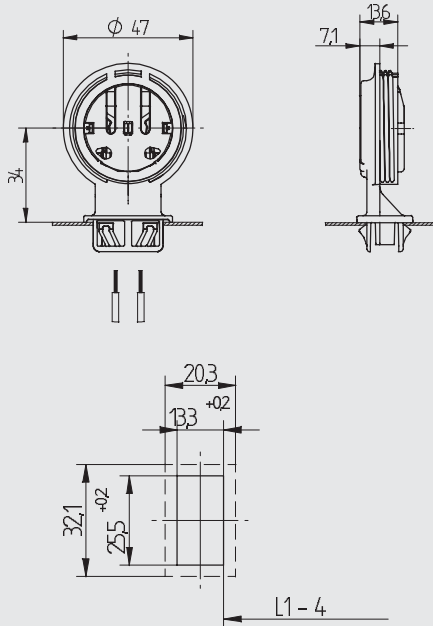
L1+30: Recommended cutout spacing. "L1" distance is determined by the length of the respective lamp.

	IP 65/67	CAD	i [02] 3...
--	----------	-----	-------------

Linear Fluorescent Lampholders: Water and Dustproof

27.240 27.241

G13 Twin slot lamp insertion with snap in foot 25.5 x 13.3 mm



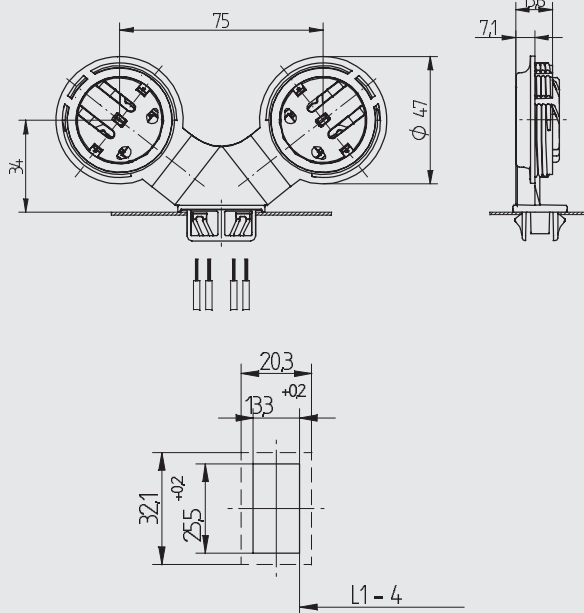
color	pkg.	wt.	part no.
white	100	16 g	27.240.U304.50
gray	100	16 g	27.240.U304.81

Lamp center: 34 mm
 Snap-in foot 25.5 x 13.3 mm
 Housing: PC
 Rotor: PBT
 Wiring: through snap in foot

- Max. permissible temperature at front of face plate (T): 140°C
- Max. permissible temperature at the rear of the lampholder (Tm): 110°C
- Quick and easy wiring achieved by tapered wiring channels
- Tensile interior of lampholder provides a lamp length tolerance compensation of 3 mm per pair of lampholders
- Suitable gaskets: 27.240.-716, 27.240.-726

L1-4: Recommended cutout spacing. "L1" distance is determined by the length of the respective lamp.

		IP 65/67	CAD	i (02) 3...
--	--	-------------	-----	----------------



color	pkg.	wt.	part no.
white	100	33 g	27.241.U304.50
gray	100	33 g	27.241.U304.81

Lamp center: 34 mm
 Snap-in foot 25.5 x 13.3 mm
 Housing: PC
 Rotor: PBT
 Wiring: through snap in foot

- Max. permissible temperature at front of face plate (T): 140°C
- Max. permissible temperature at the rear of the lampholder (Tm): 110°C
- Quick and easy wiring achieved by tapered wiring channels
- Tensile interior of lampholder provides a lamp length tolerance compensation of 3 mm per pair of lampholders
- Suitable gaskets: 27.240.-716, 27.240.-726

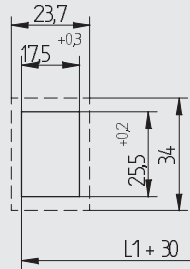
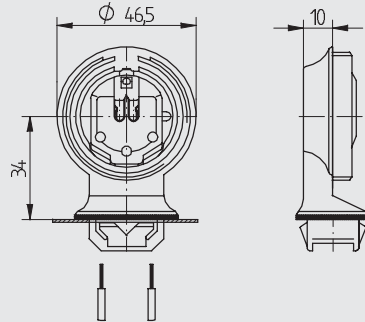
L1-4: Recommended cutout spacing. "L1" distance is determined by the length of the respective lamp.

		IP 65/67	CAD	i (02) 3...
--	--	-------------	-----	----------------

Linear Fluorescent Lampholders: Water and Dustproof

27.660 27.661

G5 Twin slot lamp insertion with snap in foot 25.5 x 17.5 mm



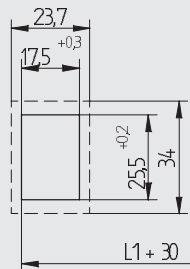
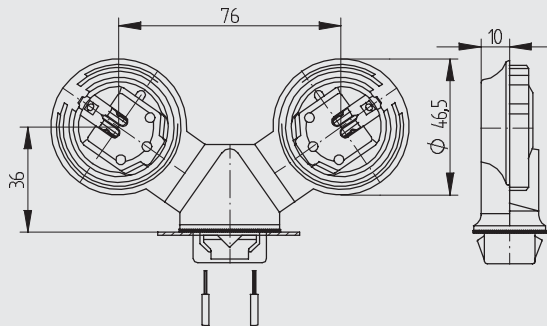
L1+30: Recommended cutout spacing . "L1" distance is determined by the length of the respective lamp.

color	pkg.	wt.	part no.
white	200	20 g	27.660.U806.50
gray	200	20 g	27.660.U806.81

Lamp center: 34 mm
 Snap-in foot, 25.5 x 17.5 mm
 Housing: PC
 Rotor: PBT
 Wiring: through snap in foot

- Max. permissible temperature at front of face plate (T): 140°C
- Max. permissible temperature at the rear of the lampholder (Tm): 110° C
- Quick and easy wiring achieved by tapered wiring channels
- Tensile interior of lampholder provides a lamp length tolerance compensation of 3 mm per pair of lampholders
- Rating: 500 V (for operation with electronic ballasts)
- Suitable gaskets: 27.230.-728, 27.240.-707

		IP 65/67	CAD	i [02] 3...
--	--	-------------	-----	----------------



L1+30: Recommended cutout spacing . "L1" distance is determined by the length of the respective lamp.

color	pkg.	wt.	part no.
white	100	40 g	27.661.U808.50
gray	100	40 g	27.661.U808.81

Lamp center: 34 mm
 Snap in foot 25.5 x 17.5 mm
 Housing: PC
 Rotor: PBT
 Wiring: through snap in foot

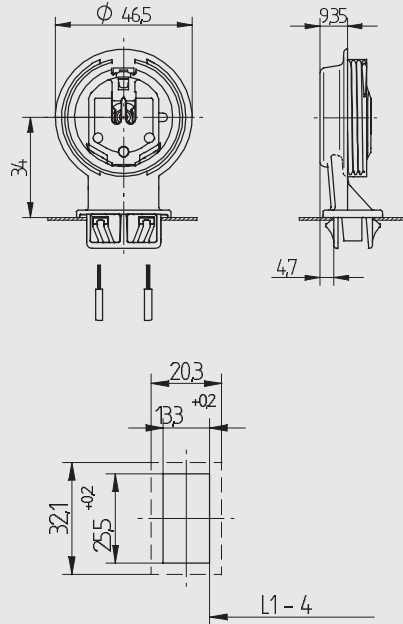
- Max. permissible temperature at front of face plate (T): 140°C
- Max. permissible temperature at the rear of the lampholder (Tm): 110° C
- Quick and easy wiring achieved by tapered wiring channels
- Tensile interior of lampholder provides a lamp length tolerance compensation of 3 mm per pair of lampholders
- Rating: 500 V (for operation with electronic ballasts)
- Suitable gaskets: 27.230.-728, 27.240.-707

		IP 65/67	CAD	i [02] 3...
--	--	-------------	-----	----------------

Linear Fluorescent Lampholders: Water and Dustproof

27.660

G5 Twin slot lamp insertion with snap in foot 25.5 x 13.3 mm



color	pkg.	wt.	part no.
white	200	14 g	27.660.U304.50
gray	200	14 g	27.660.U304.81

Lamp center: 34 mm
 Snap-in foot 25.5 x 13.3 mm
 Housing: PC
 Rotor: PBT
 Wiring: through snap in foot

- Max. permissible temperature at front of face plate (T): 140°C
- Max. permissible temperature at the rear of the lampholder (Tm): 110°C
- Quick and easy wiring achieved by tapered wiring channels
- Tensile interior of lampholder provides a lamp length tolerance compensation of 3 mm per pair of lampholders
- Rating: 500 V (for operation with electronic ballasts)
- Suitable gaskets: 27.240.-716, 27.240.-726

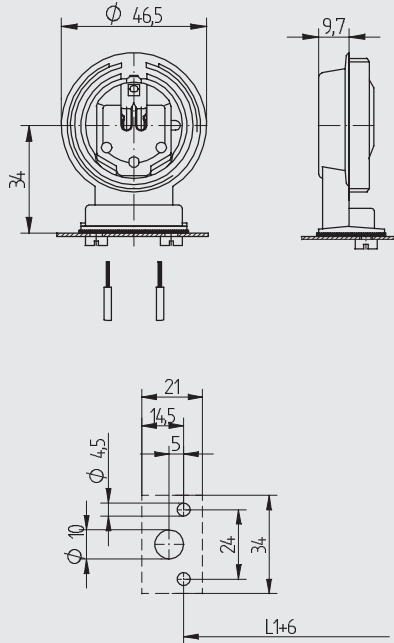
L1-4: Recommended cutout spacing. "L1" distance is determined by the length of the respective lamp.

			IP 65/67	CAD	i (02) 3...
--	--	--	-------------	-----	----------------

Linear Fluorescent Lampholders: Water and Dustproof

27.660

G5 Twin slot lamp insertion with screw mount foot



color	pkg.	wt.	part no.
white	200	20 g	27.660.U810.50
gray	200	20 g	27.660.U810.81

Lamp center: 34 mm

Screw mount

Housing: PC

Rotor: PBT

cULus file no.: E-92235

- Max. permissible temperature at front of face plate (T): 140°C
- Max. permissible temperature at the rear of the lampholder (Tm): 110°C
- Quick and easy wiring achieved by tapered wiring channels
- Tensile interior of lampholder provides a lamp length tolerance compensation of 3 mm per pair of lampholders
- Rating: 500 V (for operation with electronic ballasts)
- Suitable gasket: 27.240.-835


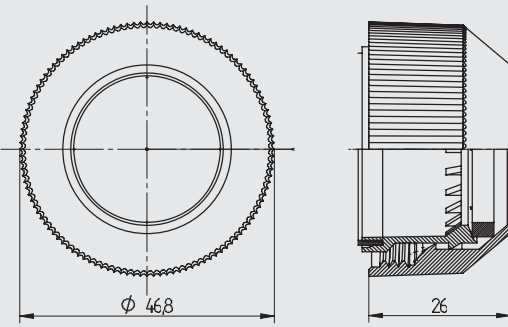
L1+6: Recommended cutout spacing. "L1" distance is determined by the length of the respective lamp.

	18 AWG 0,5 - 1,0 mm ²	IP 65/67	CAD	i (02) 3...
--	-------------------------------------	-------------	-----	----------------

Linear Fluorescent Lampholders: Water and Dustproof

27.240

Accessories for G13 lampholders


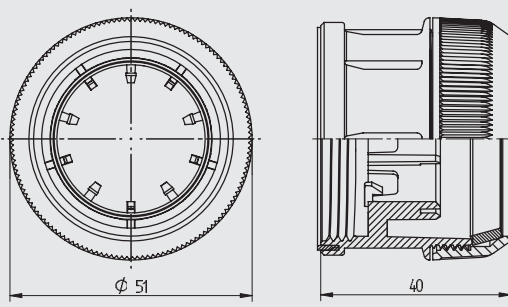




color	pkg.	wt.	part no.
white	100	16 g	27.240.U401.50
gray	100	16 g	27.240.U401.81

Accessory Sleeves for lampholders G13 27.240, 27.241
Gasket: Silicone

- The use of this product in respect of thermal stress must be verified prior to use.
- For lamps \varnothing 26 mm

CAD i
[02] 3...


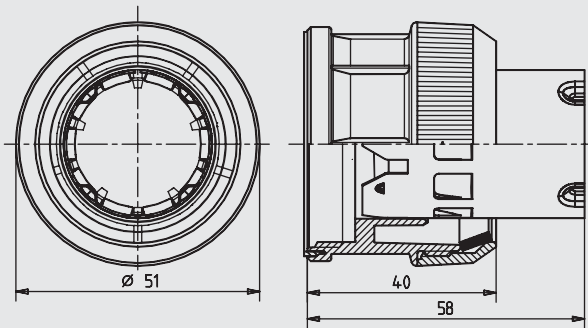



color	pkg.	wt.	part no.
white	100	16 g	27.240.U411.50
gray	100	16 g	27.240.U411.81

Sleeves for protective tubes for lampholders G13 27.240, 27.241
Gasket: EPDM

- The use of this product in respect of thermal stress must be verified prior to use.
- With lamp centring
- For lamps \varnothing 26 mm
- For protection tubes \varnothing 38 mm

CAD i
[02] 3...

color	pkg.	wt.	part no.
white	100	30 g	27.240.U413.50
gray	100	30 g	27.240.U413.81

Sleeves for protective tubes for lampholders G13 27.240, 27.241
Gasket: EPDM


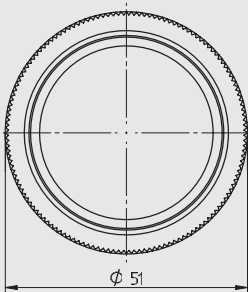
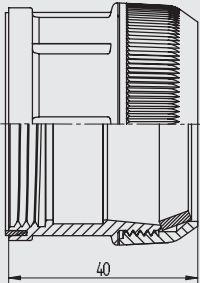
- The use of this product in respect of thermal stress must be verified prior to use.
- With lamp centring
- For lamps \varnothing 26 mm
- For protection tubes \varnothing 38 mm

CAD i
[02] 3...

Linear Fluorescent Lampholders: Water and Dustproof

27.240


Accessories for G13 lampholders


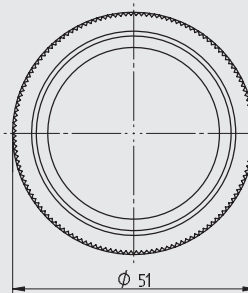
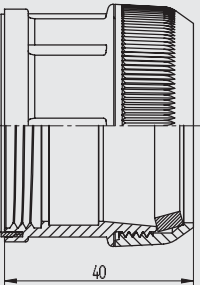





color	pkg.	wt.	part no.
white	100	18 g	27.240.U412.50
gray	100	18 g	27.240.U412.81

Sleeves for protective tubes for lampholders G13 27.240, 27.241
Gasket: EPDM

- The use of this product in respect of thermal stress must be verified prior to use.
- Without centring lugs for lamps
- For protection tubes \varnothing 38 mm
- For oval protection tubes


CAD  [02] 3...


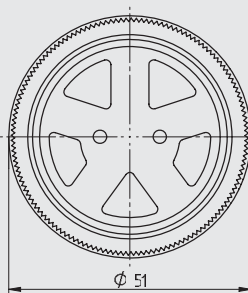
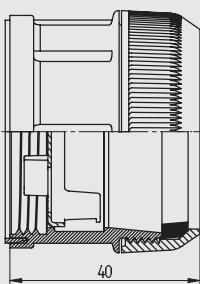




color	pkg.	wt.	part no.
white	100	19 g	27.240.U414.50
gray	100	19 g	27.240.U414.81

Sleeves for protective tubes for lampholders G13 27.240, 27.241
Gasket: Silicone

- The use of this product in respect of thermal stress must be verified prior to use.
- Without centring lugs for lamps
- For lamps \varnothing 38 mm
- For oval protection tubes


CAD  [02] 3...

color	pkg.	wt.	part no.
white	100	16 g	27.240.U417.50
gray	100	16 g	27.240.U417.81

Sleeves for protective tubes for lampholders G13 27.240, 27.241
Gasket: Silicone

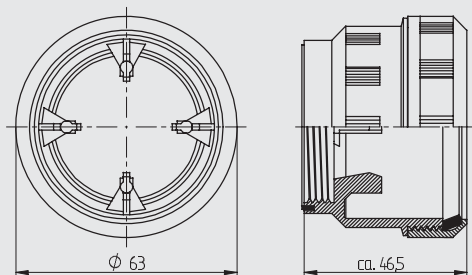
- The use of this product in respect of thermal stress must be verified prior to use.
- With lamp centring
- For lamps \varnothing 38 mm

CAD  [02] 3...

Linear Fluorescent Lampholders: Water and Dustproof

27.240

Accessories for G13 lampholders



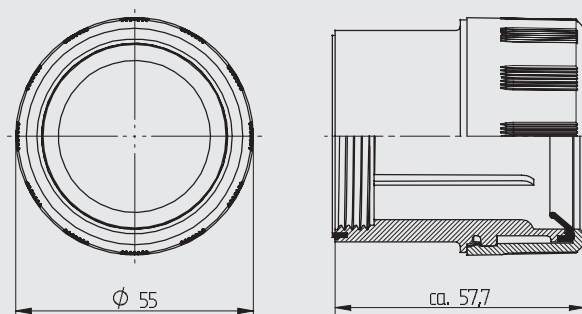
pkg. wt. part no.
50 39 g **27.240.U813.81**

Sleeves for protective tubes for lampholders G13 27.240, 27.241
Gasket: EPDM

- The use of this product in respect of thermal stress must be verified prior to use.
- For lamps ϕ 26 mm
- By removing the centring lugs also suitable for lamps ϕ 38 mm.
- For protection tubes ϕ 50 mm

CAD i

[02] 3...



pkg. wt. part no.
100 48 g **27.240.U815.50**

Sleeves for protective tubes for lampholders G13 27.240, 27.241
Gasket: Silicone

- Special gasket allows expansion of protection tube without loss of seal.
- The use of this product in respect of thermal stress must be verified prior to use.
- For protection tubes ϕ 38 mm
- Combination of sleeve and lampholder gives a dust and water rating of IP54

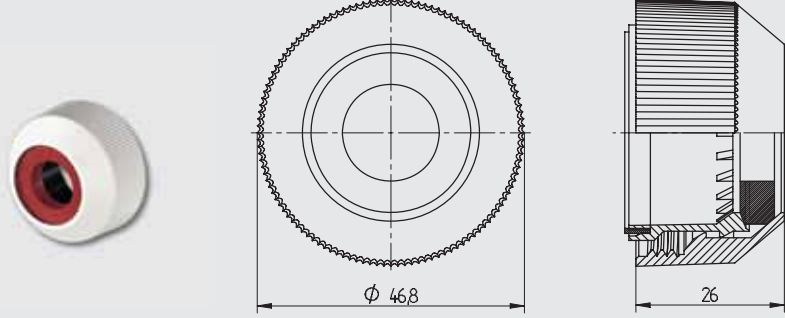
CAD i

[02] 3...

Linear Fluorescent Lampholders: Water and Dustproof

27.660

Accessories for G5 lampholders

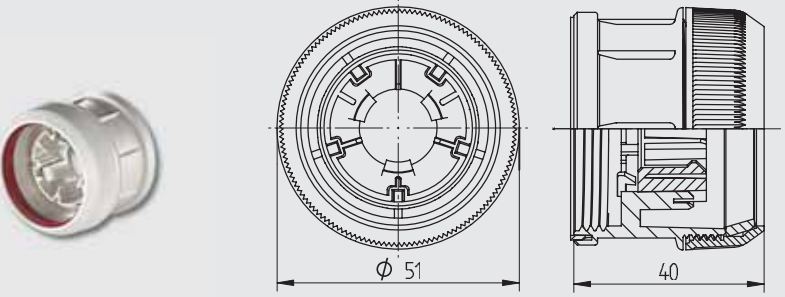



color	pkg.	wt.	part no.
white	200	16 g	27.660.U301.50
gray	200	16 g	27.660.U301.81

Sleeves for the use with or without Protective Tubes for Lampholders G5 27.660, 27.661
Gasket: Silicone

- The use of this product in respect of thermal stress must be verified prior to use.
- For lamps \varnothing 16 mm

CAD i
[02] 3...



color	pkg.	wt.	part no.
white	200	21 g	27.660.U302.50
gray	200	21 g	27.660.U302.81

Sleeves for the use with or without Protective Tubes for Lampholders G5 27.660, 27.661
Gasket: EPDM

- The use of this product in respect of thermal stress must be verified prior to use.
- With lamp centring
- For lamps \varnothing 16 mm
- For protection tubes \varnothing 38 mm

CAD i
[02] 3...

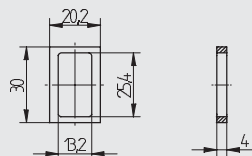
Linear Fluorescent Lampholders: Water and Dustproof

27.240

Gaskets for G5 and G13 lampholders



pkg. wt. part no.
200 **27.240.-726.00**

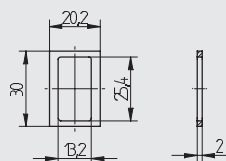


Material: EPDM / CR
Material thickness: 4 mm

- Suitable material thickness: 0.6 - 1.5 mm
- For lampholders with snap in foot 25.5 x 13.3 mm, e.g. 27.240.U304, 27.241.U304, 27.660.U304

CAD *i*
[02] 3...

pkg. wt. part no.
200 **27.240.-716.00**

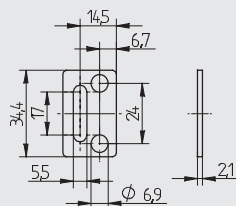


Material: EPDM / CR
Material thickness: 2 mm

- Suitable material thickness: 1.2 - 2.1 mm
- For lampholders with snap in foot 25.5 x 13.3 mm, e.g. 27.240.U304, 27.241.U304, 27.660.U304

CAD *i*
[02] 3...

pkg. wt. part no.
200 **27.240.-835.00**



Material: EPDM
Material thickness: 2.1 mm

- For lampholders with screw mount foot, e.g. 27.660.U810


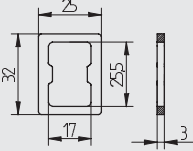
CAD *i*
[02] 3...

Linear Fluorescent Lampholders: Water and Dustproof

27.240 27.230

Gaskets for G5 and G13 lampholders


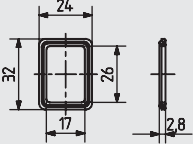


		pkg. wt. part no.
		200 27.240.-703.00

Material: EPDM / CR
Material thickness: 3 mm

- For lampholders with snap in foot 25.5 x 17.5 mm, e.g. 27.240.U301, 27.241.U301


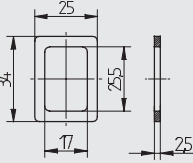
CAD	i
	[02] 3...

		pkg. wt. part no.
		200 27.240.-707.00

Material: EPDM
Material thickness: 2.8 mm

- Particularly suitable for thin-walled plastic housings
- For lampholders with snap in foot 25.5 x 17.5 mm, e.g. 27.240.U301, 27.241.U301, 27.660.U806, 27.661.U808

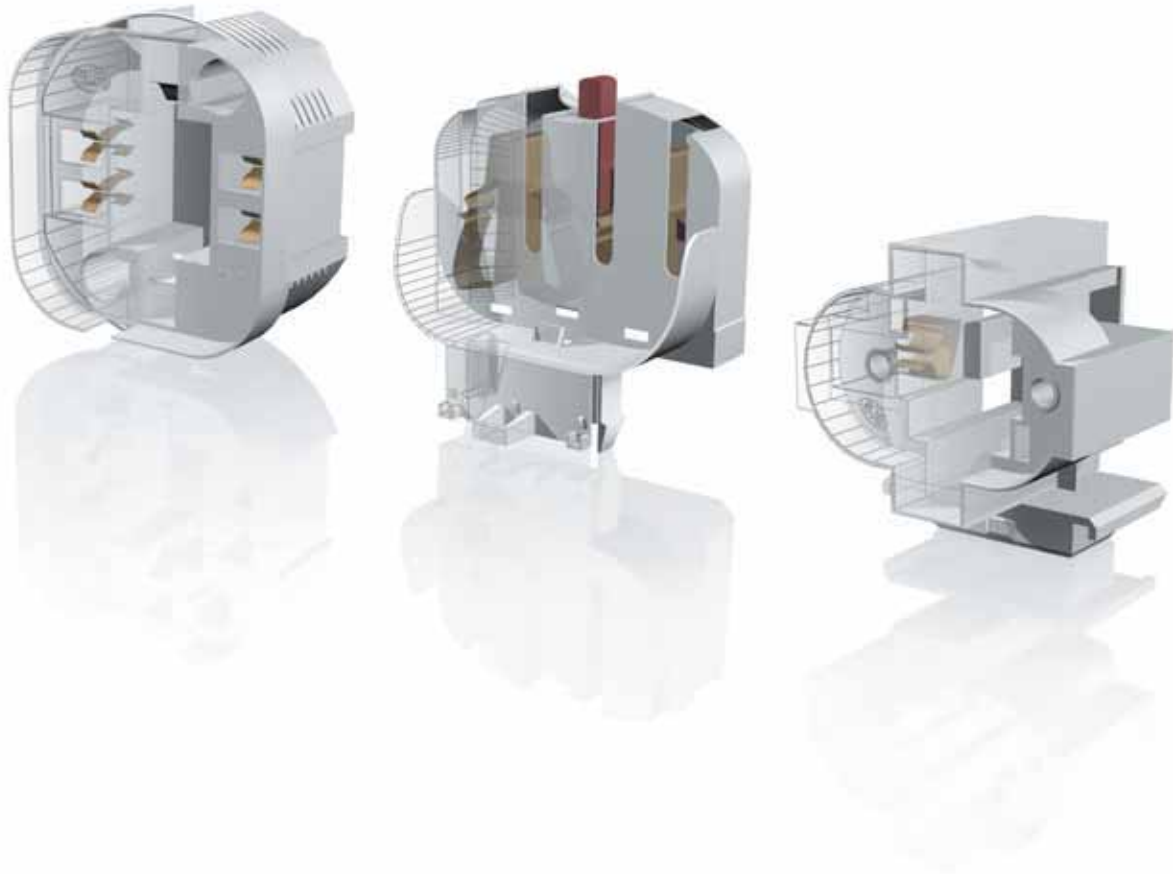
CAD	i
	[02] 3...

		pkg. wt. part no.
		200 27.230.-728.00

Material: Cellulose rubber SBR
Material thickness: 2.5 mm

- For lampholders G5 with snap in foot 25.5 x 17.5 mm, e.g. 27.660.U806, 27.661.U808

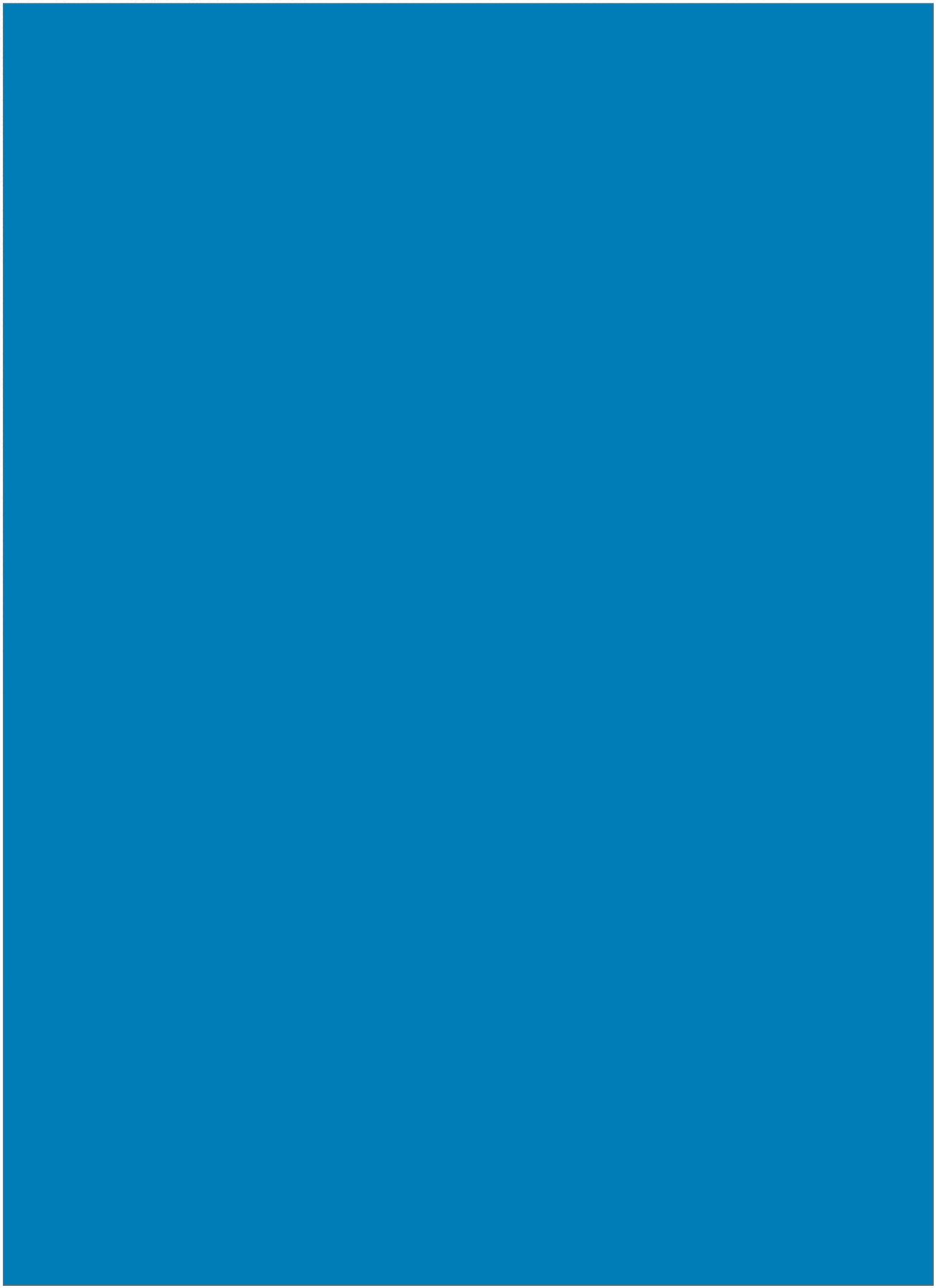
CAD	i
	[02] 3...



Compact Fluorescent Lampholders



Your Connection to Light



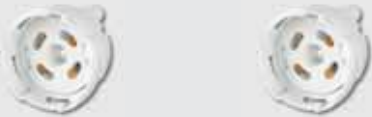
Compact Fluorescent Lampholders

Table of Contents




GR14q
· 26.738

[03] 14, 15



GZ16q
· 26.739

[03] 16



G23
· 26.719
· 26.721

[03] 17-19
[03] 17, 18




GX23 / GX23-2
· 26.720

[03] 20, 21

Supports for TC-S lamps
· 26.719

[03] 22-24



G24 / GX24
· 26.745

[03] 25-32

Accessories for G24 / GX24
· 26.725
· 26.930

[03] 33
[03] 34

Compact Fluorescent Lampholders

Table of Contents



2G7
· 26.727

[03] 35, 36

2GX7
· 26.727

[03] 36



2G11
· 26.726
· 26.746

[03] 37-41
[03] 41-45

2GX11
· 26.726

[03] 46-48



Accessories for TC-L lamps
· 26.726

[03] 49-54



GR8
· 26.716

[03] 55

GR10q
· 26.715
· 26.735

[03] 56
[03] 56

GRY10q-3
· 26.735

[03] 57



GX53
· 26.750

[03] 58

Accessories for GX53
· 26.750

[03] 58

2G8-1
· 26.734

[03] 59

Compact Fluorescent Lampholders

General Information



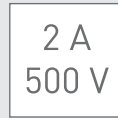
All articles in this chapter have been designed according to UL and/or CSA standards, and/or to the appropriate national and international standards (VDE / IEC). The choice of product and correct technical application is the sole responsibility of the user.
 Further information available on request. We reserve the right to modify products without notice.
 Where no electrical rating is stated then, fluorescent lampholders and starter holders are designed for 250 V / 2 A, according to IEC 60400 / VDE 0616 part 3.
 When regulations deviate from IEC, i.e. UL, other ratings may be possible.
 Please also note the general information at the end of this catalog and the directions for use.

Explanation of the symbols shown on the product pages.



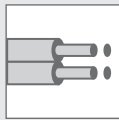
Temperature rating T 140

Declaration of the rated temperature (when > 80°C).
 The maximum operating temperature is given by a T marking.
 This is the maximum operating temperature for which the lampholder is designed.



Rating

Indication of rated values.

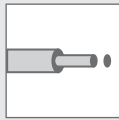


Twin push wire terminals



Rating

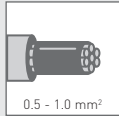
Indication of rated values.
 For approval cULus (USA).



Single push wire terminals



CAD-Data files in 2D or 3D format available

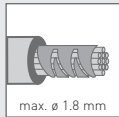


For tinned wire ends within the cross sectional range stated
 (In this example 0.5 - 1.0 mm²)
 When regulations deviate from IEC, other cross sections are possible (i.e. UL / CSA: cables 18 AWG).

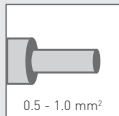


Additional Information

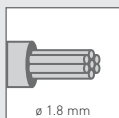
Further information about the products shown on this page can be found on the pages shown within this symbol.



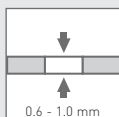
For wire ends with ferrule to the maximum diameter stated
 (In this example max. ø 1.8 mm)
 The cable and termination used must be compatible in respect of: Diameter and length of the ferrule, strip length of insulation.
 For further information see DIN 46228, part 3, size 1 - 7.



For solid conductors within the cross sectional range stated
 (In this example 0.5 - 1.0 mm²)
 When regulations deviate from IEC, other cross sections are possible (i.e. UL / CSA: cable 18 AWG).



For 7 stranded wire ends within the cross sectional range stated
 (In this example ø 1.8 mm)



Mounting material thickness

Indication in mm
 (In this example 0.6 - 1.0 mm)
 We recommend to ensure snap mount products locate correctly and securely, that material is punched in the same direction of component insertion (to minimize the effects of burr)









Lampholders for Instantstart

Compact Fluorescent Lampholders

Possible Combinations of Lampholders G23, GX23, GX23-2 and Accessories



	Cradle supports 26.719.U310, 26.719-013 see page [03] 22	●	●	●						
	Internal supports 26.719.U810, .U811, 26.719-011 see page [03] 22, 23	●	●	●						
	Cradle supports 26.719.U801, 26.719-811 see page [03] 23, 24	●	●	●						
		 <p>26.719 see page [03] 17-19</p>	 <p>26.721 see page [03] 17, 18</p>	 <p>26.720 see page [03] 20, 21</p>						

● Combination possible

Compact Fluorescent Lampholders

Possible Combinations of Lampholders G24 + GX24 and Accessories



	Adaptor 26.725.-410 see page [03] 33 only to combine with base G24q/GX24q	not for 2 pin lamps ●	not for 2 pin lamps ●	not for 2 pin lamps ●	not for 2 pin lamps ●	not for 2 pin lamps ●	not for 2 pin lamps ●	not for 2 pin lamps ●		
	Adaptor 26.725.-420 see page [03] 33 only to combine with base G24q/GX24q	not for 2 pin lamps ●	not for 2 pin lamps ●	not for 2 pin lamps ●	not for 2 pin lamps ●	not for 2 pin lamps ●	not for 2 pin lamps ●	not for 2 pin lamps ●		
	Support 26.930.U301 see page [03] 34			●						
		26.745.23xx 26.745.2401	26.745.15xx 26.745.1601	26.745.11xx 26.745.1201	26.745.13xx 26.745.1401	26.745.19xx 26.745.2001	26.745.17xx 26.745.1801			
		see page [03] 25	see page [03] 26	see page [03] 27	see page [03] 28, 29	see page [03] 30, 31	see page [03] 32			

● Combination possible

Compact Fluorescent Lampholders

Possible Combinations of Lampholders 2G7, 2GX7, 2G11, 2GX11 and Accessories



	Cradle supports 26.726.U310,.-013 26.726.-320 see page [03] 49, 50				●	●	●	●	●	
	Internal supports 26.726.U810, U811, 26.726.-012 see page [03] 50, 51				●	●	●	●	●	
	Cradle supports 26.726.-811, -812 26.726.-813 see page [03] 51, 52				●	●	●	●	●	
	Cradle supports 26.726.U801, -821, 26.726.-822 Internal supports 26.726.U826 see page [03] 53, 54				●	●	●	●	●	
	Cradle supports 26.719.U310, -013 see page [03] 22 26.719.U801, -811 see page [03] 23, 24	●	●							
	Internal supports 26.719.U810, U811 26.719.-011 see page [03] 22, 23	●	●							
			26.727.83xx see page [03] 35, 36	26.727.8501 see page [03] 36	26.726.48xx see page [03] 37-39	26.726.68xx see page [03] 39-41	26.746.1xx see page [03] 41-43	26.746.60xx see page [03] 43-45	26.746.49xx see page [03] 46-48	

● Combination possible

Compact Fluorescent Lampholders

General Information for 2G11 “Red Button Lampholders”

26.746



2G11 “Red Button Lampholders”

- Lampholder with parallel slots for lamp insertion
- Firm fixing of the lamp in applications of severe vibration
- “Red Button Lampholder”: Lamp is simply pushed into direction of lampholder contacts. Lamp pins and lampholder contacts slot together automatically.
To change the lamp, simply press the red button and the locking is automatically released.



Compact Fluorescent Lampholders

Technical Information



The information and values stated here are for quick reference only. For specific information please contact the relevant lamp manufacturer.

Wattage
- W -

Lamp length
- mm -

Lamp base/
standard

Lampholder/
standard

Lampholders
see page

L1

L (d)

L (q)

GR14q 	11	105	112	GR14q	GR14q	[03] 14, 15
	14	130	136			
	17	150	156			

GZ16q 	16	max. 70		GZ16q	GZ16q	[03] 16
	21	max. 70				
	28	max. 70				

G23 	5	85	108	G23	G23	[03] 17-19
	7	115	138			
	9	145	168			
	11	215	238			
				IEC 60061-1 7004-69	IEC 60061-2 7005-69	

GX23 	13	170	193	GX23/GX23-2	GX23/GX23-2	[03] 20, 21
				IEC 60061-1 7004-86	IEC 60061-2 7005-86	

G24 	10	95	118	G24	G24	[03] 25-32
	13	130	153			
	18	150	173			
	26	170	193			
				IEC 60061-1 7004-78	IEC 60061-2 7005-78	

Compact Fluorescent Lampholders

Technical Information



The information and values stated here are for quick reference only. For specific information please contact the relevant lamp manufacturer.

Wattage
- W -

Lamp length
- mm -

Lamp base/
standard

Lampholder/
standard

Lampholders
see page

L1

L

GX24		Wattage - W -			Lamp length - mm -		Lamp base/standard	Lampholder/standard	Lampholders see page
		5	7	9	L1	L			
		13	18	26	90	113	GX24	GX24	[03] 25-32
		18	26	32	105	128	IEC	IEC	
		26	32	42	125	148	60061-1	60061-2	
		32	42	57	140		7004-78	7005-78	
		42	57	70	155				
		57	70		181				
		70			165.5				

		<p>Lamp base G24 and GX24 Key d-1 / q-1, 10 - 13 W Key q-5, 57 W</p>
		<p>Lamp base G24 and GX24 Key d-2 / q-2, 18 W Key q-6, 70 W</p>
		<p>Lamp base G24 and GX24 Key d-3 / q-3, 26 and 32 W</p>
		<p>Lamp base G24 and GX24 Key q-4, 42 W</p>

2G7		Wattage - W -			Lamp length - mm -		Lamp base/standard	Lampholder/standard	Lampholders see page
		5	7	9	L1	L			
		5	7	9	85		2G7	2G7	[03] 35,36
		7	9	11	115		IEC	IEC	
		9	11		145		60061-1	60061-2	
		11			215		7004-102	7005-102	

Compact Fluorescent Lampholders

Technical Information



The information and values stated here are for quick reference only. For specific information please contact the relevant lamp manufacturer.

Wattage
- W -

Lamp length
- mm -

Lamp base/
standard

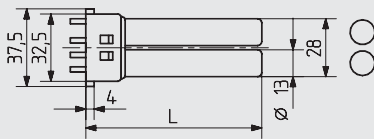
Lampholder/
standard

Lampholders
see page

L1

L

2GX7



13

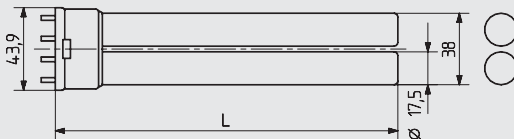
157

2GX7
IEC
60061-1
7004-103

2GX7
IEC
60061-2
7005-103

[03] 36

2G11



18
24
36
40
55
80

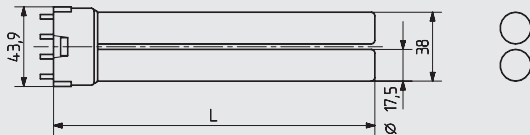
225
320
415
535
535
565

2G11
IEC
60061-1
7004-82

2G11
IEC
60061-2
7005-82

[03] 37-45

2GX11



16
22
26
28

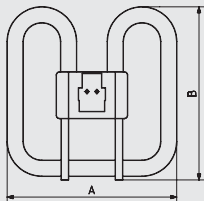
320
415
535
535

2GX11

2GX11

[03] 46-48

GR8



16
28

A
- mm -
138
205

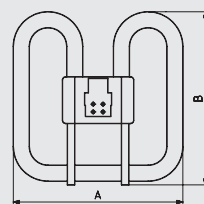
B
- mm -
141
207

GR8
IEC
60061-1
7004-68

GR8
IEC
60061-2
7005-68

[03] 55

GR10q



10
16
21
28
38

92
138
138
205
205

95
141
141
207
207

GR10q
IEC
60061-1
7004-77

GR10q
IEC
60061-2
7005-77

[03] 56

Compact Fluorescent Lampholders

Technical Information



The information and values stated here are for quick reference only. For specific information please contact the relevant lamp manufacturer.

Wattage
- W -

Lamp length
- mm -

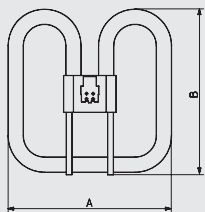
Lamp base/
standard

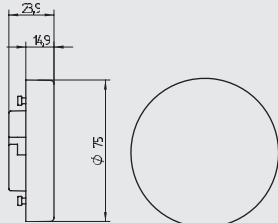
Lampholder/
standard

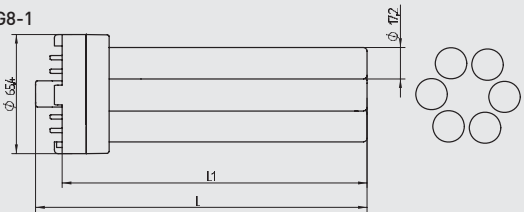
Lampholders
see page

L1

L

<p>GRY10q-3</p> 	55	205	207	GRY10q-3	GRY10q-3	[03] 57
--	----	-----	-----	-----------------	-----------------	---------

<p>GX53</p> 	7			GX53	GX53	[03] 58
---	---	--	--	-------------	-------------	---------


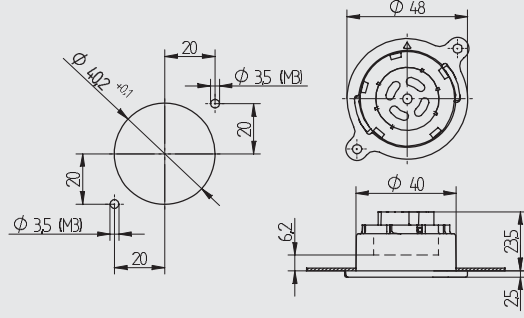
<p>2G8-1</p> 	60 85 120	L - mm - 182 285 300	A - mm - 167 208 285	2G8-1	2G8-1	[03] 59
---	-----------------	----------------------------------	----------------------------------	--------------	--------------	---------

Compact Fluorescent Lampholders

GR14q

26.738



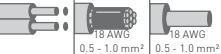



pkg. wt. part no.
250 10 g **26.738.1001.50**


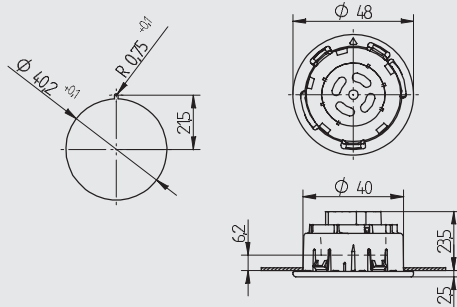
Screw mount
Housing: PBT
Wiring: Rear entry wiring

- For cheese head screws ISO 1207 - M3
- For correct technical operation of the lamp when mounted horizontally, the lampholder must be embodied, so that the arrow on the lampholder rim is pointing upwards following installation of the luminaire.

T 140



CAD i





pkg. wt. part no.
250 10 g **26.738.1002.50**


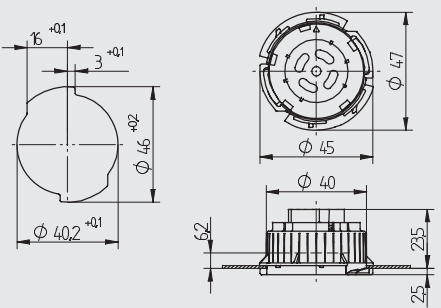
Snap-in mounting
Housing: PBT
Wiring: Rear entry wiring

- For correct technical operation of the lamp, when mounted horizontally, the lampholder must be embodied, so that the arrow on the lampholder rim is pointing upwards following installation of the luminaire.

T 140



CAD i





pkg. wt. part no.
250 10 g **26.738.1003.50**

Twist and lock mounting
Housing: PBT
Wiring: Rear entry wiring

- For correct technical operation of the lamp, when mounted horizontally, the lampholder must be embodied, so that the arrow on the lampholder rim is pointing upwards following installation of the luminaire.

T 140

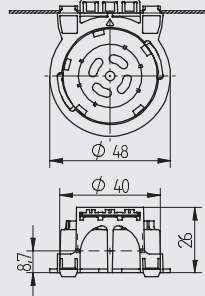
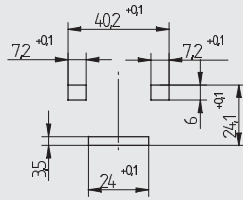


CAD i

Compact Fluorescent Lampholders

GR14q

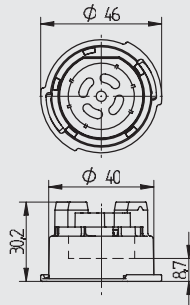
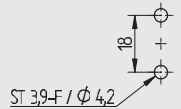
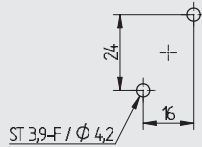
26.738



pkg. wt. part no.
250 17 g **26.738.1004.50**

Housing: PBT
Wiring: Rear entry wiring
• Mounting position: up side down

T 140					2 A 500 V	CAD	i	[03] 3...
-------	--	--	--	--	--------------	-----	---	-----------



pkg. wt. part no.
250 17 g **26.738.1005.50**

Screw fixing at rear
Housing: PBT
Wiring: Rear entry wiring
• For self-tapping screws ISO 1481 - ST 3.9 - F
• For correct technical operation of the lamp, when mounted horizontally, the lampholder must be embodied, so that the arrow on the lampholder rim is pointing upwards following installation of the luminaire.

T 140				2 A 500 V	CAD	i	[03] 3...
-------	--	--	--	--------------	-----	---	-----------

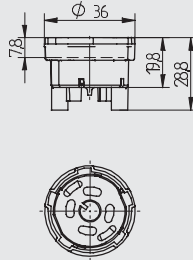
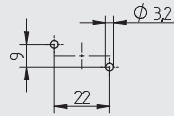
Compact Fluorescent Lampholders

GZ16q

26.739



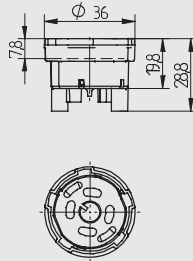
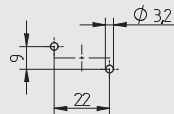
pkg. wt. part no.
250 11 g **26.739.1004.50**



For lamps CFL GZ16q
Screw mount at rear
Housing: PBT
Key: q-3 (16 Watt)
cULus file no.: E-92235
• Keys for different wattages available by request

130°C				660 W 600 V	CAD	i
		18 AWG 0.5 - 1.0 mm ²	0.6 - 1.0			[03] 3...

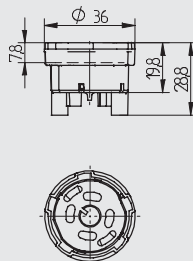
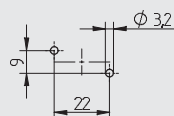
pkg. wt. part no.
250 11 g **26.739.1005.50**



For lamps CFL GZ16q
Screw mount at rear
Housing: PBT
Key: q-4 (21 Watt)
cULus file no.: E-92235
• Keys for different wattages available by request

130°C				660 W 600 V	CAD	i
		18 AWG 0.5 - 1.0 mm ²	0.6 - 1.0			[03] 3...

pkg. wt. part no.
250 11 g **26.739.1006.50**



For lamps CFL GZ16q
Screw mount at rear
Housing: PBT
Key: q-5 (28 Watt)
cULus file no.: E-92235
• Keys for different wattages available by request

130°C				660 W 600 V	CAD	i
		18 AWG 0.5 - 1.0 mm ²	0.6 - 1.0			[03] 3...

Compact Fluorescent Lampholders

26.719 26.721

G23 Lampholders



pkg. wt. part no.
250 10 g **26.719.4700.50**

For lamps TC-S
For use in customer moldings (e.g. luminaire housings)
Housing: PBT
cULus file no.: E-92235
Wiring: Rear entry wiring
Show accessories on page:[03] 22, [03] 23, [03] 24

T 140					CAD	i	[03] 3...
		18 AWG 0.5 - 1.0 mm ²	18 AWG 0.5 - 1.0 mm ²	18 AWG 0.5 - 1.0 mm ²			

pkg. wt. part no.
250 10 g **26.721.4306.50**

For lamps TC-S
Snap-in pins
Housing: PBT
cULus file no.: E-92235
Wiring: through the body
Show accessories on page:[03] 22, [03] 23, [03] 24

T 140					CAD	i	[03] 3...
		18 AWG 0.5 - 1.0 mm ²	18 AWG max. ø 1.8 mm	18 AWG 0.5 - 1.0 mm ²			

pkg. wt. part no.
250 10 g **26.721.4307.50**

For lamps TC-S
Snap-in pins
Housing: PBT
cULus file no.: E-92235
Wiring: through the body
• Surface wiring via snap in pins possible.
• Note: maximum cable 2.2 mm
Show accessories on page:[03] 22, [03] 23, [03] 24

T 140					CAD	i	[03] 3...
		18 AWG 0.5 - 1.0 mm ²	18 AWG max. ø 1.8 mm	18 AWG 0.5 - 1.0 mm ²			

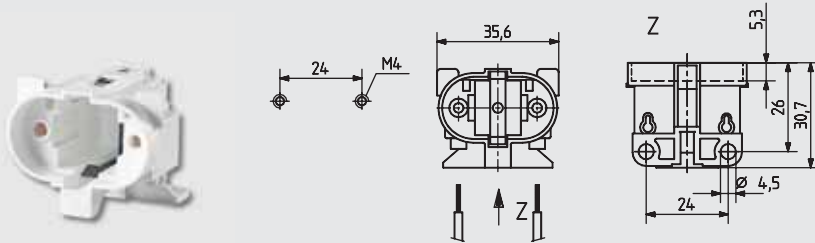
Compact Fluorescent Lampholders

26.721 26.719

G23 Lampholders



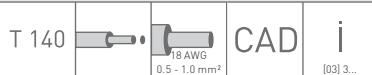
pkg. wt. part no.
250 9 g **26.721.4302.50**



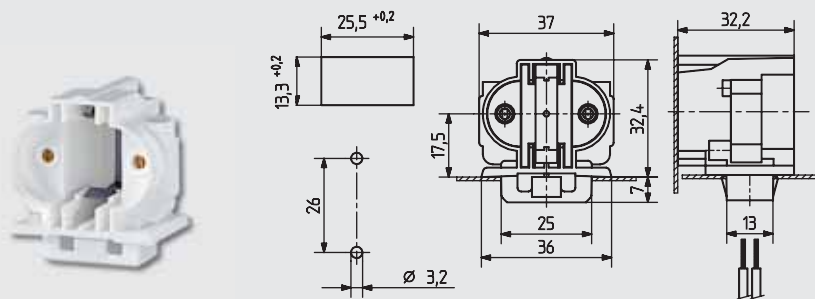
For lamps TC-S
Screw mounting horizontally
Housing: PBT
cULus file no.: E-92235
Wiring: through the body

- For solid conductors only
- Holes: \varnothing 4.5 mm, for screws ISO1207 - M 4

 Show accessories on page:[03] 22, [03] 23, [03] 24



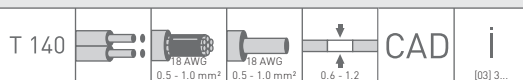
pkg. wt. part no.
250 13 g **26.721.8301.50**



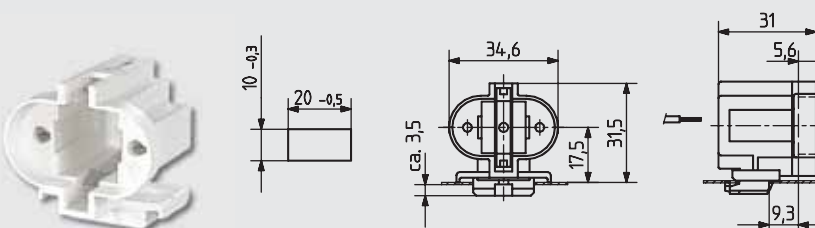
For lamps TC-S
Vertical screw mount
Snap-in foot 25.5 x 13.3 mm
Housing: PBT
cULus file no.: E-92235
Wiring: through the body

- For self-tapping screws with locating groove ISO 1481 - ST 2,9 x 9,5 - C

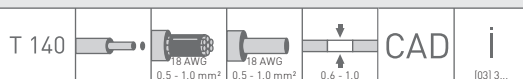
 Show accessories on page:[03] 22, [03] 23, [03] 24



pkg. wt. part no.
250 12 g **26.719.4701.50**



For lamps TC-S
Snap-in foot 10 x 20 mm
Housing: PBT
cULus file no.: E-92235
Wiring: Rear entry wiring
 Show accessories on page:[03] 22, [03] 23, [03] 24



Compact Fluorescent Lampholders

G23 Lampholders

26.719



pkg. wt. part no.
250 11 g **26.719.4708.50**

For lamps TC-S
Push in mount
Screw mounting horizontally
Housing: PBT
cULus file no.: E-92235
Wiring: Rear entry wiring

- Screw mount: long holes: $\varnothing 4.5 \times 4.5$ mm for screws ISO 1207 - M4
- Holes: $\varnothing 2.2$ mm for self-tapping screws with locating groove ISO 1481 - ST 2.9 - F/ISO 4753 - SC
- Into locating grooves in mount plate

Show accessories on page:[03] 22, [03] 23, [03] 24

T 140

CAD

i

[03] 3...

pkg. wt. part no.
250 10 g **26.719.4703.50**

For lamps TC-S
Housing: PBT
cULus file no.: E-92235
Wiring: Rear entry wiring

- Please consult us if moulded housings are used

Show accessories on page:[03] 22, [03] 23, [03] 24

T 140

CAD

i

[03] 3...

pkg. wt. part no.
250 11 g **26.719.0006.50**

For lamps TC-S
Vertical screw mount
Housing: PBT
cULus file no.: E-92235
Wiring: Rear entry wiring

- Distance between contact and mounting surface in accordance with UL = 11.5 mm
- Holes: $\varnothing 3.7$ mm: for screws ISO 1207 - M3 or for self-tapping screws with locating groove ISO 1481 - ST 4.2 - F/ISO 4753 - SC

Show accessories on page:[03] 22, [03] 23, [03] 24

T 140

CAD

i

[03] 3...

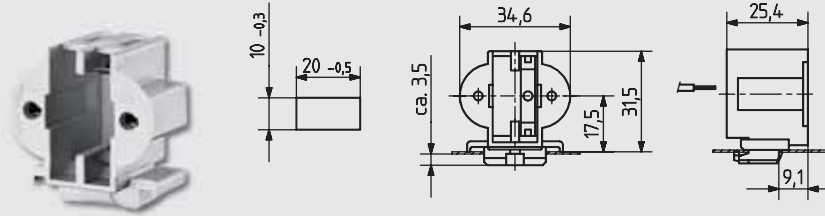
Compact Fluorescent Lampholders

GX23 / GX23-2

26.720



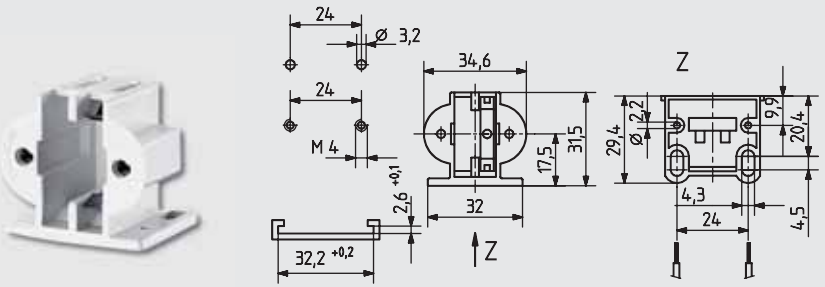
pkg. wt. part no.
500 12 g **26.720.0001.50**



For lamps TC-D, TC-S
Snap-in foot 10 x 20 mm
Housing: PBT
cULus file no.: E-92235
Wiring: Rear entry wiring
Show accessories on page:[03] 22, [03] 23, [03] 24

120°C				600 V 75 W	CAD	i
	18 AWG	18 AWG	0.6 - 1.0			[03] 3...

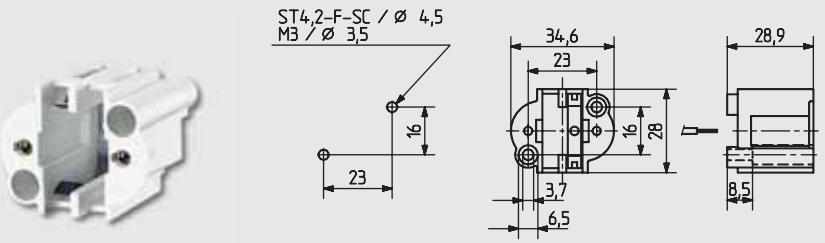
pkg. wt. part no.
500 10 g **26.720.0002.50**



For lamps TC-D, TC-S
Push in mount
Screw mounting horizontally
Housing: PBT
cULus file no.: E-92235
Wiring: Rear entry wiring
• Screw mount: long holes: \varnothing 4.5 x 4.5 mm for screws ISO 1207 - M4 or holes: \varnothing 2.2 mm for self-tapping screws ISO 1481- ST 2.9 - F
Show accessories on page:[03] 22, [03] 23, [03] 24

120°C				600 V 75 W	CAD	i
	18 AWG	18 AWG				[03] 3...

pkg. wt. part no.
500 11 g **26.720.0006.50**



For lamps TC-D, TC-S
Vertical screw mount
Housing: PBT
cULus file no.: E-92235
• Distance between contact and mounting surface in accordance with UL = 11.5 mm
• Holes: \varnothing 3.7 mm: for screws ISO 1207 - M3 or for self-tapping screws with locating groove ISO 1481 - ST 4.2 - F / ISO 4753 - SC
Show accessories on page:[03] 22, [03] 23, [03] 24

120°C				600 V 75 W	CAD	i
	18 AWG	18 AWG				[03] 3...

Compact Fluorescent Lampholders

GX23 / GX23-2

26.720



pkg. wt. part no.
250 10 g **26.720.4354.50**

For lamps TC-D, TC-S
Snap-in pins
Housing: PBT
cULus file no.: E-92235
Wiring: through the body

- Wiring protected through snap in barrel with integral sheet metal bushing detail

Show accessories on page:[03] 22, [03] 23

120°C					600 V 75 W	CAD	i
	18 AWG	18 AWG		0.6 - 1.0			[03] 3...

pkg. wt. part no.
250 13 g **26.720.8701.50**

For lamps TC-S
Vertical screw mount
Snap-in foot 25.5 x 13.3 mm
Housing: PBT
cULus file no.: E-92235
Wiring: through the body

- For self-tapping screws ISO 1478 - ST 2.9 x 9.5 - C / ISO4753 - SC

Show accessories on page:[03] 22, [03] 23, [03] 24

120°C					600 V 75 W	CAD	i
	18 AWG	18 AWG		0.6 - 1.2			[03] 3...


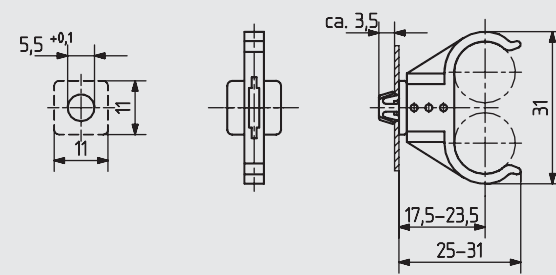
Compact Fluorescent Lampholders

Accessories for TC-S Lamps

26.719




pkg. wt. part no.
500 1 g **26.719.U310.50**


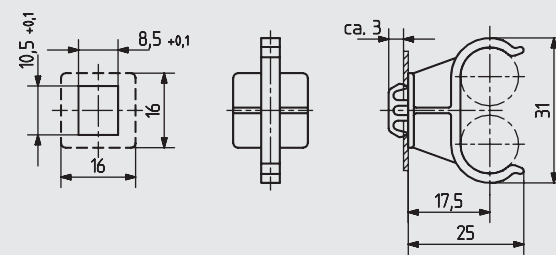
Lamp center: 17.5 / 20.5 / 23.5 mm
 Push-in pins 5.5 mm dia.
 Support material: PC

- Two pieces, adjustable height,
- Snap in pin: white
- Support: transparent
- Base and support are packed separately.
- Supports ensure a constant gap between lamp and geartray.
- For applications with a high light output (reflectors, glass covers, several lamps next to each other), we recommend metal supports, part no. 26.719.U810 / 26.719.U811



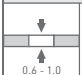
CAD i
[03] 3...

pkg. wt. part no.
500 1 g **26.719.-013.50**


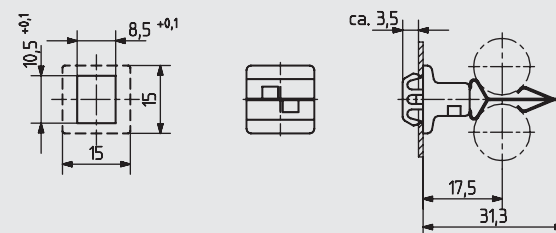
Push-in pins 8.5 x 10.5 mm
 Support material: PC

- Supports ensure a constant gap between lamp and geartray.
- For applications with a high light output (reflectors, glass covers, several lamps next to each other), we recommend metal supports, part no. 26.719.U810 / 26.719.U811.



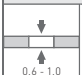
CAD i
[03] 3...

pkg. wt. part no.
500 3 g **26.719.U810.10**

Push-in pins 8.5 x 10.5 mm
 Support material: Metal
 Snap in lug: PC

- Supports ensure a parallel spacing between lamp and mounting surface.



CAD i
[03] 3...

Compact Fluorescent Lampholders

Accessories for TC-S Lamps

26.719



		pkg. wt. part no. 500 3 g 26.719.U811.10	
			Push-in pins 5.5 mm dia. Support material: Metal Snap in lug: PC <ul style="list-style-type: none"> • Supports ensure a parallel spacing between lamp and mounting surface.
	CAD i (03) 3...		

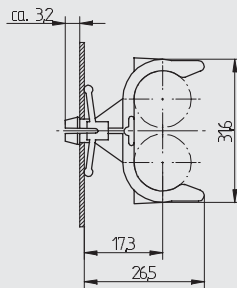
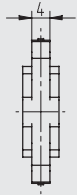
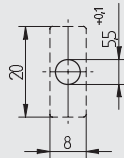
		pkg. wt. part no. 500 1 g 26.719.-011.50	
			Push-in pins 8.5 x 10.5 mm Support material: PC <ul style="list-style-type: none"> • Supports ensure a constant gap between lamp and geartray. • For applications with a high light output (reflectors, glass covers, several lamps next to each other), we recommend metal supports, part no. 26.719.U810 / 26.719.U811.
	CAD i (03) 3...		

		pkg. wt. part no. 250 3 g 26.719.U801.85	
			Push-in pins 4.2 mm dia. Support material: PC <ul style="list-style-type: none"> • With tiltable safety bracket • Supports ensure a constant gap between lamp and geartray. • For applications with a high light output (reflectors, glass covers, several lamps next to each other), we recommend metal supports, part no. 26.719.U810 / 26.719.U811.
	CAD i (03) 3...		

Compact Fluorescent Lampholders

Accessories for TC-S Lamps

26.719



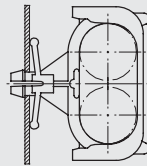
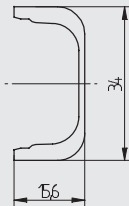
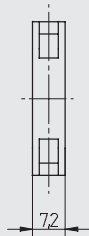
pkg. wt. part no.
250 2 g **26.719.-811.85**

Push-in pins 5.5 mm dia.

Support material: PC

- Supports ensure a constant gap between lamp and geartray.
- For applications with a high light output (reflectors, glass covers, several lamps next to each other), we recommend metal supports, part no. 26.719.U810 / 26.719.U811.

Show accessories on page:[03] 24



pkg. wt. part no.
250 1 g **26.719.-810.85**

Support material: PC

- Safety bracket can be pushed over lamp support for transport.
- Supports ensure a constant gap between lamp and geartray.
- For applications with a high light output (reflectors, glass covers, several lamps next to each other), we recommend metal supports, part no. 26.719.U810 / 26.719.U811.

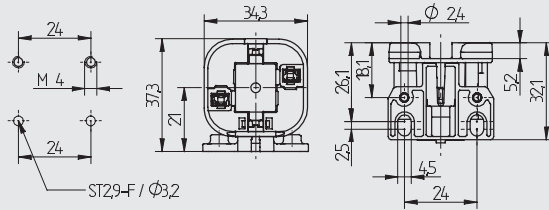
Example of application



Compact Fluorescent Lampholders

G24 / GX24

26.745



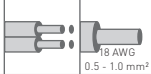
pkg. wt.
250 10 g

part no. Key:
26.745.2311.50 d-1 (10 / 13 Watt)
26.745.2321.50 d-2 (18 Watt)
26.745.2331.50 d-3 (26 / 32 Watt)
26.745.2341.50 d*

For lamps TC-D, TC-T
 Screw mounting horizontally
 Housing: PBT
 cULus file no.: E-92235

- Long holes \varnothing 4.5 x 2.5 mm for screws ISO 1207 - M4
- Holes \varnothing 2.4 mm for self-tapping screws ISO 1481 - ST2.9 - F
- Please note the base diameter (max. \varnothing 61 mm) for lamps with base GX 24.
- If required screw mount foot 26.745.-440. 50 and lampholders can be supplied separately
- *Note: Whilst the version of the lampholder without key is designed and constructed to the same high quality standards as the approved versions, there is no valid approval available that we can apply for.

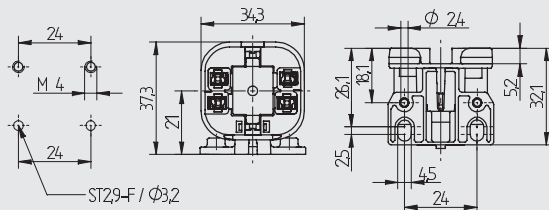
T 140



CAD

i

[03] 3...



pkg. wt.
250 10 g

part no. Key:
26.745.2351.50 q-1 (8 / 10 / 13 Watt) / q-5 (57 Watt)**
26.745.2361.50 q-2 (18 Watt) / q-6 (70 Watt)***
26.745.2371.50 q-3 (26 / 32 Watt)
26.745.2381.50 q-4 (42 Watt)
26.745.2391.50 q-3+q-4 (26 - 42 Watt)
26.745.2401.50 q (without key)*

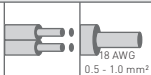
**Key q-5 only when used with adaptor 26.725.-420
 ***Key q-6 only when used with adaptor 26.725.-420

For lamps TC-DEL, TC-TEL
 Screw mounting horizontally
 Housing: PBT
 cULus file no.: E-92235

- Long holes \varnothing 4.5 x 2.5 mm for screws ISO 1207 - M4
- Holes \varnothing 2.4 mm for self-tapping screws ISO 1481 - ST2.9 - F
- Please note the base diameter (max. \varnothing 61 mm) for lamps with base GX 24.
- If required screw mount foot 26.745.-440. 50 and lampholders can be supplied separately
- *Note: Whilst the version of the lampholder without key is designed and constructed to the same high quality standards as the approved versions, there is no valid approval available that we can apply for.

Show accessories on page:[03] 33

T 140



CAD

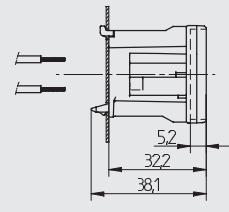
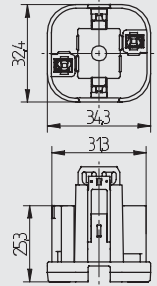
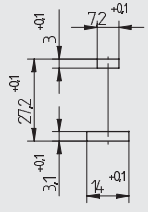
i

[03] 3...

Compact Fluorescent Lampholders

G24 / GX24

26.745



pkg. wt.
250 10 g

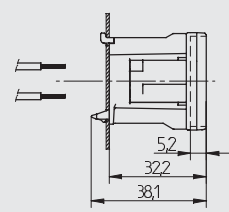
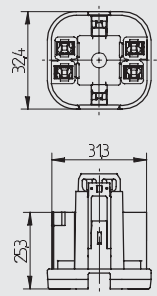
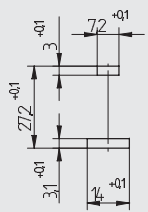
part no.	Key:
26.745.1511.50	d-1 (10 / 13 Watt)
26.745.1521.50	d-2 (18 Watt)
26.745.1531.50	d-3 (26 / 32 Watt)
26.745.1541.50	d*

For lamps TC-D, TC-T
Swivel mount pins at rear
Housing: PBT
cULus file no.: E-92235

- *Note: Whilst the version of the lampholder without key is designed and constructed to the same high quality Standards as the approved versions, there is no valid approval available that we can apply for.

T 140

CAD i [03] 3...



pkg. wt.
250 10 g

part no.	Key:
26.745.1551.50	q-1 (8 / 10 / 13 Watt) / q-5 (57 Watt)**
26.745.1561.50	q-2 (18 Watt) / q-6 (70 Watt)***
26.745.1571.50	q-3 (26 / 32 Watt)
26.745.1581.50	q-4 (42 Watt)
26.745.1591.50	q-3+q-4 (26 - 42 Watt)
26.745.1601.50	q (without key)*

**Key q-5 only when used with adaptor 26.725.-420
***Key q-6 only when used with adaptor 26.725.-420

For lamps TC-DEL, TC-TEL
Swivel mount pins at rear
Housing: PBT
cULus file no.: E-92235

- *Note: Whilst the version of the lampholder without key is designed and constructed to the same high quality Standards as the approved versions, there is no valid approval available that we can apply for.

Show accessories on page:[03] 33

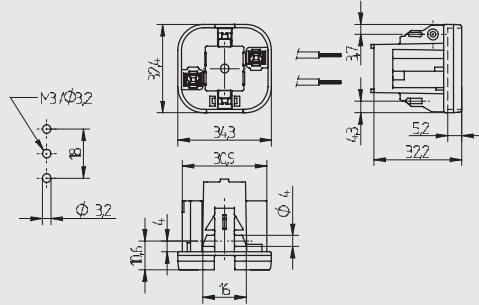
T 140

CAD i [03] 3...

Compact Fluorescent Lampholders

G24 / GX24

26.745



pkg. wt.
250 10 g

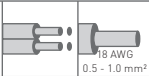
part no. Key:
26.745.1111.50 d-1 (10 / 13 Watt)
26.745.1121.50 d-2 (18 Watt)
26.745.1131.50 d-3 (26 / 32 Watt)
26.745.1141.50 d*

For lamps TC-D, TC-T
 Screw mount vertical or central, rivet mounting
 Housing: PBT
 cULus file no.: E-92235

- Screw mount: holes: \varnothing 3.2 mm for screws ISO 1207 - M3
- Rivet mount: we recommend blind rivet \varnothing 3.0 mm according to DIN 7337 (Aluminium / Steel flat round head) max. pull force 500 N
- *Note: Whilst the version of the lampholder without key is designed and constructed to the same high quality standards as the approved versions, there is no valid approval available that we can apply for.

Show accessories on page:[03] 34

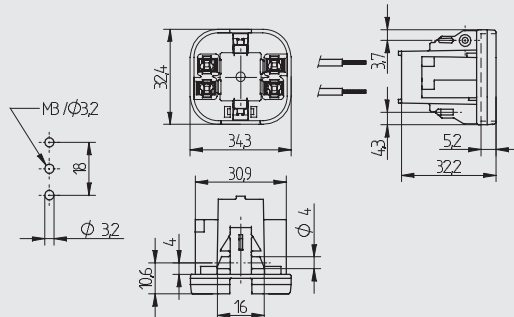
T 140



CAD

i

[03] 3...



pkg. wt.
250 10 g

part no. Key:
26.745.1151.50 q-1 (8 / 10 / 13 Watt) / q-5 (57 Watt)**
26.745.1161.50 q-2 (18 Watt) / q-6 (70 Watt)***
26.745.1171.50 q-3 (26 / 32 Watt)
26.745.1181.50 q-4 (42 Watt)
26.745.1191.50 q-3+q-4 (26 - 42 Watt)
26.745.1201.50 q (without key)*

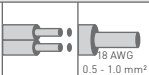
**Key q-5 only when used with adaptor 26.725.-420
 ***Key q-6 only when used with adaptor 26.725.-420

For lamps TC-DEL, TC-TEL
 Screw mount vertical or central, rivet mounting
 Housing: PBT
 cULus file no.: E-92235

- Screw mount: holes: \varnothing 3.2 mm for screws ISO 1207 - M3
- Rivet mount: we recommend blind rivet \varnothing 3.0 mm according to DIN 7337 (Aluminium / Steel flat round head) max. pull force 500 N
- *Note: Whilst the version of the lampholder without key is designed and constructed to the same high quality standards as the approved versions, there is no valid approval available that we can apply for.

Show accessories on page:[03] 33, [03] 34

T 140



CAD

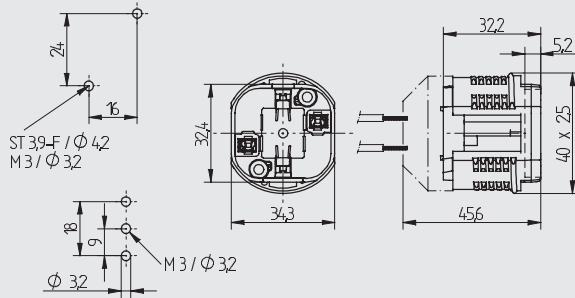
i

[03] 3...

Compact Fluorescent Lampholders

G24 / GX24

26.745



pkg. wt.
250 15 g

part no.	Key:
26.745.1311.50	d-1 (10 / 13 Watt)
26.745.1321.50	d-2 (18 Watt)
26.745.1331.50	d-3 (26 / 32 Watt)
26.745.1341.50	d*

For lamps TC-D, TC-T

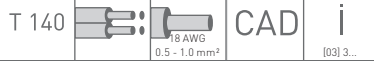
Screw mount

Snap-in mounting

Housing: PBT

cULus file no.: E-92235

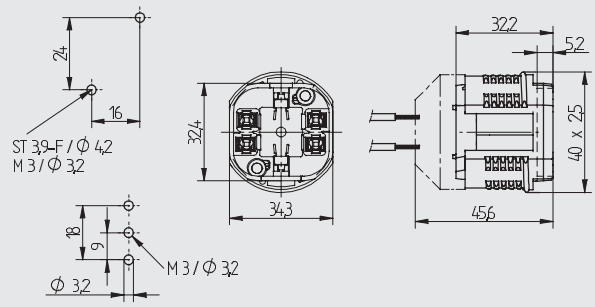
- Threaded barrel
- Screw mount vertical, diagonal: two holes ϕ 3.2 mm
- Panel cut-out: 2 holes, distance 16 x 24 for self-tapping screws ISO 1481 - ST 3.9 - F
- Screw mount central, vertical: one hole ϕ 3.2 mm and 2 anti rotation slots
- Panel cut-out: three holes 2 x 9 = 18 mm for screws ISO 1207 - M3
- Rivet mount: we recommend blind rivet ϕ 3.0 mm according to DIN 7337 (Aluminium / Steel flat round head) max. pull force 500 N
- *Note: Whilst the version of the lampholder without key is designed and constructed to the same high quality standards as the approved versions, there is no valid approval available that we can apply for.



Compact Fluorescent Lampholders

G24 / GX24

26.745



pkg. wt.
250 15 g

part no.	Key:
26.745.1351.50	q-1 (8 / 10 / 13 Watt) / q-5 (57 Watt)**
26.745.1361.50	q-2 (18 Watt) / q-6 (70 Watt)***
26.745.1371.50	q-3 (26 / 32 Watt)
26.745.1381.50	q-4 (42 Watt)
26.745.1391.50	q-3+q-4 (26 - 42 Watt)
26.745.1401.50	q (without key)*

**Key q-5 only when used with adaptor 26.725.-420
***Key q-6 only when used with adaptor 26.725.-420

For lamps TC-DEL, TC-TEL

Screw mount

Snap-in mounting

Housing: PBT

cULus file no.: E-92235

- Threaded barrel
- Screw mount vertical, diagonal: two holes ϕ 3.2 mm
- Panel cut-out: 2 holes, distance 16 x 24 for self-tapping screws ISO 1481 - ST 3.9 - F
- Screw mount central, vertical: one hole ϕ 3.2 mm and 2 anti rotation slots
- Panel cut out: three holes 2 x 9 = 18 mm for screws ISO 1207 - M3
- Rivet mount: we recommend blind rivet ϕ 3.0 mm according to DIN 7337 (Aluminium / Steel flat round head) max. pull force 500 N
- *Note: Whilst the version of the lampholder without key is designed and constructed to the same high quality standards as the approved versions, there is no valid approval available that we can apply for.

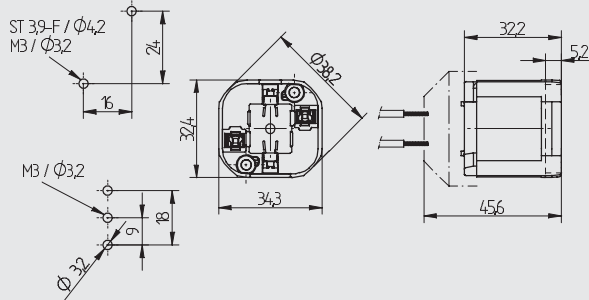
Show accessories on page:[03] 33

T 140	 18 AWG 0.5 - 1.0 mm ²	CAD	i
			[03] 3...

Compact Fluorescent Lampholders

G24 / GX24

26.745



pkg. wt.
250 14 g

part no.	Key:
26.745.1911.50	d-1 (10 / 13 Watt)
26.745.1921.50	d-2 (18 Watt)
26.745.1931.50	d-3 (26 / 32 Watt)
26.745.1941.50	d*

For lamps TC-D, TC-T

Screw mount

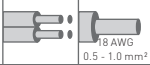
Snap-in mounting

Housing: PBT

cULus file no.: E-92235

- Plain barrel
- Screw mount vertical, diagonal: two holes \varnothing 3.2 mm
- Panel cut-out: 2 holes, distance 16 / 24, for self-tapping screws ISO 1481 - ST 3.9 - F
- Screw mount central, vertical: one hole \varnothing 3.2 mm and 2 anti rotation slots
- Panel cut-out: three holes 2 x 9 = 18 mm, for screws ISO 1207 - M3
- Rivet mount: we recommend blind rivet \varnothing 3.0 mm according to DIN 7337 (Aluminium / Steel flat round head) max. pull force 500 N
- *Note: Whilst the version of the lampholder without key is designed and constructed to the same high quality standards as the approved versions, there is no valid approval available that we can apply for.

T 140



CAD

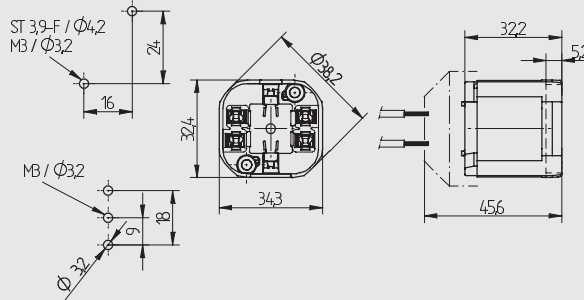
i

[03] 3...

Compact Fluorescent Lampholders

G24 / GX24

26.745



pkg. wt.
250 14 g

part no.	Key:
26.745.1951.50	q-1 (8 / 10 / 13 Watt) / q-5 (57 Watt)**
26.745.1961.50	q-2 (18 Watt) / q-6 (70 Watt)***
26.745.1971.50	q-3 (26 / 32 Watt)
26.745.1981.50	q-4 (42 Watt)
26.745.1991.50	q-3+q-4 (26 - 42 Watt)
26.745.2001.50	q (without key)*

**Key q-5 only when used with adaptor 26.725.-420

***Key q-6 only when used with adaptor 26.725.-420

For lamps TC-DEL, TC-TEL

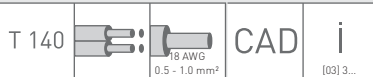
Screw mount

Snap-in mounting

Housing: PBT

cULus file no.: E-92235

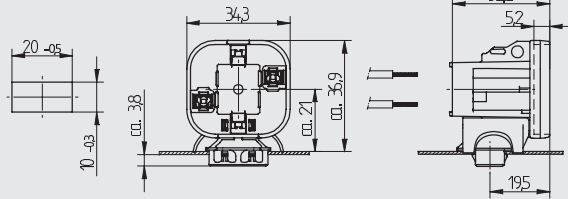
- Plain barrel
- Screw mount vertical, diagonal: two holes \varnothing 3.2 mm
- Panel cut-out: 2 holes, distance 16 / 24, for self-tapping screws ISO 1481 - ST 3.9 - F
- Screw mount central, vertical: one hole \varnothing 3.2 mm and 2 anti rotation slots
- Panel cut-out: three holes 2 x 9 = 18 mm, for screws ISO 1207 - M3
- Rivet mount: we recommend blind rivet \varnothing 3.0 mm according to DIN 7337 (Aluminium / Steel flat round head) max. pull force 500 N
- *Note: Whilst the version of the lampholder without key is designed and constructed to the same high quality standards as the approved versions, there is no valid approval available that we can apply for.



Compact Fluorescent Lampholders

G24 / GX24

26.745

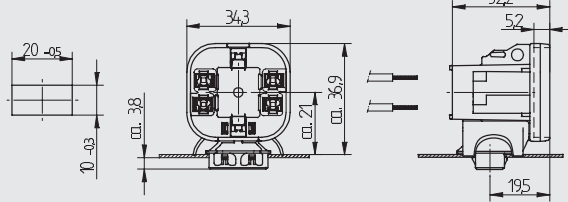


pkg. wt.
250 11 g

part no.	Key:
26.745.1711.50	d-1 (10 / 13 Watt)
26.745.1721.50	d-2 (18 Watt)
26.745.1731.50	d-3 (26 / 32 Watt)
26.745.1741.50	d*

For lamps TC-D, TC-T
Snap-in foot 10 x 20 mm
Housing: PBT
cULus file no.: E-92235

- Please note the base diameter (max. \varnothing 61 mm) for lamps with base GX24.
- If required snap in foot 26.745.-404.50 can be supplied separately.
- *Note: Whilst the version of the lampholder without key is designed and constructed to the same high quality standards as the approved versions, there is no valid approval available that we can apply for.



pkg. wt.
250 11 g

part no.	Key:
26.745.1751.50	q-1 (8 / 10 / 13 Watt) / q-5 (57 Watt)**
26.745.1761.50	q-2 (18 Watt) / q-6 (70 Watt)***
26.745.1771.50	q-3 (26 / 32 Watt)
26.745.1781.50	q-4 (42 Watt)
26.745.1791.50	q-3+q-4 (26 - 42 Watt)
26.745.1801.50	q (without key)*

**Key q-5 only when used with adaptor 26.725.-420
***Key q-6 only when used with adaptor 26.725.-420

For lamps TC-DEL, TC-TEL
Snap-in foot 10 x 20 mm
Housing: PBT
cULus file no.: E-92235

- Please note the base diameter (max. \varnothing 61 mm) for lamps with base GX24.
- If required snap in foot 26.745.-404.50 can be supplied separately.
- *Note: Whilst the version of the lampholder without key is designed and constructed to the same high quality standards as the approved versions, there is no valid approval available that we can apply for.

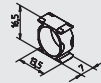
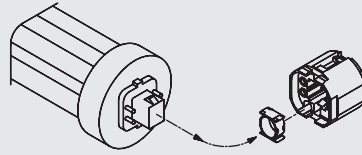
Show accessories on page:[03] 33



Compact Fluorescent Lampholders

Accessories G24 / GX24

26.725



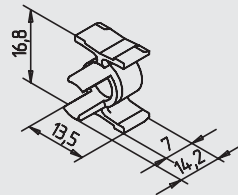
pkg.	wt.	part no.
500	1 g	26.725.-410.50

Adaptor for lampholders G 24 q / GX 24 q

Insert: PBT

- Only lamps with base G24q and GX24q can be used when the adaptor has been inserted.

CAD 
[03] 3...

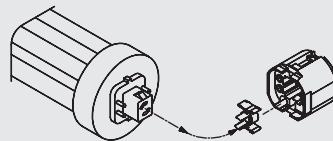


pkg.	wt.	part no.
500	1 g	26.725.-420.50

Insert for lampholders G24 q / GX 24 q

Insert: PBT

- When adaptor is used with q-1 lampholders only lamps with base q-5 (57 W) can be inserted, when used with q-2 lampholders only lamps with base q-6 (70 W) can be inserted.



Example of application:
Lamp with 57 W-base - Adaptor - Lampholder G24 q-1

CAD 
[03] 3...

Compact Fluorescent Lampholders

Accessories G24 / GX24

26.930



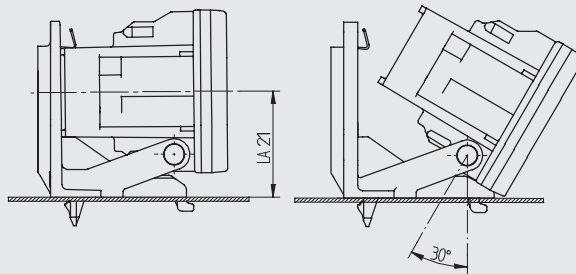
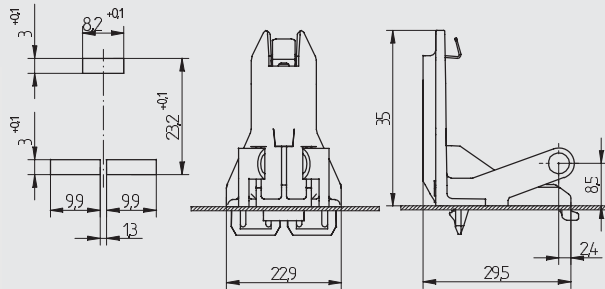
pkg. wt. part no.
250 4 g **26.930.U301.50**

For use with lampholder series 26.745.1111 - 1201

Snap-in pins

Pivot bracket: PBT

- Please note the base diameter (max. \varnothing 61 mm) for lamps with base GX24.



Example of application



Compact Fluorescent Lampholders

2G7

26.727



					pkg. wt. part no. 250 14 g 26.727.8333.50
					For lamps TC-SEL Vertical screw mount Housing: PBT cULus file no.: E-92235
					<ul style="list-style-type: none"> Holes: ϕ 2.3 mm for self-tapping screws with locating groove ISO 1481 - ST2.9 - F/ISO 4753 - SC Show accessories on page: [03] 22, [03] 23, [03] 24
T 140				CAD i [03] 3...	

					pkg. wt. part no. 250 17 g 26.727.8331.50
					For lamps TC-SEL Screw mounting horizontally Vertical screw mount Housing: PBT cULus file no.: E-92235
					<ul style="list-style-type: none"> Screw mount horizontally: holes: ϕ 4.5 mm for screws ISO 1207 - M4, holes: ϕ 2.3 mm for self-tapping screws with locating groove ISO 1481 - ST 2.9 - F/ISO 4753 - SC Screw mount vertically: holes: ϕ 2.3 mm for self-tapping screws with locating groove ISO 1481 - ST 2.9 - F/ISO 4753 - SC Show accessories on page: [03] 22, [03] 23, [03] 24
T 140				CAD i [03] 3...	

					pkg. wt. part no. 250 16 g 26.727.8332.50
					For lamps TC-SEL Snap in foot 10 x 20 mm Housing: PBT cULus file no.: E-92235
					Show accessories on page: [03] 22, [03] 23, [03] 24
T 140					CAD i [03] 3...

Compact Fluorescent Lampholders

2G7 / 2GX7

26.727



pkg.	wt.	part no.
250	19 g	26.727.8501.50 267

For lamps TC-SEL
 Snap in foot 25.5 x 13.3 mm
 Housing: PBT
 cULus file no.: E-92235

Show accessories on page:[03] 22, [03] 23, [03] 24

T 140

18 AWG 0.5 - 1.0 mm ²	18 AWG 0.5 - 1.0 mm ²	0.6 - 1.0	CAD	i
[03] 3...				

pkg.	wt.	part no.
250	13 g	26.727.8334.50 2GX7

For lamps TC-SEL
 Vertical screw mount
 Housing: PBT
 cULus file no.: E-92235

- Holes: \varnothing 2.3 mm for self-tapping screws ISO 1478 - ST 2.9 - F/ISO 4753 - SC

Show accessories on page:[03] 22, [03] 23, [03] 24

18 AWG 0.5 - 1.0 mm ²	18 AWG 0.5 - 1.0 mm ²	CAD	i
[03] 3...			

Compact Fluorescent Lampholders

2G11

26.726



		<table border="0" style="width: 100%;"> <tr> <td>pkg.</td> <td>wt.</td> <td>part no.</td> </tr> <tr> <td>250</td> <td>14 g</td> <td>26.726.4808.50</td> </tr> </table> <p>For lamps TC-L Snap-in foot 25.5 x 13.3 mm Housing: PBT cULus file no.: E-92235</p> <ul style="list-style-type: none"> • For cable insertion direction please refer to drawing <p>Show accessories on page: [03] 49, [03] 50, [03] 51, [03] 52, [03] 53, [03] 54</p>	pkg.	wt.	part no.	250	14 g	26.726.4808.50												
pkg.	wt.	part no.																		
250	14 g	26.726.4808.50																		
<table border="0" style="width: 100%; font-size: small;"> <tr> <td style="width: 10%;">T 140</td> <td style="width: 10%;">U out 500 V</td> <td style="width: 10%;"></td> <td style="width: 10%;"></td> <td style="width: 10%;"></td> <td style="width: 10%;">CAD</td> <td style="width: 10%;">i</td> </tr> <tr> <td></td> <td></td> <td></td> <td>18 AWG 0.5 - 1.0 mm²</td> <td>0.6 - 1.0</td> <td></td> <td>[03] 3...</td> </tr> </table>	T 140	U out 500 V				CAD	i				18 AWG 0.5 - 1.0 mm ²	0.6 - 1.0		[03] 3...						
T 140	U out 500 V				CAD	i														
			18 AWG 0.5 - 1.0 mm ²	0.6 - 1.0		[03] 3...														

		<table border="0" style="width: 100%;"> <tr> <td>pkg.</td> <td>wt.</td> <td>part no.</td> </tr> <tr> <td>250</td> <td>14 g</td> <td>26.726.4807.50</td> </tr> </table> <p>For lamps TC-L Push-in pins Housing: PBT cULus file no.: E-92235</p> <ul style="list-style-type: none"> • Holes: 5.5 mm • Mounting centres: 24 mm • For cable insertion direction please refer to drawing <p>Show accessories on page: [03] 49, [03] 50, [03] 51, [03] 52, [03] 53, [03] 54</p>	pkg.	wt.	part no.	250	14 g	26.726.4807.50												
pkg.	wt.	part no.																		
250	14 g	26.726.4807.50																		
<table border="0" style="width: 100%; font-size: small;"> <tr> <td style="width: 10%;">T 140</td> <td style="width: 10%;">U out 500 V</td> <td style="width: 10%;"></td> <td style="width: 10%;"></td> <td style="width: 10%;"></td> <td style="width: 10%;">CAD</td> <td style="width: 10%;">i</td> </tr> <tr> <td></td> <td></td> <td></td> <td>18 AWG 0.5 - 1.0 mm²</td> <td>0.6 - 1.0</td> <td></td> <td>[03] 3...</td> </tr> </table>	T 140	U out 500 V				CAD	i				18 AWG 0.5 - 1.0 mm ²	0.6 - 1.0		[03] 3...						
T 140	U out 500 V				CAD	i														
			18 AWG 0.5 - 1.0 mm ²	0.6 - 1.0		[03] 3...														

		<table border="0" style="width: 100%;"> <tr> <td>pkg.</td> <td>wt.</td> <td>part no.</td> </tr> <tr> <td>250</td> <td>15 g</td> <td>26.726.4832.50</td> </tr> </table> <p>For lamps TC-L Snap-in foot 25.5 x 13.3 mm Housing: PBT cULus file no.: E-92235</p> <ul style="list-style-type: none"> • Wiring through the snap in foot or from above the mounting plate <p>Show accessories on page: [03] 49, [03] 50, [03] 51, [03] 52, [03] 53, [03] 54</p>	pkg.	wt.	part no.	250	15 g	26.726.4832.50												
pkg.	wt.	part no.																		
250	15 g	26.726.4832.50																		
<table border="0" style="width: 100%; font-size: small;"> <tr> <td style="width: 10%;">T 140</td> <td style="width: 10%;">U out 500 V</td> <td style="width: 10%;"></td> <td style="width: 10%;"></td> <td style="width: 10%;"></td> <td style="width: 10%;">CAD</td> <td style="width: 10%;">i</td> </tr> <tr> <td></td> <td></td> <td></td> <td>18 AWG 0.5 - 1.0 mm²</td> <td>0.6 - 1.0</td> <td></td> <td>[03] 3...</td> </tr> </table>	T 140	U out 500 V				CAD	i				18 AWG 0.5 - 1.0 mm ²	0.6 - 1.0		[03] 3...						
T 140	U out 500 V				CAD	i														
			18 AWG 0.5 - 1.0 mm ²	0.6 - 1.0		[03] 3...														

Compact Fluorescent Lampholders

2G11

26.726



			pkg. wt. part no. 250 14 g 26.726.4803.50
--	--	--	---

For lamps TC-L
 Vertical screw mount
 Screw mounting horizontally
 Housing: PBT
 cULus file no.: E-92235

- Screw mount horizontally holes: \varnothing 4.3 mm for screws ISO 1207 - M4
- Screw mount vertically holes: \varnothing 3.7 mm for screws ISO 1207 - M3 or for self-tapping screws with locating groove ISO 1481 - ST 4.2 - F/ISO 4753 - SC
- For cable insertion direction please refer to drawing
- Instantstart version for USA and Canada: with integrated short circuiting bridge

Show accessories on page:[03] 49, [03] 50, [03] 51, [03] 52, [03] 53, [03] 54

T 140	U out 500 V			CAD	i	[03] 3...
-------	----------------	--	--	-----	---	-----------

			pkg. wt. part no. 250 13 g 26.726.4805.50
--	--	--	---

For lamps TC-L
 Vertical screw mount
 Housing: PBT
 cULus file no.: E-92235

- Holes: \varnothing 3.7 mm: for screws ISO 1207 - M3 or for self-tapping screws with locating groove ISO 1481 - ST 4.2 - F/ISO 4753 - SC
- For cable insertion direction please refer to drawing

Show accessories on page:[03] 49, [03] 50, [03] 51, [03] 52, [03] 53, [03] 54

T 140	U out 500 V			CAD	i	[03] 3...
-------	----------------	--	--	-----	---	-----------

			pkg. wt. part no. 250 14 g 26.726.4840.50
--	--	--	---

For lamps TC-L
 Push-in, end mount
 Housing: PBT
 cULus file no.: E-92235

- For cable insertion direction please refer to drawing

Show accessories on page:[03] 49, [03] 50, [03] 51, [03] 52, [03] 53, [03] 54


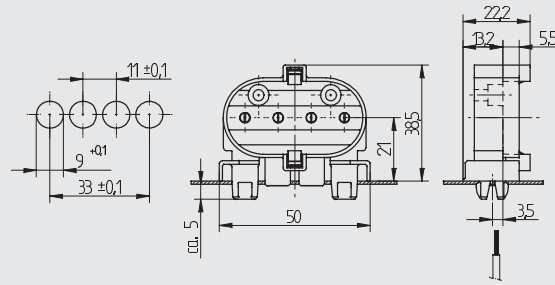
T 140	U out 500 V				CAD	i	[03] 3...
-------	----------------	--	--	--	-----	---	-----------

Compact Fluorescent Lampholders

TG11

26.726




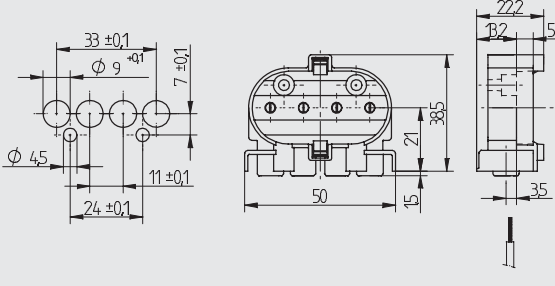
pkg. wt. part no.
250 18 g **26.726.4804.50**

For lamps TC-L
Snap-in pins
Housing: PBT
cULus file no.: E-92235

- For cable insertion direction please refer to drawing

Show accessories on page:[03] 49, [03] 50, [03] 51, [03] 52, [03] 53, [03] 54

T 140	U out 500 V		18 AWG 0.5 - 1.0 mm ²		0.6 - 1.0	CAD	i	[03] 3...
-------	----------------	--	-------------------------------------	--	-----------	-----	---	-----------


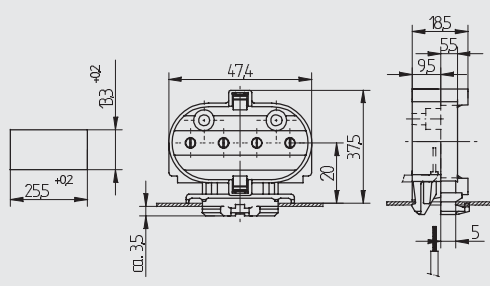
pkg. wt. part no.
250 18 g **26.726.4806.50**

For lamps TC-L
Screw mount
Housing: PBT
cULus file no.: E-92235

- Holes: ø 3.7 mm: for self-tapping screws with locating groove ISO 1481-ST 4.2 x 9.5 DIN 7971 - F / ISO 4753 - SC
- For cable insertion direction please refer to drawing

Show accessories on page:[03] 49, [03] 50, [03] 51, [03] 52, [03] 53, [03] 54

T 140	U out 500 V		18 AWG 0.5 - 1.0 mm ²		0.6 - 1.0	CAD	i	[03] 3...
-------	----------------	--	-------------------------------------	--	-----------	-----	---	-----------

pkg. wt. part no.
250 14 g **26.726.6808.50**

For lamps TC-L
Snap-in foot 25.5 x 13.3 mm
Housing: PBT
cULus file no.: E-92235

- For cable insertion direction please refer to drawing
- Instantstart version for USA and Canada: with integrated short circuiting bridge

Show accessories on page:[03] 49, [03] 50, [03] 51, [03] 52, [03] 53, [03] 54


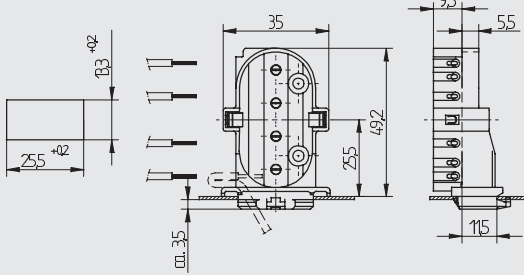
120°C		18 AWG		0.6 - 1.0		660 W 600 V	CAD	i	[03] 3...
-------	--	--------	--	-----------	--	----------------	-----	---	-----------

Compact Fluorescent Lampholders

2G11

26.726










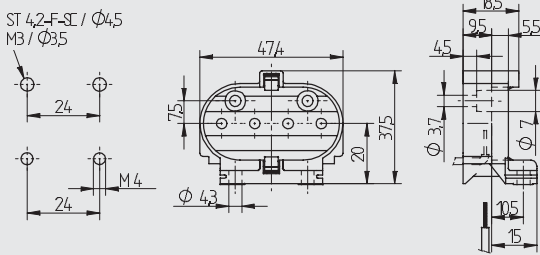
pkg. wt. part no.
250 14 g **26.726.6832.50**

For lamps TC-L
Snap-in foot 25.5 x 13.3 mm
Housing: PBT
cULus file no.: E-92235

- For cable insertion direction please refer to drawing
- Instantstart version for USA and Canada: with integrated short circuiting bridge

Show accessories on page: [03] 49, [03] 50, [03] 51, [03] 52, [03] 53, [03] 54

120°C		18 AWG		0.4 - 1.0		660 W 600 V	CAD	i
[03] 3...								







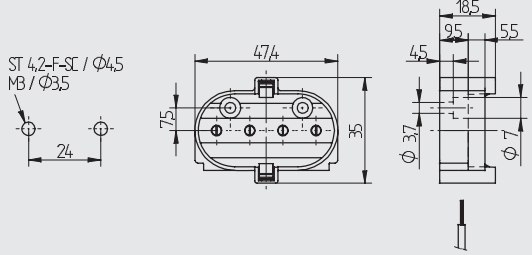
pkg. wt. part no.
250 14 g **26.726.6803.50**

For lamps TC-L
Vertical screw mount
Screw mounting horizontally
Housing: PBT
cULus file no.: E-92235

- Screw mount horizontally holes: \varnothing 4.3 mm for screws ISO 1207 - M4
- Screw mount vertically holes: \varnothing 3.7 mm for screws ISO 1207 - M3 or for self-tapping screws with locating groove ISO 1481 - ST 4.2 - F/ ISO 4753 - SC
- For cable insertion direction please refer to drawing
- Instantstart version for USA and Canada: with integrated short circuiting bridge

Show accessories on page: [03] 49, [03] 50, [03] 51, [03] 52, [03] 53, [03] 54

120°C		18 AWG		INSTANTSTART	660 W 600 V	CAD	i	
[03] 3...								



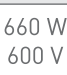



pkg. wt. part no.
250 14 g **26.726.6805.50**

For lamps TC-L
Vertical screw mount
Housing: PBT
cULus file no.: E-92235

- Holes: \varnothing 3.7 mm: for screws ISO 1207 - M3 or for self-tapping screws with locating groove ISO 1481 - ST 4.2 - F/ ISO 4753 - SC
- For cable insertion direction please refer to drawing
- Instantstart version for USA and Canada: with integrated short circuiting bridge

Show accessories on page: [03] 49, [03] 50, [03] 51, [03] 52, [03] 53, [03] 54

120°C		18 AWG			660 W 600 V	CAD	i	
[03] 3...								

Compact Fluorescent Lampholders

26.726 26.746

2G11



pkg. wt. part no.
250 14 g **26.726.6840.50**

For lamps TC-L
Push-in, end mount
Housing: PBT
cULus file no.: E-92235

- For cable insertion direction please refer to drawing
- Instantstart version for USA and Canada: with integrated short circuiting bridge

Show accessories on page: [03] 49, [03] 50, [03] 51, [03] 52, [03] 53, [03] 54

120°C						660 W 600 V	CAD	i	[03] 3...
	18 AWG	0.8	INSTANTSTART						

pkg. wt. part no.
250 18 g **26.746.1002.84**

For lamps TC-L
Snap-in foot 25.5 x 13.3 mm
Housing: PBT
cULus file no.: E-92235

- For cable insertion direction please refer to drawing

Show accessories on page: [03] 49, [03] 50, [03] 51, [03] 52, [03] 53, [03] 54

T 140						CAD	i	[03] 3...
	18 AWG	0.5 - 1.0 mm ²	18 AWG	0.5 - 1.0 mm ²	0.6 - 1.0			

pkg. wt. part no.
250 18 g **26.746.1003.84**

For lamps TC-L
Snap-in foot 25.5 x 13.3 mm
Housing: PBT
cULus file no.: E-92235

- For cable insertion direction please refer to drawing

Show accessories on page: [03] 49, [03] 50, [03] 51, [03] 52, [03] 53, [03] 54

T 140						CAD	i	[03] 3...
	18 AWG	0.5 - 1.0 mm ²	18 AWG	0.5 - 1.0 mm ²	1.0 - 1.5			

Compact Fluorescent Lampholders

2G11

26.746



pkg. wt. part no.
250 17 g **26.746.1001.84**

For lamps TC-L
Snap-in foot 25.5 x 13.3 mm
Housing: PBT
cULus file no.: E-92235

- Wiring through the snap in foot or from above the mounting plate

Show accessories on page:[03] 49, [03] 50, [03] 51, [03] 52, [03] 53, [03] 54

T 140

CAD

i

[03] 3...

pkg. wt. part no.
250 17 g **26.746.1004.84**

For lamps TC-L
Screw mounting horizontally
Housing: PBT
cULus file no.: E-92235

- Holes \varnothing 4.5 mm: for screws ISO 1207 - M4
- Wiring through separate opening in the mounting plate or from above the mounting plate.

Show accessories on page:[03] 49, [03] 50, [03] 51, [03] 52, [03] 53, [03] 54

T 140

CAD

i

[03] 3...

pkg. wt. part no.
250 16 g **26.746.1005.84**

For lamps TC-L
Push-in pins
Housing: PBT
cULus file no.: E-92235

- For cable insertion direction please refer to drawing

Show accessories on page:[03] 49, [03] 50, [03] 51, [03] 52, [03] 53, [03] 54

T 140

CAD

i

[03] 3...

Compact Fluorescent Lampholders

2G11

26.746



pkg. wt. part no.
250 17 g **26.746.1006.84**

For lamps TC-L
Vertical screw mount
Housing: PBT
cULus file no.: E-92235

- Holes \varnothing 4.5 mm: for screws ISO 1207 - M4
- Holes \varnothing 3.2: for self-tapping screws ISO 1481 - ST 2.9 x 9.5 - C
- For cable insertion direction please refer to drawing

Show accessories on page: [03] 49, [03] 50, [03] 51, [03] 52, [03] 53, [03] 54

T 140						CAD	i
		18 AWG	0.5 - 1.0 mm ²	18 AWG	0.5 - 1.0 mm ²		[03] 3...

pkg. wt. part no.
250 18 g **26.746.6001.84**

For lamps TC-L
Snap-in foot 25.5 x 13.3 mm
Housing: PBT
cULus file no.: E-92235

- Wiring through the snap in foot or from above the mounting plate
- Instantstart version for USA and Canada: with integrated short circuiting bridge

Show accessories on page: [03] 49, [03] 50, [03] 51, [03] 52, [03] 53, [03] 54

120°C					660 W	600 V	CAD	i
		18 AWG	0.6 - 1.0	INSTANTSTART				[03] 3...

pkg. wt. part no.
250 18 g **26.746.6002.84**

For lamps TC-L
Snap-in foot 25.5 x 13.3 mm
Housing: PBT
cULus file no.: E-92235

- Instantstart version for USA and Canada: with integrated short circuiting bridge
- For cable insertion direction please refer to drawing

Show accessories on page: [03] 49, [03] 50, [03] 51, [03] 52, [03] 53, [03] 54

120°C					660 W	600 V	CAD	i
		18 AWG	0.6 - 1.0	INSTANTSTART				[03] 3...

Compact Fluorescent Lampholders

2G11

26.746



pkg. wt. part no.
250 18 g **26.746.6003.84**

For lamps TC-L
Snap-in foot 25.5 x 13.3 mm
Housing: PBT
cULus file no.: E-92235

- Instantstart version for USA and Canada: with integrated short circuiting bridge
- For cable insertion direction please refer to drawing

Show accessories on page:[03] 49, [03] 50, [03] 51, [03] 52, [03] 53, [03] 54

120°C		18 AWG		1.0 - 1.5		660 W 600 V	CAD	i	[03] 3...
-------	--	--------	--	-----------	--	----------------	-----	---	-----------

pkg. wt. part no.
250 17 g **26.746.6004.84**

For lamps TC-L
Screw mounting horizontally
Housing: PBT
cULus file no.: E-92235

- Wiring through separate opening in the mounting plate or from above the mounting plate.
- Instantstart version for USA and Canada: with integrated short circuiting bridge

Show accessories on page:[03] 49, [03] 50, [03] 51, [03] 52, [03] 53, [03] 54

120°C		18 AWG		660 W 600 V	CAD	i	[03] 3...
-------	--	--------	--	----------------	-----	---	-----------

pkg. wt. part no.
250 16 g **26.746.6005.84**

For lamps TC-L
Push-in pins
Housing: PBT
cULus file no.: E-92235

- Instantstart version for USA and Canada: with integrated short circuiting bridge
- For cable insertion direction please refer to drawing

Show accessories on page:[03] 49, [03] 50, [03] 51, [03] 52, [03] 53, [03] 54

120°C		18 AWG		0.6 - 1.2		660 W 600 V	CAD	i	[03] 3...
-------	--	--------	--	-----------	--	----------------	-----	---	-----------


Compact Fluorescent Lampholders

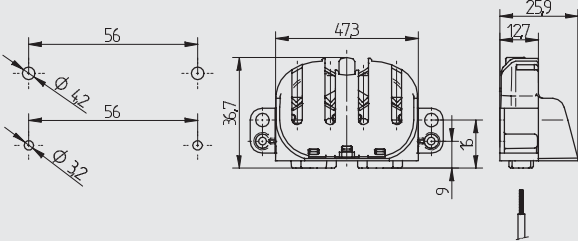
2G11

26.746



			pkg. wt. part no. 250 17 g 26.746.6006.84
--	--	--	---





For lamps TC-L
 Vertical screw mount
 Housing: PBT
 cULus file no.: E-92235

- Holes \varnothing 4.2 mm: for screws ISO 1207 - M4
- Holes \varnothing 3.2: for self-tapping screws ISO 1481 - ST 2.9 x 9.5 - C
- Instantstart version for USA and Canada: with integrated short circuiting bridge
- For cable insertion direction please refer to drawing

Show accessories on page:[03] 49, [03] 50, [03] 51, [03] 52, [03] 53, [03] 54

120°C		18 AWG		660 W 600 V	CAD	i	[03] 3...
-------	--	--------	--	----------------	-----	---	-----------

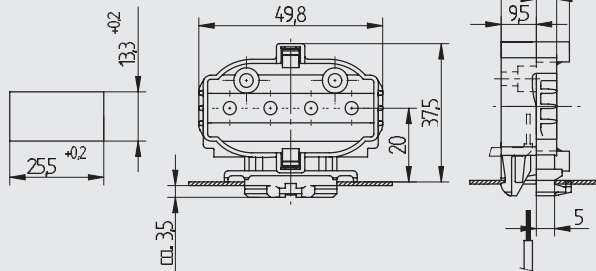
Compact Fluorescent Lampholders

2GX11

26.726



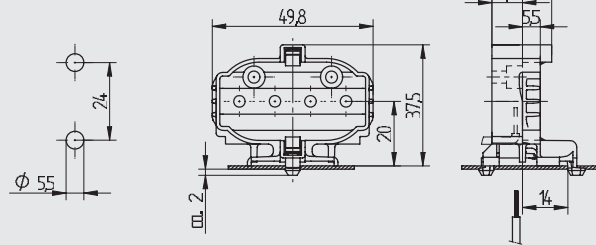
pkg. wt. part no.
250 14 g **26.726.4908.50**



For lamps DULUX L HE
Snap-in foot 25.5 x 13.3 mm
Housing: PBT
cULus file no.: E-92235
• For cable insertion direction please refer to drawing
Show accessories on page:[03] 49, [03] 50, [03] 51, [03] 52, [03] 53, [03] 54

T 140			U out 500 V	CAD	i
		0.5 - 1.0 mm ²	0.6 - 1.0		[03] 3...

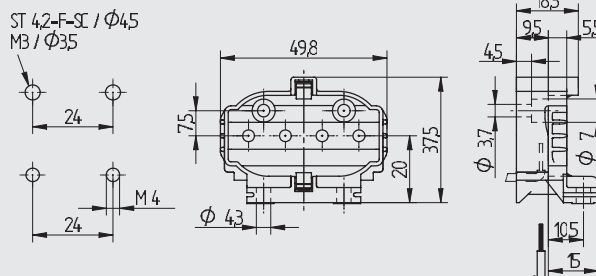
pkg. wt. part no.
250 14 g **26.726.4907.50**



For lamps DULUX L HE
Push-in pins
Housing: PBT
cULus file no.: E-92235
• Holes: 5.5 mm
• Mounting centres: 24 mm
• For cable insertion direction please refer to drawing
Show accessories on page:[03] 49, [03] 50, [03] 51, [03] 52, [03] 53, [03] 54

T 140			U out 500 V	CAD	i
		0.5 - 1.0 mm ²	0.6 - 1.0		[03] 3...

pkg. wt. part no.
250 14 g **26.726.4903.50**



For lamps DULUX L HE
Vertical screw mount
Housing: PBT
cULus file no.: E-92235
• Screw mount horizontally holes: ø 4.3 mm for screws ISO 1207 - M4
• Screw mount vertically holes: ø 3.7 mm for screws ISO 1207 - M3 or for self-tapping screws with locating groove ISO 1481 - ST 4.2 - F/ISO 4753 - SC
• For cable insertion direction please refer to drawing

Show accessories on page:[03] 49, [03] 50, [03] 51, [03] 52, [03] 53, [03] 54

T 140			U out 500 V	CAD	i
		0.5 - 1.0 mm ²			[03] 3...

Compact Fluorescent Lampholders

2GX11

26.726



pkg. wt. part no.
250 12 g **26.726.4905.50**

For lamps DULUX L HE
Vertical screw mount
Housing: PBT
cULus file no.: E-92235

- Holes: ϕ 3.7 mm: for screws ISO 1207 - M3 or for self-tapping screws with locating groove ISO 1481 - ST 4.2 - F/ISO 4753 - SC
- For cable insertion direction please refer to drawing

Show accessories on page: [03] 49, [03] 50, [03] 51, [03] 52, [03] 53, [03] 54

T 140				U out 500 V	CAD	i
		0.5 - 1.0 mm ²				[03] 3...

pkg. wt. part no.
250 14 g **26.726.4940.50**

For lamps DULUX L HE
Push-in, end mount
Housing: PBT
cULus file no.: E-92235

- For cable insertion direction please refer to drawing

Show accessories on page: [03] 49, [03] 50, [03] 51, [03] 52, [03] 53, [03] 54

T 140				U out 500 V	CAD	i
		0.5 - 1.0 mm ²	0.8			[03] 3...

pkg. wt. part no.
250 15 g **26.726.4904.50**

For lamps DULUX L HE
Push-in pins with wiring barrel foot
Housing: PBT
cULus file no.: E-92235

- For cable insertion direction please refer to drawing

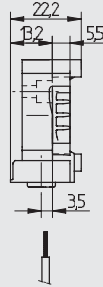
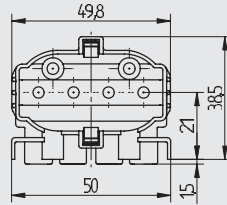
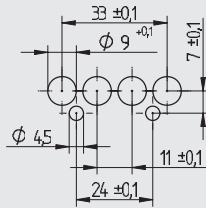
Show accessories on page: [03] 49, [03] 50, [03] 51, [03] 52, [03] 53, [03] 54

T 140				U out 500 V	CAD	i
		0.5 - 1.0 mm ²	0.6 - 1.0			[03] 3...

Compact Fluorescent Lampholders

2GX11

26.726



pkg. wt. part no.
250 15 g **26.726.4906.50**

For lamps DULUX L HE

Screw mount with wiring barrel foot

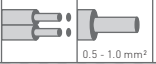
Housing: PBT

cULus file no.: E-92235

- Holes: ϕ 3.7 mm: for self-tapping screws with locating groove ISO 1481-ST 4.2 x 9.5 DIN 7971 - F / ISO 4753 - SC
- For cable insertion direction please refer to drawing

Show accessories on page:[03] 49, [03] 50, [03] 51, [03] 52, [03] 53, [03] 54

T 140



U out
500 V

CAD

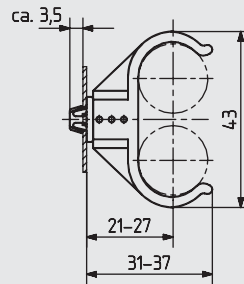
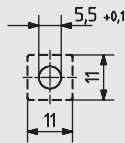
i

[03] 3...

Compact Fluorescent Lampholders

Accessories for TC-L lamps

26.726



pkg. wt. part no.
500 2 g **26.726.U310.50**

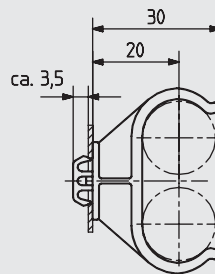
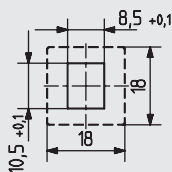
Lamp center: 21 / 24 / 27 mm

Supports for TC-L lamps

Push-in pins 5.5 mm dia.

Support material: PC

- Two pieces, adjustable height,
- Snap in pin: white
- Support: transparent
- Base and support are packed separately.
- Supports ensure a constant gap between lamp and geartray
- For applications with a high light output (reflectors, glass covers, several lamps next to each other), we recommend metal supports, part no. 26.726.U810 / 26.726.U811 / 26.726.U826.
- The position of the lamp support relative to the lampholder acts as a lamp key system in accordance with IEC 60901



pkg. wt. part no.
500 2 g **26.726.-013.50**

Lamp center: 20 mm

Supports for TC-L lamps

Push-in pins 8.5 x 10.5 mm

Support material: PC

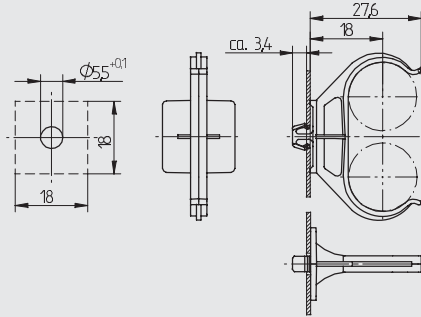
- Supports ensure a constant gap between lamp and geartray
- For applications with a high light output (reflectors, glass covers, several lamps next to each other), we recommend metal supports, part no. 26.726.U810 / 26.726.U811 / 26.726.U826.
- The position of the lamp support relative to the lampholder acts as a lamp key system in accordance with IEC 60901



Compact Fluorescent Lampholders

Accessories for TC-L lamps

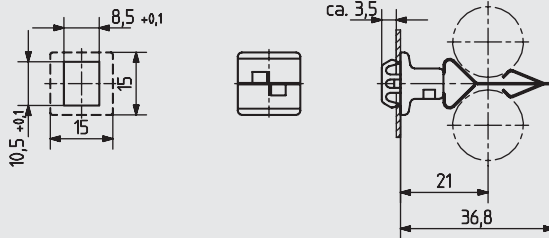
26.726



pkg. wt. part no.
500 2 g **26.726.-320.50**

Lamp center: 18 mm
Supports for TC-L lamps
Push-in pins 5.5 mm dia.
Support material: PC

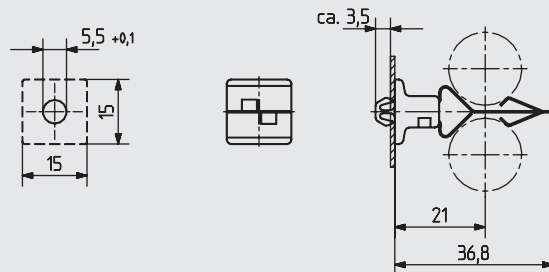
- Supports ensure a constant gap between lamp and geartray
- For applications with a high light output (reflectors, glass covers, several lamps next to each other), we recommend metal supports, part no. 26.726.U810 / 26.726.U811 / 26.726.U826.
- The position of the lamp support relative to the lampholder acts as a lamp key system in accordance with IEC 60901



pkg. wt. part no.
500 3 g **26.726.U810.10**

Supports for TC-L lamps
Push-in pins 8.5 x 10.5 mm
Support material: Metal
Snap in lug: PC

- Supports ensure a parallel spacing between lamp and mounting surface.



pkg. wt. part no.
500 3 g **26.726.U811.10**

Supports for TC-L lamps
Push-in pins 5.5 mm dia.
Support material: Metal
Snap in lug: PC

- Supports ensure a constant gap between lamp and geartray
- The position of the lamp support relative to the lampholder acts as a lamp key system in accordance with IEC 60901



Compact Fluorescent Lampholders

Accessories for TC-L lamps

26.726



		pkg. wt. part no.	
		500 1 g 26.726.-012.50	
			<p>Supports for TC-L lamps Push-in pins 8.5 x 10.5 mm Support material: PC</p> <ul style="list-style-type: none"> • Supports ensure a constant gap between lamp and geartray • For applications with a high light output (reflectors, glass covers, several lamps next to each other), we recommend metal supports, part no. 26.726.U810 / 26.726.U811 / 26.726.U826. • The position of the lamp support relative to the lampholder acts as a lamp key system in accordance with IEC 60901

		pkg. wt. part no.	
		500 2 g 26.726.-811.85	
			<p>Supports for TC-L lamps Push-in pins 5.5 mm dia. Support material: PC</p> <ul style="list-style-type: none"> • Supports ensure a constant gap between lamp and geartray • For applications with a high light output (reflectors, glass covers, several lamps next to each other), we recommend metal supports, part no. 26.726.U810 / 26.726.U811 / 26.726.U826. • The position of the lamp support relative to the lampholder acts as a lamp key system in accordance with IEC 60901

		pkg. wt. part no.	
		500 2 g 26.726.-812.85	
			<p>Supports for TC-L lamps Push-in pins 5.5 mm dia. Support material: PC</p> <ul style="list-style-type: none"> • Supports ensure a constant gap between lamp and geartray • For applications with a high light output (reflectors, glass covers, several lamps next to each other), we recommend metal supports, part no. 26.726.U810 / 26.726.U811 / 26.726.U826. • The position of the lamp support relative to the lampholder acts as a lamp key system in accordance with IEC 60901

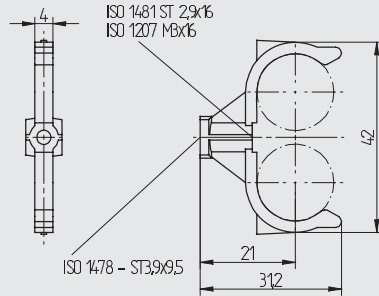
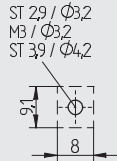
Compact Fluorescent Lampholders

Accessories for TC-L lamps

26.726



pkg.	wt.	part no.
250	2 g	26.726.-813.85



Supports for TC-L lamps

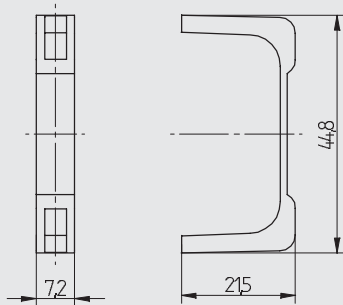
Screw mount

Support material: PC

- Screw mount from above for self-tapping screws ISO 1481 - St 2.9 x 16 or screws ISO 1207 M3 x 16
- Screw mount from below for self-tapping screws with thread ISO 1478 St 3.9 x 9.5
- Supports ensure a constant gap between lamp and geartray
- For applications with a high light output (reflectors, glass covers, several lamps next to each other), we recommend metal supports, part no. 26.726.U810 / 26.726.U811 / 26.726.U826.
- The position of the lamp support relative to the lampholder acts as a lamp key system in accordance with IEC 60901

CAD **i**
(03) 3...

pkg.	wt.	part no.
500	1 g	26.726.-810.85



Supports for TC-L lamps

Support material: PC


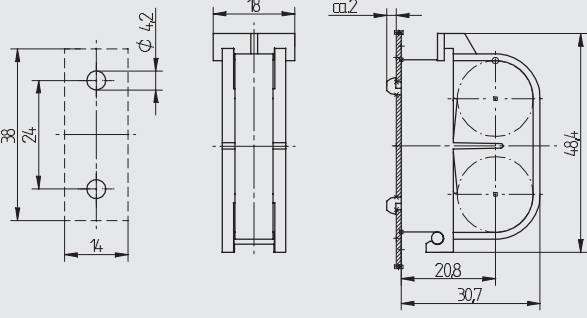
- Safety bracket can be pushed over lamp and support for transport.
- Suitable for supports 26.726.-811, 26.726.-812 and 26.726.-813.

CAD **i**
(03) 3...

Compact Fluorescent Lampholders

Accessories for TC-L lamps


26.726

pkg.	wt.	part no.
250	2 g	26.726.U801.85


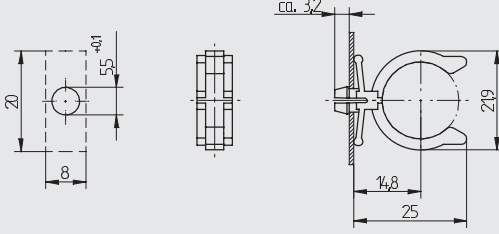
Supports for TC-L lamps
Push-in pins 4.2 mm dia.
Support material: PC

- With tiltable safety bracket
- Supports ensure a constant gap between lamp and geartray
- For applications with a high light output (reflectors, glass covers, several lamps next to each other), we recommend metal supports, part no. 26.726.U810 / 26.726.U811 / 26.726.U826.
- The position of the lamp support relative to the lampholder acts as a lamp key system in accordance with IEC 60901



CAD **i**

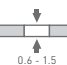
[03] 3...

pkg.	wt.	part no.
250	5 g	26.726.-821.85


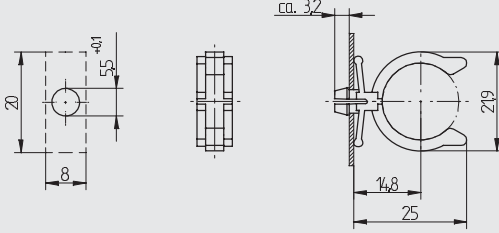
Supports for TC-L lamps
Push-in pins 5.5 mm dia.
Support material: PC

- Supports ensure a constant gap between lamp and geartray
- For applications with a high light output (reflectors, glass covers, several lamps next to each other), we recommend metal supports, part no. 26.726.U810 / 26.726.U811 / 26.726.U826.
- The position of the lamp support relative to the lampholder acts as a lamp key system in accordance with IEC 60901



CAD **i**

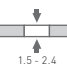
[03] 3...

pkg.	wt.	part no.
250	2 g	26.726.-822.85

Supports for TC-L lamps
Push-in pins 5.5 mm dia.
Support material: PC

- Supports ensure a constant gap between lamp and geartray
- For applications with a high light output (reflectors, glass covers, several lamps next to each other), we recommend metal supports, part no. 26.726.U810 / 26.726.U811 / 26.726.U826.
- The position of the lamp support relative to the lampholder acts as a lamp key system in accordance with IEC 60901



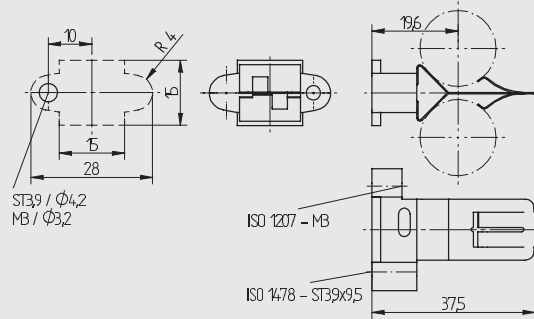
CAD **i**

[03] 3...

Compact Fluorescent Lampholders

Accessories for TC-L lamps

26.726



pkg. wt. part no.
500 4 g **26.726.U826.10**

Supports for TC-L lamps

Screw mount

Support material: Metal

Snap in lug: PC

- For self-tapping screws ISO 1478 -ST 3.9 x 9.5 or screws ISO 1207 - M3
- Supports ensure a constant gap between lamp and geartray
- The position of the lamp support relative to the lampholder acts as a lamp key system in accordance with IEC 60901

CAD

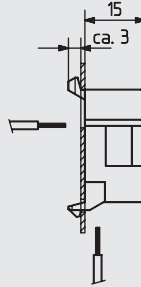
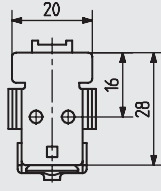
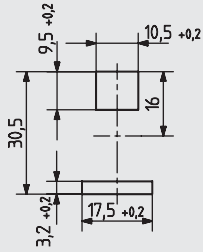
i

[03] 3...

Compact Fluorescent Lampholders

26.716

GR8



pkg. wt. part no.
500 7 g **26.716.4700.50**

For lamps TC-DD
Push-in pins
Housing: PC
cULus file no.: E-92235
• For cable insertion direction please refer to drawing

T 110



CAD i

[03] 3...

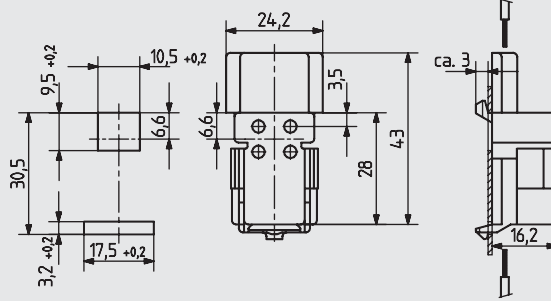
Compact Fluorescent Lampholders

26.715 26.735

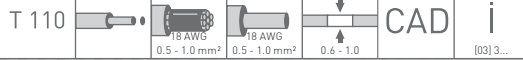
GR10q



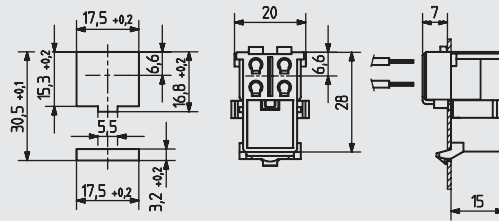
pkg. wt. part no.
500 9 g **26.715.4701.50**



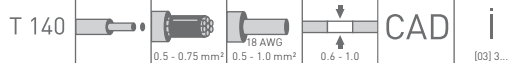
For lamps TC-DD
Push-in pins
Housing: PC
cULus file no.: E-92235
• Wiring only from above the mounting plate



pkg. wt. part no.
500 7 g **26.735.1003.50**



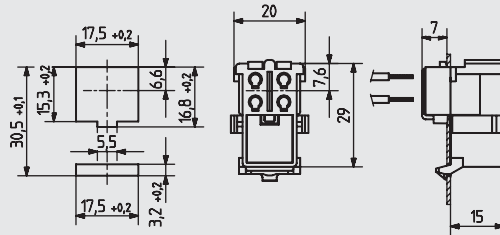
For lamps TC-DD
Push-in pins
Housing: PBT
cULus file no.: E-92235
• For wiring from below the mounting plate



Compact Fluorescent Lampholders

GRY10q-3

26.735



pkg. wt. part no.
500 7 g **26.735.1002.50**

For lamps TC-DD
Push-in pins
Housing: PBT
cULus file no.: E-92235
• For wiring from below the mounting plate

T 140



18 AWG
0.5 - 1.0 mm²



18 AWG
0.5 - 1.0 mm²



0.6 - 1.0

CAD

i


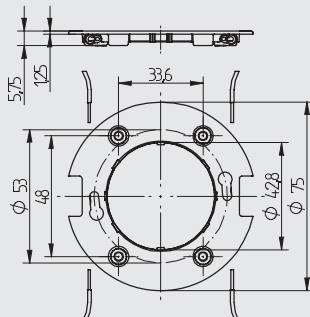
[03] 3...

Compact Fluorescent Lampholders

26.750

GX53






pkg. wt. part no.
100 8 g **26.750.1003.50**

Screw mount
Housing: PC
cULus file no.: E-92235

- For cheese head screws ISO 1207 - M3


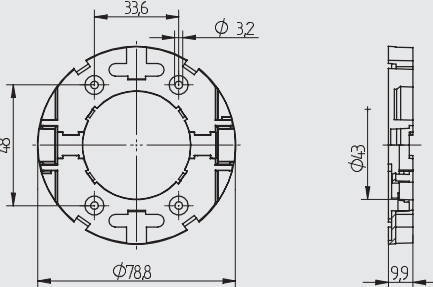
Show accessories on page:[03] 58

T 100

CAD i

[03] 3...

pkg. wt. part no.
100 10 g **26.750.-803.80**

Screw mount
Housing: PC


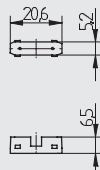
- For cheese head screws ISO 1207 - M3

Show accessories on page:[03] 58

CAD

i

[03] 3...

pkg. wt. part no.
100 1 g **26.750.-805.80**

Cable clamp
Snap-in mounting
Material: PC

CAD

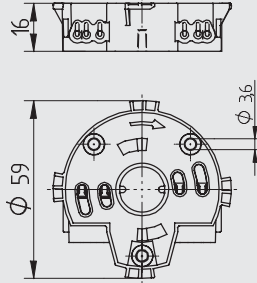
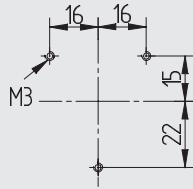
i

[03] 3...

Compact Fluorescent Lampholders

26.734

2G8-1



pkg. wt. part no.
250 21 g **26.734.1002.50**

Screw mount
Housing: PBT
cULus file no.: E-92235

- Secure lamp retention due to stable bayonet catch
- Compact light fitting made possible by flat construction type
- Simple lamp replacement through innovative insertion guide

T 140



18 AWG
0.5 - 1.0 mm²

CAD

i

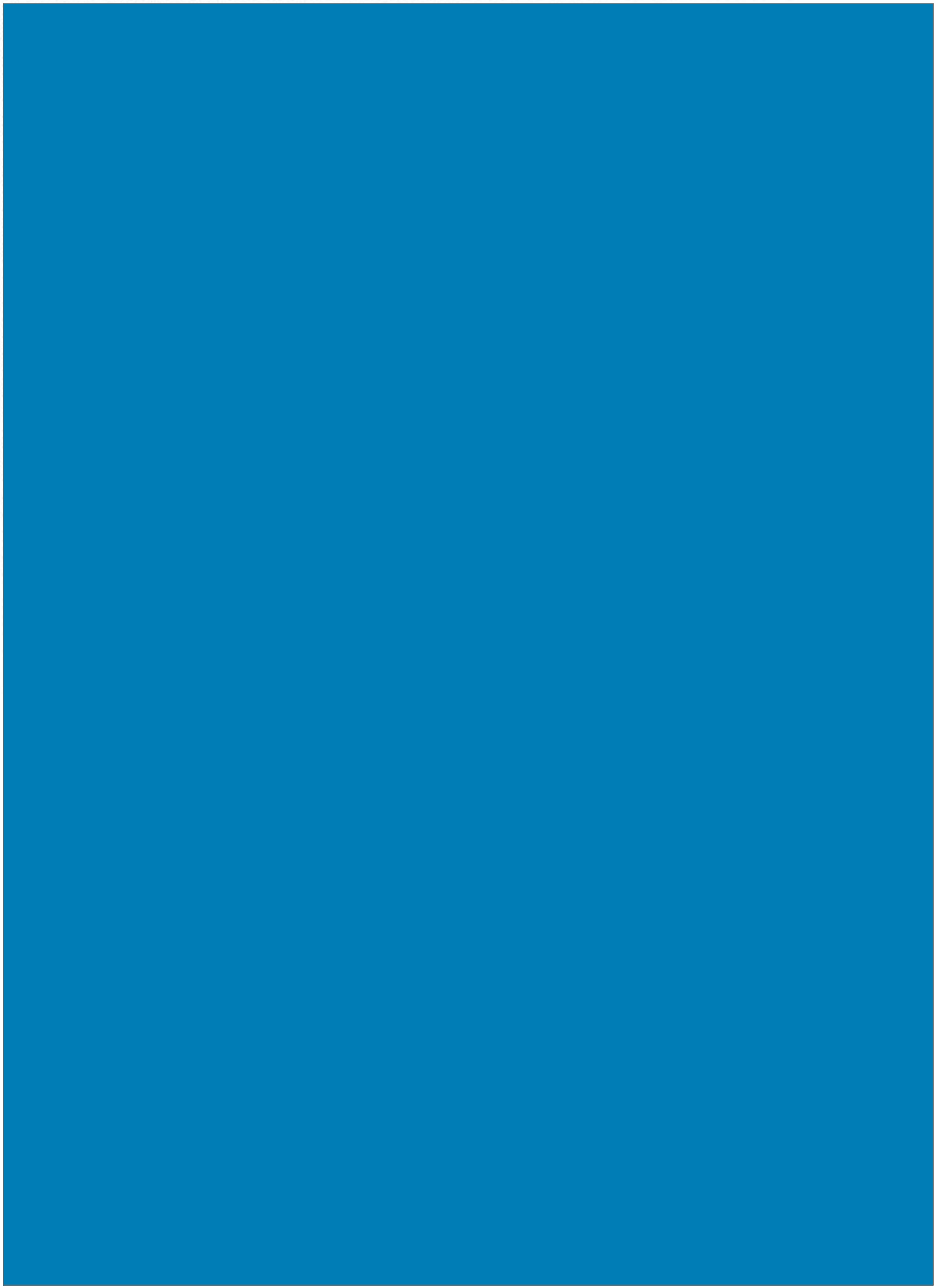
[03] 3...



HID Lampholders



Your Connection to Light



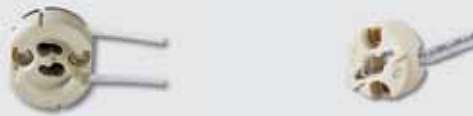
HID Lampholders

Table of Contents



G12
 · 25.701
 · 25.731
 · 25.809

[04] 9
 [04] 9, 10
 [04] 10



GU6.5
 · 25.705

PGJ5
 · 25.704

[04] 11-13
 [04] 14



PGZ12
 · 25.703

PGZ18
 · 25.715

G8.5
 · 25.722
 · 25.724 / 25.725
 · 25.822

[04] 15
 [04] 16
 [04] 17
 [04] 18
 [04] 17



GX8.5
 · 25.836

GX10
 · 25.835

[04] 19, 20
 [04] 21



PG12-1
 · 25.810

PG12-2
 · 25.810

PGX12-2
 · 25.810

[04] 22
 [04] 22
 [04] 22



RX7s
 · 25.806
 · 25.808

Accessories for RX7s
 · 25.808

[04] 24, 25
 [04] 23, 24
 [04] 26

HID Lampholders

Table of Contents



E26
· 29.311

[04] 27



E39
· 29.409

[04] 28



EX39
· 29.415

[04] 29

HID Lampholders

General Information



All articles in this chapter have been designed according to UL and/or CSA, or to the appropriate national and international standards (VDE / IEC). The choice of product and correct technical application is the sole responsibility of the user. Standard dimensions for base and lampholders are contained in IEC 60061, in so far as available. Our declarations about the lampholders correspond to IEC 60838 standard. Different terms are also defined therein (i.e. lampholder / connecting elements etc). Exact information can be obtained on request. We reserve the right to modify products without notice. Through our work with the relevant national standardization committees, we ensure our lampholders are developed and tested to the latest available specifications. When incorporating the lampholders into luminaire designs, contact protection as well as creepage and clearance distance to live parts must be considered. Regulations in respect of ignition voltages are also to be observed. Technical information for HID lampholders: Wires and tab terminations must be suitable for the conditions of the intended application. RX7s lampholder bodies must be secured by fasteners (i.e. screw install) to ensure the correct distance between contacts. Please also note the general information at the end of this catalog and the directions for use.

Explanation of the symbols shown on the product pages

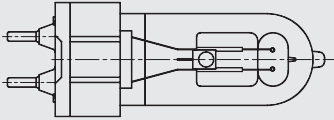
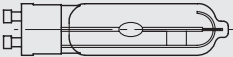
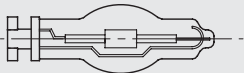
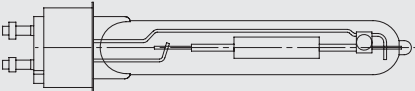
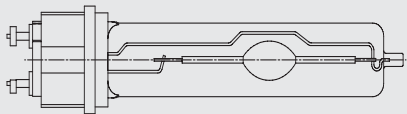
	<p>Temperature rating T180 (Continuous use) Declaration of the rated temperature (when > 80°C). This is the maximum operating temperature for which the lampholder is designed. The measuring point of the temperature is at the contact of the lampholder. When the thermal resistance for the insulating parts, terminals and cables deviate from this temperature, then separate values are given.</p>		<p>For solid conductors within the cross sectional range stated (In this example 0,5 - 1,0 mm²) When regulations deviate from IEC, other cross sections are possible (i.e. UL / CSA: cable 18 AWG).</p>
	<p>Temperature rating / Temperature index according to UL</p>		<p>Rating Indication of rated values. For approval cULus (USA).</p>
	<p>Single push wire terminals</p>		<p>Rating Indication of rated values.</p>
	<p>Screw terminals With indication of the maximum diameter</p>		<p>Mounting material thickness Indication in mm (In this example 0.8 - 1.0 mm)</p>
	<p>For tinned wire ends within the cross sectional range stated (In this example 0.5 - 1.0 mm²) When regulations deviate from IEC, other cross sections are possible (i.e. UL / CSA: cable 18 AWG).</p>		<p>Starting voltage (In this example 5 kV / pulse)</p>
	<p>For wire ends with ferrule to the maximum diameter stated (In this example max. ø 1.8 mm) The wire and termination used must be compatible in respect of: Diameter and length of the ferrule, strip length of insulation. For further information see DIN 46228, part 3, size 1 - 7 Material and surface of ferrules have to correspond to the relevant application. For temperatures > 200°C we recommend ferrules of steel, nickel plated.</p>		<p>CAD-Data files in 2D or 3D format available</p>
			<p>Additional Information Further information about the products shown on this page can be found on the pages shown within this symbol.</p>

HID Lampholders

Technical Information



The information and values stated here are for quick reference only. For specific information please contact the relevant lamp manufacturer.

	Wattage - W -	Lamp Base/ Standard	Lampholder/ Standard	Lampholders see page
G12 	35 70 150 250	G12 IEC 60061-1 7004-63	G12 IEC 60061-2 7005-63	[04] 9, 10
GU6.5 	20 35	GU6.5 IEC 60061-1 7004-21	GU6.5 IEC 60061-2 7005-20	[04] 11-13
PGJ5 	20 35	PGJ5 IEC 60061-1 7004-24	PGJ5 IEC 60061-2 7005-20	[04] 14
PGZ12 	45 60 90 140	PGZ12 IEC 60061-1 7004-21A	PGZ12 IEC 60061-2 7005-20	[04] 15
PGZ18 	210 315	PGZ18 IEC 60061-1 7004-163-1	PGZ18 IEC 60061-2 7005-163-1	[04] 16

HID Lampholders

Technical Information



The information and values stated here are for quick reference only. For specific information please contact the relevant lamp manufacturer.

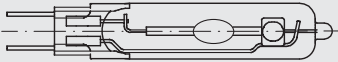
Wattage
- W -

Lamp base/
standard

Lampholder/
standard

Lampholders
see page

G8.5



20
35
70

G8.5

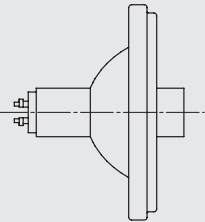
IEC
60061-1
7004-122

G8.5

IEC
60061-2
7004-122

[04] 17, 18

GX8.5



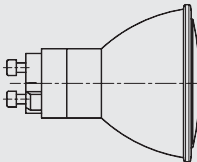
38
70

GX8.5

GX8.5

[04] 19, 20

GX10



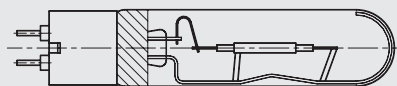
35

GX10

GX10

[04] 21

PG12-1
PG12-2



PG 12-1



PG 12-2



35
50
100

PG12-1

IEC
60061-1
7004-64

PG12-1

IEC
60061-2
7005-64

[04] 22

75

PG12-2

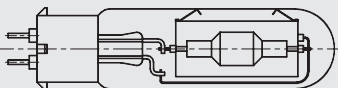
IEC
60061-1
7004-64

PG12-2

IEC
60061-2
7005-64

[04] 22

PGX12-2



PGX 12-2



150

PGX12-2

IEC
60061-1
7004-64

PGX12-2

IEC
60061-2
7005-64

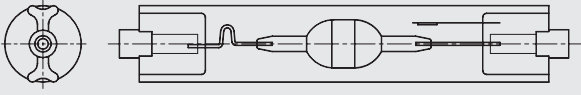
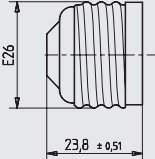
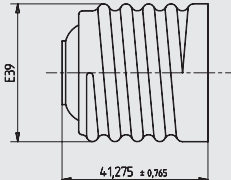
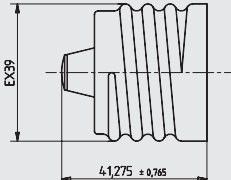
[04] 22

HID Lampholders

Technical Information



The information and values stated here are for quick reference only. For specific information please contact the relevant lamp manufacturer.

	Wattage - W -	Lamp base/ standard	Lampholder/ standard	Lampholders see page
<p>RX7s</p> 	70 (114.2 mm)	<p>RX7s</p> <p>IEC 60061-1 7004-92A</p>	<p>RX7s</p> <p>IEC 60061-2 7005-92A 7005-53 7005-53A</p>	[04] 23-25
<p>E26</p> 		<p>E26</p> <p>IEC 60061-1 7004-21A</p>	<p>E26</p> <p>IEC 60061-2 7005-20</p>	[04] 27
<p>E39</p> 		<p>E39</p> <p>IEC 60061-1 7004-24A</p>	<p>E39</p> <p>IEC 60061-2 7005-24A</p>	[04] 28
<p>EX39</p> 		<p>EX39</p> <p>ANSI C81.61 Sheet 1-210-1</p>	<p>EX39</p> <p>ANSI C81.62 Sheet1-210-1</p>	[04] 29

HID Lampholders

25.731 25.701

G12



pkg. wt. part no.
216 32 g **25.731.6001.00**

For Metal Halide Lamps
Screw mount
Housing: Ceramic / Mekanite
Connection: Push wire contacts

- Maximum permissible diameter of the insulation 4.2 mm
- We recommend screws M4 DIN EN ISO 7045

T 250

4 A
250 V

6 kV/pulse

CAD

i

[04] 3...

pkg. wt. part no.
216 38 g **25.701.1000.00**

For Metal Halide Lamps
Screw mount
Housing: Ceramic / PPS
Connection: without cable, single pushwire terminals
cURus file no.: E-93328

- Maximum permissible diameter of the insulation 4.2 mm
- Please consult us if mounting at rear with M3 rivet.

T 250

4 A
250 V

6 kV/pulse

CAD

i

[04] 3...

pkg. wt. part no.
144 48 g **25.701.6401.00**

For Metal Halide Lamps
Screw mount
Housing: Ceramic
Contacts: CrNi
Connection: with leads attached
Wires: 18 AWG, Termination: 10 mm cut, not stripped, Lead length: 240 mm (9")
cULus file no.: E-93328

200°C

4 A
250 V

6 kV/pulse

CAD

i

[04] 3...

HID Lampholders

25.701 25.809

G12



pkg. wt. part no.
144 55 g **25.701.6001.00**

For Metal Halide Lamps
Screw mount
Housing: Ceramic / PPS
Contacts: CrNi
Connection: with leads attached
Wires: 18 AWG, Termination: 10 mm cut, not stripped, Lead length: 320 mm (12")
cURus file no.: E-93328

- To prevent the risk of discharge to earth high temperature oversleeves should be used.
- Please consult us if mounting at rear with M3 rivet.

200°C

660 W
600 V

5 kV/pulse

CAD

i

[04] 3...

pkg. wt. part no.
125 60 g **25.701.6002.00**

For Metal Halide Lamps
Screw mount
Housing: Ceramic / PPS
Contacts: CrNi
Wires: 18 AWG, Termination: 10 mm cut, not stripped, Lead length: 460 mm (18")
cURus file no.: E-93328

- Continuous operating temperature: T250 for the contact
- Rating: 250° C / 600 V
- Voltage overload capacity category III

200°C

660 W
600 V

5 kV/pulse

CAD

i

[04] 3...

pkg. wt. part no.
216 38 g **25.809.3800.00**

For Metal Halide Lamps
Screw mount
Housing: Ceramic / PPS
Contacts: CuSn, nickel-plated
Connection: without cable, single pushwire terminals
cURus file no.: E-93328

- Maximum permissible diameter of the insulation for cable 1: 2.3 mm
- Maximum permissible diameter of the insulation for cable 2: 4.2 mm
- The requirements on light fittings of protection class II can be complied with through corresponding embodiment into metal components, without the use of additional insulating material
- Please consult us by mounting at rear with M3 rivet.

T 180

18 AWG
0.5 - 1.0 mm²

2 A
1000 V

6 kV/pulse

CAD

i


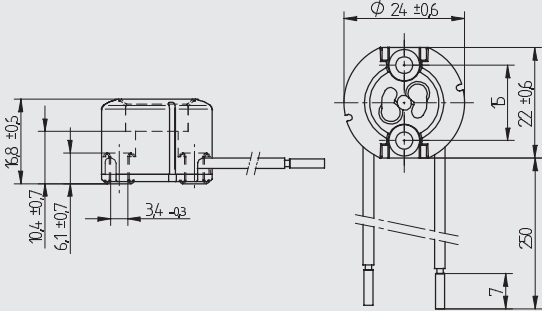

[04] 3...


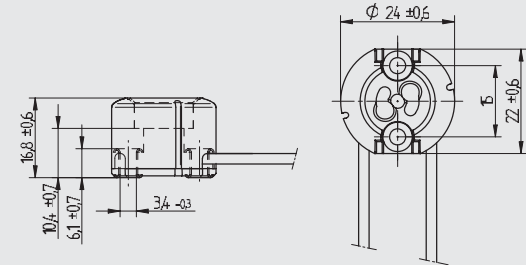

HID Lampholders


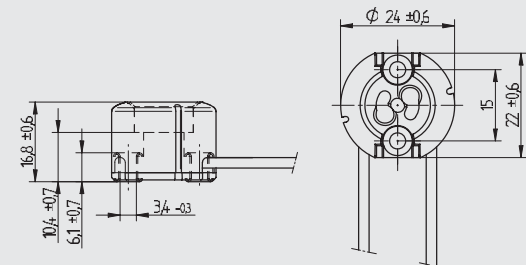

GU6.5

25.705



		pkg. wt. part no.
		200 28 g 25.705.6001.00
<p>Screw mount Housing: Ceramic / PPS Wires: 2 wires attached, PTFE, 18 AWG, 600 V, 250°C, white, Lead length: 620 mm (24") cULus file no.: E-93328</p> <ul style="list-style-type: none"> To prevent the risk of discharge to earth high temperature oversleeves should be used. Please consult us if mounting at rear with M3 rivet. 		
200°C	2 A 600 V	 4 kV/pulse
CAD	i	[04]3...

		pkg. wt. part no.
		250 51 g 25.705.6002.00
<p>Screw mount Housing: Ceramic / PPS Wires: 2 wires attached, PTFE, 18 AWG, 600 V, 250°C, white, with ferrule, Lead length: 1400 mm (55") cULus file no.: E-93328</p> <ul style="list-style-type: none"> To prevent the risk of discharge to earth high temperature oversleeves should be used. Please consult us if mounting at rear with M3 rivet. 		
200°C	2 A 600 V	 4 kV/pulse
CAD	i	[04]3...

		pkg. wt. part no.
		200 18 g 25.705.6003.00
<p>Screw mount Housing: Ceramic / PPS Wires: 2 wires attached, PTFE, 18 AWG, 600 V, 250°C, white, Lead length: 155 mm (6") cULus file no.: E-93328</p> <ul style="list-style-type: none"> To prevent the risk of discharge to earth high temperature oversleeves should be used. Please consult us if mounting at rear with M3 rivet. 		
200°C	2 A 600 V	 4 kV/pulse
CAD	i	[04]3...

HID Lampholders

GU6.5

25.705



		pkg. wt. part no. 200 23 g 25.705.6004.00
		Screw mount Housing: Ceramic / PPS Wires: 2 wires attached, PTFE, 18 AWG, 600 V, 250°C, white, Lead length: 305 mm (12") cULus file no.: E-93328
<ul style="list-style-type: none"> • To prevent the risk of discharge to earth high temperature oversleeves should be used. • Please consult us if mounting at rear with M3 rivet. 		
200°C 2 A 600 V		CAD i [04] 3...

		pkg. wt. part no. 200 26 g 25.705.6005.00
		Screw mount Housing: Ceramic / PPS Wires: 2 wires attached, PTFE, 18 AWG, 600 V, 250°C, white, Lead length: 465 mm (18") cULus file no.: E-93328
<ul style="list-style-type: none"> • To prevent the risk of discharge to earth high temperature oversleeves should be used. • Please consult us if mounting at rear with M3 rivet. 		
200°C 2 A 600 V		CAD i [04] 3...

		pkg. wt. part no. 200 16 g 25.705.6006.00
		Screw mount Housing: Ceramic / PPS Wires: 2 wires attached, PTFE, 18 AWG, 600 V, 250°C, white, with tinned wire ends, Lead length: 100 mm (4") cULus file no.: E-93328
<ul style="list-style-type: none"> • To prevent the risk of discharge to earth high temperature oversleeves should be used. • Please consult us if mounting at rear with M3 rivet. 		
200°C 2 A 600 V		CAD i [04] 3...

HID Lampholders

GU6.5

25.705



		pkg. wt. part no. 200 20 g 25.705.6007.00
--	--	---

Screw mount
 Housing: Ceramic / PPS
 Wires: 2 wires attached, PTFE, 18 AWG, 600 V, 250°C, white, with ferrule, Lead length: 250 mm (10")
 cULus file no.: E-93328

- To prevent the risk of discharge to earth high temperature oversleeves should be used.
- Please consult us if mounting at rear with M3 rivet.

200°C	2 A 600 V		CAD i
[04]3...			

		pkg. wt. part no. 200 17 g 25.705.6008.00
--	--	---

Screw mount
 Housing: Ceramic / PPS
 Wires: 2 wires attached, PTFE, 18 AWG, 600 V, 250°C, white, with ferrule, Lead length: 120 mm (4")
 cULus file no.: E-93328

- To prevent the risk of discharge to earth high temperature oversleeves should be used.
- Please consult us if mounting at rear with M3 rivet.

200°C	2 A 600 V		CAD i
[04]3...			

		pkg. wt. part no. 200 31 g 25.705.6009.00
--	--	---

Screw mount
 Housing: Ceramic / PPS
 Wires: 2 wires attached, PTFE, 18 AWG, 600 V, 250°C, white, Lead length: 765 mm (30")
 cULus file no.: E-93328

- To prevent the risk of discharge to earth high temperature oversleeves should be used.
- Please consult us if mounting at rear with M3 rivet.

200°C	2 A 600 V		CAD i
[04]3...			

HID Lampholders

PGJ5

25.704



pkg.	wt.	part no.
500	8 g	25.704.6201.00

For Philips Mini Master Colour CDM-TM
Screw mount
Housing: Ceramic / Mica plate
Wires: 2 wires attached, PTFE, 18 AWG, 600 V, 250°C, white, Lead length: 230 mm (9")
cURus file no.: E-93328

- To prevent the risk of discharge to earth high temperature oversleeves should be used.
- Please consult us if mounting at rear with M3 rivet.

T250

660 W
600 V

2,5 kV / pulse

CAD

i

[04] 3...

pkg.	wt.	part no.
500	9 g	25.704.6202.00

For Philips Mini Master Colour CDM-TM
Screw mount
Housing: Ceramic / Mica plate
Wires: 2 wires attached, PTFE, 18 AWG, 600 V, 250°C, white, Lead length: 150 mm (6")
cURus file no.: E-93328

- To prevent the risk of discharge to earth high temperature oversleeves should be used.
- Please consult us if mounting at rear with M3 rivet.

T250

660 W
600 V

2,5 kV / pulse

CAD

i

[04] 3...

pkg.	wt.	part no.
500	16 g	25.704.6203.00

For Philips Mini Master Colour CDM-TM
Screw mount
Housing: Ceramic / Mica plate
Wires: 2 wires attached, PTFE, 18 AWG, 600 V, 250°C, white, Lead length: 305 mm (12")
cURus file no.: E-93328

- To prevent the risk of discharge to earth high temperature oversleeves should be used.
- Please consult us if mounting at rear with M3 rivet.

T250

660 W
600 V

2,5 kV / pulse

CAD

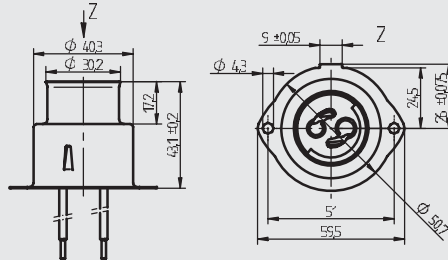
i

[04] 3...

HID Lampholders

PGZ12

25.703



pkg. wt. part no.
60 90 g **25.703.6001.10**

For discharge lamp CosmoPolis from Philips

Screw mount

Housing: Ceramic / CrNi

Wires: 2 wires attached, PTFE, 18 AWG, 600 V, 250°C, white,
Lead length: 620 mm (24")

cULus file no.: E-93328

- The method of wiring must be such that no stress or bending motions will be transferred to the contacts, thus reducing the contact / pressure on the lamp pins.
- Free movement of the spring loaded interior and cables must also be observed.

T250

660 W
600 V



5 kV/pulse

CAD


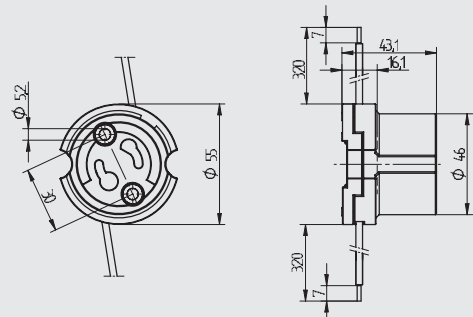
i

[04] 3...

HID Lampholders


PGZ18


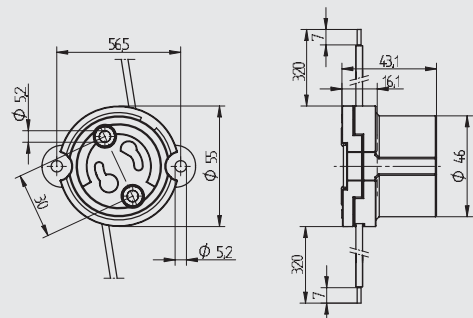
25.715

pkg.	wt.	part no.
60	105 g	25.715.6001.00


Screw mount
 Housing: Ceramic
 Wires: With 2 ignition cables inserted, PTFE, 18 AWG, 600V, 250°C, Free cable length: 620 mm
 • To prevent the risk of discharge to earth high temperature oversleeves should be used.

T 250	660 W 600 V	3 A 250 V	 5 kV/pulse	CAD	i
					[04] 3...

pkg.	wt.	part no.
60	105 g	25.715.6201.00

Screw fixing with fixing plate
 Housing: Ceramic
 Wires: With 2 ignition cables inserted, PTFE, 18 AWG, 600V, 250°C, Free cable length: 620 mm
 • To prevent the risk of discharge to earth high temperature oversleeves should be used.

T 250	660 W 600 V	3 A 250 V	 5 kV/pulse	CAD	i
					[04] 3...

HID Lampholders

25.722 25.822

G8.5



pkg. wt. part no.
216 26 g **25.722.1001.00**

Screw mount
Housing: Ceramic
Connection: Push wire contacts

- Maximum permissible diameter of the insulation 4.2 mm
- Wires permanently joined after insertion
- For screws dia. 3 mm

T 300

1 A
750 V

CAD

i

[04] 3...

pkg. wt. part no.
252 29 g **25.822.6401.00**

Screw mount
Housing: Ceramic / PPS
Wire leads: 18 AWG stranded, UL 250C, 600V, white
Accepts max. #4 machine screw, Lead length: 152 mm (6")
cURus file no.: E-93328

200°C

1 A
500 V

CAD

i

[04] 3...

pkg. wt. part no.
252 50 g **25.822.6405.00**

Screw mount
Housing: Ceramic / PPS
Wire leads: 18 AWG stranded, UL 250C, 600V, white
Accepts max. #4 machine screw, Lead length: 765 mm (30")
cURus file no.: E-93328

200°C

1 A
500 V

CAD

i

[04] 3...

HID Lampholders

25.724 25.725

G8.5



pkg. wt. part no.
144 20 g **25.724.1000.00**

Screw mount
Housing: Ceramic / Ceramic
Connection: Push wire contacts

- Fixing centres: 14 mm
- For screws: 3mm
- Wires permanently joined after insertion
- Maximum permissible diameter of insulation 4.2 mm

T 300

1 A
250 V

5 kV/pulse

CAD

i

[04] 3...

pkg. wt. part no.
144 24 g **25.725.6001.00**

Screw mount
Housing: Ceramic / Ceramic
Connection: Push wire contacts

Wires: UL18 AWG, Termination: 10 mm cut, not stripped, Lead length: 145 mm

- Other versions on request

T 350

10 A
250 V

5 kV/pulse

CAD

i

[04] 3...

HID Lampholders

GX8.5

25.836



pkg.	wt.	part no.
100	38 g	25.836.1001.00

Connector GX8.5
Connector: Ceramic/PPS
Cover plate: PET

Wires: With 2 ignition cables inserted, Cu, nickel plated, 1.0 mm², with ferrule, Insulation: PTFE (max. 250° C), ø 3.0± 0.3 mm, Lead length: 500 mm (19")

- Safe lamp contact by approved Twist and Lock action
- Continuous operating temperature: T250 - for the contacts 210° C - for the cover plate
- The requirements on light fittings of protection class II can be complied with through corresponding embodiment into metal components without the use of additional insulating material, when cover plate is clipped onto connecting piece.

T250

2 A
250 V

5 kV/pulse

CAD

i

pkg.	wt.	part no.
100	36 g	25.836.2001.00

Connector GX8.5
Connector: Ceramic/PPS
Sleeve: aluminium
Cover plate: PET

Wires: With 2 ignition cables inserted, Cu, nickel plated, 1.0 mm², with ferrule, Insulation: PTFE (max. 250° C), ø 3.0± 0.3 mm, Lead length: 500 mm (19")

- Continuous operating temperature: T250 - for the contacts 210° C - for the cover plate
- Safe lamp contact by approved Twist and Lock action
- Optimised adapting of lamp design achieved by aluminium sleeve
- Connector and lamp form an optical unit
- The requirements on light fittings of protection class II can be complied with through corresponding embodiment into metal components without the use of additional insulating material, when cover plate is clipped onto connecting piece.

T250

2 A
250 V

5 kV/pulse

CAD

i

HID Lampholders

GX8.5

25.836



pkg.	wt.	part no.
100	38 g	25.836.6101.00

Connector GX8.5
 Connector: Ceramic/PPS
 Cover plate: PET
 Wires: 18 AWG, Termination: 10 mm cut, not stripped, Lead length: 620 mm (24")
 cULus file no.: E-93328

- To prevent the risk of discharge to earth high temperature oversleeves should be used.
- Continuous operating temperature: 150° C - for the cover plate
- Safe lamp contact by approved Twist and Lock action

200°C	2 A 600 V	5 kV/pulse	CAD	i
[04] 3...				

pkg.	wt.	part no.
100	36 g	25.836.6201.00

Connector GX8.5
 Connector: Ceramic/PPS
 Sleeve: aluminium
 Cover plate: PET
 Wires: 18 AWG, Termination: 10 mm cut, not stripped, Lead length: 620 mm (24")
 cULus file no.: E-93328

- To prevent the risk of discharge to earth high temperature oversleeves should be used.
- Continuous operating temperature: 150° C - for the cover plate
- Safe lamp contact by approved Twist and Lock action


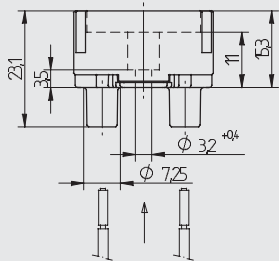
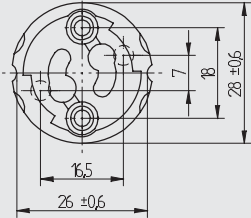
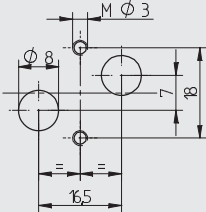
200°C	2 A 600 V	5 kV/pulse	CAD	i
[04] 3...				

HID Lampholders

GX10

25.835



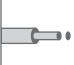






pkg.	wt.	part no.
500	10 g	25.835.1000.00

Screw mount
 Housing: Ceramic / PPS
 Connection: without cable, single pushwire terminals
 cURus file no.: E-93328


- For 2 ignition cables
- The requirements on light fittings of protection class II can be complied with through corresponding embodiment into metal components, without the use of additional insulating material
- Height of screw head max. 1.5 mm (e.g. countersunk screw)
- The correct function is obtained by screw mount.

T 250






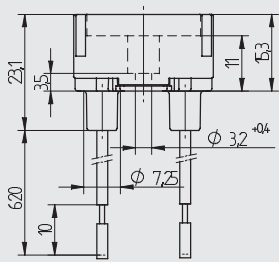
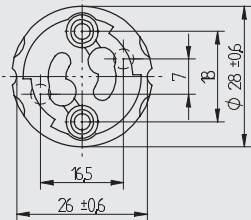
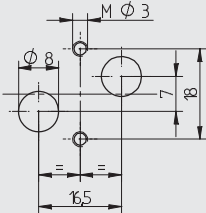
2 A
 250 V



5 kV/pulse

CAD

i


pkg.	wt.	part no.
250	16 g	25.835.6001.00

Screw mount
 Housing: Ceramic / PPS
 Wires: 18 AWG, Termination: 10 mm cut, not stripped, Lead length: 620 mm (24")
 cURus file no.: E-93328

- To prevent the risk of discharge to earth high temperature oversleeves should be used.
- The correct function is obtained by screw mount

200°C

2 A
 600 V



5 kV/pulse

CAD

i

HID Lampholders

PG12-1 / PG12-2 / PGX12-2

25.810



pkg. wt. part no.
250 18 g **25.810.3700.81** PG12-1

For High Pressure Sodium lamps
Snap-in mounting
Screw mount
Housing: PET
Connection: without cable, single pushwire terminals
cURus file no.: E-93328

- Wires permanently joined after insertion
- Maximum permissible diameter of the insulation for cable 1: 3 mm
- Maximum permissible diameter of the insulation for cable 2: 4,2 mm
- Continuous operating temperature: T180 for the contact and T210 for the housing

T 180

18 AWG
0.5 - 1.0 mm²

4 A
1000 V

6 kV/pulse

CAD

i

pkg. wt. part no.
250 18 g **25.810.3800.81** PG12-2

For High Pressure Metal Halide lamps
Snap-in mounting
Screw mount
Housing: PET
Connection: without cable, single pushwire terminals
cURus file no.: E-93328

- Wires permanently joined after insertion
- Maximum permissible diameter of the insulation for cable 1: 3 mm
- Maximum permissible diameter of the insulation for cable 2: 4,2 mm
- Continuous operating temperature: T180 for the contact and T210 for the housing

T 180

18 AWG
0.5 - 1.0 mm²

4 A
1000 V

6 kV/pulse

CAD

i

pkg. wt. part no.
108 63 g **25.810.3900.00** PGX12-2

For Metal Halide Lamps
Screw mount
Housing: Ceramic / PPS
Connection: without cable, single pushwire terminals
cURus file no.: E-93328

- Wires permanently joined after insertion
- Maximum permissible diameter of the insulation for cable 1: 2,3 mm
- Maximum permissible diameter of the insulation for cable 2: 4,2 mm

T 180

18 AWG
0.5 - 1.0 mm²

4 A
1000 V

6 kV/pulse

CAD

i

HID Lampholders

RX7s

25.808



pkg. wt. part no.
250 23 g **25.808.6800.00**

For Metal Halide Lamps
Screw mount
Housing: Ceramic
Contacts: Cu with brazed silver cap
Wires: 18 AWG stranded, UL 250C, 600V, white, Lead length: 300 mm (11")
cURus file no.: E-93328

- When using ignitors, to prevent the risk of discharge to earth, high temperature oversleeves should be used.

Show accessories on page:[04] 25

T 300

660 W
600 V

CAD

i

pkg. wt. part no.
250 27 g **25.808.6201.00**

For Metal Halide Lamps
Screw mount
Housing: Ceramic
Contacts: Cu with brazed silver cap
Connection: Tab terminal 4.8 x 0.8 mm
cURus file no.: E-93328

Show accessories on page:[04] 25

T 300

660 W
600 V

CAD

i

pkg. wt. part no.
250 24 g **25.808.6805.00**

For Metal Halide Lamps
Screw mount
Housing: Ceramic
Wires: 18 AWG stranded, UL 250C, 600V, white
Accepts max. #4 machine screw, Lead length: 400 mm (15")
cURus file no.: E-93328

- When using ignitors, to prevent the risk of discharge to earth, high temperature oversleeves should be used.

Show accessories on page:[04] 25

T 300

660 W
600 V

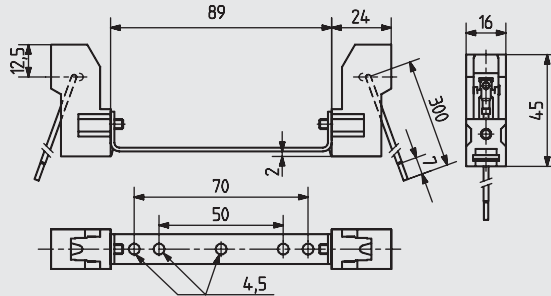
CAD

i

HID Lampholders

RX7s

25.808 25.806



pkg. wt. part no.
125 78 g **25.808.6819.00**

For Metal Halide Lamps

Screw mount

Housing: Ceramic

Wire leads: 18 AWG stranded, UL 250C, 600V, white

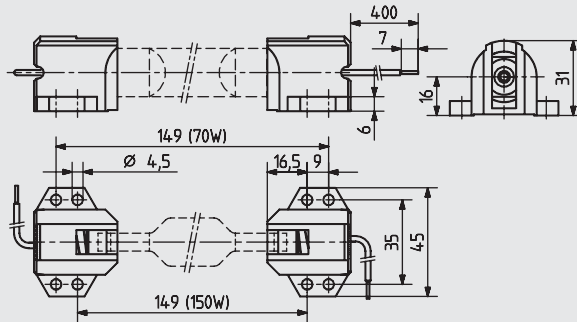
Accepts max. #4 machine screw, Lead length: 230 mm (9")

cURus file no.: E-93328

- To prevent the risk of discharge to earth high temperature oversleeves should be used.
- Lamp contact distance 114.2 mm

T 300 660 W 600 V 5 kV/pulse CAD i [04] 3...

pkg. wt. part no.
36 56 g **25.806.6701.00**



For Metal Halide Lamps

Screw mount

Housing: Ceramic

Contacts: CuZn, silver-plated

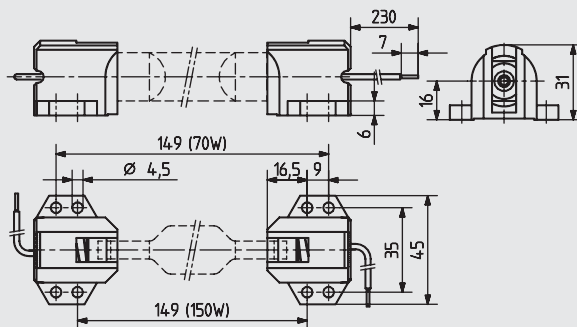
Wires: 18 AWG stranded, UL 250C, 600V, white

Accepts max. #4 machine screw, Lead length: 400 mm (15")

- To prevent the risk of discharge to earth high temperature oversleeves should be used.

200°C 150 W 1000 V 5 kV/pulse CAD i [04] 3...

pkg. wt. part no.
36 50 g **25.806.6702.00**



For Metal Halide Lamps

Screw mount

Housing: Ceramic

Wires: 18 AWG stranded, UL 250C, 600V, white

Accepts max. #4 machine screw, Lead length: 230 mm (9")

- To prevent the risk of discharge to earth high temperature oversleeves should be used.
- Rating: 150 W / 1000 V / 5 kV pulse rated (200° C for the Housing insert)

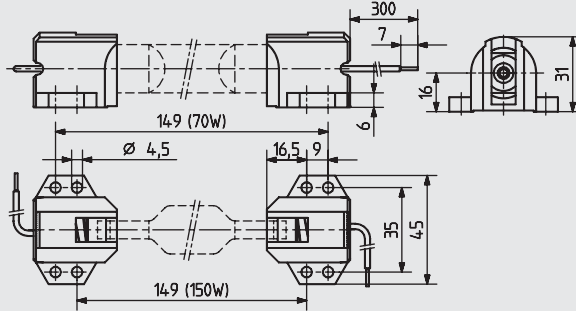
*Z=Lamp contact distance

200°C 150 W 1000 V 5 kV/pulse CAD i [04] 3...

HID Lampholders

RX7s

25.806



*Z=Lamp contact distance

pkg.	wt.	part no.
36	53 g	25.806.6703.00

For Metal Halide Lamps

Screw mount

Housing: Ceramic / PPS

Wires: 18 AWG stranded, UL 250C, 600V, white

Accepts max. #4 machine screw, Lead length: 300 mm (11")


- To prevent the risk of discharge to earth high temperature oversleeves should be used.
- Rating: 150 W / 1000 V / 5 kV pulse rated (200° C for the Housing insert)

CAD i
[04] 3...

HID Lampholders

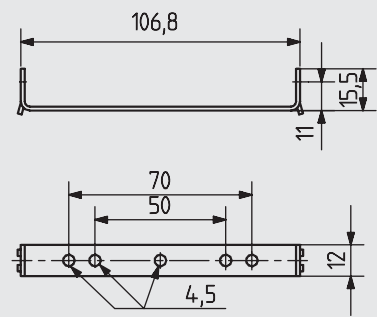
Accessories

25.808




pkg.	wt.	part no.
125	18 g	25.808 .-010.14

Mounting brackets for lampholders: 25.808
Lamp contact distance: 132 mm

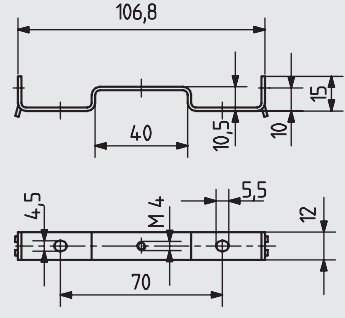


CAD	i
[04] 3...	



pkg.	wt.	part no.
125	19 g	25.808 .-006.14

Mounting brackets for lampholders: 25.808
Lamp contact distance: 132 mm

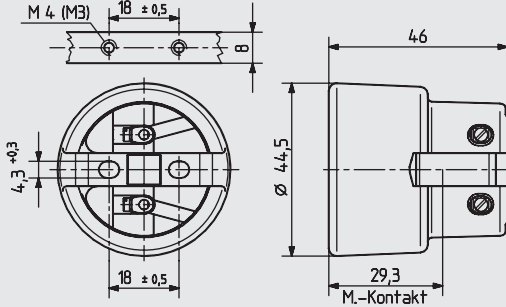



CAD	i
[04] 3...	

HID Lampholders

E26

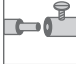



29.311



pkg.	wt.	part no.
160	67 g	29.311.6700.00

Screw mount
Housing: Porcelain
cULus file no.: E-111105


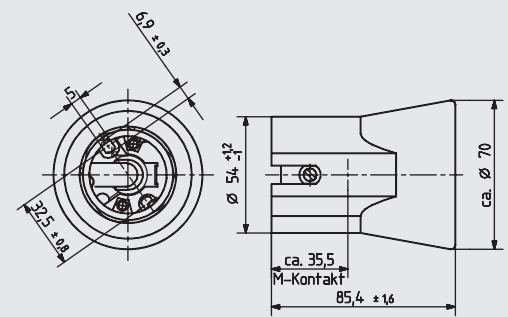
- For screws ISO 1207 - M4, ISO 1580 - M3

			660 W 600 V		CAD	i
max. ø 1.8 mm	18 AWG			4 kV/pulse		[04] 3...

HID Lampholders

29.409 29.411

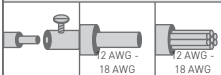

E39


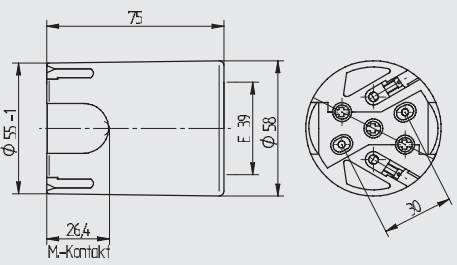




pkg. wt. part no.
60 300 g **29.409.8601.00**

Screw mount
Housing: Porcelain
cULus file no.: E-253092

- For 2 screws ISO 1207 - M4
- Three point stainless steel integral device provides protection against lamp working loose
- Lamp carrier ring live

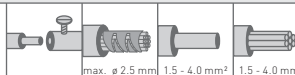

	1500 W 600 V		CAD	i	[04] 3...
--	-----------------	---	-----	---	-----------


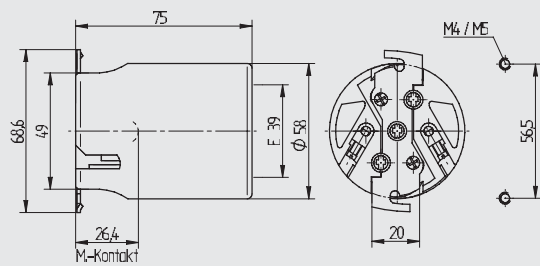



pkg. wt. part no.
60 275 g **29.411.8020.00**

Screw mount
Housing: porcelain

- For 2 screws M4
- Three point stainless steel integral device provides protection against lamp working loose
- Lamp carrier ring live
- Only adapted for lamps 40/45
- VDE -Reg. no C090

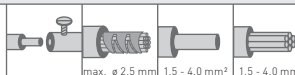

16 A 500 V		max. ø 2.5 mm	1.5 - 4.0 mm ²	1.5 - 4.0 mm ²		CAD	i	[04] 3...
---------------	---	---------------	---------------------------	---------------------------	---	-----	---	-----------

pkg. wt. part no.
60 275 g **29.411.8021.00**

Screw mount with mounting bracket
Housing: porcelain

- For 2 screws M4 or M5
- Three point stainless steel integral device provides protection against lamp working loose
- Lamp carrier ring live
- Only adapted for lamps 40/45
- VDE -Reg. no C090

16 A 500 V		max. ø 2.5 mm	1.5 - 4.0 mm ²	1.5 - 4.0 mm ²		CAD	i	[04] 3...
---------------	---	---------------	---------------------------	---------------------------	---	-----	---	-----------

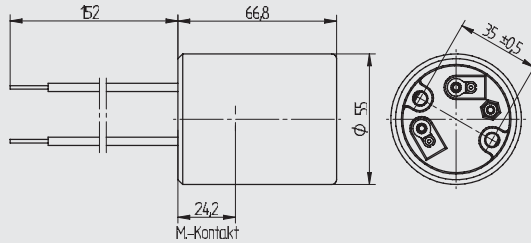
HID Lampholders

EX39

29.415



pkg. wt. part no.
60 300 g **29.415.8201.00**



Screw mount
Housing: Porcelain
Wires: 18 AWG, Termination: 10 mm cut, not stripped, Lead length: 152 mm (6")
cULus file no.: E-253092

- For 2 screws ISO 1207 - M4
- Three point stainless steel integral device provides protection against lamp working loose
- Lamp carrier ring live
- Other versions on request

	2 AWG - 18 AWG	1500W 600V	5 kV/pulse	CAD	i
--	----------------	---------------	------------	-----	---

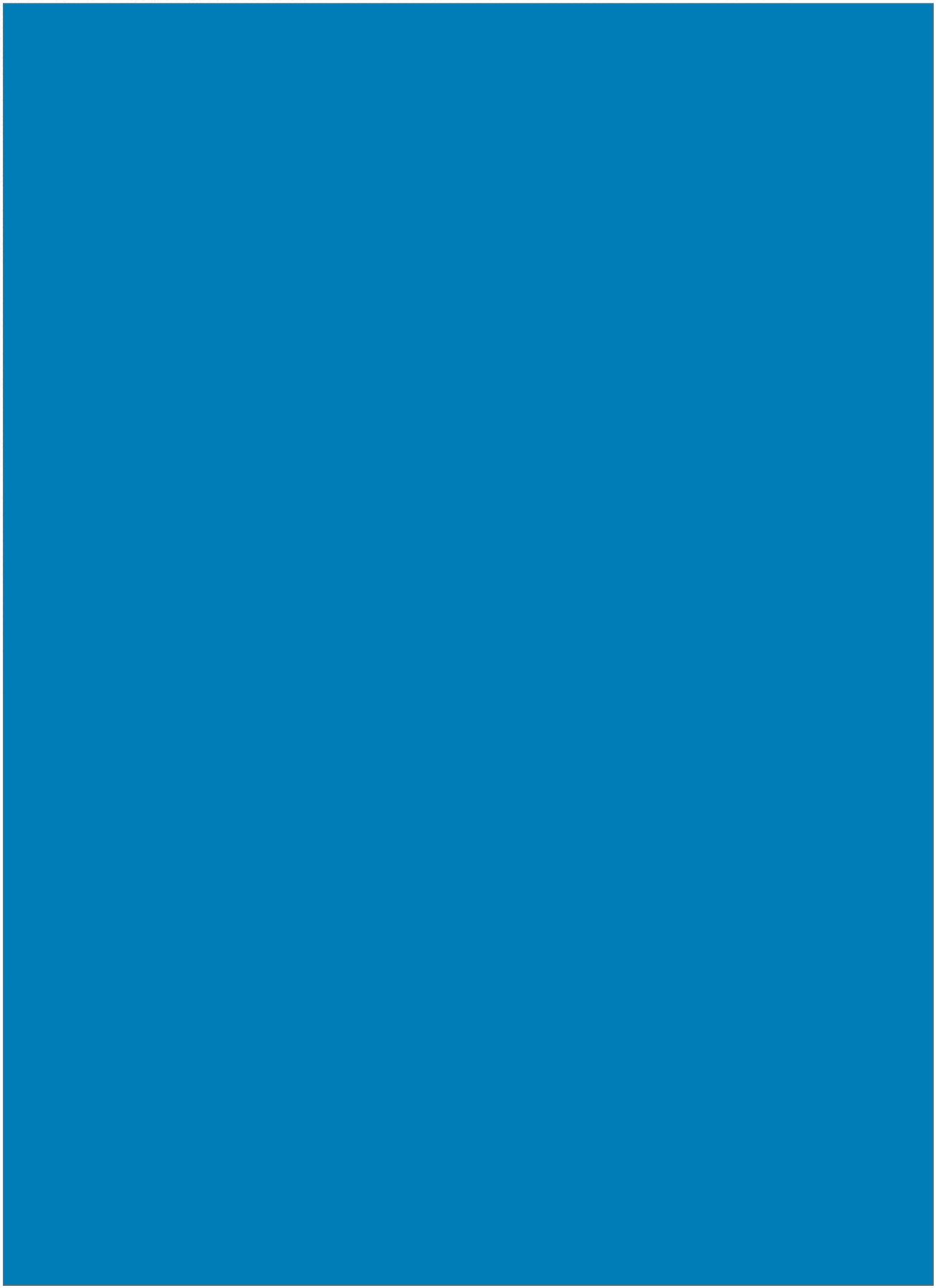


LED - Lighting and connection technology

LED




Your Connection to Light




LED - Lighting and connection technology
Table of Contents



	Connectors for STARboards · 47.313	[05] 8-14
	Accessories · 47.313	[05] 15

	Connector for PCB's · 47.315	[05] 16
--	--	---------

	Lampholder for Fortimo Twistable Modules · 28.107	[05] 17
---	---	---------

LED - Lighting and connection technology

General Information



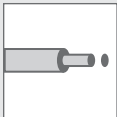
All articles in this chapter have been designed according to the appropriate national and international standards (VDE / IEC).
The choice of product and correct technical application is the sole responsibility of the user.
Exact information can be obtained on request. We reserve the right to modify products without notice.

Explanation of the symbols shown on the product pages.

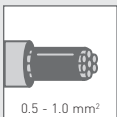


Temperature rating T 110

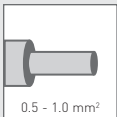
The maximum operating temperature is given by a T marking.
This is the maximum operating temperature for which the product is designed.



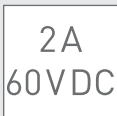
Single push wire terminals



For tinned wire ends within the cross sectional range stated
(In this example 0.5 - 1.0 mm²)
When regulations deviate from IEC, other cross sections are possible (e. g. UL / CSA: cable 18 AWG).

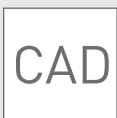


For solid conductors within the cross sectional range stated
(In this example 0.5 - 1.0 mm²)
When regulations deviate from IEC, other cross sections are possible (e. g. UL / CSA: cable 18 AWG).



Rating

Indication of rated values.



CAD-Data files in 2D or 3D format available



Additional information

Further information about the products shown on this page can be found on the pages shown within this symbol.

LED - Lighting and connection technology
 Connectors for LED STARboards
 General Information

47.313



BJB connectors for LED STARboards - Advantages at a glance:

- Solder free contacting of the LED - no lifespan reduction due to thermal impact on LED
- Simple exchange of the LED
- Simple adaptation of lenses - previously: glued, now: clipped
- Fixing of LED
- Compatible with LEDs which can be placed on STARboards, such as Cree, Edison, Nichia, OSRAM, Philips Lumileds and Seoul Semiconductor

Assembly of the system:



Screw Mount
 for 2 screws M3 or self-tapping screws up to
 ø 3 mm with locking washer

Connectors
 Version depends on planned LED

STARboard with LED
 Care is required with positioning / polarity of
 connector onto STARboard !



Single push wire terminals
 for conductors 0.5 mm², solid or flexible
 tinned wire ends

Insulation strip length: 6⁺ mm



**Lenses with different
 beam angles**
 Snap in fixing

Lens holder
 Snap in fixing

Sources for lenses and LEDs:



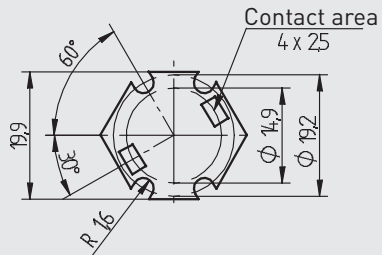
LED - Lighting and connection technology

Connectors for LED STARboards

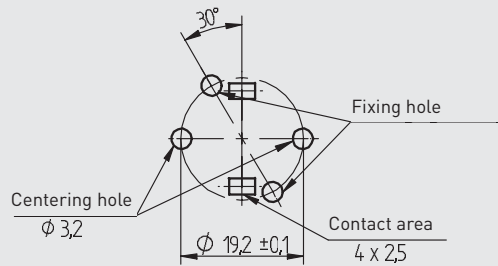
General Information



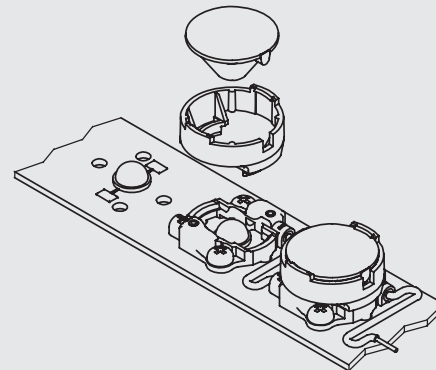
Dimensions of STARboard



Cut out



Example of application



Identification of connecting pieces

To make identification of relevant part easier each will be marked with a 2 digit code.



Test ports













For efficient final testing after assembly of LED, connecting pieces are equipped with two test ports for top testing with an adaptor.



LED - Light and connection technology
 Connectors for LED STARboards
 Components Overview

47.313



Cree XLamp XP-E/C 	Cree XLamp XR-E/C 	Edison EdiPower 	NICHIA NCSW119J 
47.313.5201.80 	47.313.5101.80 	47.313.1000.80 	47.313.3101.80 
47.313.-320.. 	47.313.-320.. 	47.313.-320.. 	47.313.-320.. 
Carclo Optics ø 20 mm Plain Tight, 8.2° No. 10193	Carclo Optics ø 20 mm Plain Tight, 8.4° No. 10199	Due to a wide area of illumination an application of lenses with ø 20 mm is not possible.	Carclo Optics ø 20 mm Plain Tight, 8.2° No. 10193
ø 20 mm Frosted Narrow, 10.4° No. 10194	ø 20 mm Frosted Narrow, 10° No. 10200		ø 20 mm Frosted Narrow, 10.4° No. 10194
ø 20 mm Frosted Medium, 17.9° No. 10201	ø 20 mm Frosted Medium, 20° No. 10201		ø 20 mm Frosted Medium, 17.9° No. 10195
ø 20 mm Frosted Wide, 31.5° No. 10196	ø 20 mm Frosted Wide, 36° No. 10202		ø 20 mm Frosted Wide, 36° No. 10196
ø 20 mm Elliptical, 47 x 8° No. 10197	ø 20 mm Elliptical, 41 x 10° No. 10203		ø 20 mm Elliptical, 41 x 10° No. 10197
OSRAM DRAGON-X120° 	Seoul Semiconductor Z-Power P4 	Philips Lumileds LUXEON® Rebel 	
47.313.1101.80 	47.313.5001.80 	47.313.2401.80 	
47.313.-320.. 	47.313.-320.. 	47.313.-320.. 	
Carclo Optics ø 20 mm Plain Tight, 5.4° No. 10193	Carclo Optics ø 20 mm Plain Tight, 9.5° No. 10003	Carclo Optics ø 20 mm Plain Tight, 8.7° No. 10193	
ø 20 mm Frosted Tight, 10° No. 10194	ø 20 mm Frosted Tight, 15.4° No. 10138	ø 20 mm Frosted Tight, 12° No. 10194	
ø 20 mm Frosted Medium, 19° No. 10195	ø 20 mm Frosted Medium, 23.8° No. 10139	ø 20 mm Frosted Medium, 19° No. 10195	
ø 20 mm Frosted Wide, 32° No. 10196	ø 20 mm Frosted Wide, 31.8° No. 10140R2	ø 20 mm Frosted Wide, 35° No. 10196	
ø 20 mm Elliptical, 39 x 7.8° No. 10197	ø 20 mm Elliptical, 44 x 15° No. 10003 / L25	ø 20 mm Elliptical, 40 x 9.5° No. 10197	
* alternatively star PCB of Drees Lichttechnik (www.drees-lichttechnik.eu)			

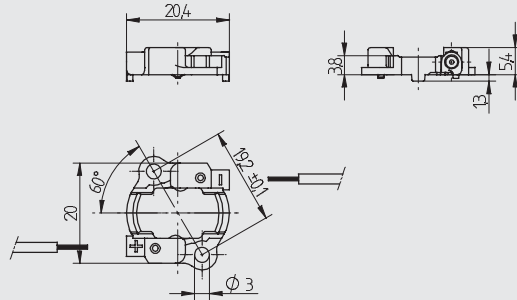
LED - Lighting and connection technology

47.313

Connector for STARboard with LED - without centering



pkg. wt. part no.
250 1 g **47.313.1000.80**



Without centering for LED, for use with EdiPower from Edison
Screw mount

Housing: PBT
Contacts: CuSn

- Not for use with lenses
- Screw mount: for screws M3
- Max. torque for screw fixing 0.6 Nm
- Strip length: 6+1 mm
- Test ports
- Polarity of LED must be observed
- Specifications of LED manufacturer must be observed
- VDE-Reg - no. D060

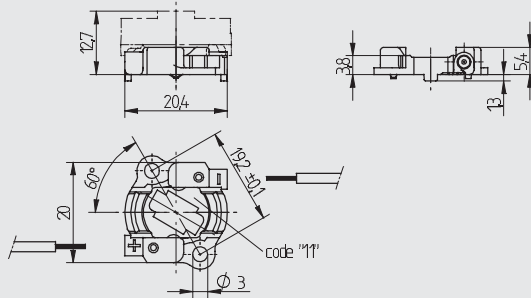
Show accessories on page:[05] 12

T 110				2A 60VDC	CAD	i
		0.25 - 0.5 mm ²	0.5 mm ²			[05] 3...

LED - Lighting and connection technology

47.313

Connector for STARboard with LED Dragon-X 120°



pkg. wt. part no.
250 1 g **47.313.1101.80**

- Screw mount
Housing: PBT
Contacts: CuSn
- For use with lens holder 47.313.-3xx and lenses
 - Screw mount: for screws M3
 - Max. torque for screw fixing 0.6 Nm
 - Strip length: 6+1 mm
 - Test ports
 - Polarity of LED must be observed
 - Specifications of LED manufacturer must be observed
 - VDE-Reg - no. D060

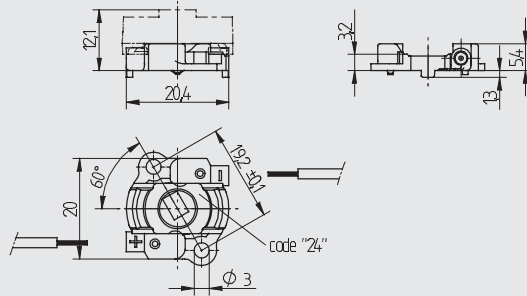
Show accessories on page:[05] 15

T 110			0.25 - 0.5 mm ²		0.5 mm ²	2A 60VDC	CAD	i
								[05] 3...

LED - Lighting and connection technology

47.313

Connector for STARboard with LED LUXEON® Rebel



pkg. wt. part no.
250 1 g **47.313.2401.80**

- Screw mount
 Housing: PBT
 Contacts: CuSn
 cURus file no.: E-336385
- For use with lens holder 47.313.-3xx and lenses
 - Screw mount: for screws M3
 - Max. torque for screw fixing 0.6 Nm
 - Strip length: 6+1 mm
 - Test ports
 - Polarity of LED must be observed
 - Specifications of LED manufacturer must be observed
 - VDE-Reg - no. D060

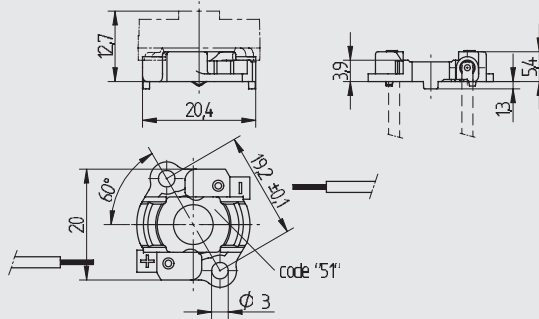
Show accessories on page:[05] 15

T 110				2A 60VDC	CAD	i
		0.25 - 0.5 mm ²	0.5 mm ²			[05] 3...

LED - Lighting and connection technology

Connector for STARboard with LED from Cree

47.313



pkg. wt. part no.
250 1 g **47.313.5101.80**

With centring for XLamp XR-E/C from Cree

Screw mount

Housing: PBT

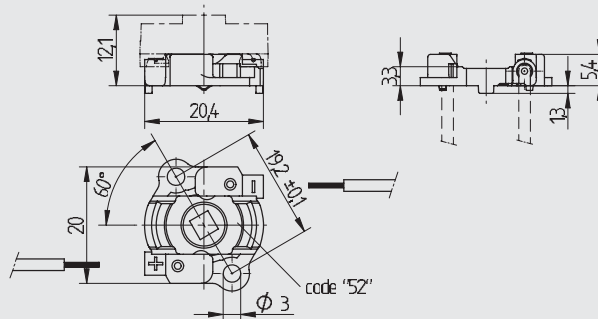
Contacts: CuSn

cURus file no.: E-336385

- For use with lens holder 47.313.-3xx and lenses
- Screw mount: for screws M3
- Max. torque for screw fixing 0.6 Nm
- Strip length: 6+1 mm
- Test ports
- Polarity of LED must be observed
- Specifications of LED manufacturer must be observed
- VDE-Reg - no. D060

Show accessories on page:[05] 15

T 110				2A 60VDC	CAD	i
		0.25 - 0.5 mm ²	0.5 mm ²			[05] 3...



pkg. wt. part no.
250 1 g **47.313.5201.80**

With centring for LED XLamp XP-E/C from Cree

Screw mount

Housing: PBT

Contacts: CuSn

cURus file no.: E-336385

- For use with lens holder 47.313.-3xx and lenses
- Screw mount: for screws M3
- Max. torque for screw fixing 0.6 Nm
- Strip length: 6+1 mm
- Test ports
- Polarity of LED must be observed
- Specifications of LED manufacturer must be observed
- VDE-Reg - no. D060

Show accessories on page:[05] 15

T 110				2A 60VDC	CAD	i
		0.25 - 0.5 mm ²	0.5 mm ²			[05] 3...

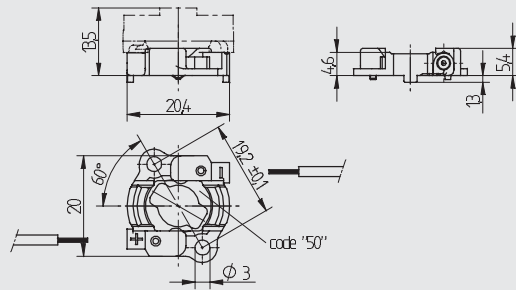
LED - Lighting and connection technology

47.313

Connector for STARboard with LED Z-Power P4



pkg. wt. part no.
250 1 g **47.313.5001.80**



Screw mount

Housing: PBT

Contacts: CuSn

cURus file no.: E-336385

- For use with lens holder 47.313.-3xx and lenses
- Screw mount: for screws M3
- Max. torque for screw fixing 0.6 Nm
- Strip length: 6+1 mm
- Test ports
- Polarity of LED must be observed
- Specifications of LED manufacturer must be observed
- VDE-Reg - no. D060

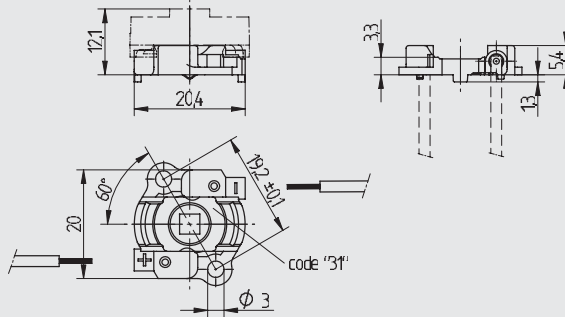
Show accessories on page:[05] 15

T 110				2A 60VDC	CAD	i
		0.25 - 0.5 mm ²	0.5 mm ²			[05] 3...

LED - Lighting and connection technology

47.313

Connector for STARboard with LED Nichia NCSW119



pkg. wt. part no.
250 1 g **47.313.3101.80**

- Screw mount
Housing: PBT
Contacts: CuSn
- For use with lens holder 47.313.-3xx and lenses
 - Screw mount: for screws M3
 - Max. torque for screw fixing 0.6 Nm
 - Strip length: 6±1 mm
 - Test ports
 - Polarity of LED must be observed
 - Specifications of LED manufacturer must be observed
 - VDE-Reg - no. D060

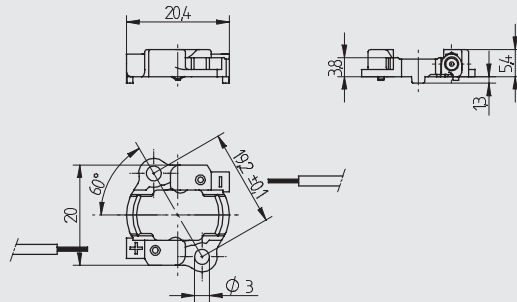
Show accessories on page:[05] 15

T 110				2A 60VDC	CAD	i
		0.25 - 0.5 mm ²	0.5 mm ²			[05] 3...

LED - Lighting and connection technology

47.313

Connector for Side Emitter LEDs



pkg. wt. part no.
250 1 g **47.313.1900.85**

Without centring for LED, for use with Side Emitter LED's
Screw mount

Housing: PBT
Contacts: CuSn

- Not for use with lenses
- Screw mount: for screws M3
- Max. torque for screw fixing 0.6 Nm
- Strip length: 6+1 mm
- Test ports
- Polarity of LED must be observed
- Specifications of LED manufacturer must be observed

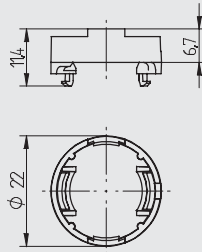
Show accessories on page:[05] 15

T 90		0.25 - 0.5 mm ²	0.5 mm ²	2A 60VDC	CAD	i
------	--	----------------------------	---------------------	-------------	-----	---

LED - Lighting and connection technology

47.313

Accessories



pkg.	wt.	part no.
250	1 g	47.313.-320.50
250	1 g	47.313.-320.80

Lens holder for lenses with \varnothing 20 mm from Carclo Optics
Snap in mount for connectors and lenses

Housing: PC

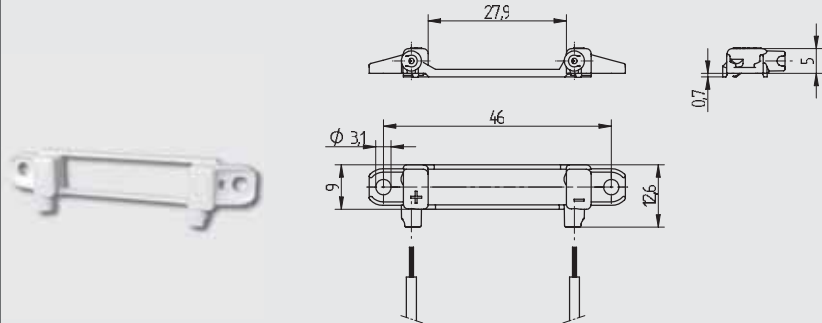
- For use with connectors 47.313...
- Specifications from Carclo Optics must be observed

CAD i
[05] 3...

LED - Lighting and connection technology

Connector for LED from Citizen

47.315



pkg. wt. part no.
225 1 g **47.315.1002.50**

Connector for LED light source CL-L103 and CL-L102 from Citizen

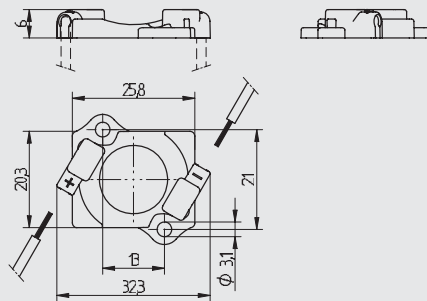
Screw mount

Housing: PBT

Contacts: CuSn

- Screw mount: for screws M3
- Max. torque for screw mount 0.6 Nm
- Strip length: 6+1 mm
- Polarity of LED must be observed
- Specifications of LED manufacturer must be observed

Show accessories on page:[05] 15



pkg. wt. part no.
225 1 g **47.315.1101.50**

Connector for LED light source CL-L233 from Citizen

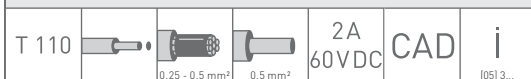
Screw mount

Housing: PBT

Contacts: CuSn

- Screw mount: for screws M3
- Max. torque for screw mount 0.6 Nm
- Strip length: 6+1 mm
- Polarity of LED must be observed
- Specifications of LED manufacturer must be observed


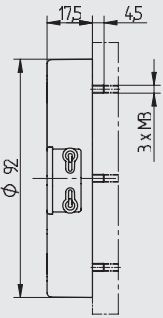
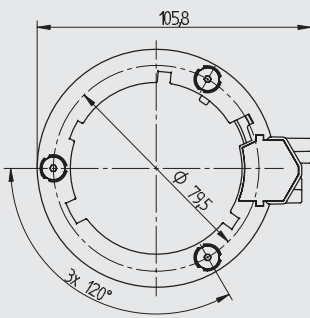
Show accessories on page:[05] 15



LED - Lighting and connection technology

28.107




Lampholder for LED light sources Fortimo Twistable from Philips


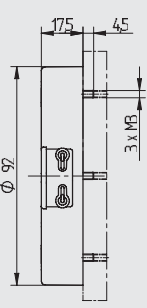
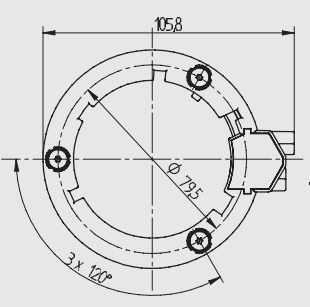





pkg.	wt.	part no.
120	8 g	28.107.1001.54

Screw mount
 Outer ring: PC
 Inner ring: PPS

- Socket: PHJ65-1
- Lampholder is delivered assembled inclusively screws M3 for fixing
- Holes M3 recommendation: sharp-edged without countersunk



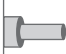
			1 A 250 V	CAD	i
0.5 - 1.0 mm ² 0.5 - 1.5 mm ²					[05] 3...

pkg.	wt.	part no.
120	8 g	28.107.1002.54

Screw mount
 Outer ring: PC
 Inner ring: PPS

- Lampholder is delivered assembled inclusively screws M3 for fixing
- Holes M3 recommendation: sharp-edged without countersunk

			1 A 250 V	CAD	i
0.5 - 1.0 mm ² 0.5 - 1.5 mm ²					[05] 3...

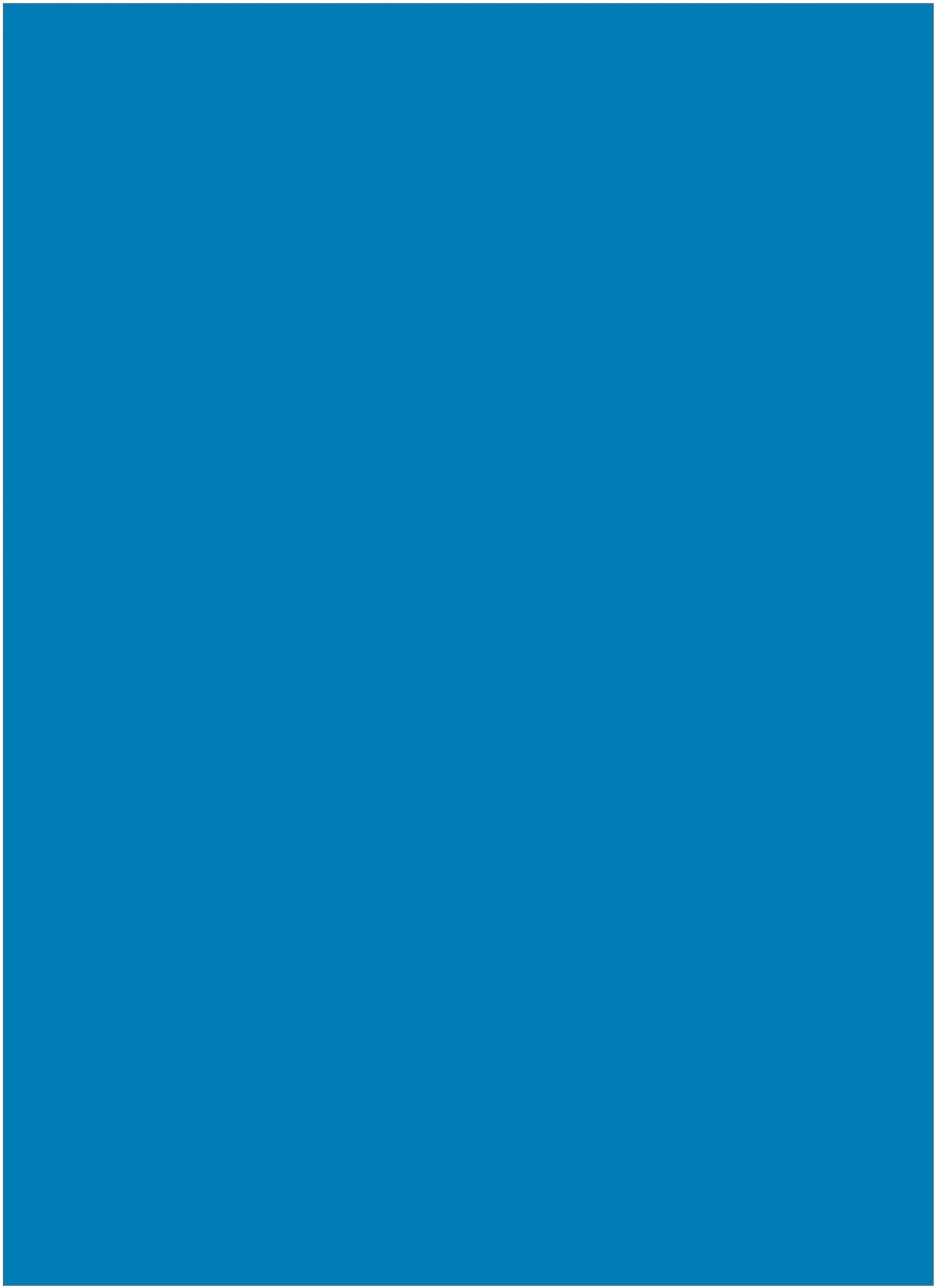


Line Voltage Halogen Lampholders



Your Connection to Light





Line Voltage Halogen Lampholders

Table of Contents



G9

· 25.830
· 25.834

[06] 6
[06] 6

Accessories for G9 lampholders 25.834

· 25.934

[06] 7



GU10

· 25.819

[06] 8

GZ10

· 25.818

[06] 9



R7s

· 25.803

[06] 10

Line Voltage Halogen Lampholders

General Information



All articles in this chapter have been designed according UL and/or CSA or to the appropriate national and international standards (VDE / IEC). The choice of product and correct technical application is the sole responsibility of the user. Standard dimensions for base and lampholders are contained in IEC 60061, in so far as available. Our declarations about the lampholders correspond to IEC 60838 standard. Different terms are also defined therein (i. e. lampholder / connecting elements etc.). Exact information can be obtained on request. We reserve the right to modify products. Through our work with the relevant national standardisation committees, we ensure our lampholders are developed and tested to the latest available specifications. When incorporating the lampholders into luminaire designs, contact protection as well as creepage and clearance distance to live parts must be considered. Technical information for line voltage halogen lampholders: Wires and tab terminations must be suitable for the conditions of the intended application. To ensure the correct distance between contacts, R7s lampholder bodies must be fixed. Please also note the general information at the end of this catalog and the directions for use.

Explanation of the symbols shown on the product pages.

	Temperature rating T 250 Declaration of the rated temperature (when > 80°C). This is the maximum operating temperature for which the lampholder is designed. The measuring point of the temperature is at the contact of the lampholder. When the thermal resistance for the insulating parts, terminals and cables deviate from this temperature, then separate values are given.
--	--

	Rating Indication of rated values.
--	--

	CAD-Data files in 2D or 3D format available
--	--

	Temperature rating / Temperature index according to UL
--	---

	Additional information Further information about the products shown on this page can be found on the pages shown within this symbol.
--	--

	Single push wire terminals
--	-----------------------------------

	Twin push wire terminals
--	---------------------------------

	For wire ends with ferrule to the maximum diameter stated (In this example max. ø 1.8 mm) The cable and termination used must be compatible in respect of: Diameter and length of the ferrule. For further information see DIN 46228, part 3, size 1 - 7 Material and surface of ferrules have to correspond to the relevant application. For temperatures > 200°C we recommend ferrules of steel, nickel plated
--	---

	Rating Indication of rated values. For cULus (USA) approvals.
--	--

Line Voltage Halogen Lampholders

Technical information




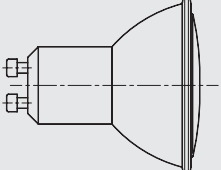
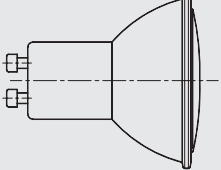

The information and values stated here are for quick reference only. For specific information please contact the relevant lamp manufacturer.

Rating
- W -

Lamp base/
standard

Lampholder/
standard

Lampholders
see page

<p>G9</p> 	<p>25 40 60 75</p>	<p>G9 IEC 60061-1 7004-129</p>	<p>G9 IEC 60061-2 7005-129</p>	<p>[06] 6</p>
<p>GU10</p> 	<p>35 50 75</p>	<p>GU10 IEC 60061-1 7004-121</p>	<p>GU10 IEC 60061-2 7005-121</p>	<p>[06] 8</p>
<p>GZ10</p> 	<p>50</p>	<p>GZ10 IEC 60061-1 7004-120</p>	<p>GZ10 IEC 60061-2 7005-120</p>	<p>[06] 9</p>
<p>R7s</p> 	<p>60 100 150 200 250 300 400 500 750 1000 1500 2000</p>	<p>R7s IEC 60061-1 7004-92</p>	<p>R7s IEC 60061-2 7005-53 7005-53A</p>	<p>[06] 10</p>

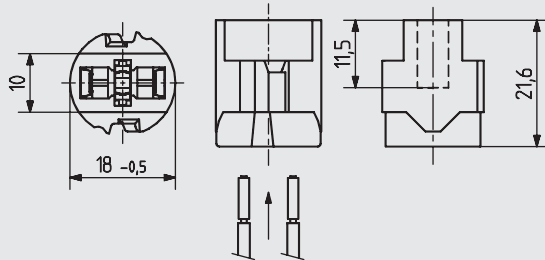
Line Voltage Halogen Lampholders

25.834 25.830

G9



pkg. wt. part no.
500 7 g **25.834.1000.00**



Lampholder

Bayonet mount into adapter or insulating cap 25.934...

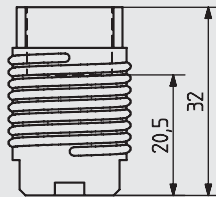
Housing: Ceramic / LCP

Contacts: CrNi

cULus file no.: E-93328

- Wires permanently joined after insertion
- Requirements of standards, regulations or protection class II are achieved by combination of lampholder with insulating cap.

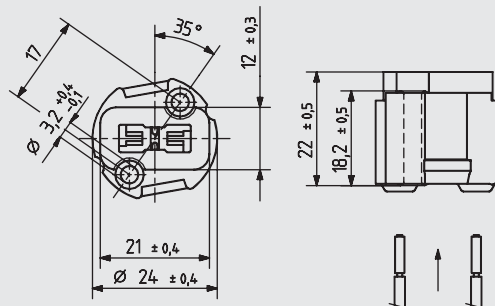
Show accessories on page:[06] 07



Combination of lampholder with insulating cap
Requirements of standards and regulations are achieved by combination of lampholder with insulating cap.

T250			2 A 250 V	CAD	i [06] 3...
------	--	--	--------------	-----	----------------

pkg. wt. part no.
216 15 g **25.830.1000.00**



Screw mount

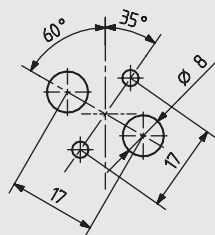
Snap-in mounting

Housing: Ceramic

Contacts: CrNi

cURus file no.: E-93328

- Wires permanently joined after insertion

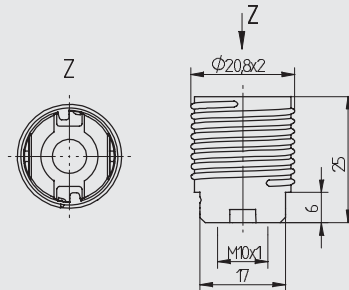


T250			2 A 250 V	CAD	i [06] 3...
------	--	--	--------------	-----	----------------

Line Voltage Halogen Lampholders

G9

25.934



color	pkg.	wt.	part no.
natural color	500	3 g	25.934.-301.51
anthracite (black/gray)	500	3 g	25.934.-301.90

Snap on insulating cap, Thread 20.8 x 2 mm
Thread M10 x 1

LCP

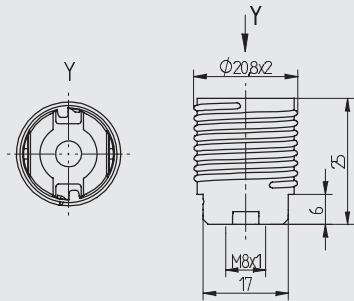
- For lampholder 25.834

250°C

CAD

i

[06] 3...



pkg.	wt.	part no.
500	3 g	25.934.-302.51

Snap on insulating cap, Thread 20.8 x 2 mm
Thread M8 x 1

LCP

- For lampholder 25.834

250°C

CAD

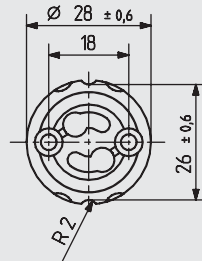
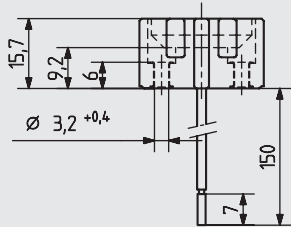
i

[06] 3...

Line Voltage Halogen Lampholders

GU10

25.819



pkg. wt. part no.
500 16 g **25.819.6901.00**

Screw mount

Housing: Ceramic / Mica plate

Contacts: Ni

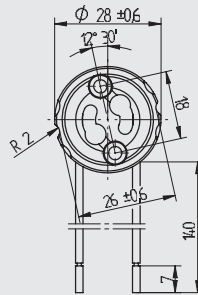
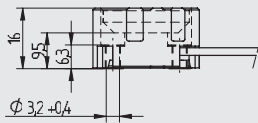
Connection: Rear leads

Wires: Cu, tin-plated, 18 AWG, with ferrule, Insulation: PTFE (max. 250° C), Lead length: 150 mm (6")

cULus file no.: E-93328

- Other versions on request.

250°C	2 A 250 V	CAD	i
[06] 3...			



pkg. wt. part no.
500 16 g **25.819.6801.00**

Screw mount

Housing: Ceramic / Mica plate

Contacts: Ni

Connection: parallel side leads

Wires: Cu, tin-plated, 18 AWG, with ferrule, Insulation: PTFE (max. 250° C), Lead length: 140 mm (5")

cULus file no.: E-93328

- Other versions on request.


250°C	2 A 250 V	CAD	i
[06] 3...			

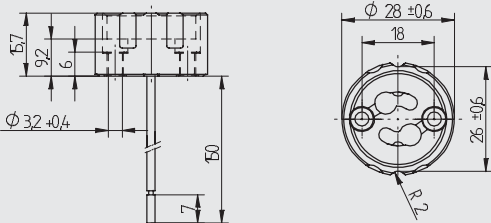
Line Voltage Halogen Lampholders

GZ10

25.818







pkg.	wt.	part no.
500	16 g	25.818.6901.00

Screw mount
 Housing: Ceramic / Mica plate
 Contacts: Ni
 Connection: Rear cable entry
 Wires: Cu, tin-plated, 18 AWG, with ferrule, Insulation: PTFE (max. 250° C), Lead length: 150 mm (6")
 cULus file no.: E-93328

- Other versions on request.


250°C

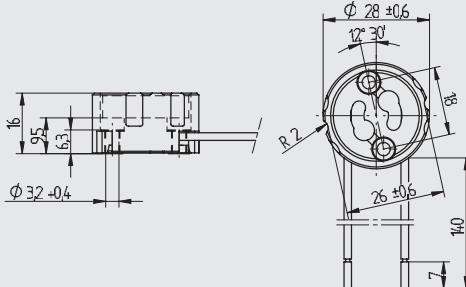
2 A
250 V

CAD

i

[06] 3...





pkg.	wt.	part no.
500	16 g	25.818.6801.00

Screw mount
 Housing: Ceramic / Mica plate
 Contacts: Ni
 Connection: parallel side leads
 Wires: Cu, tin-plated, 18 AWG, with ferrule, Insulation: PTFE (max. 250° C), Lead length: 140 mm (5")
 cULus file no.: E-93328

- Other versions on request.

250°C

2 A
250 V

CAD

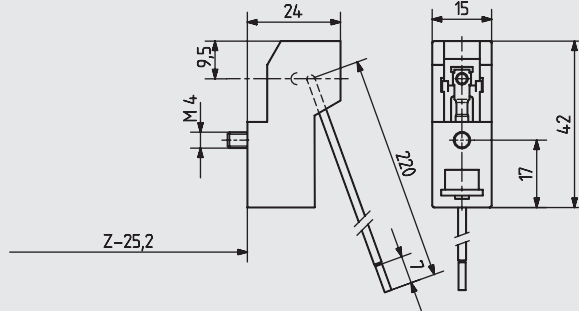
i

[06] 3...

Line Voltage Halogen Lampholders

R7s (RSC)

25.803

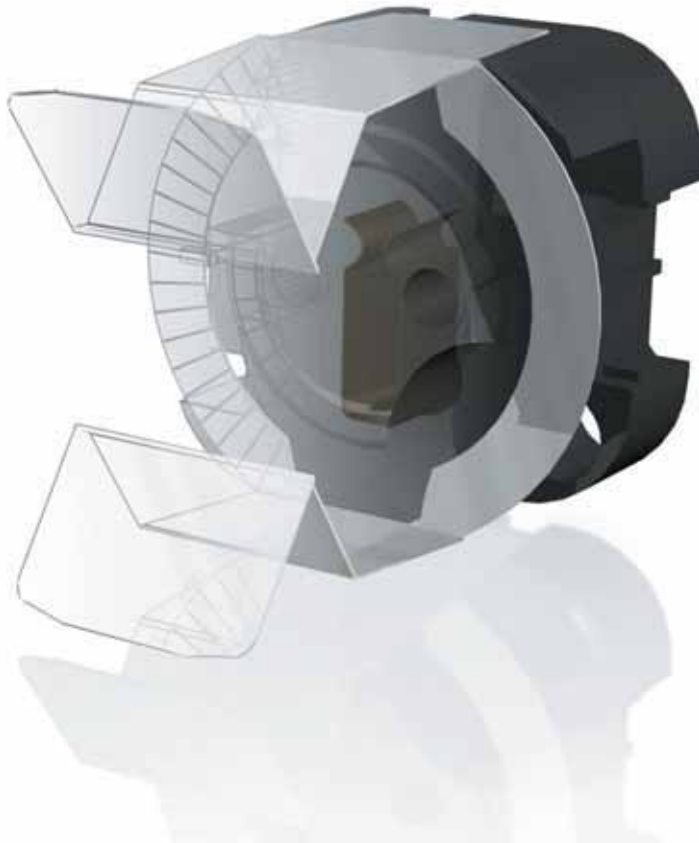


*Z=Lamp contact distance

pkg. wt. part no.
250 23 g **25.803.6809.00**

For double-ended Halogen lamps
Screw mount
Housing: Ceramic
Contacts: Cu with brazed silver cap
Wires: Cu, nickel plated 0.75 mm², with ferrule, Insulation PTFE (max. 250° C), Lead length: 220 mm (8")
cURus file no.: E-93328
• Other versions on request.

1500W 600V	CAD	i [06] 3...
---------------	-----	----------------

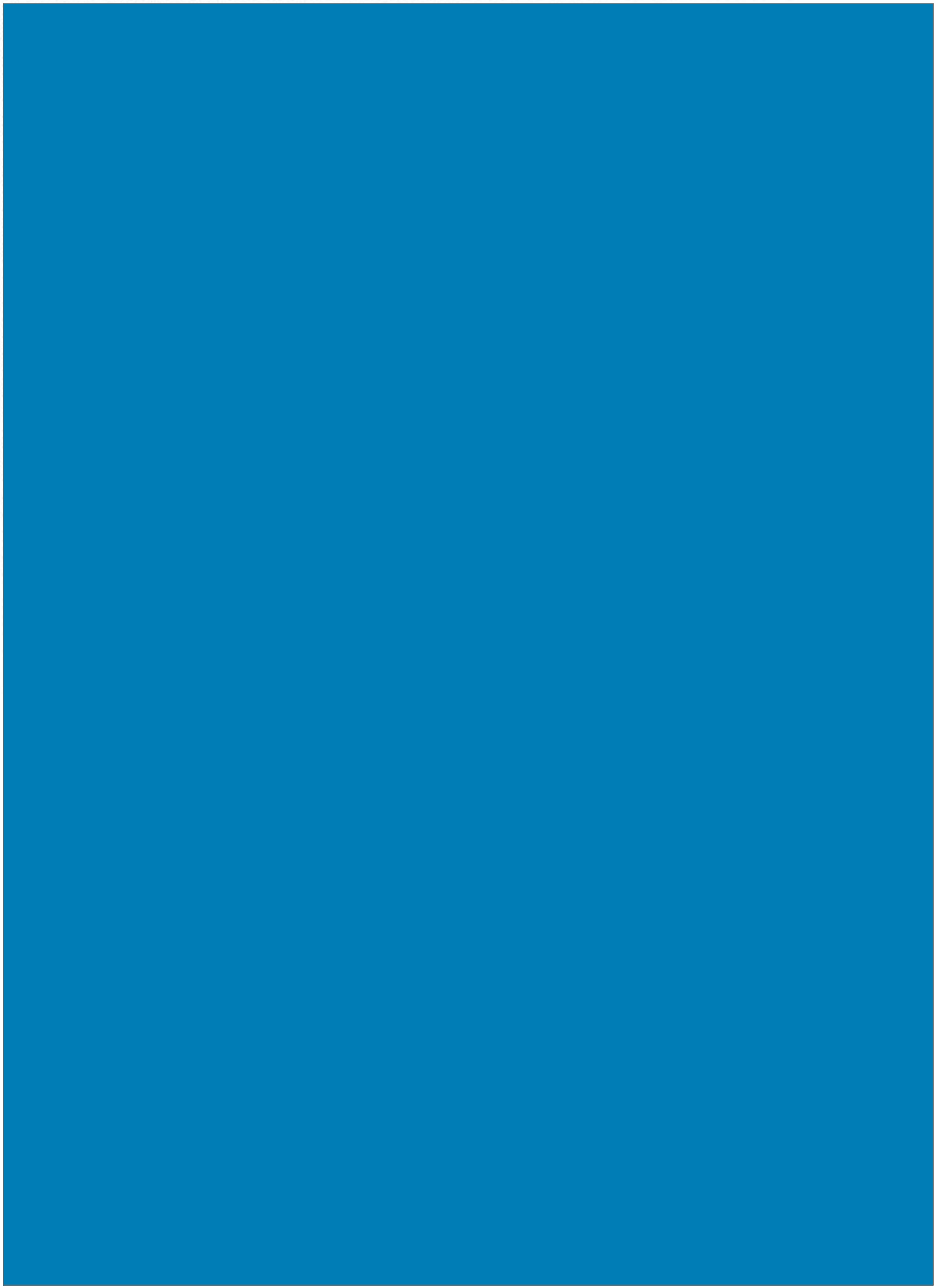


Low Voltage Halogen Lampholders



Your Connection to Light





Low Voltage Halogen Lampholders




Table of Contents



  	<p>G4, GU4, Connector GZ4 · 25.244</p> <p>Accessories · 25.244</p>	<p>[07] 7</p> <p>[07] 8</p>
---	--	-----------------------------

 	<p>G4 / Connector GZ4 · 25.104 · 25.114</p>	<p>[07] 10</p> <p>[07] 9</p>
---	--	------------------------------

   	<p>GU5.3 / Connector GX5.3 · 25.105 · 25.245</p> <p>Accessories · 25.245</p>	<p>[07] 13</p> <p>[07] 11</p> <p>[07] 12</p>
---	---	--

  	<p>GY6.35 · 25.106 · 25.246 · 25.126</p>	<p>[07] 14</p> <p>[07] 14</p> <p>[07] 15</p>
---	--	--

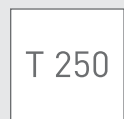
Low Voltage Halogen Lampholders

General Information



All articles in this chapter have been designed according to UL and/or CSA or to the appropriate national and international standards (VDE / IEC). The choice of product and correct technical application is the sole responsibility of the user. Standard dimensions for base and lampholders are contained in IEC 60061, in so far as available. Our declarations about the lampholders correspond to IEC 60838 standard. Different terms are also defined therein (i. e. lampholder / connectors etc.). Exact information can be obtained on request. We reserve the right to modify products without notice. Through our work with the relevant national standardisation committees, we ensure our lampholders are developed and tested to the latest available specifications. When incorporating the lampholder into luminaire design, contact protection as well as creepage and clearance distance to live parts must be considered. Please also note the general information at the end of this catalog and the directions for use.

Explanation of the symbols shown on the product pages.



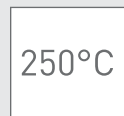
Temperature rating T 250

Declaration of the rated temperature (when > 80°C). This is the maximum operating temperature for which the lampholder is designed. The measuring point of the temperature is at the contact of the lampholder. When the thermal resistance for the insulating parts, terminals and cables deviate from this temperature, then separate values are given.



Additional information

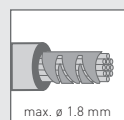
Further information about the products shown on this page can be found on the pages shown within this symbol.



Temperature rating / Temperature index according to UL



Single push wire terminals



For wire ends with ferrule to the maximum diameter stated (In this example max. ø 1.8 mm)

The cable and termination used must be compatible in respect of:
Diameter and length of the ferrule.
For further information see DIN 46228, part 3, size 1 - 7
Material and surface of ferrules have to correspond to the relevant application.
For temperatures > 200°C we recommend ferrules of steel, nickel plated.



Rating

Indication of rated values.




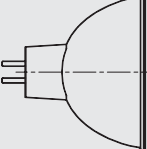
CAD-Data files in 2D or 3D format available

Low Voltage Halogen Lampholders

Technical Information



The information and values stated here are for quick reference only. For specific information please contact the relevant lamp manufacturer.

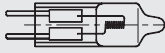
	Rating - W -	Lamp base/ standard	Lamp pins ø mm	Lampholder connecting piece/ standard	Lampholders see page
G4 	5 10 20	G4 IEC 60061-1 7004-72	0.65 - 0.75	G4 IEC 60061-2 7005-72	[07] 7-10
GZ4 	20 35	GZ4 IEC 60061-1 7004-67	0.95 - 1.05	GZ4 IEC 60061-2 7005-67	[07] 7-10
GU4 	10 20 35	GU4 IEC 60061-1 7004-108	0.95 - 1.05	GU4 IEC 60061-2 7005-108	[07] 7
GU5.3 	20 35 50	GU5.3 IEC 60061-1 7004-109	1.45 - 1.60	GU5.3 IEC 60061-2 7005-109	[07] 11, 13
GX5.3 	20 35 50	GX5.3 IEC 60061-1 7004-73-A	1.45 - 1.60	GX5.3 IEC 60061-2 7005-73-A	[07] 11-14

Low Voltage Halogen Lampholders

Technical Information



The information and values stated here are for quick reference only. For specific information please contact the relevant lamp manufacturer.

The information and values stated here are for quick reference only. For specific information please contact the relevant lamp manufacturer.	Rating - W -	Lamp base/ standard	Lamp pin ø mm	Lampholder connecting piece/ standard	Lampholders see page
GY6.35 	20 35 50 65 75 90 100 150	GY6.35 IEC 60061-1 7004-59	1.20 - 1.30	GY6.35 IEC 60061-2 7005-59	[07] 14

Low Voltage Halogen Lampholders

25.244

G4, GU4, Connector GZ4



		pkg. wt. part no. 500 3 g 25.244.1000.90
--	--	--

G4 Lampholder with lamp retention spring GZ4 Connector (without spring)
 Snap-in mounting
 Screw mount
 Housing: PPS
 Contacts: CuNi - CrNi
 cURus file no.: E-93328

- Wires permanently joined after insertion

Show accessories on page:[07] 08

T 240			max. ø 1.8 mm	3 A 50 V	CAD	i <small>[07] 3...</small>
-------	--	--	---------------	-------------	-----	-------------------------------

		pkg. wt. part no. 500 4 g 25.244.2200.00
--	--	--

G4 Lampholder with lamp retention spring GZ4 Connector (without spring)
 Snap-in mounting
 Screw mount
 Housing: Ceramic
 Contacts: CuNi - CrNi
 cURus file no.: E-93328

- Wires permanently joined after insertion

Show accessories on page:[07] 08

Example of application

T 250			max. ø 1.8 mm	3 A 50 V	CAD	i <small>[07] 3...</small>
-------	--	--	---------------	-------------	-----	-------------------------------

Low Voltage Halogen Lampholders

25.244

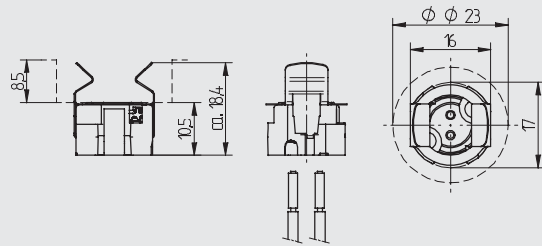
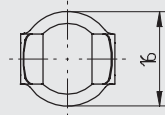
Accessories



pkg. wt. part no.
500 1 g **25.244**.-103.10

Retention spring for GU4

- Snap on mount
- For use with connector 25.244



CAD i



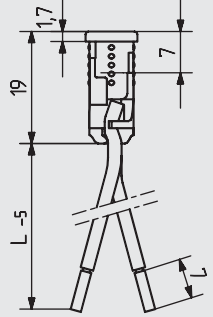
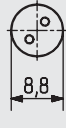
[07]3...

Low Voltage Halogen Lampholders

G4 / Connector GZ4

25.114



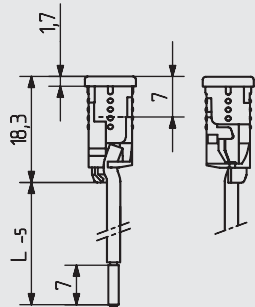



							
<table border="1" style="border-collapse: collapse;"> <tr> <td style="padding: 2px;">200°C</td> <td style="padding: 2px;">2 A 50 V</td> <td style="padding: 2px;">CAD</td> <td style="padding: 2px;">i <small>[07] 3...</small></td> </tr> </table>	200°C	2 A 50 V	CAD	i <small>[07] 3...</small>			
200°C	2 A 50 V	CAD	i <small>[07] 3...</small>				

		pkg. wt. part no.	
		500 5 g 25.114.6102.90	

Push through mount for cut out \varnothing 7.8 mm
 Housing: PPS
 Contacts: CuNi
 Wires: Cu, tin-plated, 18 AWG, with ferrule, Insulation: MFA (max. 250°C), Lead length: 140 mm (5")
 cULus file no.: E-93328


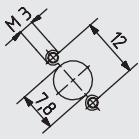
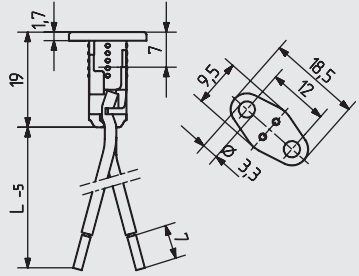

- Assembly into cut out \varnothing 7.8 mm. Also possible to tubemount e.g. into a tube with external \varnothing 10 mm. Internal nominal dimension \varnothing 7.8 mm.
- Actual dimension must be consistent and suitable for the intended application.

							
<table border="1" style="border-collapse: collapse;"> <tr> <td style="padding: 2px;">200°C</td> <td style="padding: 2px;">2 A 30 V</td> <td style="padding: 2px;">CAD</td> <td style="padding: 2px;">i <small>[07] 3...</small></td> </tr> </table>	200°C	2 A 30 V	CAD	i <small>[07] 3...</small>			
200°C	2 A 30 V	CAD	i <small>[07] 3...</small>				

		pkg. wt. part no.	
		500 3 g 25.114.6301.90	

Push through mount for cut out \varnothing 7.8 mm
 Housing: PPS
 Contacts: CuNi
 Wires: Cu, tin-plated, 18 AWG, with ferrule, Insulation: MFA (max. 250°C), Lead length: 140 mm (5")
 cULus file no.: E-93328

- Lampholder with side contact
- Assembly into cut out \varnothing 7.8 mm. Also possible to tubemount e.g. into a tube with external \varnothing 10 mm. Internal nominal dimension \varnothing 7.8 mm.
- Actual dimension must be consistent and suitable for the intended application.

							
<table border="1" style="border-collapse: collapse;"> <tr> <td style="padding: 2px;">200°C</td> <td style="padding: 2px;">2 A 50 V</td> <td style="padding: 2px;">CAD</td> <td style="padding: 2px;">i <small>[07] 3...</small></td> </tr> </table>	200°C	2 A 50 V	CAD	i <small>[07] 3...</small>			
200°C	2 A 50 V	CAD	i <small>[07] 3...</small>				

		pkg. wt. part no.	
		500 5 g 25.114.6203.90	

Screw mount,
 Push through mount for 7.8 mm dia. hole
 Housing: PPS
 Contacts: CuNi
 Wires: Cu, tin-plated, 18 AWG, with ferrule, Insulation: MFA (max. 250°C), Lead length: 140 mm (5")
 cULus file no.: E-93328

- Assembly into cut out \varnothing 7.8 mm. Also possible to tubemount e.g. into a tube with external \varnothing 10 mm. Internal nominal dimension \varnothing 7.8 mm.
- Actual dimension must be consistent and suitable for the intended application.

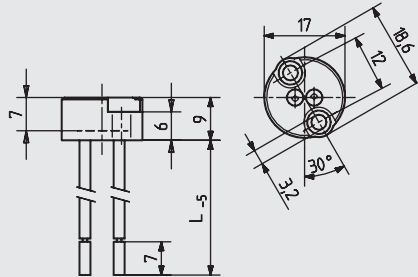
Low Voltage Halogen Lampholders

G4 / Connector GZ4

25.104



pkg. wt. part no.
500 10 g **25.104.6501.90**



Connector for G4 capsules and GZ4 base MR-11 lamps

Screw mount

Housing: Ceramic / PPS

Contacts: Ni

Connection: Rear cable entry

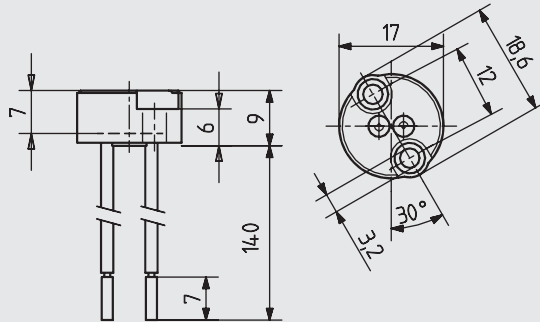
Wires: Insulation: PTFE 18 AWG, Lead length: 305 mm (12"),
Cable ends: 7 mm cut, not stripped

cURus file no.: E-93328

- The method of wiring must be such that no stress or bending motions will be transferred to the contacts, thus reducing the contact / pressure on the lamp pins.
- Other versions on request.

200°C	10 A 50 V	CAD	i
[07] 3...			

pkg. wt. part no.
500 9 g **25.104.6502.90**



Connector for G4 capsules and GZ4 base MR-11 lamps

Screw mount 12 mm centers

Housing: Ceramic

Connection: Rear cable entry

Wires: Insulation: FEP 18 AWG, Lead length: 250 mm (9"),
Cable ends: with ferrule

cURus file no.: E-93328

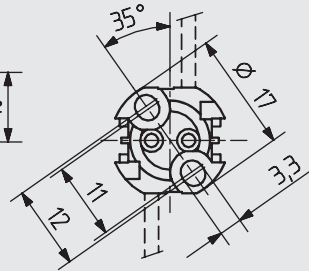
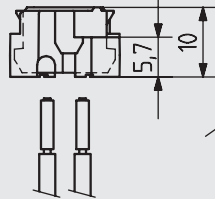
- The method of wiring must be such that no stress or bending motions will be transferred to the contacts, thus reducing the contact / pressure on the lamp pins.

CAD	i
[07] 3...	

Low Voltage Halogen Lampholders

GU5.3 / Connector GX5.3

25.245

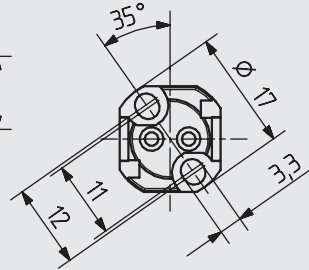
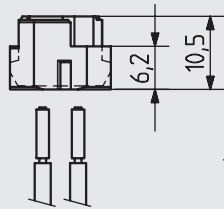


pkg. wt. part no.
500 4 g **25.245.1000.90**

GX 5.3 Connector
Snap-in mounting
Screw mount
Housing: PPS
Contacts: CuNi-CrNi
cURus file no.: E-93328
• Wires permanently joined after insertion

Show accessories on page:[07] 12

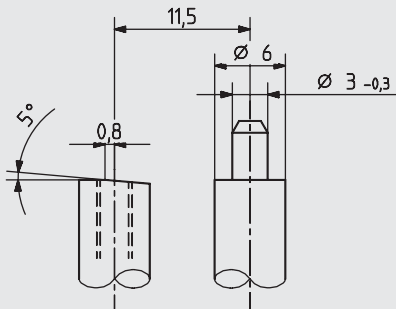
T 240			6 A 50 V	CAD	i
		max. ø 1.8 mm			[07] 3...



pkg. wt. part no.
500 4 g **25.245.2200.00**

GX 5.3 Connector
Snap-in mounting
Screw mount
Housing: Ceramic
Contacts: CuNi-CrNi
cURus file no.: E-93328
• Wires permanently joined after insertion

Show accessories on page:[07] 12



Example of application

T250			6 A 50 V	CAD	i
		max. ø 1.8 mm			[07] 3...

Low Voltage Halogen Lampholders

25.245

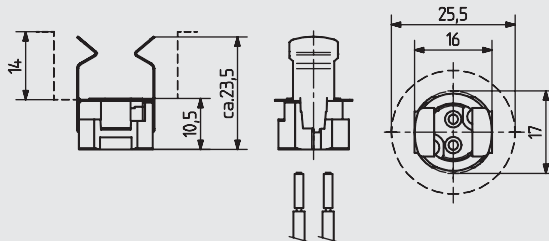
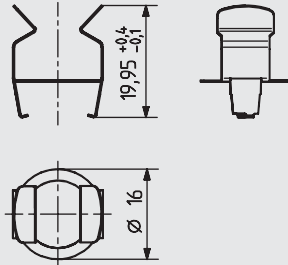
Accessories for GU5.3 lampholders



pkg.	wt.	part no.
500	1 g	25.245 -103.10

Retention spring for GU5.3

- Snap on mount
- For use with connector 25.245



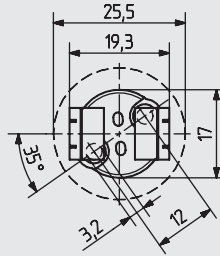
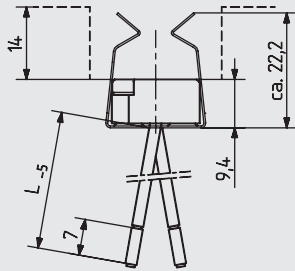
CAD i

[07]3...

Low Voltage Halogen Lampholders

GU5.3 / Connector GX5.3

25.105



pkg. wt. part no.
500 9 g **25.105.6101.00**

For GU5.3 base MR-16 lamps

Screw mount

Housing: Ceramic / Mica plate

Contacts: Ni

Connection: Rear cable entry

Wires: Cu, nickel plated, 18 AWG, insulation: PTFE (max. 250° C), with ferrule, Lead length: 250 mm (10")

cURus file no.: E-93328

- The method of wiring must be such that no stress or bending motions will be transferred to the contacts, thus reducing the contact / pressure on the lamp pins.
- Other versions on request.

250°C

10 A
50 V

CAD

i

[07] 3...

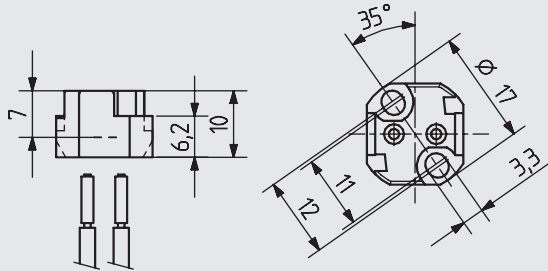
Low Voltage Halogen Lampholders

25.246 25.106

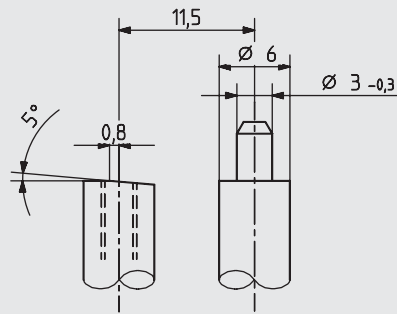
GY6.35 / Connector GX5.3



pkg. wt. part no.
500 4 g **25.246.2001.00**



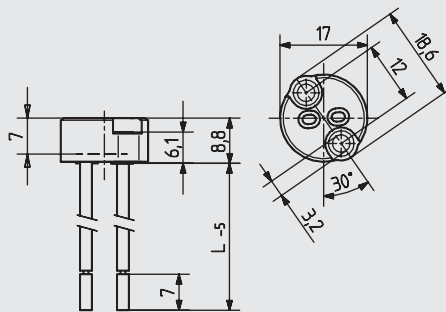
Snap-in mounting
Screw mount
Housing: Ceramic
Contacts: CuNi - CrNi
cURus file no.: E-93328
• Wires permanently joined after insertion



Example of application

T 250			5 A 50 V	CAD	i (07) 3...
-------	--	--	-------------	-----	----------------

pkg. wt. part no.
500 10 g **25.106.6501.00**



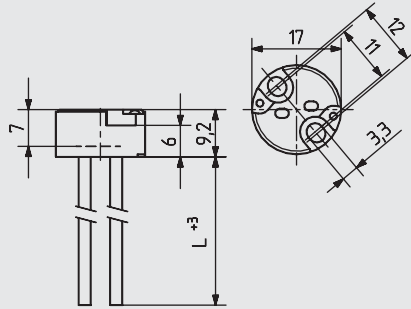
GX 5.3 Connector
Screw mount
Housing: Ceramic / Mica plate
Contacts: Ni
Connection: Rear cable entry
Wires: UL18 AWG, PTFE (max. 250° C), Termination: 7 mm cut, not stripped, Lead length: 305 mm
cURus file no.: E-93328
• The method of wiring must be such that no stress or bending motions will be transferred to the contacts, thus reducing the contact / pressure on the lamp pins.
• Other versions on request.

250°C	10 A 50 V	CAD	i (07) 3...
-------	--------------	-----	----------------

Low Voltage Halogen Lampholders

25.126

GY6.35 / Connector GX5.3



pkg. wt. part no.
500 6 g **25.126.6501.00**

Screw mount
Housing: Ceramic
Contacts: Ni
Wires: Cu, nickel plated 18 AWG, Insulation PTFE (max. 250° C), Lead length: 50 mm
cURus file no.: E-93328

- The method of wiring must be such that no stress or bending motions will be transferred to the contacts, thus reducing the contact / pressure on the lamp pins.

300°C	10 A 50 V	CAD	i [07] 3...
-------	--------------	-----	----------------

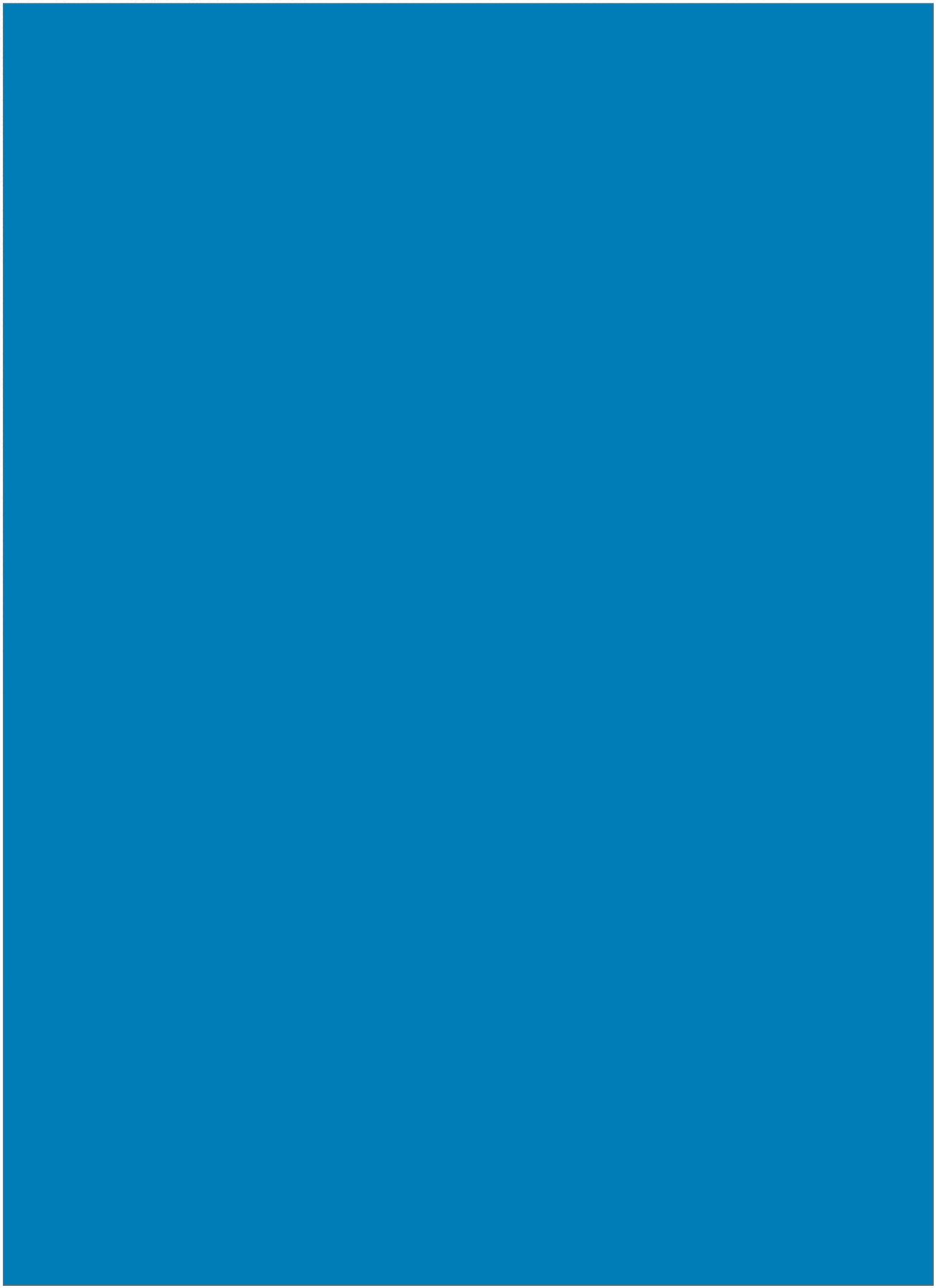


Incandescent Lampholders:
Edison Screw and Bayonet Cap



Your Connection to Light





Incandescent Lampholders

Table of Contents



E14

- 22.223
- 22.230

[08] 9
[08] 9

E12

- 22.228
- 22.231

[08] 10
[08] ..10

E17

- 22.233

[08] 11



E27

- 22.317
- 22.318

[08] 12
[08] 12, 13

Incandescent Lampholders

General Information



All articles in this chapter have been designed according to UL and/or CSA or to the appropriate national and international standards (VDE / IEC).
 The choice of product and correct technical application is the sole responsibility of the user.
 Further information available on request. We reserve the right to modify products without notice.
 When regulations deviate from IEC, e. g. UL, other ratings may be possible.
 Please also note the general information at the end of this catalog and the directions for use.

Explanation of the symbols shown on the product pages.

T 210

Temperature rating T 210
 The maximum operating temperature is given by a T marking. This is the maximum operating temperature for which the lampholder is designed.
 Without T marking, the following ratings apply:
 135°C for E14 / B15, 165°C for E27 / B22

Rating
 Indication of rated values.
 For PSE (Japan) approvals.

150°C

**Temperature rating /
 Temperature index according to UL**

Starting voltage
 (In this example 5 kV / pulse)

Twin push wire terminals

CAD-Data files in 2D or 3D format available

For tinned wire ends within the cross sectional range stated
 (In this example 0.5 - 1.0 mm²)
 When regulations deviate from IEC, other cross sections are possible (i. e. UL / CSA: cable 18 AWG).

0.5 - 1.0 mm²

Additional information
 Further information about the products shown on this page can be found on the pages shown within this symbol.

[08] ...

For wire ends with ferrule to the maximum diameter stated
 (In this example max. ø 1.8 mm)
 The cable and termination used must be compatible in respect of:
 Diameter and length of the ferrule.
 For further information see DIN 46228, part 3, size 1 - 7

max. ø 1.8 mm

For solid conductors within the cross sectional range stated
 (In this example 0.5 - 1.0 mm²)
 When regulations deviate from IEC, other cross sections are possible (i. e. UL / CSA: cable 18 AWG).

0.5 - 1.0 mm²

Material thickness
 Indication in mm
 (In this example 0.6 - 1.0 mm)

0.6 - 1.0 mm

Rating
 Indication of rated values.
 For cULus (USA) approvals.

75 W
 125 V

Rating
 Indication of rated values.

2 A
 250 V

Incandescent Lampholders

Technical Information



The information and values stated here are for quick reference only. For specific information please contact the relevant lamp manufacturer.

Lamp base/
standard

Lampholder/
standard

Lampholders
see page

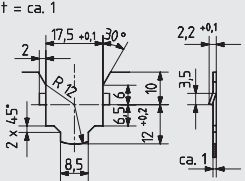
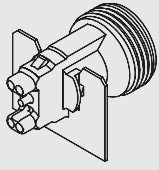
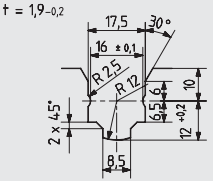
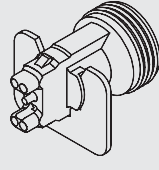
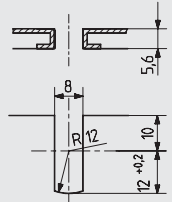
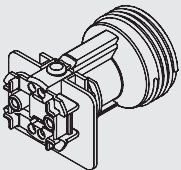
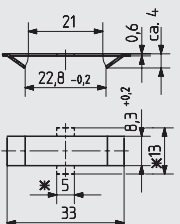
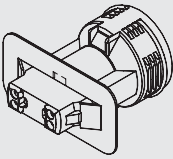
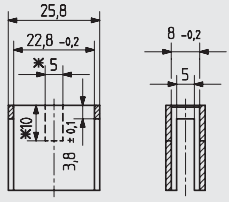
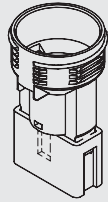
<p>E12</p> 	<p>E12</p> <p>IEC 60061-1 7004-28</p>	<p>E12</p> <p>IEC 60061-2 7005-28</p>	<p>[08] 10</p>
<p>E14</p> 	<p>E14</p> <p>IEC 60061-1 7004-23</p>	<p>E14</p> <p>IEC 60061-2 7005-20</p>	<p>[08] 9</p>
<p>E17</p> 	<p>E17</p> <p>IEC 60061-1 7004-26</p>	<p>E17</p> <p>IEC 60061-2 7005-20</p>	<p>[08] 11</p>
<p>E26</p> 	<p>E26</p> <p>IEC 60061-1 7004-21A</p>	<p>E26</p> <p>IEC 60061-2 7005-20</p>	<p>[08] 12, 13</p>

Incandescent Lampholders

Mounting Methods

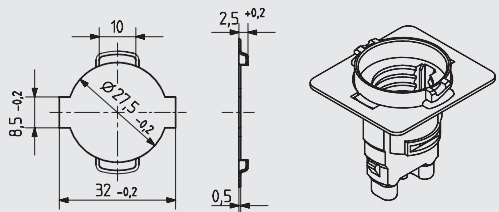
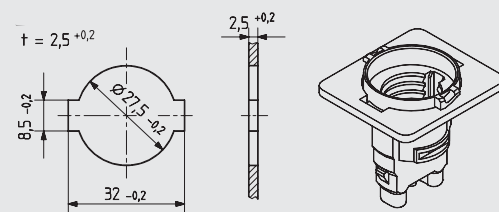
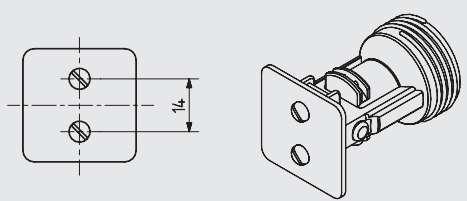
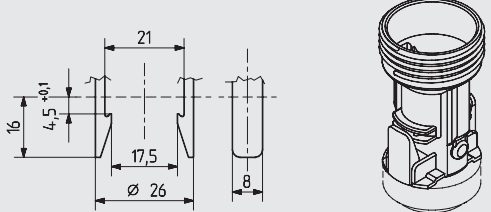
Lampholders E12, E14, E17



	Mounting Method	Lampholder	Lampholders see page
<p>Metal sheet</p>  	Push in fixing	22.228.3913 22.230 22.231 22.233	[08] 10 [08] 9 [08] 10 [08] 11
<p>Plastic</p>  	Push in fixing	22.228.3913 22.230 22.231 22.233	[08] 10 [08] 9 [08] 10 [08] 11
<p>Plastic</p>  	Push in fixing	22.228.3913 22.233	[08] 10 [08] 11
<p>Metal sheet</p>   <p>* Gap only for use with lampholder E17-22.233.3922.81</p>	Snap in fixing into housing cut-out	22.230 22.231 22.233	[08] 9 [08] 10 [08] 11
<p>Plastic</p>   <p>* Gap only for use with lampholder E17-22.233.3922.81</p>	Snap in fixing into housing cut-out	22.230 22.231 22.233	[08] 9 [08] 10 [08] 11

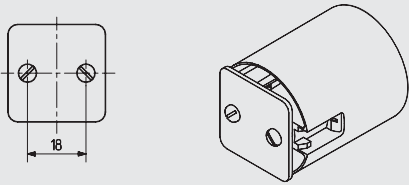
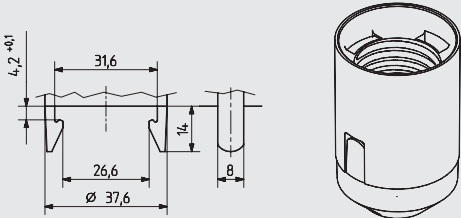
Incandescent Lampholders
 Mounting Methods
 Lampholders E12, E14, E17



	Mounting Method	Lampholder	Lampholders see page
Metal sheet 	Bayonet fixing	22.233	[08] 11
Plastic 	Bayonet fixing	22.233	[08] 11
	Screw fixing	22.223 22.228	[08] 9 [08] 10
	Snap in fixing	22.223 22.228	[08] 9 [08] 10

Incandescent Lampholders
 Mounting Methods
 Lampholders E26




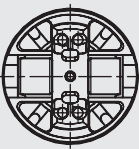
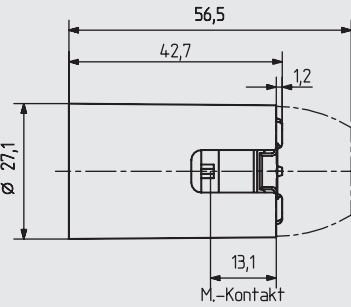
	Mounting Method	Lampholder	Lampholders see page
	Screw fixing	22.317 22.318	[08] 12 [08] 12, 13
	Snap in fixing	22.317 22.318	[08] 12 [08] 12, 13

Incandescent Lampholders

22.223 22.230

E14 Molded Lampholders





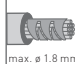
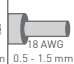




color	pkg.	wt.	part no.
white	500	13 g	22.223.3401.50
black	500	13 g	22.223.3401.80

Snap-in mounting
Housing: PBT

- Plain barrel

T 180


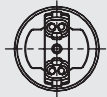
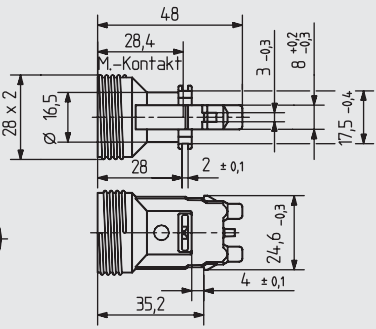





2 A
250 V

CAD

i

[08] 3...




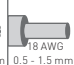




pkg.	wt.	part no.
500	11 g	22.230.3700.51

Snap-in mounting
Housing: PET
cURus file no.: E-93328

- T -25 / T 190
- Creepage current test PTI 250

T -25
T 190

CAD

i

[08] 3...

Incandescent Lampholders

22.228 22.231

E12 Molded Lampholders



pkg. wt. part no.
500 11 g **22.228.4001.51**

Candelabra Base
Snap-in mounting
Screw mount
Housing: PET
cURus file no.: E-93328

- Screw mount: for self-tapping screws ISO 1478 - ST 2.9
- Plain barrel

150°C				75 W 125 V	CAD	i	[08] 3...
-------	--	--	--	---------------	-----	---	-----------

pkg. wt. part no.
500 10 g **22.228.3913.81**

Candelabra Base
Snap-in mounting
Push in mount
Screw mount
Housing: PET
cURus file no.: E-93328

- Screw mount: for self-tapping screws ISO 1478 - ST 2.9

150°C				75 W 125 V	CAD	i	[08] 3...
-------	--	--	--	---------------	-----	---	-----------

pkg. wt. part no.
250 7 g **22.231.3901.81**

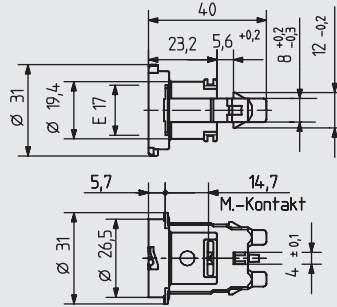
Candelabra Base
Snap-in mounting
Push in mount
Housing: PET
cURus file no.: E-93328

150°C				75 W 125 V	CAD	i	[08] 3...
-------	--	--	--	---------------	-----	---	-----------

Incandescent Lampholders

E17 Molded Lampholders

22.233



pkg. wt. part no.
500 8 g **22.233.3922.81**

- Intermediate Base
- Snap-in mounting
- Push in mount
- Bayonet mount
- Housing: PET
- cURus file no.: E-93328
- With side mounting lugs
- Centre contact marked blue


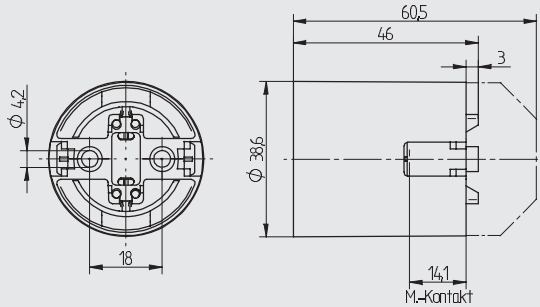
150°C			75 W 250 V	CAD	i
	18 AWG	18 AWG			[08] 3...

Incandescent Lampholders

22.317 22.318

E26 Medium Base




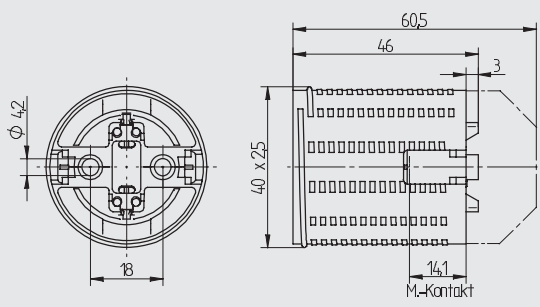



pkg. wt. part no.
250 18 g **22.317.6001.51**

Snap-in mounting
Screw mount
Housing: PET
cURus file no.: E-93328

- Plain barrel
- Screw mount: for cheese head screws ISO 1207 - M4

150°C					660 W 250 V	CAD	i
	18 AWG	0.5 - 1.5 mm ²	ø max. 1.8 mm	18 AWG			[08] 3...


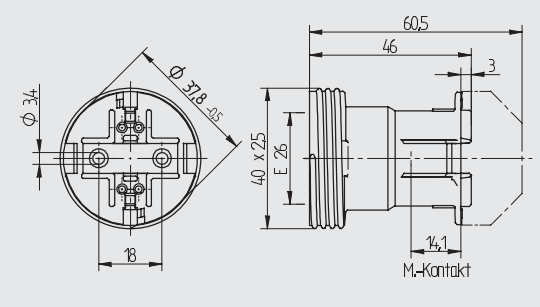



pkg. wt. part no.
250 18 g **22.317.6901.51**

Snap-in mounting
Screw mount
Housing: PET
cURus file no.: E-93328

- Threaded lugs
- Screw mount: for cheese head screws ISO 1207 - M4

150°C					660 W 250 V	CAD	i
	18 AWG	0.5 - 1.5 mm ²	ø max. 1.8 mm	18 AWG			[08] 3...

pkg. wt. part no.
250 20 g **22.318.6926.81**

Snap-in mounting
Screw mount
Housing: PET
cURus file no.: E-93328

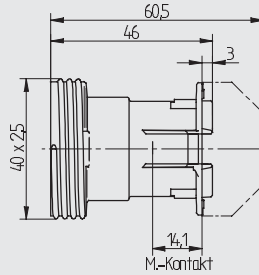
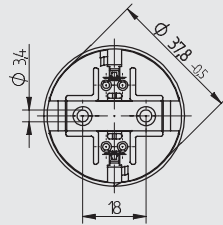
- Base ø: 37.8 mm
- Screw mount: for cheese head screws ISO 1207 - M3

150°C					660 W 250 V	CAD	i
	18 AWG	ø max. 1.8 mm	0.5 - 1.5 mm ²	18 AWG			[08] 3...

Incandescent Lampholders

E26 Medium Base

22.318



pkg. wt. part no.
250 20 g **22.318.6826.90**

- Molded Lampholders
- Snap-in mounting
- Screw mount
- Bayonet mount
- Housing: PPS
- cURus file no.: E-93328
- Base \varnothing : 37.8 mm
- Screw mount: for cheese head screws ISO 1207 - M3

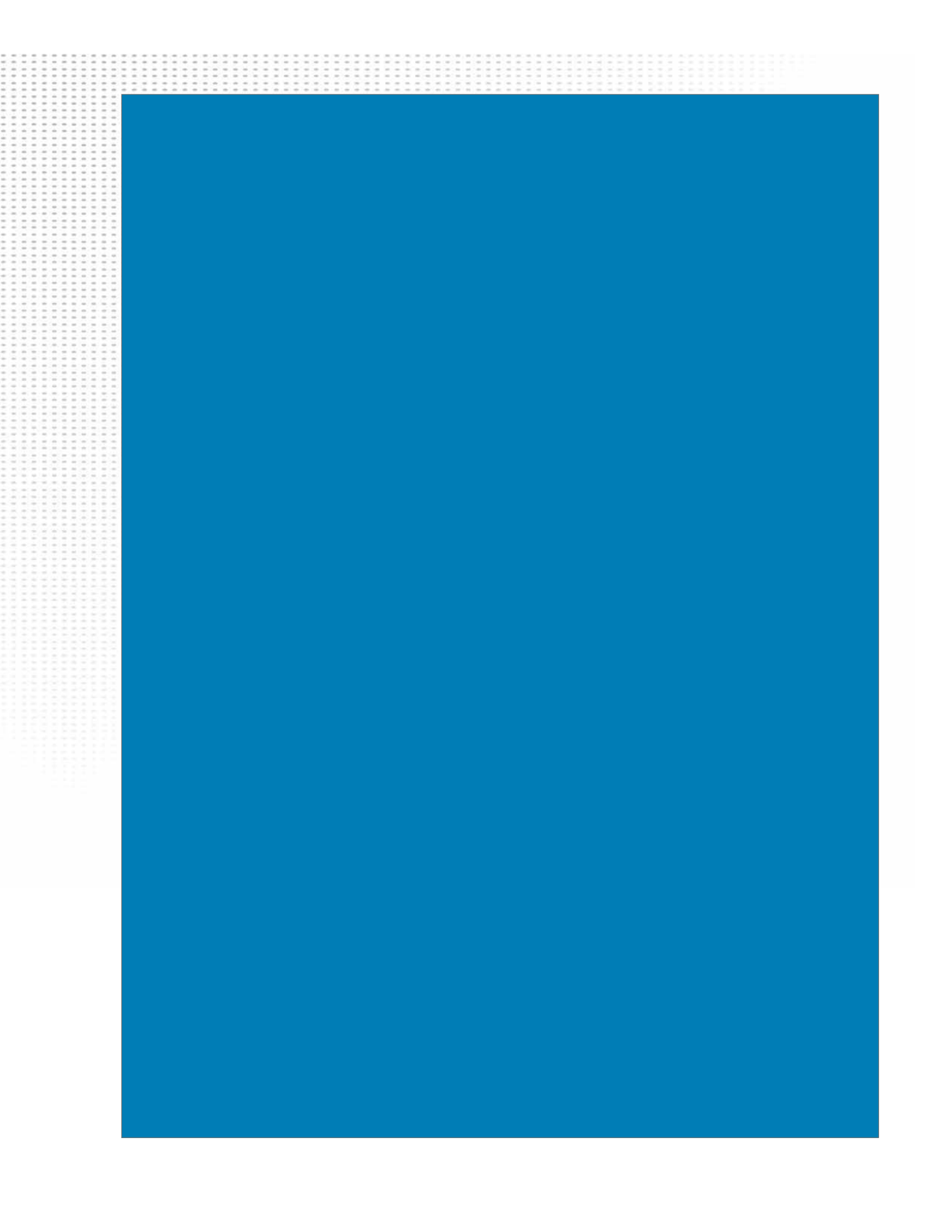
200°C					660 W 250 V	CAD	i
	\varnothing max. 1.8 mm	18 AWG	0.5 - 1.5 mm ²	18 AWG			[08] 3...



General information



Your Connection to Light



Index of part numbers



Reference	Catalog page	Reference	Catalog page
22.223	[08] 9	26.732	[01] 41-42
22.228	[08] 10	26.734	[03] 59
22.230	[08] 9	26.735	[03] 56-57
22.231	[08] 10	26.738	[03] 14-15
22.233	[08] 11	26.739	[03] 16
22.317	[08] 12	26.745	[03] 25-32
22.318	[08] 12-13	26.746	[03] 41-45
25.104	[07] 10	26.750	[03] 58
25.105	[07] 13	26.911	[01] 47
25.106	[07] 14	26.912	[01] 47
25.114	[07] 9	26.919	[01] 47
25.126	[07] 15	26.926	[01] 39
25.244	[07] 7-8	26.930	[03] 34
25.245	[07] 11-12	27.240	[02] 9-10, 14-16
25.246	[07] 14	27.241	[02] 9-10
25.701	[04] 9-10	27.660	[02] 11-13, 17
25.703	[04] 15	27.661	[02] 11
25.704	[04] 14	27.660	[02] 6-7
25.705	[04] 11-13	28.107	[05] 17
25.715	[04] 16	29.311	[04] 27
25.724	[04] 18	29.409	[04] 28
25.725	[04] 18	29.411	[04] 28
25.731	[04] 9	29.415	[04] 29
25.803	[06] 10	47.313	[05] 8-15
25.806	[04] 24-25	47.315	[05] 16
25.808	[04] 23-24, 26		
25.809	[04] 10		
25.810	[04] 22		
25.819	[06] 8-9		
25.822	[04] 17		
25.830	[06] 6		
25.834	[06] 6		
25.835	[04] 21		
25.836	[04] 19-20		
25.934	[06] 7		
26.290	[01] 8-9		
26.291	[01] 10-11		
26.292	[01] 12-13		
26.293	[01] 11, 13		
26.306	[01] 14-15		
26.307	[01] 19-20		
26.308	[01] 16-18		
26.310	[01] 18		
26.422	[01] 21-23		
26.431	[01] 23-25		
26.514	[01] 45		
26.515	[01] 46		
26.519	[01] 45		
26.607	[01] 43-44		
26.613	[01] 29		
26.620	[01] 26-28, 30		
26.640	[01] 38		
26.641	[01] 35-38		
26.642	[01] 40		
26.660	[01] 34		
26.661	[01] 31		
26.662	[01] 32-33		
26.665	[01] 33		
26.715	[03] 56		
26.716	[03] 55		
26.719	[03] 17-19, 22-24		
26.720	[03] 20-21		
26.721	[03] 17-18		
26.725	[03] 33		
26.726	[03] 37-41, 46-54		
26.727	[03] 35-36		

Properties of materials used for BJB products



Warning:

Certain chemicals may exist in end-user locations which may release airborne contaminants that can directly impact the integrity and safety of essential fixture components. Exposure of thermoplastics to different chemical combinations may result in significant damage such as crazing, cracking, arcing and mechanical failure. Products with visually noticeable deterioration have diminished integrity and must be replaced immediately with a more suitable product for the specific location.

The table below represents an overview of common chemical properties and varying thermoplastic resistances. This table is not intended to be all-inclusive, for additional information consult an authorized factory representative.

Insulating materials for lampholders

Thermal properties	Thermoplastic						
	PC	PBT	PET	PA	POM	PPS	LCP
Permissible continuous thermal stress in °C to the IEC standards for lampholders	up to 110°C	up to 180°C	up to 210°C	120°C*	approx. 85°C	up to 250°C	up to 270°C

*Limited temperature according to IEC 60598

Chemical properties							
Weak acids	+	+/0	0	-	+	+	+
Strong acids	0/-	-	0/-	-	0/-	-	0
Weak alkalies	-	0	0	+	+	+	+
Strong alkalies	-	-	0/-	-	+/0	-	0/-
Alcohol	0/-	+	+/0	+/0	+	+/0	+/0
Ketones	-	-	0/-	+	0	0	+
Esters	-	0	0/-	+	+/0	0	0
Ether	-	+	0	+	+	+/0	
Hydrocarbon chloride	-	+/-	0/-	+/0	+	0	
Benzol	-	0/-	+	+	0	0	
Cleaning benzin (aroma free)	+	+	+	+	+	+	+
Fuel mixes	0/-	+	+/0	+	+	+	+/0
Mineral oils	+/0	+	+	+	+	+	+
Animal and vegetable oils	+	+	+	+	+	+	

+ = resistant 0 = limited resistance - = not resistant

In applications the chemical resistance is dependent on many parameters, therefore this data can only be considered as recommended value.

Note:

Users should undertake sufficient verification and testing to determine the suitability for their own particular purposes of any information or products referred to herein.

Information on material for gaskets of waterproof lampholders for fluorescent lamps

Type	Oil resistance	Resistance to ozone- and weather	Continuous operating temperature	Resistance to chemicals
CR (Chloropren- /Chlorbutadien Rubber) "Neoprene", "Perbunan"	good	good	100°C	good
EPDM (Ethylen-Propylen-Dien-Copolymerisat Rubber)	moderate	good	130°C	good
Silicon (Methyl-Vinyl-Polysiloxan) "Silicone", "Silopren", "Silastic"	fairly good	good	220°C	moderate
SBR (Styrol-Butadien-Rubber) "Buna-Hüls", "Solprene"	moderate	fairly good	80°C	good-fairly good

Cable information



Technical properties

Properties	Insulation material				
	PVC	Silicone	FEP	PTFE, PFA	Glass silk
	Conductor material				
	Cu/Cu tin plated	Cu tin plated	Cu tin plated	Cu nickel plated	Nickel or Cu with 27% nickel plated
Temperature resistance					
	-30°C - +105°C	-60°C - +180°C	-100°C - +180°C	-190°C - +250°C	-60°C - +450°C
Thermal resistance	-	+	+	++	+++
Electrical strength	+	++	+++	+++	++
Mechanical strength	0	-	++	++	++
Chemical resistance	-	+	++	++	++
Notched charpy impact strength	-	-	+	+	++
Fracture strength, abrasion resistance	-	0	+	+	++
Abrasion	-	0	+	+	+
Flexibility	+	++	0	0	-
Weather-, ozone- and ageing resistance	-	+	+	+	+
Not inflammable	-	-	+	+	++
Halogen free	-	+	-	-	+
Light resistant (also UV)	-	0	+	+	+
Pyrolysis	-	-	-	-	+
Price	++	+	0	-	--
Applicability for ignition voltage	0	++	+	+	++
Usual characteristics (examples)					
Nominal cross section	0.5 mm ²	0.75 mm ²		1.0 mm ²	0.5 mm ²
Outer diameter	2 mm	2.4 mm	1.6-1.8 mm	1.8-2.0 mm	2.5 mm
Nominal voltage	300 V			300 / 600 V	

0 = adequate + = good ++ = better +++ = very good - = bad -- = very bad

In applications these properties are dependent on many parameters, therefore this data can only be considered as recommended value.


Comparison of AWG cross sections to metric cross sections for multi stranded, fine stranded and finest stranded wires

AWG	approx. mm ²
23	0.34
22	0.35
20	0.5
19	0.75
18	1
16	1.5
14	2.5
12	4
10	6

Types of protection against dust and water in accordance with VDE and IEC regulations (extract)



The types of protection for electrical products e.g. protection against foreign bodies, dust and water, are stated in the VDE standards and relevant publications issued by the IEC. For full details see IEC 60529 from which the following is an extract.

Symbol for luminaires according to IEC 60598	Type of protection according to IEC	Abbreviation according to IEC	Brief details of the degrees of protection	
			1st digit: protection against foreign bodies	2nd digit: protection against water
No symbol	Ordinary	IP 20	Fingers or similar objects not exceeding 80 mm in length. Solid objects exceeding 12 mm in diameter.	No special protection.
	Drip proof	IP 21	Fingers or similar objects not exceeding 80 mm in length. Solid objects exceeding 12 mm in diameter.	Dripping water (vertically falling drops) shall have no harmful effect.
	Rain proof	IP 23	Fingers or similar objects not exceeding 80 mm in length. Solid objects exceeding 12 mm in diameter.	Water falling as a spray at an angle up to 60° from the vertical shall have no harmful effect.
No symbol	Protected against solid objects greater than 1.0 mm	IP 40	Wires or strips of thickness greater than 1.0 mm. Solid objects exceeding 1.0 mm in diameter.	No special protection.
	Splash proof	IP 44	Wires or strips of thickness greater than 1.0 mm. Solid objects exceeding 1.0 mm in diameter.	Water splashed against the enclosure from any direction shall have no harmful effect.
	Dust proof	IP 50	Ingress of dust is not totally prevented but does not enter in sufficient quantity to interfere with satisfactory operation of the equipment.	No special protection.
	Dust and rain proof	IP 53	Ingress of dust is not totally prevented but does not enter in sufficient quantity to interfere with satisfactory operation of the equipment.	Water falling as a spray at an angle up to 60° from the vertical shall have no harmful effect.
	Dust and splash proof	IP 54	Ingress of dust is not totally prevented but does not enter in sufficient quantity to interfere with satisfactory operation of the equipment.	Water splashed against the enclosure from any direction shall have no harmful effect.
	Dust tight and jet proof	IP 65	No ingress of dust.	Water projected by a nozzle against the enclosure from any direction shall have no harmful effect.
	Dust tight and water tight (immersible)	IP 67	No ingress of dust.	Ingress of water in a harmful quantity shall not be possible when the enclosure is immersed in water under defined conditions of pressure and time.

Technical information for embodiment of our products



BJB lampholders are in accordance with IEC regulations and are designed to IEC 60061-2 publication.

Where no electrical data is stated then:

- according to IEC 60238 / VDE 0616 part 1, Edison lampholders E14 rated 250 V / 2 A conform to overload capacity category II, E27 rated 250 V / 4 A voltage and E40 conform to voltage overload capacity category III,
- according to IEC 60400 / VDE 0616 part 3 fluorescent lampholders and starter holders rated 250 V / 2 A conform to voltage overload capacity category II,
- Halogen lampholders designed according to IEC 60838 / VDE 0616 part 5, conform to voltage overload capacity category II,
- Bayonet lampholders according to the requirements IEC 61184 / VDE 0616 part 2 conform to voltage overload capacity category II,
- Lampholder outer threads conform to IEC 60399.

When regulations deviate from IEC, e.g. UL, other ratings may be possible. Please consult us before use.

Through our work with the relevant standardisation committees, we ensure our lampholders are developed and tested to the latest specifications.

All technical product drawings shown in this catalogue indicate only the main important dimensions and tolerance values. As a rule only where this is of importance for the intended application.

All measurements stated without tolerances are nominal.

Limit values are:

- DIN 16901, size 130 for moulded parts
- DIN ISO 2768-m for metal parts
- DIN 40680, medium for ceramic parts

Weights of single items stated in this catalogue are rounded up or rounded down to the nearest gram, therefore the final weight of a pack quantity may differ. The weights shown are only a guide and should not be used for order or shipping specification purposes.

The choice of product and correct technical embodiment in accordance with the corresponding regulations (e.g. IEC 60598 / VDE 0711, IEC 60335 / VDE 0700) is the sole responsibility of the user.

Specific attention must be given to:

- Temperature limits which must be observed in accordance with the corresponding regulations (e.g. T-markings);
- The necessary creepage and clearance distances as well as distances through insulation;
- The connecting cable and wires, which must have the correct heat and UV resistance, mechanical strength, voltage rating and a current carrying capacity corresponding to the conditions of the intended application;
- Protection against contact with live parts; Connectors, e.g. tab terminals, which must be selected in accordance with the requirements of their intended use (e.g. temperature, current carrying capacity, corrosion resistance);
- The influence of control gear, transformers, starters / ignitors and other circuit components, must always be taken into consideration.

The catalogue also contains technical information, to which attention must be paid during project development, construction and electrical installation or when operating lighting installations.

This information must be passed on, e.g. in an installation instruction.

To ensure snap fix products locate correctly and securely, consideration must also be given to the cut-out and where applicable, attention must be paid to special requirements (e.g. degree of burr, direction of punching, radii, etc.).

Consideration must also be given to the area required around the cut-out, to allow correct insertion. Different components may require to be inserted at different angles.

During fixing, it must be ensured that the fixing surface is correctly sized.

Information regarding light fitting wall thickness, should always be interpreted as inclusive of a coating, unless stated otherwise.

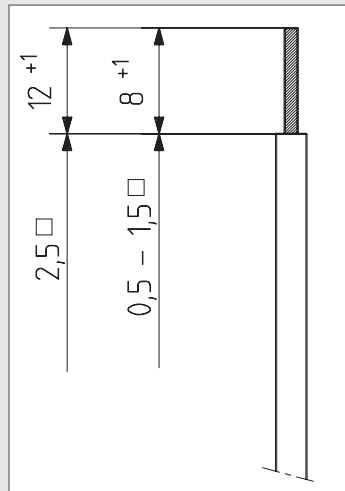
If there is a requirement for one of our products to be embodied in a way other than shown in our catalogue, please contact us.

Attention must also be given to the IEC lamp standards, as well as the technical instructions of the lamp manufacturers in respect of the embodiment and correct operation of lamp.

In accordance with our policy of continual product development and improvement, we reserve the right to make design modifications.

Due to the amount of information involved in compiling this catalogue, it is not always possible to avoid printer's errors or minor mistakes. Although every care is taken, BJB accepts no responsibility for the accuracy of the contents. If in doubt, or if you require confirmation of specific information, please contact us.

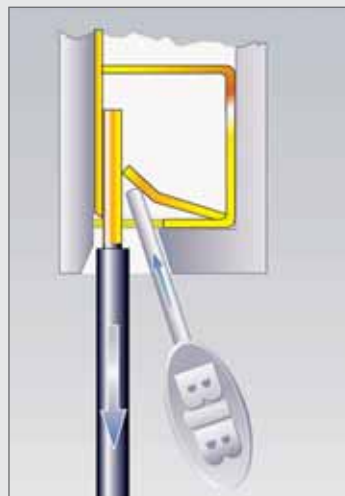
Edition 2010



Stripping of conductors

Pushwire contacts for solid core and tinned wires:
 0.5 - 1.5 mm² = 8 + 1.0 mm
 2.5 mm² = 12 + 1.0 mm

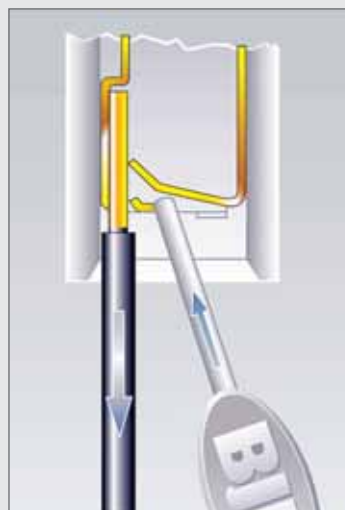
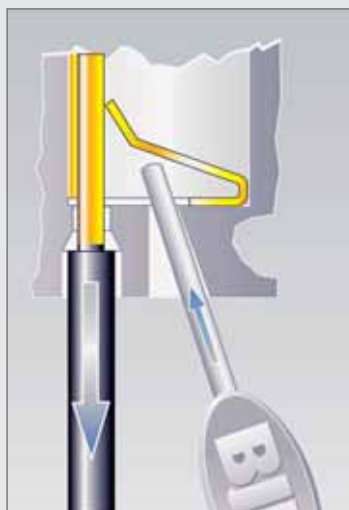
Should other terminations need to be used e.g. ferrules, you will find the relevant information in the product description.



Methods of releasing wires

Pushwire contacts with a key or oval hole in the housing:
 The release probe, which we can gladly provide upon request, is placed behind the conducting wire, thereby opening the leaf spring. The wire can be pulled out.
 (When pressing the leaf spring down, extreme care must be taken in order that the contact does not become distorted)*.

Simplest way:
 Pull out the release probe and the wire at the same time.



Pushwire contacts with a round hole or release slot in the housing:
 A release probe or screwdriver is inserted into the release slot and a slight pressure applied to the leaf spring (when pressing the leaf spring down, extreme care must be taken in order that the contact does not become distorted)*.
 The wire is easily removed.

* Under light fitting production conditions, we recommend not to use unassembled lampholders again.

BJB numbering system



	Product category	Product type	Running development number	Version	Colour/ Finish
Example	26.290.4012.50				
Position	1 + 2	3	4 + 5	6 - 9	10 + 11
	Fluorescent lampholders for indoor use	Push in and push through lampholders	Development of product type	without locating pin/ without starter holder	white
Position 1 + 2	Product category Lampholders			Switches / Terminal blocks / LED	Oven lamps*
	22 Moulded lampholders 24 Moulded bayonet type lampholders 25 Halogen lampholders and lampholders for discharge lamps	26 Fluorescent lampholders - indoor use 27 Fluorescent lampholders - water and dustproof 29 Porcelain lampholders		43 Switches 46 Terminal blocks 47 Connecting pieces LED - Lighting and connection technology 48 Terminal blocks without fuse 49 Terminal blocks with fuse	77 Complete assemblies * see catalogue for domestic appliances
Position 3	Product type				
	22.2 E12, E14, E17 22.3 E26, E27 22.5 Shade rings E14 22.7 Shade rings E27 22.9 Insulating caps 24.3 B22d 24.6 B22d 24.9 B22d 25.1 Low voltage halogen 25.2 Low voltage halogen 25.4 Low voltage halogen 25.7 Lampholders for discharge lamps 25.8 Lampholders for mains voltage halogen and for discharge lamps 25.9 Low voltage halogen 25.9 Accessories for low voltage Accessories for mains voltage Accessories for discharge lamps 26.1 Compact fluorescent lampholders 26.2 G13 Fluorescent lampholders	26.3 G13 Fluorescent lampholders 26.4 G13 Fluorescent lampholders 26.4 Accessories for fluorescent lampholders 26.5 Starter holders 26.6 G5 Fluorescent lampholders W4,3 x 8.5d Fluorescent lampholders 26.7 Compact fluorescent lampholders Circular fluorescent lampholders 26.7 Accessories for compact fluorescent lampholders 26.8 Fluorescent lampholders 26.9 Accessories for fluorescent lampholders Accessories for compact fluorescent lampholders		27.2 Water and dustproof lampholders 27.5 Water and dustproof starter holders 27.6 Water and dustproof lampholders 29.3 E26, E27 29.4 E40 29.9 Insulating caps 43.4 Rocker switches 46.2 Capacitor connectors 46.4 Terminal blocks Accessories for terminal blocks 46.9 Accessories for terminal blocks 47.3 LED-Connecting pieces 48.1 Terminal blocks 48.2 Terminal blocks 48.2 Connectors 48.3 Terminal blocks 48.5 Connectors 48.9 Accessories for connectors	49.1 Fused terminal blocks 49.2 Fused terminal blocks 49.3 Fused terminal blocks 49.5 Connectors 77.2 Oven lamps with lamp E14 77.7 Oven lamps with lamp E14, Oven lamps with lamp G4, Oven lamps with lamp G9, Accessories for oven lamps 77.9 Oven lamps with lamp E14, Oven lamps with lamp G4, Oven lamps with lamp G9, Oven lamps with lamp E26 78.7 Accessories for oven lamps
Position 10+11	Colours/ Finishes				
	10 Raw steel/ iron 12 Nickel plated 14 Zinc plated 18 Copper plated, nickel plated 21 Brass plated, nickel plated	23 Aluminium plated 50 white 51 Natural colour 55 Painted gold 76 Silvergrey		80 Black 81 Grey 83 Brown 84 Red 85 Uncoloured	88 Gold 90 Anthracite

