



LED-BRIDGING

Innovative connection technology for interchangeable LED systems



Your Connection to Light

LED-BRIDGING

Contents

Company history	4 - 5
LEDs for general lighting	6 - 7
The art of light design	8 - 9
The light that adjusts to any atmosphere	10 - 11
Small and efficient	12 - 13
Advantages of exchangeability	14 - 15
Shaping the future with a creative team	16 - 17
Standards for individual solutions	18 - 19
Advantages of push-wire connection	20 - 21
The perfect combination: LED bridging and BJB automation	22 - 23
BJB products at a glance	24 - 25
BJB products in detail	26 - 63
General information	64
BJB and its subsidiaries	65



We were already interested in the light of the future more than 100 years ago

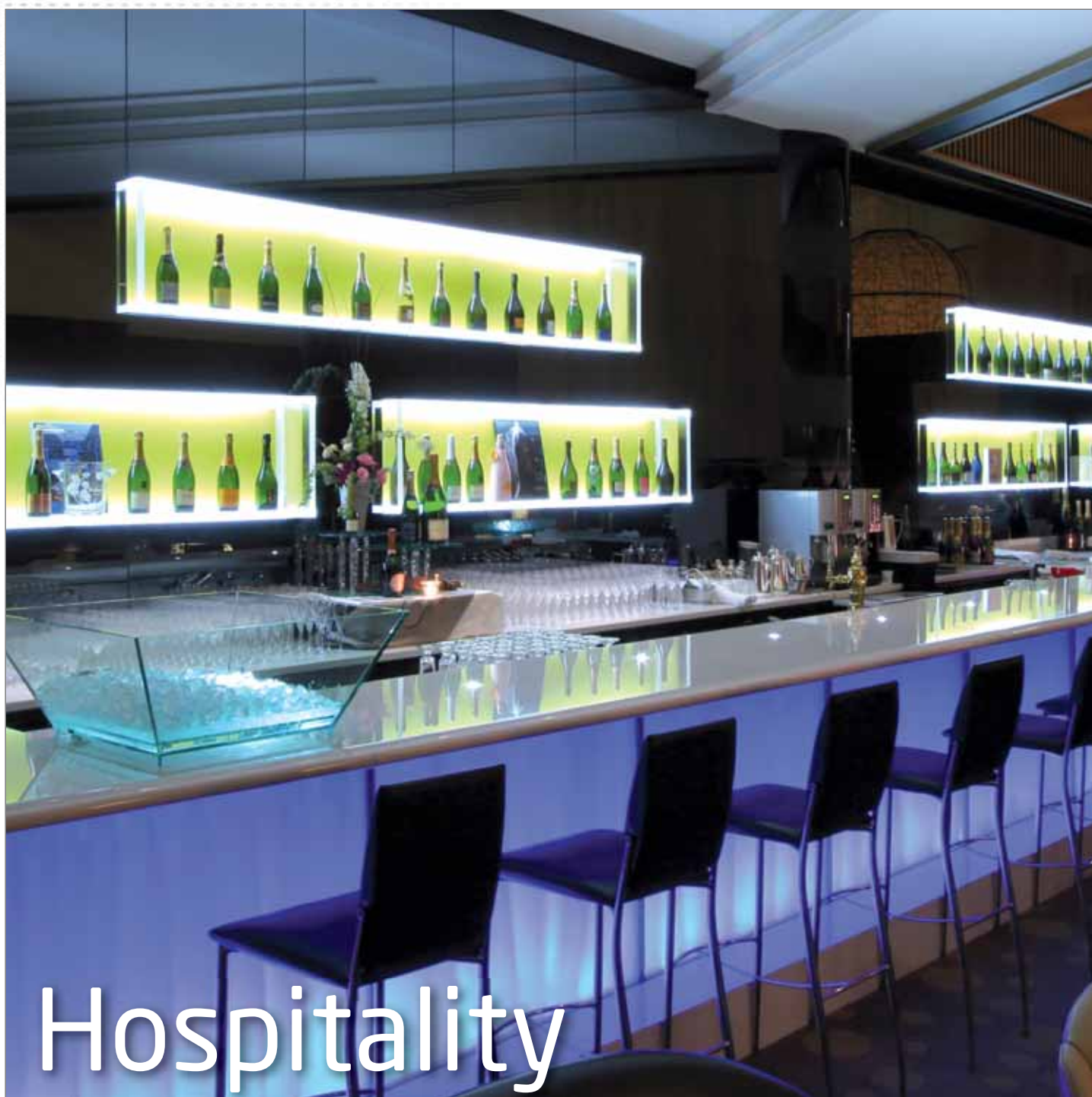
Our 140-year company history has always involved developing solutions for the "light of the future".

We began in 1867 in Arnsberg with the production of components for oil lamps. Logically, when the incandescent lamp established itself as the universal light source, we provided the electrical connection between the power source and the lamp. Today, we also develop and produce innovative, user-friendly lampholder and connector systems for LEDs, the light of the future.

We call our products "Your connection to light". But they are also your connection to the future – we will always retain our enthusiasm for new ideas.



Is the time now ripe for LEDs in
general lighting?



Hospitality

There is no doubt that the future belongs to LEDs. But so does the present to a large extent. Whether in streets and squares, homes and offices, department stores and boutiques, galleries and museums, concert halls and theatres, hospitals and medical practices – these tiny devices with their high power and low appetite for energy are already hard at work.

Efficient, reliable, low-maintenance and long-lasting. And our components ensure that each light receives the best, safest and fastest connection to the power source. Whatever form it takes. Whatever purpose it serves. Or from whichever manufacturer it comes.

We have the right solution for everyone



Outdoor



Industry

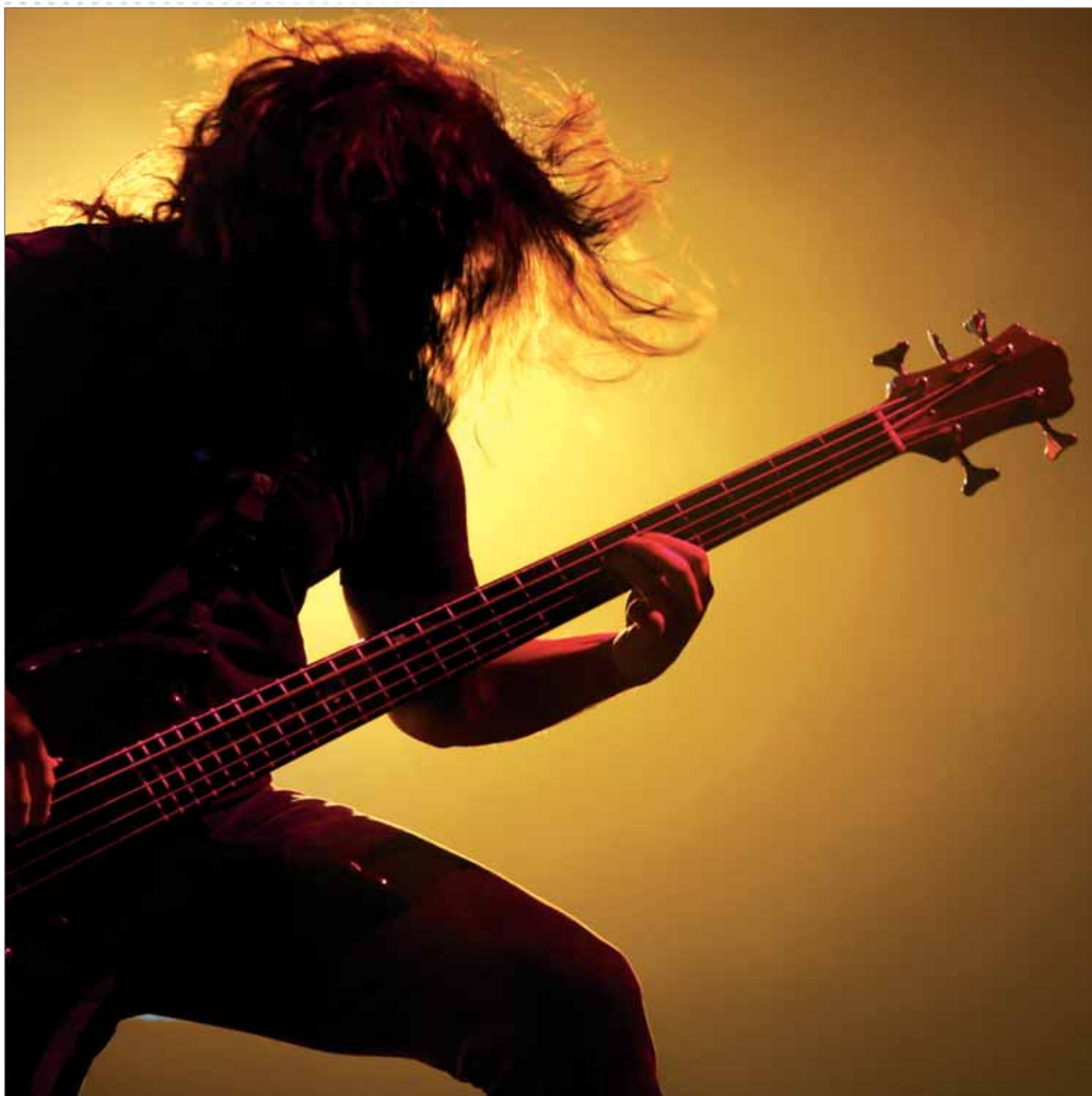


Office



Retail

LEDs rock the stage and protect old masters

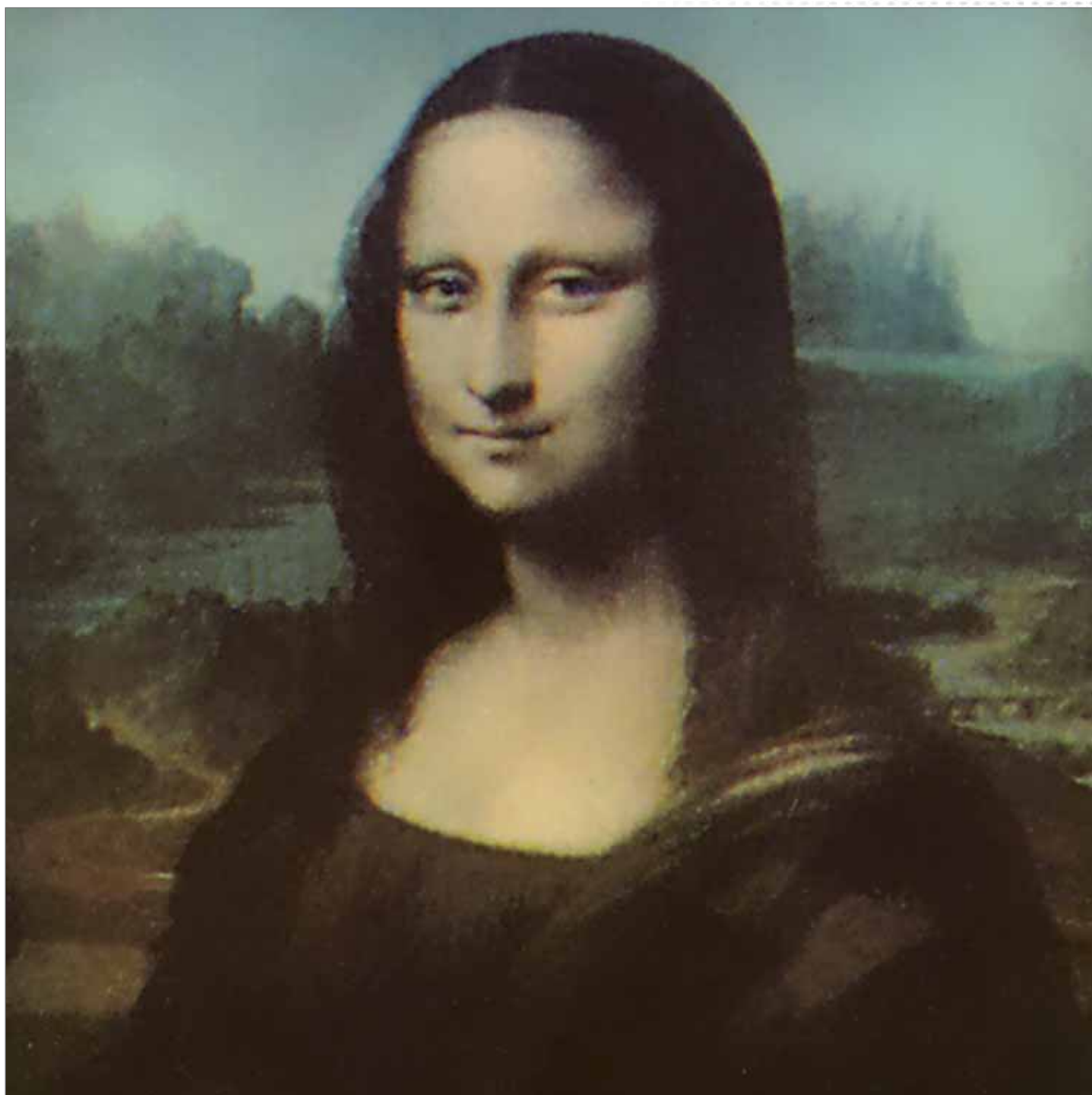


The art of light design – precise effects for art and culture. No show without light. This applies just as much to rock concerts as to theatrical performances. LED is the ideal lighting technology for exciting productions. Rapid light and colour changes, projection of images and films via video-capable

LED luminaires – there are almost no limits to the creative potential.

The situation for old masters in a museum is quite different, however – for example, there are very clear limits on infrared and ultraviolet radiation – not to mention excessive heat. LEDs have a significant advantage here.

The valuable works of art are perfectly presented – with light that remains cool and is free of radiation. And the LED luminaires themselves remain in the background, unobtrusive and virtually unseen.





LED - the light that adjusts to any atmosphere

Creative freedom indoors and outdoors

LED is a quick-change artist. The light can look cool or warm and appear white or coloured. On the roads, it can show directions and warn of dangers. Bright enough for nothing to be missed. Discreet enough for no-one to be dazzled or distracted. As simple

general lighting indoors, LED can ensure that space, objects and people are correctly and evenly illuminated. Or an individual lighting design can be used to create focal points. And outdoors, of course, LED can present places of interest in an even more interesting light, with small lamps

producing impressive lighting effects in public places.



Small...



...and efficient

LED bridging – saves energy and conserves resources

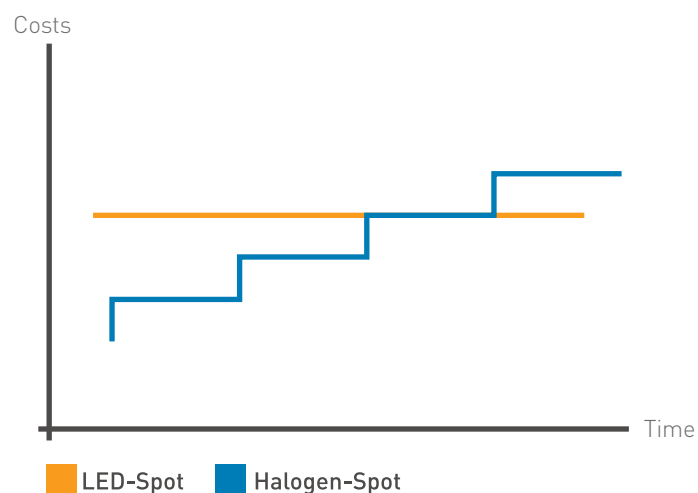
If one compares the efficiency of LEDs with that of other technologies, they emerge as the clear winners. Whereas conventional low-voltage halogen lamps provide a meagre light yield of approximately 20 lumen per watt, LEDs achieve 50 lm/w and the

high-power versions over 100 lm/w. Even higher values are obtained in the laboratory.

But that is not all. They also outshine their competitors easily with their long lifetime. While the outlook is gloomy for a fluorescent lamp after approximately 18,000 hours, an LED

lasts for more than 50,000 hours. In average use, this could mean almost two decades. What is more, two decades without lamp replacement or servicing.

LED – small and efficient





Quick replacement is preferable to permanent malfunction!

The good news: If it is necessary to replace an LED light source, this is very easy to do. In the case of single luminaires, it can be done very quickly and without the need for special tools. But why replace LEDs when they have such a long service life? Well, technical progress in this field is really taking giant strides. Should one wish to revise previous decisions, this should not be complicated. For example, new, more efficient generations of LEDs can be retrofitted easily. If other light colours are desired, the change can be made quickly and easily. With BJB lampholders and connectors, advantages offered by other light sources are also common in the world of LEDs.



Easy to install

- No special tool required
- As with previous systems, lampholder or connector is screwed on



Easy to maintain

- Quick and easy to replace in case of early failure/complaint
- No specialist personnel required
- Low maintenance costs



Long-term viability

- Luminaires can be retrofitted
- Use of more efficient LED modules
- Light colours can be changed



Impression of quality

- Modular design as a basic principle in complex systems
- Design suggestive of long life



Cost-efficient storage

- Module of choice can be fitted into a stock luminaire prior to despatch
- Latest generation of LED lamps can be used



Standardised interface

- Reliable
- Versatile
- Future-proof

LED - all well and good
But what about interchangeability?



Shaping the future...



...with a creative team

BJB combines the characteristics of an internationally operating company with those of a family business which is already being managed by the sixth generation of owners. Many of our employees stay with us for their entire working lives – from apprenticeship to retirement.

And because lifelong learning is a prerequisite for professional success nowadays, we offer them a variety of opportunities for continuous vocational training. This combination of knowledge, experience and loyalty is the basis for our success. But we do not rest on our laurels.

We are constantly considering what we can still do better and how we can maximise benefits to our customers. It is a good feeling to be the market leader. And we endeavour to maintain this position.



Standards for individual solutions...

Individuality is one thing. Functionality is another.

Because LED technology is developing at virtually the "speed of light" and more and more manufacturers are working with it, standards are necessary to enable the numerous advantages of modular design to be exploited. For this reason, an international group from the lighting industry has founded Zhaga (LED Light Engine Standardisation). The aim of Zhaga is to promote

quality and speed of innovation in LED lighting technology and to create the right conditions for the interchangeability of components. With this objective in mind, the consortium is defining the interfaces for many application-specific modules.

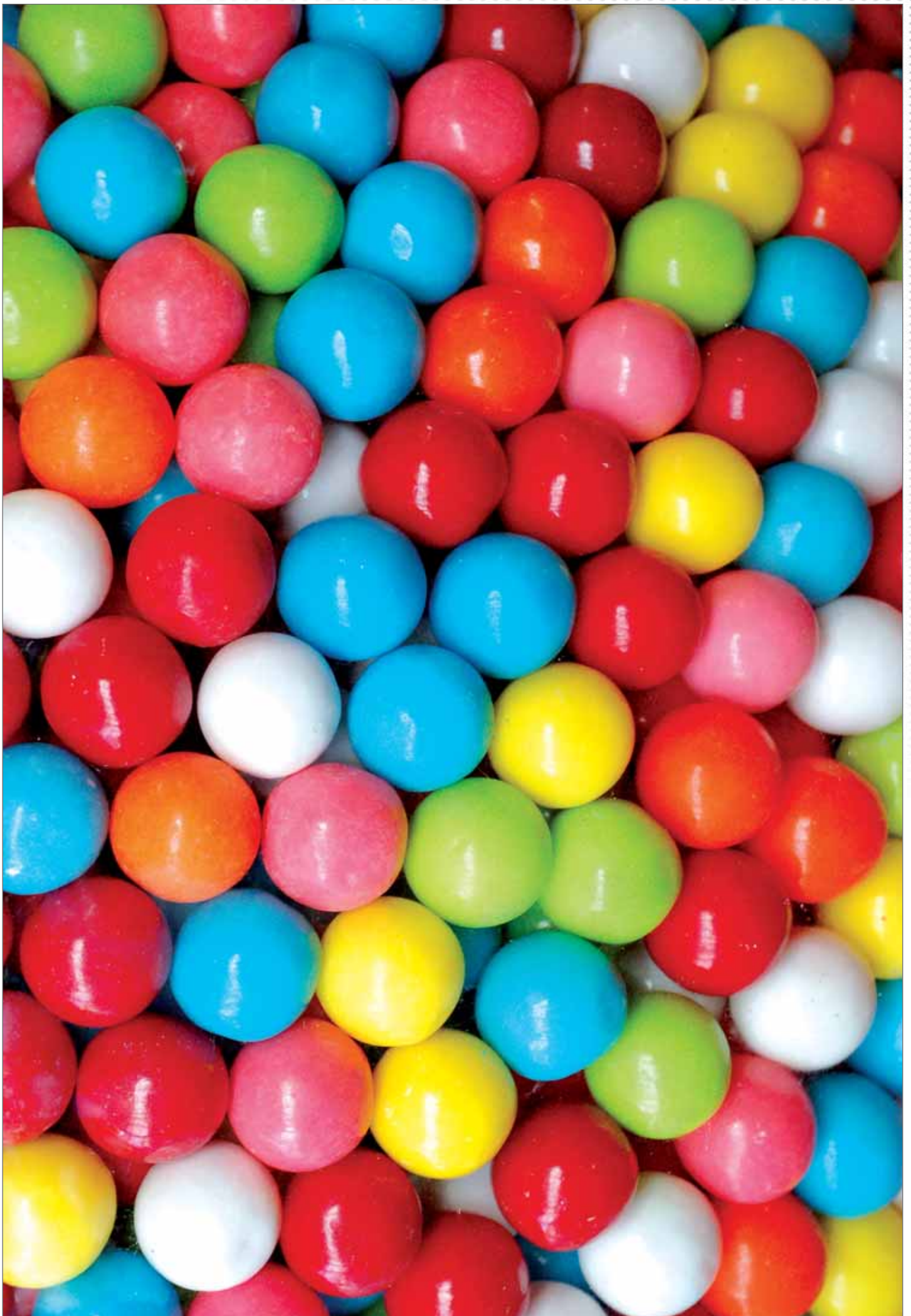
Zhaga standards define the physical dimensions as well as the photometric, electrical and thermal behaviour of the individual elements, no more, no

less. This prevents fragmentation of the market as a result of incompatible products and creates a secure future for both producers and consumers. The Zhaga group includes companies from the entire LED lighting industry, providers of LED modules and luminaires, as well as suppliers of components such as interfaces and lampholders, heat sinks and optics.

 Zhaga



...worldwide



Are you still soldering...



...or are you using push-wire contacts?

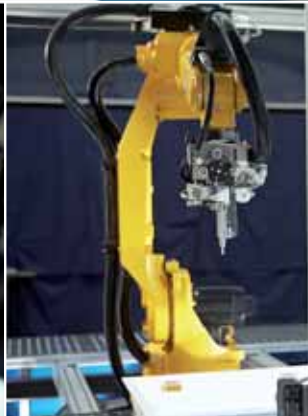
Push-wire connection technology has a lot of advantages.

A crucial point for the luminaire manufacturer: Soldering is not necessary. This means that there is no thermal stress to the components during assembly – and therefore no

waste. Logically, this also means the end of soldering fumes and pollution due to noxious substances. And because this technology consumes no electricity, resources are also conserved. The whole process is quick and easy – and, if BJB's automated

solutions are used, even more efficient. In accordance with usual BJB practice, push-wire technology was also used and perfected to ensure easy handling of components during the production process.





The perfect combination: LED-Bridging and BJB automation

Automation = rationalisation.
ADS stands for "Automatic Direct Wiring of Standard Components". This is the brand name of our innovative automated solutions for the lighting industry. We have been developing and producing these systems since 1995 to assist luminaire manufacturers in improving the speed and quality of their production processes.

The ADS programme consists of two series of machines for wiring luminaires – optionally equipped with stations for test and assembly work, an automatic machine for louvre assembly and offline programming systems. All LED connection components described in this catalogue can also be processed with our ADS systems. This is possible

because we also use tried-and tested push-wire connection technology for this purpose, and our wiring robots perform this to perfection.



Automation



ADS Basic



ADS Master L



ADS ONE 2.0
Automatically more efficiency

One can build up good connections through years of work or order them direct from BJB today.

LED-bridging meets all requirements of the modern lighting industry

We can make our "Connection to light" specifically for each product and each manufacturer. Quickly, safely and cost-effectively. LED-bridging is more than the adaptation of conventional lampholder systems to a new light source. With our solutions, we want to address the considerably more complex technical

properties of LEDs in their various forms and are therefore offering four groups of systems from the outset: LED-c-Line is a series of connectors for rapid connection by means of screws and push-wire contacts. LED-L-Line are lampholders for LED light engines and modules. LED-e-Line are LED light engines and LED-o-Line are connectors for OLED modules.

Result in all cases: Fully developed, cost-effective BJB components standardise and facilitate the design and production of LED-based general lighting in all fields.



Your Connection to Light



28.203.8101

LED-e-LINE



Book 2: Socketable LED light engine with integrated control gear (65mm base)



Socket PHJ65d 28.107.2001 28.107.2002

LED-L-LINE

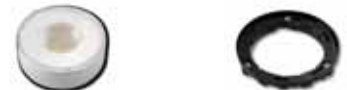
Socketable LED light engine with integrated control gear (85mm base)



Socket PHJ85d 28.108.2001 28.108.2002

LED-L-LINE

Compact socketable LED light engine with integrated control gear



Socket GH76p 28.301.xxxx

LED-L-LINE



LEL-FW6N/FW6L 26.750.1004
Socket GX53-1 26.750.1005

LED-L-LINE



Socket GX16t-5



28.201.xxxx 28.202.xxxx

LED-L-LINE



The Magic of Light



ES-series RS-series ES-Star
47.315.4006 47.315.21xx 47.313.1001

LED-C-LINE



CL-L102 CL-L104
CL-L103

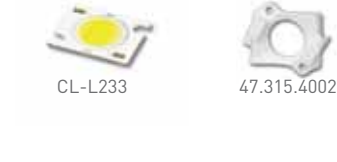


47.318.1100
47.315.1002 47.315.1401

LED-C-LINE



CL-L233



47.315.4002

LED-C-LINE



CL-L 030 CL-L 040



47.315.4009 47.315.4005

LED-C-LINE

CREE



CXA2011



47.315.4011

LED-C-LINE

NICHIA



COB-L



47.316.3001

LED-C-LINE

SHARP



MegaZen



47.315.4001

LED-C-LINE

CREE



XLamp XP-E/C



47.313.5201

LED-C-LINE

CREE



XLamp XR-E/C



47.313.5101

LED-C-LINE

EDISON



Edison EdiPower



47.313.1000

LED-C-LINE

LUXEON
BY LUMILEDS



Side Emitter LEDs



47.313.1900

LED-C-LINE

LUXEON
BY LUMILEDS



LUXEON® Rebel



47.313.2401

LED-C-LINE

OSRAM
Opto Semiconductors



OSRAM DRAGON-X



47.313.1101

LED-C-LINE

SEOUL SEMICONDUCTOR



Z-Power P4



47.313.5001

LED-C-LINE

Conductors



47.302.2001



47.342.2003



47.342.3001

LED-C-LINE

OSRAM
Opto Semiconductors



ORBEUS



47.401.1001

LED-C-LINE

Task said, task done.

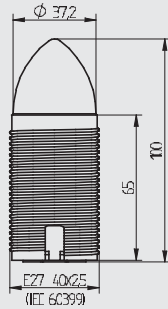
LED Light Engine with E27-threaded barrel and integrated electronic ballast

This is the solution for Residential and Hospitality. A theft-proof system which implements high-quality LED-technology into existing lighting constructions with Edison-lamp base or CFL-lampholder.

With 6 Watt, a luminous flux of 500 lm and 25.000 hrs. life-expectancy, our BJB LED E-Line is a real alternative when conventional light sources are not desired. Further data: Colour-temperature 3.000 K, colour-rendering Ra > 80, voltage 220 - 240 V, 50 - 60 Hz, 100 percent light immediately when switched-on. Benefits: BJB standard-accessory parts for E27 such as Insulation caps 22.917 and thread-rings 22.702 can still be used.



LED  LINE



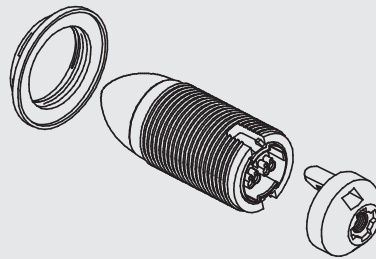
pkg.	wt.	part no.
20	143 g	28.203.8101.50

Snap in fixing for insulation caps

Housing: Aluminium

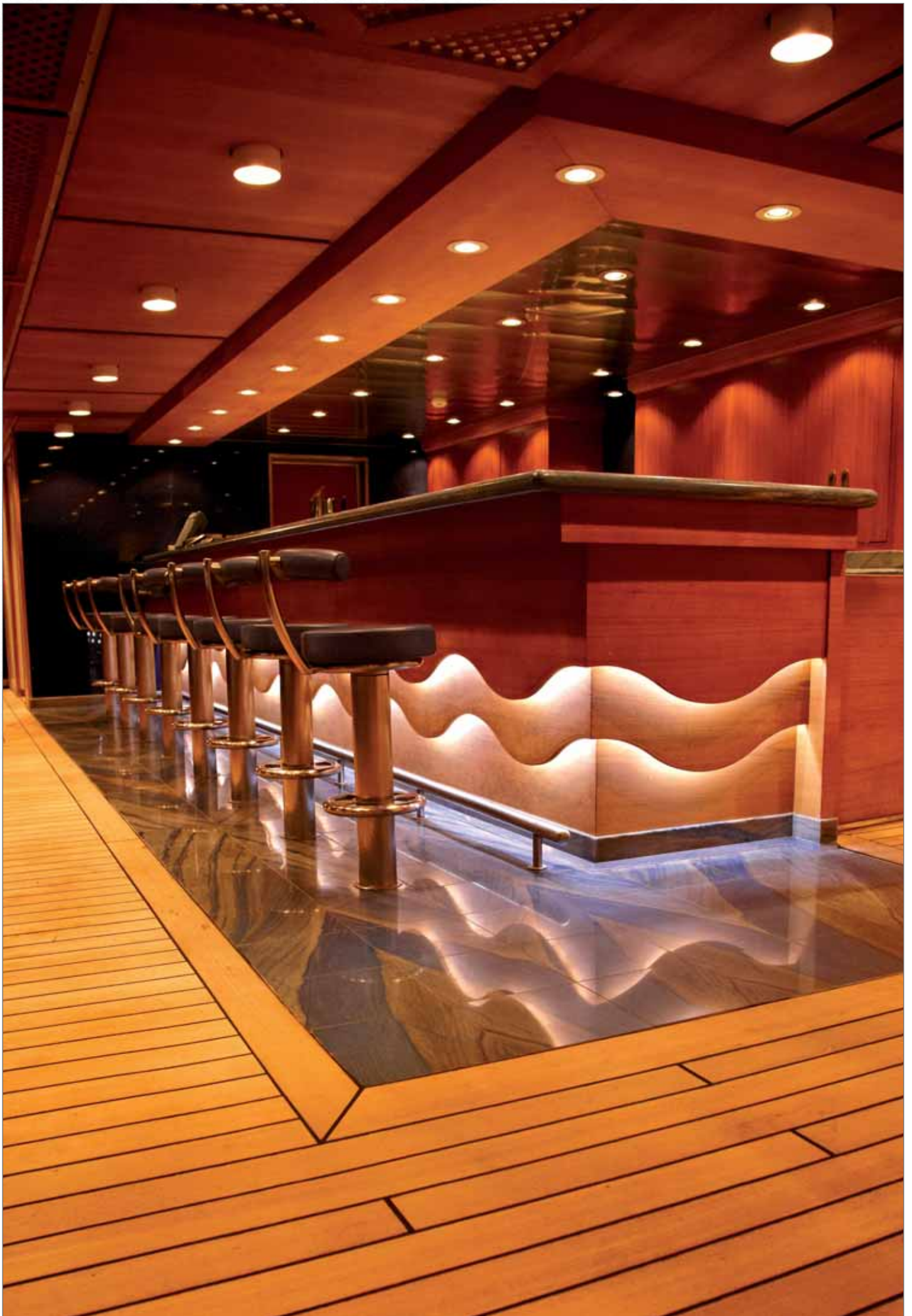
- Application area: As replacement for compact fluorescent lampholders e.g. G24 and incandescent lampholders e.g. E27 in combination with a lampholder with an outer thread and snap in fixing
- Supply voltage: 220-240V
- Power frequency: 50-60Hz
- LED service life: 25,000 hours (at least 70% light)
- Luminous flux: 500 lm
- Power rating: 6W
- Colour temperature: 3000 K
- Colour rendering: RA>80
- Protection class: II
- Tc (Marking at rim of aluminium housing): max. 70 ° C
- CE - marking
- Standard BIB accessories for E27 can be used
- Not to be combined with insulating caps 22.917.-301 and 22.960.-303.

Find accessories on page: [10] 38-43



Example of application: LED-e-Line with E27 insulating cap and shade ring

				6 W	CAD	i
0.5 - 1.5 mm ²	max. ø 1.8 mm			3000 K		100...



Lampholders for LED modules



These lampholders for LED modules have many advantages. They are only fixed with screws. No soldering is required. And, as is usual with BJB, the push-wire contacts provide easy

wiring possibilities. Reliable thermal management ensures long-term operation. Finally, LED modules are quick and easy to replace, if necessary.



The advantages at a glance:

- Reliable thermal management for long-term operation
- No soldering, fixed with screws
- Quick wiring through push-wire contacts
- Simple replacement of LED modules

LED & ADS

LED components from BJB are almost always ADS-compatible. Like all other components, they can be wired automatically with ADS systems.

DLM

The twist with LED



LED and general lighting. With this system it's quite simple.

Luminaire manufacturers do not only expect fully developed lighting technology solutions, but also easy component handling.

With LED downlight modules with socket PHJ65d and PHJ85d, which were developed in cooperation with BJB, these requirements are met in full. As a component supplier, we want to help our customers bring long-term, viable products onto the market more quickly.

More flexibility, more efficiency, less effort.

The main advantage of this solution: DLM's can be replaced just as easily as any conventional light source.

The appropriate BJB lampholder is quite simply attached with three screws to the heat sink on the luminaire side. Wiring is via tried-and-tested push-wire contacts. The modules snap in with a definite "click" and the locking mechanism ensures permanently good heat dissipation from the light source to the heat sink.

Where can this system be used?

Because of its design, this combination of lampholder and light source is especially suitable for compact applications such as downlights. In offices and administrative buildings, public buildings such as cinemas, theatres, museums and galleries, in hotels and restaurants or in the retail sector: These are all suitable locations for the LED downlight modules Twistable with BJB base.

Our proposal: We would be pleased to assist you with your design work and to provide you with samples and further information. Cooperate with us in developing future applications in professional lighting.

Push



Twist



Illuminate

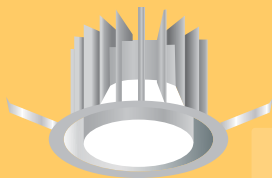


The advantages at a glance:

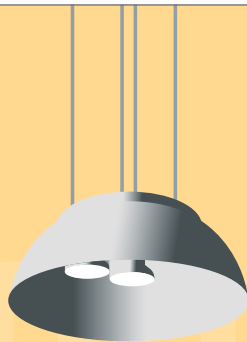
- Practical bayonet connection. The LED module twists in and releases easily
- Light source snaps in with a "click"
- Rapid wiring through push-wire contacts
- Constant contact pressure for optimum heat transmission between LED module and heat sink

Be prepared for anything

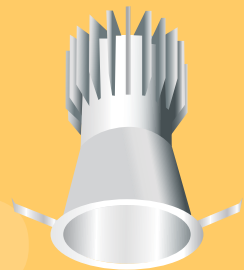
Examples of indoor applications



Downlight



Pendant luminaire



Downlight

Examples of outdoor applications



Floor lighting

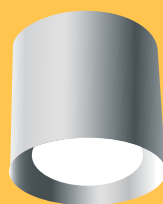
Street lighting



Light column

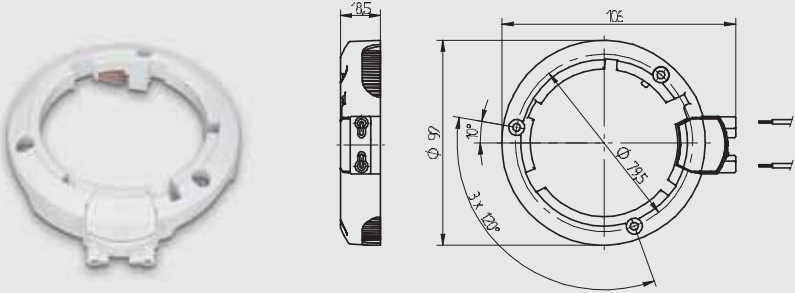


Ceiling lighting



Lampholder for LED light sources PHJ65-d -  Zhaga certified





pkg. wt. part no.
68 25 g **28.107.2001.50**

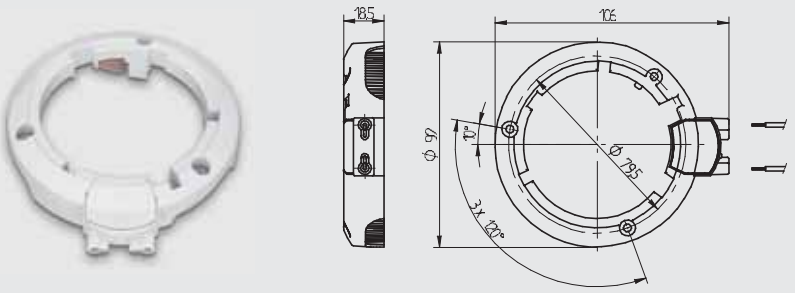
Screw fixing
Housing: PBT
Contacts: CuSn
Key: PHJ65d-I for LED light engines 100-120 V AC

- Screw fixing: for screws M3
- Insertion guide for the LED module (edge around circumference of lampholder)
- Closed form reduces penetration of dust and dirt. This has a positive effect on the temperature and life time of the module.
- Reflector interface - A reflector can be snapped on easily.

2 A
250 V

CAD

i



pkg. wt. part no.
68 25 g **28.107.2002.50**

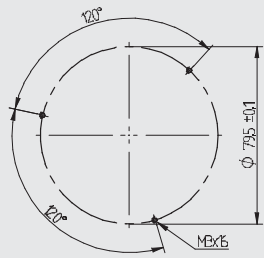
Screw fixing
Housing: PBT
Contacts: CuSn
Key: PHJ65d-II for LED light engines 230-277 V AC

- Screw fixing: for screws M3
- Insertion guide for the LED module (edge around circumference of lampholder)
- Closed form reduces penetration of dust and dirt. This has a positive effect on the temperature and life time of the module.
- Reflector interface - A reflector can be snapped on easily.

2 A
250 V

CAD

i





pkg. wt. part no.
72 29 g **28.108.2001.50**

Screw fixing
Housing: PBT
Contacts: CuSn
Key: PHJ85d-I for LED light engines 100-120 V AC

- Screw fixing: for screws M3
- Insertion guide for the LED module (edge around circumference of lampholder)
- Closed form reduces penetration of dust and dirt. This has a positive effect on the temperature and life time of the module.
- Reflector interface - A reflector can be snapped on easily.

LED-LINE

0.5 - 1.0 mm² | 0.5 - 1.5 mm²

2 A
250 V

CAD

i

100...

pkg. wt. part no.
72 29 g **28.108.2002.50**

Screw fixing
Housing: PBT
Contacts: CuSn
Key: PHJ85d-II for LED light engines 230-277 V AC

- Screw fixing: for screws M3
- Insertion guide for the LED module (edge around circumference of lampholder)
- Closed form reduces penetration of dust and dirt. This has a positive effect on the temperature and life time of the module.
- Reflector interface - A reflector can be snapped on easily.

LED-LINE

0.5 - 1.0 mm² | 0.5 - 1.5 mm²

2 A
250 V

CAD

i

100...



Lampholders for Toshiba E-Core LED light engines



BJB lampholders for the extended LED range from Toshiba.

With E-Core LED lamps from Toshiba, you can implement professional LED solutions in general lighting. There are currently three different systems available for this purpose: The E-Core GX53-1 lamp series, the E-Core LED light engine and the E-Core LED tube lamp. Here too, changing a lamp is just as easy as with conventional systems. The lampholders are quick to install

and, due to their mechanical design, ensure good thermal management. The electrical connection is achieved via the familiar, tried-and-tested push-wire technology, so that these systems are also suitable for robotic wiring.

Where can these systems be used?

With the numerous versions available, the E-Core solutions from Toshiba are suitable for almost all areas of application. The range of possibilities

includes offices and administrative buildings, public buildings such as cinemas, theatres, museums and galleries, hotels, restaurants and shops, as well as outdoor lighting applications. And our lampholders are designed to be very easily integrated into existing production processes.

TOSHIBA
Leading Innovation >>>

E-CORE™
GH76p LED Light Engine



E-CORE™
GX53-1 LED Light Engine




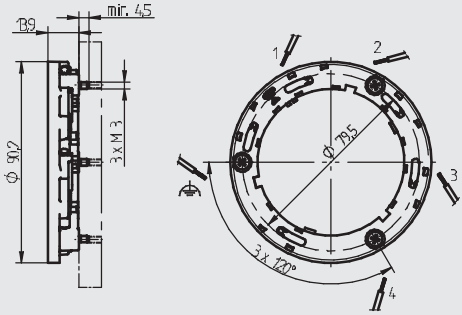
E-CORE™
GX16t-5 LED Tubular Lamp



The advantages at a glance:

- Varied LED range
- Simple replacement of LED modules
- Rapid wiring through push-wire contacts




pkg. wt. part no.
144 20 g **28.301.1001.90**

Screw fixing
Material: PPS/PC
Key: GH76p-I for LED light engines 100-120 V AC

- Lampholder is delivered fully assembled with M3 fixing screws included
- Screw fixing holes M3 recommendation: sharp-edged without countersink
- Torque recommendation: 0.5 - 0.6 Nm
- Screws are equipped with a one time loosening protection. After disassembly and a second assembly, the user is responsible for loosening protection
- Marking of contacts: 1. Neutral 2. Phase 3. Dim 4. Dim 5. Functional ground


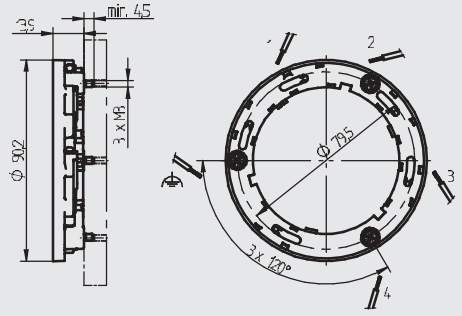


2 A
250 V

CAD

i


100...

pkg. wt. part no.
144 20 g **28.301.1002.90**

Screw fixing
Material: PPS/PC
Key: GH76p-II for LED light engines 220-277 V AC

- Lampholder is delivered fully assembled with M3 fixing screws included
- Screw fixing holes M3 recommendation: sharp-edged without countersink
- Torque recommendation: 0.5 - 0.6 Nm
- Screws are equipped with a one time loosening protection. After disassembly and a second assembly, the user is responsible for loosening protection
- Marking of contacts: 1. Neutral 2. Phase 3. Dim 4. Dim 5. Functional ground


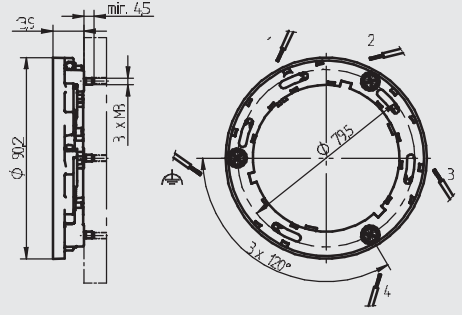


2 A
250 V

CAD

i


100...

pkg. wt. part no.
144 20 g **28.301.1005.90**

Screw fixing
Material: PPS/PC
Key: GH76p-5 for LED light engines 100-277 V AC

- Lampholder is delivered fully assembled with M3 fixing screws included
- Screw fixing holes M3 recommendation: sharp-edged without countersink
- Torque recommendation: 0.5 - 0.6 Nm
- Screws are equipped with a one time loosening protection. After disassembly and a second assembly, the user is responsible for loosening protection
- Marking of contacts: 1. Neutral 2. Phase 3. Dim 4. Dim 5. Functional ground



2 A
250 V

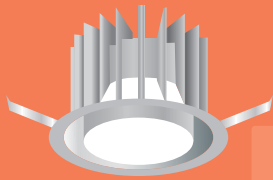
CAD

i

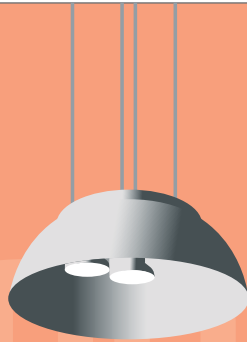
100...

Be prepared for anything

Examples of indoor applications



Downlight



Pendant luminaire



Downlight

Examples of outdoor applications



Floor lighting

Street lighting



Light column



Ceiling lighting





pkg.	wt.	part no.
100	8 g	26.750.1004.51

For LED Light Engine from Toshiba
Screw fixing
Housing: PC
Approval: additional cURus (660W / 600V) + PSE (1A/300V)

- For cheese head screws ISO 1207 - M3

T 100

CAD

i

100...

pkg.	wt.	part no.
100	8 g	26.750.1005.51

For LED Light Engine from Toshiba
Screw fixing
Housing: PC V0
Approval: additional cURus (660W / 600V) + PSE (1A/300V)

- For cheese head screws ISO 1207 - M3

T 100

CAD

i

100...

GX16t-5 Lampholder for E-Core LED Light Engine from Toshiba



<p style="text-align: center;">*L1 +22mm: Recommended dimension is based on use of one lampholder with spring and one lampholder without spring. The final distance should be governed by the dimensions of the respective lamps and luminaires.</p>	<table border="0"> <tr> <td>pkg.</td> <td>wt.</td> <td>part no.</td> </tr> <tr> <td>500</td> <td>5 g</td> <td>28.202.1001.50</td> </tr> </table> <p>Power input side Snap in pins Housing: PBT Rotor: PBT Lampholder thickness: 10.5 Wiring: through the body</p>	pkg.	wt.	part no.	500	5 g	28.202.1001.50
pkg.	wt.	part no.					
500	5 g	28.202.1001.50					

LED-LINE		0.5 -1.0 mm ²	0.5 - 1.1	1 A 250 V	90°	CAD	i	100...
----------	--	--------------------------	-----------	--------------	-----	-----	---	--------

<p style="text-align: center;">L1 +22: Recommended dimension is based on use of one lampholder with and one lampholder without spring. The final distance should be governed by the dimensions of the respective lamps and luminaires.</p>	<table border="0"> <tr> <td>pkg.</td> <td>wt.</td> <td>part no.</td> </tr> <tr> <td>500</td> <td>5 g</td> <td>28.201.1001.50</td> </tr> </table> <p>Functional earth side Snap in pins with spring Housing: PBT Rating: 0.5A/120VDC (PSE Jet) Lampholder thickness: 10.5 Wiring: through the body</p>	pkg.	wt.	part no.	500	5 g	28.201.1001.50
pkg.	wt.	part no.					
500	5 g	28.201.1001.50					

LED-LINE		0.5 -1.0 mm ²	0.5 - 1.1	1 A 250 V	CAD	i	100...
----------	--	--------------------------	-----------	--------------	-----	---	--------


<p style="text-align: center;">*L1 +22mm: Recommended dimension is based on use of one lampholder with spring and one lampholder without spring *L1 +24mm: Recommended dimension is based on use of both lampholders without spring. The final distance should be governed by the dimensions of the respective lamps and luminaires.</p>	<table border="0"> <tr> <td>pkg.</td> <td>wt.</td> <td>part no.</td> </tr> <tr> <td>500</td> <td>5 g</td> <td>28.202.1002.50</td> </tr> </table> <p>Power input side Snap in pins with spring Housing: PBT Rotor: PBT Lampholder thickness: 10.5 Wiring: through the body</p>	pkg.	wt.	part no.	500	5 g	28.202.1002.50
pkg.	wt.	part no.					
500	5 g	28.202.1002.50					

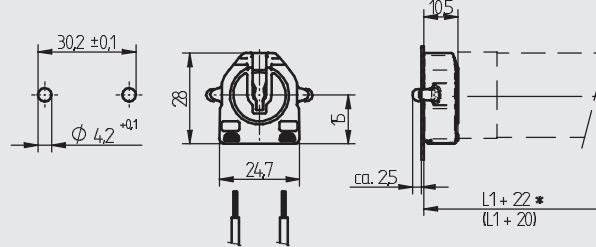
LED-LINE		0.5 -1.0 mm ²	0.5 - 1.1	1 A 250 V	90°	CAD	i	100...
----------	--	--------------------------	-----------	--------------	-----	-----	---	--------

GX16t-5 Lampholder for E-Core LED Light Engine from Toshiba






		pkg. wt. part no. 500 5 g 28.201.1002.50
--	--	--






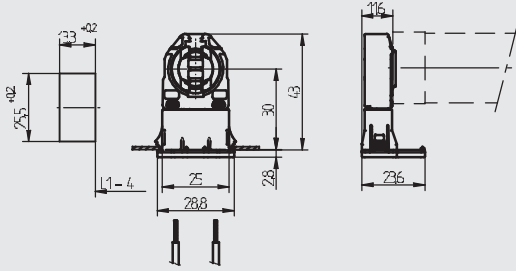
Functional earth side
Snap in pins
Housing: PBT
Rating: 0.5A/120VDC (PSE Jet)
Lampholder thickness: 10.5
Wiring: through the body

*L1 +22mm: Recommended dimension is based on use of one lampholder with spring and one lampholder without spring
*L1 +20mm: Recommended dimension is based on use of both lampholders without spring. The final distance should be governed by the dimensions of the respective lamps and luminaires.

LED-O-LINE				1 A 250 V	CAD	i	100...
		0.5 - 1.0 mm ²	0.5 - 1.1				

		pkg. wt. part no. 500 5 g 28.202.2030.50
--	--	--


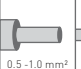
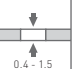





Power input side
Lamp centre: 30 mm
Push fixing
Housing: PBT

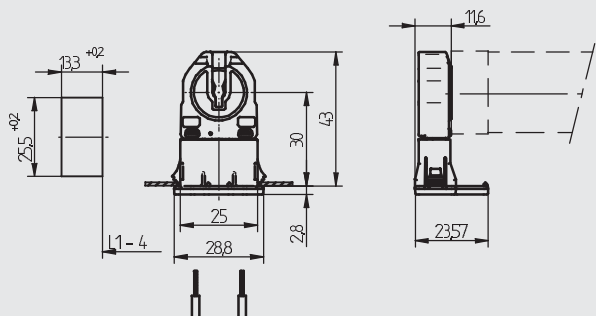
- For enclosed cut-outs 25.5 x 15.3 mm
- A pair of lampholders provides a lamp length tolerance compensation of 3 mm

L1-4: Recommended dimension - The distance between the cut-outs and the tolerance should be governed by the dimensions of the respective lamps and luminaires.

LED-O-LINE				1 A 250 V	CAD	i	100...
		0.5 - 1.0 mm ²	0.4 - 1.5		90°		

		pkg. wt. part no. 500 5 g 28.201.2030.50
--	--	--








Functional earth side
Lamp centre: 30 mm
Push fixing
Housing: PBT
Rating: 0.5A/120VDC (PSE Jet)

- For enclosed cut-outs 25.5 x 15.3 mm
- A pair of lampholders provides a lamp length tolerance compensation of 3 mm

L1-4: Recommended dimension - The distance between the cut-outs and the tolerance should be governed by the dimensions of the respective lamps and luminaires.

LED-O-LINE				1 A 250 V	CAD	i	100...
		0.5 - 1.0 mm ²	0.4 - 1.5				

Tool-free fixing

LED-LINE

LED-boards connectors for snap-fixing in the panel

This connector consists of a housing with a standard push-wire contact and metal spring-construction, which snap-fixes **tool-free** into the panel of the luminaire housing. The connector is suitable for the LED Citizen CLL104, which can be mounted easily with this connector, whereby a defined mounting pressure at the same time ensures the heat-dissipation.



47.318 connector
with COB CL-L104 from Citizen

LED & ADS

LED components from BJB are almost always ADS-compatible. Like all other components, they can be wired automatically with ADS systems.

LED - Lighting and connection technology

47.318

Push in connector for COB light sources



pkg. wt. part no.
336 6 g **47.318.1100.50**

Connector for LED light source CL-L104 from Citizen

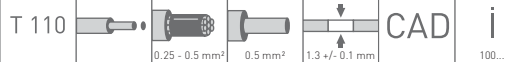
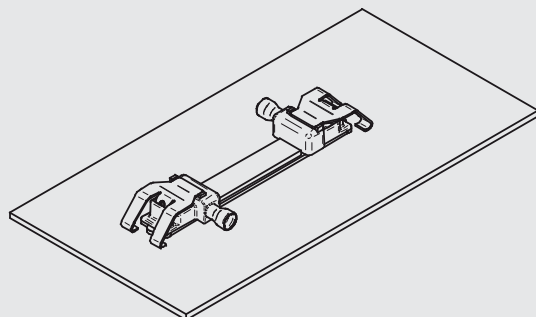
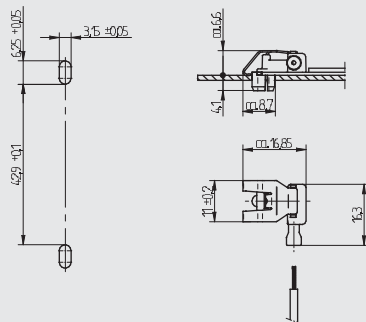
Snap in pins

Housing: PBT

Contacts: CuSn

Rating: 3A / 150 VDC

- For easy fixing of COB's - No tools required!
- Panel thickness: 1.3 ± 0.1 mm surface coating included
- Strip length: 8+1 mm
- Polarity of LED must be observed
- Specifications of LED manufacturer must be observed



COB connectors



These connectors for LED modules have many advantages.

They are only fixed with screws. No soldering is required. And, as is usual with BJB, the push-wire contacts

provide easy wiring possibilities. Reliable thermal management ensures long-term operation. Finally, LED modules are quick and easy to replace, if necessary.



The advantages at a glance:


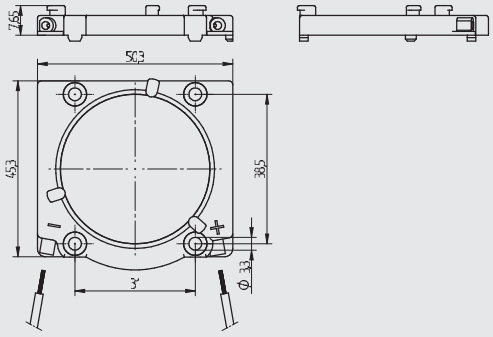
- Reliable thermal management for long-term operation
- No soldering, fixed with screws
- Quick wiring through push-wire contacts
- Simple replacement of LED modules

LED & ADS

LED components from BJB are almost always ADS-compatible. Like all other components, they can be wired automatically with ADS systems.





pkg.	wt.	part no.
360	6 g	47.315.2101.50

Connector for LED light source RS-series from Bridgelux

Screw fixing




Housing: PBT

Contacts: CuSn

Rating: 3A / 150 VDC

- Screw fixing: for screws M3 or self-tapping screws with \varnothing 3mm and locking washer
- Max. torque for screw fixing 0.5 Nm
- Strip length: 6+1 mm
- Polarity of LED must be observed
- Specifications of LED manufacturer must be observed
- VDE-Reg. No. D971


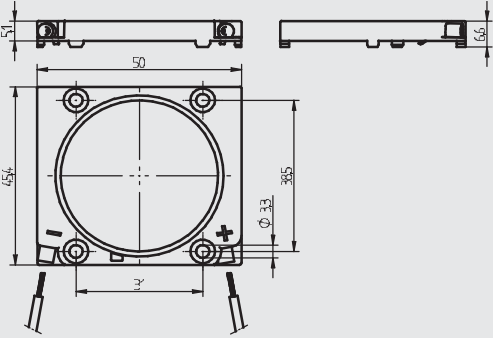
T 110

CAD

i

100...

pkg.	wt.	part no.
360	6 g	47.315.2111.50

Connector for LED light source RS-series from Bridgelux

Screw fixing




Housing: PBT

Contacts: CuSn

Rating: 3A / 150 VDC

- Screw fixing: for screws M3 or self-tapping screws with \varnothing 3mm and locking washer
- Max. torque for screw fixing 0.5 Nm
- Strip length: 6+1 mm
- Polarity of LED must be observed
- Specifications of LED manufacturer must be observed
- VDE-Reg. No. D971


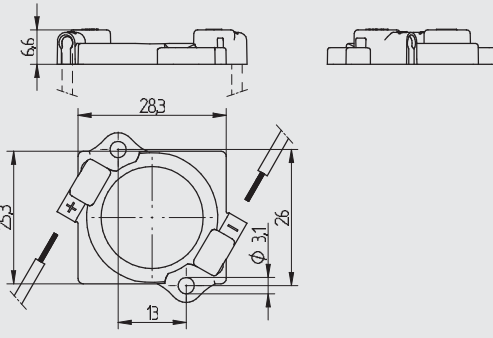
T 110

CAD

i

100...

pkg.	wt.	part no.
216	2 g	47.315.4006.50

Connector for LED light source ES-series from Bridgelux

Screw fixing




Housing: PBT

Contacts: CuSn

Rating: 3A / 150 VDC

- Screw fixing: for screws M3 or self-tapping screws with \varnothing 3mm and locking washer
- Max. torque for screw fixing 0.5 Nm
- Strip length: 6+1 mm
- Polarity of LED must be observed
- Specifications of LED manufacturer must be observed
- VDE-Reg. No. D971

T 110


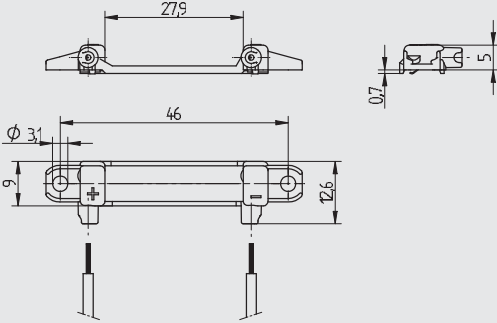




CAD

i

100...






pkg. wt. part no.
225 1 g **47.315.1002.50**

Connector for LED light source CL-L103 and CL-L102 from Citizen

Screw fixing
Housing: PBT
Contacts: CuSn
Rating: 3A / 150 VDC

- Screw fixing: for screws M3 or self-tapping screws with \varnothing 3mm and locking washer
- Max. torque for screw fixing 0.5 Nm
- Strip length: 6+1 mm
- Polarity of LED must be observed
- Specifications of LED manufacturer must be observed
- VDE-Reg. No. D971

T 110


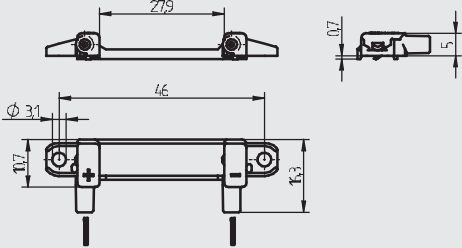
0.25 - 0.5 mm²

0.5 mm²

CAD

i

100...



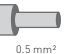
pkg. wt. part no.
195 1 g **47.315.1401.50**

Connector for LED light source CL-L1042 from Citizen

Screw fixing
Housing: PBT
Contacts: CuSn
Rating: 3A / 150 VDC

- Screw fixing: for screws M3 or self-tapping screws with \varnothing 3mm and locking washer
- Max. torque for screw fixing 0.5 Nm
- Strip length: 8+1 mm
- Polarity of LED must be observed
- Specifications of LED manufacturer must be observed
- VDE-Reg. No. D971

T 110


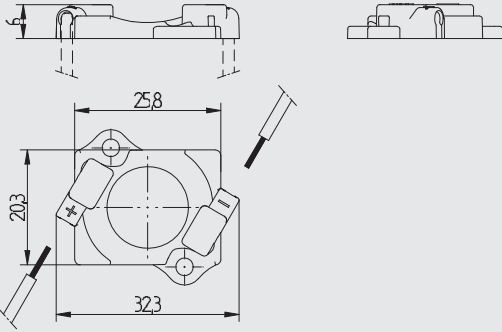
0.25 - 0.5 mm²

0.5 mm²

CAD

i

100...




pkg. wt. part no.
225 1 g **47.315.4002.50**

Connector for LED light source CL-L233 from Citizen

Screw fixing
Housing: PBT
Contacts: CuSn
Rating: 3A / 150 VDC

- Screw fixing: for screws M3 or self-tapping screws with \varnothing 3mm and locking washer
- Max. torque for screw fixing 0.5 Nm
- Strip length: 6+1 mm
- Polarity of LED must be observed
- Specifications of LED manufacturer must be observed
- VDE-Reg. No. D971

T 110

0.25 - 0.5 mm²

0.5 mm²

CAD

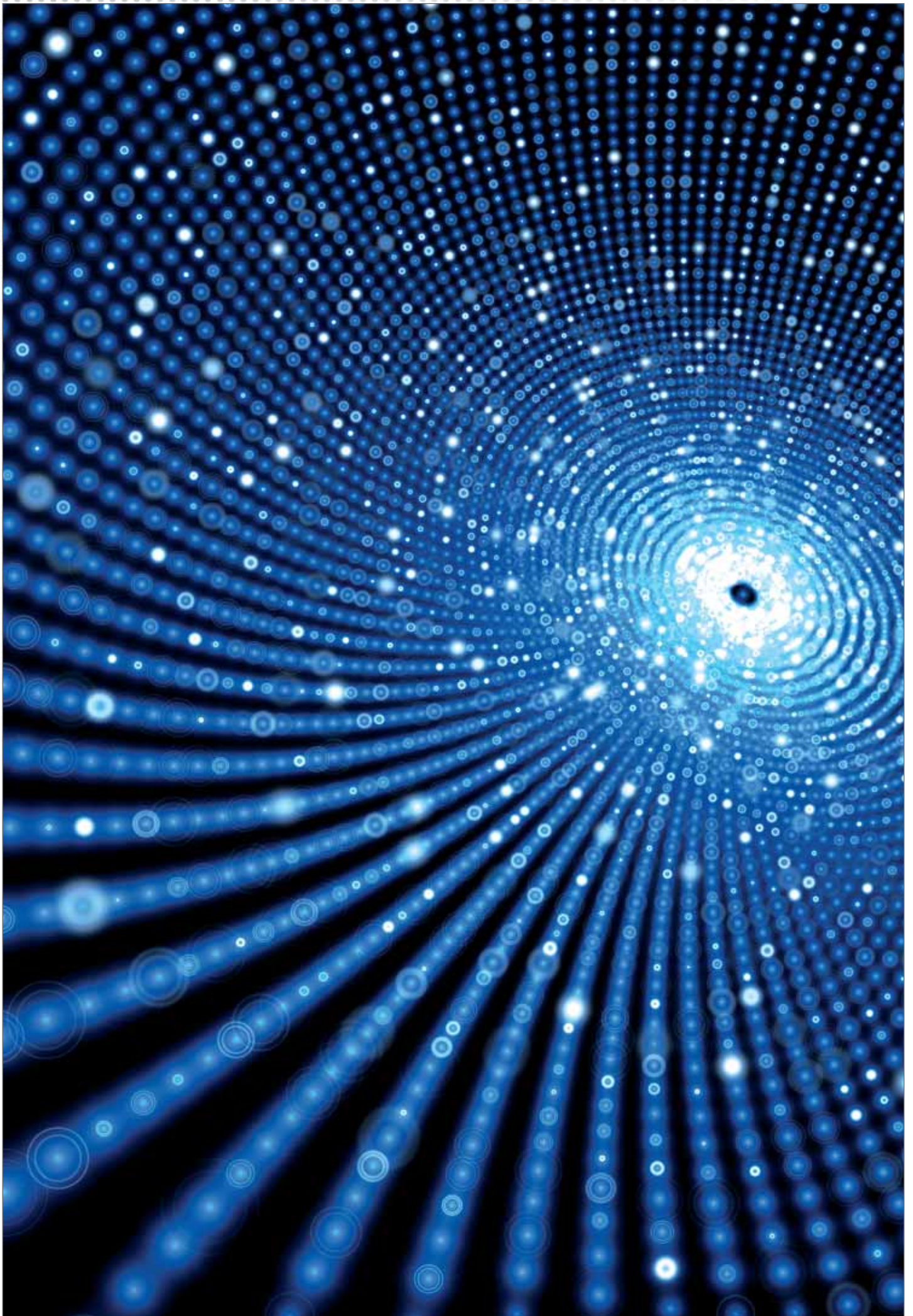
i

100...


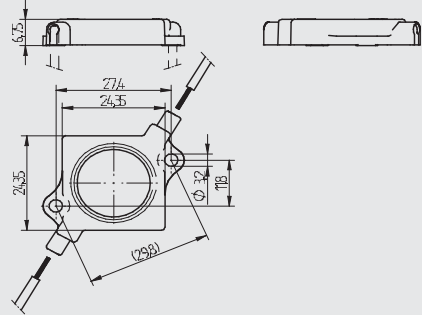
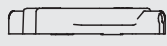
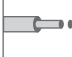





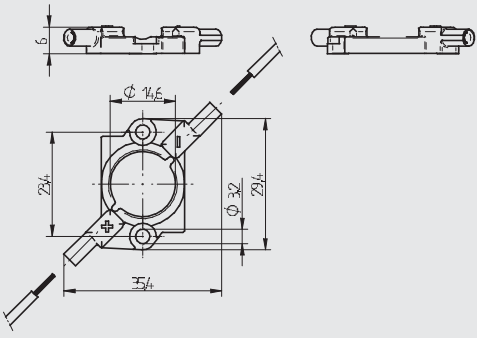



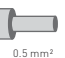
		<p>pkg. 224</p> <p>wt. 3 g</p> <p>part no. 47.315.4005.50</p>	<p>Connector for LED light source CLL040 from Citizen</p> <p>Screw fixing</p> <p>Housing: PBT</p> <p>Contacts: CuSn</p> <p>Rating: 3A / 150 VDC</p> <ul style="list-style-type: none"> • Screw fixing: for screws M3 or self-tapping screws with \varnothing 3mm and locking washer • Max. torque for screw fixing 0.5 Nm • Strip length: 6+1 mm • Polarity of LED must be observed • Specifications of LED manufacturer must be observed • VDE-Reg. No. D971
<p>T 110</p> <p>0.25 - 0.5 mm² 0.5 mm²</p>	<p>CAD</p> <p>i</p> <p>100...</p>		


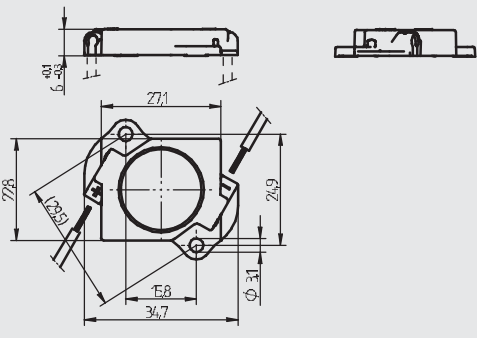



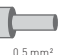
		<p>pkg. 280</p> <p>wt. 3 g</p> <p>part no. 47.315.4009.50</p>	<p>Connector for LED light source CLL030 from Citizen</p> <p>Screw fixing</p> <p>Housing: PBT</p> <p>Contacts: CuSn</p> <p>Rating: 3A / 150 VDC</p> <ul style="list-style-type: none"> • Screw fixing: for screws M3 or self-tapping screws with \varnothing 3mm and locking washer • Max. torque for screw fixing 0.5 Nm • Strip length: 8+1 mm • Polarity of LED must be observed • Specifications of LED manufacturer must be observed • VDE-Reg. No. D971
<p>T 110</p> <p>0.25 - 0.5 mm² 0.5 mm²</p>	<p>CAD</p> <p>i</p> <p>100...</p>		





			pkg.	wt.	part no.
			125	2 g	47.315.4011.50
<p>Connector for LED light source CXA2011 from CREE Screw fixing Housing: PBT Contacts: CuSn Rating: 3A / 150 VDC</p> <ul style="list-style-type: none"> • Screw fixing: for screws M3 or self-tapping screws with \varnothing 3mm and locking washer • Max. torque for screw fixing 0.5 Nm • Strip length: 8+1 mm • Polarity of LED must be observed • Specifications of LED manufacturer must be observed • VDE-Reg. No. D971 					
T 110	  	CAD	i	100...	

			pkg.	wt.	part no.
			280	2 g	47.316.3001.50
<p>Connector for LED light source COB-L from Nichia Screw fixing Housing: PBT Contacts: CuSn Rating: 3A / 150 VDC</p> <ul style="list-style-type: none"> • Screw fixing: for screws M3 or self-tapping screws with \varnothing 3mm and locking washer • Max. torque for screw fixing 0.5 Nm • Strip length: 6+1 mm • Polarity of LED must be observed • Specifications of LED manufacturer must be observed • VDE-Reg. No. D971 					
T 110	  	CAD	i	100...	

			pkg.	wt.	part no.
			216	2 g	47.315.4001.50
<p>Connector for LED light source MegaZeni from Sharp Screw fixing Housing: PBT Contacts: CuSn Rating: 3A / 150 VDC</p> <ul style="list-style-type: none"> • Screw fixing: for screws M3 or self-tapping screws with \varnothing 3mm and locking washer • Max. torque for screw fixing 0.5 Nm • Strip length: 6+1 mm • Polarity of LED must be observed • Specifications of LED manufacturer must be observed • VDE-Reg. No. D971 					
T 110	  	CAD	i	100...	



Connectors for LED-STARboards

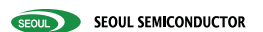


These connectors for LED-STARboards have numerous advantages.

They are only fixed with screws. There is no need for soldering. And, as is usual with BJB, the push-wire contacts provide easy wiring possibilities.

Reliable thermal management ensures long-term operation. Finally, the LED modules are quick and easy to replace, if necessary.

Connectors for various LED-STARboards



Connectors for LED-STARboards

LEDs increasingly present the lighting and domestic appliance industry with new challenges.

Key considerations here are the selection of suitable light sources and their positioning and fixing within the light fitting. Other barriers to the use of LEDs are the questions of contacting and heat management. The possibility of replacement in case of failure is still largely unresolved, as is the simple use of suitable optics for light direction and bundling.

Some high-intensity LEDs offered today come with an emitter mounted on a "STARboard". The "STARboard" is fixed by screws. However, contact is by means of conductors which are soldered on, so that, in case of repair,

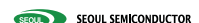
the LED can only be replaced by a specialist!

No soldering of wires! No adhesives for optical systems! With connection guarantee!

Many light fitting manufacturers are demanding a connector which will eliminate these difficulties. BJB has therefore developed a system for LED STARboards which greatly simplifies the use of LEDs in light fittings.

The connectors (version depends on the planned LED) and the STARboard are both fixed with two screws. Electrical contact is by means of two pushwire terminals. The optic holder is clipped onto the connector, and the

optical system itself clips into this. The complete assembly process takes place without any soldering or gluing.



The advantages at a glance:

- Compatible with LED-STARboards, from manufacturers such as CREE, Edison, OSRAM, Philips Lumileds and Seoul Semiconductor
- Solder-free contact technology, no thermal stress to reduce service life
- Components easily exchangeable
- Simple adaptation of optical systems (clips instead of adhesives)
- Exact fixing of light source
- Compatible with optical systems, e.g. Carclo Optics or Jordan Reflectors



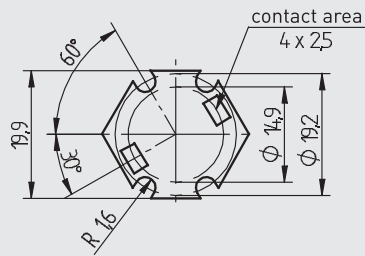


LED - Lighting and connection technology

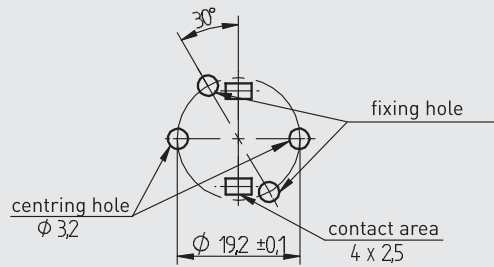
Connectors for STARboards with LED - General information



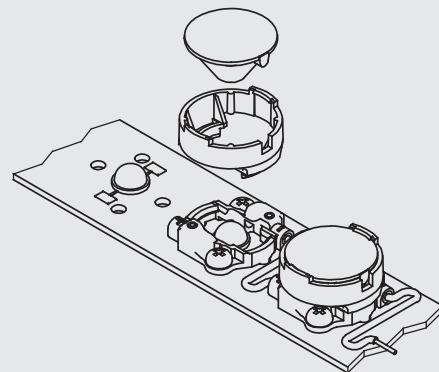
Dimensions of star PCB



Cut-out for use with PCB's



Example of application with PCB's



Identification of connecting pieces

To make identification easier, each part will be marked with a 2 digit code.



Test ports











For efficient final testing after assembly of the LED, connecting pieces are equipped with two test ports for top testing with an adaptor.










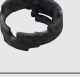




LED - Lighting and connection technology

Connectors for STARboards with LED - Components overview


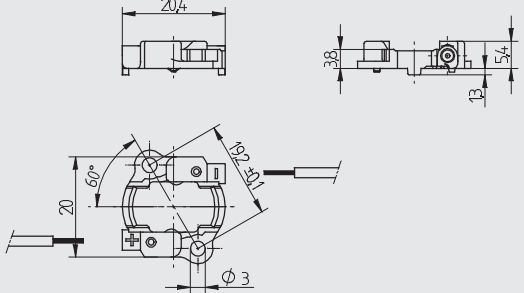


Bridgelux ES Star	Cree XLamp XP-E/C	Cree XLamp XR-E/C	Edison EdiPower
			
47.313.1001.80 	47.313.5201.80 	47.313.5101.80 	47.313.1000.80 
Due to a wide area of illumination an application of lenses with \varnothing 20 mm is not possible.	47.313.-320.. 	47.313.-320.. 	Due to a wide area of illumination an application of lenses with \varnothing 20 mm is not possible.
	Carclo Optics \varnothing 20 mm Plain Tight, 8.2° No. 10193	Carclo Optics \varnothing 20 mm Plain Tight, 8.4° No. 10199	
	\varnothing 20 mm Frosted Narrow, 10.4° No. 10194	\varnothing 20 mm Frosted Narrow, 10° No. 10200	
	\varnothing 20 mm Frosted Medium, 17.9° No. 10195	\varnothing 20 mm Frosted Medium, 20° No. 10201	
	\varnothing 20 mm Frosted Wide, 31.5° No. 10196	\varnothing 20 mm Frosted Wide, 36° No. 10202	
	\varnothing 20 mm Elliptical, 47 x 8° No. 10197	\varnothing 20 mm Elliptical, 41 x 10° No. 10203	

OSRAM DRAGON-X	Seoul Semiconductor Z-Power P4	Philips Lumileds LUXEON® Rebel *	Philips Lumileds LUXEON® Rebel
			
47.313.1101.80 	47.313.5001.80 	47.313.2401.80 	47.313.2401.80 
47.313.-320.. 	47.313.-320.. 	47.313.-320.. 	47.313.-320.. 
Carclo Optics \varnothing 20 mm Plain Tight, 5.4° No. 10193	Carclo Optics \varnothing 20 mm Plain Tight, 9.5° No. 10003	Carclo Optics \varnothing 20 mm Plain Tight, 8.7° No. 10193	Jordan Reflektoren Reflektor Rebel Spot Hochglanzoberfläche 8° No. 112752010105
\varnothing 20 mm Frosted Narrow, 10° No. 10194	\varnothing 20 mm Frosted Narrow, 15.4° No. 10138	\varnothing 20 mm Frosted Narrow, 12° No. 10194	Jordan Reflektoren Reflektor Rebel Medium Sandstrahloberfläche, 20° No. 112755010105
\varnothing 20 mm Frosted Medium, 19° No. 10195	\varnothing 20 mm Frosted Medium, 23.8° No. 10139	\varnothing 20 mm Frosted Medium, 19° No. 10195	
\varnothing 20 mm Frosted Wide, 32° No. 10196	\varnothing 20 mm Frosted Wide, 31.8° No. 10140R2	\varnothing 20 mm Frosted Wide, 35° No. 10196	
\varnothing 20 mm Elliptical, 39 x 7.8° No. 10197	\varnothing 20 mm Elliptical, 44 x 15° No. 10003/L25	\varnothing 20 mm Elliptical, 45 x 9.5° No. 10197	

* alternatively star PCB of Drees Lichttechnik (www.drees-lichttechnik.eu)




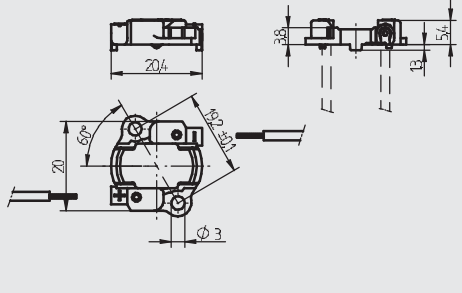
pkg. wt. part no.
250 1 g **47.313.1000.80**

Without centering for LED, for use with EdiPower from Edison

Screw fixing
Housing: PBT
Contacts: CuSn

- Not for use with lenses (no centring of LED)
- Screw fixing: for screws M3 or self-tapping screws with \varnothing 3mm and locking washer
- Max. torque for screw fixing 0.5 Nm
- Strip length: 6+1 mm
- Test ports
- Polarity of LED must be observed
- Specifications of LED manufacturer must be observed
- VDE-Reg - no. D060

T 110			0.25 - 0.5 mm ²	0.5 mm ²	2A	60VDC	CAD	i	100...
-------	--	--	----------------------------	---------------------	----	-------	-----	---	--------


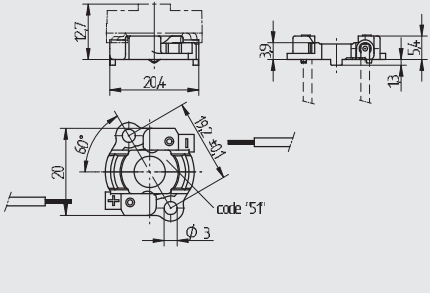
pkg. wt. part no.
250 1 g **47.313.1001.80**

With centring for LED ES Star from Bridgelux

Screw fixing
Housing: PBT
Contacts: CuSn

- Not for use with lenses (no centring of LED)
- Screw fixing: for screws M3 or self-tapping screws with \varnothing 3mm and locking washer
- Max. torque for screw fixing 0.5 Nm
- Strip length: 6+1 mm
- Test ports
- Polarity of LED must be observed
- Specifications of LED manufacturer must be observed
- VDE-Reg - no. D060

T 110			0.25 - 0.5 mm ²	0.5 mm ²	2A	60VDC	CAD	i	100...
-------	--	--	----------------------------	---------------------	----	-------	-----	---	--------

pkg. wt. part no.
250 1 g **47.313.5101.80**


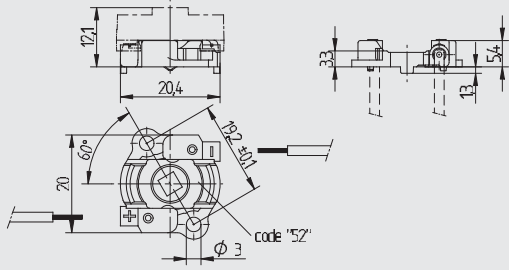
With centring for XLamp XR-E/C from Cree

Screw fixing
Housing: PBT
Contacts: CuSn

- For use with lens holder 47.313.-3xx and lenses
- Screw fixing: for screws M3 or self-tapping screws with \varnothing 3mm and locking washer
- Max. torque for screw fixing 0.5 Nm
- Strip length: 6+1 mm
- Test ports
- Polarity of LED must be observed
- Specifications of LED manufacturer must be observed
- VDE-Reg - no. D060

T 110			0.25 - 0.5 mm ²	0.5 mm ²	2A	60VDC	CAD	i	100...
-------	--	--	----------------------------	---------------------	----	-------	-----	---	--------








pkg. wt. part no.
250 1 g **47.313.5201.80**

With centring for LED XLamp XP-E/C from Cree
Screw fixing
Housing: PBT
Contacts: CuSn

- For use with lens holder 47.313.-3xx and lenses
- Screw fixing: for screws M3 or self-tapping screws with \varnothing 3mm and locking washer
- Max. torque for screw fixing 0.5 Nm
- Strip length: 6+1 mm
- Test ports
- Polarity of LED must be observed
- Specifications of LED manufacturer must be observed
- VDE-Reg - no. D060

T 110

0.25 - 0.5 mm²

0.5 mm²


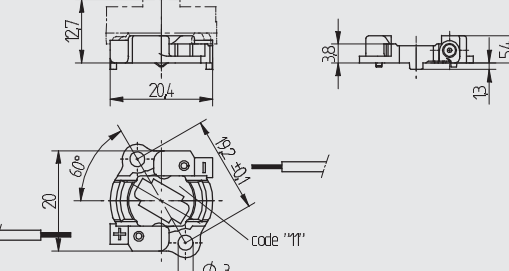
2A

60VDC

CAD

i

100...






pkg. wt. part no.
250 1 g **47.313.1101.80**

With centring for LED DRAGON-X 120° from OSRAM
Screw fixing
Housing: PBT
Contacts: CuSn

- For use with lens holder 47.313.-3xx and lenses
- Screw fixing: for screws M3 or self-tapping screws with \varnothing 3mm and locking washer
- Max. torque for screw fixing 0.5 Nm
- Strip length: 6+1 mm
- Test ports
- Polarity of LED must be observed
- Specifications of LED manufacturer must be observed
- VDE-Reg - no. D060

T 110

0.25 - 0.5 mm²

0.5 mm²


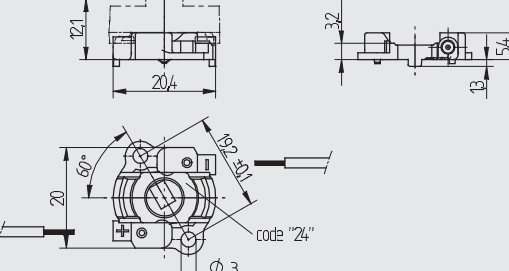
2A

60VDC

CAD

i

100...






pkg. wt. part no.
250 1 g **47.313.2401.80**

With centring for LED LUXEON® Rebel from Philips Lumileds
Screw fixing
Housing: PBT
Contacts: CuSn

- For use with lens holder 47.313.-3xx and lenses
- Screw fixing: for screws M3 or self-tapping screws with \varnothing 3mm and locking washer
- Max. torque for screw fixing 0.5 Nm
- Strip length: 6+1 mm
- Test ports
- Polarity of LED must be observed
- Specifications of LED manufacturer must be observed
- VDE-Reg - no. D060

T 110

0.25 - 0.5 mm²

0.5 mm²

2A

60VDC

CAD

i

100...



pkg. wt. part no.
250 1 g **47.313.5001.80**

With centring for LED Z-Power P4 from Seoul Semiconductor
Screw fixing
Housing: PBT
Contacts: CuSn

- For use with lens holder 47.313.-3xx and lenses
- Screw fixing: for screws M3 or self-tapping screws with \varnothing 3mm and locking washer
- Max. torque for screw fixing 0.5 Nm
- Strip length: 6+1 mm
- Test ports
- Polarity of LED must be observed
- Specifications of LED manufacturer must be observed
- VDE-Reg - no. D060

T 110

2A

60VDC

CAD

i

100...

pkg. wt. part no.
250 1 g **47.313.1900.85**

Without centring for LED, for use with Side Emitter LED's
Screw fixing
Housing: PC, transparent
Contacts: CuSn

- Not for use with lenses (no centring of LED)
- Screw fixing: for screws M3 or self-tapping screws with \varnothing 3mm and locking washer
- Max. torque for screw fixing 0.5 Nm
- Strip length: 6+1 mm
- Test ports
- Polarity of LED must be observed
- Specifications of LED manufacturer must be observed

T 90

2A

60VDC

CAD

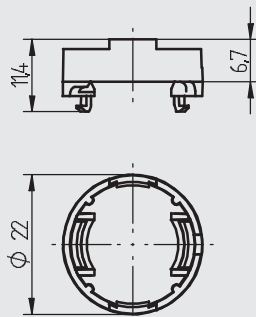
i

100...

LED - Lighting and connection technology

47.313

Connectors for STARboard with LED - Accessories



pkg.	wt.	part no.
250	1 g	47.313.-320.50
250	1 g	47.313.-320.80

Holder for lenses and reflectors with \varnothing 20 mm

Snap in fixing for connectors and lenses

Housing: PC

- For use with connectors 47.313...
- Specifications from Carclo Optics and Jordan must be observed

CAD

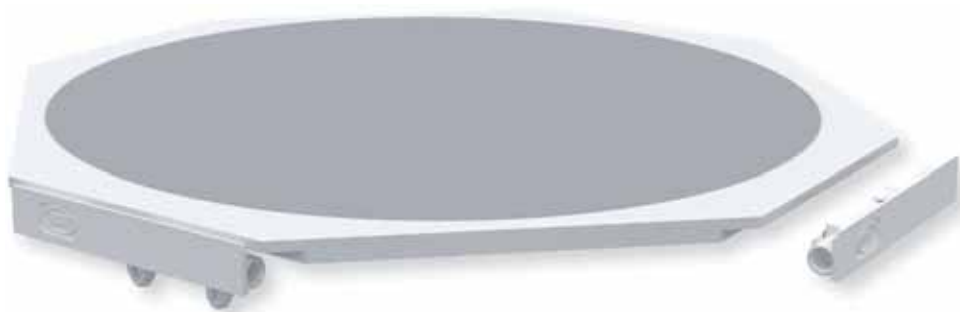
i

100...

Further on and no end in sight.

Connection technology for OLED with contact pins

BJB does its bit to do pioneering work to solve the challenge of contacting the delicate substrate layer. One application for our OLED connector is the octagonal OSRAM ORBEOS (ø 79 mm). However, other dimensions are also possible.



ORBEUS OLED from OSRAM
with BJB connector 47.401

LED - Lighting and connection technology

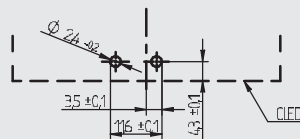
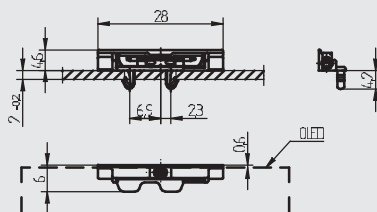
47.315

Connector for OLED LED light sources



pkg. wt. part no.
216 2 g **47.401.1001.50**

Connector for OLED light source from OSRAM
Snap in pins
Housing: PC
Contacts: CuSn



T 80			0.25 - 0.35 mm ²	0.25 mm ²	2 A 50 V	CAD	i
------	--	--	--------------------------------	----------------------	-------------	-----	---

Connectors and conductors for LED strip lights from Osram

LED  LINE


Connection like Plug-Play

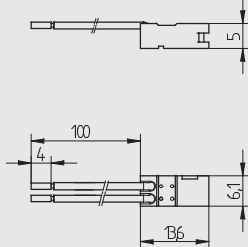
With this BJB connector series it's very easy to connect the LED strip lights from OSRAM. Easy, quick and efficient. And for sure, without soldering or gluing.



47.342








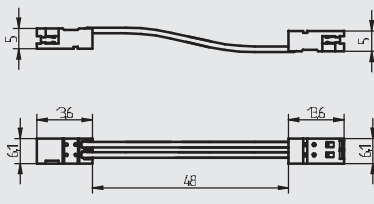
pkg. wt. part no.
200 5 g **47.342.2003.50**

Connector
Housing: PBT
Contacts: CuSn
Wires: Cu, tinned, 0.35 mm² (22 AWG), Insulation: PVC red / black, Length: 500 mm, with ferrule

- Thickness: 1.6 ±0.14 mm
- Polarity protection
- Connection removable
- Other versions on request

T 100	2 A 24 V	CAD	i	100...
-------	-------------	-----	---	--------






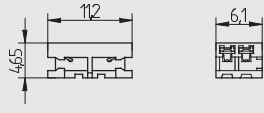
pkg. wt. part no.
200 3 g **47.342.3001.50**

Connector
Housing: PBT
Contacts: CuSn
Wires: Cu, tinned, 0.35 mm² (22 AWG), Insulation: PVC white / white, Length: 48 mm

- Thickness: 1.6 ±0.14 mm
- Polarity protection
- Connection removable
- Other versions on request

T 100	2 A 24 V	CAD	i	100...
-------	-------------	-----	---	--------





pkg. wt. part no.
500 2 g **47.302.2001.50**





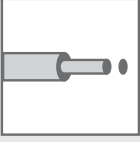
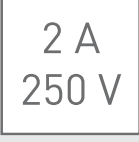
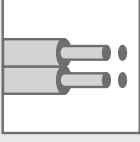
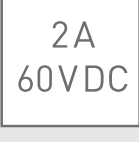
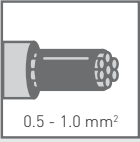

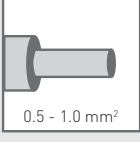
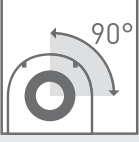
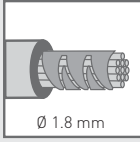

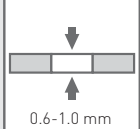
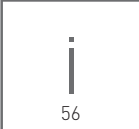
Connector
Housing: PBT
Contacts: CuSn

- Thickness: 1.6 ±0.14 mm
- Polarity protection
- Connection removable
- Other versions on request

T 100	2 A 24 V	CAD	i	100...
-------	-------------	-----	---	--------

All articles in this catalogue have been designed according to the appropriate national and international standards (VDE / IEC).
The choice of product and correct technical embodiment is the sole responsibility of the user.
Exact information can be obtained upon request. We reserve the right to modify products.

Explanation of the symbols shown on the product pages.

	<p>Temperature rating T 90 The maximum operating temperature is given by a T marking. This is the maximum operating temperature for which the product is designed.</p>		<p>Rating Indication of rated values.</p>
	<p>Temperature rating T 110 The maximum operating temperature is given by a T marking. This is the maximum operating temperature for which the product is designed.</p>		<p>Rating Indication of rated values.</p>
	<p>Single push wire terminals</p>		<p>Rating Indication of rated values.</p>
	<p>Twin push wire terminals</p>		<p>Rating Indication of rated values.</p>
 <p>0.5 - 1.0 mm²</p>	<p>For tinned wire ends within the cross sectional range stated (In this example 0.5 - 1.0 mm²) When regulations deviate from IEC, other cross sections are possible (e.g. UL / CSA: cable 18 AWG).</p>		<p>Rating Indication of rated values.</p>
 <p>0.5 - 1.0 mm²</p>	<p>For solid conductors within the cross sectional range stated (In this example 0.5 - 1.0 mm²) When regulations deviate from IEC, other cross sections are possible (e. g. UL / CSA: cable 18 AWG).</p>		<p>90° rotor fixing</p>
 <p>∅ 1.8 mm</p>	<p>For wire ends with ferrule to the maximum diameter stated (In this example max. ∅ 1.8 mm) The cable and termination used must be compatible in respect of: Diameter and length of the ferrule, strip length of insulation. For further information see DIN 46228, part 3, size 1 - 7</p>		<p>CAD-Data in 2D or 3D format available</p>
 <p>0.6-1.0 mm</p>	<p>Material thickness Indication in mm (In this example 0.6 - 1.0 mm)</p>		<p>Additional information Further information about the products shown on this page can be found on the pages shown within this symbol.</p>

BJB and its subsidiaries

Headquarters

BJB Germany

BJB GmbH & Co. KG
Werler Str. 1 . 59755 Arnsberg
Germany
Telefon +49 (0) 29 32.9 82-0
Telefax +49 (0) 29 32.9 82-8201
info@bjb.com
www.bjb.com

BJB China

BJB Electric Dongguan Ltd.
Guancheng Science & Tech. Park
Shilong Road, Guanlong Road's
523119 Dongguan City
China
Telefon +86 769 22766 891
Telefax +86 769 22766 896
tommy.leung@bjb.com
www.bjb.com

BJB Hong Kong LTD.

Room 1105 Hang Seng Building
77 Des Voeux Road Central
Hong Kong
Telefon +86 769 22766 891
Telefax +86 769 22766 896
tommy.leung@bjb.com
www.bjb.com

BJB Italy

BJB S.p.A.
Viale Famagosta, 61
I-20142 Milano
Telefon +39 02 89 15 02 76
Telefax +39 02 89 15 90 29
bjbitalia@bjb.com
www.bjb.com

BJB Japan

BJB Co., Ltd.
2-5-9 Nakagawa-Chuo
Tsuzuki-ku,
Yokohama Kanagawa, 224-0003
Telefon +81 45 595 1239
Telefax +81 45 591 1001
sales-japan@bjb.com
www.bjb.com

BJB Spain

BJB Procesa S.A.
C-155 De Sabadell a Granollers, km 14,2
Apartado de Correos, 8
E-08185 Lliça de Vall (Barcelona)
Telefon +34 93 8445170
Telefax +34 93 8445184
procesa@bjb.com
www.bjb.com

BJB Taiwan

BJB Electric Taiwan Corporation
4/F, No. 108, Chow-Tze Street
Nei-Hu District (11493)
Taipei
Telefon +886 2 2627 7722
Telefax +886 2 2627 1122
v_BJBTaiwan@bjb.com
www.bjb.com

BJB UK

BJB (UK) Ltd.
5 Axis Centre
Cleeve Road
Leatherhead
KT22 7RD
Telefon: +44 (0)1372 380 850
Fax: +44 (0)1372 380 859
bjbuk@bjb.com
www.bjb.com

BJB USA

BJB Electric L.P.
6375 Alabama Highway
Ringgold, GA 30736
U.S.A.
Telefon +1 (706) 965-2526
Telefax +1 (706) 965-2528
sales@bjb.com
www.bjb.com

Sales office Brazil

Mr. Alexandre Lozano
Av. Miro Vetorazzo, 115 C. 80
09820-135 São B. do Campo - SP - Brazil
Tel.: +55 1143961582
Mobile: +55 11 8347 5204
Fax: +49 2932 982 8384
Alexandre.Lozano@bjb.com
www.bjb.com

Sales office Thailand

Mr. Keith Hsieh
Tel.: +66 8555 37069
Fax: +49 2932 9828 456
keith.hsieh@bjb.com
www.bjb.com





Full details of new products and further information can be found at www.bjb.com.

BJB GmbH & Co. KG · Werler Str. 1 · 59755 Arnsberg · Germany
Telephone +49 2932 982-0 · Fax +49 2932 982-8201
info@bjb.com · www.bjb.com



Your Connection to Light