

ETERNITY

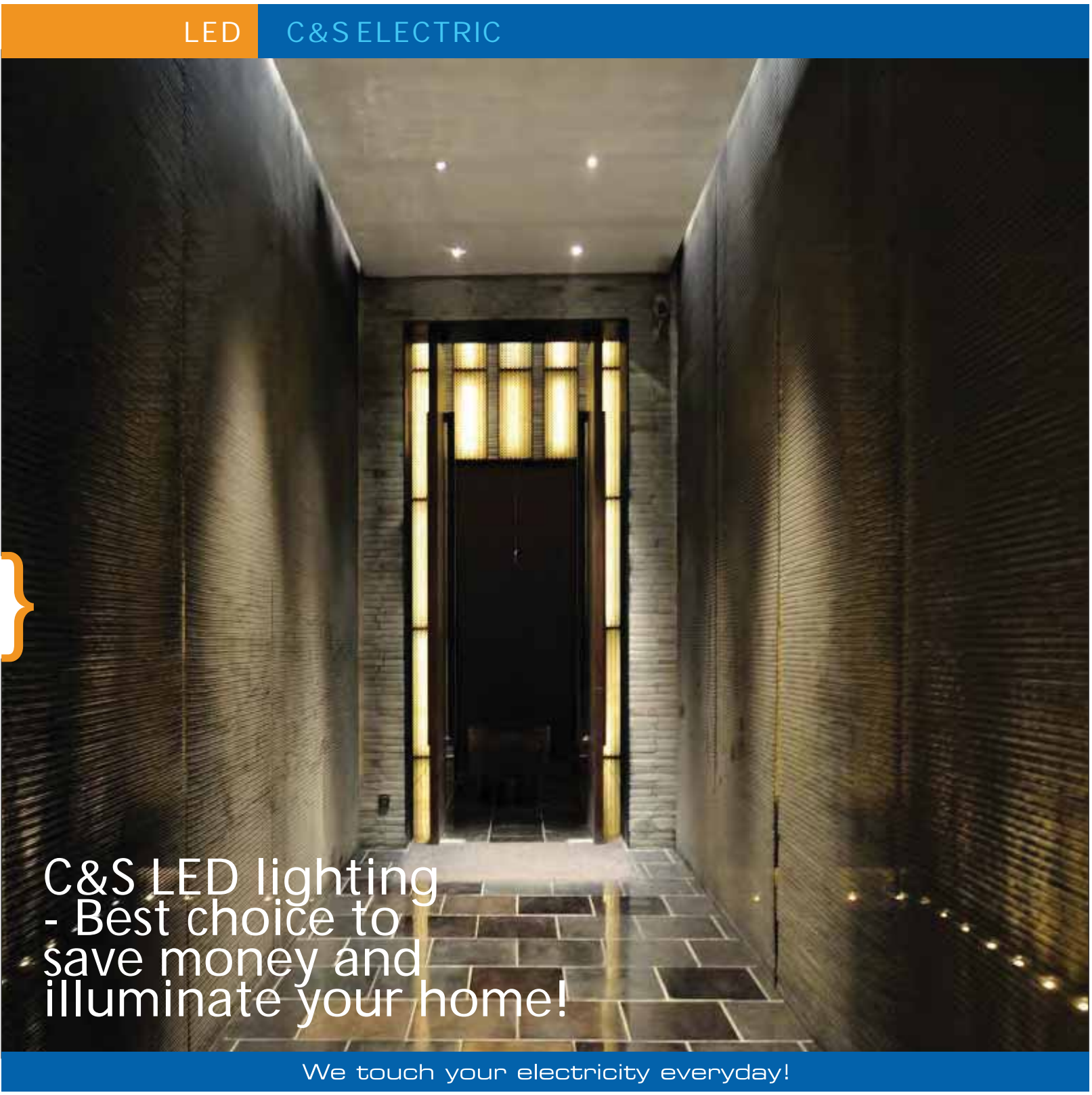
LED

CATALOG 2011

We touch your electricity everyday!

LED

C&SELECTRIC



C&S LED lighting
- Best choice to
save money and
illuminate your home!

We touch your electricity everyday!

WHY LEDs?

- Environment friendly, no UV radiation.
- Low power consumption, great savings.
- Longer life in comparison to conventional lamps.
- Programmable & can be operated at human will.
- Available in different colors, shapes & designs.

C&S Electric Ltd., the pioneers in the field of lighting solutions, announces the launch of its new one-of-a-kind LED based energy efficient product range "ETERNITY". One of the key advantage of these new LED based products are that they deliver very high lumen output with optimum system efficacy. These elegantly designed LED luminaires reduces the Total Cost of Ownership (TCO) because of their longer life & low energy cost. Thus, C&S LED lighting are not only energy efficient but also amp up the ambience & brings comfort in your life.



LED INTRODUCTION

LED lighting is very commonly referred as Solid State Lighting, offers high quality of bright light with reduced energy cost & longer life. LED Luminaires can now easily replace conventional luminaries in almost any lighting application be it indoor or outdoor. LED Luminaires offers endless possibilities as they are available in different colors & can create different mood settings as per your requirements. Our new LED Luminaires are most advanced as they are dimmable & programmable & can be operated at human will. LED Luminaires with different optical lenses provides highest optical efficiency along with excellent system efficacy.

LED DOWNLIGHT- Gratia

C&S downlight enhance the beauty and grace of your interior. From under cabinet lighting to offices, retail showrooms to your homes, C&S energy efficient downlights match your every lighting requirement. LED downlights in different ratings, available from 1W to 14W in both recessed & surface mounting versions for versatile applications.



} DOWNLIGHT



LT CR 6X1 HP LED/W
 LT CR 9X1 HP LED/W
 LT CR 14X1 HP LED/WW

(INTEGRAL RECESS MOUNTING LED DOWNLIGHT)

| PRODUCT CODE | LAMP TYPE | WATTAGE (W) | VOLTAGE (V) | DIMENSIONS | | |
|--------------------------|----------------|-------------|-------------|------------|-----|----|
| | | | | A | B | C |
| LT CR 6X1 HP LED/W | 6 X 1W HP LED | 7 | 240V, 50Hz | Ø134 | 215 | 76 |
| LT CR 9X1 HP LED/W | 9 X 1W HP LED | 10 | 240V, 50Hz | Ø159 | 250 | 73 |
| LT CR 14X1 HP LED/WW | 14 X 1W HP LED | 16 | 240V, 50Hz | Ø186 | 292 | 75 |
| <i>Tolerance - ± 2mm</i> | | | | | | |



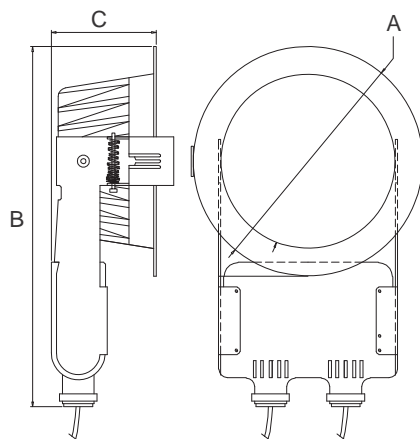
Decorative recess mounting integral LED downlight luminaire comprising of Die cast aluminium housing in white powder coated finish with PMMA diffuser & inbuilt constant current electronic driver

SPECIFICATIONS

- Housing – Die cast aluminium housing with white powder coated finish
- Cover - Frosted PMMA diffuser for glare free lighting
- Thermal Management - The heat sinking is been vigilantly tested to ensure that the LEDS hold their intensity & Kelvin Color temperature over a period of time.
- Internal Wiring – PVC insulated copper wire.
- Mains Terminal – 2 way 5 amps. suitable for terminating 1.5 sq. mm cable.
- Hardware – 304 grade stainless steel.
- Driver - Inbuilt constant current electronic driver

APPLICATIONS

- Offices
- Hotels & Restaurant
- Commercial Complexes
- Corridors & Lobbies
- Computer Center



| | | | | |
|--------------------|---------------|----------|--------------------|----------|
| LED Brand | Input Current | Power | Ingress Protection | lm/Watt. |
| Osram | 350mA | 7/10/16 | IP20 | Upto 100 |
| Material | Cover | Hardware | Wiring | Driver |
| Die Cast Aluminium | PMMA | SS 304 | Series/Parallel | Inbuilt |

Colors Available



White Warm White



LT CR 1X1W HP LED/W

(INTEGRAL RECESS MOUNTING LED DOWNLIGHT)

| PRODUCT CODE | LAMP TYPE | WATTAGE (W) | VOLTAGE (V) | DIMENSIONS | |
|--------------------------|---------------|-------------|-------------|------------|----|
| | | | | A | B |
| LT CR 1X1W HP LED/MR11 W | 1 X 1W HP LED | 1 | 240V, 50Hz | Ø31 | 28 |
| <i>Tolerance - ± 2mm</i> | | | | | |



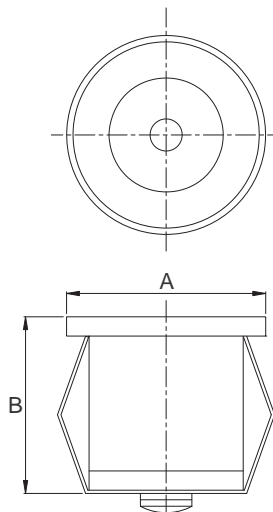
Decorative recess mounting LED downlight luminaire comprising of machined anodised aluminium housing with transparent lens & external constant current electronic driver.

SPECIFICATIONS

- Housing – Machined anodised aluminium
- Cover - Transparent Lens
- Thermal Management - The heat sinking is been vigilantly tested to ensure that the LEDS hold their intensity & Kelvin Color temprature over a period of time.
- Internal Wiring – PVC insulated copper wire.
- Mains Terminal – 2 way 5 amps. suitable for terminating 1.5 sq. mm cable.
- Hardware – 304 grade stainless steel.
- Driver – External constant current electronic driver

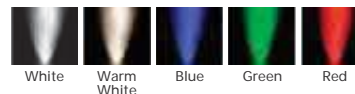
APPLICATIONS

- Under Cabinet
- Wardrobe
- Focus
- Picture Gallery
- Showroom



| | | | | |
|-----------------------------|------------------|----------|--------------------|----------|
| LED Brand | Input Current | Power | Ingress Protection | lm/Watt. |
| Osram | 350mA | 1 | IP20 | Upto 100 |
| Material | Cover | Hardware | Wiring | Driver |
| Machined Anodised Aluminium | Transparent Lens | SS 304 | Series/ Parallel | External |

Colors Available





LT CR 3X1 HP LED/MR16W
 LT CR 3X3 HP LED/MR16W
 (INTEGRAL RECESS MOUNTING LED DOWNLIGHT)

| PRODUCT CODE | LAMP TYPE | WATTAGE (W) | VOLTAGE (V) | DIMENSIONS | |
|------------------------|---------------|-------------|-------------|------------|----|
| | | | | A | B |
| LT CR 3X1 HP LED/MR16W | 3 X 1W HP LED | 4 | 240V, 50Hz | Ø84 | 48 |
| LT CR 3X3 HP LED/MR16W | 3 X 3W HP LED | 10 | 240V, 50Hz | Ø84 | 48 |

Tolerance - ± 2mm



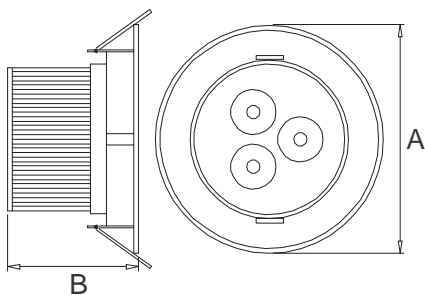
Decorative recess mounting LED downlight luminaire comprising of Die cast aluminium housing in white powder coated finish with external constant current electronic driver

SPECIFICATIONS

- Housing – Die cast aluminium with white powder coated finish
- Thermal Management - The heat sinking is been vigilantly tested to ensure that the LEDS hold their intensity & Kelvin color temperature over a period of time.
- Internal Wiring – PVC insulated copper wire.
- Mains Terminal – 2 way 5 amps. suitable for terminating 1.5 sq. mm cable.
- Hardware – 304 grade stainless steel.
- Driver – External constant current electronic driver

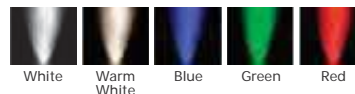
APPLICATIONS

- Offices
- Hotels & Restaurant
- Commercial Complexes
- Corridors & Lobbies
- Computer Center



| | | | | |
|--------------------|------------------|----------|--------------------|----------|
| LED Brand | Input Current | Power | Ingress Protection | lm/Watt. |
| Osram | 350mA | 4/10 | IP20 | Upto 100 |
| Material | Cover | Hardware | Wiring | Driver |
| Die Cast Aluminium | Transparent Lens | SS 304 | Series | External |

Colors Available





LT CR SLIM 12W HP LED RND/W
 LT CR SLIM 12W HP LED HEX/WC
 (INTEGRAL RECESS MOUNTING LED DOWNLIGHT)

| PRODUCT CODE | LAMP TYPE | WATTAGE (W) | VOLTAGE (V) | DIMENSIONS | |
|------------------------------|-----------|-------------|-------------|------------|----|
| | | | | A | B |
| LT CR SLIM 12W HP LED RND/W | 12W LED | 12 | 240V, 50Hz | Ø159 | 35 |
| LT CR SLIM 12W HP LED HEX/WC | 12W LED | 12 | 240V, 50Hz | Ø159 | 35 |



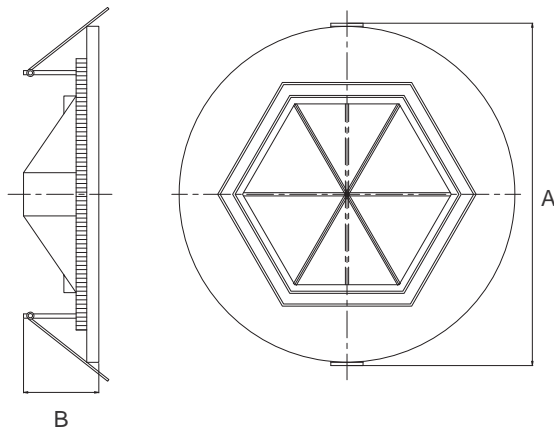
Decorative recess mounting LED downlight luminaire comprising of Die cast aluminium special alloy housing in white powder coated finish with PMMA diffuser & external constant current electronic driver.

SPECIFICATIONS

- Housing – Pressure die cast aluminium special alloy with white powder coated finish
- Cover – Diffused PMMA for glare free lighting
- Thermal Management - The heat sinking is been vigilantly tested to ensure that the LEDs hold their intensity & Kelvin color temperature over a period of time.
- Internal Wiring – PVC insulated copper wire.
- Mains Terminal – 2 way 5 amps. suitable for terminating 1.5 sq. mm cable.
- Hardware – 304 grade stainless steel.
- Driver – External constant current electronic driver

APPLICATIONS

- Offices
- Hotels & Restaurant
- Commercial Complexes
- Corridors & Lobbies
- Computer Center



| | | | | |
|---|---------------------------|--------------------|-------------------------------|------------------------------|
| LED Brand Edison/ SST/ Osram | Input Current 20mA | Power 12 | Ingress Protection IP20 | lm/Watt. Upto 10 lm/wt |
| Material Die cast al. special alloy | Cover Diffused PMMA | Hardware SS 304 | Wiring Series/ Parallel | Driver External |

Colors Available



White Warm White



LT CR ESQR 1X6W HP LED
 LT CR ESQR 1X9W HP LED

(INTEGRAL RECESS MOUNTING LED DOWNLIGHT)

| PRODUCT CODE | LAMP TYPE | WATTAGE (W) | VOLTAGE (V) | DIMENSIONS | | |
|------------------------|---------------|-------------|-------------|------------|-----|----|
| | | | | A | B | C |
| LT CR ESQR 1X6W HP LED | 6 X 1W HP LED | 8 | 240V, 50Hz | 153 | 153 | 60 |
| LT CR ESQR 1X9W HP LED | 9 X 1W HP LED | 11 | 240V, 50Hz | 153 | 153 | 60 |

Tolerance - ± 2mm



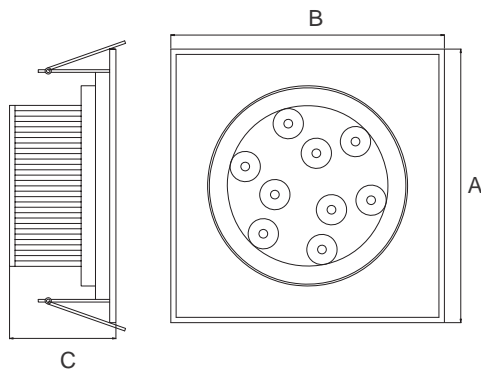
Decorative recess mounting LED downlight luminaire comprising of brushed stainless steel finish housing with transparent lens & external constant current electronic driver

SPECIFICATIONS

- Housing – Stainless steel brush finish
- Cover - Transparent Lens
- Thermal Management - The heat sinking is been vigilantly tested to ensure that the LEDS hold their intensity & Kelvin Color temprature over a period of time.
- Internal Wiring – PVC insulated copper wire.
- Mains Terminal – 2 way 5 amps. suitable for terminating 1.5 sq. mm cable.
- Hardware – 304 grade stainless steel.
- Driver – External constant current electronic driver

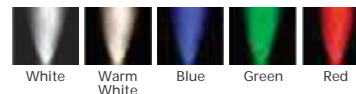
APPLICATIONS

- Offices
- Hotels & Restaurant
- Commercial Complexes
- Corridors & Lobbies
- Computer Center



| | | | | |
|-----------------|------------------|----------|--------------------|----------------|
| LED Brand | Input Current | Power | Ingress Protection | lm/Watt. |
| Osram | 350mA | 8/11 | IP20 | Upto 100 lm/wt |
| Material | Cover | Hardware | Wiring | Driver |
| Stainless Steel | Transparent Lens | SS 304 | Series/Parallel | External |

Colors Available



LED

C&S ELECTRIC



LT CRE 1X6 HP LED LT CRE 1X9 HP LED

(INTEGRAL RECESS MOUNTING LED DOWNLIGHT)

| PRODUCT CODE | LAMP TYPE | WATTAGE (W) | VOLTAGE (V) | DIMENSIONS | |
|-------------------|---------------|-------------|-------------|------------|----|
| | | | | A | B |
| LT CRE 1X6 HP LED | 6 X 1W HP LED | 8 | 240V, 50Hz | Ø120 | 50 |
| LT CRE 1X9 HP LED | 9 X 1W HP LED | 11 | 240V, 50Hz | Ø120 | 50 |

Tolerance - ± 2mm

We touch your electricity everyday!



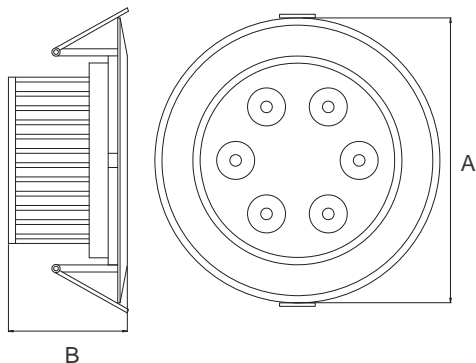
Decorative recess mounting LED downlight luminaire comprising of brushed stainless steel finish housing with transparent lens & external constant current electronic driver

SPECIFICATIONS

- Housing – Stainless steel brush finish
- Cover - Transparent Lens
- Thermal Management - The heat sinking is been vigilantly tested to ensure that the LEDs hold their intensity & Kelvin Color temperature over a period of time.
- Internal Wiring – PVC insulated copper wire.
- Mains Terminal – 2 way 5 amps. suitable for terminating 1.5 sq. mm cable.
- Hardware – 304 grade stainless steel.
- Driver – External constant current electronic driver

APPLICATIONS

- Offices
- Hotels & Restaurant
- Commercial Complexes
- Corridors & Lobbies
- Computer Center



| | | | | |
|-----------------|------------------|----------|--------------------|----------------|
| LED Brand | Input Current | Power | Ingress Protection | lm/Watt. |
| Osram | 350mA | 8/11 | IP20 | Upto 100 lm/wt |
| Material | Cover | Hardware | Wiring | Driver |
| Stainless Steel | Transparent Lens | SS 304 | Series/Parallel | External |

Colors Available



White Warm White



LT CR ESQ 1X9 HP LED LT CR ESQ 1X16 HP LED

(INTEGRAL RECESS MOUNTING LED DOWNLIGHT)

| PRODUCT CODE | LAMP TYPE | WATTAGE (W) | VOLTAGE (V) | DIMENSIONS | | |
|-----------------------|----------------|-------------|-------------|------------|-----|----|
| | | | | A | B | C |
| LT CR ESQ 1X9 HP LED | 9 X 1W HP LED | 11 | 240V, 50Hz | 145 | 145 | 73 |
| LT CR ESQ 1X16 HP LED | 16 X 1W HP LED | 20 | 240V, 50Hz | 145 | 145 | 73 |

Tolerance - ± 2mm



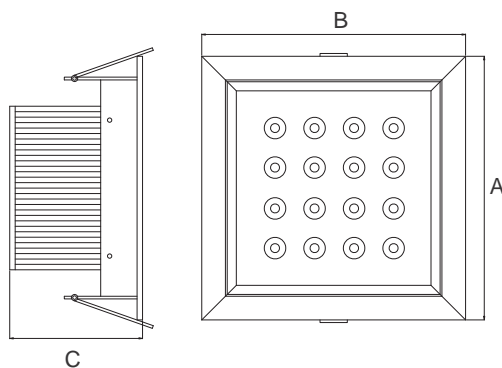
Decorative recess mounting LED downlight luminaire comprising of Die cast aluminium housing in white powder coated finish with metalised micro optics LED & external constant current electronic driver.

SPECIFICATIONS

- Housing – Die cast aluminium with white powder coated finish
- Thermal Management - The heat sinking is been vigilantly tested to ensure that the LEDs hold their intensity & Kelvin Color temperature over a period of time.
- Internal Wiring – PVC insulated copper wire.
- Cover - Micro Optics
- Mains Terminal – 2 way 5 amps. suitable for terminating 1.5 sq. mm cable.
- Hardware – 304 grade stainless steel.
- Driver – External constant current electronic driver

APPLICATIONS

- Offices
- Hotels & Restaurant
- Commercial Complexes
- Corridors & Lobbies
- Computer Center



| | | | | |
|--------------------|---------------|----------|--------------------|----------------|
| LED Brand | Input Current | Power | Ingress Protection | lm/Watt. |
| Osram | 350mA | 11/20 | IP20 | Upto 100 lm/wt |
| Material | Cover | Hardware | Wiring | Driver |
| Die Cast Aluminium | Micro Optics | SS 304 | Series/Parallel | External |

Colors Available



White Warm White



LT CS 12X1 HP LED/W

(INTEGRAL SURFACE MOUNTING LED DOWNLIGHT)

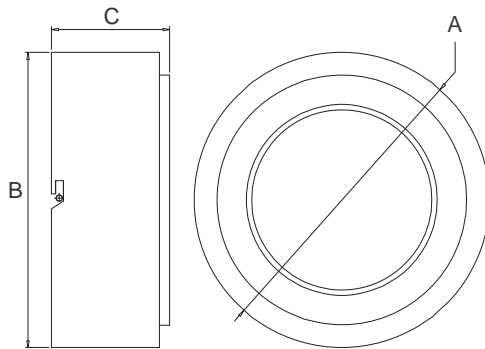
| PRODUCT CODE | LAMP TYPE | WATTAGE (W) | VOLTAGE (V) | DIMENSIONS | | |
|--------------------------|----------------|-------------|-------------|------------|------|----|
| | | | | A | B | C |
| LT CS 12X1 HP LED/W | 12 X 1W HP LED | 14 | 240V, 50Hz | Ø170 | Ø170 | 68 |
| <i>Tolerance - ± 2mm</i> | | | | | | |



Decorative surface mounting integral LED downlight luminaire comprising of sheet aluminium housing in white powder coated finish with PMMA diffuser & inbuilt constant current electronic driver

SPECIFICATIONS

- Housing – Powder coated sheet aluminium housing
- Cover - Frosted PMMA diffuser
- Thermal Management - The heat sinking is been vigilantly tested to ensure that the LEDs hold their intensity & Kelvin Color temperature over a period of time.
- Internal Wiring – PVC insulated copper wire.
- Mains Terminal – 2 way 5 amps. suitable for terminating 1.5 sq. mm cable.
- Hardware – 304 grade stainless steel.
- Driver - Inbuilt constant current electronic driver



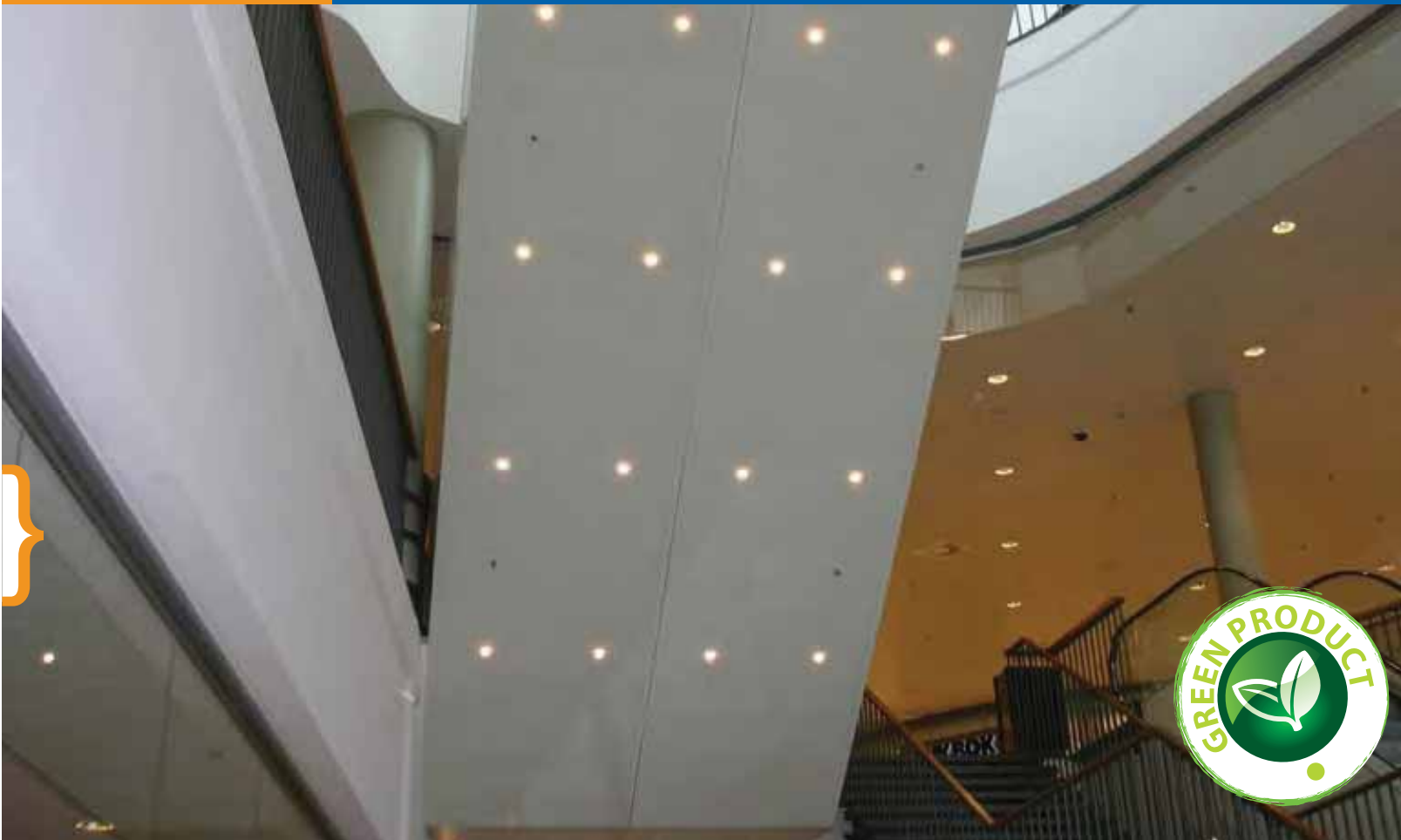
APPLICATIONS

- Offices
- Hotels & Restaurant
- Commercial Complexes
- Corridors & Lobbies
- Computer Center

| | | | | |
|-----------------|-----------------------|----------|--------------------|----------------|
| LED Brand | Input Current | Power | Ingress Protection | lm/Watt. |
| Osram | 350mA | 14 | IP20 | Upto 100 lm/wt |
| Material | Cover | Hardware | Wiring | Driver |
| Sheet Aluminium | Frosted PMMA Diffuser | SS 304 | Series/ Parallel | Inbuilt |

Colors Available





LT CS SS 1X3 HP LED/W

(INTEGRAL SURFACE MOUNTING LED DOWNLIGHT)

| PRODUCT CODE | LAMP TYPE | WATTAGE (W) | VOLTAGE (V) | DIMENSIONS | |
|--------------------------|---------------|-------------|-------------|------------|----|
| | | | | A | B |
| LT CS SS 1X3 HP LED/W | 3 X 1W HP LED | 4 | 240V, 50Hz | Ø60 | 48 |
| <i>Tolerance - ± 2mm</i> | | | | | |



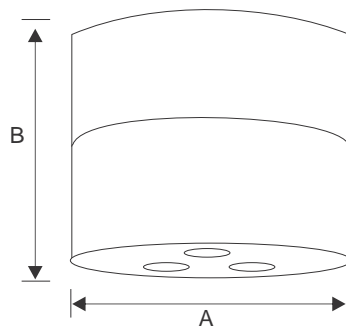
Decorative surface mounting LED downlight luminaire comprising of machined anodised aluminium housing with transparent lens & external constant current electronic driver.

SPECIFICATIONS

- Housing – Machined anodised aluminium
- Cover – Transparent lens
- Thermal Management - The heat sinking is been vigilantly tested to ensure that the LEDS hold their intensity & Kelvin Color temprature over a period of time.
- Internal Wiring – PVC insulated copper wire.
- Mains Terminal – 2 way 5 amps. suitable for terminating 1.5 sq. mm cable.
- Hardware – 304 grade stainless steel.
- Driver – External constant current electronic driver

APPLICATIONS

- Offices
- Hotels & Restaurant
- Commercial Complexes
- Corridors & Lobbies
- Computer Center



| | | | | |
|-----------------------------|------------------|----------|--------------------|----------------|
| LED Brand | Input Current | Power | Ingress Protection | lm/Watt. |
| Osram | 350mA | 4 | IP20 | Upto 100 lm/wt |
| Material | Cover | Hardware | Wiring | Driver |
| Machined Anodised Aluminium | Transparent Lens | SS 304 | Series/Parallel | External |

Colors Available





LT CR 30X1 HP LED/2X2W
 LT CR 48X1 HP LED/2X2W
 (LED MODULAR CEILING LUMINAIRE)

| PRODUCT CODE | LAMP TYPE | WATTAGE (W) | VOLTAGE (V) | DIMENSIONS | | |
|------------------------|----------------|-------------|-------------|------------|-----|----|
| | | | | A | B | C |
| LT CR 30X1 HP LED/2X2W | 30 X 1W HP LED | 35 | 240V, 50Hz | 600 | 600 | 80 |
| LT CR 48X1 HP LED/2X2W | 48 X 1W HP LED | 55 | 240V, 50Hz | 600 | 600 | 80 |

Tolerance - ± 2mm



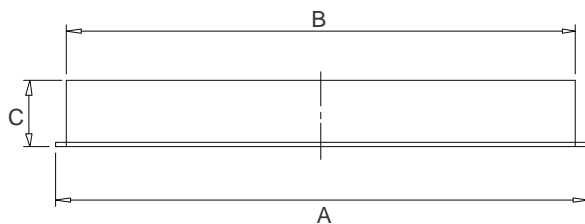
Decorative recess mounting integral LED modular ceiling luminaire comprising of powder coated sheet steel housing with extruded aluminium powder coated frame with diffused PMMA refractor & internal constant current electronic driver.

SPECIFICATIONS

- Housing – Sheet Steel in white powder coated finish
- Refractor - Diffused PMMA
- Thermal Management - The heat sinking is been vigilantly tested to ensure that the LEDS hold their intensity & Kelvin Color temprature over a period of time.
- Internal Wiring – PVC insulated copper wire.
- Mains Terminal – 2 way 5 amps. suitable for terminating 1.5 sq. mm cable.
- Hardware – 304 grade stainless steel.
- Driver - Inbuilt constant current electronic driver

APPLICATIONS

- Offices
- Hotels & Restaurant
- Commercial Complexes
- Corridors & Lobbies
- Computer Center



| | | | | |
|-------------------------|----------------------------|--------------------|----------------------------|----------------------------|
| LED Brand Osram | Input Current 350mA | Power 35/55 | Ingress Protection IP20 | lm/Watt. Upto 100 lm/wt |
| Material Sheet Steel | Refractor Diffused PMMA | Hardware SS 304 | Wiring Series/Parallel | Driver Inbuilt |

Colors Available



White Warm White



LT BL 3X1 HP LED/W (LED WALL LIGHT LUMINAIRE)

| PRODUCT CODE | LAMP TYPE | WATTAGE (W) | VOLTAGE (V) | DIMENSIONS | | |
|--------------------------|---------------|-------------|-------------|------------|----|----|
| | | | | A | B | C |
| LT BL 3X1 HP LED/W | 3 X 1W HP LED | 4 | 240V, 50Hz | 68 | 68 | 34 |
| <i>Tolerance - ± 2mm</i> | | | | | | |



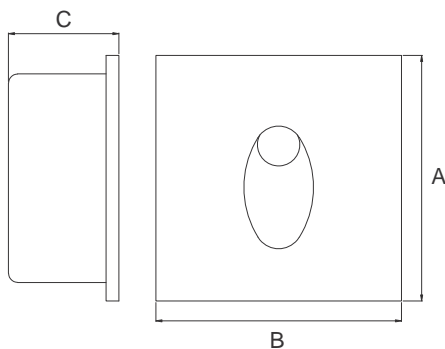
Decorative recess mounting LED wall washer luminaire comprising of Die cast aluminium housing in white powder coated finish with transparent assymetric beam lens & external constant current electronic driver

SPECIFICATIONS

- Housing – Die cast aluminium with white powder coated finish
- Cover - Transparent lens
- Thermal Management - The heat sinking is been vigilantly tested to ensure that the LEDS hold their intensity & Kelvin Color temprature over a period of time.
- Gasket – Silicon rubber with high thermal resistivity.
- Internal Wiring – PVC insulated copper wire.
- Mains Terminal – 2 way 5 amps. suitable for terminating 1.5 sq. mm cable.
- Hardware – 304 grade stainless steel.
- Driver – External constant current electronic driver

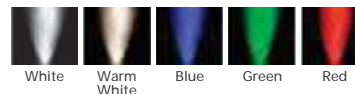
APPLICATIONS

- Offices
- Hotels & Restaurant
- Commercial Complexes
- Corridors & Lobbies
- Stair Case
- Picture Gallery



| | | | | |
|--------------------|------------------|----------|--------------------|----------------|
| LED Brand | Input Current | Power | Ingress Protection | lm/Watt. |
| Osram | 800mA | 4 | IP54 | Upto 100 lm/wt |
| Material | Cover | Hardware | Wiring | Driver |
| Die cast Aluminium | Transparent Lens | SS 304 | Parallel | External |

Colors Available



LED STREET LIGHTING - U ber

C&S LED street light range are new generation future lighting. Our LED street light luminaries has become more popular and are extensively used replacing all the existing HID street light luminaries. Our led street light luminaries are eco friendly & energy efficient. To suit different applications, they are available in variety of color, temperature & wattage, thus C&S LED street light welcomes you in new world of road lighting.

STREET LIGHT



} STREET LIGHT

We touch your electricity everyday!



LT ESS 12 HP LED
 LT ESS 20 HP LED
 LT ESS 30 HP LED
 (LED STREET LIGHT)

| PRODUCT CODE | LAMP TYPE | WATTAGE (W) | VOLTAGE (V) | DIMENSIONS | | |
|--------------------------|----------------|-------------|-------------|------------|-----|----|
| | | | | A | B | C |
| LT ESS 12 HP LED | 12 X 1W HP LED | 15 | 240V, 50Hz | 255 | 143 | 74 |
| LT ESS 20 HP LED | 20 X 1W HP LED | 24 | 240V, 50Hz | 255 | 143 | 74 |
| LT ESS 30 HP LED | 30 X 1W HP LED | 36 | 240V, 50Hz | 275 | 143 | 74 |
| <i>Tolerance - ± 2mm</i> | | | | | | |



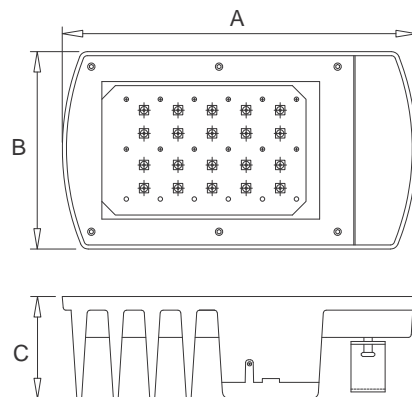
Decorative HP LED street light luminaire with wide photometry, comprising of single piece pressure die cast aluminium alloy LM24 housing with heat resistant toughened glass & constant current inbuilt electronic driver.

SPECIFICATIONS

- Housing –Single piece pressure die cast aluminium alloy Lm24
- Cover - Heat resistant toughened printed glass
- Thermal Management - The heat sinking is been vigilantly tested to ensure that the LEDS hold their intensity & Kelvin Color temprature over a period of time.
- Gasket – Silicon rubber with high thermal resistivity.
- Internal Wiring – PVC insulated copper wire.
- Mains Terminal – 2 way 5 amps. suitable for terminating 1.5 sq. mm cable.
- Hardware – 304 grade stainless steel.
- Driver - Inbuilt constant current electronic driver

APPLICATIONS

- Streets
- Parks & Parkings
- Roundabouts
- Malls
- Factories



| | | | | |
|--------------------|-----------------|----------|--------------------|----------------|
| LED Brand | Input Current | Power | Ingress Protection | lm/Watt. |
| Osram | 350mA | 15/24/36 | IP65 | Upto 100 lm/wt |
| Material | Cover | Hardware | Wiring | Driver |
| Die Cast Aluminium | Toughened Glass | SS 304 | Series/ Parallel | Inbuilt |

Colors Available





LT ESS 12 HP LED/LS
 LT ESS 20 HP LED/LS
 LT ESS 30 HP LED/LS

(LED STREET LIGHT)

| PRODUCT CODE | LAMP TYPE | WATTAGE (W) | VOLTAGE (V) | DIMENSIONS | | |
|--------------------------|----------------|-------------|-------------|------------|-----|----|
| | | | | A | B | C |
| LT ESS 12HPLED/LS | 12 X 1W HP LED | 15 | 240V, 50Hz | 255 | 143 | 74 |
| LT ESS 20 HP LED/LS | 20 X 1W HP LED | 24 | 240V, 50Hz | 255 | 143 | 74 |
| LT ESS 30 HP LED/LS | 30 X 1W HP LED | 36 | 240V, 50Hz | 275 | 143 | 74 |
| <i>Tolerance - ± 2mm</i> | | | | | | |



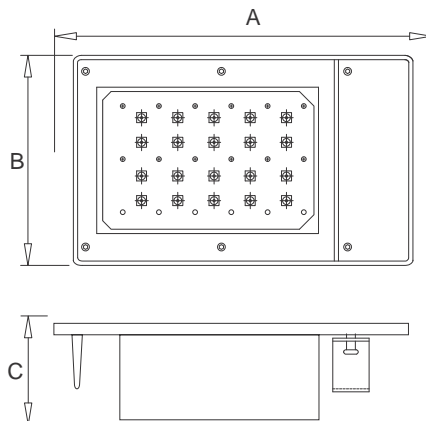
Decorative HP LED street light luminaire with 120 degree X 60 degree streetlight photometry with lens optics on LEDs, comprising of single piece pressure die cast aluminium alloy LM24 housing with heat resistant toughened printed glass & constant current inbuilt electronic driver.

SPECIFICATIONS

- Housing –Single piece pressure die cast aluminium alloy LM24
- Cover - Heat resistant toughened printed glass
- Thermal Management - The heat sinking is been vigilantly tested to ensure that the LEDS hold their intensity & Kelvin Color temprature over a period of time.
- Gasket – Silicon rubber with high thermal resistivity.
- Internal Wiring – PVC insulated copper wire.
- Mains Terminal – 2 way 5 amps. suitable for terminating 1.5 sq. mm cable.
- Hardware – 304 grade stainless steel.
- Driver - Inbuilt constant current electronic driver

APPLICATIONS

- Streets
- Parks & Parkings
- Roundabouts
- Malls
- Factories



| | | | | |
|--------------------|-----------------|----------|--------------------|----------------|
| LED Brand | Input Current | Power | Ingress Protection | lm/Watt. |
| Osram | 350mA | 15/24/36 | IP65 | Upto 100 lm/wt |
| Material | Cover | Hardware | Wiring | Driver |
| Die Cast Aluminium | Toughened Glass | SS 304 | Series/ Parallel | Inbuilt |

Colors Available





LT ESS 40 HP LED
 LT ESS 60 HP LED
 LT ESS 80 HP LED
 LT ESS 100 HP LED
 (LED STREET LIGHT)

| PRODUCT CODE | LAMP TYPE | WATTAGE (W) | VOLTAGE (V) | DIMENSIONS | | |
|-------------------|-----------------|-------------|-------------|------------|-----|----|
| | | | | A | B | C |
| LT ESS 40 HP LED | 40 X 1W HP LED | 48 | 240V, 50Hz | 455 | 200 | 62 |
| LT ESS 60 HP LED | 60 X 1W HP LED | 72 | 240V, 50Hz | 455 | 200 | 62 |
| LT ESS 80 HP LED | 80 X 1W HP LED | 96 | 240V, 50Hz | 530 | 245 | 82 |
| LT ESS 100 HP LED | 100 X 1W HP LED | 120 | 240V, 50Hz | 590 | 243 | 85 |

Tolerance - ± 2mm



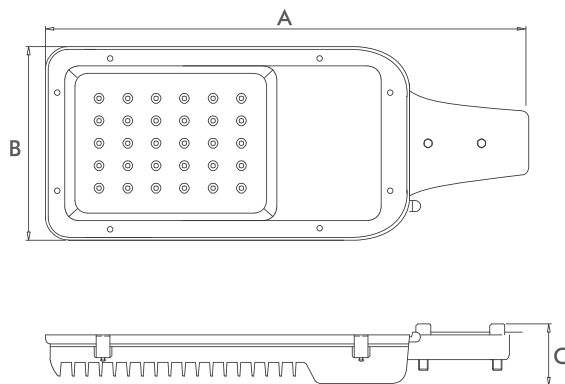
Decorative HP LED street light luminaire with wide photometry, comprising of single piece pressure die cast aluminium alloy LM24 housing with heat resistant toughened printed glass & constant current inbuilt electronic driver.

SPECIFICATIONS

- Housing –Single piece pressure die cast aluminium alloy LM24
- Cover - Heat resistant toughened printed glass
- Thermal Management - The heat sinking is been vigilantly tested to ensure that the LEDS hold their intensity & Kelvin color temperature over a period of time.
- Gasket – Silicon rubber with high thermal resistivity.
- Internal Wiring – PVC insulated copper wire.
- Mains Terminal – 2 way 5 amps. suitable for terminating 1.5 sq. mm cable.
- Hardware – 304 grade stainless steel.
- Driver - Inbuilt constant current electronic driver

APPLICATIONS

- Streets
- Parks & Parkings
- Roundabouts
- Malls
- Factories



| | | | | |
|--------------------|-----------------|---------------|--------------------|----------------|
| LED Brand | Input Current | Power | Ingress Protection | lm/Watt. |
| Osram | 350mA | 48/72/96 /120 | Ip65 | Upto 100 lm/wt |
| Material | Cover | Hardware | Wiring | Driver |
| Die cast Aluminium | Toughened Glass | SS 304 | Series/ Parallel | Inbuilt |

Colors Available





LT ESS 40 HP LED/LS
 LT ESS 60 HP LED/LS
 LT ESS 80 HP LED/LS
 LT ESS 100 HP LED/LS
 (LED STREET LIGHT)

| PRODUCT CODE | LAMP TYPE | WATTAGE (W) | VOLTAGE (V) | DIMENSIONS | | |
|----------------------|-----------------|-------------|-------------|------------|-----|----|
| | | | | A | B | C |
| LT ESS 40 HP LED/LS | 40 X 1W HP LED | 48 | 240V, 50Hz | 455 | 200 | 62 |
| LT ESS 60 HP LED/LS | 60 X 1W HP LED | 72 | 240V, 50Hz | 455 | 200 | 62 |
| LT ESS 80 HP LED/LS | 80 X 1W HP LED | 96 | 240V, 50Hz | 530 | 245 | 82 |
| LT ESS 100 HP LED/LS | 100 X 1W HP LED | 120 | 240V, 50Hz | 590 | 243 | 85 |

Tolerance - $\pm 2mm$



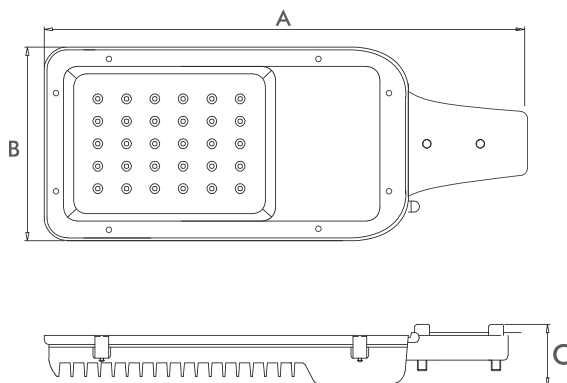
Decorative HP LED street light luminaire with 120 degree X 60 degree streetlight photometry with lens optics on LEDs, comprising of single piece pressure die cast aluminium alloy LM24 housing with heat resistant toughened printed glass & constant current inbuilt electronic driver.

SPECIFICATIONS

- Housing –Single piece pressure die cast aluminium alloy LM24
- Cover - Heat resistant toughened printed glass
- Thermal Management - The heat sinking is been vigilantly tested to ensure that the LEDS hold their intensity & Kelvin Color temprature over a period of time.
- Gasket – Silicon rubber with high thermal resistivity.
- Internal Wiring – PVC insulated copper wire.
- Mains Terminal – 2 way 5 amps. suitable for terminating 1.5 sq. mm cable.
- Hardware – 304 grade stainless steel.
- Driver - Inbuilt constant current electronic driver

APPLICATIONS

- Streets
- Parks & Parkings
- Roundabouts
- Malls
- Factories



| | | | | |
|--------------------|-----------------|---------------|--------------------|----------------|
| LED Brand | Input Current | Power | Ingress Protection | lm/Watt. |
| Osram | 350mA | 48/72/96 /120 | IP65 | Upto 100 lm/wt |
| Material | Cover | Hardware | Wiring | Driver |
| Die Cast Aluminium | Toughened Glass | SS 304 | Series/ Parallel | Inbuilt |

Colors Available





LT SS 42 HP LED/W
 LT SS 84 HP LED/W
 LT SS 112 HP LED/W
 LT SS 196 HP LED/W

(LED STREET LIGHT)

| PRODUCT CODE | LAMP TYPE | WATTAGE (W) | VOLTAGE (V) | DIMENSIONS | | |
|--------------------|-----------------|-------------|-------------|------------|-----|-----|
| | | | | A | B | C |
| LT SS 42 HP LED/W | 42 X 1W HP LED | 46 | 240V, 50Hz | 263 | 298 | 142 |
| LT SS 84 HP LED/W | 84 X 1W HP LED | 94 | 240V, 50Hz | 828 | 298 | 142 |
| LT SS 112 HP LED/W | 112 X 1W HP LED | 125 | 240V, 50Hz | 263 | 298 | 142 |
| LT SS 196 HP LED/W | 196 X 1W HP LED | 219 | 240V, 50Hz | 828 | 298 | 142 |

Tolerance - $\pm 2mm$



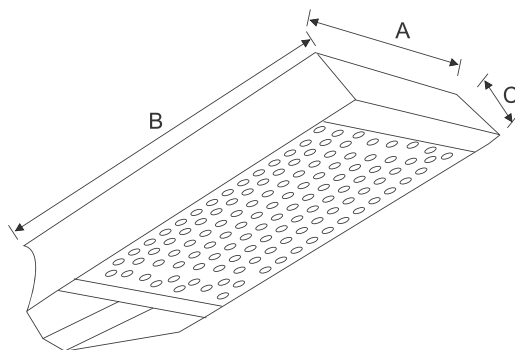
Decorative HP LED street light luminaire with 120 degree X 60 degree streetlight photometry with lens optics on LEDs, comprising of extruded aluminium section with heat resistant acrylic cover & constant current inbuilt electronic driver.

SPECIFICATIONS

- Housing –Extruded aluminium sections
- Cover - Heat resistant acrylic
- Thermal Management - The heat sinking is been vigilantly tested to ensure that the LEDS hold their intensity & Kelvin Color temprature over a period of time.
- Gasket – Silicon rubber with high thermal resistivity.
- Internal Wiring – PVC insulated copper wire.
- Mains Terminal – 2 way 5 amps. suitable for terminating 1.5 sq. mm cable.
- Hardware – 304 grade stainless steel.
- Driver - Inbuilt constant current electronic driver

APPLICATIONS

- Highways
- Road junctions
- Service lanes
- Squares
- Roundabouts



| | | | | |
|----------------------|---------------|----------------|--------------------|----------------|
| LED Brand | Input Current | Power | Ingress Protection | lm/Watt. |
| Osram | 350mA | 46/94/125 /219 | IP66 | Upto 100 lm/wt |
| Material | Cover | Hardware | Wiring | Driver |
| Extruded AL. Section | Acrylic | SS 304 | Series/ Parallel | Inbuilt |

Colors Available



LED FAÇADE LIGHTING- *Draco*

C&S LED façade lighting can give your civil & heritage buildings a “complete look” making it stand out by enhancing its beauty. It highlights archaeological & structural importance of modern & heritage buildings. Equipped with extreme quality of high power LEDs, these green façade lighting products helps in creating a dynamic and futuristic look of your building.



} FLOOD LIGHT



LT FC 103X1 HP LED/MR16W
 LT FC 203X1 HP LED MR16W
 LT FC 107X1 HP LED/MR16W
 LT FC 207X1 HP LED MR16W
 LT FC 1012X1 HP LED/MR16W
 LT FC 2012X1 HP LED MR16W

| PRODUCT CODE | LAMP TYPE | WATTAGE (W) | VOLTAGE (V) | DIMENSIONS | | |
|----------------------------|----------------|-------------|-------------|------------|-----|-----|
| | | | | A | B | C |
| LT FC 103X1 HP LED/MR16W | 3 X 1W HP LED | 4 | 240V, 50Hz | 65 | 205 | 90 |
| LT FC 203X1 HP LED/MR16W | 6 X 1W HP LED | 8 | 240V, 50Hz | 65 | 205 | 90 |
| LT FC 107X1 HP LED/PAR20W | 7 X 1W HP LED | 8 | 240V, 50Hz | 65 | 205 | 90 |
| LT FC 207X1 HP LED/PAR20W | 14 X 1W HP LED | 16 | 240V, 50Hz | 65 | 205 | 90 |
| LT FC 1012X1 HP LED/PAR38W | 12 X 1W HP LED | 14 | 240V, 50Hz | 160 | 365 | 240 |
| LT FC 2012X1 HP LED/PAR38W | 24 X 1W HP LED | 28 | 240V, 50Hz | 160 | 365 | 240 |

Tolerance - $\pm 2\text{mm}$

(INTEGRAL COLUMN LIGHT LUMINAIRE)



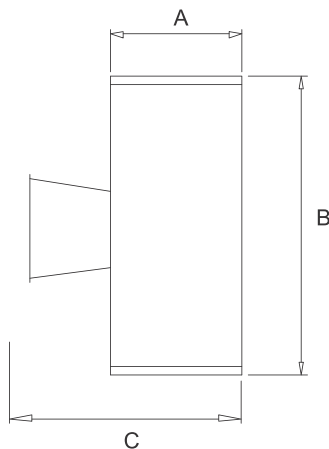
Decorative wall mounting integral LED column light luminaire comprising of powder coated aluminium section with die cast support for mounting on wall/surface with transparent glass & inbuilt constant current electronic driver.

SPECIFICATIONS

- Housing – Powder coated aluminium section with die cast support
- Cover - Die cast aluminium powder coated
- Glass - Transparent glass
- Thermal Management - The heat sinking is been vigilantly tested to ensure that the LEDs hold their intensity & Kelvin Color temprature over a period of time.
- Gasket – Silicon rubber with high thermal resistivity.
- Internal Wiring – PVC insulated copper wire.
- Mains Terminal – 2 way 5 amps. suitable for terminating 1.5 sq. mm cable.
- Hardware – 304 grade stainless steel.
- Driver - Inbuilt constant current electronic driver

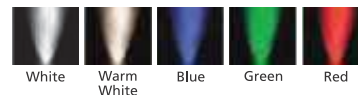
APPLICATIONS

- Facades
- Hotels & Restaurants
- Monuments
- Corridors & Lobbies



| | | | | |
|-------------------------------|------------------------|-----------------------|----------------------------|----------------------------|
| LED Brand Osram | Input Current 350mA | Power 4/8/14/16/28 | Ingress Protection IP65 | lm/Watt. Upto 100 lm/WT |
| Material Aluminium Section | Cover Clear Glass | Hardware SS 304 | Wiring Series/ Parallel | Driver Inbuilt |

Colors Available





LT FI 42W HP LED/W
 LT FI 84 HP LED/W
 LT FI 112W HP LED/W
 LT FI 196 HP LED/W

(LED FLOOD LIGHT)

| PRODUCT CODE | LAMP TYPE | WATTAGE (W) | VOLTAGE (V) | DIMENSIONS | | |
|---------------------|-----------------|-------------|-------------|------------|-----|-----|
| | | | | A | B | C |
| LT FI 42W HP LED/W | 42 X 1W HP LED | 46 | 240V, 50Hz | 166 | 300 | 175 |
| LT FI 84W HP LED/W | 84 X 1W HP LED | 94 | 240V, 50Hz | 166 | 300 | 175 |
| LT FI 112W HP LED/W | 112 X 1W HP LED | 125 | 240V, 50Hz | 295 | 300 | 175 |
| LT FI 196W HP LED/W | 196 X 1W HP LED | 219 | 240V, 50Hz | 662 | 300 | 175 |

Tolerance - $\pm 2mm$



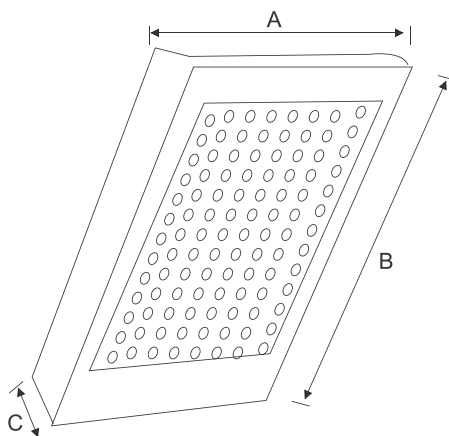
Decorative HP LED flood light luminaire with 60 degree X 60 degree flood light photometry with lens optics on LEDs, comprising of extruded aluminium section with heat resistant acrylic cover & constant current inbuilt electronic driver.

SPECIFICATIONS

- Housing - Extruded aluminium section
- Cover - Heat resistant acrylic
- Thermal Management - The heat sinking is been vigilantly tested to ensure that the LEDs hold their intensity & Kelvin Color temperature over a period of time.
- Gasket – Silicon rubber with high thermal resistivity.
- Internal Wiring – PVC insulated copper wire.
- Mains Terminal – 2 way 5 amps. suitable for terminating 1.5 sq. mm cable.
- Hardware – 304 grade stainless steel.
- Driver - Inbuilt constant current electronic driver

APPLICATIONS

- Tunnels
- Airports
- Building facades
- Under pass
- Subways



| | | | | |
|----------------------------|---------------|----------------|--------------------|----------------|
| LED Brand | Input Current | Power | Ingress Protection | lm/Watt. |
| Osram | 350mA | 46/94/125 /219 | IP66 | Upto 100 lm/wt |
| Material | Cover | Hardware | Wiring | Driver |
| Extruded Aluminium Section | Acrylic | SS 304 | Series/ Parallel | Inbuilt |

Colors Available



White Warm White



LT EFI 30 HP LED
 LT EFI 40 HP LED
 LT EFI 60 HP LED
 LT EFI 80 HP LED
 (LED FLOOD LIGHT)

| PRODUCT CODE | LAMP TYPE | WATTAGE (W) | VOLTAGE (V) | DIMENSIONS | | |
|------------------|----------------|-------------|-------------|------------|-----|----|
| | | | | A | B | C |
| LT EFI 30 HP LED | 30 X 1W HP LED | 36 | 240V, 50Hz | 257 | 143 | 74 |
| LT EFI 40 HP LED | 40 X 1W HP LED | 48 | 240V, 50Hz | 330 | 200 | 65 |
| LT EFI 60 HP LED | 60 X 1W HP LED | 72 | 240V, 50Hz | 330 | 200 | 65 |
| LT EFI 80 HP LED | 80 X 1W HP LED | 96 | 240V, 50Hz | 330 | 200 | 65 |

Tolerance - $\pm 2mm$



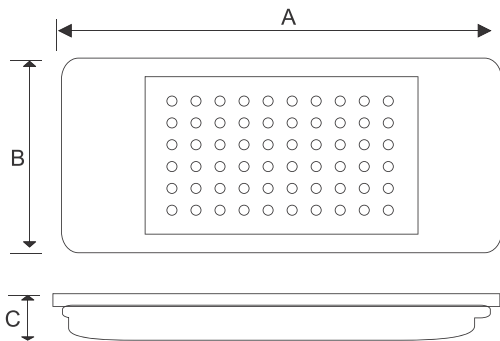
Decorative HP LED flood light luminaire with 60 degree X 60 degree floodlight photometry comprising of single piece pressure die cast aluminium alloy LM24 housing with heat resistant toughened printed glass & constant current inbuilt electronic driver.

SPECIFICATIONS

- Housing - Single piece pressure die cast aluminium alloy LM24.
- Cover - Heat resistant toughened printed glass
- Thermal Management - The heat sinking is been vigilantly tested to ensure that the LEDES hold their intensity & Kelvin Color temperature over a period of time.
- Gasket – Silicon rubber with high thermal resistivity.
- Internal Wiring – PVC insulated copper wire.
- Mains Terminal – 2 way 5 amps. suitable for terminating 1.5 sq. mm cable.
- Hardware – 304 grade stainless steel.
- Driver - Inbuilt constant current electronic driver

APPLICATIONS

- Tunnels
- Airports
- Building facades
- Under pass
- Subways



| | | | | |
|--------------------------------|--------------------------|----------------------|----------------------------|----------------------------|
| LED Brand Osram | Input Current 350mA | Power 36/48/72/96 | Ingress Protection IP65 | lm/Watt. Upto 100 lm/wt |
| Material Die Cast Aluminium | Cover Toughened Glass | Hardware SS 304 | Wiring Series/Parallel | Driver Inbuilt |

Colors Available



White Warm White



LT EIH 60 HP LED
 LT EIH 80 HP LED
 LT EIH 100 HP LED

(LED FLOOD LIGHT)

| PRODUCT CODE | LAMP TYPE | WATTAGE (W) | VOLTAGE (V) | DIMENSIONS | | |
|-------------------|-----------------|-------------|-------------|------------|-----|----|
| | | | | A | B | C |
| LT EIH 60 HP LED | 60 X 1W HP LED | 72 | 240V, 50Hz | 330 | 200 | 65 |
| LT EIH 80 HP LED | 80 X 1W HP LED | 96 | 240V, 50Hz | 330 | 200 | 65 |
| LT EIH 100 HP LED | 100 X 1W HP LED | 120 | 240V, 50Hz | 330 | 200 | 65 |
| Tolerance - ± 2mm | | | | | | |



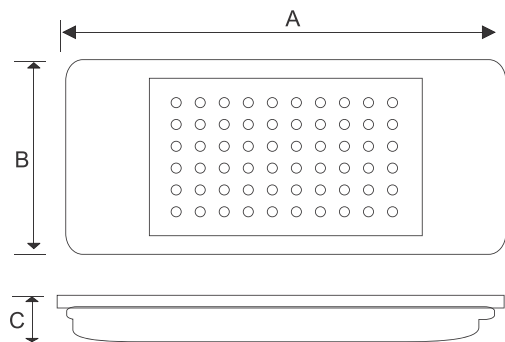
Decorative HP LED industrial highbay luminaire with 60 degree X 60 degree highbay photometry, comprising of single piece pressure die cast aluminium alloy LM24 housing with heat resistant toughened printed glass & constant current inbuilt electronic driver.

SPECIFICATIONS

- Housing - Single piece pressure die cast aluminium alloy LM24.
- Cover - Heat resistant toughened printed glass
- Thermal Management - The heat sinking is been vigilantly tested to ensure that the LEDs hold their intensity & Kelvin Color temperature over a period of time.
- Gasket – Silicon rubber with high thermal resistivity.
- Internal Wiring – PVC insulated copper wire.
- Mains Terminal – 2 way 5 amps. suitable for terminating 1.5 sq. mm cable.
- Hardware – 304 grade stainless steel.
- Driver - Inbuilt constant current electronic driver

APPLICATIONS

- Tunnels
- Airports
- Building facades
- Under pass
- Subways



| | | | | |
|--------------------|-----------------|-----------|--------------------|----------------|
| LED Brand | Input Current | Power | Ingress Protection | lm/Watt. |
| Osram | 350mA | 72/96/120 | IP65 | Upto 100 lm/wt |
| Material | Cover | Hardware | Wiring | Driver |
| Die Cast Aluminium | Toughened Glass | SS 304 | Series/Parallel | Inbuilt |

Colors Available



White Warm White

LED LANDSCAPE LIGHTING - *Gina*

C&S LED landscape lighting range gives a whimsical feel, adding more greens to your landscapes. LED based energy efficient post top lantern, ground burial adds new dimension in your garden lighting by bringing it to life at night. C&S LED landscape lights are ideal for illuminating walkways & landscaping accents.



} LANDSCAPE

LED

C&S ELECTRIC



LT FGB 1X1 HP LED/MR11W (LED GROUND BURIAL LIGHT)

| PRODUCT CODE | LAMP TYPE | WATTAGE (W) | VOLTAGE (V) | DIMENSIONS | |
|--|---------------|-------------|-------------|------------|----|
| | | | | A | B |
| LT FGB 1X1W HP LED/MR11W <i>Tolerance - ± 2mm</i> | 1 X 1W HP LED | 1 | 240V, 50Hz | Ø55 | 60 |

We touch your electricity everyday!

Decorative around / wall recess mounting Integral drive over/walk over HP LED ground burial luminaire comprising of die cast aluminium housing with cover ring in stainless steel finish & toughened/frosted glass, with inbuilt constant current electronic driver.

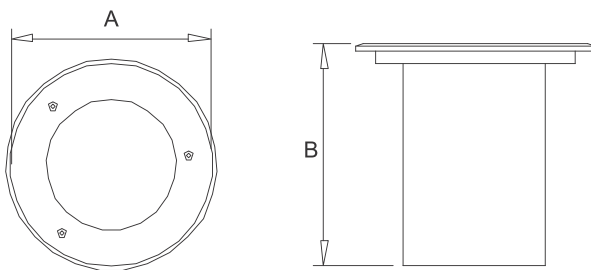


SPECIFICATIONS

- Housing – Diecast aluminium.
- Diffuser – Toughened clear or frosted glass.
- Cover ring – Stainless steel finish
- Thermal Management - The heat sinking is been vigilantly tested to ensure that the LEDS hold their intensity & Kelvin Color temprature over a period of time.
- Gasket – Silicon rubber with high thermal resistivity.
- Internal Wiring – PVC insulated copper wire.
- Mains Terminal – 2 way 5 amps. suitable for terminating 1.5 sq. mm cable.
- Hardware – 304 grade stainless steel.
- Driver – Inbuilt constant current electronic driver

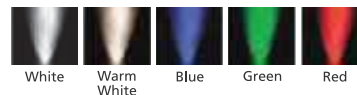
APPLICATIONS

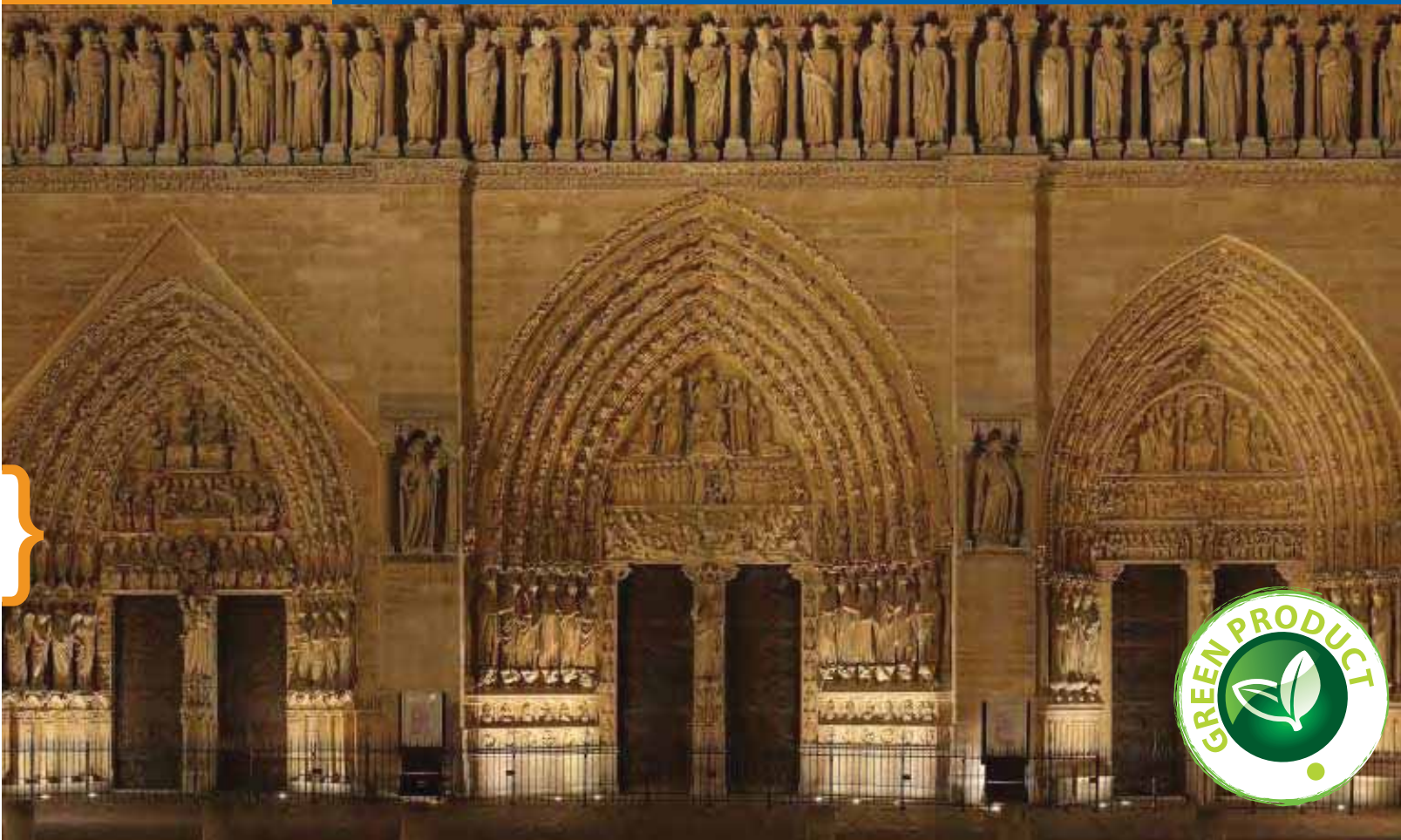
- Parks & Gardens
- Public areas
- Pathways



| | | | | |
|---------------------------------------|---------------------------------|---------------------------|-----------------------------------|-----------------------------------|
| LED Brand Osram | Input Current 350mA | Power 1 | Ingress Protection IP67 | lm/Watt. Upto 100 lm/wt |
| Material Die cast Aluminium | Cover Toughened Glass | Hardware SS 304 | Wiring Series/ Parallel | Driver Inbuilt |

Colors Available





LT FGB 3X1 HP LED/MR16W

(LED GROUND BURIAL LIGHT)

| PRODUCT CODE | LAMP TYPE | WATTAGE (W) | VOLTAGE (V) | DIMENSIONS | |
|--|---------------|-------------|-------------|------------|-----|
| | | | | A | B |
| LT FGB 3X1W HP LED/MR16W <i>Tolerance - ± 2mm</i> | 3 X 1W HP LED | 4 | 240V, 50Hz | Ø150 | 140 |



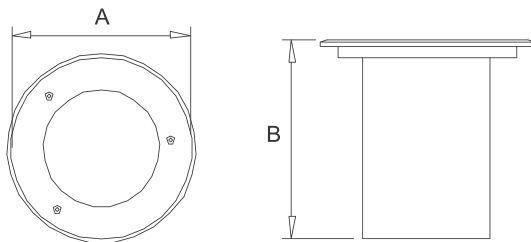
Decorative recess mounting Integral drive over/walk over HP LED ground burial luminaire comprising of die cast aluminium housing with cover ring in stainless steel finish & toughened/frosted glass, with inbuilt constant current electronic driver.

SPECIFICATIONS

- Housing – Diecast aluminium.
- Diffuser – Toughened clear or frosted glass.
- Cover ring – Stainless steel finish
- Thermal Management - The heat sinking is been vigilantly tested to ensure that the LEDS hold their intensity & Kelvin Color temprature over a period of time.
- Gasket – Silicon rubber with high thermal resistivity.
- Internal Wiring – PVC insulated copper wire.
- Mains Terminal – 2 way 5 amps. suitable for terminating 1.5 sq. mm cable.
- Hardware – 304 grade stainless steel.
- Driver – Inbuilt constant current electronic driver

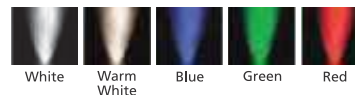
APPLICATIONS

- Parks & Gardens
- Public areas
- Pathways



| | | | | |
|--------------------|-----------------|----------|--------------------|----------------|
| LED Brand | Input Current | Power | Ingress Protection | lm/Watt. |
| Osram | 350mA | 4 | IP67 | Upto 100 lm/wt |
| Material | Cover | Hardware | Wiring | Driver |
| Die Cast Aluminium | Toughened Glass | SS 304 | Series/ Parallel | Inbuilt |

Colors Available



LED

C&SELECTRIC



LT FGB 7X1 HP LED/PAR30 W
 LT FGB 12X1 HP LED/PAR38 W
 (LED GROUND BURIAL LIGHT)

| PRODUCT CODE | LAMP TYPE | WATTAGE (W) | VOLTAGE (V) | DIMENSIONS | |
|----------------------------|----------------|-------------|-------------|------------|-----|
| | | | | A | B |
| LT FGB 7X1 HP LED/PAR30 W | 7 X 1W HP LED | 8 | 240V, 50Hz | Ø220 | 175 |
| LT FGB 12X1 HP LED/PAR38 W | 12 X 1W HP LED | 14 | 240V, 50Hz | Ø220 | 175 |

Tolerance - ± 2mm

We touch your electricity everyday!

Decorative around/wall recess mounting Integral drive over/walk over HP LED ground burial luminaire comprising of die cast aluminium housing with cover ring in stainless steel finish & toughened/frosted glass, with inbuilt constant current electronic driver.

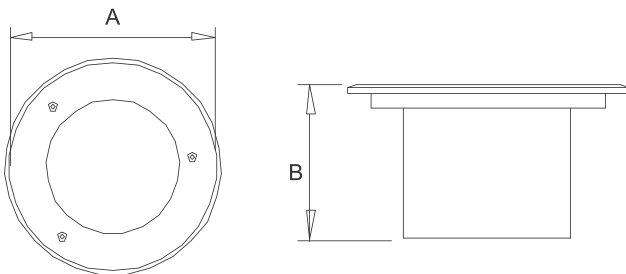


SPECIFICATIONS

- Housing – Diecast aluminium.
- Diffuser – Toughened clear or frosted glass.
- Cover ring – Stainless steel finish
- Thermal Management - The heat sinking is been vigilantly tested to ensure that the LEDS hold their intensity & Kelvin Color temprature over a period of time.
- Gasket – Silicon rubber with high thermal resistivity.
- Internal Wiring – PVC insulated copper wire.
- Mains Terminal – 2 way 5 amps. suitable for terminating 1.5 sq. mm cable.
- Hardware – 304 grade stainless steel.
- Driver – Inbuilt constant current electronic driver

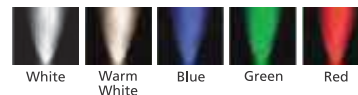
APPLICATIONS

- Parks & Gardens
- Public areas
- Pathways



| | | | | |
|--------------------------------|--------------------------|--------------------|----------------------------|----------------------------|
| LED Brand Osram | Input Current 350mA | Power 8/14 | Ingress Protection IP67 | lm/Watt. Upto 100 lm/WT |
| Material Die Cast Aluminium | Cover Toughened Glass | Hardware SS 304 | Wiring Series/Parallel | Driver Inbuilt |

Colors Available





LT GL DS-6X1 HP LED/W (INTEGRAL BOLLARD LUMINAIRE)

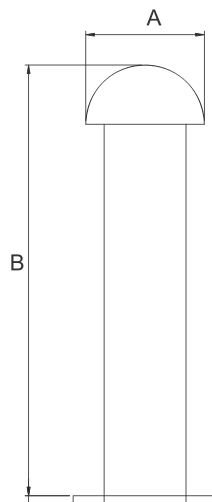
| PRODUCT CODE | LAMP TYPE | WATTAGE (W) | VOLTAGE (V) | DIMENSIONS | |
|---------------------|---------------|-------------|-------------|------------|-----|
| | | | | A | B |
| LT GL DS-6X1 HP LED | 6 X 1W HP LED | 7 | 240V, 50Hz | Ø160 | 600 |
| Tolerance - ± 2mm | | | | | |



Decorative HP LED mushroom shape bollard comprising of aluminium extruded section with die cast aluminium cover on its top & frosted diffuser for soft light distribution with external constant current electronic driver.

SPECIFICATIONS

- Housing – Powder coated aluminium extruded section with die cast aluminium cover
- Diffuser – Frosted glass.
- Thermal Management - The heat sinking is been vigilantly tested to ensure that the LEDS hold their intensity & Kelvin Color temprature over a period of time.
- Gasket – Silicon rubber with high thermal resistivity.
- Internal Wiring – PVC insulated copper wire.
- Mains Terminal – 2 way 5 amps. suitable for terminating 1.5 sq. mm cable.
- Hardware – 304 grade stainless steel.
- Driver – External constant current electronic driver



APPLICATIONS

- Parks & Gardens
- Public areas
- Path lighting
- Monuments

| | | | | |
|----------------------|------------------|----------|--------------------|----------------|
| LED Brand | Input Current | Power | Ingress Protection | lm/Watt. |
| Osram | 350mA | 7 | IP55 | Upto 100 lm/wt |
| Material | Cover | Hardware | Wiring | Driver |
| Extruded Al. Section | Frosted Diffuser | SS 304 | Series/ Parallel | External |

Colors Available



White Warm White



LT GL DS-9X1 HP LED/W (INTEGRAL BOLLARD LUMINAIRE)

| PRODUCT CODE | LAMP TYPE | WATTAGE (W) | VOLTAGE (V) | DIMENSIONS | |
|-----------------------|---------------|-------------|-------------|------------|-----|
| | | | | A | B |
| LT GL DS-9X1 HP LED/W | 9 X 1W HP LED | 10 | 240V, 50Hz | ø115 | 600 |

Tolerance - ± 2mm



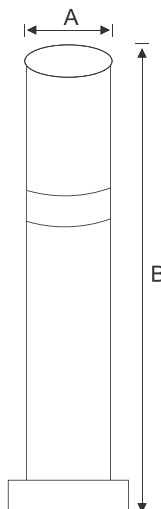
Decorative HP LED bollard comprising of aluminium extruded section with die cast aluminium cover on its top & frosted diffuser for soft light distribution with external constant current electronic driver.

SPECIFICATIONS

- Housing – Powder coated aluminium extruded section with die cast aluminium cover
- Cover – Frosted diffuser
- Thermal Management - The heat sinking is been vigilantly tested to ensure that the LEDs hold their intensity & Kelvin Color temperature over a period of time.
- Gasket – Silicon rubber with high thermal resistivity.
- Internal Wiring – PVC insulated copper wire.
- Mains Terminal – 2 way 5 amps. suitable for terminating 1.5 sq. mm cable.
- Hardware – 304 grade stainless steel.
- Driver – External constant current electronic driver

APPLICATIONS

- Parks & Gardens
- Public areas
- Path lighting
- Monuments



| | | | | |
|----------------------|------------------|----------|--------------------|----------------|
| LED Brand | Input Current | Power | Ingress Protection | lm/Watt. |
| Osram | 350mA | 10 | IP55 | Upto 100 lm/wt |
| Material | Cover | Hardware | Wiring | Driver |
| Extruded Al. Section | Frosted Diffuser | SS 304 | Series/ Parallel | External |

Colors Available



White Warm White



LT GL 31-27X1 HP LED/W

(INTEGRAL POST TOP LANTERN LUMINAIRE)

| PRODUCT CODE | LAMP TYPE | WATTAGE (W) | VOLTAGE (V) | DIMENSIONS | |
|------------------------|----------------|-------------|-------------|------------|-----|
| | | | | A | B |
| LT GL 31-27X1 HP LED/W | 27 X 1W HP LED | 30 | 240V, 50Hz | ø600 | 500 |
| Tolerance - ± 2mm | | | | | |



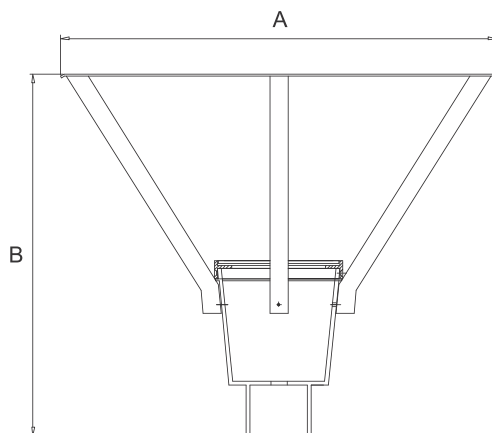
Decorative indirect lighting HP LED post top lantern comprising of powder coated die cast aluminium alloy housing with UV stabilised clear lens, toughened glass diffuser & painted deflector with external constant current electronic driver.

SPECIFICATIONS

- Housing – Powder coated die cast aluminium alloy.
- Diffuser – Toughened glass diffuser
- Deflector – Painted aluminium.
- Thermal Management - The heat sinking is been vigilantly tested to ensure that the LEDS hold their intensity & Kelvin Color temprature over a period of time.
- Gasket – Silicon rubber with high thermal resistivity.
- Internal Wiring – PVC insulated copper wire.
- Mains Terminal – 2 way 5 amps. suitable for terminating 1.5 sq. mm cable.
- Hardware – 304 grade stainless steel.
- Driver – External constant current electronic driver

APPLICATIONS

- Parks & Gardens
- Public areas
- Security lighting
- Pathways
- Residential colonies



| | | | | |
|--------------------|---------------|----------|--------------------|---------------|
| LED Brand | Input Current | Power | Ingress Protection | lm/Watt. |
| Osram | 350mA | 30 | IP66 | Upto 100lm/wt |
| Material | Deflector | Hardware | Wiring | Driver |
| Die Cast Aluminium | Aluminium | SS 304 | Series/Parallel | External |

Colors Available



White Warm White



LT GL 32-27X1 HP LED/W

(INTEGRAL POST TOP LANTERN LUMINAIRE)

| PRODUCT CODE | LAMP TYPE | WATTAGE (W) | VOLTAGE (V) | DIMENSIONS | |
|------------------------|----------------|-------------|-------------|------------|-----|
| | | | | A | B |
| LT GL 32-27X1 HP LED/W | 27 X 1W HP LED | 30 | 240V, 50Hz | Ø600 | 500 |
| Tolerance - ± 2mm | | | | | |



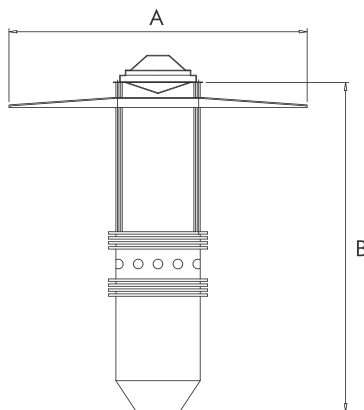
Decorative indirect lighting HP LED post top lantern comprising of powder coated die cast aluminium alloy housing with UV stabilised clear lens, toughened glass & one piece PMMA diffuser & painted deflector with external constant current electronic driver.

SPECIFICATIONS

- Housing – Powder coated die cast aluminium alloy.
- Diffuser – UV stabilised clear diffuser one piece PMMA
- Deflector – Painted aluminium.
- Thermal Management - The heat sinking is been vigilantly tested to ensure that the LEDS hold their intensity & Kelvin Color temprature over a period of time.
- Gasket – Silicon rubber with high thermal resistivity.
- Internal Wiring – PVC insulated copper wire.
- Mains Terminal – 2 way 5 amps. suitable for terminating 1.5 sq. mm cable.
- Hardware – 304 grade stainless steel.
- Driver – External constant current electronic driver

APPLICATIONS

- Parks & Gardens
- Public areas
- Security lighting
- Pathways
- Residential colonies



| | | | | |
|--------------------|---------------|----------|--------------------|---------------|
| LED Brand | Input Current | Power | Ingress Protection | lm/Watt. |
| Osram | 350mA | 30 | IP65 | Upto 100lm/wt |
| Material | Deflector | Hardware | Wiring | Driver |
| Die Cast Aluminium | Aluminium | SS 304 | Series/ Parallel | External |

Colors Available



White Warm White



Decorative special open & silicone PVC seal flexible LED strip for indoor & outdoor applications. These flex are interlinkable & can be cut to size at marked intervals & rejoined by use of connectors with external driver.

| PRODUCT CODE | NO. meter | WATTAGE (W) | VOLTAGE (V) |
|--------------------------|-----------|-------------|-------------|
| LT FL 5M LED | 5 | 5 | 240V, 50Hz |
| LT FL 5M LED68 | 5 | 5 | 240V, 50Hz |
| LT FLH 10 MLED | 10 | 10 | 240V, 50Hz |
| LT FLH 10 M LED68 | 10 | 10 | 240V, 50Hz |
| LT FL 5M RGB LED | 5 | 10 | 240V, 50Hz |
| <i>Tolerance - ± 2mm</i> | | | |

Applications

- Cabinet lighting
- Ward robes
- Mirror lighting
- Pattern lighting
- Border or perimeter lighting



| | | | | |
|--------------------|--------------------|---------------|-------------------------------|---------------|
| LED Brand Osram | Input Current - | Power 5/10 | Ingress Protection IP20/68 | lm/Watt. - |
| Material - | Cover - | Hardware - | Wiring Series/ Parallel | Driver - |

Colors Available



Retrofit LED Lamps



| PRODUCT CODE | WATTAGE (W) | LAMP BASE |
|---------------|-------------|-----------|
| LTLEDM3W/GU10 | 3 | Gu10 |
| LTLEDM6W/GU10 | 6 | Gu10 |
| LTLEDM1*3W | 3 | Gu 5.4 |
| LTLEDM3*3W | 9 | GU 5.4 |
| LTLEDM4WMR16 | 4 | MR16 |
| LTLEDM7WE27 | 7 | E27 |
| LTLEDM11WE27 | 11 | E27 |
| LTLEDM4WB22 | 11 | B22 |

Tolerance - ± 2mm

SPECIFICATIONS

- Specially designed body with proper heat sinking arrangement
- Available in Red/Green/Blue/White/Warm White colors
- Highly aesthetic
- Available in G5.4/E14/E27/GU10

APPLICATIONS

- Wardrobe lighting
- Perimeter lighting
- Pattern Lighting
- Cabinet lighting

LED
EFFECT



We touch your electricity everyday!



Delhi

Ph: 011- 30887520-29

E-mail: delhi.lwa@cselectric.co.in

Ludhiana

Ph: 0161- 4647343

E-mail: ludhiana.lwa@cselectric.co.in

Dehradun

E-mail: dehradun.lwa@cselectric.co.in

Corporate Office

222, Okhla Industrial Estate

Phase III, New Delhi-20

Ph: 011-30887520- 29

Fax: 011-26848245

E-mail: marketing.lwa@cselectric.co.in

Ahmedabad

Ph: 079- 30074512/536

E-mail: gujrat.lwa@cselectric.co.in

Pune

Ph: 020- 30283237-39

E-mail: pune.lwa@cselectric.co.in

Mumbai

Ph: 022- 24114727-28

E-mail: mumbai.lwa@cselectric.co.in

Factory

Plot No. 2, Sector- 8C

Integrated Industrial Estate, Ranipur

Haridwar, Uttarakhand, India

Ph: 01334-308130-144

Fax: 01334-308139

Bangalore

Ph: 080- 25586147/84389/84939,
30570345

E-mail: bangalore.lwa@cselectric.co.in

Chennai

Ph: 044-39180512-13

E-mail: chennai.lwa@cselectric.co.in

Lucknow

Ph: 0522- 3917843-44

E-mail: lucknow.lwa@cselectric.co.in

Marketing Office

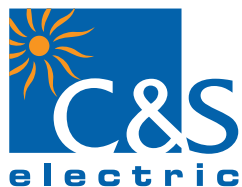
222, Okhla Industrial Estate

Phase-III, New Delhi- 20

Ph: 011-30887520- 29

Fax: 011-26848245

E-mail: marketing.lwa@cselectric.co.in



C&S Electric Ltd.

(Lighting & Wiring Accessories Division)

222, Okhla Industrial Estate, Phase-III, New Delhi – 110020

Ph. : (+91-11) 3088 7520-29, Fax : (+91-11) 2684 8245

www.cselectric.co.in

We touch your electricity everyday!