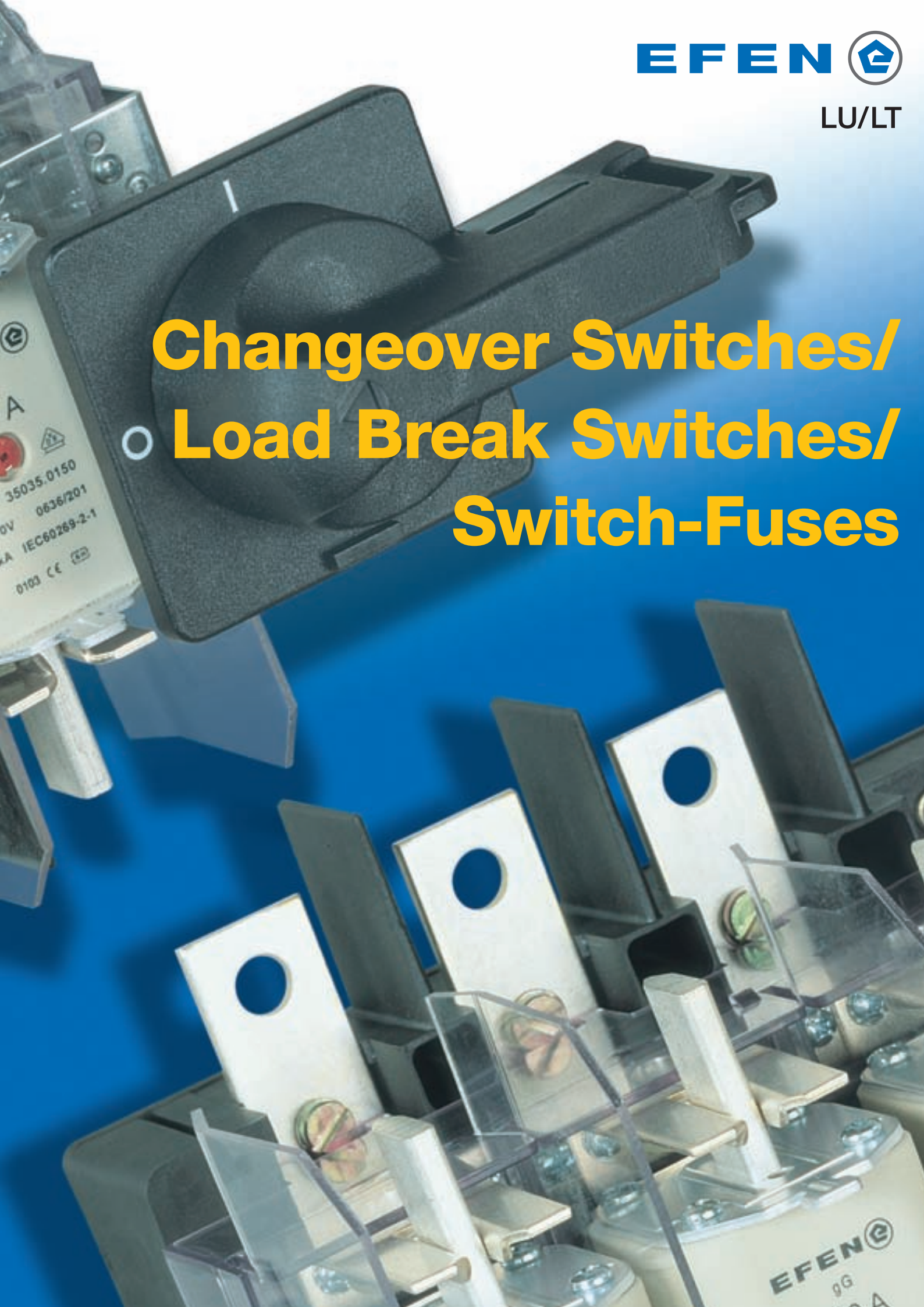


Changeover Switches/ Load Break Switches/ Switch-Fuses



35035.0150
0636/201
IEC60269-2-1
0103 CE

EFEN®
0G
A

EFEN switches provide an excellent product range with lots of benefits in application, and technical design as well as a wide range of specific customer solutions.

Since EFEN has a long tradition as producer of fuses and fuse switch systems, EFEN has established itself as market leader in Europe.

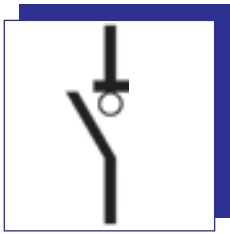
EFEN will continue to develop according to customers requirements, specifications and updated international regulations.

Norm	Type	Page
EN 60947-1 EN 60947-3 IEC 60947-3 VDE 0660-T107	FWA	4
	FWA-HLD	5
	HSWA	6-7
	FAM	8
	FMU (FMUN)	9-10
	FMU BY1 (FMUN BY1)	11-12
	SILA-NH	13
	SILAD-NH	13
EN 60947-1 EN 60947-3 IEC 60947-3 VDE 0660-T107 BS 88		
	SILA-BS	14
	SILAD-BS	15

Engineering progresses are a continuous process for EFEN. All information and data may therefore be changed without notification.

Contents

Description	Standard/Regulation			Range	Type	Page
	AC21B	AC22B	AC23B			
Load Break Switches	690V	415V		63-630A	FWA	4
Load Break Switches		415V	415V	250-1250A	FWA/HLD	5
Main Switches		415V	415V	250-1250A	HSWA	6-7
Load Break Switches	690V	415V		63-300A	FAM	8
Load Changeover Switches 1-0-2	415V			63-2000A	FMU (FMUN)	9-10 10
Bypass Switches 1-0-2	415V			63-2000A	FMU-BY1 (FMUN-BY1)	11-12
Switch Fuses DIN		415V		63-125A	SILA	13
Switch Fuses DIN		415V		63-630A	SILAD-NH	13
Switch Fuses BS		415V		25-125A	SILAS-BS	14
Switch Fuses BS		415V		25-300A	SILAD-BS	15



Load Break Switches

3- and 4-poles, 63 - 630A

Type FWA

AC22B
415V

APPLICATION

- Switchboards, Panels
- Distribution Boards, Motor Control Centres

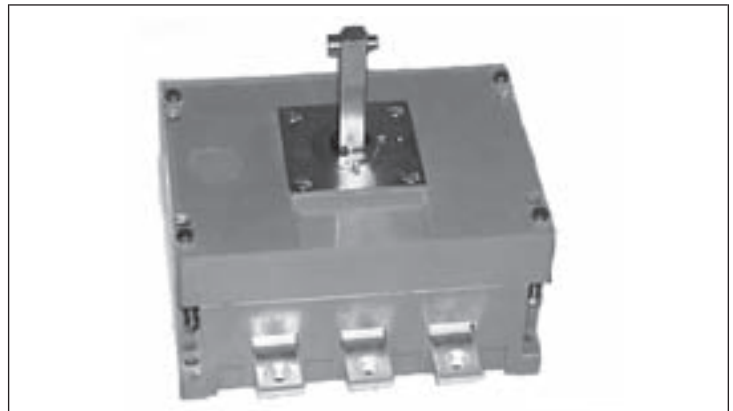
DESIGN FEATURES

- High performance
- Small dimensions
- Quick break forced operation
- Double break contacts

More information (dimensions, technical data) on request.

DELIVERY INCLUDES

Switches are delivered complete with handle and escutcheon plate.
Other accessories on request.



FWA 40/3K

Rated un-interrupted current I_u	Rated oper. current I_e AC22B 415V		No. of Poles	Maximum conductor cross section	Order No.	Type	Overall dimensions W x H x D	Order No. TKV-WV; door coupling, interlock, shaft extension	Order No. KLAD; incoming terminal shroud
63A	63A o. d.		3	35 mm ²	29100.0401	FWA 6/3K	72 x 104 x 71 mm	36541.0010	31828.0200
			4	35 mm ²	29104.0401	FWA 6/4K	72 x 82 x 71 mm	36541.0010	31828.0100
80A	80A o. d.		3	35 mm ²	29100.0501	FWA 8/3K	72 x 104 x 71 mm	36541.0010	31828.0200
			4	35 mm ²	29104.0501	FWA 8/4K	72 x 82 x 71 mm	36541.0010	31828.0100
100A	100A o. d.		3	35 mm ²	29100.0601	FWA 10/3K	72 x 104 x 71 mm	36541.0010	31828.0200
			4	35 mm ²	29104.0601	FWA 10/4K	72 x 82 x 71 mm	36541.0010	31828.0100
125A	125A o. d.		3	50 mm ²	29100.0700	FWA 12/3K	123 x 138 x 85 mm	36509.0010	36573.0010
			4	50 mm ²	29104.0700	FWA 12/4K	121 x 145 x 84 mm	36509.0010	36573.0010
160A	160A o. d.		3	70 mm ²	29100.0800	FWA 16/3K	123 x 138 x 85 mm	36509.0010	36573.0010
			4	70 mm ²	29104.0800	FWA 16/4K	121 x 145 x 84 mm	36509.0010	36573.0010
200A	200A o. d.		3	150 mm ²	29100.0900	FWA 20/3K	123 x 138 x 85 mm	36509.0010	36573.0010
			4	150 mm ²	29104.0900	FWA 20/4K	210 x 210 x 118 mm	36509.0010	36573.0010
250A	250A o. d.		3	185 mm ²	29100.1000	FWA 25/3K	200 x 210 x 118 mm	36509.0010	36573.0010
			4	185 mm ²	29104.1000	FWA 25/4K	210 x 210 x 118 mm	36509.0010	36573.0010
315A	315A o. d.		3	195 mm ²	29100.1200	FWA 30/3K	200 x 210 x 118 mm	36680.0010	36658.0010
			4	195 mm ²	29104.1200	FWA 30/4K	210 x 210 x 118 mm	36680.0010	36658.0010
400A	400A 400A		3	240 mm ²	29100.1300	FWA 40/3K	200 x 210 x 118 mm	36680.0010	36658.0010
			4	240 mm ²	29104.1300	FWA 40/4K	210 x 210 x 118 mm	36680.0010	36658.0010
630A	630A o. d.		3	240 mm ²	29100.1500	FWA 63/3K	200 x 225 x 118 mm	36680.0010	36658.0010
			4	240 mm ²	29104.1500	FWA 63/4K	210 x 232 x 118 mm	36680.0010	36658.0010

o. d. = on demand

Load Break Switches

3- and 4-poles, 205 - 1250A

Type FWA-HLD

AC22B
415V
AC23B
415V



APPLICATION

- Heavy duty requirements of industry
- Main switchboards
- Motor control centres

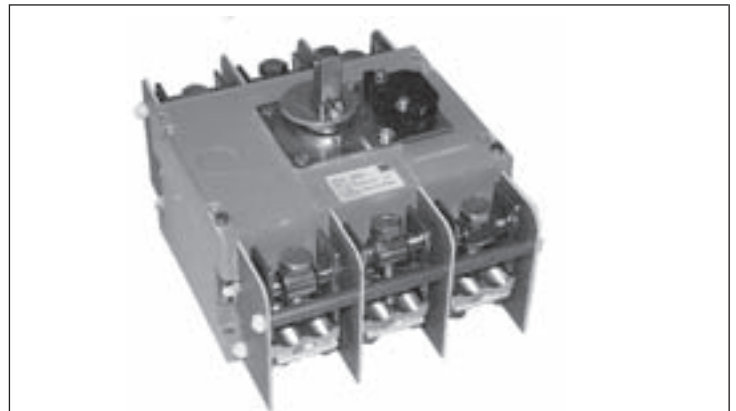
DESIGN FEATURES

- High electrical performance AC23
- Compact dimensions
- Quick break forced operation
- Various optional accessories

More information (dimensions, technical data) on request.

DELIVERY INCLUDES

Switches are delivered complete with handle and escutcheon plate.
Other accessories on request.



**FWA-HLD 63/3 with cable clamps
and auxiliary contact**

Rated un-interrupted current I_u	Rated oper. current I_e AC22B 415V	Rated oper. current I_e AC23B 415V	No. of Poles	Maximum conductor cross section	Order No.	Type	Overall dimensions W x H x D	Order No. TKV-WV; door coupling, interlock, shaft extension	Order No. KLAD; incoming terminal shroud
250A	250A	250A	3	185 mm ²	29110.1000	FWA-HLD 25/3K	200x210x118 mm	36680.0010	36538.0010
	250A	250A	4	185 mm ²	29114.1000	FWA-HLD 25/4K	210x210x118 mm	36680.0010	36538.0010
300A	300A	250A	3	195 mm ²	29110.1200	FWA-HLD 30/3K	200x210x118 mm	36680.0010	36538.0010
	300A	250A	4	195 mm ²	29114.1200	FWA-HLD 30/4K	210x210x118 mm	36680.0010	36538.0010
400A	400A	250A	3	240 mm ²	29110.1300	FWA-HLD 40/3K	200x210x118 mm	36680.0010	36538.0010
	400A	250A	4	240 mm ²	29114.1300	FWA-HLD 40/4K	210x210x118 mm	36680.0010	36538.0010
500A	500A	400A	3	2x150 mm ²	29110.1400	FWA-HLD 50/3K	200x228x118 mm	36680.0010	36538.0010
	500A	400A	4	2x150 mm ²	29114.1400	FWA-HLD 50/4K	210x232x118 mm	36680.0010	36538.0010
630A	630A	400A	3	2x185 mm ²	29110.1500	FWA-HLD 63/3K	200x225x118 mm	36680.0010	36538.0010
	630A	400A	4	2x185 mm ²	29114.1500	FWA-HLD 63/4K	210x232x118 mm	36680.0010	36538.0010
800A	800A	500A	3	2x185 mm ²	29110.1600	FWA-HLD 80/3	280x260x160 mm	36505.0010	36586.0100
	800A	500A	4	2x185 mm ²	29114.1600	FWA-HLD 80/4	360x260x160 mm	36505.0010	36587.0100
1000A	1000A	500A	3	2x240 mm ²	29110.1700	FWA-HLD 100/3	280x260x160 mm	36505.0010	36586.0100
	1000A	500A	4	2x240 mm ²	29114.1700	FWA-HLD 100/4	360x260x160 mm	36505.0010	36587.0100
1250A	1250A	500A	3	2x300 mm ²	29110.1800	FWA-HLD 125/3	280x260x160 mm	36505.0010	36586.0100
	1250A	500A	4	2x300 mm ²	29114.1800	FWA-HLD 125/4	360x260x160 mm	36505.0010	36587.0100



Main Switches

3- and 4-poles, 250 - 630A

Type HSWA

AC22B
415V
AC23B
415V

APPLICATION

- Machine tools, injection moulding machines
- Main switch boards
- Control boards

DESIGN FEATURES

- Modular, compact design
- High electrical performance AC23
- Compact dimensions
- Various optional accessories

More information (dimensions, technical data) on request.

DELIVERY INCLUDES

Switches are delivered complete with door coupling, interlock, shaft extension, terminal cover for incoming terminals, padlockable handle and escutchion plate. Other accessories on request.



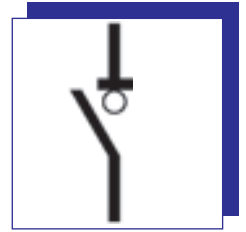
Rated un-interrupted current I_u	Rated oper. current I_e AC22B 415V	Rated oper. current I_e AC23B 415V	No. of Poles	Maximum conductor cross section	Order No.	Type	Overall dimensions W x H x D	Order No. H1S10; aux contact 1NC 1NO in Pos. 1
250A	250A	250A	3	185 mm ²	29160.1000	HSWA 25/3K	200x210x118 mm	36516.0010
	250A	250A	4	185 mm ²	29164.1000	HSWA 25/4K	210x210x118 mm	36516.0010
315A	315A	250A	3	195 mm ²	29160.1200	HSWA 30/3K	200x210x118 mm	36516.0010
	315A	250A	4	195 mm ²	29164.1200	HSWA 30/4K	210x210x118 mm	36516.0010
400A	400A	250A	3	240 mm ²	29160.1300	HSWA 40/3K	200x210x118 mm	36516.0010
	400A	250A	4	240 mm ²	29164.1300	HSWA 40/4K	210x210x118 mm	36516.0010
500A	500A	400A	3	2x150 mm ²	29160.1400	HSWA 50/3K	200x228x118 mm	36516.0010
	500A	400A	4	2x150 mm ²	29164.1400	HSWA 50/4K	208x232x118 mm	36516.0010
630A	630A	400A	3	2x185 mm ²	29160.1500	HSWA 63/3K	200x225x118 mm	36516.0010
	630A	400A	4	2x185 mm ²	29164.1500	HSWA 63/4K	210x232x118 mm	36516.0010

Main Switches

3- and 4-poles, 800 - 1250A

Type HSWA

AC22B
415V
AC23B
415V



APPLICATION

- Machine tools, injection moulding machines
- Main switch boards
- Control boards

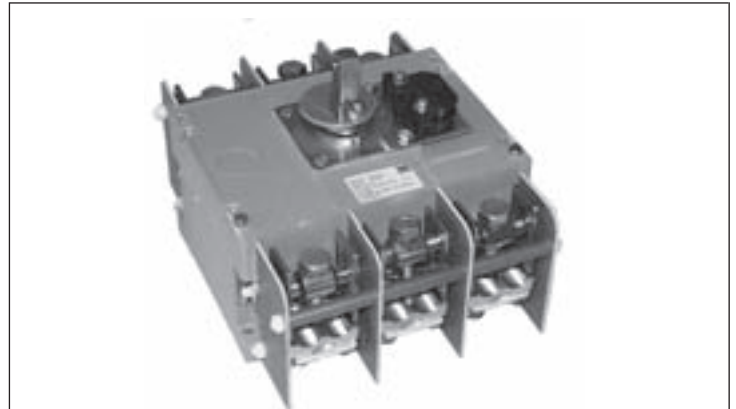
DESIGN FEATURES

- Modular, compact design
- High electrical performance AC23
- Compact dimensions
- Various optional accessories

More information (dimensions, technical data) on request.

DELIVERY INCLUDES

Switches are delivered complete with door coupling, interlock, shaft extension, terminal cover for incoming terminals, padlockable handle and escutchion plate. Other accessories on request.



**HSWA 63/3K with cable clamps
and auxiliary contact**

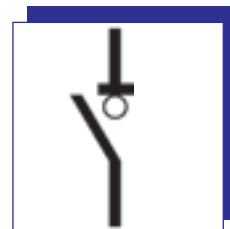
Rated un-interrupted current I_u	Rated oper. current I_e AC22B 415V	Rated oper. current I_e AC23B 415V	No. of Poles	Maximum conductor cross section	Order No.	Type	Overall dimensions W x H x D	Order No. H1S10; aux contact 1NC 1NO in Pos. 1	Order No. KLAD; incoming terminal shroud
800A	800A	500A	3	2x185 mm ²	29160.1600	HSWA 80/3	280x262x164 mm	36504.0010	o. d.
	800A	500A	4	2x185 mm ²	29164.1600	HSWA 80/4	360x262x164 mm	36504.0010	o. d.
1000A	1000A	500A	3	2x240 mm ²	29160.1700	HSWA 100/3	280x262x164 mm	36504.0010	o. d.
	1000A	500A	4	2x240 mm ²	29164.1700	HSWA 100/4	360x262x164 mm	36504.0010	o. d.
1250A	1250A	500A	3	2x300 mm ²	29160.1800	HSWA 125/3	280x262x164 mm	36504.0010	o. d.
	1250A	500A	4	2x300 mm ²	29164.1800	HSWA 125/4	360x262x164 mm	36504.0010	o. d.

Load Break Switches

3- and 4-poles, 63 - 300A

Type FAM

AC21B
690V
AC22B
415V



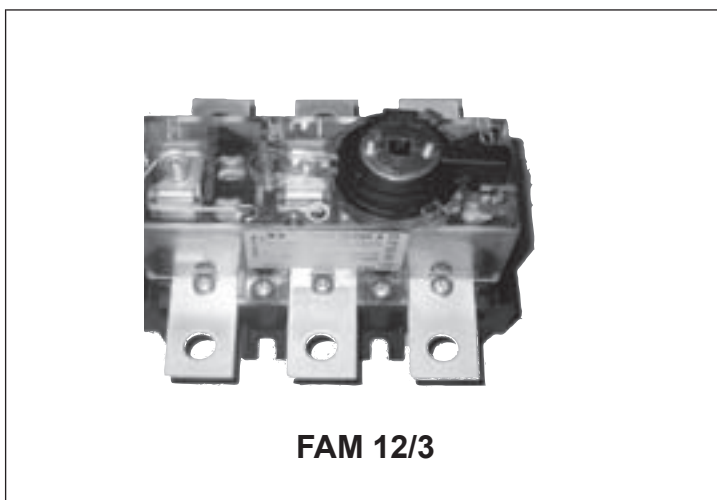
APPLICATION

- Switchboards, Panels
- Motor Control Centres

DESIGN FEATURES

- High ratings and performance
- Strong knife-contact system
- Double break
- Visible contacts in Off-position

More information (dimensions, technical data) on request.



DELIVERY INCLUDES

Switches are delivered complete with handle and escutcheon plate.
Other accessories on request.

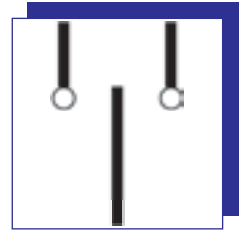
Rated un-interrupted current I _u	Rated oper. current I _e AC21B 690V	Rated oper. current I _e AC22B 415V	No. of Poles	Maximum conductor cross section	Order No.	Type	Overall dimensions W x H x D	Order No. H1S10; aux contact 1NC 1NO in Pos. 1	Order No. KLAD; incoming terminal shroud
63A	63A	63A	3	25 mm ²	29250.0401	FAM 6/3	114 x 95 x 72 mm	36593.0010 ⁽¹⁾ 36593.0010 ⁽¹⁾	integrated integrated
80A	80A	80A	3	25 mm ²	29250.0501	FAM 8/3	114 x 95 x 72 mm	36593.0010 ⁽¹⁾	integrated integrated
100A	100A	80A	3	70 mm ²	29250.0600	FAM 10/3	114 x 110 x 72 mm	36593.0010 ⁽¹⁾	36702.0010
125A	125A	80A	3	70 mm ²	29250.0700	FAM 12/3	114 x 110 x 72 mm	36593.0010 ⁽¹⁾	36702.0010
160A	160A	100A	3	70 mm ²	29250.0800	FAM 16/3	114 x 110 x 72 mm	36593.0010 ⁽¹⁾	36702.0010
200A	200A	200A	3	150 mm ²	29250.0900	FAM 20/3	208 x 210 x 94 mm	36596.0010	36506.0010
250A	250A	200A	3	150 mm ²	29250.1000	FAM 25/3	208 x 210 x 94 mm	36596.0010	36506.0010
300A	300A	250A	3	240 mm ²	29250.1100	FAM 30/3	208 x 210 x 94 mm	36596.0010	36506.0010
Accessories									
Neutral for 3 pole +N order number					36906.0010 36907.0010 36908.0010	box terminal lug terminal multiple use terminal			Remark: ⁽¹⁾ auxiliary contact 1c/o

Load Changeover Switches

3- and 4-poles, 63 - 800A

Type FMU (FMUN)

AC21B
415V



APPLICATION

- Main generator switchboards
- Power supplies for airports, hospitals, broadcasting
- Switchboards at telecommunication systems

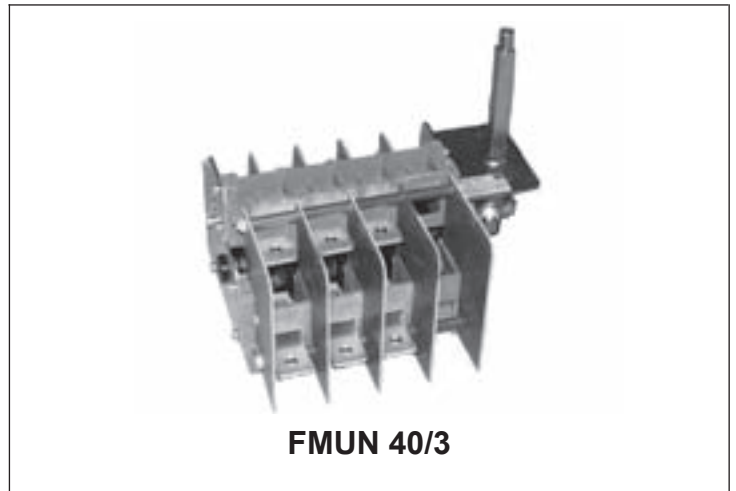
DESIGN FEATURES

- Unique switching arrangement
- Unique L-shape moving contact
- High safety and performance
- Visible, strong knife contact system

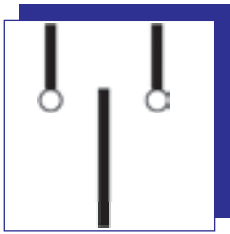
More information (dimensions, technical data) on request.

DELIVERY INCLUDES

Switches are delivered complete with handle and escutchion plate.
Other accessories on request.



Rated un-interrupted current I_u	Rated oper. current I_e AC21B 415V		No. of Poles	Maximum conductor cross section	Order No.	Type	Overall dimensions W x H x D	Order No. TKV-WV; door coupling, interlock, shaft extension	Order No. KLAD; overall terminal shroud
63A	63A 63A		3	25 mm ²	29300.0400	FMU 6/3	186 x 150 x 108 mm	36509.0010	36503.0010
			4	25 mm ²	29304.0400	FMU 6/4	186 x 150 x 108 mm	36509.0010	36503.0010
80A	80A 80A		3	25 mm ²	29300.0500	FMU 8/3	186 x 150 x 108 mm	36509.0010	36503.0010
			4	25 mm ²	29304.0500	FMU 8/4	186 x 150 x 108 mm	36509.0010	36503.0010
100A	100A 100A		3	25 mm ²	29300.0600	FMU 10/3	186 x 150 x 108 mm	36509.0010	36503.0010
			4	25 mm ²	29304.0600	FMU 10/4	186 x 150 x 108 mm	36509.0010	36503.0010
125A	125A 125A		3	35 mm ²	29300.0700	FMU 12/3	186 x 150 x 108 mm	36509.0010	36503.0010
			4	35 mm ²	29304.0700	FMU 12/4	186 x 150 x 108 mm	36509.0010	36503.0010
160A	160A 160A		3	70 mm ²	29300.0800	FMU 16/3	186 x 221 x 108 mm	36509.0010	36503.0010
			4	70 mm ²	29304.0800	FMU 16/4	186 x 221 x 108 mm	36509.0010	36503.0010
200A	200A 200A		3	120 mm ²	29320.0900	FMUN 20/3	246 x 181 x 103 mm	36509.0010	36645.0010
			4	120 mm ²	29324.0900	FMUN 20/4	246 x 181 x 103 mm	36509.0010	36645.0010
250A	250A 250A		3	150 mm ²	29320.1000	FMUN 25/3	246 x 181 x 103 mm	36509.0010	36645.0010
			4	150 mm ²	29324.1000	FMUN 25/4	246 x 181 x 103 mm	36509.0010	36645.0010
300A	300A 300A		3	185 mm ²	29320.1100	FMUN 30/3	287 x 285 x 143 mm	36505.0010	36588.0010
			4	185 mm ²	29324.1100	FMUN 30/4	287 x 285 x 143 mm	36505.0010	36588.0010
400A	400A 400A		3	240 mm ²	29320.1300	FMUN 40/3	287 x 285 x 143 mm	36505.0010	36588.0010
			4	240 mm ²	29324.1300	FMUN 40/4	287 x 285 x 143 mm	36505.0010	36588.0010
500A	500A 500A		3	300 mm ²	29320.1400	FMUN 50/3	287 x 285 x 143 mm	36505.0010	36588.0010
			4	300 mm ²	29324.1400	FMUN 50/4	287 x 285 x 143 mm	36505.0010	36588.0010
630A	630A 630A		3	2x185 mm ²	29300.1500	FMU 63/3	390 x 300 x 192 mm	36515.0010	36703.0010
			4	2x185 mm ²	29304.1500	FMU 63/4	475 x 300 x 192 mm	36515.0010	36651.0010
800A	800A 800A		3	2x185 mm ²	29300.1600	FMU 80/3	390 x 300 x 192 mm	36515.0010	36703.0010
			4	2x185 mm ²	29304.1600	FMU 80/4	475 x 300 x 192 mm	36515.0010	36651.0010



Load Changeover Switches

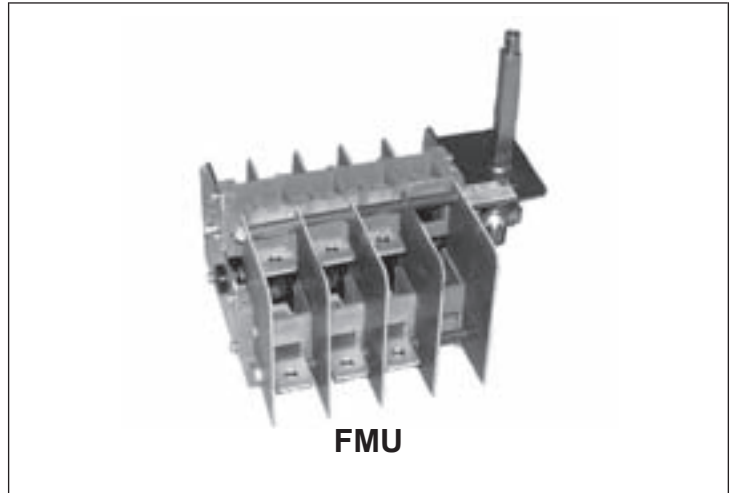
3- and 4-poles, 1000 - 2000A

Type FMU

AC21B
415V

APPLICATION

- Main generator switchboards
- Power supplies for airports, hospitals, broadcasting
- Switchboards at telecommunication systems



DELIVERY INCLUDES

Switches are delivered complete with handle and escutcheon plate.
Other accessories on request.

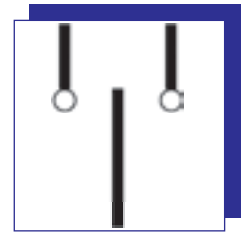
Rated un-interrupted current I_u	Rated oper. current I_e AC21B 415V		No. of Poles	Maximum conductor cross section	Order No.	Type	Overall dimensions W x H x D	Order No. TKV-WV; door coupling, interlock, shaft extension	Order No. KLAD; overall terminal shroud
1000A	1000A 1000A		3	2x240 mm ²	29300.1700	FMU 100/3	390 x 300 x 180 mm	36515.0010	36703.0010
			4	2x240 mm ²	29304.1700	FMU 100/4	475 x 300 x 180 mm	36515.0010	36651.0010
1250A	1250A 1250A		3	2x40x5 mm	29300.1800	FMU 125/3	390 x 300 x 180 mm	36515.0010	36703.0010
			4	2x40x5 mm	29304.1800	FMU 125/4	475 x 300 x 180 mm	36515.0010	36651.0010
1600A	1600A 1600A		3	2x60x5 mm	29300.1900	FMU 160/3	474 x 410 x 238 mm	36612.0010	36694.0010
			4	2x60x5 mm	29304.1900	FMU 160/4	575 x 410 x 238 mm	36612.0010	36587.0010
2000A	2000A 2000A		3	2x80x5 mm	29300.2000	FMU 200/3	474 x 410 x 238 mm	36612.0010	36694.0010
			4	2x80x5 mm	29304.2000	FMU 200/4	575 x 410 x 238 mm	36612.0010	36587.0010

Bypass Switches

3- and 4-poles, 63 - 800A

Type FMU BY1 (FMUN BY1)

AC21B
415V



APPLICATION

- Main generator switchboards
- Power supplies for airports, hospitals, broadcasting
- Switchboards at telecommunication systems

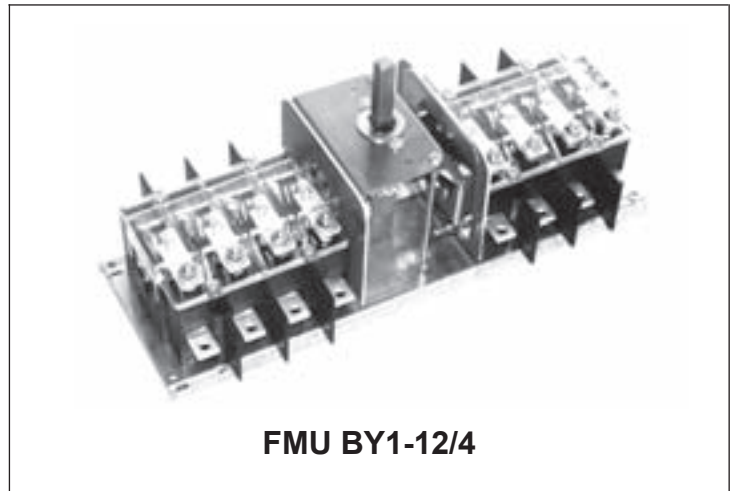
DESIGN FEATURES

- Unique switching arrangement
- Unique L-shape moving contact
- High safety and performance
- Visible, strong knife contact system

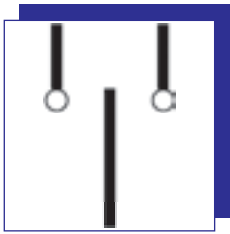
More information (dimensions, technical data) on request.

DELIVERY INCLUDES

Switches are delivered complete with handle and escutcheon plate.
Other accessories on request.



Rated un-interrupted current I_u	Rated oper. current I_e AC21B 415V		No. of Poles	Maximum conductor cross section	Order No.	Type	Overall dimensions W x H x D	Order No. TKV-WV; door coupling, interlock, shaft extension	Order No. KLAD; overall terminal shroud
63A	63A 63A		3	25 mm ²	29360.0400	FMU BY1-6/3	352 x 150 x 120 mm	36540.0010	2x36503.0010
			4	25 mm ²	29364.0400	FMU BY1-6/4	352 x 150 x 120 mm	36540.0010	2x36503.0010
80A	80A 80A		3	25 mm ²	29360.0500	FMU BY1-8/3	352 x 150 x 120 mm	36540.0010	2x36503.0010
			4	25 mm ²	29364.0500	FMU BY1-8/4	352 x 150 x 120 mm	36540.0010	2x36503.0010
100A	100A 100A		3	25 mm ²	29360.0600	FMU BY1-10/3	352 x 150 x 120 mm	36540.0010	2x36503.0010
			4	25 mm ²	29364.0600	FMU BY1-10/4	352 x 150 x 120 mm	36540.0010	2x36503.0010
125A	125A 125A		3	35 mm ²	29360.0700	FMU BY1-12/3	352 x 150 x 120 mm	36540.0010	2x36503.0010
			4	35 mm ²	29364.0700	FMU BY1-12/4	352 x 150 x 120 mm	36540.0010	2x36503.0010
160A	160A 160A		3	70 mm ²	29360.0800	FMU BY1-16/3	352 x 221 x 120 mm	36540.0010	2x36503.0010
			4	70 mm ²	29364.0800	FMU BY1-16/4	352 x 221 x 120 mm	36540.0010	2x36503.0010
200A	200A 200A		3	120 mm ²	29360.0900	FMUN BY1-20/3	474 x 181 x 115 mm	36540.0010	2x36645.0010
			4	120 mm ²	29364.0900	FMUN BY1-20/4	474 x 181 x 115 mm	36540.0010	2x36645.0010
250A	250A 250A		3	150 mm ²	29360.1000	FMUN BY1-25/3	474 x 181 x 110 mm	36540.0010	2x36645.0010
			4	150 mm ²	29364.1000	FMUN BY1-25/4	474 x 181 x 110 mm	36540.0010	2x36645.0010
300A	300A 300A		3	185 mm ²	29360.1100	FMUN BY1-30/3	570 x 285 x 159 mm	36515.0010	2x36588.0010
			4	185 mm ²	29364.1100	FMUN BY1-30/4	570 x 285 x 159 mm	36515.0010	2x36588.0010
400A	400A 400A		3	240 mm ²	29360.1300	FMUN BY1-40/3	570 x 285 x 159 mm	36515.0010	2x36588.0010
			4	240 mm ²	29364.1300	FMUN BY1-40/4	570 x 285 x 159 mm	36515.0010	2x36588.0010
500A	500A 500A		3	300 mm ²	29360.1400	FMUN BY1-50/3	570 x 285 x 159 mm	36515.0010	2x36588.0010
			4	300 mm ²	29364.1400	FMUN BY1-50/4	570 x 285 x 159 mm	36515.0010	2x36588.0010
630A	630A 630A		3	2x185 mm ²	29360.1500	FMU BY1-63/3	775 x 300 x 212 mm	36515.0010	on request
			4	2x185 mm ²	29364.1500	FMU BY1-63/4	945 x 300 x 212 mm	36515.0010	2x36651.0010
800A	800A 800A		3	2x185 mm ²	29360.1600	FMU BY1-80/3	775 x 300 x 212 mm	36515.0010	on request
			4	2x185 mm ²	29364.1600	FMU BY1-80/4	945 x 300 x 212 mm	36515.0010	2x36651.0010



Bypass Switches

3- and 4-poles, 1000 - 2000A

Type FMU BY1

AC21B
415V

APPLICATION

- Main generator switchboards
- Power supplies for airports, hospitals, broadcasting
- Switchboards at telecommunication systems

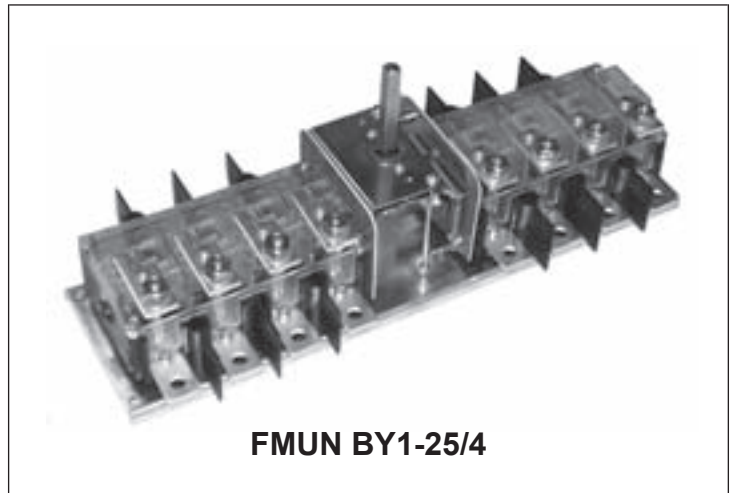
DESIGN FEATURES

- Unique switching arrangement
- Unique L-shape moving contact
- High safety and performance
- Visible, strong knife contact system

More information (dimensions, technical data) on request.

DELIVERY INCLUDES

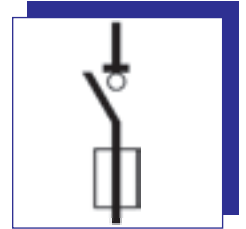
Switches are delivered complete with handle and escutcheon plate.
Other accessories on request.



Rated un-interrupted current I_u	Rated oper. current I_e AC21B 415V		No. of Poles	Maximum conductor cross section	Order No.	Type	Overall dimensions W x H x D	Order No. TKV-WV; door coupling, interlock, shaft extension	Order No. KLAD; overall terminal shroud
1000A	1000A 1000A		3	2x240 mm ²	29360.1700	FMU BY1-100/3	775x300x212mm	36515.0010	on request
			4	2x240 mm ²	29364.1700	FMU BY1-100/4	945x300x212mm	36515.0010	2x36651.0010
1250A	1250A 1250A		3	2x40x5 mm	29360.1800	FMU BY1-125/3	775x300x212mm	36515.0010	on request
			4	2x40x5 mm	29364.1800	FMU BY1-125/4	945x300x212mm	36515.0010	2x36651.0010
1600A	1600A 1600A		3	2x60x5 mm	29360.1900	FMU BY1-160/3	926x410x258mm	36612.0010	36694.0010
			4	2x60x5 mm	29364.1900	FMU BY1-160/4	1126x410x258mm	36612.0010	36587.0010
2000A	2000A 2000A		3	2x80x5 mm	29360.2000	FMU BY1-200/3	926x410x258mm	36612.0010	36694.0010
			4	2x80x5 mm	29364.2000	FMU BY1-200/4	1126x410x258mm	36612.0010	36587.0010

Switch Fuses (DIN-Type) 3-poles and 3-poles+N, 63 -125A Type SILA-NH

AC22B
415V



APPLICATION

- Switchboards, controlboards
- Panelboards
- Distribution boards

DESIGN FEATURES

- Small contact system
- Visible moving knife contacts
- Forced closing and opening of switch contacts
- Double break on incoming side

More information (dimensions, technical data) on request.

DELIVERY INCLUDES

Switches are delivered complete with door coupling, interlock, shaft extension, padlockable handle and escutcheon plate. Other accessories on request.

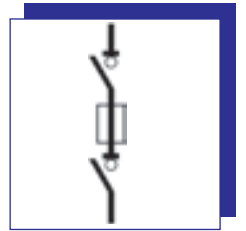


Rated un-interrupted current I_u	Rated oper. current I_n AC22B 415V	Fuse size acc. to DIN	No. of Poles	Maximum conductor cross section	Order No.	Type	Overall dimensions W x H x D	Order No. KLAD; incoming terminal shroud	Order No. H1S10; aux contact 1NC 1NO inPos. 1
63A 125A	63A 125A	000/00 00	3 3	16-70 mm ² 16-70 mm ²	29400.0400	SILA-NH 00-6/3-SE	119 x 186 x 74 mm	36501.0010 36501.0010	36593.0010 ⁽¹⁾ 36593.0010 ⁽¹⁾
					29400.0700	SILA-NH 00-12/3-SE	119 x 186 x 74 mm		
Accessories Neutral for 3 pole +N order number					36909.0010	box terminal			
					36910.0010	lug terminal			
					36911.0010	multiple use terminal			

⁽¹⁾ auxiliary contact 1c/o

Switch Fuses (DIN-Type) 3-poles and 3-poles+N, 63 - 630A Type SILAD-NH

AC22B
415V



APPLICATION

- Switchboards, controlboards
- Panelboards
- Distribution boards

DESIGN FEATURES

- Small contact system
- High electrical performance
- Forced closing and opening of switch contacts
- Full isolation of fuse in "Off"-Position

More information (dimensions, technical data) on request.

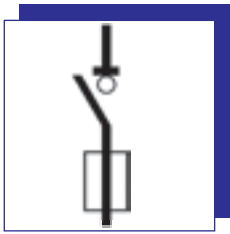
DELIVERY INCLUDES

Switches are delivered complete with door coupling, interlock, shaft extension, padlockable handle and escutcheon plate. Other accessories on request.



Rated un-interrupted current I_u	Rated oper. current I_n AC22B 415V	Fuse size acc. to DIN	No. of Poles	Maximum conductor cross section	Order No.	Type	Overall dimensions W x H x D	Order No. KLAD; incoming terminal shroud	Order No. H1S10; aux contact 1NC 1NO inPos. 1
63A 125A	63A 125A	000/00 00	3 3	16-70 mm ² 16-70 mm ²	29410.0400	SILAD 00-6/3-SE	120 x 140 x 140 mm	36507.0010 36507.0010	on request on request
					29410.0700	SILAD 00-12/3-SE	120 x 140 x 140 mm		
250A 400A	250A 400A	1 1	3 3+N	50-150mm ² 50-150mm ²	29400.1000	SILAD 1-25/3-SE	208 x 210 x 145 mm	36506.0010 36506.0010	on request on request
					29403.1000	SILAD 1-25/3+N-SE	208 x 210 x 145 mm		
400A 630A	400A 630A	2 2	3 3+N	95-240mm ² 95-240mm ²	29420.1300	SILAD II-40/3-SE	256 x 160 x 195 mm	36589.0010 36589.0010	on request on request
					29423.1300	SILAD II-40/3+N-SE	256 x 160 x 195 mm		
630A 630A	630A 630A	3 3	3 3+N	120-300mm ² 120-300mm ²	29420.1500	SILAD III-63/3-SE	324 x 238 x 230 mm	36591.0010 36591.0010	on request on request
					29423.1500	SILAD III-63/3+N-SE	324 x 238 x 230 mm		
Accessories Neutral for 3 pole +N order number					36906.0010	box terminal			
					36907.0010	lug terminal			
					36908.0010	multiple use terminal			

Remarks: ⁽¹⁾ only 3-pole shrouded.



Switch Fuses (BS88-Type) 3-poles and 3-poles+N, 25 - 125A Type SILA-BS

**AC22B
415V**

APPLICATION

- Switchboards, controlboards
- Panelboards
- Distribution boards

DESIGN FEATURES

- Small contact system
- Visible moving knife contacts
- Forced closing and opening of switch contacts
- Double break on incoming side

More information (dimensions, technical data) on request.

DELIVERY INCLUDES

Switches are delivered complete with door coupling, interlock, shaft extension, padlockable handle and escutchion plate. Other accessories on request.

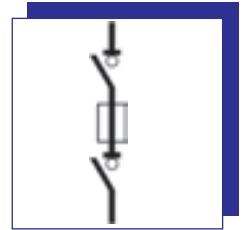


SILA-BS 6/3-SKL

Rated un-interrupted current I_u	Rated oper. current I_n AC22B 415V	Fuse size acc. to BS88	No. of Poles	Maximum conductor cross section	Order No.	Type	Overall dimensions W x H x D	Order No. KLAD; incoming terminal shroud	Order No. H1S10; aux contact 1NC 1NO inPos. 1
25A	25A	F1	3	2,5-25 mm ²	29430.0101	SILA-BS 2/3	100 x 134 x 77 mm	integrated	--
32A	32A	F1	3	2,5-25 mm ²	29430.0201	SILA-BS 3/3	100 x 134 x 77 mm	integrated	--
63A	63A	A3	3	6-50 mm ²	29430.0400	SILA-BS 6/3	114 x 202 x 74 mm	36501.0010	on request
100A	100A	A3	3	16-70 mm ²	29430.0600	SILA-BS 10/3	114 x 202 x 74 mm	36501.0010	on request
125A	125A	A4	3	16-70 mm ²	29430.0700	SILA-BS 12/3	114 x 202 x 74 mm	36501.0010	on request
Accessories Neutral for 3 pole +N order number					36906.0010 36907.0010 36908.0010	box terminal lug terminal multiple use terminal			

Switch Fuses (BS88-Type) 3-poles and 3-poles+N, 25 - 300A Type SILAD-BS

**AC22B
415V**



APPLICATION

- Switchboards, controlboards
- Panelboards
- Distribution boards

DESIGN FEATURES

- Small contact system
- High electrical performance
- Forced closing and opening of switch contacts
- Full isolation of fuse in "Off"-Position

More information (dimensions, technical data) on request.

DELIVERY INCLUDES

Switches are delivered complete with door coupling, interlock, shaft extension, padlockable handle and escutcheon plate. Other accessories on request.



Rated un-interrupted current I_u	Rated oper. current I_e AC22B 415V	Fuse size acc. to BS88	No. of Poles	Maximum conductor cross section	Order No.	Type	Overall dimensions W x H x D	Order No. KLAD; incoming terminal shroud	Order No. H1S10; aux contact 1NC 1NO inPos. 1
25A	25A	A1	3	6-25 mm ²	29440.0101	SILAD-BS 2/3	114 x 95 x 98 mm	integrated	--
32A	32A	A1	3	6-25 mm ²	29440.0201	SILAD-BS 3/3	114 x 95 x 98 mm	integrated	--
63A	63A	A3	3	6-25 mm ²	29440.0400	SILAD-BS 6/3	114 x 106 x 98 mm	36507.0010	on request
100A	100A	A3	3	16-70 mm ²	29440.0600	SILAD-BS 10/3	114 x 106 x 98 mm	36507.0010	on request
125A	125A	B2	3	25-70 mm ²	29440.0700	SILAD-BS 12/3	114 x 106 x 98 mm	36507.0010	on request
160A	160A	B2	3	25-70 mm ²	29440.0800	SILAD-BS 16/3	208x208x125 mm	36506.0010	36596.0010
200A	200A	B2	3	35-95 mm ²	29440.0900	SILAD-BS 20/3	208x208x147 mm	36506.0010	36596.0010
250A	250A	B3	3	50-150 mm ²	29440.1000	SILAD-BS 25/3	208x208x147 mm	36506.0010	36596.0010
300A	300A	B3	3		29440.1100	SILAD-BS 30/3	208x208x147 mm	36506.0010	36596.0010

Accessories

Neutral for 3 pole +N order number

36906.0010 box terminal
36907.0010 lug terminal
36908.0010 multiple use terminal

N	NH Fuse-Links <i>NH-Sicherungs-Einsätze</i>	
NU	NH Fuse-Bases <i>NH-Sicherungs-Unterteile</i>	
LT	Load Break Switches/Switch-Fuses <i>Lasttrennschalter mit/ohne Sicherungen</i>	
LU	Changeover Switches <i>Lastumschalter</i>	
NT	NH Fuse-Switches – horizontal design <i>NH-Sicherungs-Lasttrenner</i>	
NSL	NH Fuse-Switches – vertical design <i>NH-Sicherungs-Lastschaltleisten</i>	
NL	NH Fuse-Rails – vertical design <i>NH-Sicherungs-Verteilerleisten</i>	
NZ	Accessories <i>Zubehör</i>	
NW	Low Voltage Current Transformers <i>Niederspannungs-Stromwandler</i>	
NA	Low Voltage Lightning-Arresters <i>Überspannungs-Ableiter für Niederspannung</i>	
HH	HV Fuse-Links and -Bases <i>Hochspannungs-Hochleistungs-Sicherungen und -Träger</i>	
T	Products for Telecom <i>Produkte für Telekom-Stromversorgung</i>	
S/D	Special Systems/D-System Fuse-Links and -Bases <i>Spezialsysteme/D-Sicherungs-System</i>	

EFEN GmbH

EFEN Uebigau
EFEN Kaposvár Hungária Kft.
EFEN Polska Sp. z o.o.
EFEN Dongguan

Deutschland 65332 Eltville
Deutschland 04938 Uebigau
Hungária 7400 Kaposvár
Polska 41-106 Siemianowice Śląskie
VR-China Shipai

efen@efen.com
Tel. +49 6129 46-0
Tel. +49 35365 893-0
Tel. +36 82 508335
Tel. +48 32 2010942
Tel. +86 769 86598768

www.efen.com
Fax 46222
Fax 89335
Fax 417529
Fax 2200064
Fax 86598778