

SWING ARMS



NEW!



OICE 196

mild steel

IP 55

A: 300-500

W: 300-600

D: 155-210



OICP 198

aluminium

IP 65

A: 309-495

W: 395-542

D: 200



SASL 200

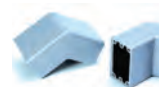
Light system

NEW!



SASM 206

Medium system



Accessories

OICE accessories	197
OICP accessories	199

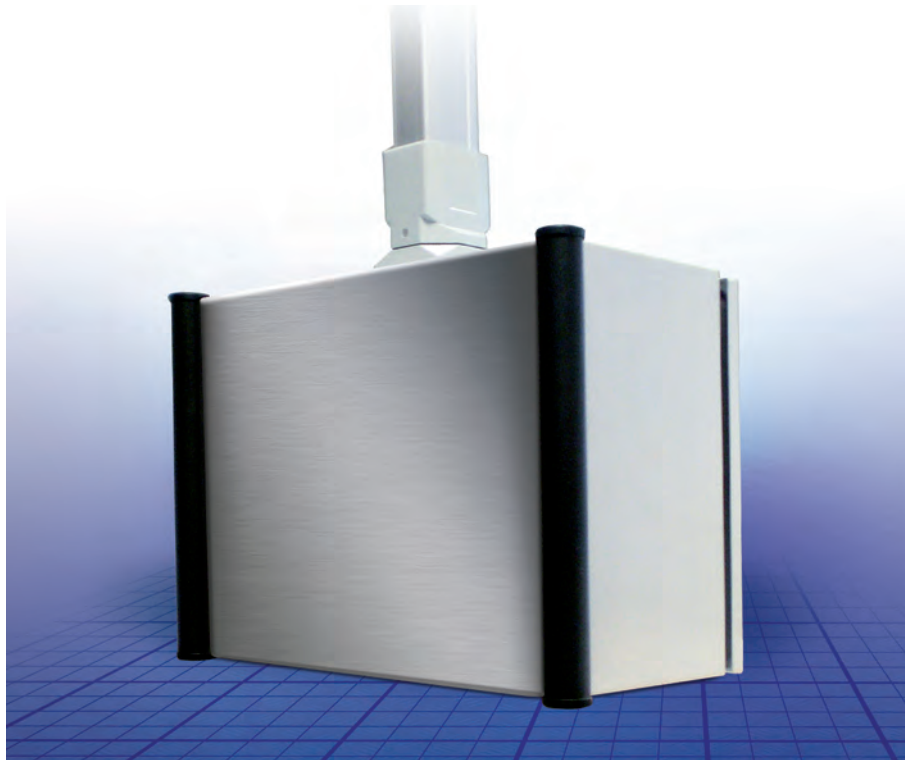
General Accessories 286

OICE

Operator Interface Control Enclosure

Based upon the well-known MAS enclosure, the new Operator Interface Control Enclosure (OICE) offers a housing solution for HMIs, meeting the industrial environment requirements. The body is pre-machined to enable use in combination with the swing arm systems SL and SM. It has an aluminium front cover for easier machining. Rear door allows access to the inside, and side handles.

NEW!



Technical data

IP 55, IK 10

Material: Body and door made from 1.2mm mild steel, front cover in aluminium, and handles in plastic.

Body: Folded and seam welded, with maximum opening. The front fitted with an aluminium front panel. Handling grips mounted to front, left and right edges.

Rear door: Surface mounted with 130° opening. Concealed removable hinges with captive pin. Hinges can be mounted to allow left or right hand opening. Door profiles MMDP are available as an accessory.

Lock: Customised lock with double grip for easy opening of the door. Double-bit 3mm insert and 90° movement. Other inserts and locks are available as an accessory.

Protection: Complies with IP 55.

Finish: RAL 7035 structure powder coating.

Approvals: CE.

Delivery: Enclosure with aluminium front panel, rear door, plastic double-bit 3mm key, and mounting accessories.

OICE, IP 55, IK 10

Description	H	W	D	Mounting depth	Part No.
Operator enclosure 300x300x155	300	300	155	155	OICE303015
Operator enclosure 300x400x210	300	400	210	210	OICE304021
Operator enclosure 400x400x210	400	400	210	210	OICE404021
Operator enclosure 400x600x210	400	600	210	210	OICE406021
Operator enclosure 500x500x210	500	500	210	210	OICE505021
Operator enclosure 500x600x210	500	600	210	210	OICE506021



Swing Arms accessories

ALL, Locks



Description: Alternative locks to replace the standard one.
Pack quantity: 1 piece.

Description	Type	Part No.
Polyamide lock with cylinder	Key 333	ALL509
Eldon lock with cylinder	Ronis key n° C21323	ALL510
Chrome plated lock with cylinder	Ronis key n° C21323	ALL508
ADA/ACA lock with cylinder	Ronis key n° C21323	ALL506
ADAB/ACB lock with cylinder	Ronis key n° C21323	ALL507

ALI, Inserts



Description: Inserts to replace the standard double-bit 3mm insert in the standard polyamide lock.

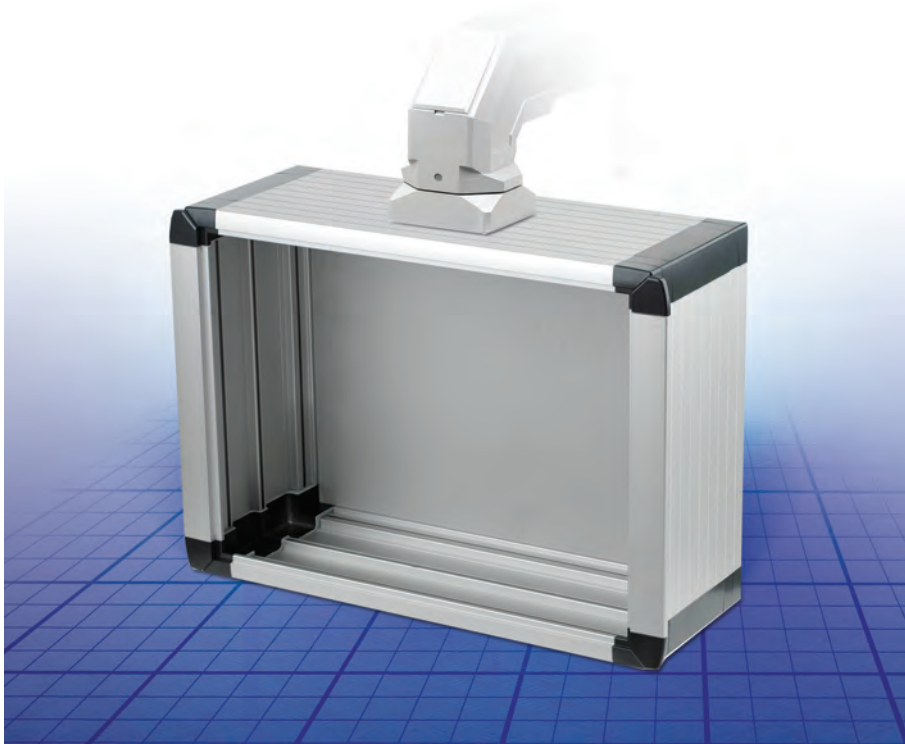
Material: Polyamide.

Pack quantity: 1 piece.

Description	Part No.
Double-bit 3mm	ALI503
Double-bit 5mm	ALI505
Square 7mm	ALI523
Square 8mm	ALI525
Triangular 8mm	ALI524
Slotted 2x4mm	ALI528

OICP

Operator Interface Control Panel



IP65

Technical data

Material: Body: Al Mg Si05, Rear plate: Al Mg, and Corners: Al Si12.

Protection: Complies with IP 65.

Finish: Body and rear plate: anodised aluminium, and Corners: RAL 7016.

Delivery: Body, screwed rear plate, front plate mounting kit, and mounting accessories.

OICP, IP65

H	W	D	Part No.
309	525	200	OICP305220
345	395	200	OICP343920
354	525	200	OICP355220
398	525	200	OICP395220
415	470	200	OICP414720
495	542	200	OICP495420

* The external enclosure dimension is increased by 16.5mm on the side where there is a grip profile.



Swing Arms accessories

OIDES, OICP panel with door extension section



Description: OICP panel with door extension profile. It increases the OICP panel depth in 55mm. It has grid profiles in the door extension profile sides.

Material: Body and door extension profile: Al Mg Si05, Rear plate: Al Mg, and Corners: Al Si12.

Protection: Complies with IP 65.

Finish: Body, door extension profile and rear plate: anodised aluminium, and Corners: RAL 7016.

Pack quantity: OICP panel with rear plate, door extension profile, external hinges, and locking system.

Enclosure dimension			Viewing area		Part No.
H	W	D	h	w	
309	525	55+200	255	471	OIDES305205
345	395	55+200	291	341	OIDES343905
354	525	55+200	300	471	OIDES355205
398	525	55+200	344	471	OIDES395205
415	470	55+200	361	416	OIDES414705
495	542	55+200	441	488	OIDES495405

OISN, Spring nut set



Description: Spring nuts for fixing components easily, without any machining in the panel.

Pack quantity: 10 pcs.

Thread	Part No.
M4	OISN04
M5	OISN05

OICH, Command handle



Description: Handle with ergonomic design, which enables easy handling of the panel, even with working gloves. Machining is required.

Material: Aluminium.

Finish: Anodised aluminium.

Pack quantity: 1 pc.

W	Part No.
250	OICH250
350	OICH350

OIFP, Front plate



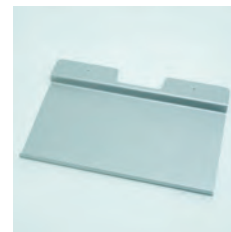
Description: Front plate for components, with a protection film in one side.

Material: 3mm aluminium.

Pack quantity: 1 piece. Mounting accessories are supplied with the control panel OICP.

H	W	h	w	Part No.
269	485	255	471	OIFP3052
305	355	291	341	OIFP3439
314	485	300	471	OIFP3552
358	485	344	471	OIFP3952
375	430	361	416	OIFP4147
455	502	441	488	OIFP4954

OIKS, Keyboard support



Description: Keyboard support to be fixed to the control panel. Machining is required.

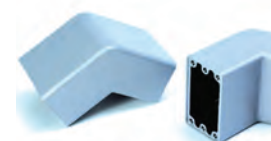
Material: Mild steel. Stainless steel available on request.

Finish: RAL 9006.

Pack quantity: 1 pc with mounting accessories.

Part No.
OIKS01

OIPC, 122° connecting brackets



Description: For connecting OICP control panel to keyboard panel below. Machining is required.

Material: Aluminium.

Finish: RAL 9006.

Pack quantity: 2 pcs with mounting accessories.

Part No.
OIPC01

Swing Arms

SASL

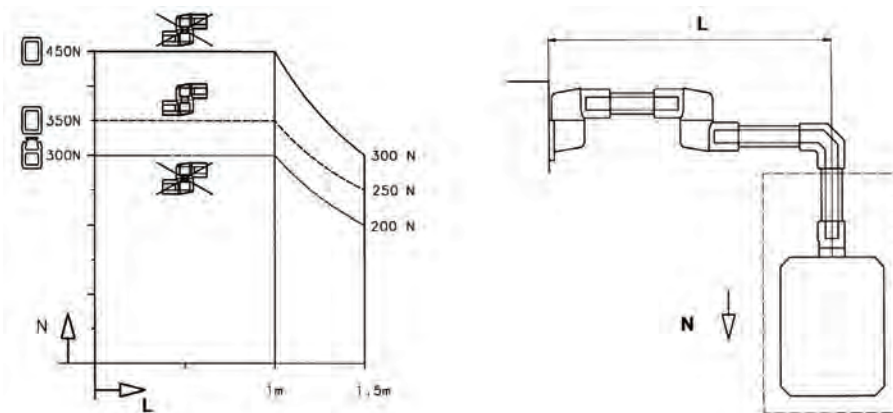
Swing Arm SL, light system



Technical data

The maximum weight which an SL swing arm can support depends on the length of the arm and the systems structure.

$$\text{Max. Weight (Kg)} = N / 9.81$$





Swing Arms accessories

SAS, Operator arm section profile



Description: The arm section profile is available with an open cable duct or completely closed. In the open profile the plastic cover can be easily pulled out and fitted back into place.

Material: Extruded aluminium profile. Plastic cover in the open profile made from EPDM.

Weight: Closed profile 3.50Kg/m, Open profile 3.76Kg/m.

Finish: Anodised aluminium, similar to RAL 9006. Plastic cover in the open profile similar to RAL 7042.

Delivery: 1 pc.

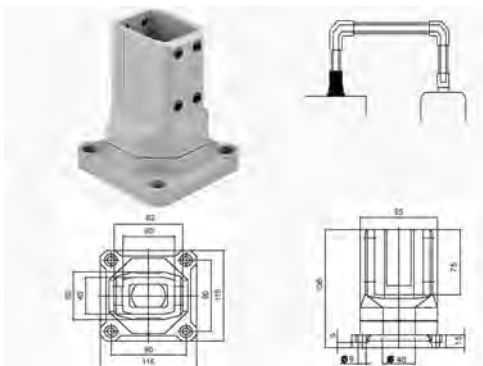
Closed profile

H	W	Length	Part No.
60	45	250	SAS025CSL
		500	SAS050CSL
		1000	SAS100CSL
		2000	SAS200CSL

Open profile

H	W	Length	Part No.
60	45	250	SAS025OSL
		500	SAS050OSL
		1000	SAS100OSL
		2000	SAS200OSL

SABT SL, Base bracket turnable SL



Description: Base bracket turnable for SL system, angle of rotation 300° with limiter.

Material: Aluminium.

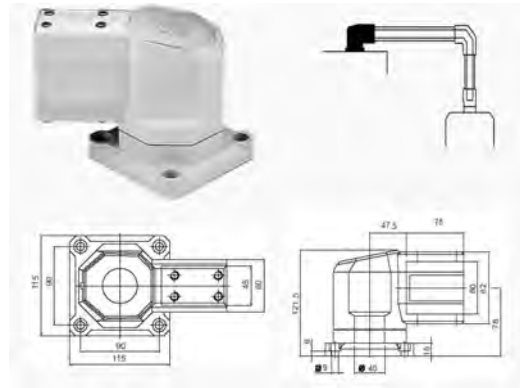
Finish: RAL 7035.

Delivery: 1 pc, sealing gaskets, and mounting accessories.

Part No.

SABT1SL

SASJ, Set-up joint SL



Description: Set-up joint component for SL system, angle of rotation 300° with limiter. Cable access with a plastic clip-on cover.

Material: Aluminium.

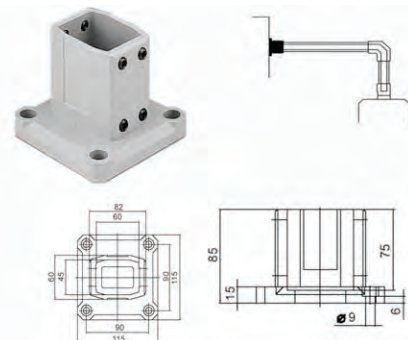
Finish: RAL 7035.

Delivery: 1 pc, sealing gaskets, and mounting accessories.

Part No.

SASJ1SL

SABW, Base or wall flange SL



Description: Base or Wall flange component for SL system.

Material: Aluminium.

Finish: RAL 7035.

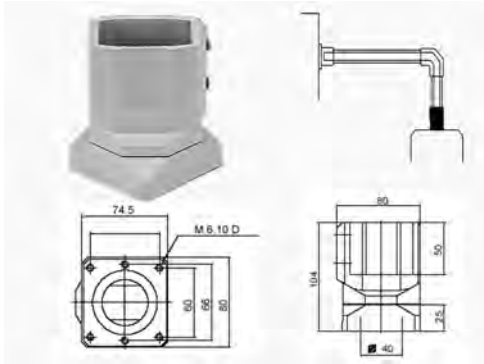
Delivery: 1 pc, sealing gaskets, and mounting accessories.

Part No.

SABW1SL

Swing Arms accessories

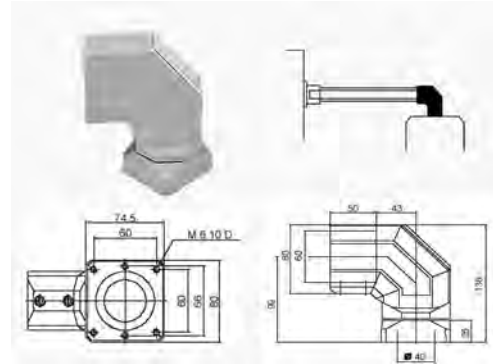
SAC, Coupling SL



Description: Coupling component for SL system, angle of rotation 300° with limiter.
Material: Aluminium.
Finish: RAL 7035.
Delivery: 1 pc, sealing gaskets, and mounting accessories.

Part No.
SAC1SL

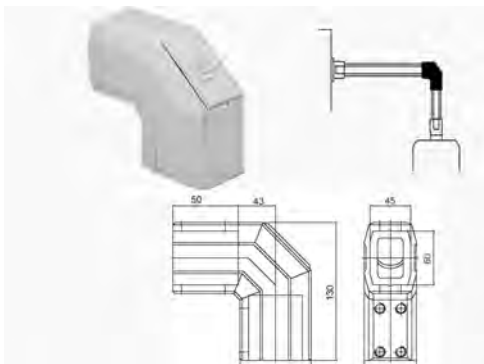
SAEC, Elbow coupling SL



Description: Elbow coupling component for SL system, angle of rotation 300° with limiter. Cable access with a plastic clip-on cover.
Material: Aluminium.
Finish: RAL 7035.
Delivery: 1 pc, sealing gaskets, and mounting accessories.

Part No.
SAEC1SL

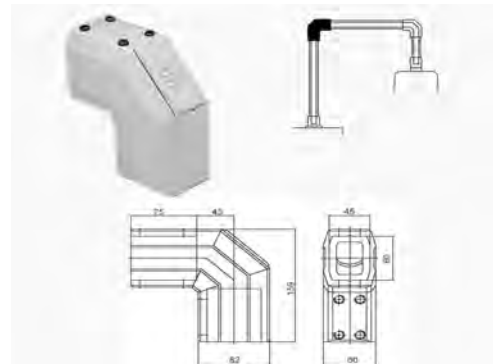
SAE, Elbow SL



Description: Elbow component for SL system. Cable access with a plastic clip-on cover.
Material: Aluminium.
Finish: RAL 7035.
Delivery: 1 pc, sealing gaskets, and mounting accessories.

Part No.
SAE1SL

SARE, Reinforced elbow SL



Description: Reinforced elbow component for SL system. Cable access with a plastic clip-on cover.
Material: Aluminium.
Finish: RAL 7035.
Delivery: 1 pc, sealing gaskets, and mounting accessories.

Part No.
SARE1SL

SASM

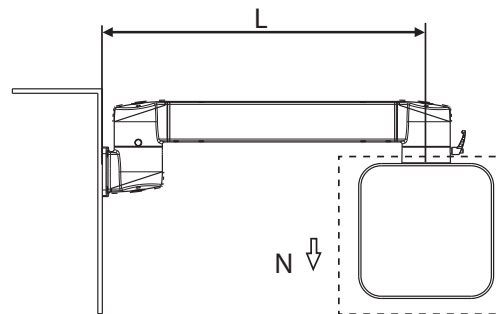
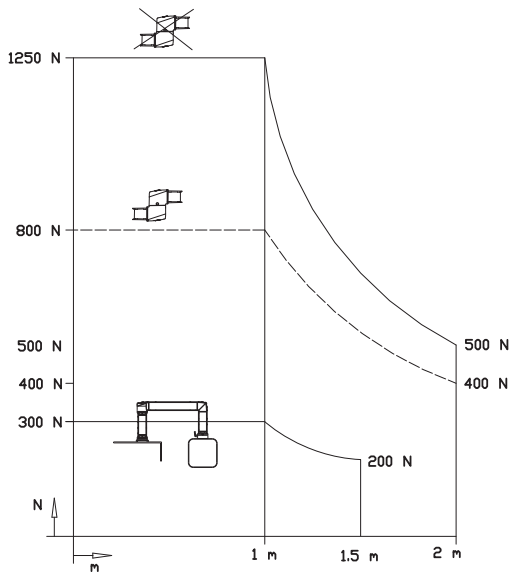
Swing Arm SM, medium system

NEW!



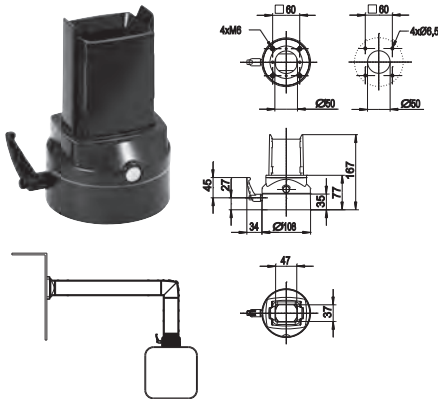
The maximum weight which an SM swing arm can support depends on the length of the arm and the system structure. Max.

$$\text{Weight (Kg)} = N / 9.81$$



Swing Arms accessories

SAC SM, Coupling SM



Description: Coupling component for SM system, angle of rotation 300 degrees with stop.

Material: Die-cast aluminium.

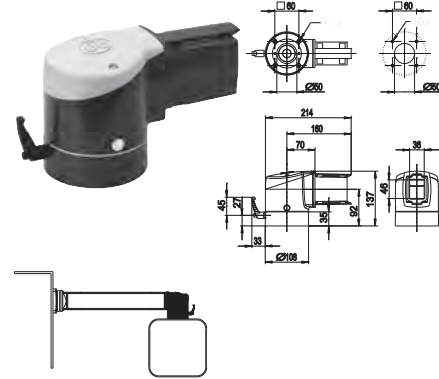
Finish: RAL 7016 (anthracite grey).

Delivery: Delivery: 1 pc, sealing gaskets and mounting accessories.

Part No.

SAC1SM

SAEC SM, Elbow coupling SM



Description: Elbow coupling for SM, angle of rotation 300 degrees with stop, including screw fitting plastic cover.

Material: Die-cast aluminium.

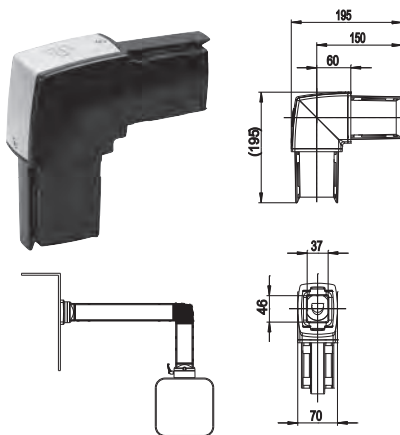
Finish: RAL 7016 (anthracite grey).

Delivery: 1 pc, sealing gaskets and mounting accessories.

Part No.

SAEC1SM

SAE SM, Elbow SM



Description: Elbow component for SM system. Cable access with a screw fitted plastic cover.

Material: Die-cast aluminium.

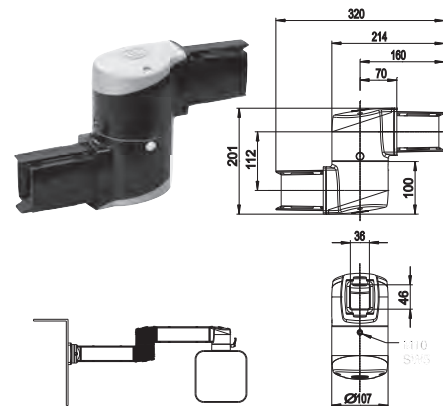
Finish: RAL 7016 (anthracite grey).

Delivery: 1 pc, sealing gaskets and mounting accessories.

Part No.

SAE1SM

SAIJ SM, Intermediate joint SM



Description: Intermediate joint for SM system, angle of rotation 300 degrees with stop, 2 assembly including screw-fitted plastic covers.

Material: Die-cast aluminium.

Finish: RAL 7016 (anthracite grey).

Delivery: 1 pc, sealing gaskets and mounting accessories.

Part No.

SAIJ1SM

