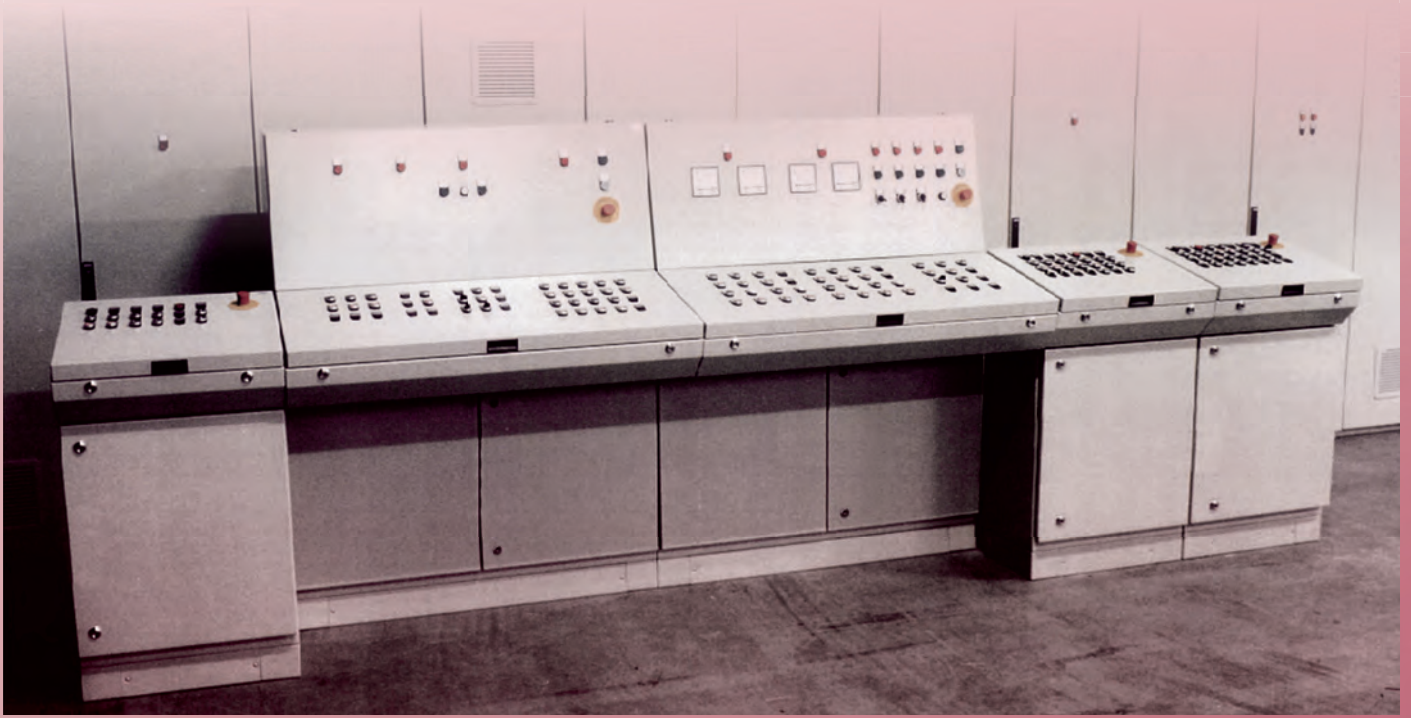


# CONSOLE SYSTEMS





**MPG 144**  
mild steel

Single door:  
**IP 66, NEMA 4, 12, 13**  
Double door:  
**IP 55, NEMA 12**  
  
**H: 985**  
**W: 600-1600**  
**D: 400**



**MPC 146**  
mild steel

Single door:  
**IP 66, NEMA 4, 12, 13;**  
Double door:  
**IP 55, NEMA 12,13**  
  
Top Section  
**H: 500**  
**W: 600-1600**  
**D: 494**  
Desk  
**H: 250**  
**W: 600-1600**  
**D: 985**  
Base unit  
**H: 700**  
**W: 600-1600**  
**D: 500**



**MPGS 150**  
stainless steel

Single door:  
**IP 66, NEMA 4x,12,13;**  
Double door:  
**IP 55, NEMA 12,13**  
  
**H: 985**  
**W: 600-1200**  
**D: 400**



**MPCS 152**  
stainless steel

Single door:  
**IP 66, NEMA 4x, 12, 13**  
Double door:  
**IP 55, NEMA 12**  
  
Top Section  
**H: 500**  
**W: 600-1600**  
**D: 494**  
Desk  
**H: 250**  
**W: 600-1600**  
**D: 985**  
Base unit  
**H: 700**  
**W: 600-1600**  
**D: 500**



**Accessories**

Plinths	156
Mounting plates	157
Panels and lids	158
Profiles	159

**General Accessories 286**



## Mild steel and stainless steel console systems

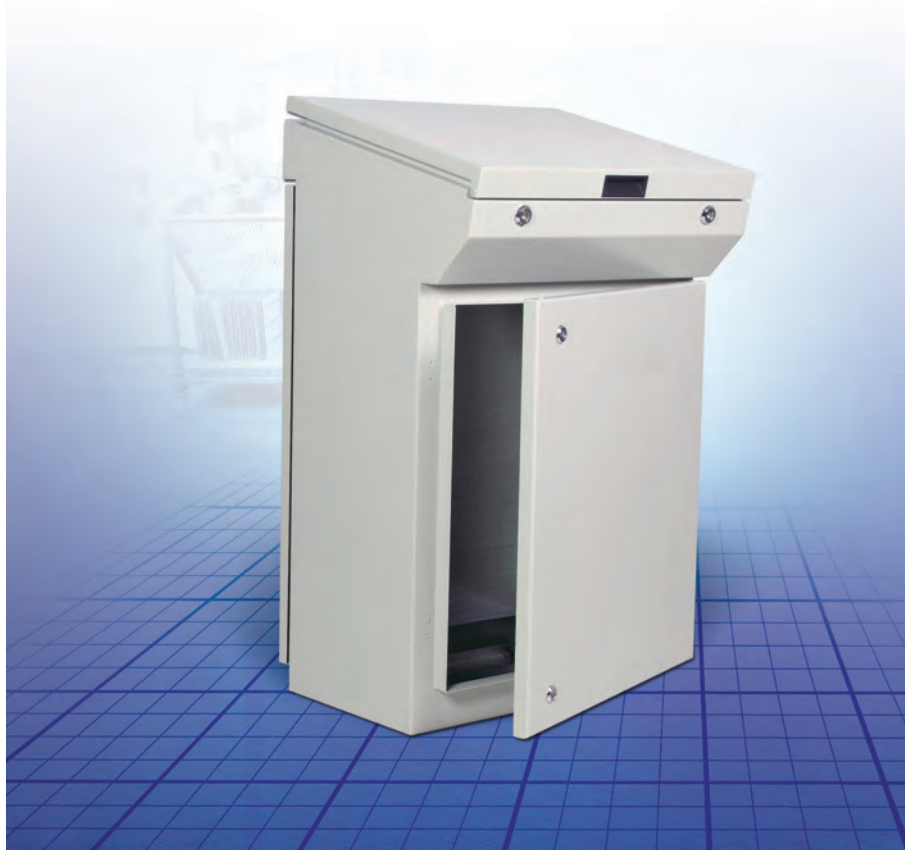


- ◆ Surface mounted doors and panels with injected one-piece gaskets.
- ◆ Integral handle to aid lifting.
- ◆ Hinges are now mounted outside the aperture to simplify re-hinging of the door even if the enclosure is fully equipped.
- ◆ The mounting plate position can easily be adjusted in depth, in 12.5 mm steps, with the accessory MPGDA.
- ◆ Door may be either right or left hand opening.
- ◆ Bottom gland plates included.
- ◆ Approvals and certifications

**MPG**

**One-piece consoles in mild steel**

The MPG simple but effective one-piece console is available in five sizes. The top desk panel is held open by a self-engage/self-release mechanical panel stay and combines with the removable rear panel and front door, to ensure convenient access. A range of 19" accessories adds further versatility.



IP 66/NEMA 4,12,13;  
IP 55/ NEMA 12, 13



**Technical data**

**Material:** MPG: Body and door: 1.5mm mild steel. Rear panel 1.5mm mild steel. Bottom plates 1.2mm galvanized steel. Mounting Plate 2.5mm galvanized steel.

**Body:** Folded and seam welded. Integrated plinth.

**Doors and panels:** Single folded surface mounted with hinges allowing left and right-hand opening to base door. Angle 12° from horizontal. Concealed hinges on top edge allow 80° opening. Panel held open by self engage/self release mechanical panel stay. Double doors on 1200 and 1600 mm wide base units.

**Mounting plate:** Standard mounting plate in base unit.

**Cable inlet:** Bottom opening for cable access. Bottom plate for cable glanding supplied as standard.

**Lock:** Double-bit 3mm locks for top panel. For base, two double-bit 3mm locks. Other options available. See wall mounting section.

**Earthing:** M8 threaded studs on body, door, top panel and rear panel.

**Finish:** RAL 7035 structure powder coating.

**Protection:** Single door: IP 66/NEMA 4, 12 13 Double doors: IP 55/NEMA 12 and 13.

**Delivery:** Mounting plate and suitable nuts and washers for earthing. The console is delivered on a wooden pallet.



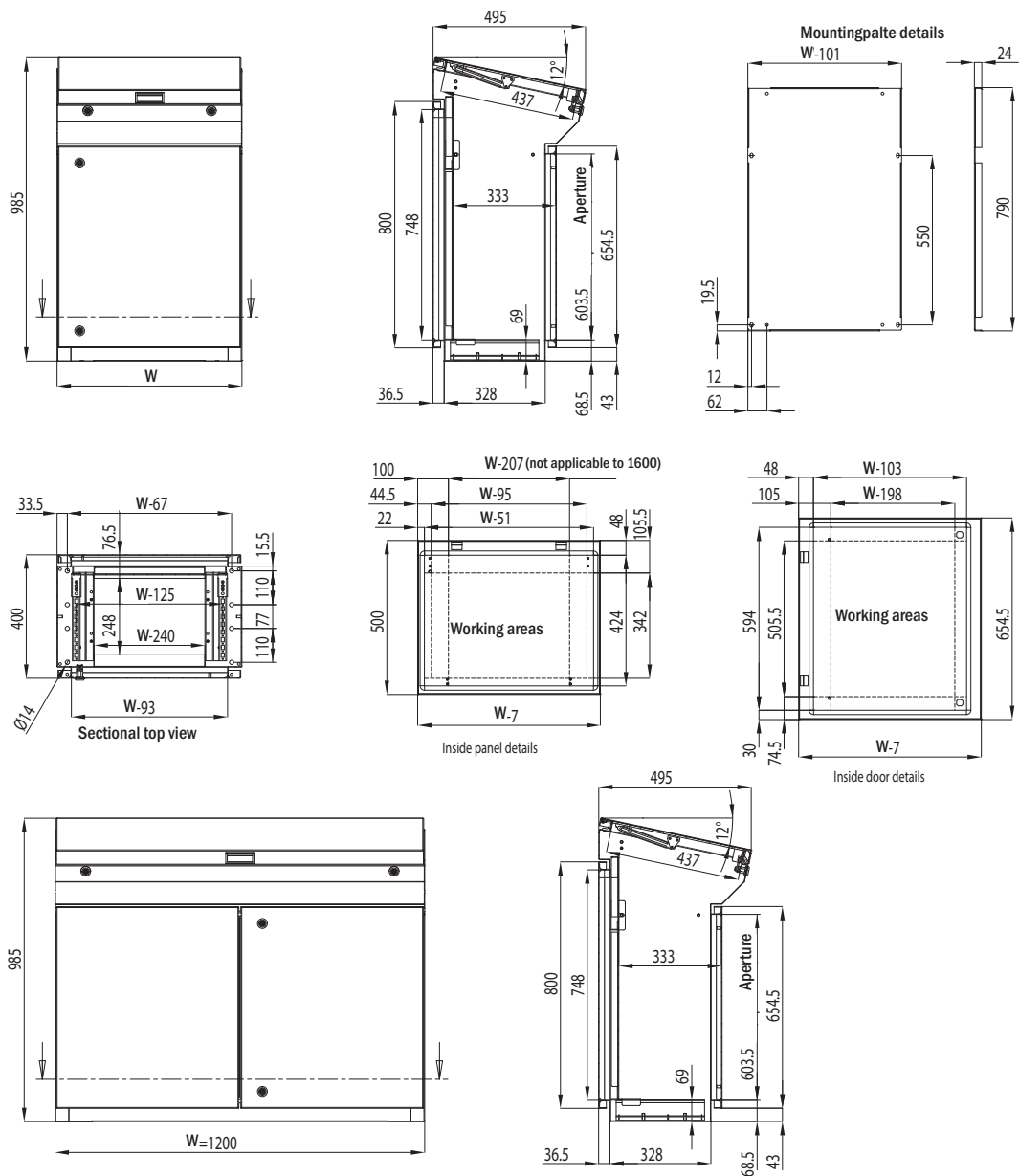
MPG, IP 66/NEMA 4,12,13; IP 55/ NEMA 12, 13

Mild steel

H	W	D	h	w	Usable depth	Part No.
985	600	400	790	499	333	MPG06R5
	800	400	790	699	333	MPG08R5
	1000	400	790	899	333	MPG10R5
	1200	400	790	1099	333	MPG12R5
	1600	400	790	1499	333	MPG16R5

Note: Only 1200 and 1600 wide consoles have double doors.

## Dimensions



**MPC**

**Console system**

Flexible console system, allows a versatile number of combinations to configure the system to your design. The top section and desk panels are held open by a self-engage/self-release mechanical panel stay and combines with the top removable rear panel and front door, to ensure convenient access. A range of 19" accessories adds further versatility. The MPC range is fully compatible with the stainless steel MPCS units, providing additional protection if required.



IP 66/NEMA 4, 12, 13;  
IP 55/ NEMA 12,13



**Technical data**

**Material:** Body and door: 2.0mm mild steel. Rear panel 1.5mm mild steel. Bottom plates: 1.2mm galvanized steel.  
**Mounting plate:** 2.5 mm galvanized steel.  
**Body:** Folded and seam welded. Integrated plinth.  
**Doors and panels:** Single folded surface mounted with hinges allowing left and right-hand opening to base door. Top section and desk panels held open by self engage/self release mechanical panel stays. Concealed hinges allowing 90° opening on the desk. Double doors on 1200 and 1600 mm wide base units.  
**Mounting plate:** Standard in base unit. Fixed by fixing brackets on C rail, top and bottom for depth adjustment. Optional in desk and top section units.  
**Lock:** Double-bit 3mm locks for top section and desk unit. For base, two double-bit 3mm locks. Other options available, see wall mounting section.

**Cable access:** Bottom opening in base unit for cable access. Bottom plates for cable glanding supplied as standard.  
**Earthing:** M8 threaded studs on bodies, doors and rear panels.  
**Finish:** MPC: RAL 7035 structure powder coating.  
**Protection:** MPC single door: Corresponds with IP 66 and NEMA 4, 12 and 13.  
 MPC double door: Corresponds with IP 55 and NEMA 12 and 13.  
**Delivery:** The base unit is provided with a mounting plate as standard. Desk and top section units have mounting plates provided as accessories. All top and base apertures can be closed by choosing the appropriate accessory plate. Suitable nuts and washers for the various earthing studs are provided.



MPC, IP 66/NEMA 4, 12, 13; IP 55/ NEMA 12,13

## Top section units

Mild steel

H	W	D	Part No.
500	600	494	MPC061R5
	800	494	MPC081R5
	1000	494	MPC101R5
	1200	494	MPC121R5
	1600	494	MPC161R5

## Desk units

Mild steel

H	W	D	Part No.
250	600	985	MPC062R5
	800	985	MPC082R5
	1000	985	MPC102R5
	1200	985	MPC122R5
	1600	985	MPC162R5

## Base units with mounting plate

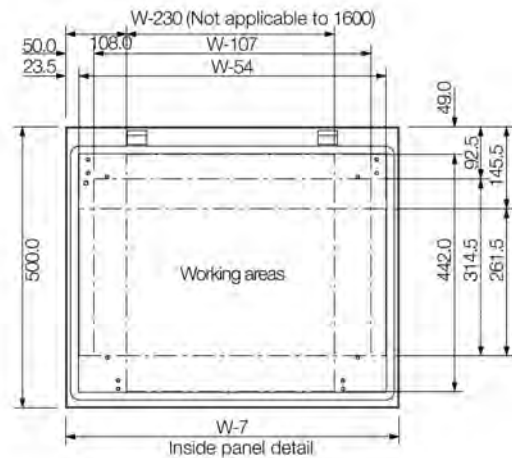
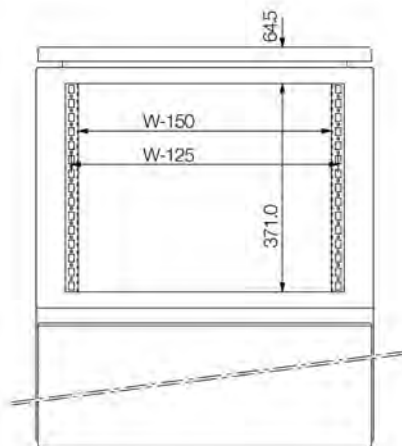
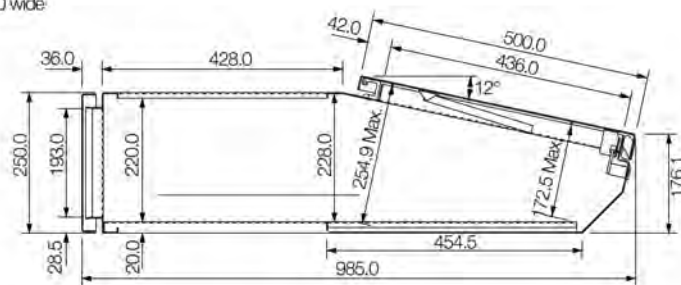
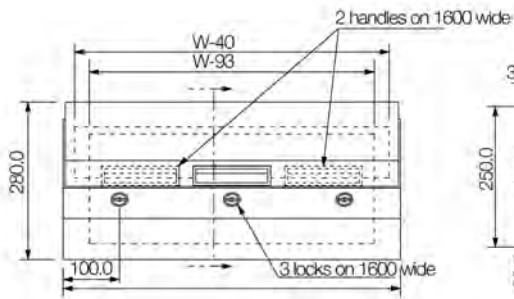
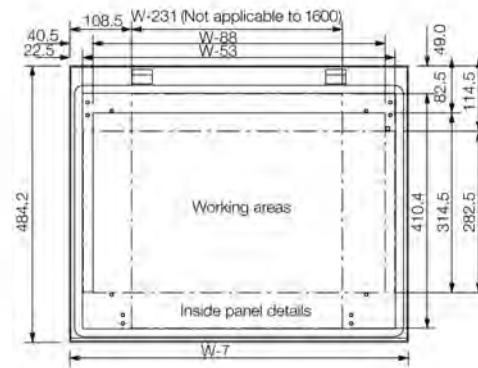
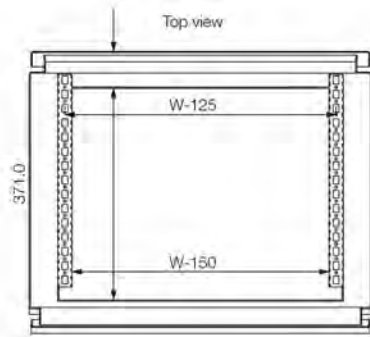
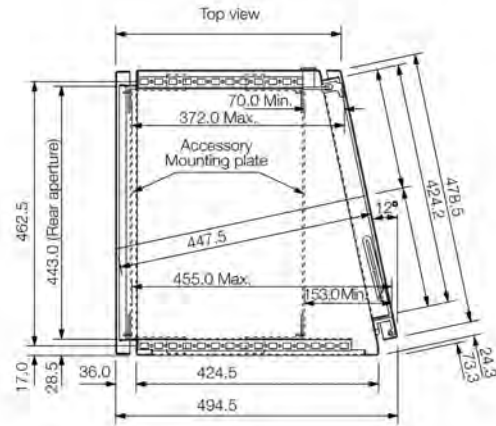
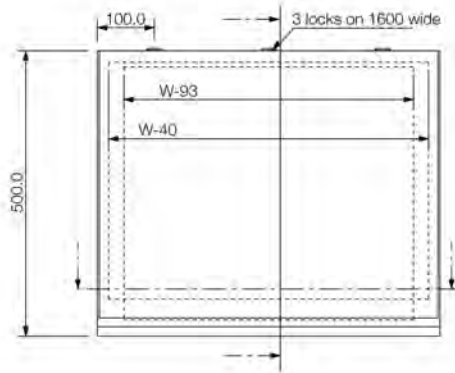
Mild steel

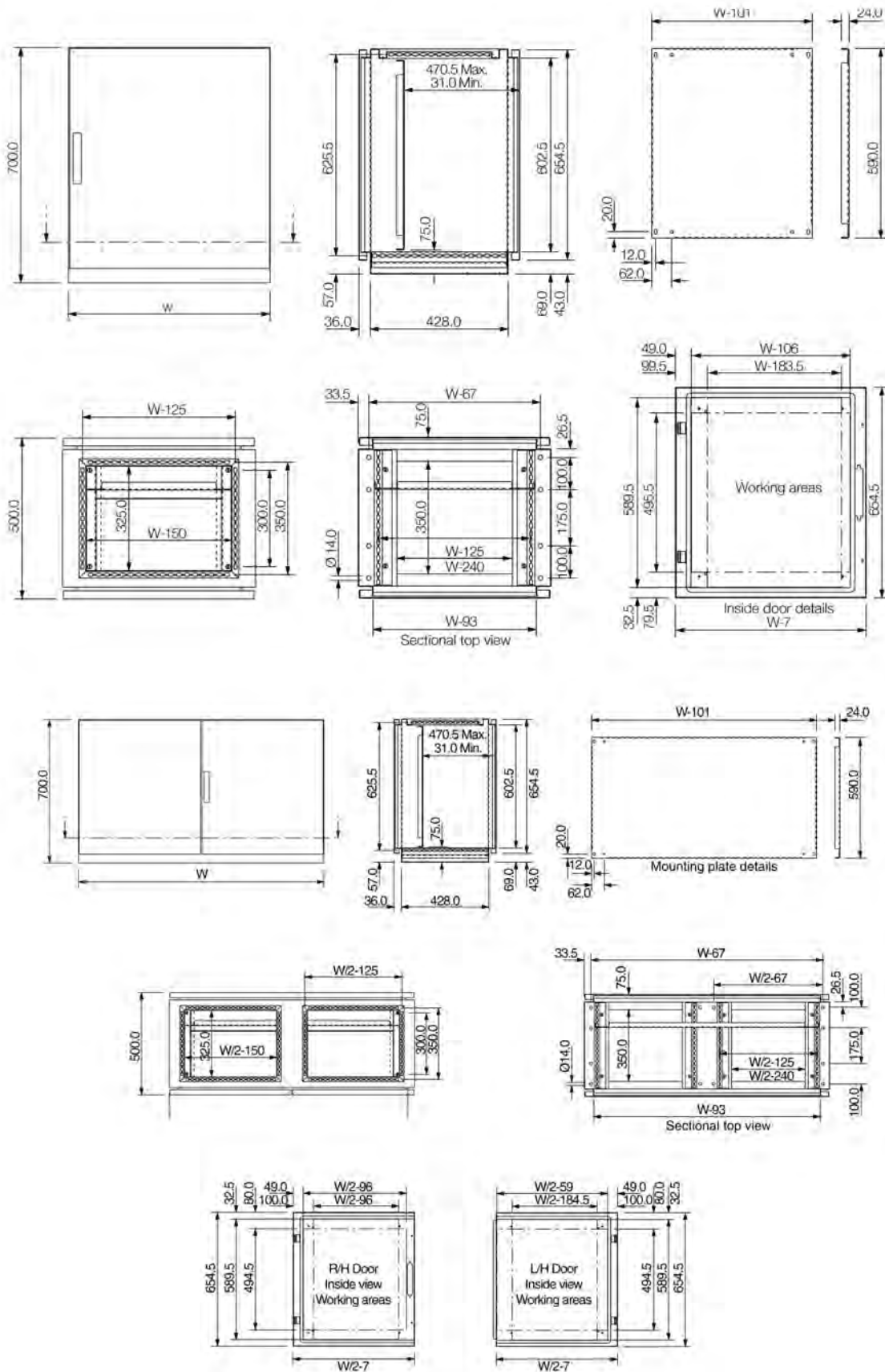
H	W	D	h	w	Usable depth	Part No.
700	600	500	590	499	470,5	MPC063R5
	800	500	590	699	470,5	MPC083R5
	1000	500	590	899	470,5	MPC103R5
	1200	500	590	1099	470,5	MPC123R5
	1600	500	590	1499	470,5	MPC163R5

Note: Only 1200 and 1600 wide consoles have double doors.



Dimensions





**MPGS**

**One-piece consoles in stainless steel**

The MPGS simple but effective one-piece console is available in five sizes. The top desk panel is held open by a self-engage/self-release mechanical panel stay and combines with the removable rear panel and front door, to ensure convenient access. The MPGS range provides high corrosion resistance and is the ideal solution for harsh environments. A range of 19" accessories adds further versatility.



IP 66/ NEMA4x, 12 ,13;  
IP 55/ NEMA 12,13



**Technical data**

**Material:** AISI 304 pre-grained stainless steel / AISI 316L (on request).  
 Body and door: 2mm. Rear panel 1.5mm . Bottom plates 1.5mm .  
 Mounting plate: 2.5mm galvanized steel.  
**Body:** Folded and seam welded. Integrated plinth.  
**Doors and panels:** Single folded surface mounted with hinges allowing left and right-hand opening to base door. Angle 12° from horizontal. Concealed hinges on top edge allow 80° opening. Panel held open by self engage/self release mechanical panel stay. Double doors on 1200 wide base units.  
**Mounting plate:** Standard mounting plate in base unit.  
**Cable inlet:** Bottom opening for cable access. Bottom plate for cable glanding supplied as standard.

**Lock:** Double-bit 3mm locks for top panel. For base, two double-bit 3mm locks. Other options available. See wall mounting section.  
**Earthing:** M8 threaded studs on body, door, top panel and rear panel.  
**Finish:** 240s pre grained (average 0.5 micron), (other grades available upon request).  
**Protection:** Single doors: IP 66/NEMA , 4X, 12 13 Double doors: IP 55/NEMA 12and 13.  
**Delivery:** Mounting plate and suitable nuts and washers for earthing. The console is delivered on a wooden pallet.



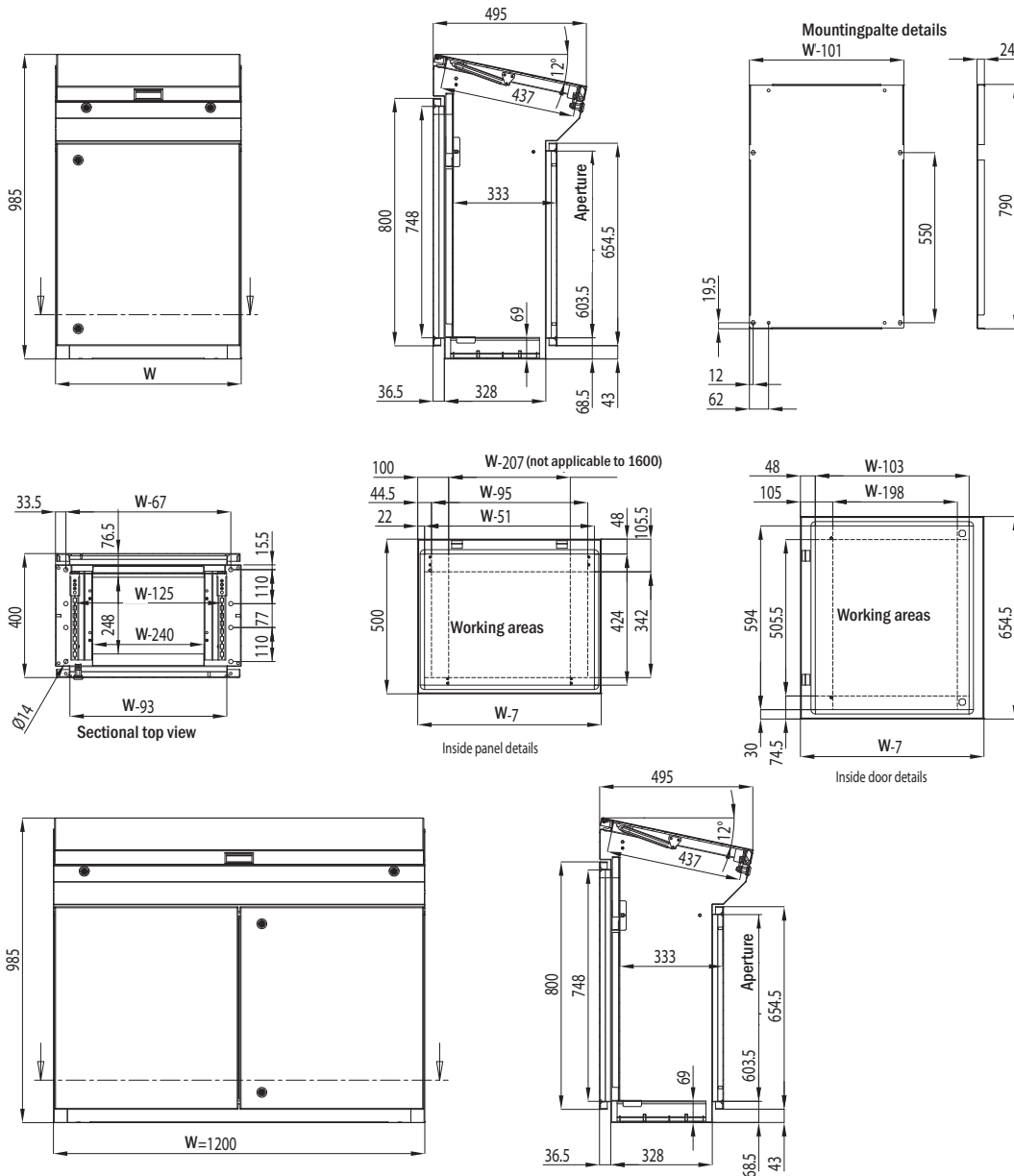
MPGS, IP 66/ NEMA4x, 12, 13; IP 55/ NEMA 12, 13

Stainless steel

H	W	D	h	w	Usable depth	Part No. AISI 304	Part No. AISI 316L
985	600	400	790	499	357,5	MPGS06	MPGS06-316 *
	800	400	790	699	357,5	MPGS08	MPGS08-316 *
	1000	400	790	899	357,5	MPGS10	MPGS10-316 *
	1200	400	790	1099	357,5	MPGS12	MPGS12-316 *

Note: Only 1200 wide consoles have double doors.  
 •Delivery times upon request

## Dimensions



**MPCS**

**Console system, stainless steel**

Flexible console system, allows a versatile number of combinations to configure the system to your design. The top section and desk panels are held open by a self-engage/self-release mechanical panel stay and combines with the top removable rear panel and front door, to ensure convenient access. The MPCS range provides high corrosion resistance and is the ideal solution for harsh environments.



IP 66 / NEMA 4x , 12, 13;  
IP 55 / NEMA 12, 13



**Technical data**

**Material:** MPCS: AISI 304 pre-grained stainless steel/ AISI 316L (on request).  
 Body and door: 2mm. Rear panel 1.5mm. Bottom plates 1.5mm.  
 Mounting plate: 2.5mm galvanized steel.  
**Body:** Folded and seam welded. Integrated plinth.  
**Doors and panels:** Single folded surface mounted with hinges allowing left and right-hand opening to base door. Top section and desk panels held open by self engage/self release mechanical panel stays. Concealed hinges allowing 90° opening on the desk. Double doors on 1200mm and 1600mm wide base units.  
**Mounting plate:** Standard in base unit. Fixed by fixing brackets on C rail, top and bottom for depth adjustment. Optional in desk and top section units.  
**Lock:** Double-bit 3mm locks for top section and desk unit. For base, two double-bit 3mm locks. Other options available, see wall mounting section.

**Cable access:** Bottom open in base unit for cable access. Bottom plates for cable glanding supplied as standard.  
**Earthing:** M8 threaded studs on bodies, doors and rear panels.  
**Finish:** 240s pre grained (average 0.5 micron).  
**Protection:** MPCS single door: Corresponds with IP 66 and NEMA 4X, 12 and 13.  
 MPCS double door: Corresponds with IP 55 and NEMA 12 and 13.  
**Delivery:** The base unit is provided with a mounting plate as standard. Desk and top section units have mounting plates provided as accessories. All top and base apertures can be closed by choosing the appropriate accessory plate. Suitable nuts and washers for the various earthing studs are provided.



MPCS, IP 66 / NEMA 4x ,12,13; IP 55 / NEMA 12,13

Top section units

Stainless steel

H	W	D	Part No. AISI 304	Part No. AISI 316L
500	600	494	MPCS061	MPCS061-316 *
	800	494	MPCS081	MPCS081-316 *
	1000	494	MPCS101	MPCS101-316 *
	1200	494	MPCS121	MPCS121-316 *
	1600	494	MPCS161	MPCS161-316 *

Desk units

Stainless steel

H	W	D	Part No. AISI 304	Part No. AISI 316L
250	600	985	MPCS062	MPCS062-316 *
	800	985	MPCS082	MPCS082-316 *
	1000	985	MPCS102	MPCS102-316 *
	1200	985	MPCS122	MPCS122-316 *
	1600	985	MPCS162	MPCS162-316 *

Base units with mounting plate

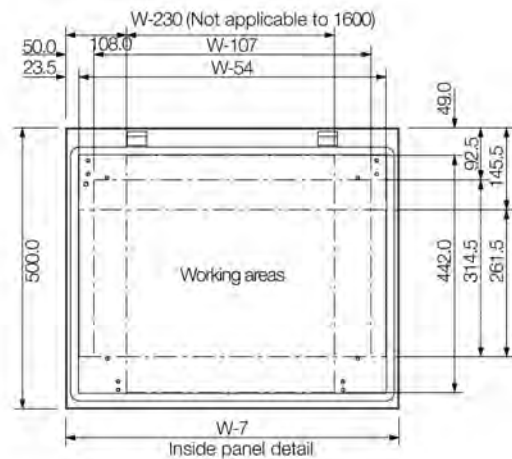
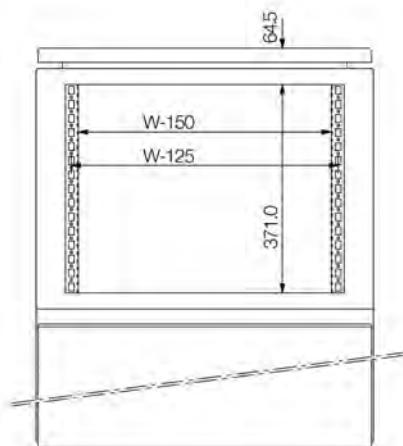
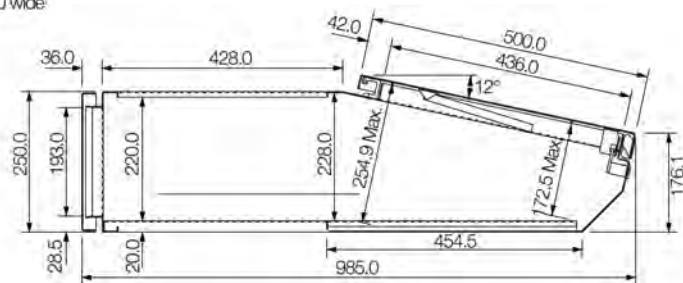
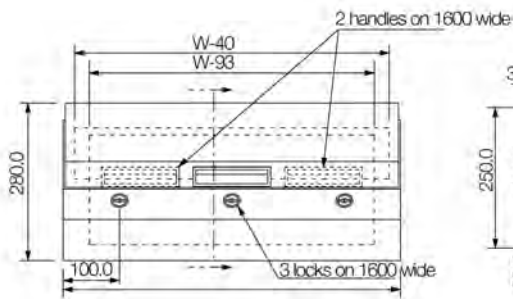
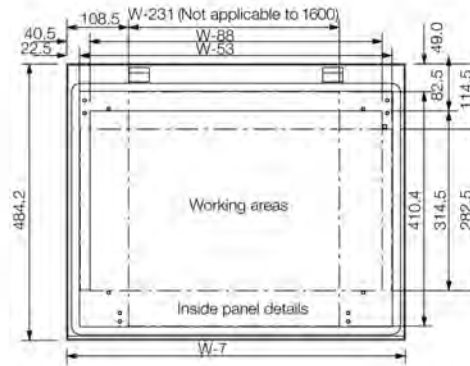
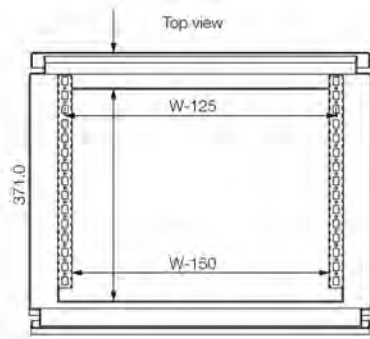
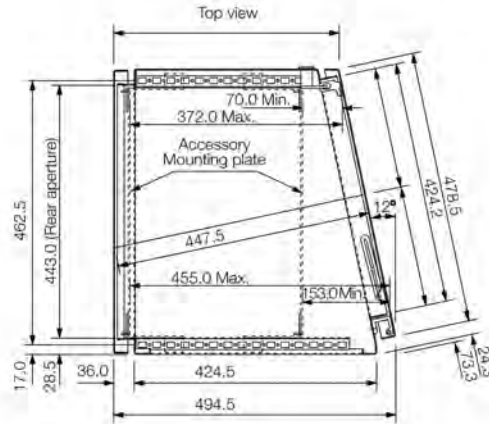
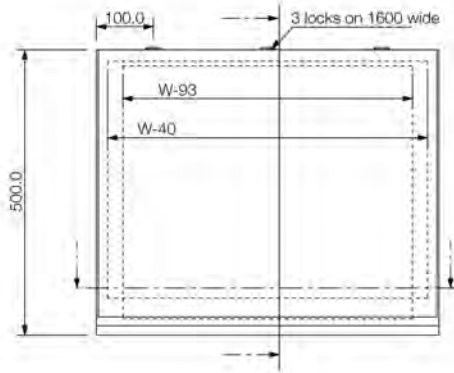
Stainless steel

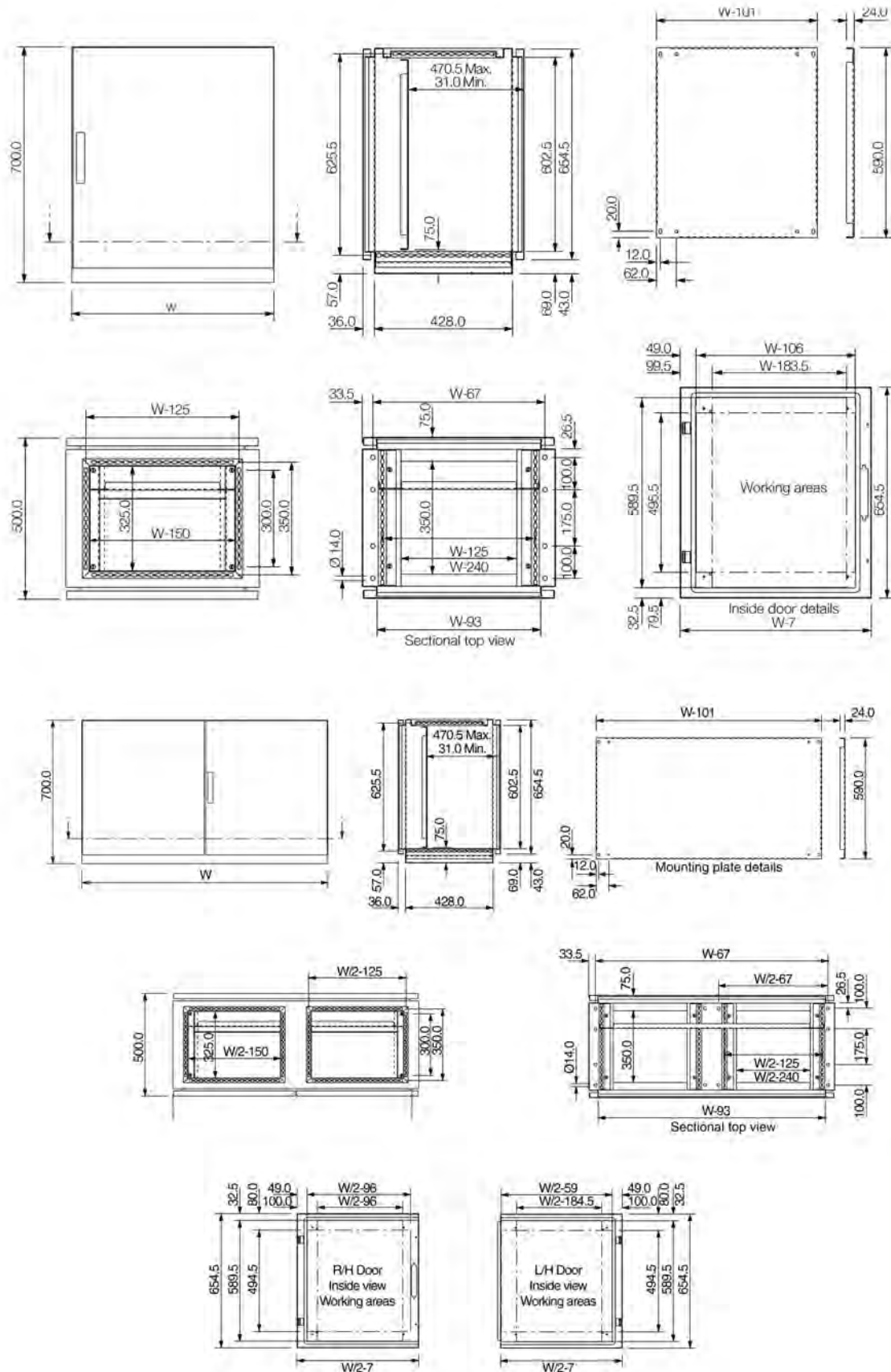
H	W	D	h	w	Usable depth	Part No. AISI 304	Part No. AISI 316L
700	600	500	590	499	470,5	MPCS063	MPCS063-316 *
	800	500	590	699	470,5	MPCS083	MPCS083-316 *
	1000	500	590	899	470,5	MPCS103	MPCS103-316 *
	1200	500	590	1099	470,5	MPCS123	MPCS123-316 *
	1600	500	590	1499	470,5	MPCS163	MPCS163-316 *

Note: Only 1200 and 1600 wide consoles have double doors.

•Delivery times upon request

Dimensions









## MPG, MPC, MPGS, MPCS accessories

### PF, Front/rear Plinths



**Description:** Front and rear plinth sections. For cabling without any restrictions and in accordance with the VDE 0113 standard. The plinth consists of four corner pieces with removable front covers. The side panels PST are to be ordered separately. Produced in 100mm and 200mm heights. 200mm high plinths are delivered with a rear cover for cabling that consists of two removable panels 100mm high. The front cover is a one piece panel of 200mm high. All panels have double returns on each panel for added strength.

**Material:** Corner pieces in 2mm and panels in 1.5mm mild steel.

**Finish:** RAL 7022 structured powder coating.

**Pack quantity:** 1 set of 4 corner pieces including covers. Front and rear panel (2 rear panels for 200mm, high plinths) with mounting accessories. Mounting accessories for side panels PST.

**Mounting requirement:** When adding enclosures, it is recommended to add the side panels PST for a complete plinth.

H	W	Part No.
100	400	PF1040
	600	PF1060
	700	PF1070
	800	PF1080
	1000	PF1100
200	1200	PF1120
	1400	PF1140
	400	PF2040
	600	PF2060
	700	PF2070
	800	PF2080
	1000	PF2100
1200	PF2120	
1400	PF2140	

\* For enclosures 1600mm wide use 2 x 800mm wide plinth

### PST, Plinth Side panels



**Description:** Mounted directly to the corner pieces.

**Material:** 1.5mm mild steel.

**Finish:** Structure powder paint, RAL 7022.

**Pack quantity:** 2 side panels, mounting accessories included in PF package.

H	D	Part No.
100	400	PST1040
	500	PST1050
	600	PST1060
	800	PST1080
200	400	PST2040
	500	PST2050
	600	PST2060
	800	PST2080

### MSNS, Plinths



**Description:** Allowing cabling without any restrictions and in accordance with the VDE 0113 standard. The plinth consists of four corner pieces with removable plates. Available 100mm and 200mm high with removable side plates.

**Material:** Corners 3mm, and panels 1.5mm AISI 304 pre-grained stainless steel.

**Finish:** 240s pre-grained stainless steel (average 0.5 micron)

**Pack quantity:** 1 plinth with mounting material.

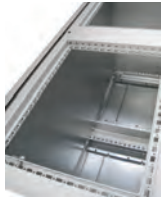
H	W	D	Part No.	
100	600	400	MSNS1064	
		500	MSNS1065	
	800	400	MSNS1084	
		500	MSNS1085	
	1000	400	MSNS1104	
		500	MSNS1105	
	1200	400	MSNS1124	
		500	MSNS1125	
	200	600	400	MSNS2064
			500	MSNS2065
800		400	MSNS2084	
		500	MSNS2085	
1000		400	MSNS2104	
		500	MSNS2105	
1200	400	MSNS2124		
	500	MSNS2125		

\* For enclosures 1600mm wide use 2 x 800mm wide plinth



**MPG, MPC, MPGS, MPCS accessories**

**CBPZ, Mounting plate**



**Description:** Standard Mounting Plate for MPC(S) base section.

**Material:** 2.5mm galvanized steel.

**Pack quantity:** 1 plate with mounting accessories.

Enclosure dimension	Mounting plate dimension		Part No.
	W	h	
600	590	499	CBPZ06
800	590	699	CBPZ08
1000	590	899	CBPZ10
1200	590	1099	CBPZ12
1600	590	1499	CBPZ16

**CDPZ, Mounting plates**



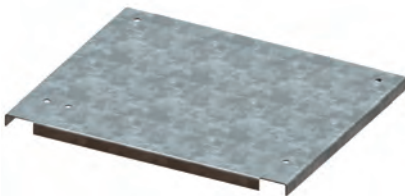
**Description:** Can be used in top section and desk unit, also as a separation plate between desk and base.

**Material:** 3mm galvanized steel.

**Pack quantity:** 1 plate with mounting accessories.

Enclosure dimension	Mounting plate dimension		Part No.
	W	h	
600	427,5	530	CDPZ06
800	427,5	730	CDPZ08
1000	427,5	930	CDPZ10
1200	427,5	1130	CDPZ12
1600	427,5	1530	CDPZ16

**SGPZ, Segregation plates**



**Description:** Used to separate top section and desk unit. Can also be used as a mounting plate in desk.

**Material:** 3mm zinc plated steel.

**Pack quantity:** 1 plate with mounting accessories.

W	Part No.
600	SGPZ06
800	SGPZ08
1000	SGPZ10
1200	SGPZ12
1600	SGPZ16

**GCPZ, Mounting plate**



**Description:** Standard Mounting Plate for MPG(S) console. Adjustable in depth using MPGDA accessory.

**Material:** 2.5mm galvanized steel.

**Pack quantity:** 1 plate with mounting accessories.

Enclosure dimension	Mounting plate dimension		Part No.
	W	h	
600	790	499	GCPZ06
800	790	699	GCPZ08
1000	790	899	GCPZ10
1200	790	1099	GCPZ12
1600	790	1499	GCPZ16

**MPGDA, Depth adjust kit**



**Description:** To provide depth adjustment for mounting plate.

**Material:** 2mm galvanized steel.

**Pack quantity:** 1 set with mounting accessories.

Part No.
MPGDA01

**MPG, MPC, MPGS, MPCS accessories**

**BDP, Cover plates**



**Description:** Used to cover top opening of base or desk unit.  
**Material:** 2mm mild steel.  
**Finish:** Structure powder paint, RAL 7035.  
**Pack quantity:** 1 piece with mounting accessories.

W	Part No.
600	BDP06R5
800	BDP08R5
1000	BDP10R5
1200	BDP12R5
1600	BDP16R5

**BDPS, Cover plates**



**Description:** Used to cover top openings of base, or desk units where hard wearing or corrosion resistance is required.  
**Material:** 2mm AISI 304 pre-grained stainless steel.  
**Finish:** 240s pre-grained stainless steel (average 0.5 micron)  
**Pack quantity:** 1 piece with mounting accessories.

W	Part No.
600	BDPS06
800	BDPS08
1000	BDPS10
1200	BDPS12
1600	BDPS16

**MPPS, Stainless panel**



**Description:** For replacing standard panel on MPC(S) top section unit where hard wearing or corrosion resistance is required.  
**Material:** 2mm AISI 304 pre-grained stainless steel.  
**Finish:** 240s pre-grained stainless steel (average 0.5 micron)

H	W	Part No.
500	600	MPPS061
	800	MPPS081
	1000	MPPS101
	1200	MPPS121
	1600	MPPS161

**MPLS, Stainless lid**



**Description:** For replacing standard lid on MPC(S) desk unit or MPG(S) where hard wearing or corrosion resistance is required.  
**Material:** 2mm AISI 304 pre-grained stainless steel.  
**Finish:** 240s pre-grained stainless steel (average 0.5 micron)

W	P	Part No.
600	500	MPLS062
800	500	MPLS082
1000	500	MPLS102
1200	500	MPLS122
1600	500	MPLS162



**MPG, MPC, MPGS, MPCS accessories**

**DNN, Mounting angles (19")**



**Description:** To achieve 19", or partial 19" in 800 mm, wide enclosures, these profiles can be mounted with the mounting brackets DNB or DNC. To achieve 19" in 600 mm, wide enclosures, use the brackets DND.

**Material:** 2 mm zinc plated steel.

**Pack quantity:** 2 pieces

N° of units	Part No.
6	DNN06
9	DNN09
10	DNN10
11	DNN11
13	DNN13
15	DNN15

**DND, Mounting angles (19") fixing brackets**



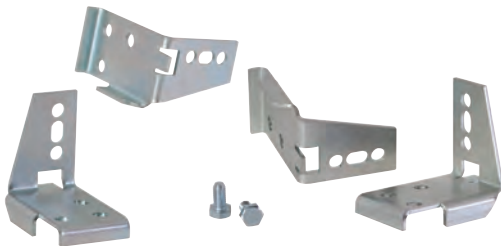
**Description:** For fixing 482.6 mm, mounting brackets (19") in 600 mm, wide enclosures. Adjustable in depth in 12.5 mm, steps.

**Material:** 3mm zinc plated mild steel.

**Pack quantity:** 4 brackets with mounting accessories.

Part No.
DND01

**DNB, Mounting angles (19") brackets**



**Description:** For mounting 19" profiles in 800mm wide enclosures

**Material:** 3mm zinc plated steel.

**Pack quantity:** 4 brackets with mounting accessories.

Part No.
DNB01

**MTD, Vertical dividing bar**

**Description:** Profile with hole pattern to create a division in double door consoles for mounting equipment in half the width.

**Material:** 2mm zinc plated steel.

**Pack quantity:** 1 pair

Part No.
MTD700

**KMB/MPC, Vertical mounting profiles**



**Description:** For console system and consoles. Vertical mounting profiles with 25mm, hole pattern. When fitted into the frame all the relevant accessories can be used

**Material:** 2mm zinc plated steel.

**Pack quantity:** 2 profiles including fixing material.

H	Part No.
700	KMB700