



Saves Your Energy

LFB16

New fuse base for street lighting

Ensto Underground



Saves space, time and installation effort

New fuse base for street lighting

Ensto's new LFB16 is a small, space saving fuse base for street lighting. It will not only save space, but also installation effort.



Simple twist and pull mechanism

- Only 90° turn to open and close

Plastic, totally insulated cover

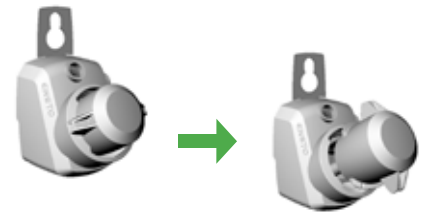
- No need for backplate earthing

Holder at the back

- Possibility to attach multiple fuse bases on top of each other

No cauge piece

- Fuse sizes from 6 to 16A without additional parts



Ease the installation

Ensto's new LFB16 fuse base is designed in close cooperation with customers - our goal was to create the best fuse base in the market. Compact size makes the fuse base installation-friendly and it can be easily fitted inside a street light pole.

Tested quality

Ensto's LFB16 fuse base has been tested to meet the requirements of the IEC 60269-3 standard.

KE connectors

Ensto's branching KE connectors are quick and handy to install. The body is made of tin plated aluminium and the screws are nickel plated brass. The connector cover is made of transparent polycarbonate plastic in order to ease and speed up the installation.

KE connectors are available in two different versions per size range: a four and a six wire version.

Different kits for varying needs

Ensto offers a selection of complete kits. Depending on the need, the kit includes the LFB16 and a set of KE connectors or only the connectors. More detailed kit combinations can be found on the next page.

LFB16 fuse base and KE connectors are also sold separately, so you can just pick the connectors you need.



Product information

Ensto's fuse bases and fixture kits have been renamed.

New type	New EAN		Old Type	Old EAN	Description
LFB16-06A	6438100309145	←	SVV1.06	6418677405822	Fuse base, 6A fuse
LFB16-10A	6438100309138	←	SVV1.10	6418677405839	Fuse base, 10A fuse
LCK4-16-06A	6438100309176	←	SV15.06	6418677405631	LFB16-06A + 3xKE10.1 + 1xKE10.3
LCK5-16-06A	6438100309183	←	SV15.065	6418677405648	LFB16-06A + 4xKE10.1 + 1xKE10.3
LCK4-16-10A	6438100309190	←	SV15.11	6418677405662	LFB16-10A + 3xKE10.1 + 1xKE10.3
LCK5-16-10A	6438100309206	←	SV15.115	6418677405686	LFB16-10A + 4xKE10.1 + 1xKE10.3

Fuse bases

Type	EAN	Description	Conductor size mm ²
LFB16	6438100306274	Empty fuse base max 16A	4
LFB16.1	6438100309114	Empty fuse base max 16A	10
LFB16-06A	6438100309145	Fuse base, 6A fuse	4
LFB16-10A	6438100309138	Fuse base, 10A fuse	4
LFB16.1-06A	6438100309169	Fuse base, 6A fuse	10
LFB16.1-10A	6438100309152	Fuse base, 10A fuse	10



Lamp post fixtures

Type	EAN	Description	Conductor size mm ²	KE connector conductor sizes mm ²
LCK4-16-06A	6438100309176	LFB16-06A + 3xKE10.1 + 1xKE10.3	4	Al 10-35 / Cu 1.5-25
LCK5-16-06A	6438100309183	LFB16-06A + 4xKE10.1 + 1xKE10.3	4	Al 10-35 / Cu 1.5-25
LCK4-16-10A	6438100309190	LFB16-10A + 3xKE10.1 + 1xKE10.3	4	Al 10-35 / Cu 1.5-25
LCK5-16-10A	6438100309206	LFB16-10A + 4xKE10.1 + 1xKE10.3	4	Al 10-35 / Cu 1.5-25
LCK4-16.1-06A	6438100309213	LFB16.1-06A + 3xKE10.1 + 1xKE10.3	10	Al 10-35 / Cu 1.5-25
LCK5-16.1-06A	6438100309220	LFB16.1-06A + 4xKE10.1 + 1xKE10.3	10	Al 10-35 / Cu 1.5-25
LCK4-16.1-10A	6438100309237	LFB16.1-10A + 3xKE10.1 + 1xKE10.3	10	Al 10-35 / Cu 1.5-25
LCK5-16.1-10A	6438100309244	LFB16.1-10A + 4xKE10.1 + 1xKE10.3	10	Al 10-35 / Cu 1.5-25



Branching connectors

Type	EAN	Description	For conductor mm ²
KE10.1	6418677400049	Branching connector	4 x (Al 10-35 / Cu 1.5-25)
KE10.3	6418677400063	Branching connector	6 x (Al 10-35 / Cu 1.5-25)
KE10.504	6418677400087	Branching connector	4 x (Al 10-50 / Cu 2.5-35)
KE10.504N	6418677455421	Branching connector for N-conductor	4 x (Al 10-50 / Cu 2.5-35)
KE10.506	6418677400094	Branching connector	6 x (Al 10-50 / Cu 2.5-35)



Branching connector kits

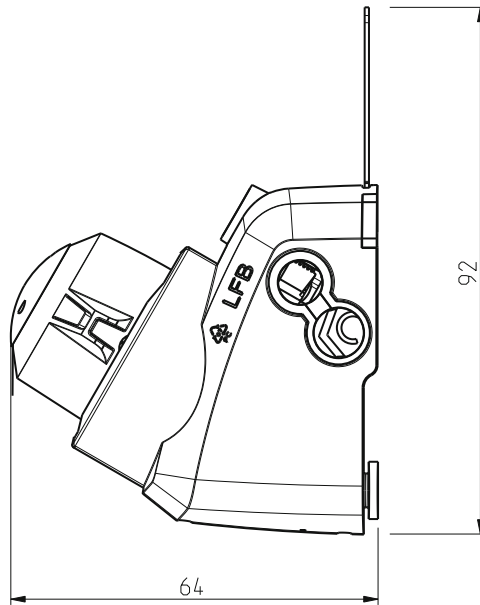
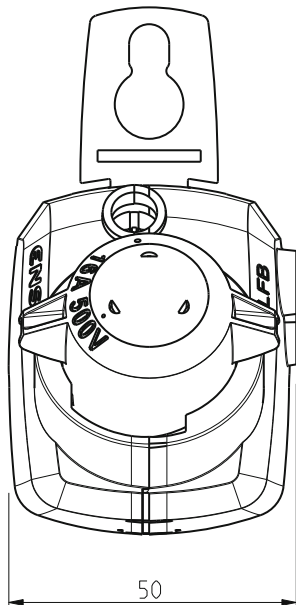
Type	EAN	Description	For conductor mm ²
SV15	6418677405624	3xKE10.1 and 1xKE10.3	4 x (Al 10-35 / Cu 1.5-25)
SV15.5	6418677405716	4xKE10.1 and 1xKE10.3	5 x (Al 10-35 / Cu 1.5-25)
SV50	6418677405808	3xKE10.504 and 1xKE10.506	4 x (Al 10-50 / Cu 2.5-35)



Pole cabinets

Type	EAN	Description	Dimension L X W X H mm
SK160	6418677403378	Pole cabinet	2000 x 105 x 100

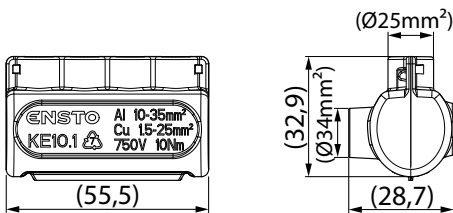
Technical illustrations



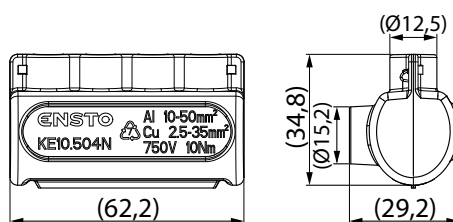
Dimensions

	New LFB16	Old SVV1
L	93 mm	108 mm
W	50 mm	44 mm
H	70 mm	84 mm

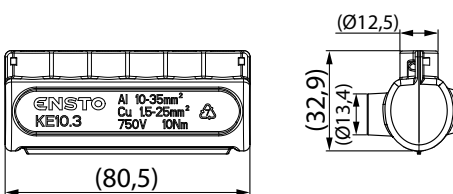
LFB16



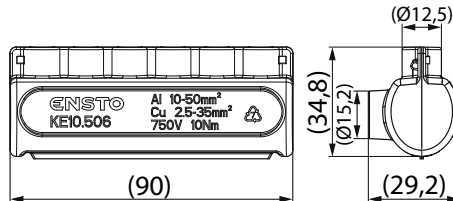
KE10.1



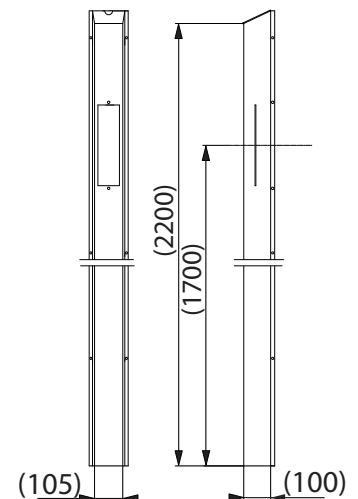
KE10.504(N)



KE10.3



KE10.506



SK160



Saves Your Energy

Ensto Finland Oy
 Ensio Miettisen katu 2, P.O. Box 77
 FIN-06101 Porvoo, Finland
 utility.networks@ensto.com
 www.ensto.com