



Saves Your Energy

SMJ & SML Connectors & Cable Lugs for Medium Voltage

Ensto Underground

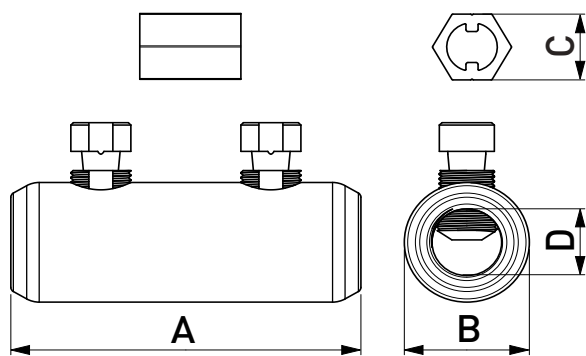


SMJ1.27, SMJ 2.47 and SMJ 3.47

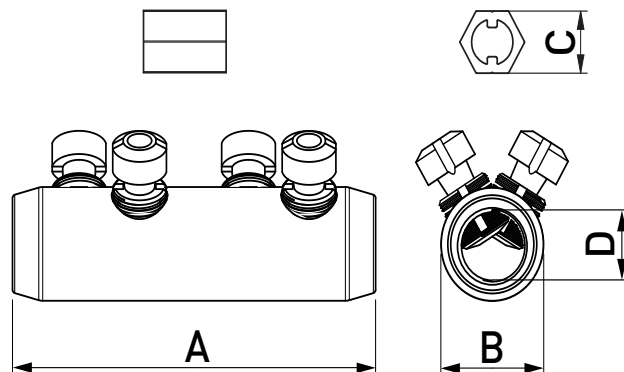
SMJ connectors are used for jointing conductors of cables up to 36 kV. They are suitable for solid or stranded copper or aluminium cables. The cable core insulation may be plastic or paper.

Thanks to the shear head bolt construction no crimping tools are needed, as the required torque is achieved by tightening the bolt until it breaks off. The aluminium adapter needed in tightening is included in the package.

The body of the connector is made of aluminium, the bolts are of tin-plated brass. SMJ connectors are watertight and they are approved according to IEC61238-1 standard.



SMJ1.27



SMJ2.47, SMJ3.47

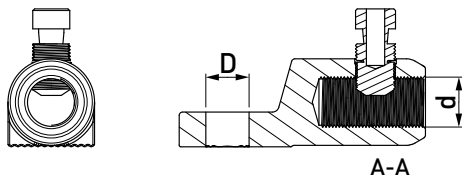
TYPE	EAN CODE	CONDUCTOR SIZE mm ²	A mm	B mm	D mm	WEIGHT g
SMJ1.27	6418677446153	10-95 Al/Cu	70	25	14	103
SMJ2.47	6418677446177	70-240 Al/Cu	120	34	20.5	309
SMJ3.47	6438100307981	120-300 Al/Cu	130	38	25,3	470

SML1.17, SML2.27 and SML3.27

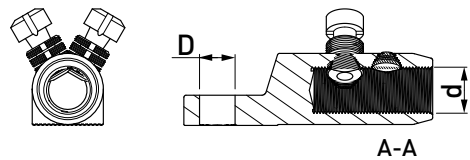
SML cable lugs are used for terminating conductors of cables up to 36 kV. They are suitable for solid or stranded copper or aluminium cables (sector shaped or circular). The cable core insulation may be plastic or paper.

Thanks to the shear head bolt construction no crimping tools are needed. The aluminium adapter needed in tightening is included in the package.

The body of the lug is made of aluminium. The bolts are of tin-plated brass. SML cable lugs are watertight and approved according to IEC61238-1 standard.



SML1.17



SML2.27, SML3.27

TYPE	EAN CODE	CONDUCTOR SIZE mm ²	A mm	B mm	C mm	D mm	d mm	WEIGHT g
SML1.17	6418677457555	10-95 Al/Cu	26	13	74	13	14	72
SML1.172	6438100307950	10-95 Al/Cu	26	13	74	17	14	70
SML2.27	6418677457562	70-240 Al/Cu	34	16	120	13	20	275
SML2.272	6418677434860	95-240 Al/Cu	34	16	120	17	20	275
SML3.27	6438100307967	120-300 Al/Cu	38	19	126	13	25,5	350
SML3.272	6438100307974	120-300 Al/Cu	38	19	126	17	25,5	345



Saves Your Energy

Ensto Finland Oy
Ensio Miettisen Katu 2
FIN-06101 Porvoo, Finland
utility.networks@ensto.com
www.ensto.com