

Room for technology

24 SC RANGE UNDERFLOOR OUTLET BOXES 2012 Innovations

Service

With the new range of underfloor outlet boxes, Gewiss meets the ever-increasing need for protection, connectivity and power take-off in the commercial sector, offering an extremely wide selection of equipment to suit every installation environment.

Integration

Making the best use of the compatibility with all the devices of the System domestic range, the boxes act as a point of distribution for the electrical system and data network.

Customisation

100% customisation freedom in terms of capacity (16 or 32 modules), external design finish (cover in stainless steel or completed with the finish of your choice), and internal equipment (power and data socket-outlets can also be combined, thanks to the dividers). To ensure even greater practicality, you can choose the cover opening direction.



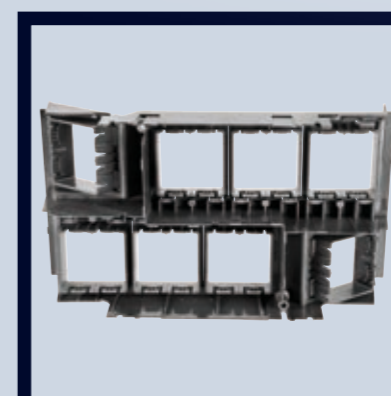
Range

Versions with 16 and 32 System modules, with a hollow cover (for inserting finishes such as linoleum, carpet, etc.) or stainless steel finish. Thanks to the metal casing, installation is also possible in cast flooring.



Internal structure

The boxes are equipped with bases for the horizontal laying of the self-supporting supports (2 modules) with snap-coupling. Each support can house the components of the System domestic range (black and white).



Easy to configure

Thanks to the dividers, each base has compartments for housing the power and data socket-outlets. The layout of the System supports is designed to optimise the cable outlet.



Cover

Equipped with a trafficable cover that can be easily removed with the aid of a tool. The cover can be assembled on either side, depending on the required opening direction. With retractable handles, making it easier to lift.



Fixing

Equipped with unlosable, floor-mounting fixing clamps and a self-positioning system that allow them to be quickly and safely positioned, and easily removed.



Cable outlet

To prevent the cables being crushed when the cover is closed, the two slots near the outlet allow the cables to be fixed with the ties supplied.

Application environments



Offices



Gyms



Theatres

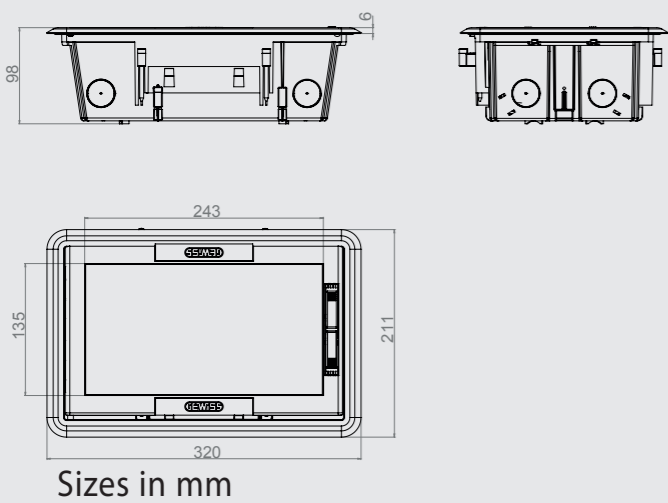
24 SC RANGE UNDERFLOOR OUTLET BOXES

16-MODULE UNDERFLOOR OUTLET BOXES					
	GW 24 606	With hollow cover	To be completed by inserting the same finish as used for the floor of the installation area	- 1 horizontal base - 8 self-supporting supports with 2 System modules	The supports are fixed to the base with a snap-coupling; the base has two screws for firmly blocking the box. The cover can be removed with the aid of a tool, and can be assembled on either side of the box. The cables leaving the boxes are fixed with cable guide ties (included), to prevent them being crushed when the cover is closed.
	GW 24 616	With stainless steel cover	The cover has a stainless steel design surface finish	- 4 cable glands ø 25mm - 2 cable guide ties	
METAL CASING					
	GW 24 621	Suitable for outlet boxes GW 24 606 GW 24 616	Equipped with cover and coupling flanges for conduits/channels	Suitable for the laying of outlet boxes in cast flooring	Pre-arranged for the earth connection

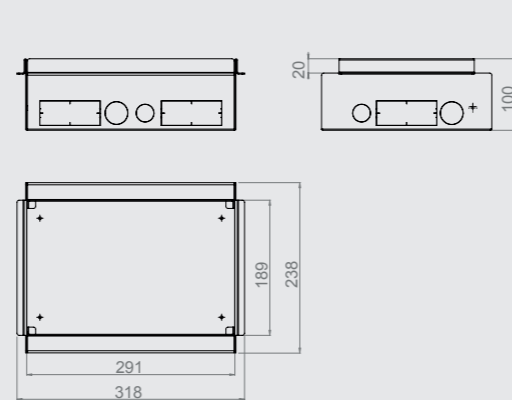
32-MODULE UNDERFLOOR OUTLET BOXES					
	GW 24 607	With hollow cover	To be completed by inserting the same finish as used for the floor of the installation area	- 2 horizontal bases - 16 self-supporting supports with 2 System modules	The supports are fixed to the bases with a snap-coupling; the bases have two screws for firmly blocking the box. The cover can be removed with the aid of a tool, and can be assembled on either side of the box. The cables leaving the boxes are fixed with cable guide ties (included), to prevent them being crushed when the cover is closed.
	GW 24 617	With stainless steel cover	The cover has a stainless steel design surface finish	- 8 cable glands ø 25mm - 2 cable guide ties	
METAL CASING					
	GW 24 622	Suitable for outlet boxes GW 24 607 GW 24 617	Equipped with cover and coupling flanges for conduits/channels	Suitable for the laying of outlet boxes in cast flooring	Pre-arranged for the earth connection

Dimensions

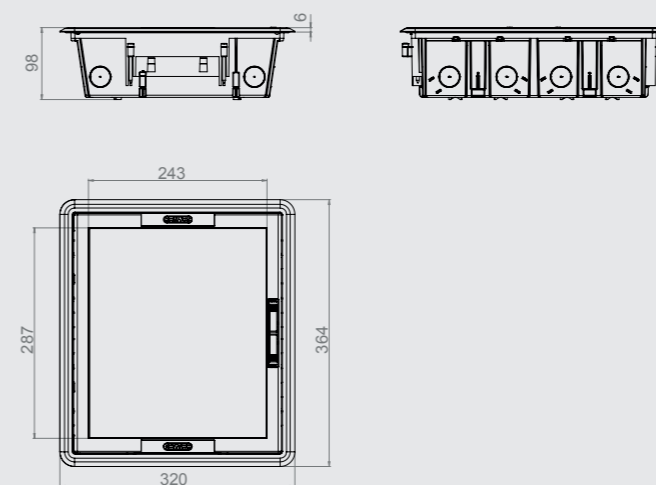
16-MODULE OUTLET BOX



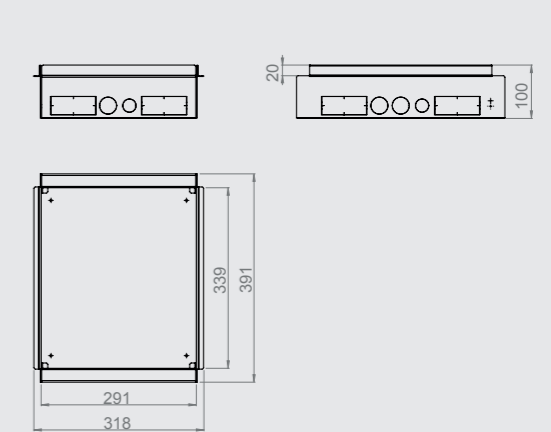
CASING



32-MODULE OUTLET BOX



CASING



Selection of System Range products

ITALIAN/GERMAN GW 20 205 2P+ E - 10/16A P30 250V AC GW 20 246 2P+ E - 10/16A 250V AC	GERMAN GW 20 265 2P+ E - 16A 250V	FRENCH GW 20 206 2P - 16A 250V AC GW 20 207 2P+ E - 16A 250V AC	BRITISH GW 20 208 2P+ E - 13A 250V AC GW 20 209 2P+ E - 16A 250V AC
AUSTRALIAN/ARGENTINIAN GW 20 357 GW 20 248 2P+ E - 10A 250V AC GW 20 356 2P+ E - 15A 250V AC	EURO-AMERICAN/USA GW 20 212 2P+ E - 10/15A 250/125V AC GW 20 214 2P+ E - 15A 125V AC GW 20 216 2P+ E - 15A 250V AC	ISRAELI GW 20 220 2P+ E - 16A 250V AC	PROTECTION DEVICES GW 20 423 Overvoltage limiter 75J - 250V AC GW 20 401 Fuse holder In = 16A
TELEPHONE SOCKET-OUTLETS GW 20 251 RJ11 GW 20 232 RJ12 GW 20 252 RJ11 double	DATA SOCKET-OUTLETS UTP GW 20 271 - RJ45 Cat. 5e GW 20 684 - RJ45 Cat. 6 FTP GW 20 243 RJ45 Cat. 5e UTP GW 20 685 RJ45 Cat. 6 FTP GW 20 686 RJ45 Cat. 6	ONE-WAY SWITCHES GW 20 585 2P - 25A - 250V AC GW 20 503 2P - 16AX - 250V AC	AUTOMATIC CIRCUIT BREAKERS Miniature circuit breakers Breaking capacity 3kA Limitation class 3 GW 20 431 - 6A GW 20 432 - 10A GW 20 433 - 16A 1P GW 20 434 - 6A GW 20 435 - 10A GW 20 436 - 16A 1P+N GW 20 454 - 6A GW 20 455 - 10A GW 20 456 - 16A 1P+N - Red Residual current circuit breakers with overcurrent protection Breaking capacity 3kA Limitation class 3 GW 20 448 - 6A GW 20 449 - 10A GW 20 450 - 16A 1P+N - In = 30mA

Selection of components from the SYSTEM domestic range, in white or black.
For the full range, refer to the catalogue or visit our website - www.gewiss.com