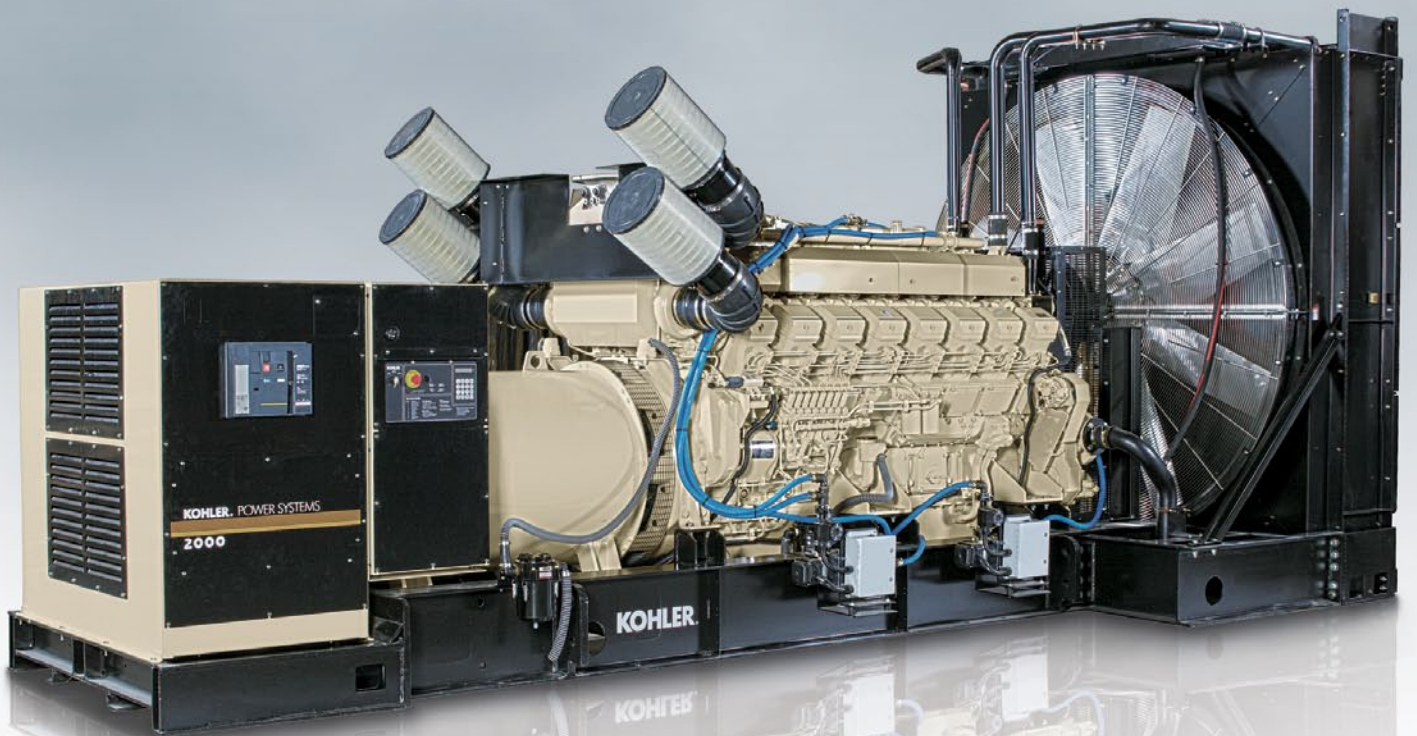


**KOHLER**.POWER SYSTEMS

# INDUSTRIAL POWER



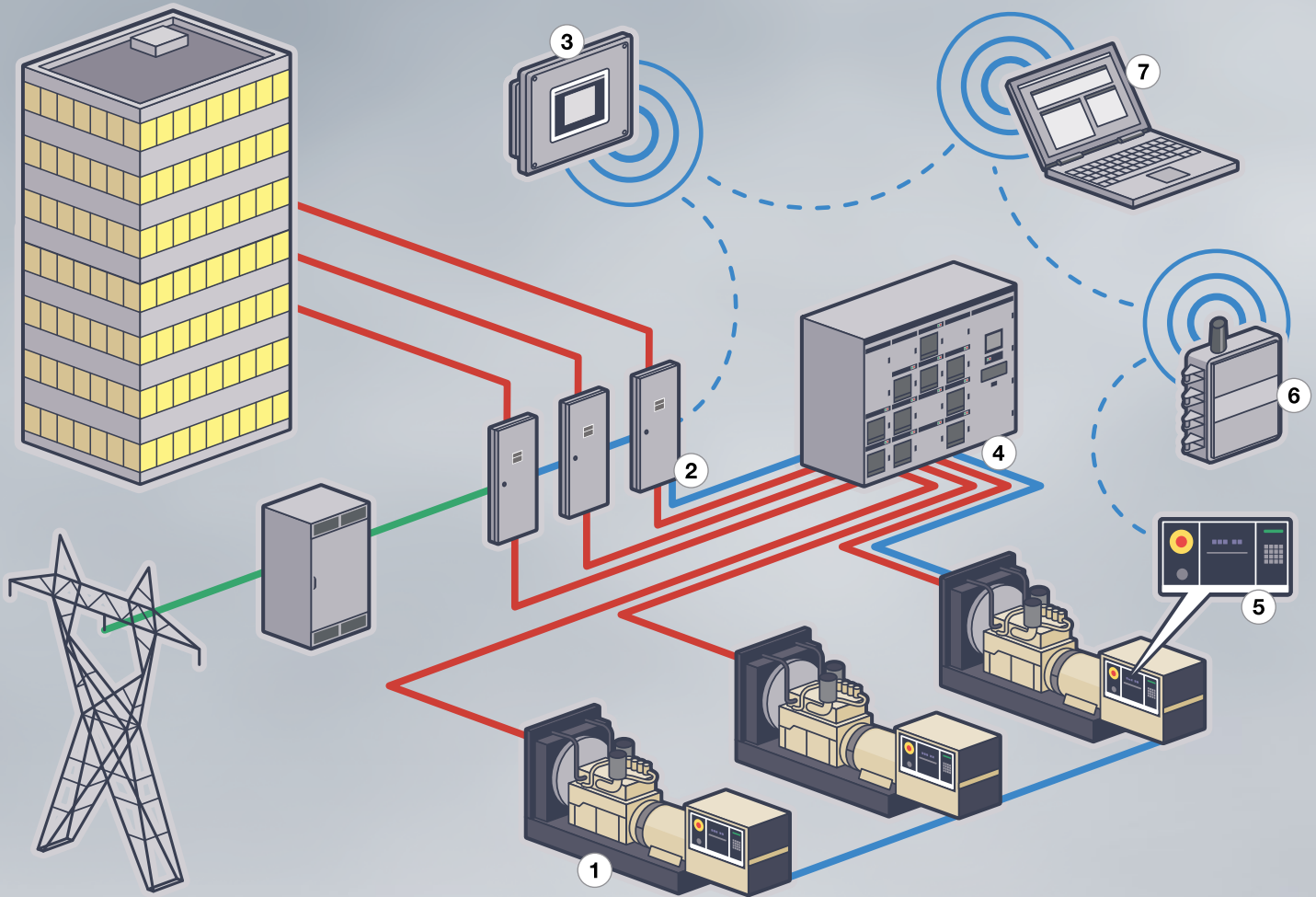
**TOTAL SYSTEM INTEGRATION**

GENERATORS | TRANSFER SWITCHES | SWITCHGEAR | CONTROLS

**TOTAL SYSTEM INTEGRATION  
EVERYTHING WORKS TOGETHER.  
NO IFS, ANDS OR BUTS.**

Look, a power system is only as good as the parts that define it. That's why we engineer every detail down to the last bolt. This isn't your typical power system. It's a KOHLER® industrial power system – which means it's loaded with designed and manufactured components from Kohler including generators, transfer switches, switchgear, controllers and more. But the best part? We customize each power system to your specs.

**Specifying has never been easier.**



**1 KOHLER® GENERATOR**

10-3250 kW diesel and 25-400 kW gas

**2 TRANSFER SWITCH**

Open, closed, programmed transition, bypass and service entrance

**3 REMOTE ANNUNCIATOR**

Monitors and tests your generator set and ATS from a remote location

**4 PD-SERIES SWITCHGEAR**

Parallels multiple generators to each other or to the utility

**5 DECISION-MAKER® CONTROLLERS**

KOHLER controls and diagnostics ensure reliable on-site power

**6 WIRELESS MONITOR**

Monitors your system's performance around the clock

**7 KOHLER MONITOR SOFTWARE**

Provides monitoring and adjustment of generator and ATS equipment



**KOHLER POWER SYSTEMS**

- 1 Headquarters and Manufacturing – Kohler, WI
- 2 Headquarters EMEA
- 3 Headquarters Asia Pacific and Manufacturing – Singapore
- 4 Manufacturing Facility – India
- 5 Manufacturing Facility – China
- Sales Offices, Dealers and Distributors

**SDMO (Kohler-Owned)**

- 6 Headquarters and Three Manufacturing Facilities – France
- 7 Manufacturing Facility – Brazil
- Sales Offices, Dealers, and Distributors

# DEPENDABLE POWER AND PERFORMANCE TESTED, TRIED AND PROVEN TO WORK. PERIOD.

Our reputation was born 90 years ago in the South Pole. There in the world’s most brutal climate, Admiral Richard Byrd and his band of explorers plunged headlong into arctic temperatures with nothing but KOHLER® generators to power their conquest. Since then, our generators have made their presence known worldwide, powering every application including education and healthcare to data centers and waste water treatment.

Bottom line, KOHLER industrial power systems are built to work. Before our systems see the light of day, they endure the industry’s tough testing standards – including power, transient, sound, cooling and complete system performance.

**When the world goes haywire, you’ll be ready.**



## SERVICE AND SUPPORT THE HELP YOU NEED. ANY TIME, ANYWHERE.

You're never too far from Kohler. Across the world, more than 800 locations are ready to provide sales, installation and aftermarket support services. And each one offers expertise in power specifications, equipment and integration. There's no question they can't answer. We should know, we trained them ourselves.

Plus, if you ever need assistance in the middle of the night, we'll take care of you. KOHLER Power professionals are available to offer troubleshooting, advice, service and support.

# GAS GENERATORS

SURVIVAL GEAR FOR THE WORST-CASE SCENARIOS.

25-400 kW

Come what may, KOHLER® gas generators will get you through – no questions asked. Perfect for applications ranging from light commercial to heavy industrial, our LP and natural gas generators are available in a wide range of power outputs – from 25 to 400 kW – and can be specified any way you want.

Better still, every size KOHLER gas generator is available EPA certified which saves you big dollars on site certification. Not only that, these generators are capable of tying into your natural gas utility or LP supply. So you'll never have to think about fuel again.

## STANDARD FEATURES

### TESTED AND APPROVED

KOHLER generators meet tough industry testing and quality standards (UL, CSA, IBC, NFPA).

### ONE-STEP FULL-LOAD ACCEPTANCE

Our gas generators accept full load to keep you up and running.

### ULTIMATE PERFORMANCE

Our 1800-rpm engines run quietly, offer extended life and provide great fuel efficiency.

### EMISSION-CERTIFIED GENERATORS

Every size KOHLER gas generator is available EPA-certified, ECM-controlled and designed to meet the latest spark-ignited emission requirements.

### 1 EMISSION-CERTIFIED

Three-way catalyst reduces nitrogen oxides, carbon monoxide and hydrocarbon emissions

### 2 FUEL SYSTEMS

Available with natural gas, LP, single or dual fuel and liquid withdrawal systems

### 3 HIGH-AMBIENT COOLING

Designed to meet your extreme operating conditions

### 4 KOHLER PMG ALTERNATORS

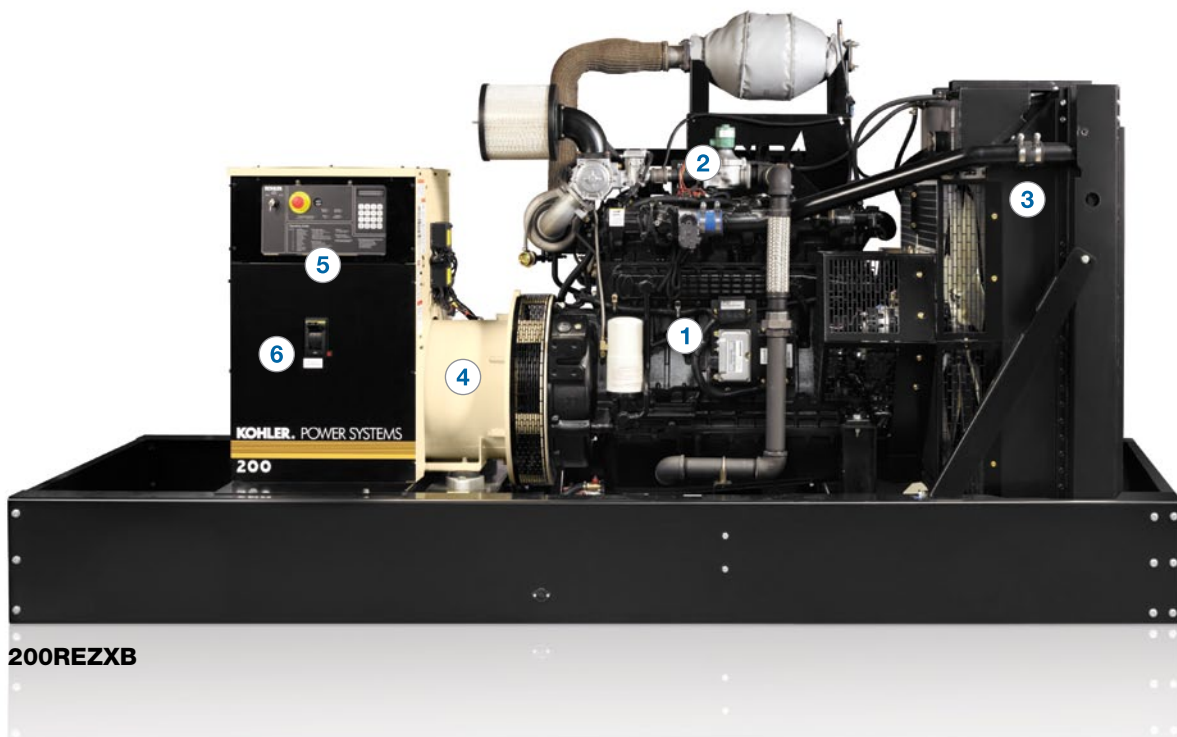
Provide advanced short circuit capability and meet NEMA MG 1, IEEE and ANSI standards

### 5 KOHLER DECISION-MAKER® CONTROLS

Available with a variety of controls – basic, advanced, paralleling

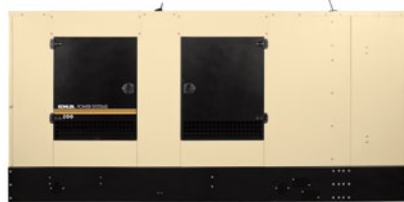
### 6 OPTIONS AND ACCESSORIES

Improved motor-starting alternators, multiple circuit breakers, enclosures, block heaters and more





**25REZG**



**200REZX**



**125REZGB**

MODEL	NG STANDBY 60 Hz (kW/kVA)	LP STANDBY 60 Hz (kW/kVA)	NG PRIME 60 Hz (kW/kVA)	RPM	Engine Manufacturer	Emissions
25REZG	25/31	25/31	-	1800	GM	EPA-certified
30REZG	30/38	30/38	-	1800	GM	EPA-certified
40REZG	39/49	40/50	-	1800	GM	EPA-certified
45REZG	42/53	45/56	-	1800	GM	EPA-certified
50REZGB	53/66	55/69	-	1800	GM	EPA-certified
60REZGB	60/75	64/80	-	1800	GM	EPA-certified
80REZGD	80/100	-	-	1800	GM	EPA-certified
100REZGD	100/125	81/101	-	1800	GM	EPA-certified
125REZGB	128/160	113/141	-	1800	GM	EPA-certified
150REZGB	150/188	-	-	1800	GM	EPA-certified
180REZXB	190/238	130/163	164/205	1800	Doosan	EPA-certified
180RZXB	190/238	130/163	164/205	1800	Doosan	-
200REZXB	200/250	130/163	175/219	1800	Doosan	EPA-certified
200RZXB	200/250	130/163	174/219	1800	Doosan	-
250REZXB	260/325	170/213	235/294	1800	Doosan	EPA-certified
250RZXB	260/325	175/219	235/294	1800	Doosan	-
300REZXB	300/375	210/263	270/338	1800	Doosan	EPA-certified
300RZXB	300/375	210/263	270/338	1800	Doosan	-
350REZXB	355/444	240/300	300/375	1800	Doosan	EPA-certified
350RZXB	355/444	240/300	300/375	1800	Doosan	-
400REZXB	400/500	260/325	360/450	1800	Doosan	EPA-certified
400RZXB	400/500	260/325	360/450	1800	Doosan	-

1) Stationary emergency ratings based on 3-phase, 480 V

2) 50 Hz non-emissions models are also available. Please contact the factory

3) Single-phase ratings also available

For additional technical specifications, visit [KohlerPower.com](http://KohlerPower.com)

# DIESEL GENERATORS

BRED FOR THE TOUGHEST JOBS ON EARTH.

10-3250 kW

These generators are tough as nails and made to power all of your applications (simple to complex), including healthcare, gas stations, data centers, airports and more. KOHLER® diesel generators come loaded with power and are available in a range of sizes up to 3250 kW.

Of course the diesel generators we make are available EPA-certified. And you can customize them any way you like with a variety of accessories.

## STANDARD FEATURES

### TESTED AND APPROVED

KOHLER generators meet tough industry testing and quality standards (UL, CSA, IBC, NFPA).

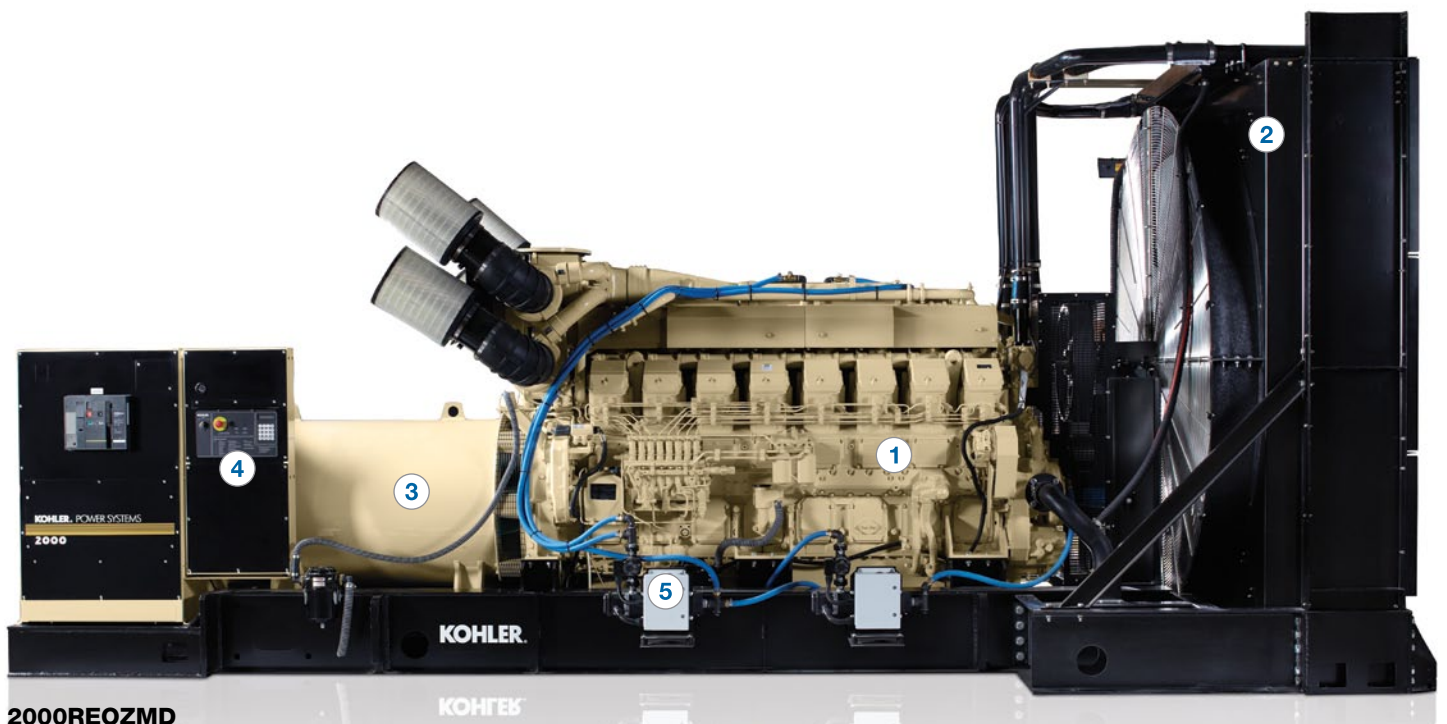
### RAPID RESPONSE

Our generators power up in 10 seconds or less and deliver quality power during voltage and frequency changes.

### EASY INSTALLATION

Our quickest install ever – large stub-up areas; easy access to fuel, load and exhaust locations.

- 1 EMISSION-CERTIFIED**  
EPA-certified, industrial-grade engines meet the latest emissions requirements
- 2 HIGH-AMBIENT COOLING**  
Designed to meet your extreme operating conditions
- 3 KOHLER PMG ALTERNATORS**  
Provide advanced short circuit capability and meet NEMA MG 1, IEEE and ANSI standards
- 4 KOHLER DECISION-MAKER® CONTROLS**  
Available with a variety of controls – basic, advanced and paralleling
- 5 OPTIONS AND ACCESSORIES**  
Improved motor-starting alternators, heavy-duty air cleaners, enclosures, fuel tanks, block heaters, multiple circuit breakers and more



2000REOZMD

KOHLER





**30REOZJC**



**500REOZJ**



**3250REOZD**

MODEL	STANDBY 60 Hz (kW/kVA)	PRIME 60 Hz (kW/kVA)	RPM	Engine Manufacturer	EPA Emissions
10REOZDC	10/12.5	9/11.3	1800	Yanmar	Tier 4
15REOZDC	15/18.8	13.5/16.9	1800	Yanmar	Tier 4
20REOZDC	20/25	18/22.5	1800	Yanmar	Tier 4i
20REOZJC	27/34	24/30	1800	John Deere	Tier 4i
30REOZJC	30/38	26/33	1800	John Deere	Tier 4i
40REOZJC	40/50	38/48	1800	John Deere	Tier 3
50REOZJD	51/64	47/59	1800	John Deere	Tier 3
60REOZJD	62/78	56/70	1800	John Deere	Tier 3
80REOZJF	83/104	76/95	1800	John Deere	Tier 3
100REOZJF	102/128	92/115	1800	John Deere	Tier 3
125REOZJG	128/160	116/145	1800	John Deere	Tier 3
150REOZJF	154/193	140/175	1800	John Deere	Tier 3
180REOZJF	180/225	169/211	1800	John Deere	Tier 3
200REOZJF	200/250	180/225	1800	John Deere	Tier 3
230REOZJE	230/288	205/256	1800	John Deere	Tier 3
250REOZJE	255/319	230/288	1800	John Deere	Tier 3
275REOZJE	280/350	255/319	1800	John Deere	Tier 3
300REOZJ	300/375	-	1800	John Deere	Tier 3
350REOZJ	350/438	320/400	1800	John Deere	Tier 3
400REOZJ	400/500	365/456	1800	John Deere	Tier 3
500REOZJ	500/625	-	1800	John Deere	Tier 2
500REOZVC	515/644	460/575	1800	Volvo	Tier 2
550REOZVB	550/688	500/625	1800	Volvo	Tier 2
600REOZVB	600/750	555/694	1800	Volvo	Tier 2

MODEL	STANDBY 60 Hz (kW/kVA)	PRIME 60 Hz (kW/kVA)	RPM	Engine Manufacturer	EPA Emissions
700REOZDE	700/785	630/788	1800	MTU	Tier 2
800REOZDE	800/1000	725/906	1800	MTU	Tier 2
900REOZDE	910/1136	830/1038	1800	MTU	Tier 2
1000REOZDE	1000/1250	910/1138	1800	MTU	Tier 2
1250REOZDD	1300/1625	1180/1475	1800	MTU	Tier 2
1250ROZMC	1280/1600	1160/1450	1800	Mitsubishi	-
1250REOZMD	1280/1600	1160/1450	1800	Mitsubishi	Tier 2
1500REOZDD	1560/1950	1400/1750	1800	MTU	Tier 2
1600ROZMC	1600/2000	1450/1813	1800	Mitsubishi	-
1600REOZMD	1600/2000	1450/1813	1800	Mitsubishi	Tier 2
1750REOZDC	1760/2200	1600/2000	1800	MTU	Tier 2
1750REOZMD	1780/2225	1620/2025	1800	Mitsubishi	Tier 2
1820ROZMC	1830/2288	1660/2075	1800	Mitsubishi	-
2000REOZDD	2060/2575	1850/2313	1800	MTU	Tier 2
2000ROZMC	2000/2500	1820/2275	1800	Mitsubishi	-
2000REOZMD	2000/2500	1820/2275	1800	Mitsubishi	Tier 2
2250REOZDD	2250/2813	2050/2563	1800	MTU	Tier 2
2500REOZDB	2500/3125	2270/2838	1800	MTU	Tier 2
2800REOZDB	2800/3500	2540/3175	1800	MTU	Tier 2
3000REOZD	3000/3500	2800/3500	1800	MTU	Tier 2
3250REOZD	3250/3500	2800/3500	1800	MTU	Tier 2

1) Stationary emergency ratings based on 3-phase, 480 V

2) 50 Hz non-emissions models are also available. Please contact the factory

3) Single-phase ratings also available

For additional technical specifications, visit [KohlerPower.com](http://KohlerPower.com)

# KOHLER® FAST-RESPONSE® ALTERNATORS

ALL THE BELLS AND WHISTLES. AT NO EXTRA CHARGE.

More than 90 years ago, Kohler unleashed its first alternator – and we’ve been raising the bar ever since. Today we’re proud to manufacture KOHLER Fast-Response Permanent Magnet Generator (PMG) alternators – a breakthrough in speed technology. Built to perform, these revolutionary alternators offer fast response to load changes.

On some other gensets, PMG alternators come as a costly upgrade. Not so with Kohler. All of our 35 – 300 kW units are factory-equipped with our Fast-Response PMG alternators. Which means you get all the bells and whistles with no expensive upcharge.

## STANDARD FEATURES

### TRUSTED RELIABILITY

Greaseless bearing and Class H insulation provide extra thermal protection for lasting reliability.

### ULTIMATE PERFORMANCE

High-power density design makes Kohler an industry leader in motor-starting capability.

### TESTED AND APPROVED

Our alternators meet NEMA MG 1, IEEE and ANSI standards for temperature rise and motor-starting capability.

### CLEAN POWER

Experience the rewards of clean power with precise voltage, current and frequency control.

### DURABLE SHORT-CIRCUIT RATINGS

The very definition of performance. Our alternators sustain short-circuit currents up to 300% of the rated current – for up to 10 seconds.

### 1 BRUSHLESS ALTERNATOR

Features brushless exciter for fast load response

### 2 RECONNECTABLE LEADS

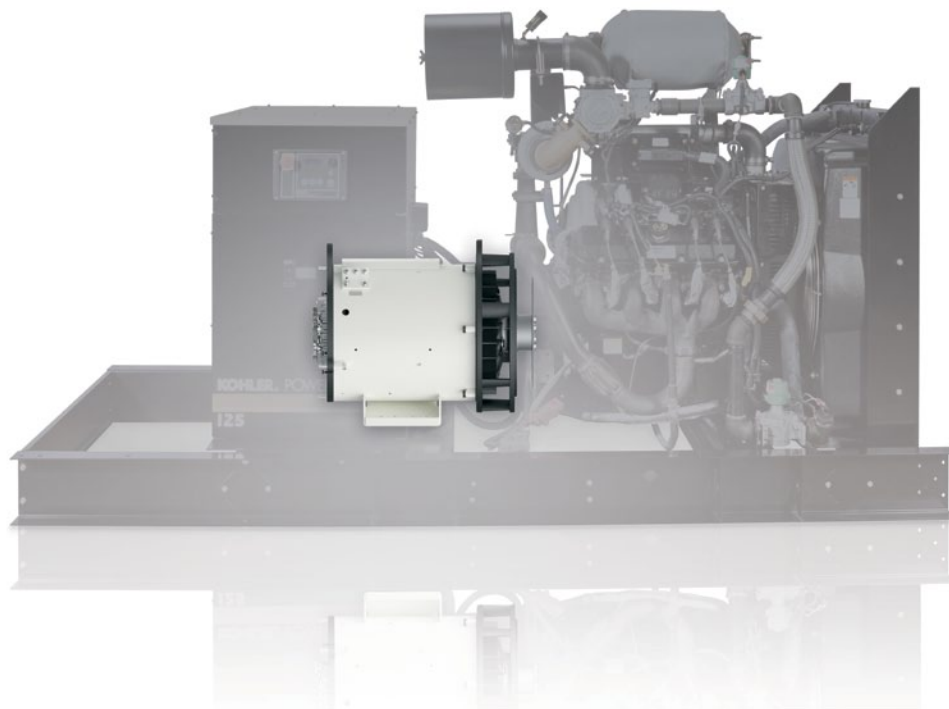
Designed with 4-lead dedicated voltages and 12-lead optional voltage connections

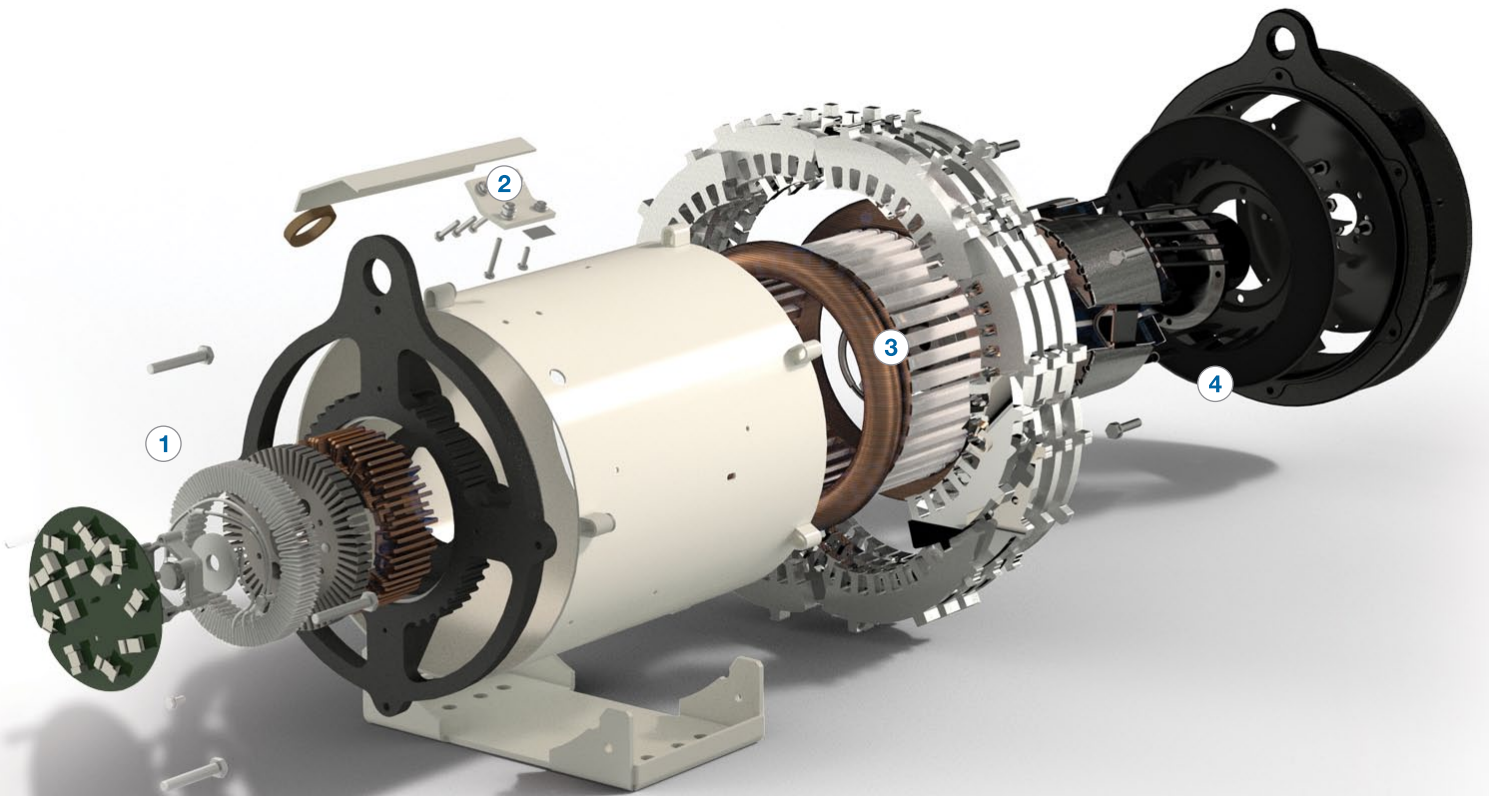
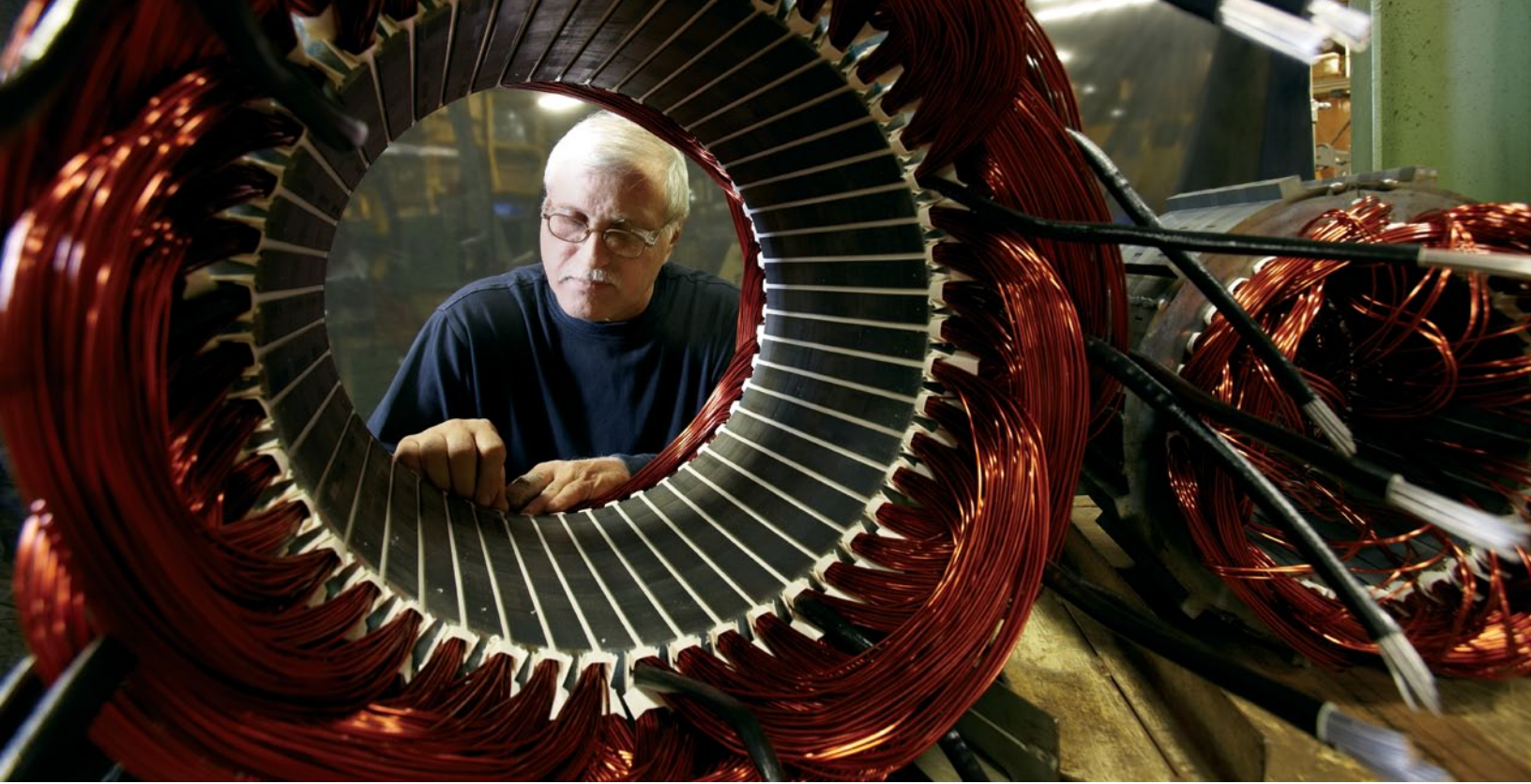
### 3 VACUUM-IMPREGNATED WINDINGS

Fungus-resistant epoxy varnish ensures reliability in tough environments

### 4 ROTOR

Two-thirds pitch stator and skewed rotor deliver clean power and superior voltage waveform





# KOHLER® DECISION-MAKER® CONTROLS

TECHNOLOGY SO ADVANCED, IT'S EASY.

At Kohler, we don't do one size fits all. With our Decision-Maker controls, we design custom packages, tailored to your needs – from basic controls to multiple generator paralleling.

Plus, Kohler makes each controller easy to operate with user-friendly displays and keypad functions. And if that weren't enough, our complete line of Decision-Maker controllers features advanced network communications for remote monitoring as well as adjustable parameters to accommodate your specific application.

## STANDARD FEATURES

### TESTED AND APPROVED

Our controls meet NFPA, UL and CE standards.

### INTEGRAL VOLTAGE REGULATOR

KOHLER controls deliver precise voltage regulation (.05%–0.25%) to protect your sensitive equipment from poor power quality.

### SEAMLESS SYSTEM INTEGRATION

Every controller works with our automatic transfer switches and switchgear for complete system integration.

### ALTERNATOR PROTECTION

This must-have technology protects the alternator from thermal overload.

## REMOTE COMMUNICATIONS

### MONITOR SOFTWARE

Monitors and controls generator sets and transfer switches from your personal computer.

### POWERSCAN™

Provides system monitoring around the clock using wireless technology to send messages to your phone, fax and email.

### REMOTE ANNUNCIATOR

Offers an economical solution for remote annunciation of faults and status conditions for NFPA-110 compliance.

- 1 **EMERGENCY STOP BUTTON**  
Turns off generator immediately
- 2 **CONTROL BUTTONS**  
Control synchronizing breakers and generator operation (Off/Auto/Run)
- 3 **STATUS INDICATORS**  
Display generator mode, breaker and synchronization status
- 4 **DIGITAL ALPHA/NUMERIC DISPLAY**  
Displays faults, warnings, codes and metering
- 5 **KEY SWITCH**  
Secures your program settings
- 6 **PUSH-BUTTON KEYPAD**  
Sets custom parameters, displays menus, resets faults and more



RSA



DECISION-MAKER 6000



MODEL	Decision-Maker 3000	Decision-Maker 550	Decision-Maker 6000
<b>GENERAL</b>	<i>Basic</i>	<i>Advanced</i>	<i>Paralleling</i>
Integral voltage regulator	X	X	X
Digital 3-phase sensing voltage regulator	X	X	X
Integral alternator thermal overload protection	X	X	X
Engine diagnostics	X	X	X
Engine starting aid	X	X	X
Cyclic cranking	X	X	X
Event and data logging	X	X	X
Programming access via laptop	X	X	X
Time delay engine start and cool down	X	X	X
Key switch	-	X	X
<b>USER INTERFACE</b>			
Alphanumeric digital display	X	X	X
Emergency stop (local and remote)	X	X	X
Auto/remote start	X	X	X
Start/stop and fault reset	X	X	X
Fault messaging and lamp	X	X	X
Alarm silence and test lamp	X	X	X
Exercise function	-	X	X
Digital or analog inputs and outputs	X/O	X	X
<b>ENGINE STATUS AND CONDITION</b>			
Oil pressure/temperature	X	X	X
Coolant temperature	X	X	X
Engine speed	X	X	X
Number of starts	X	X	X
Battery voltage	X	X	X
<b>ALTERNATOR STATUS AND CONDITION</b>			
Voltage, L-L and L-N for all phases	X	X	X
Current/frequency for all phases	X	X	X
Total kW/kVA and KVAR	X	X	X
kWh	X	X	X
Power factor	-	X	X
Per phase kW/kVA and KVAR	-	X	X



MODEL	Decision-Maker 3000	Decision-Maker 550	Decision-Maker 6000
<b>ENGINE PROTECTION – SHUTDOWN/INDICATION</b>	<i>Basic</i>	<i>Advanced</i>	<i>Paralleling</i>
High engine coolant temperature	X	X	X
Low coolant level	X	X	X
Low oil pressure	X	X	X
Overcrank	X	X	X
High/low/weak battery voltage	X	X	X
High/low fuel level	X	X	X
Overspeed	X	X	X
Low fuel	X	X	X
<b>ALTERNATOR PROTECTION – SHUTDOWN/INDICATION</b>			
Over- and under-voltage/frequency	X	X	X
Overcurrent	X	X	X
Locked rotor	X	X	X
Reverse power/var	-	X	X
<b>PARALLELING</b>			
Synchronizer	-	-	X
Real and reactive load sharing	-	-	X
First on logic	-	-	X
Circuit breaker control	-	-	X
Base load control	-	-	X
Var/power factor control	-	-	X
<b>COMMUNICATIONS</b>			
Local and remote area network capability	X	X	X
Monitoring software	O	O	O
<b>CODES AND STANDARDS</b>			
NFPA-110, Level 1	X	X	X
UL 508 / UL 2200-certified	X	X	X
CE-compliant	X	X	X

<b>KEY</b>	
Standard	X
Option	O
Not Available	-

# DECISION-MAKER® PARALLELING SYSTEM

TOTAL INTEGRATION. FROM TOP TO BOTTOM.

When it comes to paralleling systems, Kohler offers 100% integration. Our Decision-Maker Paralleling System (DPS) is designed, engineered and factory-tested as a complete system, not built from parts from multiple manufacturers like some competitive products.

Comprised of KOHLER® generators, controls and switchboards, DPS delivers dependable power across multiple applications.

## STANDARD FEATURES

### REDUNDANT BACKUP POWER

Total and complete protection. If one genset needs servicing, the DPS makes power available to your most critical loads.

### EASY EXPANSION

Purchase a system that fits your budget today. And, in the future, we'll expand on your DPS instead of completely replacing it.

### OPERATIONAL SAVINGS

Saving has never been easier. The DPS automatically turns off generators when your needs are low.

### FAST LEAD TIMES

Our DPS is a standard product, no customization necessary. So you'll get it faster than custom paralleling systems.

### OPTIONAL FUEL TYPES

Mix and match any fuel you want. Available for use with diesel, natural gas and LP fuel types in the same system.

### 1 KOHLER DECISION-MAKER 6000 CONTROLLER

Enables load sharing and synchronization for up to eight generator sets in the KOHLER DPS

### 2 MASTER CONTROL PANEL

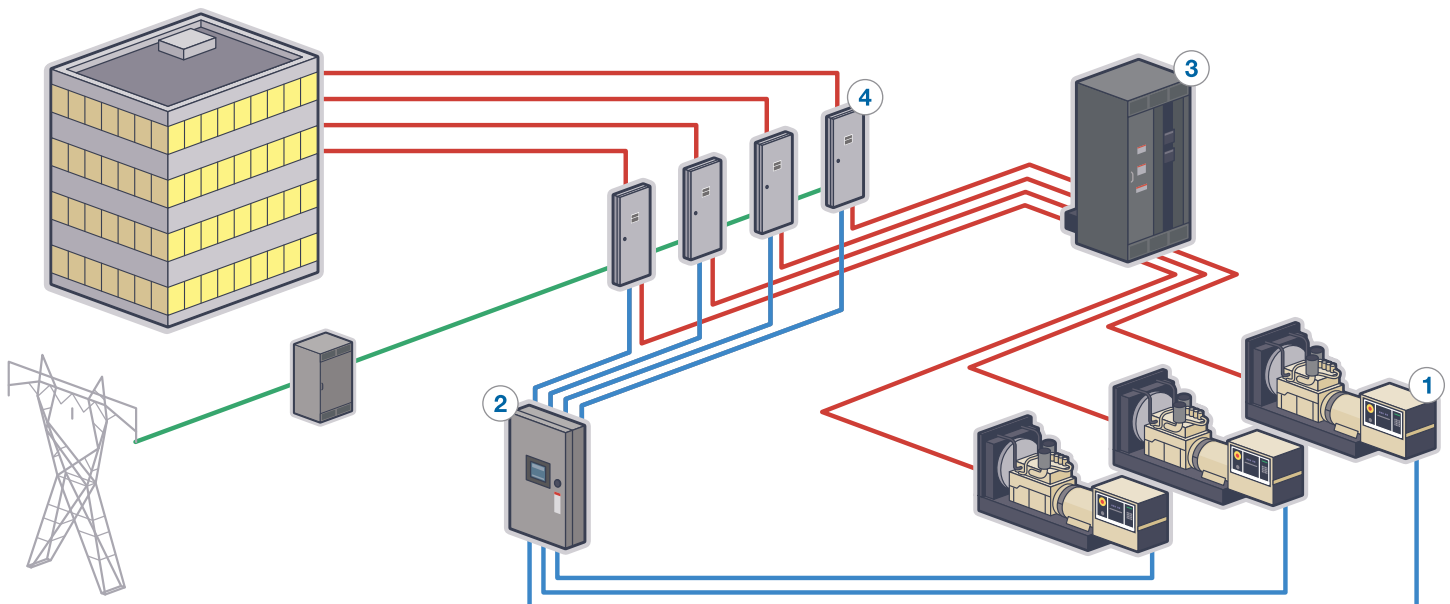
Handles load add/shed, number of gensets online, monitors event logging and alarms

### 3 POWER DISTRIBUTION SWITCHBOARD

Accommodates paralleling and distribution breakers

### 4 AUTOMATIC TRANSFER SWITCH

Intelligently selects the power source and transfers loads



# SUB-BASE FUEL TANKS

BUILT TO MATCH YOUR ENVIRONMENTAL NEEDS.

If it's environmental protection you want, you're in the right place. KOHLER® tanks feature two containment walls to keep your fuel where it should be – inside. Plus, they're coated with Power Armor Plus™ (a textured epoxy-based, rubberized finish) for heavy-duty durability.

## STANDARD FEATURES

### ENVIRONMENTAL PROTECTION

Our tanks are UL-approved secondary containment tanks and can be configured to meet cUL, IBC and other required codes.

### MULTIPLE RUN TIMES

Usable tank capacities provide 12 to 72 hours of operation.

### CUSTOM OPTIONS

Choose from alarm panels, spill-fill containments, high-fuel switches, tank markings and more.

### EXCELLENT PROTECTION

Our new Power Armor Plus – polyurea textured coating eliminates the need for exterior epoxy treatment and provides excellent abrasion resistance and corrosion protection.

### 1 STATE TANK OPTIONS

Spill-fill containments, three-alarm panel, fuel basin switch and tank markings

### 2 EMERGENCY PRESSURE RELIEF VENTS

Ensure proper venting of inner and outer tank during extreme conditions

### 3 NORMAL VENT WITH CAP

Raised above the lockable fuel fill cap

### 4 ELECTRICAL STUB-UP

Features large stub-up area for easy installation

### 5 LEAK DETECTION SWITCH

Annunciates a contained primary tank fuel leak at generator control

### 6 FUEL SWITCH

Interfaces with controller to provide fuel level indication



# ENCLOSURES

REDUCE THE RACKET. AND PUT MOTHER NATURE IN HER PLACE.

If you want to keep the weather out and the noise in, there's really only one way to go. KOHLER® enclosures are bolstered by industrial steel or heavy-duty aluminum and acoustic insulation to protect your investment and keep the noise down. In addition, we coat every unit with Power Armor™ (a textured industrial finish) for heavy-duty durability in harsh conditions.

UL 2200 and IBC-certified packages are available.

## STANDARD FEATURES

### CUSTOM OPTIONS

Multiple weather/sound enclosure options are available on 10 to 3250 kW generators.

### QUIET PERFORMANCE

Our enclosures offer acoustic insulation to meet your quiet applications.

### CERTIFIED PACKAGES

Enclosures are UL2200-tested and approved, IBC-certified and meet 150-mph wind rating.

### ADVANCED CORROSION PROTECTION

Power Armor is a textured automotive-grade finish that surpasses a 2,500 hour salt spray exposure test.

- 1 ADVANCED DOOR SYSTEM**  
Hinged doors, door handles and door holders provide security, protection and easy access for service
- 2 SERVICE ACCESS**  
Multiple personnel doors and removable panels offer easy access to generator control, fuel fill, fuel gauge, oil fill and battery
- 3 INTERNAL EXHAUST SYSTEM**  
Features insulated exhaust silencer for improved aesthetics, safety and noise reduction
- 4 OIL AND RADIATOR DRAINS**  
Provide an easier, quicker way to service your generator
- 5 AVAILABLE ACCESSORIES**  
Electrical packages, lighting, heaters, motorized louvers, stairs and more







**80REZGD**



**2000REOZMD**

**Sound Levels**

KW	Engine Manufacturer	Weather Enclosure dBA	Sound Enclosure dBA
10-20 kW	Yanmar	77	68
25-150 kW	GM	77-88	69-74
20-300 kW	John Deere	80-94	68-75
350-500 kW	John Deere	90-94	73-75
500-600 kW	Volvo	94-95	75
700-1000 kW	MTU	93-98	75
1250-3250 kW	MTU/Mitsubishi	95-101	75-85

Sound level full load dBA @ 23 Feet

# AUTOMATIC TRANSFER SWITCHES

FORGET THE FORECAST. WE HAVE YOU COVERED.

Bridging the gap between loss of utility and standby power is no small task, which is why KOHLER® automatic transfer switches are essential to KOHLER power systems.

Kohler's latest generation of transfer switches – featuring MPAC® controllers – are loaded with technology to ensure transfer of power from the utility to the generator and back. When the grid fails, power is transferred to the standby system. And then it's back to business as usual.

## STANDARD FEATURES

### MULTIPLE APPLICATIONS

Find the perfect option. Our transfer switches are available in standard, bypass and service entrance configurations with open, programmed and closed transition operating modes, 30-4000 amps.

### SEAMLESS SYSTEM INTEGRATION

Sit back and relax. Our transfer switches easily interface with KOHLER Decision-Maker® controllers.

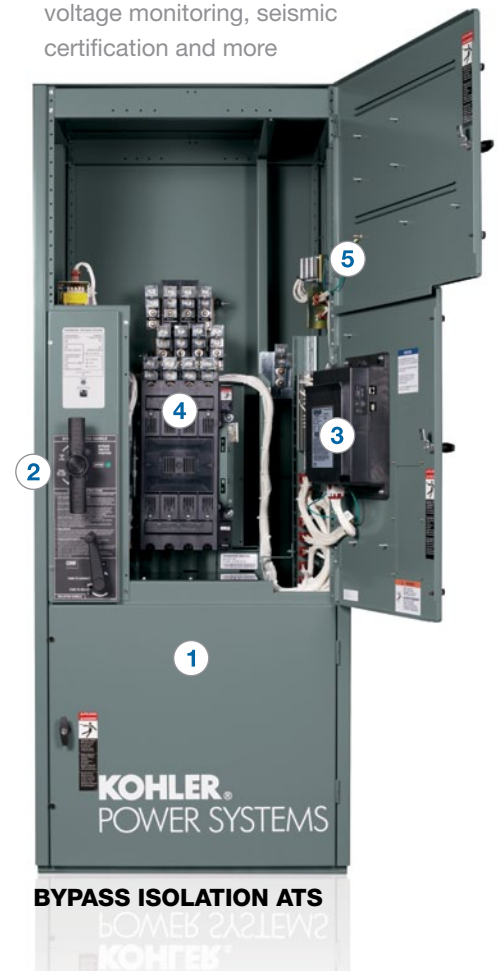
### ADVANCED COMMUNICATIONS

Each ATS comes loaded with technology. Ethernet and Modbus communications capabilities are standard.

### CERTIFIED PACKAGES

Available packages are UL-listed, CSA- and IBC-certified.

- 1 CERTIFIED ENCLOSURES**  
Meet NEMA Type 1, 3R, 12 and 4X enclosure standards
- 2 BYPASS OPERATION**  
Eliminates interruption to the loads during maintenance
- 3 MPAC DIGITAL CONTROLLER**  
Provides a full array of features including communications, I/O, load management and other advanced functionality
- 4 HEAVY-DUTY CONTACTOR**  
Choose from any breaker, specific breaker and current limiting fuse rated mechanisms
- 5 AVAILABLE ACCESSORIES**  
Anti-condensation heater, voltage surge suppressor, line-to-neutral voltage monitoring, seismic certification and more





**MPAC® 500**



**MPAC 1000**



**MPAC 1500**

## KOHLER PRODUCT SERIES

### Comparison Features

<b>Intended application</b>	Light commercial	Commercial, Light industrial	Industrial	Industrial, Mission critical power
<b>Controller</b>	MPAC 500	MPAC 1000	MPAC 1500	MPAC 1500
<b>Ampere sizes available</b>	100-400 A	30 - 4000 A	40-1000 A	30-4000 A
<b>Phases available</b>	Single	Single or Three	Single or Three	Single or Three
<b>Pole counts available</b>	2	2, 3 or 4	2, 3 or 4	2, 3 or 4
<b>Low voltage</b>	220-240 V	115-600 V	115-480 V	115-600 V

### Product Type

<b>Open transition transfer switch</b>	Yes	Yes	Yes	Yes
<b>Service entrance rated transfer switch</b>	Yes	-	-	Yes
<b>Power transfer load center</b>	Yes	-	-	-
<b>Delayed transition transfer switch</b>	-	-	Yes	Yes
<b>Closed transition transfer switch</b>	-	-	-	Yes
<b>Bypass isolation transfer switch</b>	-	-	-	Yes
<b>Delayed transition bypass isolation</b>	-	-	-	Yes
<b>Closed transition bypass isolation</b>	-	-	-	Yes

### Withstand and Close-On Ratings

<b>WCR – specific breaker</b>	10-65 kA	10-65 kA	30-65 kA	22-100 kA
<b>WCR – any breaker</b>	-	10-50 kA	-	10-100 kA
<b>WCR – current limiting fuses</b>	-	100-200 kA	100-200 kA	100-200 kA
<b>Short-time withstand rating</b>	-	-	-	36-65 kA

# SWITCHGEAR

LOAD IT UP. ANY WAY YOU WANT.

Whether your needs are for emergency, prime power, interruptible rate or peak shaving applications, Kohler has the switchgear to back them all up. When it's time to spec, our team will take care of you every step of the way – from concept to startup. And we will engineer custom switchgear to meet your needs.

Now when it comes to flexibility in generator paralleling, KOHLER® PD-Series paralleling switchgear is the way to go. If utility power ever fluctuates or fails, your KOHLER switchgear automatically reacts to the situation, engages the generators and connects them to your facility.

## STANDARD FEATURES

### CUSTOM DESIGN

Tailor-made from top to bottom. Our switchgear is engineered to specifically meet your unique application.

### SEAMLESS SYSTEM INTEGRATION

It's simple really. Our switchgear works with the entire KOHLER power system – generators, automatic transfer switches and more.

### CERTIFIED PACKAGES

All KOHLER switchgear is cUL-listed and IBC certified.

### DESIGN SUPPORT

Need help? Our experts are ready to assist in switchgear design.

### 1 CIRCUIT BREAKERS

Choose from a variety of paralleling and distribution circuit breakers

### 2 CUSTOM OPTIONS

Choose from controls, meters, protective relays and more

### 3 CONTROL CENTER

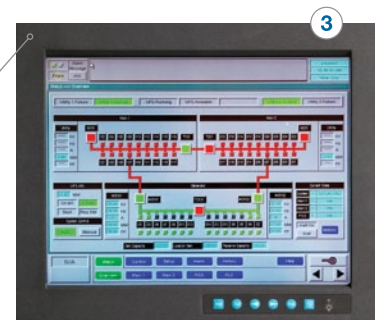
Features color touch screen, USB port for downloading reports, Modbus communications, Web server and more

### 4 LOW AND MEDIUM VOLTAGES

Available up to 13.8 kV



PD-2000





Features	PD-2000	PD-3000	PD-4000
Low-voltage switchboard (UL/cUL 891)	x		
Low-voltage switchgear (UL/cUL 1558)		x	
Medium-voltage metal-clad switchgear (UL/cUL-listed)			x
NEMA 1	x	x	x
NEMA 3R	x	x	x
Short-circuit rating up to 200 kA		x	x
Short-circuit rating up to 150 kA	x		
Bus rating up to 10,000 A	x		
Bus rating up to 9200 A		x	
Bus rating up to 6000 A			x
Maximum voltage 600V	x	x	
Maximum voltage 15kV			x
60 Hz	x	x	x
50 Hz	x	x	x
Parallel up to 32 generators	x	x	x
15" color touch screen (optional touch screen sizes available)	x	x	x
Customizable controls, relays and metering	x	x	x
<b>Modes of Operation</b>			
Emergency standby	x	x	x
Prime power	x	x	x
Base load (peak shave)	x	x	x
Import (peak shave)	x	x	x
Isolate (interruptible rate)	x	x	x
Customizable sequence of operation	x	x	x

# TOWABLES

MUSCLE ON THE MOVE.

20-500 kW

Quiet and reliable, KOHLER® towable generators give you dependable power wherever you go – to remote, unmanned sites to golf tournaments and everywhere in-between. Whatever your application, Kohler has a durable, cost-effective towable solution to meet your needs.

## STANDARD FEATURES

### LONG RUN TIMES

KOHLER towable generators run long hours before refueling.

### QUIET PERFORMANCE

All KOHLER towable generators feature a sound enclosure to ensure quiet performance.

### TRUSTED RELIABILITY

Tough to the core, our towables are built to withstand the elements and run for long hours in standby and prime applications.

### EASY TO OPERATE

The distribution panel features multiple sockets and access to the customer connection interface.

- 1 DOUBLE-WALL FUEL TANK**  
Provides 100% containment of oil, coolant and fuel
- 2 CUSTOMER LOAD CONNECTION**  
Cam lock and busbar connections available with strain relief for enhanced safety
- 3 CONVENIENCE SOCKETS**  
Receptacles available for 120/240 with GFI-protected breakers
- 4 VIEWING WINDOW**  
Allows easy monitoring through viewing window
- 5 HEAVY-DUTY TRAILER**  
DOT-approved with multiple hitch options, levelers, toolbox and more
- 6 LARGE LOCKABLE DOORS**  
Provide easy access to generator fueling and maintenance





MODEL SPECIFICATIONS	20REOZT	40REOZT	60REOZT	100REOZT	125REOZT	150REOZT	200REOZT	500REOZT	
Standby rating @ 480 V (kW/kVA)	23/29	40/50	65/81	106/133	128/160	154/192	213/266	504/630	
Prime rating @ 480 V (kW/kVA)	21/26	36/45	59/74	96/120	116/145	140/175	194/242	458/573	
Voltage – single-phase	110/127/139/240/254/277 – Switchable							n/a	
Voltage – 3-phase	208/220/240/415/440/480 – Switchable							208/220/240/415/440/480 – Reconnectable	
Main circuit breaker (amps)	80	160	250	400	400	630	630	1600	
“Sound level full-load dBA @ 23 feet”	65	65	69	68	71	69		76	
EPA emission tier	4i		3				2		
Fuel tank capacity (gallon)	61		133		229		468		

FUEL CONSUMPTION								
Full load (hours)	32	19	29	18	26	21	17	14
75% load (hours)	43	25	37	20	29	25	29	20
50% load (hours)	56	38	53	28	40	34		29

STANDARD FEATURES									
Control	KOHLER® DECISION-MAKER® 1000							KOHLER DECISION-MAKER 4000	
Voltage selector switch	Standard							N/A	
Reconnectable voltage	N/A							Standard	
110% fluid containment	Standard								
Battery disconnect switch	Standard								
Water/ fuel separator	Standard								
Trailer	Single axle			Tandem axle					

SPEC YOUR JOB AT [KOHLERPOWER.COM](http://KOHLERPOWER.COM)

For more information, call **800.544.2444**  
or visit [KohlerPower.com/Industrial](http://KohlerPower.com/Industrial)

**ISO 9001**  
**KOHLER**  
POWER SYSTEMS  
NATIONALLY REGISTERED

**KOHLER** POWER SYSTEMS

Printed in U.S.A.  
G12-18 3/12  
© 2012 by Kohler Co.

KOHLER® is a registered trademark of Kohler Co.  
Use of this material for reproduction on the Internet and World Wide Web  
is strictly prohibited without written permission from Kohler Co.