

Summary Information

Measurement of Air Volume and Static Pressure

Determination of the air performance curves is obtained by using the double chamber method based on AMCA standard. The difference between the pressures before and after the nozzle (differential pressure P_n) is measured to obtain the air flow at the nozzle and the different pressures between those in the two chambers (static pressure P_s). The air flow is calculated from the differential pressure by using equation (A). The auxiliary blower cancels out the aerodynamic resistance.

$$Q = 60 AV \dots (A)$$

Where

Q : Air flow rate (m^3/min)

A : Nozzle sectional area $=F/4 D^2 (m^2)$

V : Average flow velocity from nozzle

$$= \sqrt{2 \frac{P_n}{r}} (m/s)$$

r : Specific gravity (kg/m^3) of air ($r=1.2kg/m^3$ at $20^\circ C$, 1 atm)

g : Gravitational acceleration = $9.8m/S^2$

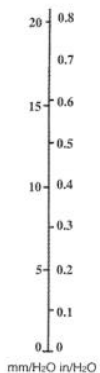
P_n : Differential Pressure (mm H_2O)

P_s : Static pressure (mm H_2O)

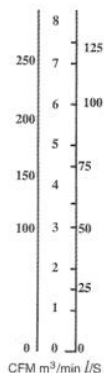
Maximum air flow: When opening the nozzle and absorbing the air using the auxiliary blower to make the static pressure zero ($P_s=0$), the differential pressure (P_n) between chamber A and chamber B will be at it's maximum. The air flow obtained by applying the differential pressure (P_n) to the above equation can be called the maximum air flow.

Maximum static pressure: As shown in the figure, when closing the nozzle, the pressure in the chamber A will be at it's maximum. This differential pressure (P_s) between the air pressure and the pressure in the chamber A can be called the maximum static pressure.

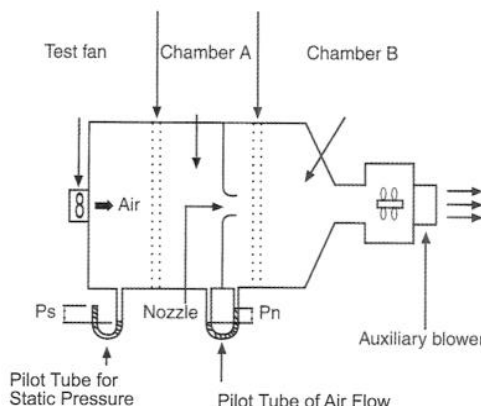
The Static Pressure Conversion Chart



The Airflow Conversion Chart



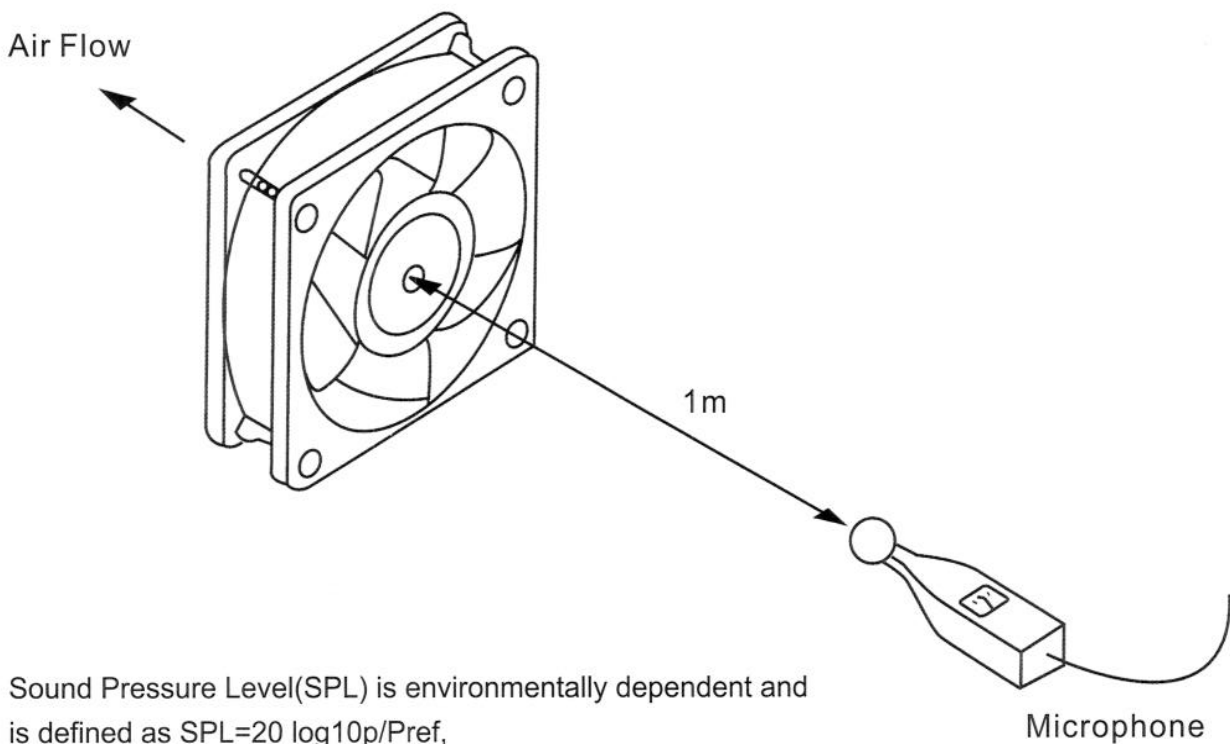
The Measuring Method-double Chamber



Summary Information

Noise Level Data

The Measurements of noise levels are made in accordance with CNS 8753 (which is very close to DIN 45635) ,which is being tested in a sound proof chamber with a sound level $L_p < 15\text{dBA}$. A elastic mounts supported microphone is placed 1 meter from the center line of the fan during the test. The fan is running without any resistance to airflow.



Sound Pressure Level(SPL) is environmentally dependent and is defined as $SPL = 20 \log_{10} p / P_{ref}$,
and Sound Power Level (PWL) is defined as $PWL = 10 \log_{10} W / W_{ref} \dots\dots$

P=Pressure

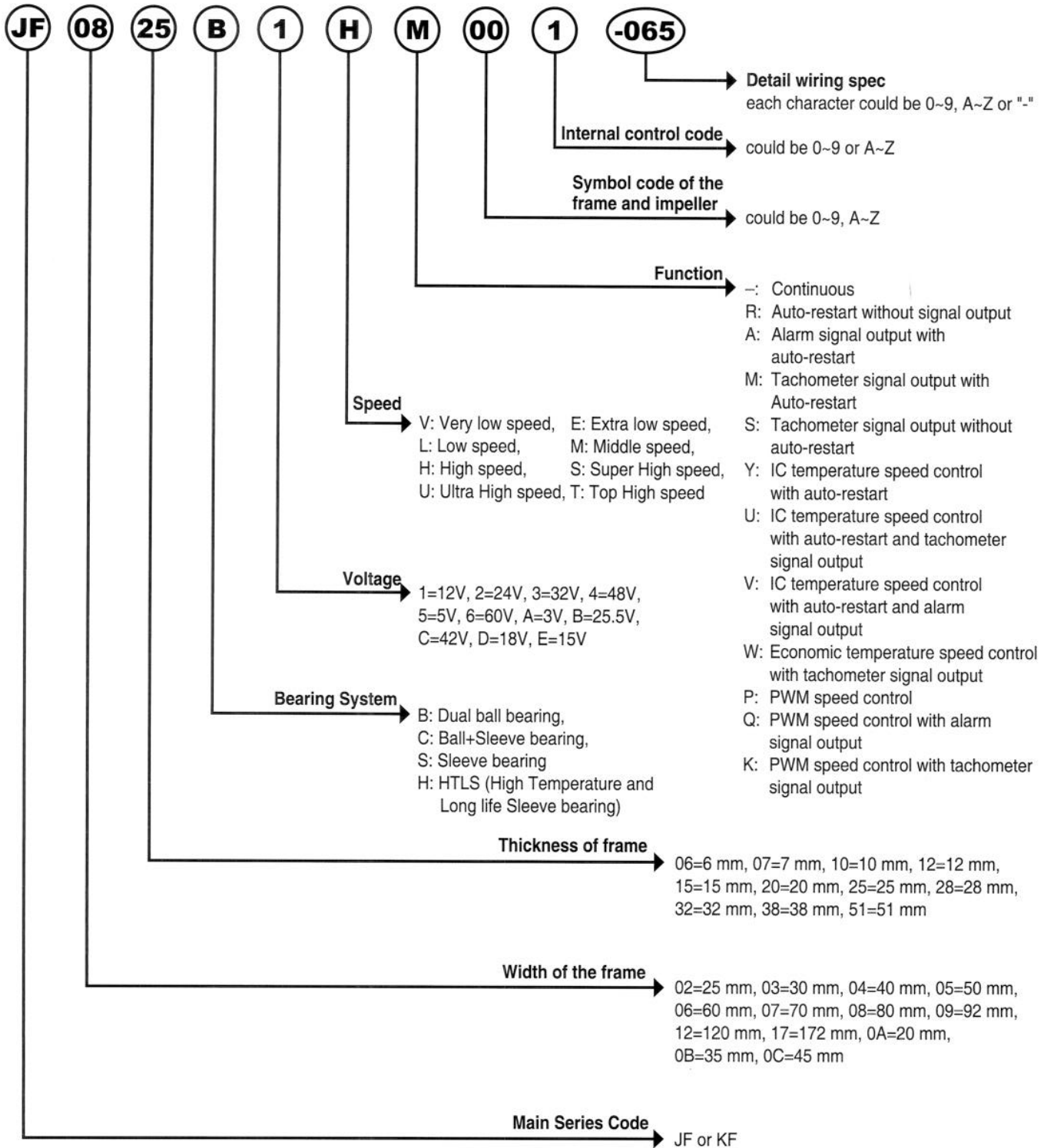
P_{ref} =A reference pressure

W=Acoustic power of the source

W_{ref} =An acoustic reference power

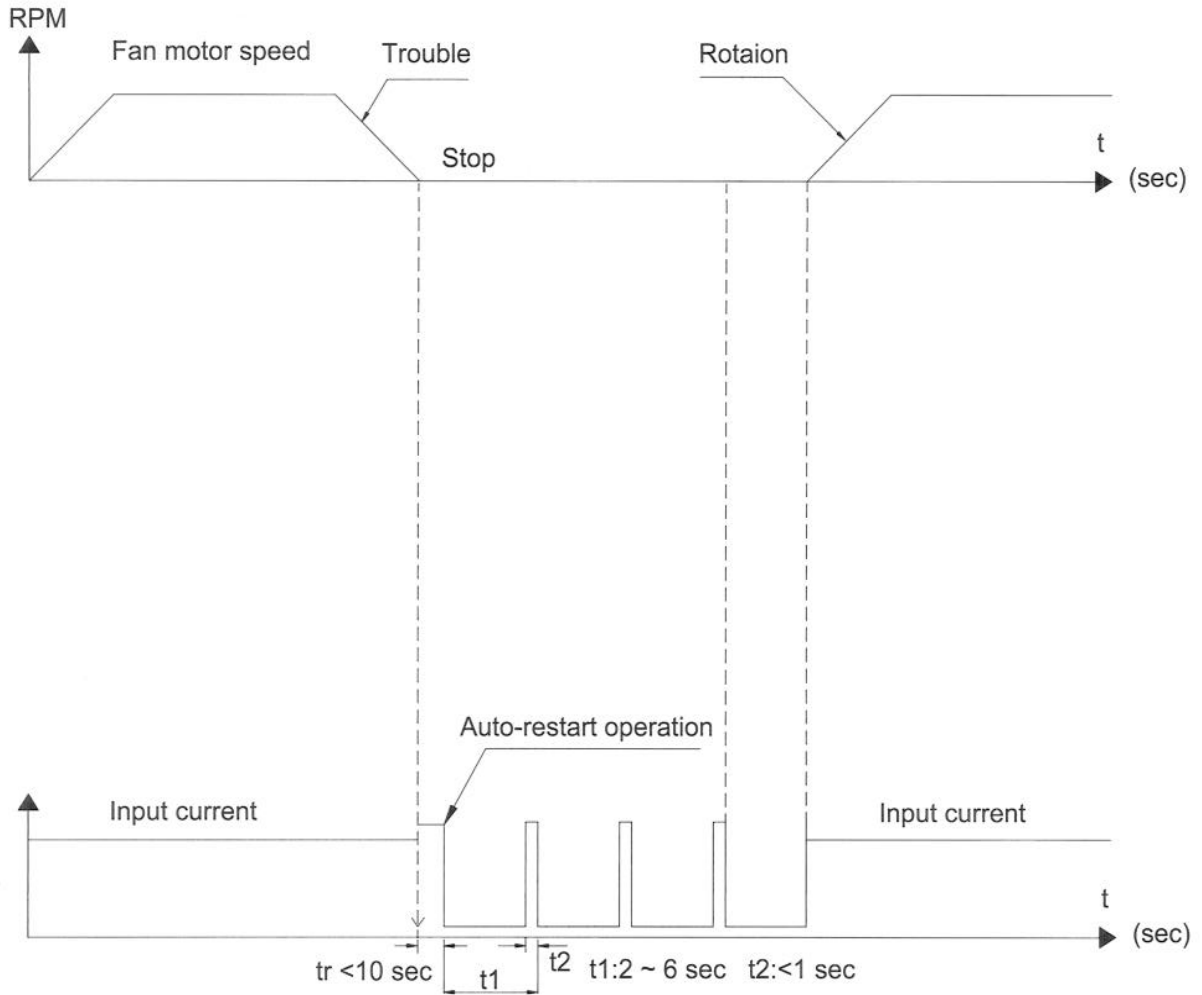
Fan noise data is usually plotted as Sound Pressure Level against the octave frequency bands.

Part Number System



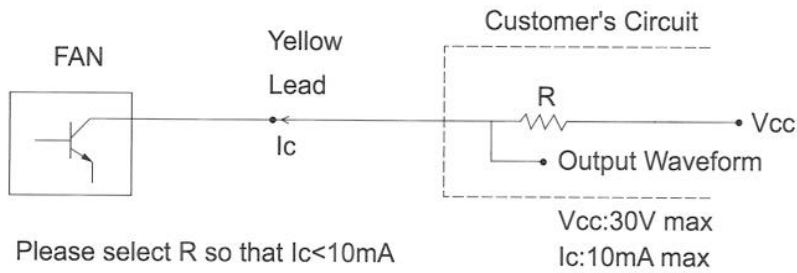
Auto restart without signal output

Diagram:

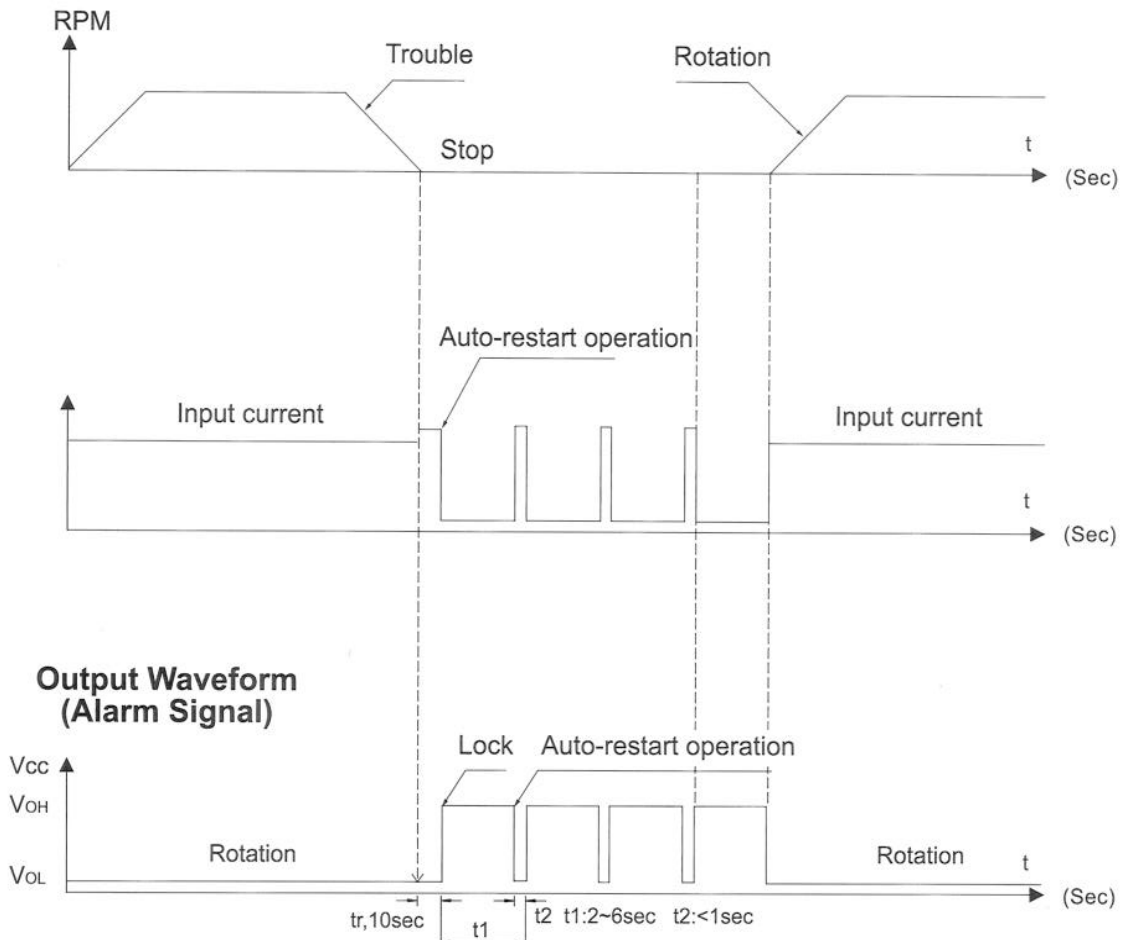


Alarm signal output with auto-restart

Diagram:

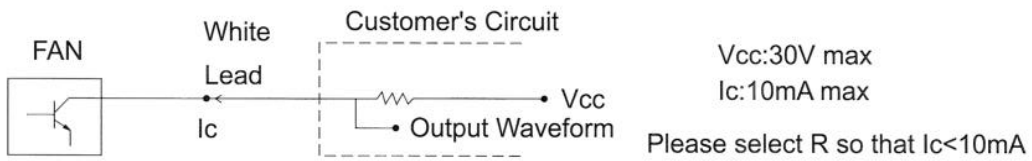


Type of signal:

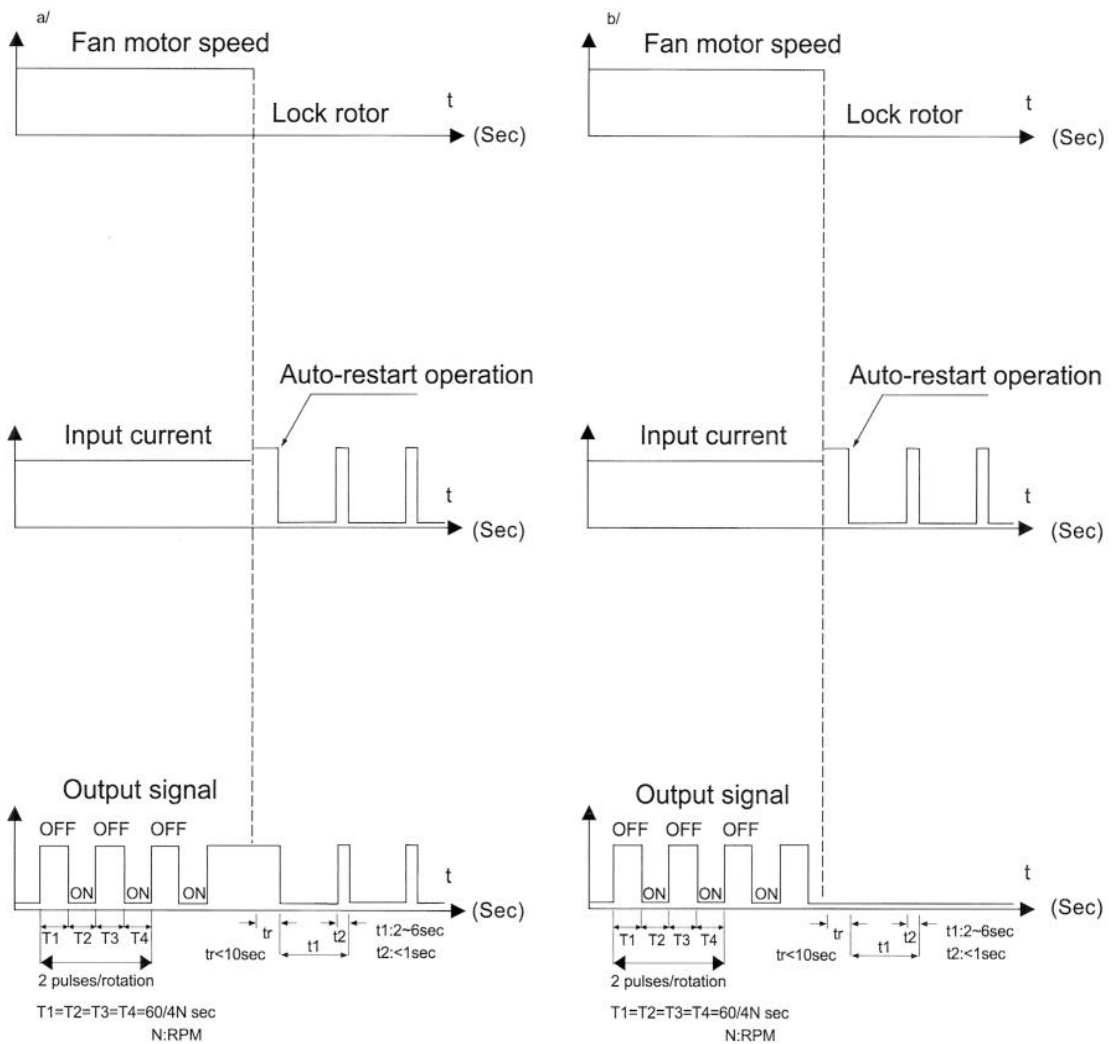


Tachometer signal output with auto-restart

Diagram:

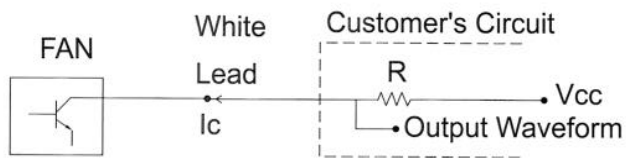


Type of signal:



Tachometer signal output without auto-restart

Diagram:

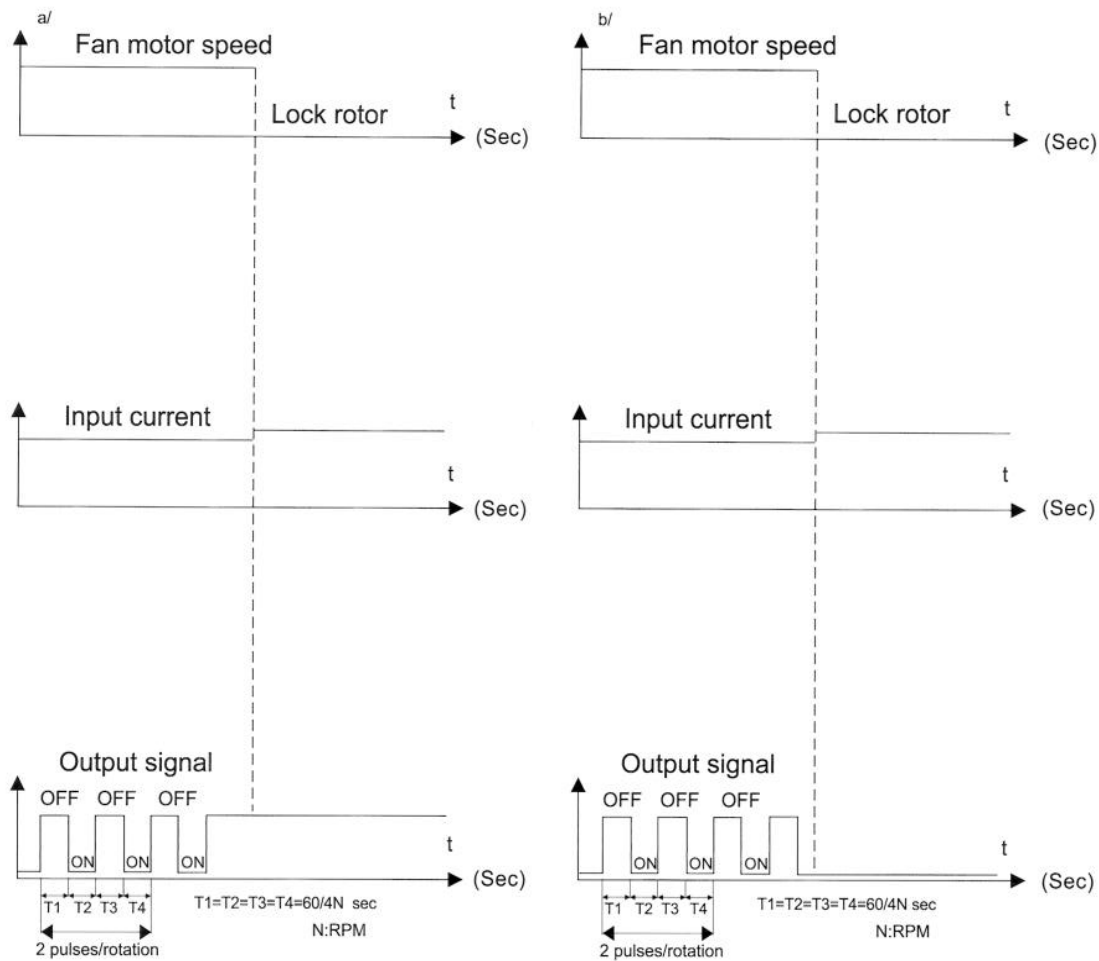


$V_{cc}: 30V \text{ max}$

$I_c: 10mA \text{ max}$

Please select R so that $I_c < 10mA$

Type of signal:



General Specifications

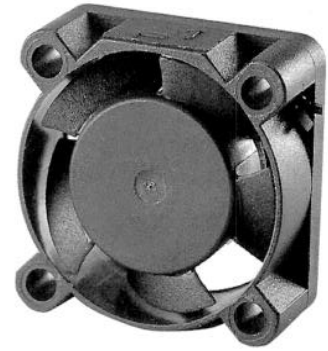
1. Operating Temperature : -10°C~70°C (Ordinary humidity)
2. Storage Temperature : -40°C~70°C (Ordinary humidity)
3. Insulation Resistance : 10M Ohm at DC 500 V.
4. Dielectric Strength : AC 700 V for 3 sec (<0.5 mA allowable, between lead and housing).
5. Life: at ambient temperature 25°C and humidity 65%
 - Dual Ball bearing : 50,000 hours
6. Locked Rotor Protection: designed to meet UL, CUL and TUV.
7. Polarity protection: Reverse connection at the rated voltage will not cause any damage.
8. Insulation Class : UL Class A

DC FAN

JAMICON®

25X25X10 mm

KF0210-00 Series

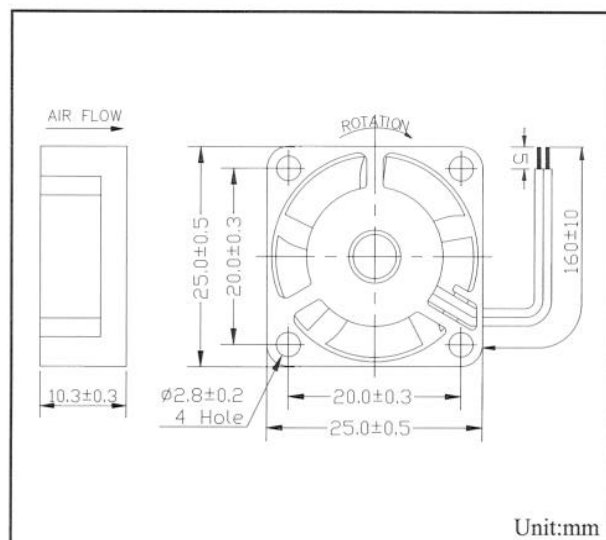
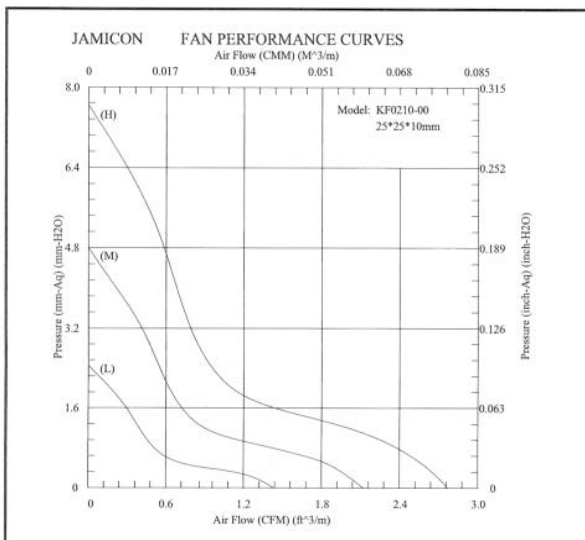


- **Frame** : Plastic Material UL 94V-0
- **Impeller** : Plastic Material UL 94V-0
- **Speed Range** : ±15%

SPECIFICATIONS

Model	Bearing	Rated Voltage (V)	Operating Voltage (V)	Air Flow (CFM)	Static Pressure (inchH ₂ O)	Speed (R.P.M.)	Input Current (Amp)	Input Power (Watt)	Nominal Power (Watt)	Noise (dBA)	Weight (g)	
KF0210B5H-00	Dual Ball	5	4.25~5.75	2.77	0.301	13000	0.22	1.10	1	31.1	7	
KF0210B5M-00				2.12	0.189	10000	0.13	0.65	0.8	25.6		
KF0210B5L-00				1.43	0.096	7000	0.10	0.50	0.5	20.5		
KF0210C5H-00	Ball + Sleeve			2.77	0.301	13000	0.20	1.00	1	31.1		
KF0210C5M-00				2.12	0.189	10000	0.16	0.80	0.8	25.6		
KF0210S5H-00				2.77	0.301	13000	0.22	1.10	1.1	31.1		
KF0210S5M-00	Sleeve		2.12	0.189	10000	0.18	0.90	1	25.6			
KF0210S5L-00			1.43	0.096	7000	0.12	0.60	0.7	20.5			
KF0210B1H-00			Dual Ball	12	10.2~13.8	2.77	0.301	13000	0.09	1.08		1.6
KF0210B1M-00	2.12					0.189	10000	0.07	0.84	0.8		25.6
KF0210B1L-00	1.43					0.096	7000	0.06	0.72	0.7		20.5
KF0210C1H-00	Ball + Sleeve		2.77			0.301	13000	0.10	1.20	1.4		31.1
KF0210C1M-00		2.12	0.189			10000	0.07	0.84	0.8	25.6		
KF0210S1H-00		2.77	0.301			13000	0.12	1.44	1.5	31.1		
KF0210S1M-00	Sleeve	2.12	0.189	10000	0.10	1.20	1.3	25.6				
KF0210S1L-00		1.43	0.096	7000	0.08	0.96	1.2	20.5				

Specifications subject to change without notice



DC FAN

JAMICON®

30X30X6 mm

KF0306-00 Series

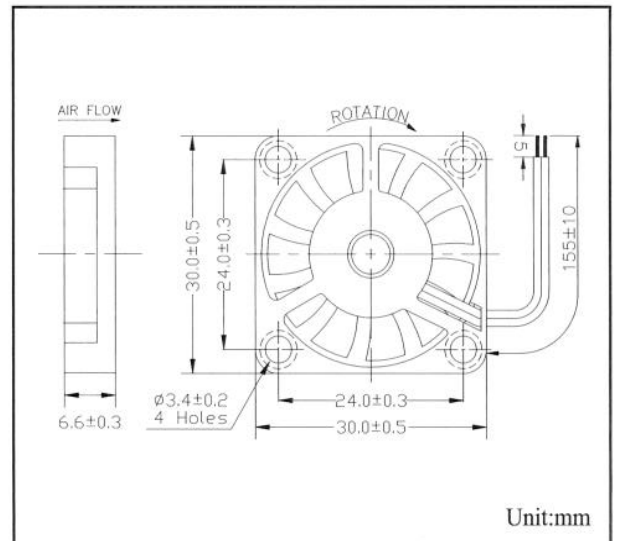
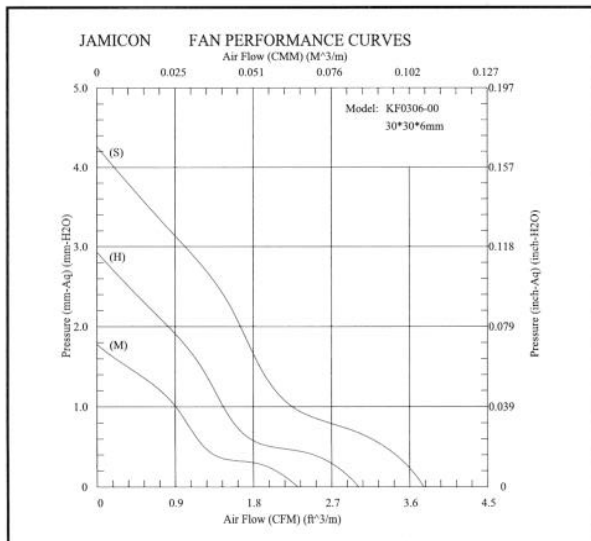


- **Frame** : Plastic Material UL 94V-0
- **Impeller** : Plastic Material UL 94V-0
- **Speed Range** : ±15%

SPECIFICATIONS

Model	Bearing	Rated Voltage (V)	Operating Voltage (V)	Air Flow (CFM)	Static Pressure (inchH ₂ O)	Speed (R.P.M.)	Input Current (Amp)	Input Power (Watt)	Nominal Power (Watt)	Noise (dBA)	Weight (g)		
KF0306C5H-00	Ball + Sleeve	5	4.25~5.75	3.01	0.115	8000	0.15	0.75	1	25.2	6		
KF0306C5M-00				2.31	0.070	6000	0.12	0.60	0.6	20.0			
KF0306S5H-00	Sleeve			3.01	0.115	8000	0.15	0.75	1	25.2			
KF0306S5M-00				2.31	0.070	6000	0.12	0.60	0.6	20.0			
KF0306C1S-00	Ball + Sleeve			12	10.2~13.8	3.76	0.168	10000	0.12	1.44		1.4	30.7
KF0306C1H-00						3.01	0.115	8000	0.10	1.20		1.2	25.2
KF0306S1H-00	Sleeve	3.01	0.115			8000	0.12	1.44	1.4	25.2			
KF0306S1M-00		2.31	0.070			6000	0.06	0.72	1.2	20.0			

Specifications subject to change without notice



DC FAN

JAMICON®

30X30X10 mm

KF0310-01 Series

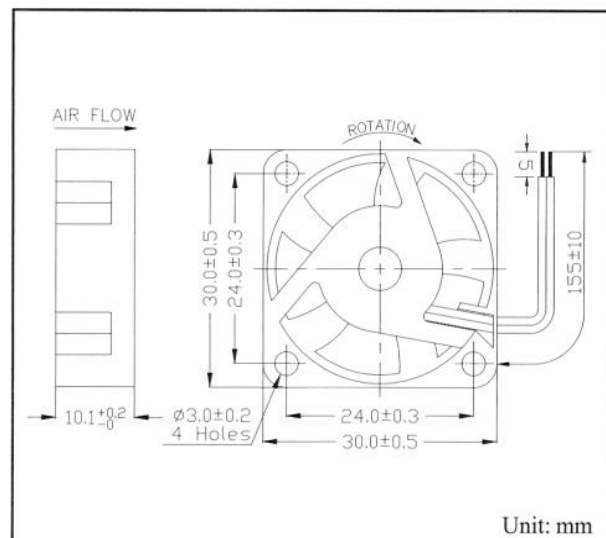
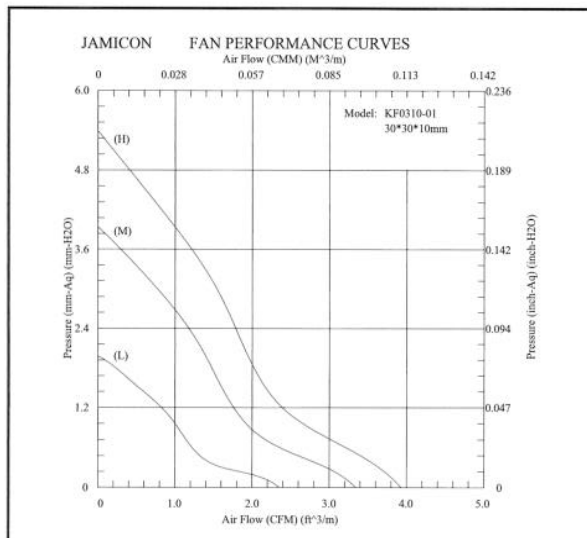


- **Frame** : Plastic Material UL 94V-0
- **Impeller** : Plastic Material UL 94V-0
- **Speed Range** : ±15%

SPECIFICATIONS

Model	Bearing	Rated Voltage (V)	Operating Voltage (V)	Air Flow (CFM)	Static Pressure (inchH ₂ O)	Speed (R.P.M.)	Input Current (Amp)	Input Power (Watt)	Nominal Power (Watt)	Noise (dBA)	Weight (g)
KF0310B5H-01	Dual Ball	5	4.25~5.75	3.93	0.212	10000	0.20	1.00	1.0	31.6	8
KF0310B5M-01				3.34	0.155	8500	0.16	0.80	0.9	27.4	
KF0310B5L-01				2.35	0.080	6000	0.08	0.40	0.5	20.1	
KF0310S5H-01	Sleeve			3.93	0.212	10000	0.22	1.10	1.1	31.6	
KF0310S5M-01				3.34	0.155	8500	0.17	0.85	1.0	27.4	
KF0310S5L-01				2.35	0.080	6000	0.10	0.50	0.6	20.1	
KF0310B1H-01	Dual Ball	12	10.2~13.8	3.93	0.212	10000	0.11	1.32	1.4	31.6	
KF0310B1M-01				3.34	0.155	8500	0.08	0.96	1.3	27.4	
KF0310B1L-01				2.35	0.080	6000	0.06	0.72	0.7	20.1	
KF0310S1H-01	Sleeve			3.93	0.212	10000	0.12	1.44	1.5	31.6	
KF0310S1M-01				3.34	0.155	8500	0.10	1.20	1.3	27.4	
KF0310S1L-01				2.35	0.080	6000	0.06	0.72	0.7	20.1	

Specifications subject to change without notice

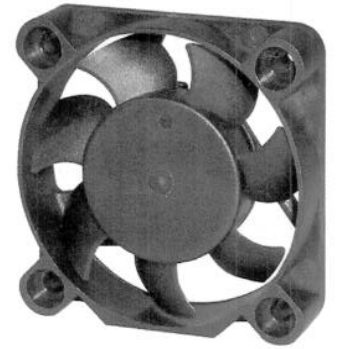


DC FAN

JAMICON®

40X40X10 mm

KF0410-01 Series

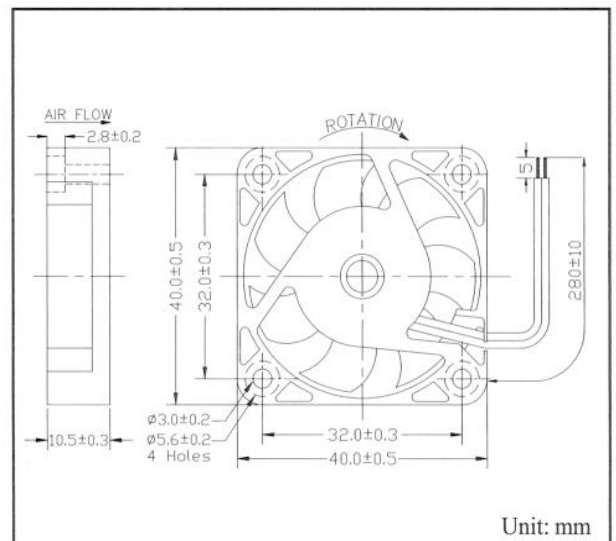
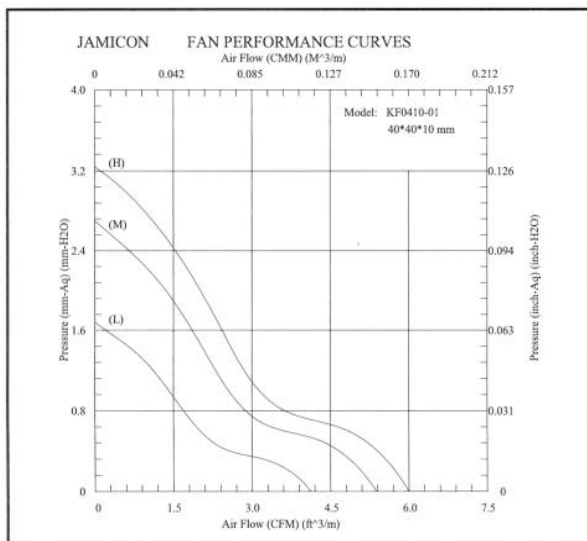


- **Frame** : Plastic Material UL 94V-0
- **Impeller** : Plastic Material UL 94V-0
- **Speed Range** : ±10%

SPECIFICATIONS

Model	Bearing	Rated Voltage (V)	Operating Voltage (V)	Air Flow (CFM)	Static Pressure (inchH ₂ O)	Speed (R.P.M.)	Input Current (Amp)	Input Power (Watt)	Nominal Power (Watt)	Noise (dBA)	Weight (g)	
KF0410B5H-01	Dual Ball	5	4.25~5.75	6.00	0.128	6000	0.13	0.65	0.8	28.0	14	
KF0410B5M-01				5.38	0.106	5400	0.09	0.45	0.5	25.7		
KF0410B5L-01				4.12	0.066	4200	0.07	0.35	0.4	20.9		
KF0410C5H-01	Ball + Sleeve			6.00	0.106	6000	0.11	0.55	0.9	28.0		
KF0410C5M-01				5.38	0.066	5400	0.08	0.40	0.6	25.7		
KF0410S5H-01				6.00	0.128	6000	0.20	1.00	1.2	28.0		
KF0410S5M-01	Sleeve		5.38	0.106	5400	0.10	0.50	0.8	25.7			
KF0410S5L-01			4.12	0.066	4200	0.08	0.40	0.6	20.9			
KF0410B1H-01			Dual Ball	12	10.2~13.8	6.00	0.128	6000	0.07	0.84		0.8
KF0410B1M-01	5.38					0.106	5400	0.06	0.72	0.7		25.7
KF0410B1L-01	4.12					0.066	4200	0.05	0.60	0.6		20.9
KF0410C1H-01	Ball + Sleeve		6.00			0.106	6000	0.09	1.08	1.1		28.0
KF0410C1M-01		5.38	0.066			5400	0.07	0.84	0.7	25.7		
KF0410S1H-01		6.00	0.128			6000	0.08	0.96	1.2	28.0		
KF0410S1M-01	Sleeve	5.38	0.106		5400	0.07	0.84	0.8	25.7			
KF0410S1L-01		4.12	0.066		4200	0.06	0.72	0.7	20.9			

Specifications subject to change without notice



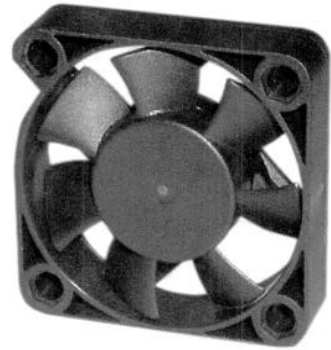
Unit: mm

DC FAN

JAMICON®

40X40X10 mm

KF0410-10 Series

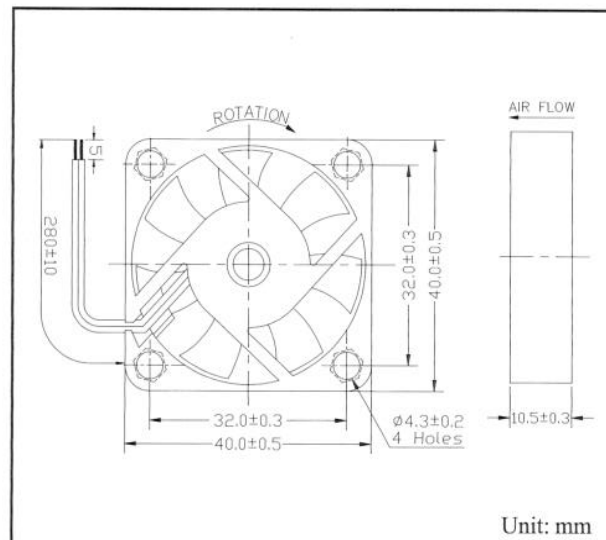
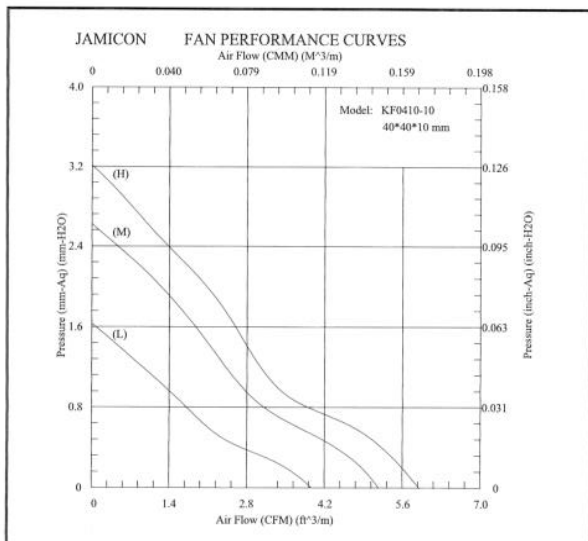


- **Frame** : Plastic Material UL 94V-0
- **Impeller** : Plastic Material UL 94V-0
- **Speed Range** : ±10%

SPECIFICATIONS

Model	Bearing	Rated Voltage (V)	Operating Voltage (V)	Air Flow (CFM)	Static Pressure (inchH ₂ O)	Speed (R.P.M.)	Input Current (Amp)	Input Power (Watt)	Nominal Power (Watt)	Noise (dBA)	Weight (g)	
KF0410B5H-10	Dual Ball	5	4.25~5.75	5.90	0.126	6000	0.13	0.65	0.8	28.3	14	
KF0410B5M-10				5.17	0.103	5400	0.10	0.50	0.5	25.2		
KF0410B5L-10				3.96	0.064	4200	0.08	0.40	0.4	21.2		
KF0410C5H-10	Ball + Sleeve			5.90	0.126	6000	0.13	0.65	0.9	28.3		
KF0410C5M-10				5.17	0.103	5400	0.12	0.60	0.6	25.2		
KF0410S5H-10				Sleeve	5.90	0.126	6000	0.15	0.70	1.2		28.3
KF0410S5M-10	5.17		0.103		5400	0.12	0.60	0.8	25.2			
KF0410S5L-10	3.96		0.064		4200	0.09	0.45	0.6	21.2			
KF0410B1H-10	Dual Ball		12	10.2~13.8	5.90	0.126	6000	0.07	0.84	0.8		28.3
KF0410B1M-10					5.17	0.103	5400	0.06	0.72	0.7		25.2
KF0410B1L-10					3.96	0.064	4200	0.04	0.48	0.6		21.2
KF0410C1H-10	Ball + Sleeve				5.90	0.126	6000	0.07	0.84	1.1		28.3
KF0410C1M-10		5.17			0.103	5400	0.06	0.72	0.7	25.2		
KF0410S1H-10		Sleeve			5.90	0.126	6000	0.08	0.96	1.2	28.3	
KF0410S1M-10	5.17			0.103	5400	0.06	0.72	0.8	25.2			
KF0410S1L-10	3.96			0.064	4200	0.05	0.60	0.7	21.2			

Specifications subject to change without notice

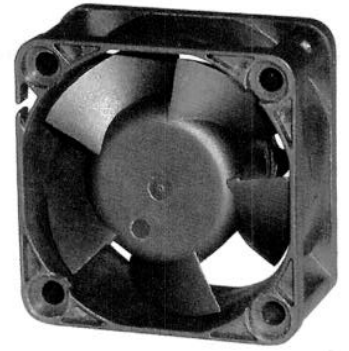


DC FAN

JAMICON®

40X40X20 mm

KF0420-01 Series

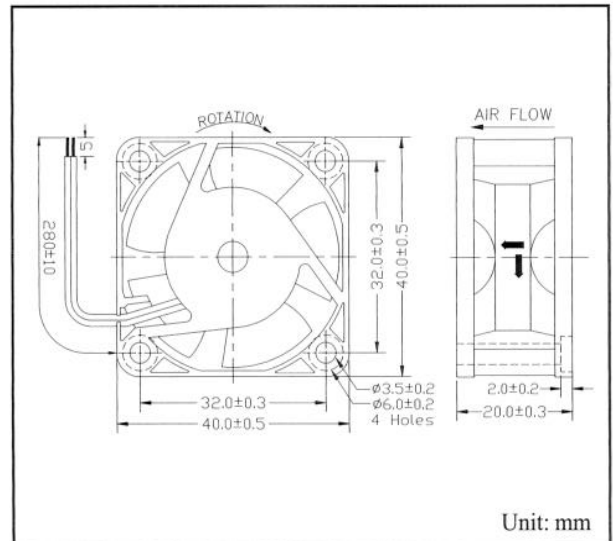
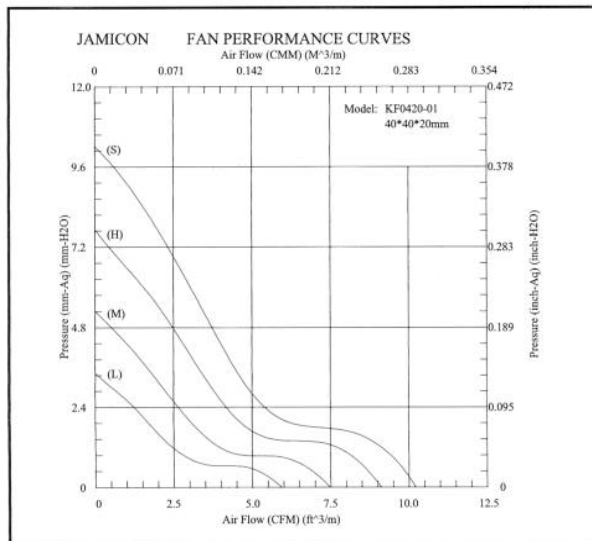


- **Frame** : Plastic Material UL 94V-0
- **Impeller** : Plastic Material UL 94V-0
- **Speed Range** : $\pm 10\%$

SPECIFICATIONS

Model	Bearing	Rated Voltage (V)	Operating Voltage (V)	Air Flow (CFM)	Static Pressure (inchH ₂ O)	Speed (R.P.M.)	Input Current (Amp)	Input Power (Watt)	Nominal Power (Watt)	Noise (dBA)	Weight (g)
KF0420B5H-01	Dual Ball	5	4.25~5.75	9.11	0.304	7500	0.23	1.15	1.3	32.0	24
KF0420B5M-01				7.47	0.207	6200	0.15	0.75	0.8	27.1	
KF0420B5L-01				5.93	0.135	5000	0.09	0.45	0.6	23.2	
KF0420S5H-01	Sleeve			9.11	0.304	7500	0.23	1.15	1.3	32.0	
KF0420S5M-01				7.47	0.207	6200	0.15	0.75	0.8	27.1	
KF0420S5L-01				5.93	0.135	5000	0.09	0.45	0.6	23.2	
KF0420B1S-01	Dual Ball	12	10.2~13.8	10.21	0.392	8500	0.13	1.56	1.8	35.4	
KF0420B1H-01				9.11	0.304	7500	0.10	1.20	1.6	32.0	
KF0420B1M-01				7.47	0.207	6200	0.08	0.96	1.3	27.1	
KF0420B1L-01	Sleeve			5.93	0.135	5000	0.06	0.72	0.8	23.2	
KF0420S1H-01				9.11	0.304	7500	0.10	1.20	1.6	32.0	
KF0420S1M-01				7.47	0.207	6200	0.08	0.96	1.3	27.1	
KF0420S1L-01	Dual Ball	24	20.4~27.6	5.93	0.135	5000	0.06	0.72	0.8	23.2	
KF0420B2S-01				10.21	0.392	8500	0.09	2.16	2.6	35.4	
KF0420B2H-01				9.11	0.304	7500	0.07	1.68	2.0	32.0	
KF0420B2M-01				7.47	0.207	6200	0.05	1.20	1.5	27.1	
KF0420B2L-01				Sleeve	5.93	0.135	5000	0.04	0.96	1.1	23.2
KF0420S2H-01					9.11	0.304	7500	0.07	1.68	2.0	32.0
KF0420S2M-01	7.47	0.207	6200	0.05	1.20	1.5	27.1				
KF0420S2L-01	5.93	0.135	5000	0.04	0.96	1.1	23.2				

Specifications subject to change without notice



50X50X10 mm

KF0510-00 Series

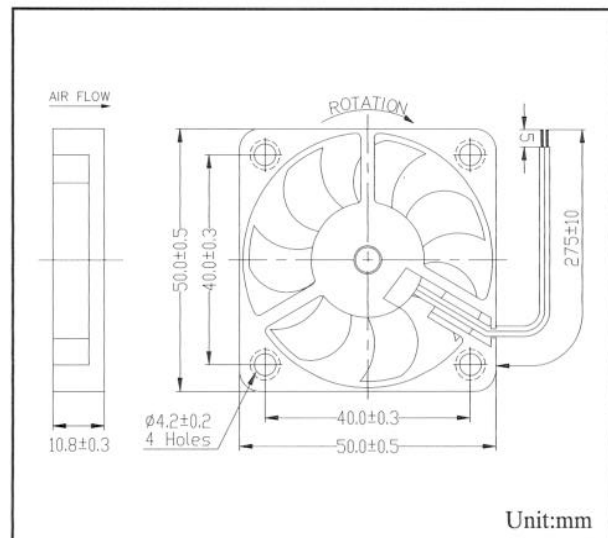
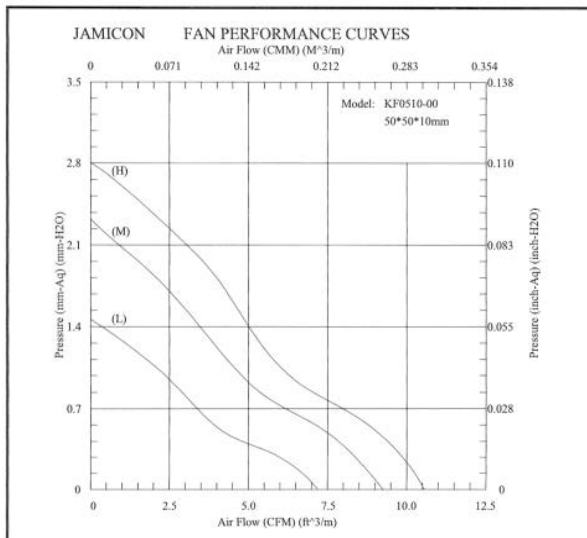


- **Frame** : Plastic Material UL 94V-0
- **Impeller** : Plastic Material UL 94V-0
- **Speed Range** : ±10%

SPECIFICATIONS

Model	Bearing	Rated Voltage (V)	Operating Voltage (V)	Air Flow (CFM)	Static Pressure (inchH ₂ O)	Speed (R.P.M.)	Input Current (Amp)	Input Power (Watt)	Nominal Power (Watt)	Noise (dBA)	Weight (g)	
KF0510B5H-00	Dual Ball	5	4.25~5.75	10.56	0.112	5300	0.14	0.70	1.1	30.8	20	
KF0510B5M-00				9.27	0.092	4500	0.12	0.60	0.9	26.6		
KF0510B5L-00				7.18	0.058	3500	0.08	0.40	0.6	21.9		
KF0510C5H-00	Ball + Sleeve			10.56	0.112	5300	0.14	0.70	1.1	30.8		
KF0510C5M-00				9.27	0.092	4500	0.12	0.60	0.9	26.6		
KF0510S5H-00				Sleeve	10.56	0.112	5300	0.22	1.10	1.1		30.8
KF0510S5M-00	9.27		0.092		4500	0.15	0.75	1.1	26.6			
KF0510S5L-00	7.18		0.058		3500	0.12	0.60	0.7	21.9			
KF0510B1H-00	Dual Ball		12	10.2~13.8	10.56	0.112	5300	0.11	1.32	1.6		30.8
KF0510B1M-00					9.27	0.092	4500	0.08	0.96	0.8		26.6
KF0510B1L-00					7.18	0.058	3500	0.06	0.72	0.7		21.9
KF0510C1H-00	Ball + Sleeve				10.56	0.112	5300	0.11	1.32	1.6		30.8
KF0510C1M-00		9.27			0.092	4500	0.08	0.96	1	26.6		
KF0510S1H-00		Sleeve			10.56	0.112	5300	0.13	1.56	1.9	30.8	
KF0510S1M-00	9.27			0.092	4500	0.08	0.96	1	26.6			
KF0510S1L-00	7.18			0.058	3500	0.07	0.84	0.8	21.9			

Specifications subject to change without notice



Unit:mm

DC FAN

JAMICON®

50X50X15 mm

JF0515-00 Series

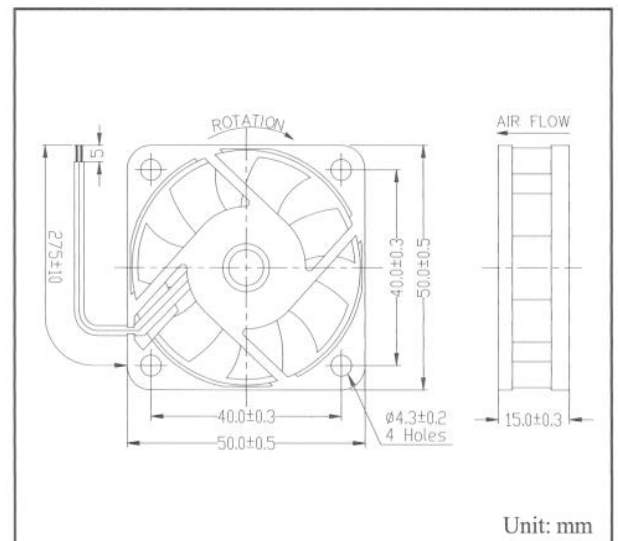
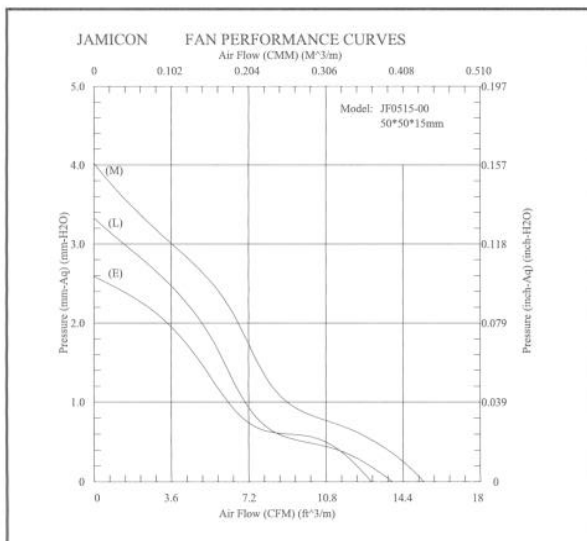


- **Frame** : Plastic Material UL 94V-0
- **Impeller** : Plastic Material UL 94V-0
- **Speed Range** : $\pm 10\%$

SPECIFICATIONS

Model	Bearing	Rated Voltage (V)	Operating Voltage (V)	Air Flow (CFM)	Static Pressure (inchH ₂ O)	Speed (R.P.M.)	Input Current (Amp)	Input Power (Watt)	Nominal Current (Amp)	Noise (dBA)	Weight (g)
JF0515B1M-00	Dual Ball	12	10.2 ~ 13.8	15.35	0.158	5000	0.21	2.52	0.22	33.0	29
JF0515B1L-00				13.89	0.131	4500	0.15	1.80	0.16	29.6	
JF0515B1E-00				12.91	0.102	4000	0.11	1.32	0.12	26.7	
JF0515C1M-00	Ball+Sleeve			15.35	0.158	5000	0.21	2.52	0.22	33.0	
JF0515S1M-00				15.35	0.158	5000	0.21	2.52	0.22	33.0	
JF0515S1L-00				13.89	0.131	4500	0.15	1.80	0.16	29.6	
JF0515S1E-00	Sleeve	12.91	0.102	4000	0.11	1.32	0.12	26.7			
JF0515B2M-00	Dual Ball	24	20.4 ~ 27.6	15.35	0.158	5000	0.12	2.88	0.12	33.0	
JF0515B2L-00				13.89	0.131	4500	0.11	2.64	0.11	29.6	
JF0515B2E-00				12.91	0.102	4000	0.08	1.92	0.08	26.7	
JF0515S2M-00	Sleeve			15.35	0.158	5000	0.12	2.88	0.12	33.0	
JF0515S2L-00				13.89	0.131	4500	0.11	2.64	0.11	29.6	
JF0515S2E-00				12.91	0.102	4000	0.08	1.92	0.08	26.7	

Specifications subject to change without notice



DC FAN

JAMICON®

60X60X10 mm

KF0610-00 Series

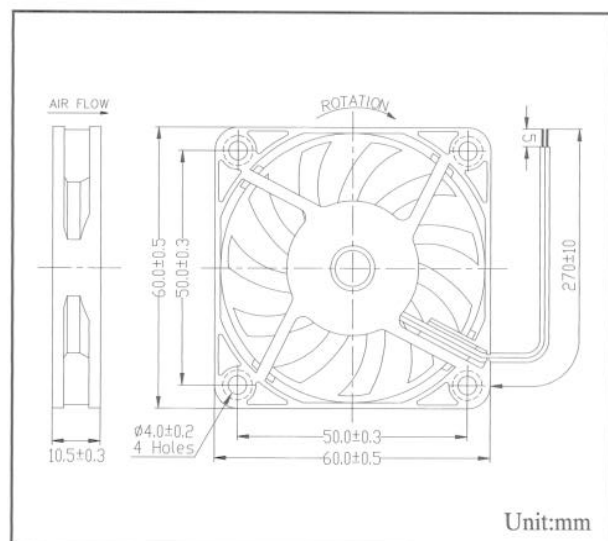
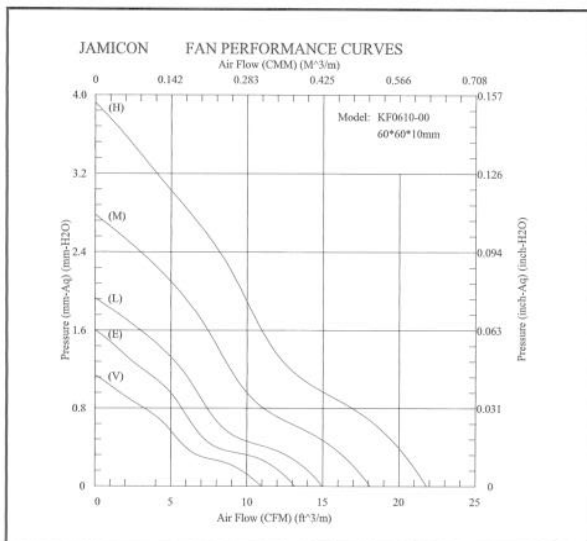


- **Frame** : Plastic Material UL 94V-0
- **Impeller** : Plastic Material UL 94V-0
- **Speed Range** : ±10%

SPECIFICATIONS

Model	Bearing	Rated Voltage (V)	Operating Voltage (V)	Air Flow (CFM)	Static Pressure (inchH ₂ O)	Speed (R.P.M.)	Input Current (Amp)	Input Power (Watt)	Nominal Power (Watt)	Noise (dBA)	Weight (g)
KF0610B5M-00	Dual Ball	5	4.25 ~ 5.75	18.10	0.109	4200	0.30	1.50	1.5	32.9	27
KF0610B5L-00				14.96	0.077	3500	0.25	1.25	1.3	28.1	
KF0610B5E-00				13.16	0.063	3100	0.20	1.00	1.0	25.0	
KF0610B5V-00				10.98	0.049	2600	0.16	0.80	0.8	21.0	
KF0610S5M-00	Sleeve			18.10	0.109	4200	0.30	1.50	1.5	32.9	
KF0610S5L-00				14.96	0.077	3500	0.25	1.25	1.3	28.1	
KF0610S5E-00				13.16	0.063	3100	0.20	1.10	1.0	25.0	
KF0610S5V-00				10.98	0.049	2600	0.16	0.80	0.8	21.0	
KF0610B1H-00	Dual Ball	12	10.2~13.8	21.80	0.154	5000	0.22	2.64	2.8	37.6	
KF0610B1M-00				18.10	0.109	4200	0.14	1.68	2.0	32.9	
KF0610B1L-00				14.96	0.077	3500	0.12	1.44	1.6	28.1	
KF0610C1H-00	Ball + Sleeve			21.80	0.154	5000	0.22	2.64	2.8	37.6	
KF0610C1M-00				18.10	0.109	4200	0.14	1.68	2	32.9	
KF0610S1H-00	Sleeve			21.80	0.154	5000	0.23	2.76	2.8	37.6	
KF0610S1M-00				18.10	0.109	4200	0.15	1.80	2	32.9	
KF0610S1L-00				14.96	0.077	3500	0.13	1.56	1.6	28.1	

Specifications subject to change without notice



Unit:mm

DC FAN

JAMICON®

60X60X15 mm

JF0615-00 Series

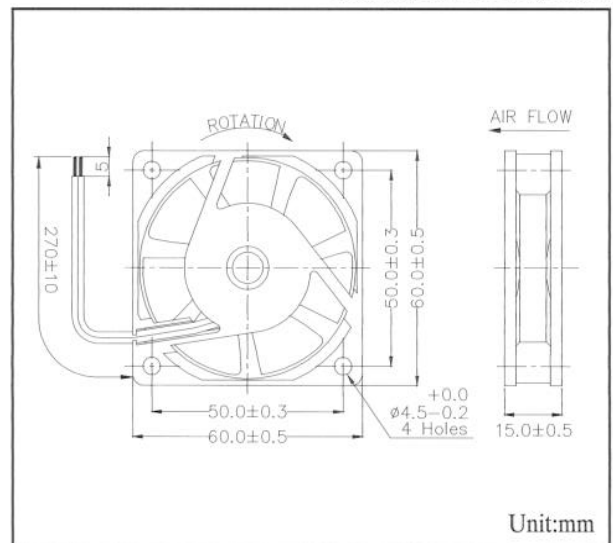
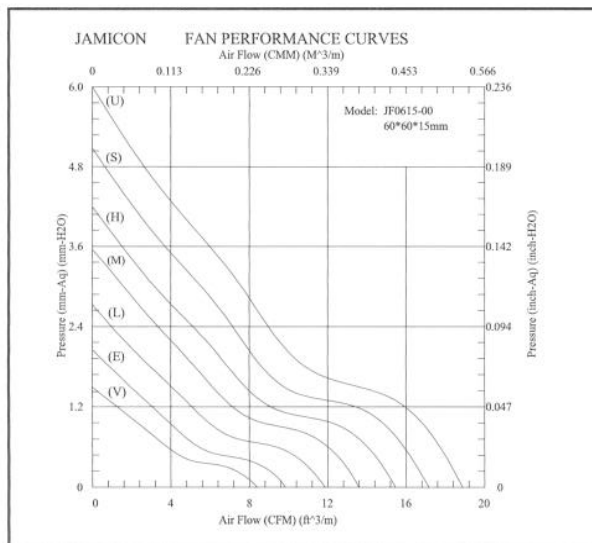


- **Frame** : Plastic Material UL 94V-0
- **Impeller** : Plastic Material UL 94V-0
- **Speed Range** : ±10%

SPECIFICATIONS

Model	Bearing	Rated Voltage (V)	Operating Voltage (V)	Air Flow (CFM)	Static Pressure (inchH ₂ O)	Speed (R.P.M.)	Input Current (Amp)	Input Power (Watt)	Nominal Current (Amp)	Noise (dBA)	Weight (g)				
JF0615B5HR00	Dual Ball	5	4.25 ~ 5.75	15.45	0.165	4500	0.25	1.25	0.26	30.5	45				
JF0615B5MR00				13.58	0.140	4000	0.20	1.00	0.21	28.8					
JF0615B5L-00				11.86	0.107	3500	0.17	0.85	0.17	25.4					
JF0615B5E-00				9.82	0.081	3000	0.14	0.70	0.14	21.2					
JF0615B5V-00				8.39	0.059	2500	0.11	0.55	0.11	17.9					
JF0615S5HR00	Sleeve			5	4.25 ~ 5.75	15.45	0.165	4500	0.25	1.25		0.26	30.5		
JF0615S5MR00						13.58	0.140	4000	0.20	1.00		0.21	28.8		
JF0615S5L-00						11.86	0.107	3500	0.17	0.85		0.17	25.4		
JF0615S5E-00						9.82	0.081	3000	0.14	0.70		0.14	21.2		
JF0615S5V-00						8.39	0.059	2500	0.11	0.55		0.11	17.9		
JF0615B1UR00	Dual Ball	12	10.2 ~ 13.8			18.87	0.220	5500	0.15	1.80		0.16	37.5		
JF0615B1SR00						17.16	0.200	5000	0.14	1.68		0.15	33.7		
JF0615B1H-00						15.45	0.165	4500	0.13	1.56		0.17	30.5		
JF0615B1M-00						13.58	0.140	4000	0.11	1.32		0.15	28.8		
JF0615B1L-00						11.86	0.107	3500	0.10	1.20		0.12	25.4		
JF0615B1E-00				9.82	0.081	3000	0.08	0.96	0.09	21.2					
JF0615B1V-00				8.39	0.059	2500	0.07	0.84	0.07	17.9					
JF0615S1H-00				Sleeve	12	10.2 ~ 13.8	15.45	0.165	4500	0.14		1.68	0.17	30.5	
JF0615S1M-00							13.58	0.140	4000	0.12		1.44	0.15	28.8	
JF0615S1L-00							11.86	0.107	3500	0.10		1.20	0.12	25.4	
JF0615S1E-00	9.82						0.081	3000	0.08	0.96		0.09	21.2		
JF0615S1V-00	8.39						0.059	2500	0.07	0.84		0.07	17.9		
JF0615B2UR00	Dual Ball			24			20.4 ~ 27.6	18.87	0.220	5500		0.11	2.64	0.12	37.5
JF0615B2SR00								17.16	0.200	5000		0.10	2.40	0.11	33.7
JF0615B2H-00								15.45	0.165	4500		0.12	2.88	0.13	30.5
JF0615B2M-00								13.58	0.140	4000		0.11	2.64	0.11	28.8
JF0615B2L-00								11.86	0.107	3500		0.09	2.16	0.09	25.4
JF0615B2E-00								9.82	0.081	3000		0.05	1.20	0.06	21.2
JF0615B2V-00								8.39	0.059	2500		0.04	0.96	0.04	17.9
JF0615S2H-00								Sleeve	24	20.4 ~ 27.6		15.45	0.165	4500	0.13
JF0615S2M-00		13.58	0.140								4000	0.11	2.64	0.11	28.8
JF0615S2L-00		11.86	0.107								3500	0.09	2.16	0.09	25.4
JF0615S2E-00	9.82	0.081	3000								0.06	1.44	0.06	21.2	
JF0615S2V-00	8.39	0.059	2500								0.04	0.96	0.04	17.9	

Specifications subject to change without notice



DC FAN

JAMICON®

60X60X15 mm

KF0615-00 Series



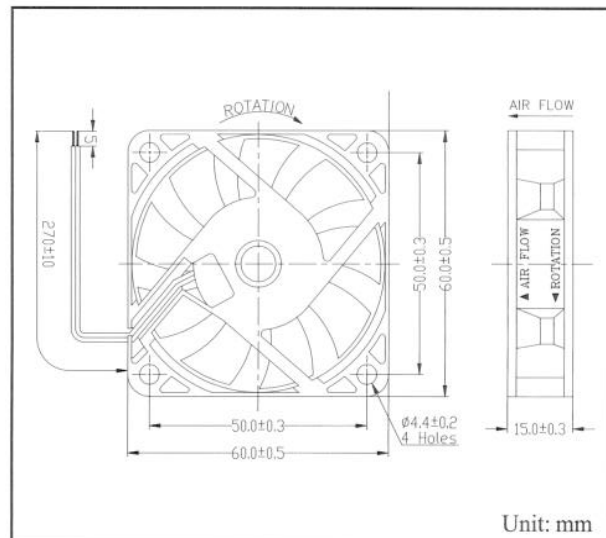
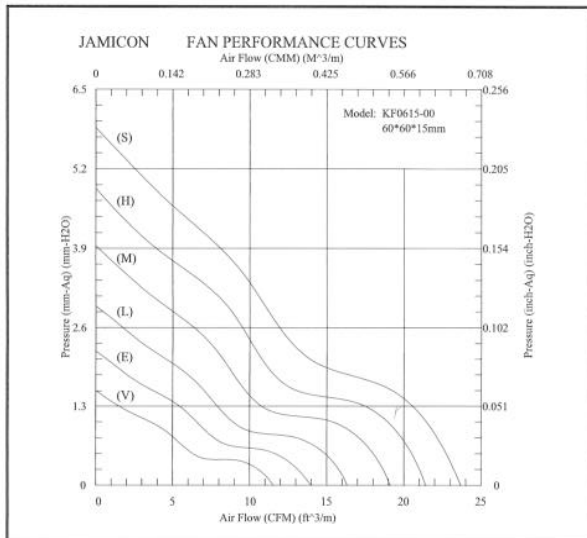
- **Frame** : Plastic Material UL 94V-0
- **Impeller** : Plastic Material UL 94V-0
- **Speed Range** : $\pm 10\%$

SPECIFICATIONS

Model	Bearing	Rated Voltage (V)	Operating Voltage (V)	Air Flow (CFM)	Static Pressure (inchH ₂ O)	Speed (R.P.M.)	Input Current (Amp)	Input Power (Watt)	Nominal Current (Amp)	Noise (dBA)	Weight (g)
KF0615-1H-00	B, H	12	10.2 ~ 13.8	21.40	0.192	4500	0.17	2.0	2.0	33.1	35
KF0615-1M-00	B, H			19.10	0.155	4000	0.14	1.6	1.6	30.0	
KF0615-1L-00	B, H			16.31	0.116	3500	0.09	1.0	1.0	26.8	
KF0615-1E-00	B, H			13.96	0.087	3000	0.07	0.8	1.0	23.0	
KF0615-1V-00	B, H			11.53	0.062	2500	0.05	0.6	1.0	20.1	
KF0615-2H-00	B, H	24	20.4 ~ 27.6	21.40	0.192	4500	0.10	2.40	2.7	33.1	
KF0615-2M-00	B, H			19.10	0.155	4000	0.08	1.92	2.0	30.0	
KF0615-2L-00	B, H			16.31	0.116	3500	0.06	1.44	1.5	26.8	
KF0615-2E-00	B, H			13.96	0.087	3000	0.05	1.20	1.3	23.0	
KF0615-2V-00	B, H			11.53	0.062	2500	0.04	0.96	1.0	20.1	

Specifications subject to change without notice

The 7TH character of Model No means the bearing code. Please refer to the page "PART NUMBER SYSTEM". Please contact us for detail if your request bearing system is not shown in the above list.



Unit: mm

DC FAN

60X60X20 mm

JAMICON®

JF0620-00 Series

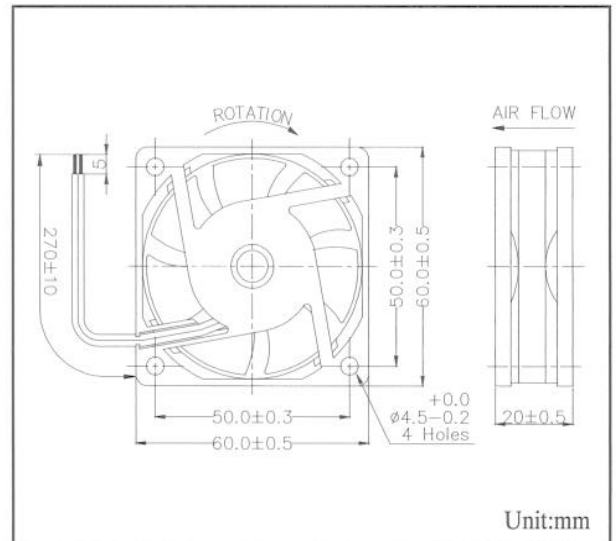
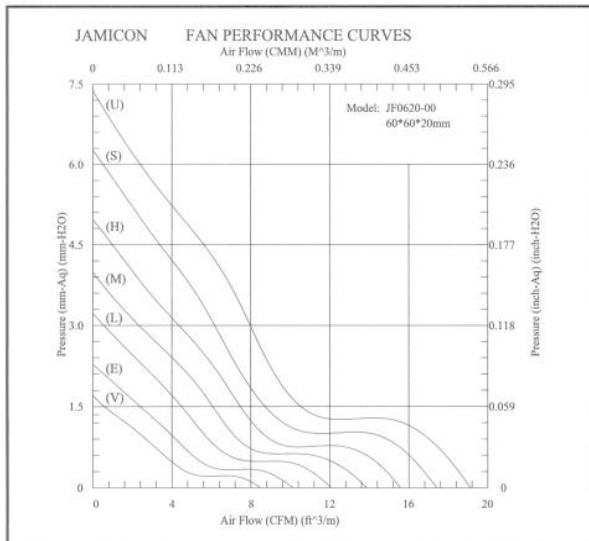


- **Frame** : Plastic Material UL 94V-0
- **Impeller** : Plastic Material UL 94V-0
- **Speed Range** : ±10%

SPECIFICATIONS

Model	Bearing	Rated Voltage (V)	Operating Voltage (V)	Air Flow (CFM)	Static Pressure (inchH ₂ O)	Speed (R.P.M.)	Input Current (Amp)	Input Power (Watt)	Nominal Current (Amp)	Noise (dBA)	Weight (g)				
JF0620B1UR00	Dual Ball	12	10.2 ~ 13.8	19.11	0.291	5500	0.19	2.28	0.20	35.9	50				
JF0620B1SR00				17.41	0.247	5000	0.17	2.04	0.18	32.8					
JF0620B1H-00				15.56	0.196	4500	0.15	1.80	0.17	29.4					
JF0620B1M-00				13.84	0.157	4000	0.13	1.56	0.15	26.4					
JF0620B1L-00				12.06	0.127	3500	0.10	1.20	0.13	23.6					
JF0620B1E-00				10.13	0.090	3000	0.09	1.08	0.09	20.3					
JF0620B1V-00	8.48			0.068	2500	0.07	0.84	0.07	17.1						
JF0620C1H-00	Ball + Sleeve			12	10.2 ~ 13.8	15.56	0.196	4500	0.15	1.80		0.17	29.4		
JF0620C1M-00						13.84	0.157	4000	0.13	1.56		0.15	26.4		
JF0620S1SR00	Sleeve					12	10.2 ~ 13.8	17.41	0.247	5000		0.17	2.04	0.18	32.8
JF0620S1H-00								15.56	0.196	4500		0.15	1.80	0.17	29.4
JF0620S1M-00								13.84	0.157	4000		0.13	1.56	0.15	26.4
JF0620S1L-00		12.06	0.127					3500	0.10	1.20		0.13	23.6		
JF0620S1E-00		10.13	0.090					3000	0.09	1.08		0.09	20.3		
JF0620S1V-00		8.48	0.068					2500	0.07	0.84		0.07	17.1		
JF0620B2UR00	Dual Ball	24	20.4 ~ 27.6					19.11	0.291	5500		0.12	2.88	0.13	35.9
JF0620B2SR00								17.41	0.247	5000		0.10	2.40	0.11	32.8
JF0620B2H-00								15.56	0.196	4500		0.09	2.16	0.13	29.4
JF0620B2M-00								13.84	0.157	4000		0.08	1.92	0.11	26.4
JF0620B2L-00				12.06	0.127			3500	0.07	1.68		0.07	23.6		
JF0620B2E-00				10.13	0.090			3000	0.06	1.44		0.06	20.3		
JF0620B2V-00	8.48			0.068	2500	0.05	1.20	0.05	17.1						
JF0620S2H-00	Sleeve			24	20.4 ~ 27.6	15.56	0.196	4500	0.10	2.40		0.13	29.4		
JF0620S2M-00						13.84	0.157	4000	0.08	1.92		0.11	26.4		
JF0620S2L-00						12.06	0.127	3500	0.07	1.68	0.07	23.6			
JF0620S2E-00						10.13	0.090	3000	0.06	1.44	0.06	20.3			
JF0620S2V-00						8.48	0.068	2500	0.05	1.20	0.05	17.1			

Specifications subject to change without notice



DC FAN

JAMICON®

60X60X25 mm

JF0625-00 Series

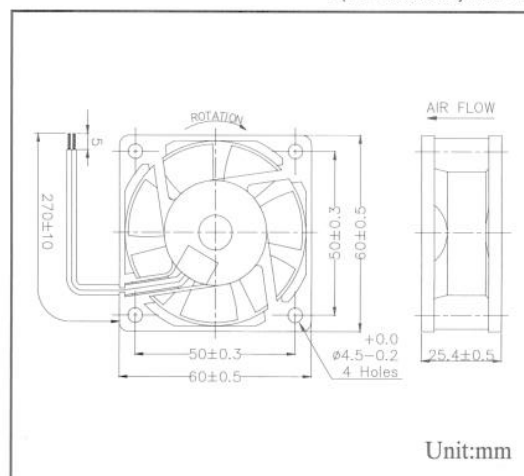
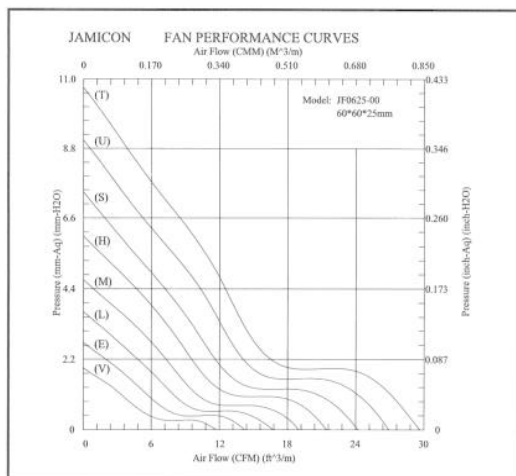


- **Frame** : Plastic Material UL 94V-0
- **Impeller** : Plastic Material UL 94V-0
- **Speed Range** : ±10%

SPECIFICATIONS

Model	Bearing	Rated Voltage (V)	Operating Voltage (V)	Air Flow (CFM)	Static Pressure (inchH ₂ O)	Speed (R.P.M.)	Input Current (Amp)	Input Power (Watt)	Nominal Current (Amp)	Noise (dBA)	Weight (g)				
JF0625B1TR00	Dual Ball	12	10.2 ~ 13.8	29.69	0.422	6000	0.37	4.44	0.38	42.5	65				
JF0625B1UR00				26.96	0.357	5500	0.29	3.48	0.30	39.6					
JF0625B1SR00				24.27	0.292	5000	0.22	2.64	0.22	35.7					
JF0625B1H-00				21.44	0.237	4500	0.20	2.40	0.23	34.1					
JF0625B1M-00				19.00	0.185	4000	0.16	1.92	0.20	31.3					
JF0625B1L-00				16.76	0.145	3500	0.13	1.56	0.17	27.3					
JF0625B1E-00				14.24	0.108	3000	0.11	1.32	0.11	22.4					
JF0625B1V-00	11.72			0.076	2500	0.08	0.96	0.08	20.2						
JF0625C1H-00	Ball + Sleeve			12	10.2 ~ 13.8	21.44	0.237	4500	0.20	2.40		0.23	34.1		
JF0625C1M-00						19.00	0.185	4000	0.16	1.92		0.20	31.3		
JF0625S1SR00	Sleeve					12	10.2 ~ 13.8	24.27	0.292	5000		0.22	2.64	0.22	35.7
JF0625S1H-00								21.44	0.237	4500		0.21	2.52	0.23	34.1
JF0625S1M-00								19.00	0.185	4000		0.16	1.92	0.20	31.3
JF0625S1L-00								16.76	0.145	3500		0.13	1.56	0.17	27.3
JF0625S1E-00		14.24	0.108					3000	0.11	1.32		0.11	22.4		
JF0625S1V-00		11.72	0.076					2500	0.08	0.96		0.08	20.2		
JF0625B2TR00		Dual Ball	24					20.4 ~ 27.6	29.69	0.422		6000	0.20	4.80	0.21
JF0625B2UR00	26.96								0.357	5500		0.16	3.84	0.16	39.6
JF0625B2SR00	24.27								0.292	5000		0.13	3.12	0.14	35.7
JF0625B2H-00	21.44								0.237	4500		0.12	2.88	0.17	34.1
JF0625B2M-00	19.00								0.185	4000		0.11	2.64	0.13	31.3
JF0625B2L-00	16.76								0.145	3500		0.10	2.40	0.12	27.3
JF0625B2E-00	14.24			0.108	3000				0.07	1.68		0.07	22.4		
JF0625B2V-00	11.72	0.076		2500	0.06				1.44	0.06		20.2			
JF0625S2SR00	Sleeve	24		20.4 ~ 27.6	24.27	0.292	5000		0.13	3.12		0.14	35.7		
JF0625S2H-00					21.44	0.237	4500		0.14	3.36		0.17	34.1		
JF0625S2M-00					19.00	0.185	4000		0.11	2.64		0.13	31.3		
JF0625S2L-00					16.76	0.145	3500		0.10	2.40		0.12	27.3		
JF0625S2E-00					14.24	0.108	3000		0.07	1.68	0.07	22.4			
JF0625S2V-00					11.72	0.076	2500		0.06	1.44	0.06	20.2			
JF0625B4U-00					Dual Ball	48	40.8 ~ 60.0		26.96	0.357	5500	0.10	4.80	0.11	39.6
JF0625B4S-00	24.27								0.292	5000	0.09	4.32	0.09	35.7	
JF0625B4H-00	21.44								0.237	4500	0.07	3.36	0.08	34.1	
JF0625B4M-00	19.00								0.185	4000	0.06	2.88	0.07	31.3	
JF0625B4L-00	16.76								0.145	3500	0.05	2.40	0.06	27.3	
JF0625B4E-00	14.24								0.108	3000	0.04	1.92	0.05	22.4	

Specifications subject to change without notice



DC FAN

JAMICON®

70X70X15 mm

KF0715-00 Series

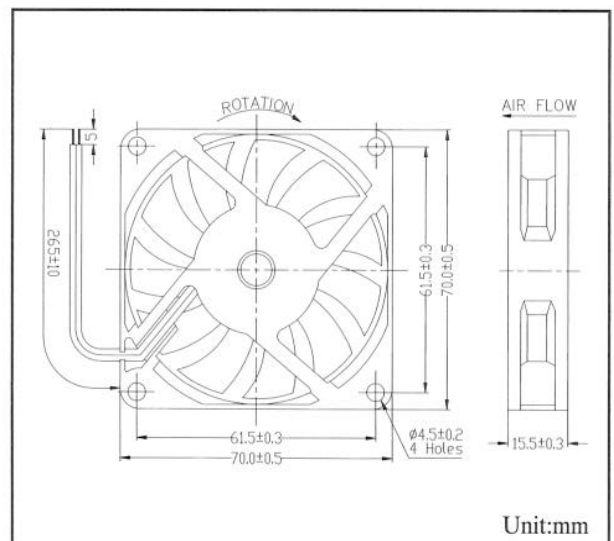
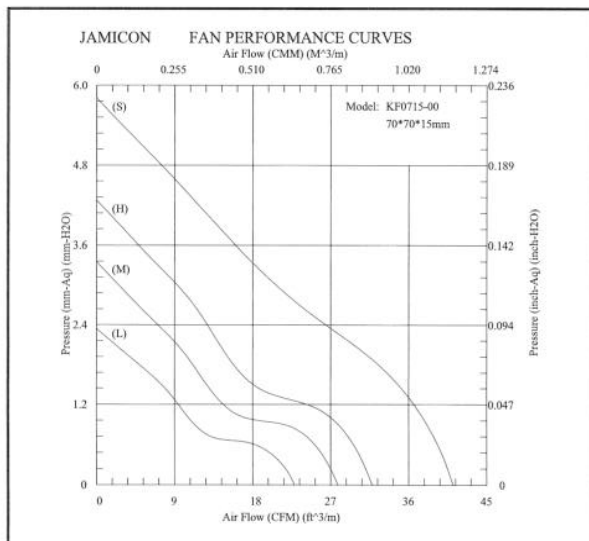


- **Frame** : Plastic Material UL 94V-0
- **Impeller** : Plastic Material UL 94V-0
- **Speed Range** : ±10%

SPECIFICATIONS

Model	Bearing	Rated Voltage (V)	Operating Voltage (V)	Air Flow (CFM)	Static Pressure (inchH ₂ O)	Speed (R.P.M.)	Input Current (Amp)	Input Power (Watt)	Nominal Power (Watt)	Noise (dBA)	Weight (g)						
KF0715B1SR00	Dual Ball	12	10.2~13.8	41.10	0.230	5000	0.55	6.60	7.2	41.5	46						
KF0715B1H-00				31.77	0.168	4200	0.25	3.00	4.2	37.9							
KF0715B1M-00				27.82	0.132	3600	0.16	1.90	3.0	33.9							
KF0715B1L-00				22.80	0.092	3000	0.11	1.32	2.0	28.5							
KF0715C1SR00	Ball + Sleeve			12	10.2~13.8	41.10	0.230	5000	0.53	6.36		7.2	41.5	46			
KF0715C1H-00						31.77	0.168	4200	0.25	3.00		4.2	37.9				
KF0715C1M-00						27.82	0.132	3600	0.18	2.16		3.0	33.9				
KF0715S1SR00	Sleeve					12	10.2~13.8	41.10	0.230	5000		0.55	6.36		7.2	41.5	46
KF0715S1H-00								31.77	0.168	4200		0.25	3.00		4.2	37.9	
KF0715S1M-00								27.82	0.132	3600		0.18	2.16		3.0	33.9	
KF0715S1L-00								22.80	0.092	3000		0.11	1.32		2.0	28.5	

Specifications subject to change without notice



DC FAN

JAMICON®

70X70X25 mm

JF0725-00 Series

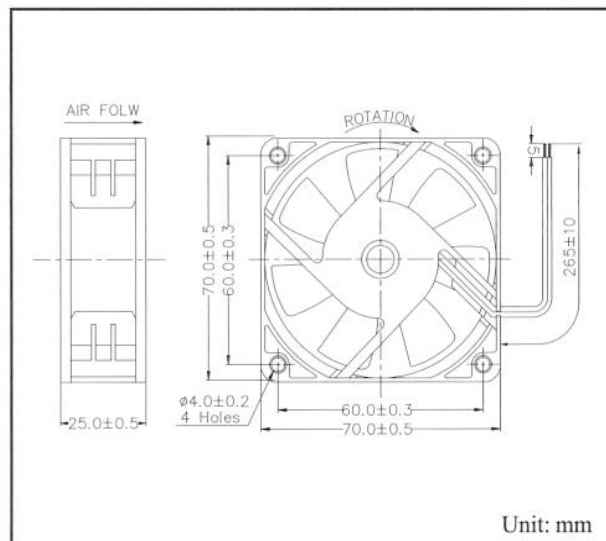
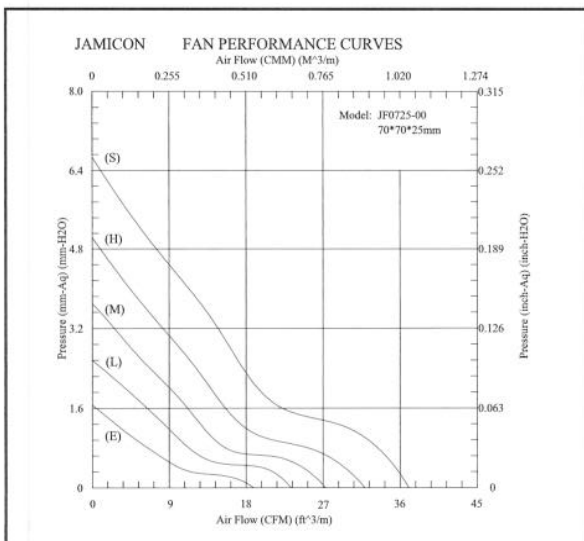


- **Frame** : Plastic Material UL 94V-0
- **Impeller** : Plastic Material UL 94V-0
- **Speed Range** : ±10%

SPECIFICATIONS

Model	Bearing	Rated Voltage (V)	Operating Voltage (V)	Air Flow (CFM)	Static Pressure (inchH ₂ O)	Speed (R.P.M.)	Input Current (Amp)	Input Power (Watt)	Nominal Current (Amp)	Noise (dBA)	Weight (g)		
JF0725B1SR00	Dual Ball	12	10.2~13.8	37.01	0.263	4000	0.35	4.20	0.37	37.2	74		
JF0725B1H-00				31.86	0.198	3500	0.23	2.76	0.23	34.6			
JF0725B1M-00				27.27	0.145	3000	0.17	2.04	0.18	29.9			
JF0725B1L-00				23.27	0.102	2500	0.10	1.20	0.11	24.2			
JF0725B1E-00				18.87	0.065	2000	0.08	0.96	0.08	20.9			
JF0725C1SR00	Ball + Sleeve			37.01	0.263	4000	0.35	4.20	0.37	37.2			
JF0725C1H-00				31.86	0.198	3500	0.23	2.76	0.23	34.6			
JF0725C1M-00				27.27	0.145	3000	0.17	2.04	0.18	29.9			
JF0725S1SR00	Sleeve			37.01	0.263	4000	0.35	4.20	0.37	37.2			
JF0725S1H-00				31.86	0.198	3500	0.23	2.76	0.23	34.6			
JF0725S1M-00				27.27	0.145	3000	0.18	2.16	0.18	29.9			
JF0725S1L-00				23.27	0.102	2500	0.10	1.20	0.11	24.2			
JF0725S1E-00				18.87	0.065	2000	0.08	0.96	0.08	20.9			
JF0725B2SR00	Dual Ball			24	20.4 ~27.6	37.01	0.263	4000	0.22	5.28		0.23	37.2
JF0725B2H-00						31.86	0.198	3500	0.15	3.60		0.16	34.6
JF0725B2M-00		27.27	0.145			3000	0.10	2.40	0.11	29.9			
JF0725B2L-00		23.27	0.102			2500	0.07	1.68	0.07	24.2			
JF0725B2E-00		18.87	0.065			2000	0.05	1.20	0.05	20.9			
JF0725S2H-00	Sleeve	31.86	0.198			3500	0.15	3.60	0.16	34.6			
JF0725S2M-00		27.27	0.145			3000	0.10	2.40	0.11	29.9			
JF0725S2L-00		23.27	0.102			2500	0.07	1.68	0.07	24.2			
JF0725S2E-00		18.87	0.065			2000	0.05	1.20	0.05	20.9			

Specifications subject to change without notice



DC FAN

JAMICON®

80X80X15 mm

JF0815-02 Series



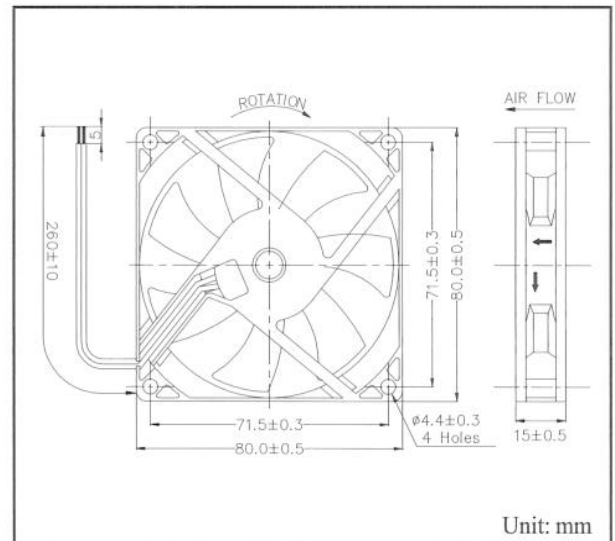
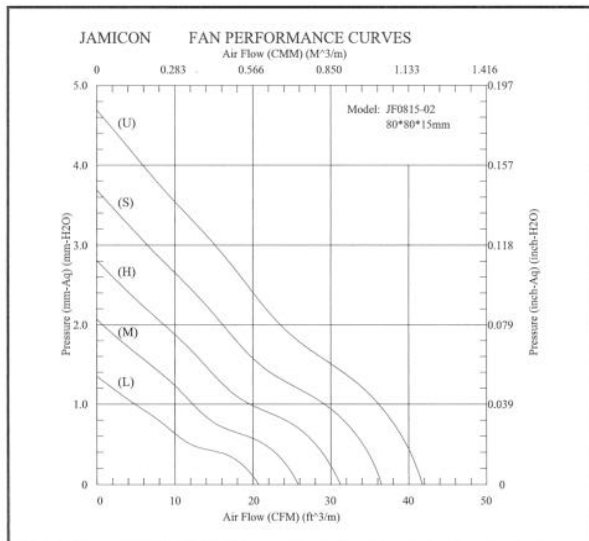
- **Frame** : Plastic Material UL 94V-0
- **Impeller** : Plastic Material UL 94V-0
- **Speed Range** : ±10%

SPECIFICATIONS

Model	Bearing	Rated Voltage (V)	Operating Voltage (V)	Air Flow (CFM)	Static Pressure (inchH ₂ O)	Speed (R.P.M.)	Input Current (Amp)	Input Power (Watt)	Nominal Current (Amp)	Noise (dBA)	Weight (g)
JF0815-1UR02	B, H	12	10.2 ~ 13.8	41.75	0.185	4000	0.31	3.72	0.36	38.0	44
JF0815-1S-02	B, H			36.50	0.145	3500	0.20	2.40	0.29	35.2	
JF0815-1H-02	B, H			31.22	0.111	3000	0.15	1.80	0.20	30.3	
JF0815-1M-02	B, H			25.79	0.081	2500	0.10	1.20	0.15	25.6	
JF0815-1L-02	B, H			20.73	0.053	2000	0.05	0.60	0.11	21.6	
JF0815-2SR02	B, H	24	20.4 ~ 27.6	36.50	0.145	3500	0.11	2.40	0.18	35.2	
JF0815-2H-02	B, H			31.22	0.111	3000	0.09	2.16	0.14	30.3	
JF0815-2M-02	B, H			25.79	0.081	2500	0.06	1.44	0.11	25.6	
JF0815-2L-02	B, H			20.73	0.053	2000	0.05	1.20	0.07	21.6	

Specifications subject to change without notice

The 7TH character of Model No means the bearing code. Please refer to the page "PART NUMBER SYSTEM". Please contact us for detail if your request bearing system is not shown in the above list.



DC FAN

JAMICON®

80X80X20 mm

KF0820-00 Series



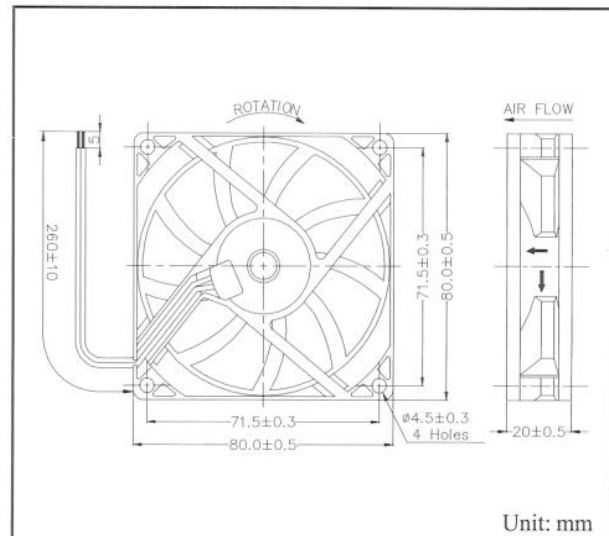
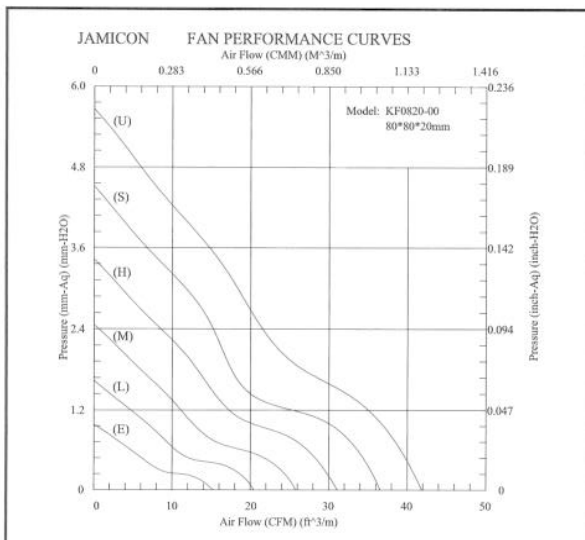
- **Frame** : Plastic Material UL 94V-0
- **Impeller** : Plastic Material UL 94V-0
- **Speed Range** : ±10%

SPECIFICATIONS

Model	Bearing	Rated Voltage (V)	Operating Voltage (V)	Air Flow (CFM)	Static Pressure (inchH ₂ O)	Speed (R.P.M.)	Input Current (Amp)	Input Power (Watt)	Nominal Current (Amp)	Noise (dBA)	Weight (g)
KF0820-1UR00	B, H	12	10.2 ~ 13.8	41.87	0.223	4000	0.27	3.24	0.30	39.6	57
KF0820-1S-00	B, H			36.55	0.178	3500	0.20	2.40	0.22	35.5	
KF0820-1H-00	B, H, S			31.09	0.135	3000	0.14	1.68	0.15	31.4	
KF0820-1M-00	B, H, S			25.75	0.097	2500	0.08	0.96	0.10	26.5	
KF0820-1L-00	B, H, S			20.44	0.065	2000	0.06	0.72	0.07	21.3	
KF0820-1E-00	B, H, S			15.20	0.039	1500	0.04	0.48	0.04	14.2	
KF0820-2UR00	B, H	24	20.4 ~ 27.6	41.87	0.223	4000	0.15	3.60	0.16	39.6	
KF0820-2S-00	B, H			36.55	0.178	3500	0.10	2.40	0.11	35.5	
KF0820-2H-00	B, H, S			31.09	0.135	3000	0.07	1.68	0.08	31.4	
KF0820-2M-00	B, H, S			25.75	0.097	2500	0.06	1.44	0.07	26.5	
KF0820-2L-00	B, H, S			20.44	0.065	2000	0.04	0.96	0.05	21.3	
KF0820-2E-00	B, H, S			15.20	0.039	1500	0.03	0.72	0.04	14.2	

Specifications subject to change without notice

The 7TH character of Model No means the bearing code. Please refer to the page "PART NUMBER SYSTEM". Please contact us for detail if your request bearing system is not shown in the above list.



DC FAN

JAMICON®

80X80X25 mm

JF0825-00 Series

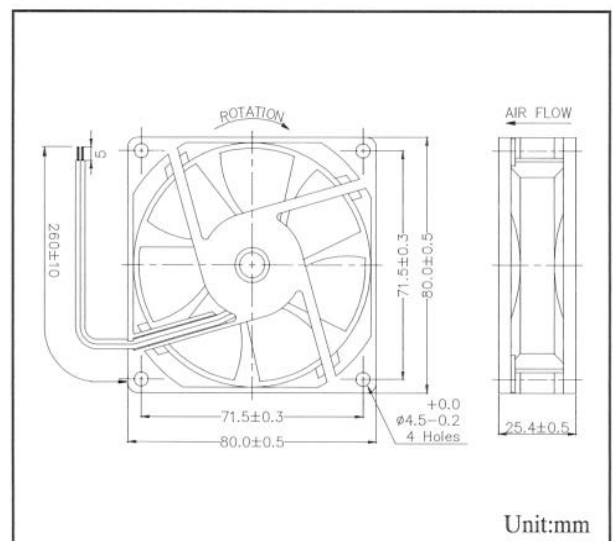
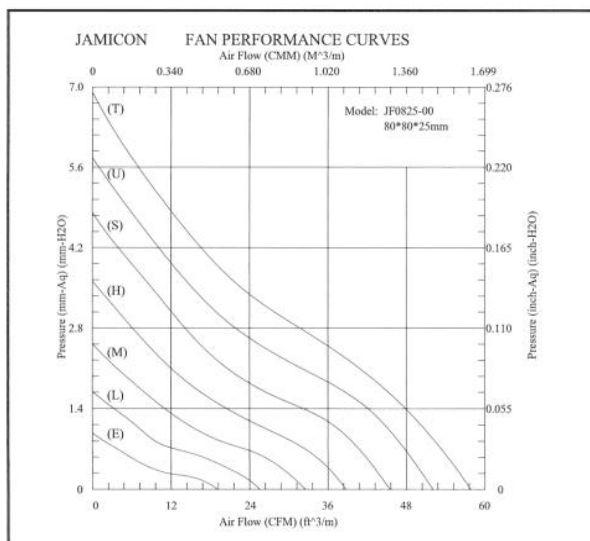


- **Frame** : Plastic Material UL 94V-0
- **Impeller** : Plastic Material UL 94V-0
- **Speed Range** : ±10%

SPECIFICATIONS

Model	Bearing	Rated Voltage (V)	Operating Voltage (V)	Air Flow (CFM)	Static Pressure (inchH ₂ O)	Speed (R.P.M.)	Input Current (Amp)	Input Power (Watt)	Nominal Current (Amp)	Noise (dBA)	Weight (g)							
JF0825B1UR00	Dual Ball	12	10.2 ~ 13.8	52.06	0.227	4000	0.37	4.44	0.37	40.0	80							
JF0825B1SR00				45.46	0.189	3500	0.26	3.12	0.26	35.8								
JF0825B1H-00				38.74	0.142	3000	0.19	2.28	0.19	31.0								
JF0825B1M-00				32.52	0.099	2500	0.13	1.56	0.15	27.8								
JF0825B1L-00				25.54	0.067	2000	0.09	1.08	0.10	22.2								
JF0825B1E-00	Ball + Sleeve			12	10.2 ~ 13.8	19.09	0.039	1500	0.06	0.72		0.06	15.9					
JF0825C1SR00						45.46	0.189	3500	0.26	3.12		0.26	35.8					
JF0825C1H-00						38.74	0.142	3000	0.19	2.28		0.19	31.0					
JF0825C1M-00						32.52	0.099	2500	0.13	1.56		0.15	27.8					
JF0825S1SR00						45.46	0.189	3500	0.26	3.12		0.26	35.8					
JF0825S1H-00	Sleeve					12	10.2 ~ 13.8	38.74	0.142	3000		0.19	2.28	0.19	31.0			
JF0825S1M-00								32.52	0.099	2500		0.13	1.56	0.15	27.8			
JF0825S1L-00								25.54	0.067	2000		0.09	1.08	0.10	22.2			
JF0825S1E-00								19.09	0.039	1500		0.06	0.72	0.06	15.9			
JF0825B2TR00								Dual Ball	24	20.4 ~ 27.6		57.84	0.272	4500	0.27	6.48	0.27	42.4
JF0825B2UR00	52.06	0.227	4000									0.21	5.04	0.21	40.0			
JF0825B2SR00	45.46	0.189	3500									0.16	3.84	0.17	35.8			
JF0825B2H-00	38.74	0.142	3000									0.13	3.12	0.15	31.0			
JF0825B2M-00	32.52	0.099	2500									0.10	2.40	0.13	27.8			
JF0825B2L-00	Sleeve	24	20.4 ~ 27.6					25.54				0.067	2000	0.07	1.68	0.10	22.2	
JF0825B2E-00				19.09	0.039			1500				0.04	0.96	0.05	15.9			
JF0825S2SR00				45.46	0.189			3500				0.16	3.84	0.17	35.8			
JF0825S2H-00				38.74	0.142			3000				0.13	3.12	0.15	31.0			
JF0825S2M-00				32.52	0.099			2500				0.10	2.40	0.13	27.8			
JF0825S2L-00	Sleeve			24	20.4 ~ 27.6			25.54				0.067	2000	0.08	1.92	0.10	22.2	
JF0825S2E-00						19.09	0.039	1500				0.04	0.96	0.05	15.9			
JF0825B4U-00						Dual Ball	48	40.8 ~ 60.0				52.06	0.227	4000	0.12	5.76	0.12	40.0
JF0825B4S-00												45.46	0.189	3500	0.10	4.80	0.10	35.8
JF0825B4H-00												38.74	0.142	3000	0.08	3.84	0.08	31.0
JF0825B4M-00	32.52											0.099	2500	0.06	2.88	0.06	27.8	
JF0825B4L-00	25.54										0.067	2000	0.05	2.40	0.05	22.2		

Specifications subject to change without notice



80X80X25 mm

JF0825-02 Series

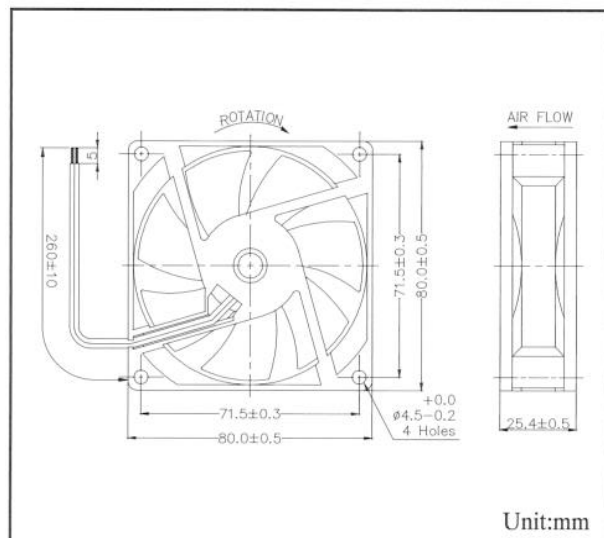
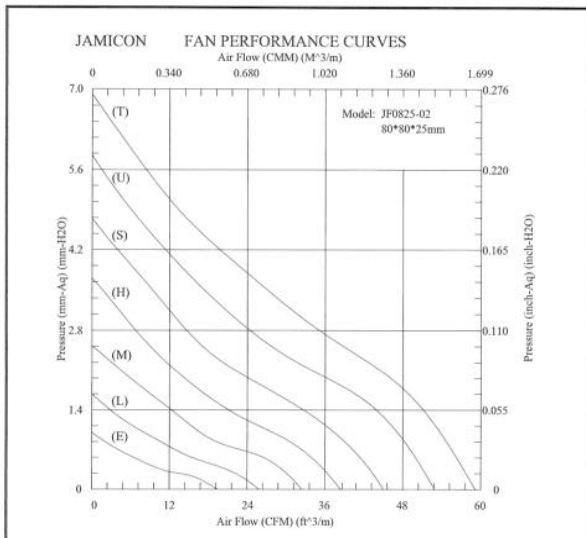


- **Frame** : Plastic Material UL 94V-0
- **Impeller** : Plastic Material UL 94V-0
- **Speed Range** : ±10%

SPECIFICATIONS

Model	Bearing	Rated Voltage (V)	Operating Voltage (V)	Air Flow (CFM)	Static Pressure (inchH ₂ O)	Speed (R.P.M.)	Input Current (Amp)	Input Power (Watt)	Nominal Current (Amp)	Noise (dBA)	Weight (g)
JF0825B1UR02	Dual Ball	12	10.2 ~ 13.8	52.90	0.230	4000	0.37	4.44	0.37	40.8	80
JF0825B1SR02				45.00	0.187	3500	0.26	3.12	0.26	35.9	
JF0825B1H-02				38.67	0.146	3000	0.19	2.28	0.19	31.4	
JF0825B1M-02				32.42	0.100	2500	0.13	1.56	0.15	27.9	
JF0825B1L-02				25.81	0.066	2000	0.09	1.08	0.10	22.1	
JF0825B1E-02				19.43	0.039	1500	0.06	0.72	0.06	17.5	
JF0825C1SR02	Ball + Sleeve			45.00	0.187	3500	0.26	3.12	0.26	35.9	
JF0825C1H-02				38.67	0.146	3000	0.19	2.28	0.19	31.4	
JF0825C1M-02				32.42	0.100	2500	0.13	1.56	0.15	27.9	
JF0825S1SR02	Sleeve			45.00	0.187	3500	0.26	3.12	0.26	35.9	
JF0825S1H-02				38.67	0.146	3000	0.19	2.28	0.19	31.4	
JF0825S1M-02				32.42	0.100	2500	0.13	1.56	0.15	27.9	
JF0825S1L-02		25.81	0.066	2000	0.09	1.08	0.10	22.1			
JF0825S1E-02		19.43	0.039	1500	0.06	0.72	0.06	17.5			
JF0825B2TR02		Dual Ball	24	20.4 ~ 27.6	59.12	0.272	4500	0.27	6.48	0.27	
JF0825B2UR02	52.90				0.230	4000	0.21	5.04	0.21	40.8	
JF0825B2SR02	45.00				0.187	3500	0.16	3.84	0.17	35.9	
JF0825B2H-02	38.67				0.146	3000	0.13	3.12	0.15	31.4	
JF0825B2M-02	32.42				0.100	2500	0.10	2.40	0.13	27.9	
JF0825B2L-02	25.81				0.066	2000	0.07	1.68	0.10	22.1	
JF0825B2E-02	19.43	0.039			1500	0.04	0.96	0.05	17.5		
JF0825S2SR02	Sleeve	45.00			0.187	3500	0.16	3.84	0.17	35.9	
JF0825S2H-02		38.67			0.146	3000	0.13	3.12	0.15	31.4	
JF0825S2M-02		32.42			0.100	2500	0.10	2.40	0.13	27.9	
JF0825S2L-02		25.81			0.066	2000	0.08	1.92	0.10	22.1	
JF0825S2E-02		19.43			0.039	1500	0.04	0.96	0.05	17.5	
JF0825B4U-02		Dual Ball	48	40.8 ~ 60.0	52.90	0.230	4000	0.12	5.76	0.12	40.8
JF0825B4S-02	45.00				0.187	3500	0.10	4.80	0.10	35.9	
JF0825B4H-02	38.67				0.146	3000	0.08	3.84	0.08	31.4	
JF0825B4M-02	32.42				0.100	2500	0.06	2.88	0.06	27.9	
JF0825B4L-02	25.81				0.066	2000	0.05	2.40	0.05	22.1	

Specifications subject to change without notice



DC FAN

JAMICON®

92X92X25 mm

JF0925-00 Series

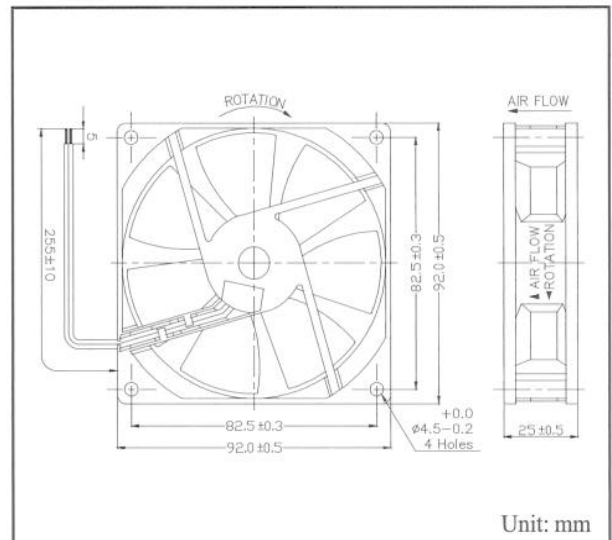
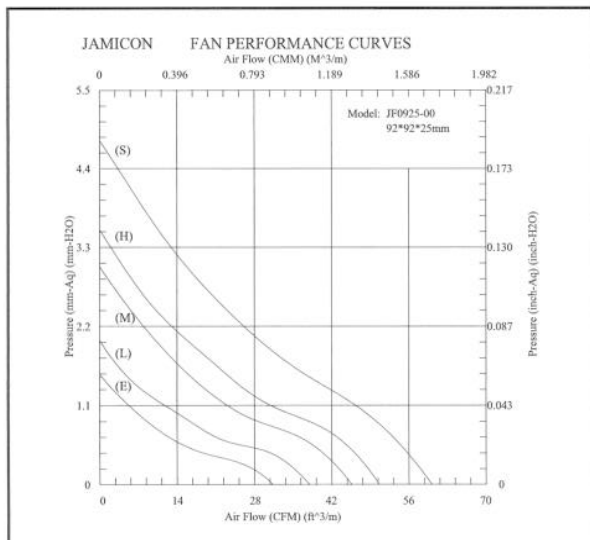


- **Frame** : Plastic Material UL 94V-0
- **Impeller** : Plastic Material UL 94V-0
- **Speed Range** : ±10%

SPECIFICATIONS

Model	Bearing	Rated Voltage (V)	Operating Voltage (V)	Air Flow (CFM)	Static Pressure (inchH ₂ O)	Speed (R.P.M.)	Input Current (Amp)	Input Power (Watt)	Nominal Current (Amp)	Noise (dBA)	Weight (g)		
JF0925B1SR00	Dual Ball	12	10.2 ~ 13.8	60.19	0.189	3200	0.31	3.72	0.32	38.7	95		
JF0925B1H-00				50.61	0.139	2800	0.25	3.00	0.35	35.1			
JF0925B1M-00				45.64	0.119	2500	0.17	2.04	0.20	32.1			
JF0925B1L-00				37.98	0.079	2100	0.13	1.56	0.16	26.9			
JF0925B1E-00				31.32	0.060	1700	0.09	1.08	0.10	21.8			
JF0925S1SR00	Sleeve			12	10.2 ~ 13.8	60.19	0.189	3200	0.31	3.72		0.32	38.7
JF0925S1H-00						50.61	0.139	2800	0.27	3.24		0.35	35.1
JF0925S1M-00						45.64	0.119	2500	0.17	2.04		0.20	32.1
JF0925S1L-00						37.98	0.079	2100	0.13	1.56		0.16	26.9
JF0925S1E-00						31.32	0.060	1700	0.09	1.08		0.10	21.8
JF0925B2SR00	Dual Ball	24	20.4 ~ 27.6			60.19	0.189	3200	0.18	4.32		0.18	38.7
JF0925B2H-00						50.61	0.139	2800	0.15	3.60		0.19	35.1
JF0925B2M-00						45.64	0.119	2500	0.11	2.64		0.15	32.1
JF0925B2L-00						37.98	0.079	2100	0.08	1.92		0.13	26.9
JF0925B2E-00						31.32	0.060	1700	0.06	1.44		0.07	21.8
JF0925S2SR00	Sleeve			24	20.4 ~ 27.6	60.19	0.189	3200	0.18	4.32		0.18	38.7
JF0925S2H-00						50.61	0.139	2800	0.15	3.60		0.19	35.1
JF0925S2M-00						45.64	0.119	2500	0.11	2.64		0.15	32.1
JF0925S2L-00						37.98	0.079	2100	0.08	1.92		0.13	26.9
JF0925S2E-00						31.32	0.060	1700	0.06	1.44		0.07	21.8
JF0925B4H-00	Dual Ball	48	40.8 ~ 60.0			50.61	0.139	2800	0.09	4.32	0.09	35.1	
JF0925B4M-00						45.64	0.119	2500	0.08	3.84	0.08	32.1	
JF0925B4L-00						37.98	0.079	2100	0.06	2.88	0.06	26.9	
JF0925B4E-00						31.32	0.060	1700	0.05	2.40	0.05	21.8	

Specifications subject to change without notice



DC FAN

JAMICON®

92X92X25 mm

JF0925-01 Series



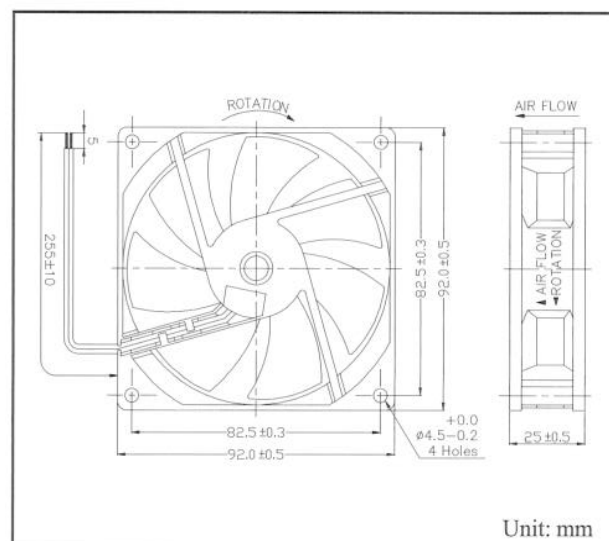
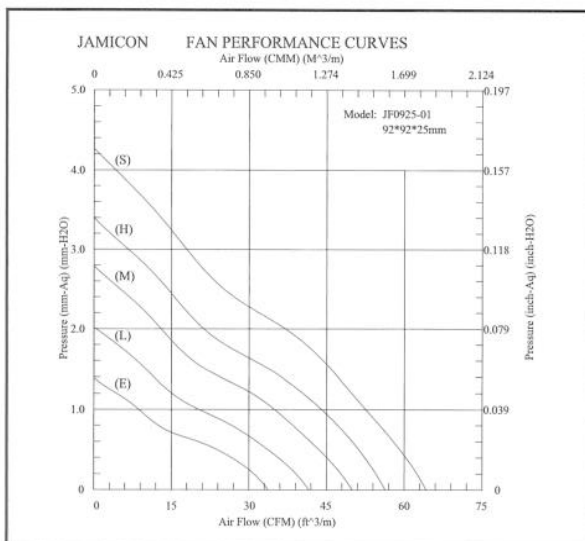
- **Frame** : Plastic Material UL 94V-0
- **Impeller** : Plastic Material UL 94V-0
- **Speed Range** : ±10%

SPECIFICATIONS

Model	Bearing	Rated Voltage (V)	Operating Voltage (V)	Air Flow (CFM)	Static Pressure (inchH ₂ O)	Speed (R.P.M.)	Input Current (Amp)	Input Power (Watt)	Nominal Current (Amp)	Noise (dBA)	Weight (g)
JF0925-1SR01	B, H	12	10.2 ~ 13.8	63.00	0.163	3100	0.32	3.84	0.32	38.2	82
JF0925-1H-01	B, H, S			56.31	0.134	2800	0.25	3.00	0.35	34.8	
JF0925-1M-01	B, H, S			49.93	0.110	2500	0.17	2.04	0.20	31.3	
JF0925-1L-01	B, H, S			41.55	0.080	2100	0.13	1.56	0.26	27.7	
JF0925-1E-01	B, H, S			33.67	0.055	1700	0.08	0.96	0.10	22.3	
JF0925-2SR01	B, H	24	20.4 ~ 27.6	63.00	0.163	3100	0.18	4.32	0.18	38.2	
JF0925-2H-01	B, H, S			56.31	0.134	2800	0.15	3.60	0.19	34.8	
JF0925-2M-01	B, H, S			49.93	0.110	2500	0.11	2.64	0.15	31.3	
JF0925-2L-01	B, H, S			41.55	0.080	2100	0.08	1.96	0.13	27.7	
JF0925-2E-01	B, H, S			33.67	0.055	1700	0.06	1.44	0.07	22.3	

Specifications subject to change without notice

The 7TH character of Model No means the bearing code. Please refer to the page "PART NUMBER SYSTEM". Please contact us for detail if your request bearing system is not shown in the above list.



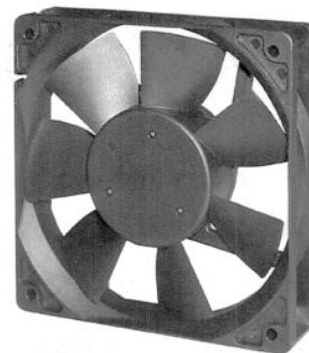
Unit: mm

DC FAN

JAMICON®

120X120X25 mm

JF1225-00 Series

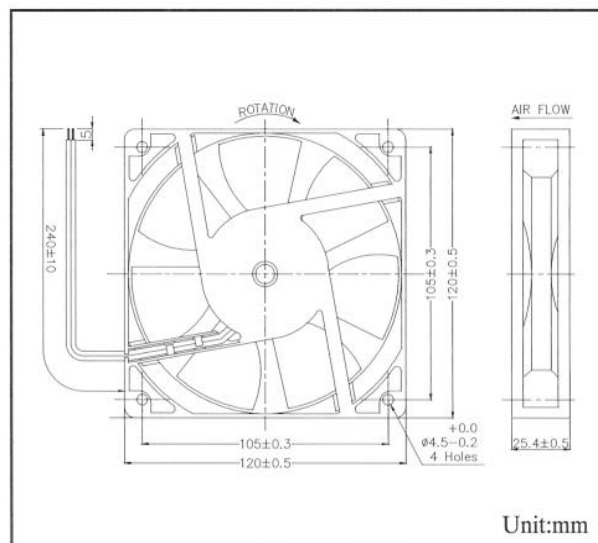
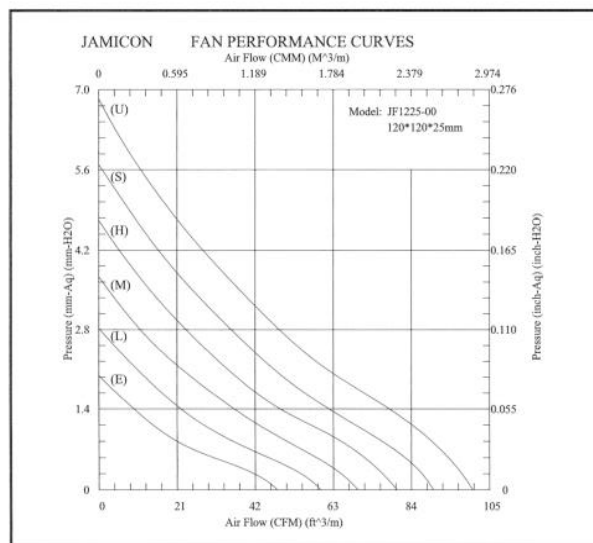


- **Frame** : Plastic Material UL 94V-0
- **Impeller** : Plastic Material UL 94V-0
- **Speed Range** : ±10%

SPECIFICATIONS

Model	Bearing	Rated Voltage (V)	Operating Voltage (V)	Air Flow (CFM)	Static Pressure (inchH ₂ O)	Speed (R.P.M.)	Input Current (Amp)	Input Power (Watt)	Nominal Current (Amp)	Noise (dBA)	Weight (g)					
JF1225B1UR00	Dual Ball	12	10.2 ~ 13.8	100.50	0.269	3000	0.50	6.00	0.50	45.7	135					
JF1225B1SR00				89.87	0.224	2700	0.37	4.44	0.37	42.8						
JF1225B1H-00				80.11	0.186	2400	0.25	3.00	0.30	39.5						
JF1225B1M-00				69.57	0.147	2100	0.19	2.28	0.25	36.3						
JF1225B1L-00				59.57	0.111	1800	0.14	1.68	0.20	32.4						
JF1225B1E-00				47.88	0.078	1500	0.10	1.20	0.12	27.4						
JF1225S1H-00	Sleeve			24	20.4~27.6	80.11	0.186	2400	0.25	3.00		0.30	39.5			
JF1225S1M-00						69.57	0.147	2100	0.20	2.40		0.25	36.3			
JF1225S1L-00						59.57	0.111	1800	0.14	1.68		0.20	32.4			
JF1225S1E-00						47.88	0.078	1500	0.10	1.20		0.12	27.4			
JF1225B2UR00						Dual Ball	48	40.8 ~ 60.0	100.50	0.269		3000	0.28	6.72	0.28	45.7
JF1225B2SR00									89.87	0.224		2700	0.21	5.04	0.21	42.8
JF1225B2H-00	80.11	0.186	2400						0.20	4.80		0.25	39.5			
JF1225B2M-00	69.57	0.147	2100						0.14	3.36		0.20	36.3			
JF1225B2L-00	59.57	0.111	1800						0.11	2.64		0.15	32.4			
JF1225B2E-00	47.88	0.078	1500						0.08	1.92		0.10	27.4			
JF1225S2H-00	Sleeve	48	40.8 ~ 60.0			80.11			0.186	2400		0.20	4.80	0.25	39.5	
JF1225S2M-00						69.57			0.147	2100		0.14	3.36	0.20	36.3	
JF1225S2L-00				59.57	0.111	1800			0.11	2.64		0.15	32.4			
JF1225S2E-00				47.88	0.078	1500			0.08	1.92		0.10	27.4			
JF1225B4U-00				Dual Ball	48	40.8 ~ 60.0			100.50	0.269		3000	0.14	6.72	0.14	45.7
JF1225B4S-00									89.87	0.224		2700	0.12	5.76	0.12	42.8
JF1225B4H-00	80.11						0.186	2400	0.10	4.80		0.10	39.5			
JF1225B4M-00	69.57						0.147	2100	0.08	3.84		0.08	36.3			
JF1225B4L-00	59.57						0.111	1800	0.07	3.36	0.07	32.4				
JF1225B4E-00	47.88						0.078	1500	0.06	2.88	0.06	27.4				

Specifications subject to change without notice



DC FAN

JAMICON®

120X120X25 mm

KF1225-01 Series

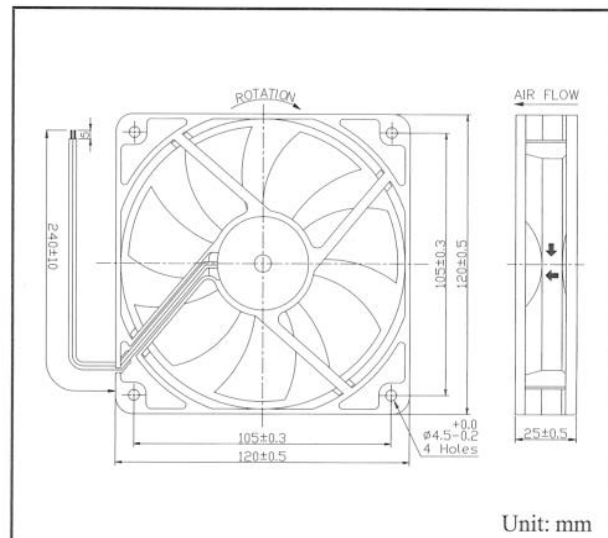
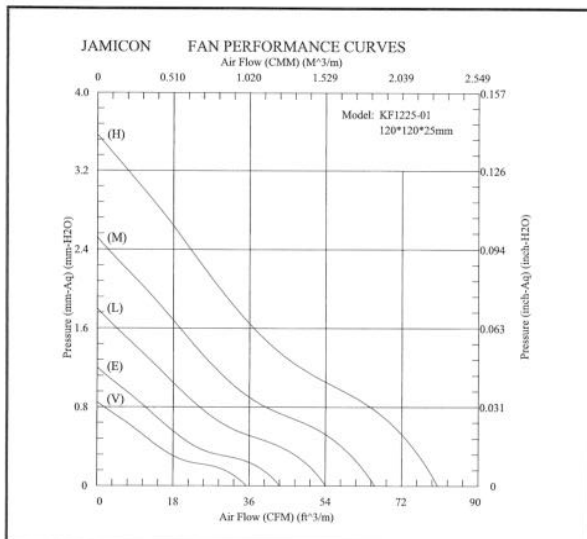


- **Frame** : Plastic Material UL 94V-0
- **Impeller** : Plastic Material UL 94V-0
- **Speed Range** : ±10%

SPECIFICATIONS

Model	Bearing	Rated Voltage (V)	Operating Voltage (V)	Air Flow (CFM)	Static Pressure (inchH ₂ O)	Speed (R.P.M.)	Input Current (Amp)	Input Power (Watt)	Nominal Current (Amp)	Noise (dBA)	Weight (g)
KF1225B1H-01	Dual Ball	12	10.2~13.8	80.49	0.141	2200	0.30	3.60	0.35	38.5	126
KF1225B1M-01				65.63	0.099	1800	0.19	2.28	0.20	32.5	
KF1225B1L-01				54.05	0.071	1500	0.13	1.56	0.14	27.4	
KF1225B1E-01				43.23	0.047	1200	0.07	0.84	0.09	21.4	
KF1225B1V-01				35.37	0.033	1000	0.06	0.72	0.07	15.5	
KF1225S1H-01	Sleeve			80.49	0.141	2200	0.30	3.60	0.35	38.5	
KF1225S1M-01				65.63	0.099	1800	0.19	2.64	0.20	32.5	
KF1225S1L-01				54.05	0.071	1500	0.13	1.80	0.14	27.4	
KF1225S1E-01				43.23	0.047	1200	0.07	0.84	0.09	21.4	
KF1225S1V-01				35.37	0.033	1000	0.06	0.72	0.07	15.5	

Specifications subject to change without notice



Unit: mm

DC FAN

JAMICON®

120X120X38 mm

JF1238-11 Series

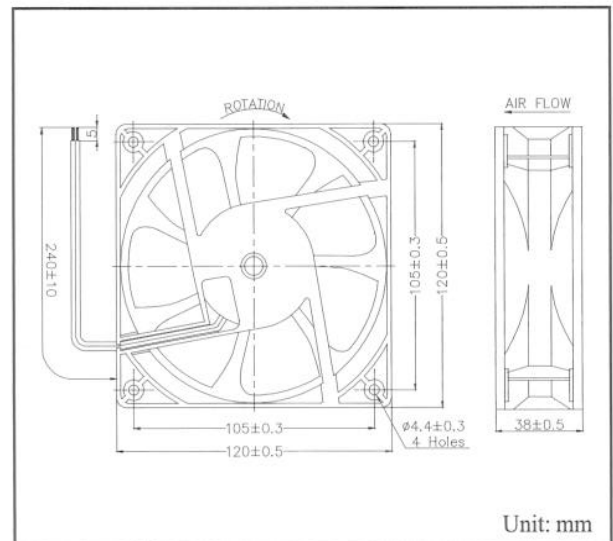
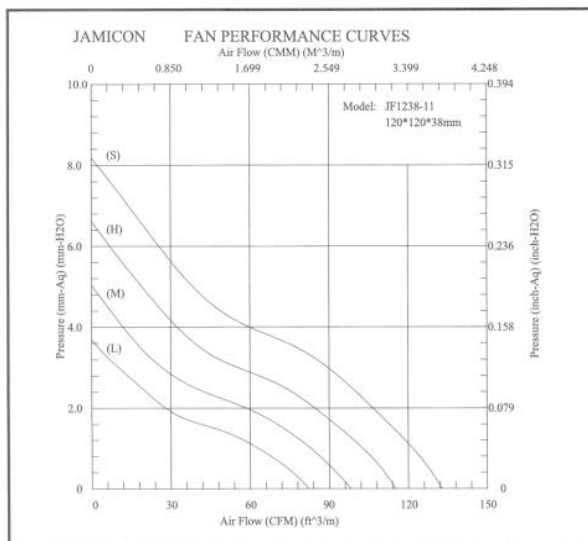


- **Frame** : Plastic Material UL 94V-0
- **Impeller** : Plastic Material UL 94V-0
- **Speed Range** : ±10%

SPECIFICATIONS

Model	Bearing	Rated Voltage (V)	Operating Voltage (V)	Air Flow (CFM)	Static Pressure (inchH ₂ O)	Speed (R.P.M.)	Input Current (Amp)	Input Power (Watt)	Nominal Current (Amp)	Noise (dBA)	Weight (g)
JF1238B1SR11	Dual Ball	12	10.2~ 13.8	132.68	0.322	3200	0.67	8.04	0.80	46.8	266
JF1238B1HR11				115.25	0.261	2800	0.44	5.28	0.80	43.4	
JF1238B1MR11				98.13	0.198	2400	0.30	3.60	0.45	40.3	
JF1238B1LR11				82.08	0.145	2000	0.20	2.40	0.34	34.9	
JF1238S1HR11	Sleeve			115.25	0.261	2800	0.44	5.28	0.80	43.4	
JF1238S1MR11				98.13	0.198	2400	0.30	3.60	0.45	40.3	
JF1238S1L1R11				82.08	0.145	2000	0.20	2.40	0.34	34.9	
JF1238B2SR11				Dual Ball	132.68	0.322	3200	0.38	9.12	0.39	
JF1238B2HR11	115.25	0.261	2800		0.30	7.20	0.39	43.4			
JF1238B2MR11	98.13	0.198	2400		0.18	4.32	0.25	40.3			
JF1238B2LR11	82.08	0.145	2000		0.10	2.40	0.16	34.9			
JF1238S2HR11	Sleeve	115.25	0.261	2800	0.30	7.20	0.39	43.4			
JF1238S2MR11		98.13	0.198	2400	0.18	4.32	0.25	40.3			
JF1238S2LR11		82.08	0.145	2000	0.10	2.40	0.16	34.9			
JF1238B4SR11		Dual Ball	132.68	0.322	3200	0.21	10.08	0.21	46.8		
JF1238B4HR11	115.25		0.261	2800	0.16	7.68	0.21	43.4			
JF1238B4MR11	98.13		0.198	2400	0.12	5.76	0.16	40.3			
JF1238B4LR11	82.08		0.145	2000	0.08	3.84	0.12	34.9			

Specifications subject to change without notice



DC FAN

JAMICON®

172X172X51 mm

JF1751-00 Series



- **Frame** : Aliminum Alloy, Painted Black
- **Impeller** : Plastic Material UL 94V-0
- **Speed Range** : ±10%

SPECIFICATIONS

Model	Bearing	Rated Voltage (V)	Operating Voltage (V)	Air Flow (CFM)	Static Pressure (inchH ₂ O)	Speed (R.P.M.)	Input Current (Amp)	Input Power (Watt)	Nominal Current (Amp)	Noise (dBA)	Weight (g)
JF1751B4SP00	Two ball	48	28~60	240	0.748	3400	0.42	20.16	0.5	57	750

