



Panel Type

DIN Rail Type

MTC-3 Series 3 In 1 Controller Timer + Counter + Tachometer

Multi-Function LCD Digital Timer / Counter / Tachometer

- ① High quality 6 digit LCD screen display with backlit
- ① Conform to the key design of ergonomics
- ① Five key protection modes
- ① EEPROM (overwrites: 100,000 times min.)
- ① NPN/PNP switchable DC - voltage input
- ① Support MODBUS protocol (Option)
- ① 12VDC external supply power can drive the external optical sensors, such as encoder, infrared switches etc..

Product Function

Software Support & Communication

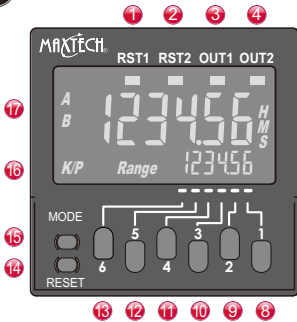
- Free PC Software MTC SET:**
Quick setting and real time monitoring
- Support MODBUS protocol (Option):**
Support RS-232/RS-485/RS-422 communication Interface mode
A variety of alternative communication format:
Communication rate: 1200~57600bps,
Date Bit: 7/8bit,
Parity check: N/O/E,
Stop bit: 1/2bit



MTC-3 Series

Nomenclature

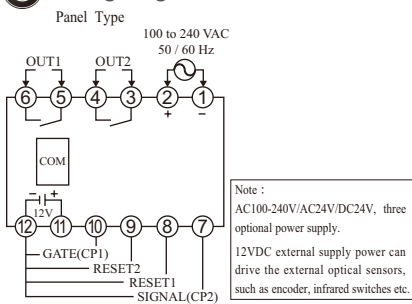
Panel Function



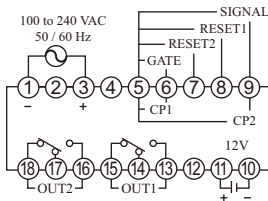
- 1 2 Reset Indicator
- 3 4 Control Output Indicator
- 5 Present Value (character height: 9 mm)
- 6 Display time unit (no display if choosing counter)
- 7 Set Value (character height: 4mm)
- 8 The first setting key
- 9 The second setting key
- 10 The third setting key
- 11 The fourth setting key
- 12 The fifth setting key
- 13 The sixth setting key
- 14 Reset key (resets present value and output)
- 15 Mode key (changes modes and setting items)
- 16 Key Protection Indicator (the default value is OFF)
- 17 Set value (Range) A,B display

Wiring Diagram & Installation Dimension

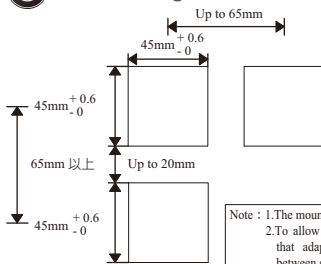
Wiring Diagram



Module Type

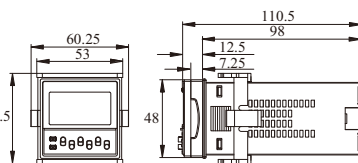


Cutout Diagram

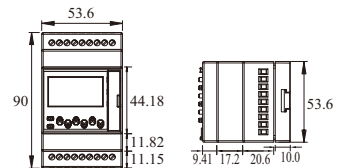


Installation Dimension Unit : mm

Dimensions with flush mounting adapter



Use a standard 35mm DIN rail for installation



Order Information

MTC - -
A B C D E F

- A. Maxtech :** Timer / Conuter/ Tachomer
- B. Functions :**
3 - Timer / Conuter/ Tachomer all in 1
- C. Output type :**
1 - Relay
2 - Transistor

- D. Communication :**
1 - None
2 - RS-232
3 - RS-422
4 - RS-485
- E. Installation :**
1 - DIN rail
2 - Panel 148x48mm

- F. Power :**
A - AC100~240V, 50/60 Hz
D - DC24V / AC24V
- Accessories :**
1 - MTCC-015232M (RS-232 Communication cable)
2 - MTCC-015422M (RS-422 Communication cable)
3 - MTCC-015485M (RS-485 Communication cable)



MAXTHERMO - GITTA GROUP CORPORATION
MAXIMUM ELECTRONIC CO., LTD

Taipei World Trade Center
Add: 3C25, Taipei World Trade Center, No. 5, Sec. 5, Hsin Yi Rd. Taipei Taiwan, R.O.C.
Tel: +886-2-27206601 (Rep.) Fax: +886-2-23455120
Factory
Add: 11F., No.168, Jiakang Rd., Zhonghe City, Taipei County 235, Taiwan, R.O.C.
Tel: +886-2-22287950 (Rep.) Fax: +886-2-22286140
Thailand Office - THAI MAXIMUM ELECTRONIC CO., LTD
Tel: +662-415-8318 , +662-417-2548-49 Fax: +662-415-8798
E-mail: gitta@ms9.hinet.net Website : www.maxthermo.com

