

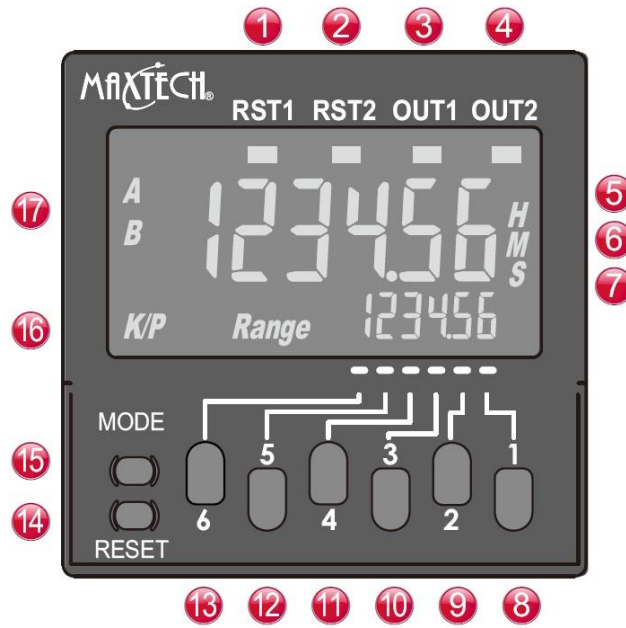
MTC-3 Series 3 In 1 Controller



Features


1. Timer/Counter/Tachometer All in one
2. EEPROM (overwrites: 100,000 times min.)
3. High quality 6 digit LCD screen display with backlit
4. NPN/PNP switchable DC-voltage input
5. Conform to the key design of ergonomics
6. Support MODBUS protocol (Option)
7. Five key protection modes
8. 12VDC external supply power can drive the external optical sensors, such as encoder, infrared switches etc.

Panel Function



1	Reset Indicator	10	The third setting key
2		11	The fourth setting key
3	Control Output Indicator	12	The fifth setting key
4		13	The sixth setting key
5	Present Value (character height: 9mm)	14	Reset key (resets present value and output)
6	Display time unit (no display if choosing counter)	15	Mode key (change modes and setting items)
7	Set Value (character height: 4mm)	16	Key Protection Indicator (the default value is OFF)
8	The first setting key	17	Set value (Range) A, B display
9	The second setting key		

Standard Specification

MTC-3		
Product	Panel Type	DIN Rail Type
		
Rated supply voltage	100~240VAC (50/60Hz), 24VAC (50/60Hz), 24VDC (permissible ripple: 20% (p-p) max.)	
Operating voltage range	85% to 110% rated supply voltage (24VDC; 90% to 110%)	
Power consumption	Approx. 6.2VA at 264VAC, Approx. 5.1VA at 26.4VAC, Approx. 2.4W at 24VDC	
Digits	6 digits, PV/SV (-99,999~999,999)	
Input signals	Timer: CP1, CP2, Reset 1 ; Counter/Tachometer: CP1, CP2, Reset 1, Reset 2	
Input method	<p>No-voltage input/voltage input (switchable)</p> <p><u>No-voltage input:</u> ON impedance: 1kΩ max. (leakage current: 5~20 mA when 0Ω) ON residual voltage: 3V max. OFF impedance: 100kΩ min.</p> <p><u>Voltage Input:</u> High(logic) level: 4.5 to 30 VDC Low(logic) level: 0 to 2 VDC (Input resistance: approx. 4.7 kΩ)</p>	
Reset input	Minimum input signal width: 1 or 20 ms (selectable, same setting for all inputs)	
Sensor waiting time	Approx. 250 ms (control output is turned OFF and no input is accepted during sensor waiting time)	
Output method	Relay/transistor output	
External power supply	12VDC (15%), 80mA	
Memory backup	EEPROM (overwrites: 100,000 times min.) that can store data for 10 years min.	
Ambient temperature	Operating: -10 to 55°C (with no icing or condensation) Storage: -25 to 65°C (with no icing or condensation)	
Ambient humidity	25% to 85%	

Control output	<p>SPDT contact output: 5A at 250 VAC, resistive load ($\cos\Phi=1$)</p> <p>Minimum applied load: 10 mA at 5 VDC (failure level: P, reference value)</p> <p>Transistor output: NPN open collector, max. 100mA at 30 VDC</p> <p>Residual voltage: 1.5 VDC max. (approx. 1V)</p> <p>Output category according to EN60947-5-1 for timers with Contact outputs (AC-15; 250V 3A / AC-13; 250V 5A / DC-13; 30V 0.5A)</p> <p>Output category according to EN60947-5-2 for timers with Transistor outputs(DC-13; 30V 100 mA)</p> <p>NEMA B300 Pilot Duty, 1/4 HP 5-A resistive load at 120 VAC, 1/3 HP 5-A resistive load at 240VAC</p>
-----------------------	--

Product Function

1. Free PC Software MTC SET:

Quick setting and real time monitoring

2. Support MODBUS protocol (Option)

Support RS-232/ RS-485/ RS-422 communication Interface mode.

A variety of alternative communication format:

Communication rate: 1200~57600bps,

Date Bit: 7/8bit,

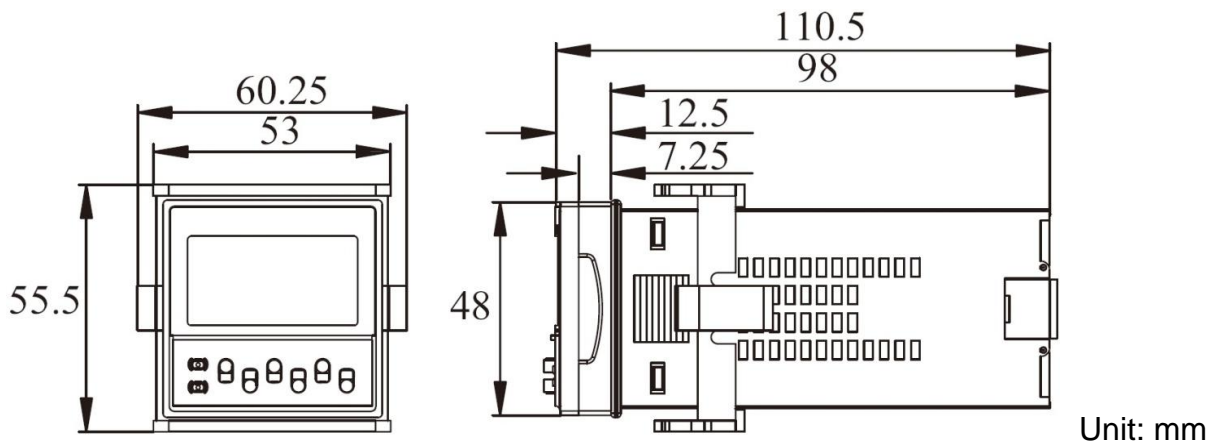
Parity check: N/O/E,

Stop bit: 1/2bit



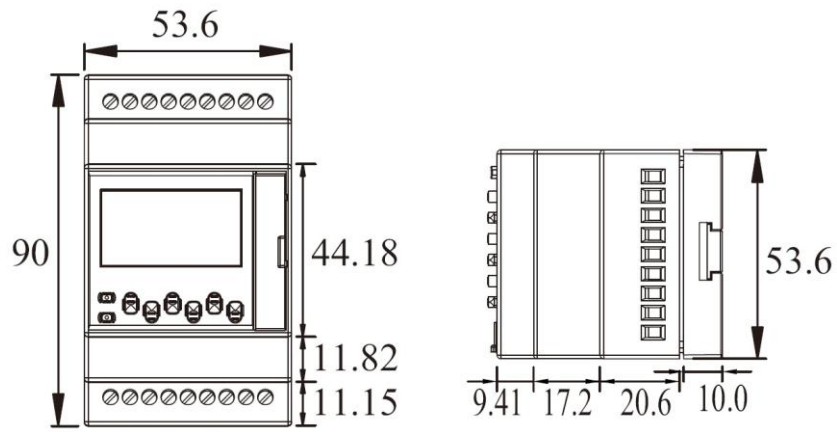
Installation Dimension

Dimensions with flush mounting adapter



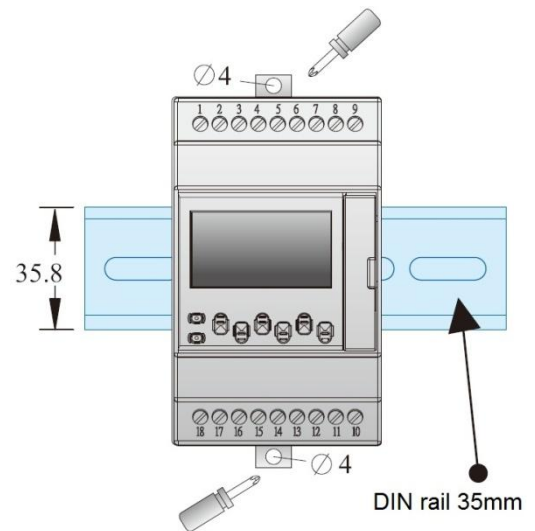
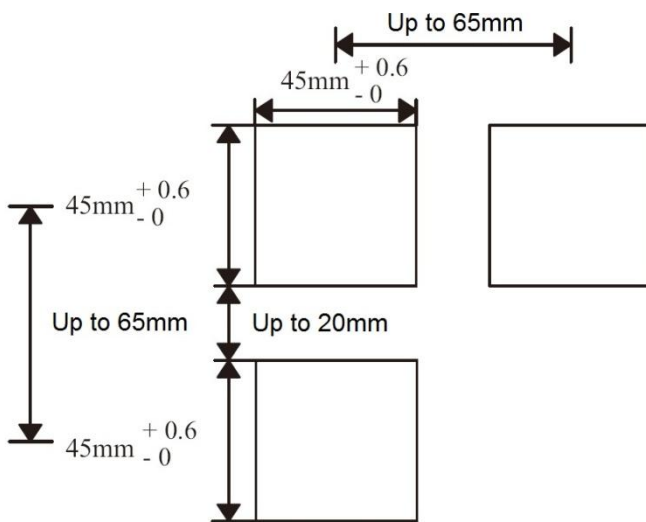
Unit: mm

Use a standard 35mm DIN rail for installation



Unit: mm

Cutout Diagram

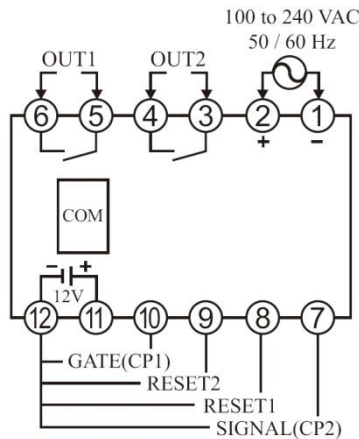


Note:

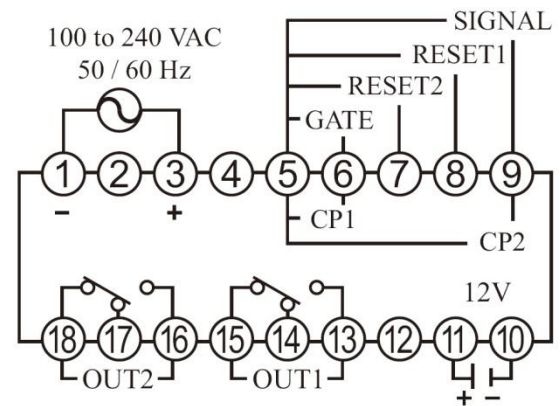
1. The mounting panel thickness should be 1.5mm.
2. To allow easier operability, it is recommended that the gap between sides with hooks is at least 20mm.
3. It is possible to mount counters side by side, but only in the direction without the hooks.

Wiring Diagram

Panel Type



Module Type



Note:

AC100~240V/AC24V/DC24V, three optional power supply.

12VDC external supply power can drive the external optical sensors, such as encoder, infrared switches etc.

Order Information

MTC - -
 A B C D E F

A. Maxtech: Timer/Counter/Tachometer

B. Functions:

3- Timer/Counter/Tachometer all in 1

C. Output type:

- 1- Relay
- 2- Transistor

D. Communication:

- 1- None
- 2- RS-232
- 3- RS-422
- 4- RS-485

E. Installation:

- 1- DIN rail
- 2- Panel 48x48mm

F. Power:

- A- AC100~240V, 50/60 Hz
- B- DC24V/ AC24V

Accessories:

- 1- MTCC-015232M
(RS-232 Communication cable, Panel type use)
- 2- MTCC-015422M
(RS-422 Communication cable, Panel type use)
- 3- MTCC-015485M
(RS-485 Communication cable, Panel type use)
- 4- MTCC-015232M-D
(RS-232 Communication cable, DIN rail type use)
- 5- MTCC-015422M-D
(RS-422 Communication cable, DIN rail type use)
- 6- MTCC-015485M-D
(RS-485 Communication cable, DIN rail type use)

Contact

Taipei World Trade Center

Add: 3C25, Taipei World Trade Center, No. 5, Sec. 5, Hsin Yi Rd. Taipei Taiwan, R.O.C.

Tel: 886-2-27206601 (Rep.)

Fax: 886-2-23455120

E-mail: gitta@ms9.hinet.net

<http://www.maxthermo.com>

Factory

Add: 11F., No.168, Jiankang Rd., Zhonghe Dist., New Taipei City 235, Taiwan (R.O.C.)

Tel: 886-2-22287950 (Rep.)

Fax: 886-2-22286140

Thailand Office - THAI MAXIMUM ELECTRONIC CO., LTD

Add: 86/132-133 m.7 Samaedum Bangkoontien Bangkok 10150 Thailand.

Tel: +662-415-8318 , +662-417-2548-49

Fax: +662-415-8798

<http://www.thaimaximum.com>