

Digital Timer



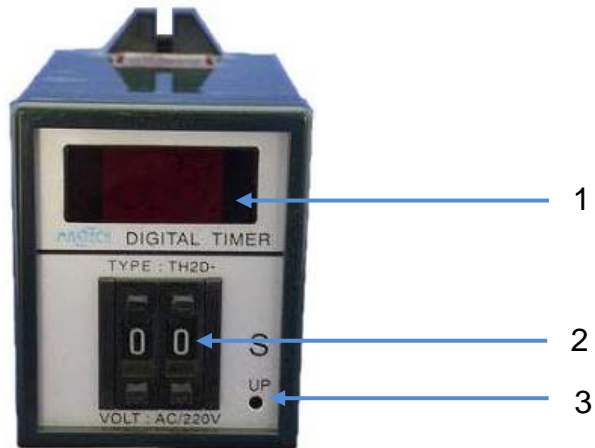
Application

Plastic, rubber, equipment	Semiconductor electronic components industry	Food related industry
Injection molding machinery Extruding machinery Mold temperature controllers Vacuum forming Blow molding (Thermo foaming)	Preheater Cleaning equipment Mold equipment Bonding machine Diffusion equipment	Refrigerating machine (General, for fishing vessel) Dryer Humidifier Bakery, confectionery equipment
Electric furnaces	Pottery manufacturing Ceramic and Glass industry	Packing machine industry
Baking furnace Heavy oil, gas furnaces Incinerator Aluminum, tin, lead, zinc melting furnace Vacuum furnace	Ceramic industry Glass industry Porcelain enameling Grind stone manufacturing	Bag-making machinery Filling packing machinery Hot blast sealing Shrinking packing machinery

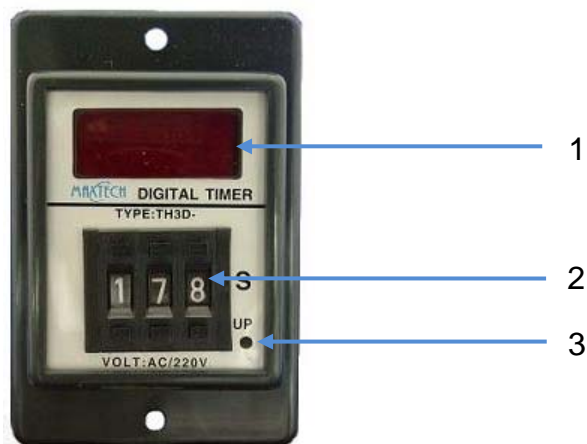
Features

1. Surface (N Type) or Flush (Y Type) is by order.
2. TH2D : 2 Digits; TH3D : 3 Digits.

Panel Function





MARKS/DESCRIPTION DESCRIPTION		
1	Digital Indicator	2 digit. LED display
2	Main Control Setting	Set time
3	Main Control Indicator	Red LED Twinkling Shows "OFF"



MARKS/DESCRIPTION DESCRIPTION		
1	Digital Indicator	3 digit. LED display
2	Main Control Setting	Set time
3	Main Control Indicator	Red LED Twinkling Shows "OFF"

Standard Specification

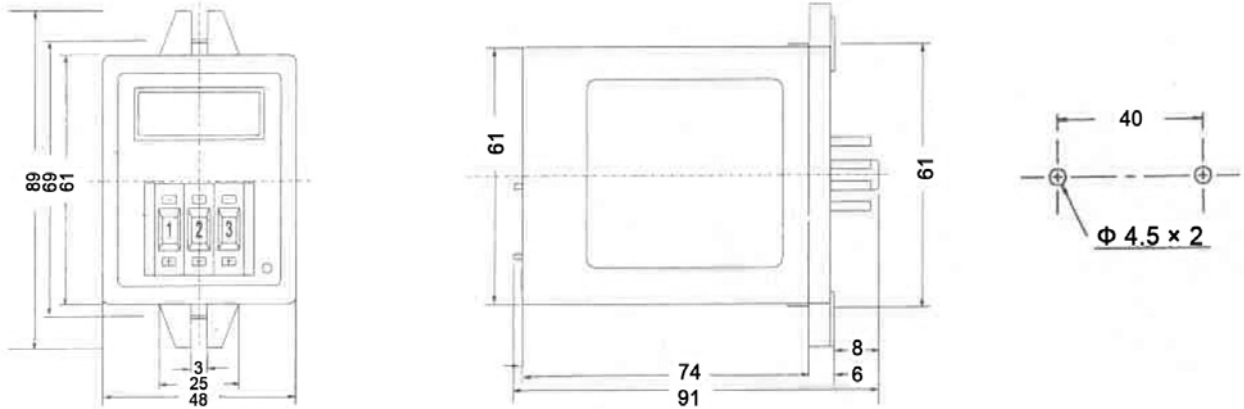
Model		TH2D			TH3D		
Products							
Type		Surface	Flush		Surface	Flush	
Dimension		60Hx48Wx79D (mm)	88Hx58Wx79D (mm)		60Hx48Wx79D (mm)	88Hx58Wx79D (mm)	
Mounting & Socket	Surface(-N)	8PFA	x		8PFA	x	
	(-Y)	x	US08 or P3G-08		x	US08 or P3G-08	
Full Timing Range		SEC: 9.9, 99 MIN: 9.9, 99 HR: 9.9, 99			SEC: 9.99, 99.9, 999 MIN: 99.9, 999 HR: 99.9, 999		
Rated Voltage		DC(V): 12, 24 AC(V): 12, 24, 110, 220, 240, 50/60Hz			DC(V): 12, 24 AC(V): 12, 24, 110, 220, 240, 50/60Hz		
Contact	Model	A	B	C	A	B	C
	Time Limit 1C	5A	x	5A	5A	x	5A
	Time Limit 1C	x	5A	x	x	5A	x
	Instantaneous 1C	5A	x	x	5A	x	x
Mechanical Life		5x10 ⁶ TIMES			5x10 ⁶ TIMES		
Electrical Life		10 ⁵ TIMES			10 ⁵ TIMES		
Accuracy	Repeat Error	±0.05 SEC			±0.05 SEC		
	Setting Error	0			0		
	Voltage Error	±0.05 SEC			±0.05 SEC		
	Temp Error	±0.05 SEC			±0.05 SEC		
Resetting Time		0.3 SEC MAX			0.3 SEC MAX		
Consumed Power		3VA			3VA		
Ambient Temperature		-10°C~+55°C			-10°C~+55°C		
Ambient Humidity		45~85% RH			45~85% RH		
Weight		230G			230G		

External Dimension

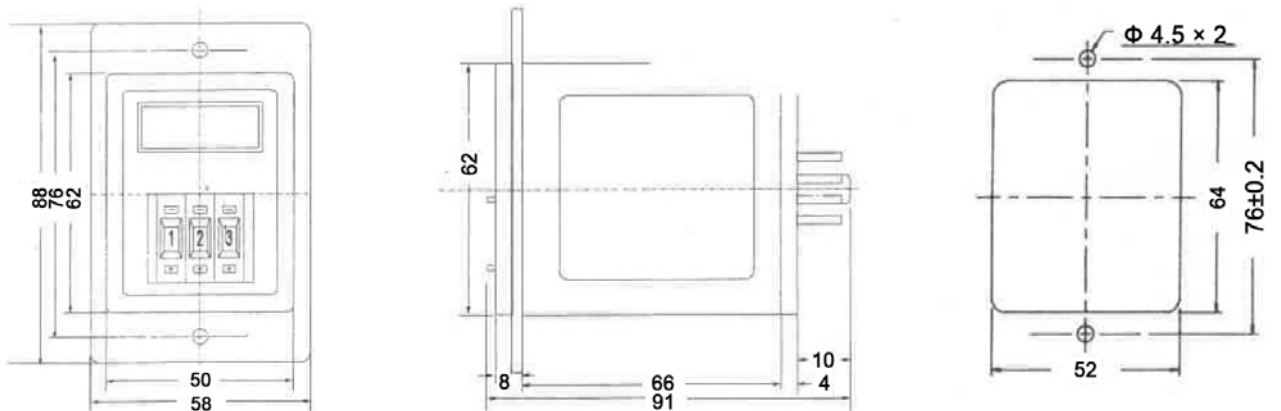
Unit : mm

TH2D

Surface

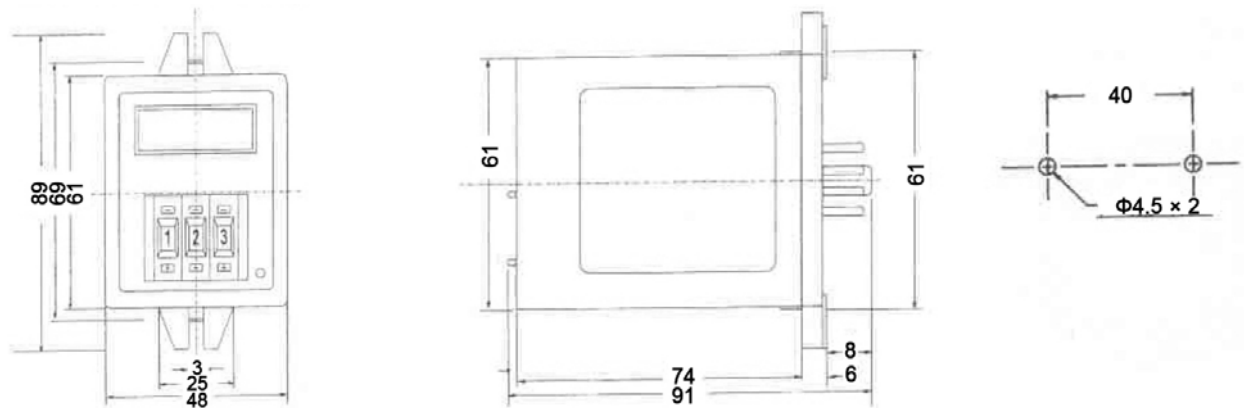


Flush

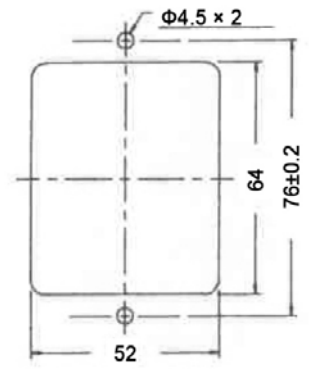
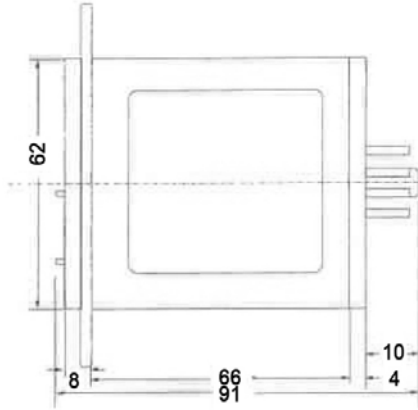
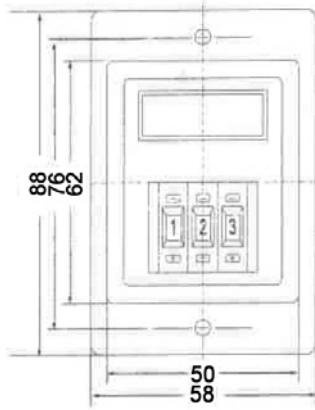


TH3D

Surface



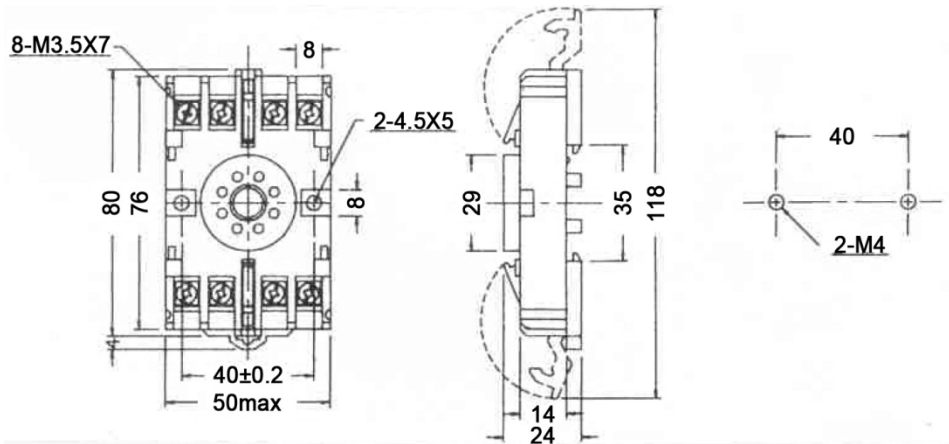
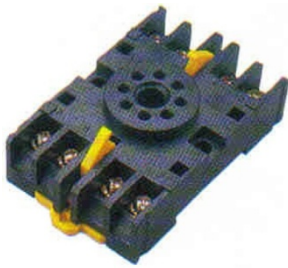
Flush



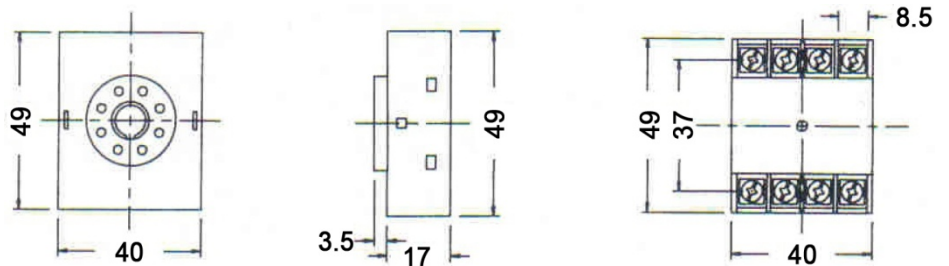
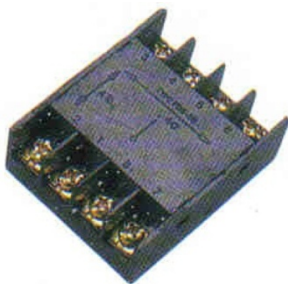
Socket & Wiring Diagram

Unit : mm

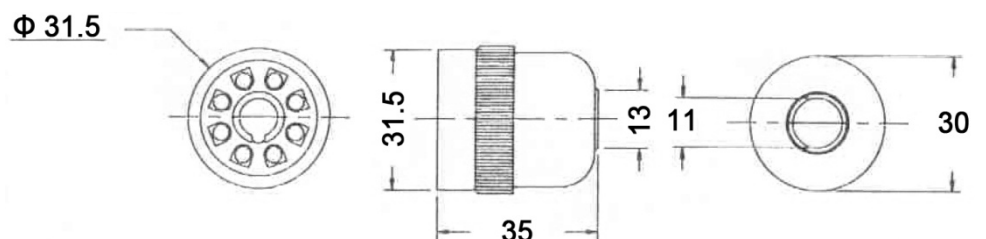
8PFA



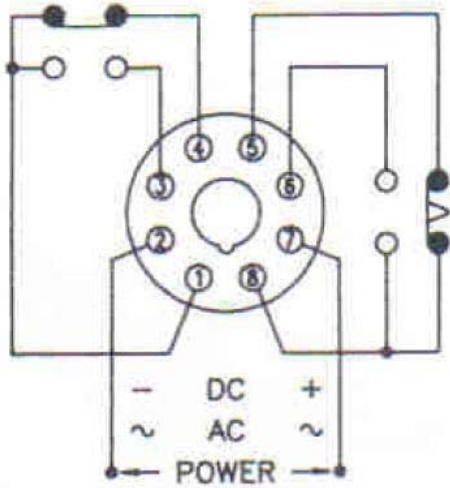
P3G-08



US08



TH2D-A&TH3D-A



POWER (2-7)

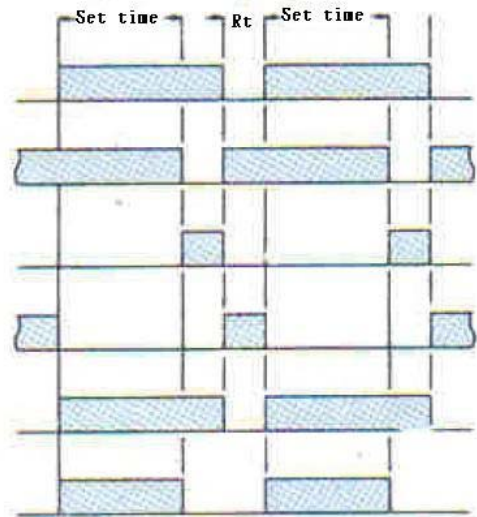
NC (8-5)

NO (8-6)

NC (1-4)

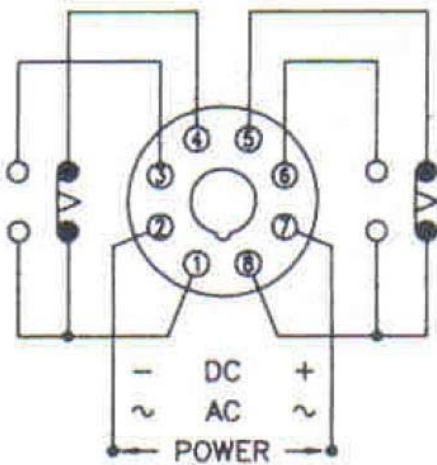
NO (1-3)

LAMP



Rt : Resetting time

TH2D-B&TH3D-B



POWER (2-7)

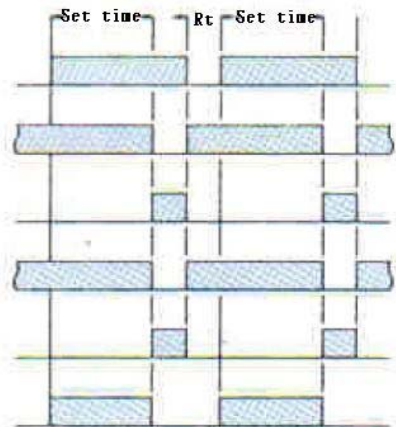
NC (8-5)

NO (8-6)

NC (1-4)

NO (1-3)

LAMP



Rt : Resetting time

Contact

Taipei World Trade Center

Add: 3C22-23 & 3C25-26, Taipei World Trade Center, No. 5, Sec. 5, Hsin Yi Rd. Taipei Taiwan, R.O.C.

Tel: 886-2-27206601 (Rep.)

Fax: 886-2-23455120

E-mail: gitta@ms9.hinet.net

<http://www.maxthermo.com>

Factory

Add: 11F., No.168, Jiankang Rd., Zhonghe Dist., New Taipei City 235, Taiwan (R.O.C.)

Tel: 886-2-22287950 (Rep.)

Fax: 886-2-22286140

Thailand Office - THAI MAXIMUM ELECTRONIC CO., LTD

Add: 86/132-133 m.7 Samaedum Bangkoontien Bangkok 10150 Thailand.

Tel: +662-415-8318 , +662-417-2548-49

Fax: +662-415-8798

<http://www.thaimaximum.com>