

# LOW-VOLTAGE CURRENT TRANSFORMERS



# CONTENTS

General specification of low-voltage current transformers.....	3
LCTM - wound primary series.....	5
LCTR - round conductor series.....	6
LCTB 45 - busbar series.....	8
LCTB 50 - busbar series.....	9
LCTB 62 - busbar series.....	11
LCTB 74 - busbar series.....	13
LCTB 86 - busbar series.....	15
LCTB 100 - busbar series.....	16
LCTB 104 - busbar series.....	17
LCTB 140 - busbar series.....	18
LCTB 225 - busbar series.....	20
LCTS - split core.....	21
Accessories.....	22

# LOW-VOLTAGE CURRENT TRANSFORMERS

**Current transformer** is used for measurement of electric alternating currents. When current in a circuit (primary current) is too high to directly apply to measuring instruments, a current transformer produces a reduced current (secondary current) accurately proportional to the current in the circuit, which can be conveniently connected to measuring and recording instruments. A current transformer also isolates the measuring instruments from what may be very high voltage in the monitored circuit. Relationship between primary and secondary currents is called rated transformation ratio.



$$I_1 = I_2 \cdot \frac{N_2}{N_1}$$

where:  $I_1$  - primary current,  $I_2$  - secondary current,  $N_1$  - number of turns of primary winding,  $N_2$  - number of turns of secondary winding,  $N_2/N_1$  - rated transformation ratio  
Current transformers are used mainly in such a way that the cable from the measured shock or bus current passes through the main hole transformer, which is equivalent to one coil primary winding. In this case, the above equation simplifies to:

$$I_1 = I_2 \cdot N_2$$

The task is to reduce the transformer output current for currents of over 120% of measurement range, to protect against destruction of measuring devices connected to the transformer in case of surges or failures in the primary circuit.

## FEATURES:

- Wide range of accuracy classes: 0.2S, 0.2, 0.5, 1
- Wide range of supported primary currents, the dimensions of rails, the length of casing and hole diameters.
- Multiple mounting methods, including wall mounting, DIN rail 35mm, the conductor, a current bar.
- Shields designed to seal connections.

## GENERAL SPECIFICATION

<b>Applicable standard:</b>	IEC/EN 60044 -1, BS 3938, IS 2705 -1
<b>Case:</b>	10% glass filled polycarbonate, flame retardant grades classified UL 94V-0
<b>Connection:</b>	Two connection on each side. M4 screws with self lifting clamp strap.
<b>Insulation class</b>	E (120°C max)
<b>System voltage:</b>	720 V maximum
<b>Operating frequency:</b>	50 Hz
<b>Rated primary rating:</b>	1 A...7500 A
<b>Rated secondary output:</b>	5 A or 1 A
<b>Rated burden:</b>	1, 1.25, 1.5, 2.5, 3.75, 5, 7.5, 10, 12.5, 15, 20, 30, 45, 60, 100 VA
<b>Accuracy class:</b>	0.2, 0.2S – for laboratory and power measurement 0.5 – for accurate measuring 1 – for general measurement, for analog meters
<b>Ambient temperature:</b>	-20°C ...+45°C
<b>Storage temperature:</b>	-50°C...+80°C
<b>Thermal short circuit current (<math>I_{th}</math>):</b>	40 x $I_n$ for wound type 60 x $I_n$ for bus bar type
<b>Dynamic short circuit current (<math>I_{dyn}</math>):</b>	2.5 x $I_{th}$
<b>Instrument security factor (FS):</b>	2.5, 5, 10

## DEMAND FOR POWER MEASURING DEVICES:

CT users expect these devices fulfill two basic conditions:

- a high degree of accuracy in the nominal current,
- security functions with overloads.

In order to fulfill these stipulations it is necessary for the power of a current transformer offered to fully achieve the actual power requirements of the measurement set-up. In ascertaining the actual power requirements, consideration is to be made not only of the loss of power of the appliances to be connected up, but also the losses incurred by the instrument leads.

## FEATURES:

720 V

Class  
0.2  
0.2S  
0.5  
1

## OUTPUTS:

5 A

1 A

## SEE ALSO:



Analog meters  
EA series



Power network  
meters ND20 and  
ND1 type.



Digital meters  
N24Z and N25Z  
types

## Sales Department:

Tel: (+48 68) 45 75 139; 45 75 305; 45 75 321; 45 75 368;  
Fax: +48 68 32 55 650  
e-mail: [export@lumel.com.pl](mailto:export@lumel.com.pl)

„LUMEL” S.A.  
ul. Słubicka 1  
65-127 Zielona Góra  
[WWW.LUMEL.COM.PL](http://WWW.LUMEL.COM.PL)

## FEATURES:

720 V

Class  
0,2  
0,2S  
0,5  
1

## OUTPUTS:

5 A

1 A

## SEE ALSO:



Analog meters  
EA series



1- and 3-phase  
power transducers  
P41 and P43  
types.



Digital meter  
N30P type

### Sales Department:

Tel: (+48 68) 45 75 139; 45 75 305; 45 75 321; 45 75 368;  
Fax: +48 68 32 55 650  
e-mail: export@lumel.com.pl

„LUMEL” S.A.  
ul. Słubicka 1  
65-127 Zielona Góra  
[WWW.LUMEL.COM.PL](http://WWW.LUMEL.COM.PL)

Power requirements for measuring apparatus and relays:

- Analog moving-iron meters 0.7 – 1.5VA
- Rectifier current meters 0.001 – 0.250 VA
- Multi-range current meters 0.005 – 5.000 VA
- Current recorders 0.300-9.000 VA
- Bimetallic ammeters 2.5 – 3.0 VA
- Power meter 0.2 – 5.0 VA
- Power factor meter 2.0 – 6.0 VA
- Meters 0.4 – 1.0 VA
- Relays 0.2 – 6.0 VA
- Power transducers 0.5 VA
- Energy meters 2.5 VA

Internal losses of copper wiring:

$$P = \frac{I^2 \times 2 L}{q_{CU} \times 56} \text{ [VA]}$$

Where:

I – Secondary nominal current,

L – Distance in [m],

q<sub>CU</sub> – wire cross-section in [mm<sup>2</sup>].

Table for values appertaining to 5 A

q <sub>cu</sub>	1 m	2 m	3 m	4 m	5 m	6 m	7 m	8 m	9 m	10 m
2.5 mm <sup>2</sup>	0.36	0.71	1.07	1.43	1.78	2.14	2.50	2.86	3.21	3.57
4.0 mm <sup>2</sup>	0.22	0.45	0.67	0.89	1.12	1.34	1.56	1.79	2.01	2.24
6.0 mm <sup>2</sup>	0.15	0.30	0.45	0.60	0.74	0.89	1.04	1.19	1.34	1.49
10.0 mm <sup>2</sup>	0.09	0.18	0.27	0.36	0.44	0.54	0.63	0.71	0.80	0.89

Table for values appertaining to 1 A

q <sub>cu</sub>	10 m	20 m	30 m	40 m	50 m	60 m	70 m	80 m	90 m	100 m
1.0 mm <sup>2</sup>	0.36	0.71	1.07	1.43	1.78	2.14	2.50	2.86	3.21	3.57
2.5 mm <sup>2</sup>	0.14	0.29	0.43	0.57	0.72	0.86	1.00	1.14	1.29	1.43
4.0 mm <sup>2</sup>	0.09	0.18	0.27	0.36	0.45	0.54	0.63	0.71	0.80	0.89
6.0 mm <sup>2</sup>	0.06	0.12	0.18	0.24	0.30	0.36	0.42	0.48	0.54	0.60
10.0 mm <sup>2</sup>	0.04	0.07	0.11	0.14	0.18	0.21	0.25	0.29	0.32	0.36

### Factor of safety (FS)

Transformer type	FS class 0.5 and 1	Remarks	Transformer type	FS class 0.5 and 1	Remarks
Wound primary series LCTM			Busbar series LCTB		
LCTM 62/W (40)	FS 5		LCTB 74/20 (45)	FS 5	Range: 75A and 80A, FS 10, class: 0.5
LCTM 74/W (45)	FS 5		LCTB 74/30 (45)	FS 5	
Round conductor series LCTR			LCTB 74/40 (45)	FS 5	
LCTR 45/14 (40)	FS 5		LCTB 74/50 (45)	FS 5	
LCTR 50/14 (30)	FS 5		LCTB 86/40 (45)	FS 5	Range: 100A, 120A i 125A, FS 10, class: 0.5
LCTR 50/14 (50)	FS 5		LCTB 86/50 (45)	FS 5	Range: 120A and 125A, FS 10, class: 0.5
LCTR 62/R (40)	FS 5	Range: 100A, 120A and 125A, FS 10, class: 0.5	LCTB 86/60 (45)	FS 5	Range: 200A, FS 10, class: 0.5, Range: 100A, FS 10, class: 1
Busbar series LCTB			LCTB 100/100V (45)	FS 5	Range: 400A, 500A, 600A i 750A, FS 10, class: 0.5
LCTB 45/21 (40)	FS 5		LCTB 100/130V (45)	FS 5	Range: 400A, 500A and 600A, FS 10, class: 0.5
LCTB 50/21 (30)	FS 5		LCTB 104/60 (45)	FS 5	Range: 150A and 200A, FS 10, class: 0.5, Range: 100A, 120A and 125A, FS 10, class: 1
LCTB 50/30 (30)	FS 5		LCTB 104/80 (45)	FS 5	Range: 250A and 300A, FS 10, class: 0.5
LCTB 50/21 (50)	FS 5		LCTB 140/80 (45)	FS 5	
LCTB 50/30 (50)	FS 5		LCTB 140/100H (45)	FS 5	Range: 200A and 250A, FS 10, class: 0.5
LCTB 62/20 (40)	FS 5		LCTB 140/100V (45)	FS 5	Range: 200A, 250A and 300A, FS 10, class: 0.5
LCTB 62/30 (40)	FS 5		LCTB 140/130V (45)	FS 5	Range: 4000A and 5000A, FS 10, class: 0.5 and 1
LCTB 62/40 (40)	FS 5		LCTB 225/125 (50)	FS 5	
LCTB 62/30 (50)	FS 5		LCTB 225/167 (50)	FS 5	Range 1000A, 6000A and 7500A, FS 10, class: 0.5

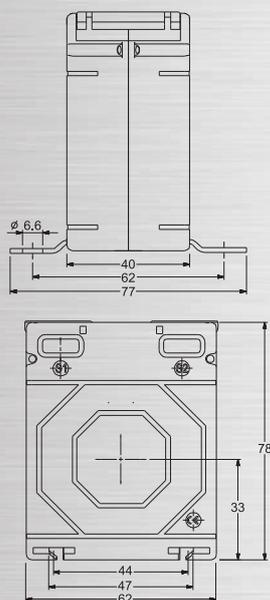
# WOUND PRIMARY SERIES - LCTM

	Type	
	LCTM 62/W (40)	LCTM 74/W (45)
Depth	62 mm	74 mm
Width	40 mm	45 mm
Primary winding	1 A...25 A	1 A...60 A
Secondary winding	1 A, 5 A	1 A, 5 A
Accuracy class	0.2; 0.5; 1	0.2; 0.5; 1

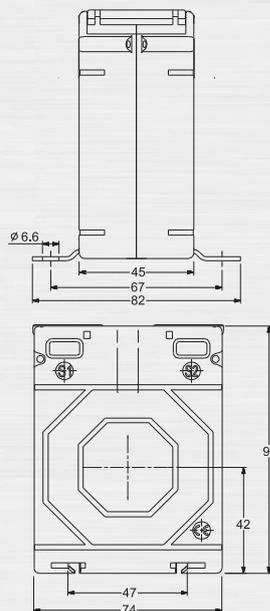


## DIMENSIONS

LCTM 62/W (40)



LCTM 74/W (45)



Transformer type	LCTM 62/W (40)			LCTM 74/W (45)		
Accuracy class:	0.2	0.5	1	0.2	0.5	1
Rated primary current	Transformer power					
1 A	1 VA	2.5 VA	5 VA	1.5 VA	5 VA	10 VA
2.5 A	1 VA	2.5 VA	5 VA	1.5 VA	5 VA	10 VA
5 A	1 VA	2.5 VA	5 VA	1.5 VA	5 VA	10 VA
7.5 A	1 VA	2.5 VA	5 VA	1.5 VA	5 VA	10 VA
10 A	1 VA	2.5 VA	5 VA	1.5 VA	5 VA	10 VA
15 A	1 VA	2.5 VA	5 VA	1.5 VA	5 VA	10 VA
20 A	1 VA	2.5 VA	5 VA	1.5 VA	5 VA	10 VA
25 A	1 VA	2.5 VA	5 VA	1.5 VA	5 VA	10 VA
30 A	-	-	-	1.5 VA	5 VA	10 VA
40 A	-	-	-	1.5 VA	5 VA	10 VA
50 A	-	-	-	1.5 VA	5 VA	10 VA
60 A	-	-	-	1.5 VA	5 VA	10 VA

### ORDER

You must give: transformer type / primary current / secondary current / power / accuracy class

Order example: LCTM 62/W (40) 25/5A, 5VA, cl. 1

### INPUT:

1 A  
...  
60 A

### OUTPUTS:

5 A 1 A

### SEE ALSO:



Analog meters  
EA series



Power network  
meters ND20 and  
ND1 type.



Digital meters  
N24Z and N25Z  
types

### Sales Department:

Tel: (+48 68) 45 75 139; 45 75 305; 45 75 321; 45 75 368;  
Fax: +48 68 32 55 650  
e-mail: export@lumel.com.pl

„LUMEL” S.A.  
ul. Słubicka 1  
65-127 Zielona Góra  
[WWW.LUMEL.COM.PL](http://WWW.LUMEL.COM.PL)

**INPUT:**

30 A  
...  
600 A

**OUTPUTS:**

5 A 1 A

**SEE ALSO:**



Analog meters  
EA series



1- and 3-phase  
power transducers  
P41 and P43  
types.



Digital meter  
N30P type

**Sales Department:**  
Tel: (+48 68) 45 75 139; 45 75 305; 45 75 321; 45 75 368;  
Fax: +48 68 32 55 650  
e-mail: export@lumel.com.pl

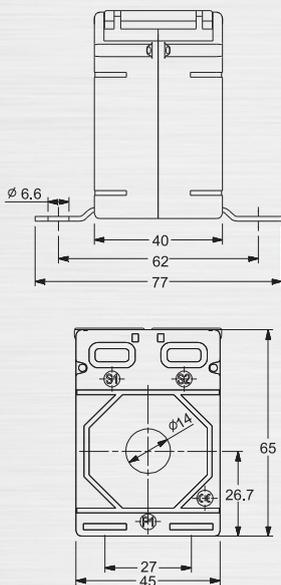
„LUMEL” S.A.  
ul. Słubicka 1  
65-127 Zielona Góra  
**WWW.LUMEL.COM.PL**



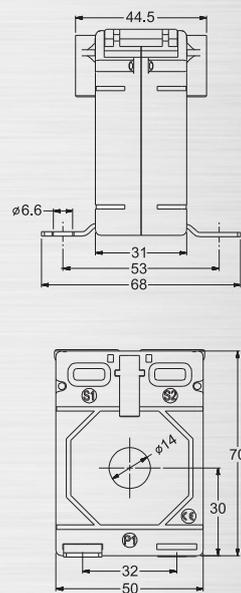
	Type			
	LCTR45/14(40)	LCTR50/14(30)	LCTR50/14(50)	LCTR62/R(40)
Hole diameter	∅ 14 mm	∅ 14 mm	∅ 14 mm	∅ 22 mm
Width	40 mm	31 mm	51 mm	40 mm
Depth	45 mm	50 mm	50 mm	62 mm
Primary winding	30 A...300 A	40 A...300 A	30 A...300 A	50 A...600 A
Secondary winding	1 A, 5 A	1 A, 5 A	1 A, 5 A	1 A, 5 A
Accuracy class	0.5; 1	0.5; 1	0.5; 1	0.2; 0.5; 1

**DIMENSIONS**

**LCTR 45/14 (40)**



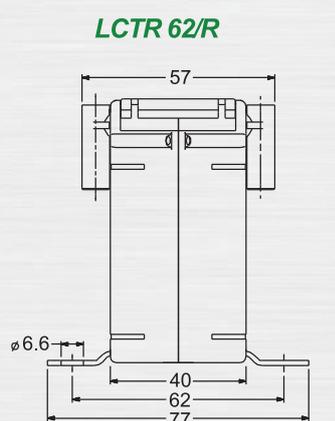
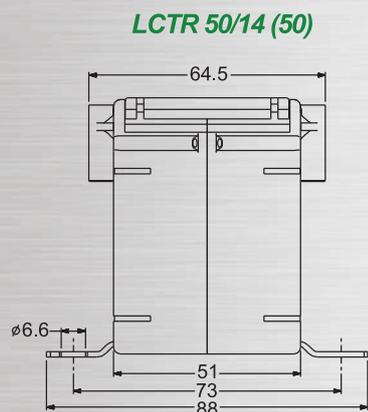
**LCTR 50/14 (30)**



Transformer type	LCTR 45/14 (40)		LCTR 50/14 (30)	
Accuracy class	0.5	1	0.5	1
Rated primary current	Transformer power			
30 A	-	1 VA	-	-
40 A	-	1 VA	-	1 VA
50 A	-	1.5 VA	-	1.5 VA
60 A	-	1.5 VA	-	1.5 VA
75 A	-	2.5 VA	-	1.5 VA
80 A	1 VA	2.5 VA	-	1.5 VA
100 A	1.5 VA	3.75 VA	2.5 VA	3.75 VA
120 A	1.5 VA	3.75 VA	2.5 VA	3.75 VA
125 A	2.5 VA	3.75 VA	2.5 VA	3.75 VA
150 A	2.5 VA	5 VA	3.75 VA	5 VA
200 A	3.75 VA	7.5 VA	3.75 VA	5 VA
250 A	5 VA	7.5 VA	5.0 VA	7.5 VA
300 A	5 VA	10 VA	7.5 VA	7.5 VA

# ROUND CONDUCTOR SERIES - **LCTR**

## DIMENSIONS



### INPUT:

30 A  
...  
600 A

### OUTPUTS:

5 A 1 A

### SEE ALSO:



Analog meters  
EA series



Power network  
meters ND20 and  
ND1 type.



Digital meters  
N24Z and N25Z  
types

Transformer type	LCTR 50/14 (50)		LCTR 62/R		
	Accuracy class		0.2	0.5	1
Rated primary current	0.5	1	Transformer power		
30 A	-	1 VA	-	-	-
40 A	-	1 VA	-	-	-
50 A	1.5 VA	1.5 VA	-	-	1.5 VA
60 A	1.5 VA	1.5 VA	-	-	2.5 VA
75 A	2.5 VA	5 VA	-	1.5 VA	2.5 VA
80 A	2.5 VA	5 VA	-	2.5 VA	2.5 VA
100 A	3.75 VA	5 VA	1.5 VA	2.5 VA	5 VA
120 A	3.75 VA	5 VA	1.5 VA	3.75 VA	5 VA
125 A	3.75 VA	5 VA	1.5 VA	3.75 VA	5 VA
150 A	5 VA	7.5 VA	2.5 VA	5 VA	7.5 VA
200 A	7.5 VA	10 VA	5 VA	7.5 VA	10 VA
250 A	10 VA	12.5 VA	5 VA	10 VA	15 VA
300 A	10 VA	12.5 VA	5 VA	10 VA	15 VA
400 A	-	-	7.5 VA	15 VA	15 VA
500 A	-	-	10 VA	15 VA	15 VA
600 A	-	-	10 VA	15 VA	15 VA

### ORDER

You must give: transformer type / primary current / secondary current / power / accuracy class  
Order example: LCTR 50/14 (50) 100/5A, 5VA, cl. 1

### ACCESSORIES:

DIN rail mounting base  
order code: 0904-130-002

### Sales Department:

Tel: (+48 68) 45 75 139; 45 75 305; 45 75 321; 45 75 368;  
Fax: +48 68 32 55 650  
e-mail: export@lumel.com.pl

„LUMEL” S.A.  
ul. Słubicka 1  
65-127 Zielona Góra  
[WWW.LUMEL.COM.PL](http://WWW.LUMEL.COM.PL)

**INPUT:**

50 A  
...  
400 A

**OUTPUTS:**

5 A 1 A

**SEE ALSO:**



Analog meters  
EA series



1- and 3-phase  
power transducers  
P41 and P43  
types.



Digital meter  
N30P type

**Sales Department:**  
Tel: (+48 68) 45 75 139; 45 75  
305; 45 75 321; 45 75 368;  
Fax: +48 68 32 55 650  
e-mail: export@lumel.com.pl

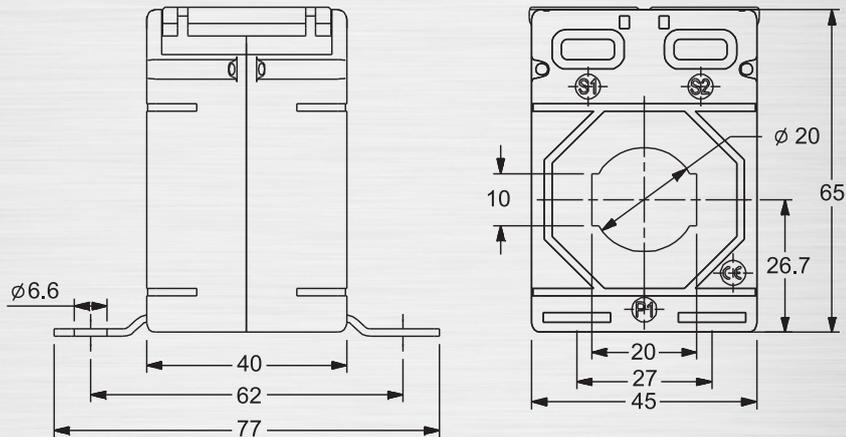
„LUMEL” S.A.  
ul. Słubicka 1  
65-127 Zielona Góra  
**WWW.LUMEL.COM.PL**



Type	
LCTB 45/21 (40)	
Hole diameter	Ø 20 mm
Busbar	20 x 10 mm
Depth	40 mm
Width	45 mm
Primary winding	50 A...400 A
Secondary winding	1 A, 5 A
Accuracy class	0.5; 1

**DIMENSIONS**

**LCTB 45/21 (40)**



Transformer type	LCTB 45/21 (40)	
Accuracy class	0.5	1
Rated primary current	Transformer power	
50 A	-	1.5 VA
60 A	-	1.5 VA
75 A	-	2.5 VA
80 A	1 VA	2.5 VA
100 A	1.5 VA	3.75 VA
120 A	1.5 VA	3.75 VA
125 A	2.5 VA	3.75 VA
150 A	2.5 VA	5 VA
200 A	3.75 VA	5 VA
250 A	3.75 VA	5 VA
300 A	5 VA	5 VA
400 A	5 VA	5 VA

**ORDER**

You must give: transformer type / primary current / secondary current / power / accuracy class  
Order example: LCTB 45/21 (40) 100/5A, 3.75VA, cl. 1

**ACCESSORIES:**

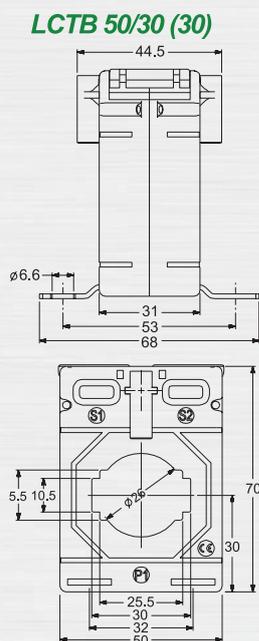
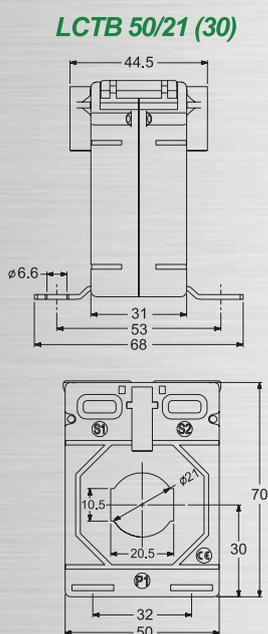
DIN rail mounting base  
order code: 0904-130-002

# BUSBAR SERIES - *LCTB 50*

	Type			
	LCTB 50/21 (30)	LCTB 50/30 (30)	LCTB 50/21 (50)	LCTB 50/30 (50)
Hole diameter	∅ 21 mm	-	∅ 21 mm	-
Busbar	20 x 10 mm	30x10mm, 20x15mm, 20x20mm, 2x20x10mm	20 x 10 mm	30x10mm, 20x15mm, 20x20mm, 2x20x10mm
Depth	31 mm	31 mm	51 mm	51 mm
Width	50 mm	50 mm	50 mm	50 mm
Primary winding	40 A...400 A	75 A...600 A	50 A...400 A	50 A... 600 A
Secondary winding	1 A, 5 A	1 A, 5 A	1 A, 5 A	1 A, 5 A
Accuracy class	0.5; 1	0.5; 1	0.5; 1	0.5; 1



## DIMENSIONS



Transformer type	LCTB 50/21 (30)		LCTB 50/30 (30)	
	0.5	1	0.5	1
Accuracy class	0.5	1	0.5	1
Rated primary current	Transformer power			
40 A	-	1 VA	-	-
50 A	-	1 VA	-	-
60 A	-	1 VA	-	-
75 A	-	1.5 VA	-	1 VA
80 A	1 VA	2.5 VA	-	1.5 VA
100 A	1.5 VA	2.5 VA	1 VA	2.5 VA
120 A	2.5 VA	2.5 VA	1 VA	2.5 VA
125 A	2.5 VA	3.75 VA	1 VA	2.5 VA
150 A	2.5 VA	5 VA	2.5 VA	3.75 VA
200 A	3.75 VA	5 VA	2.5 VA	5 VA
250 A	5 VA	5 VA	5 VA	5 VA
300 A	5 VA	7.5 VA	5 VA	5 VA
400 A	5 VA	7.5 VA	5 VA	6.25 VA
500 A	-	-	5 VA	6.25 VA
600 A	-	-	5 VA	7.5 VA

### INPUT:

40 A  
...  
600 A

### OUTPUTS:

5 A 1 A

### SEE ALSO:



Analog meters  
EA series



Power network  
meters ND20 and  
ND1 type.



Digital meters  
N24Z and N25Z  
types

#### Sales Department:

Tel: (+48 68) 45 75 139; 45 75 305; 45 75 321; 45 75 368;  
Fax: +48 68 32 55 650  
e-mail: export@lumel.com.pl

„LUMEL” S.A.  
ul. Słubicka 1  
65-127 Zielona Góra  
[WWW.LUMEL.COM.PL](http://WWW.LUMEL.COM.PL)

**INPUT:**

40 A  
...  
800 A

**OUTPUTS:**

5 A 1 A

**SEE ALSO:**



Analog meters  
EA series



1- and 3-phase  
power transducers  
P41 and P43  
types.



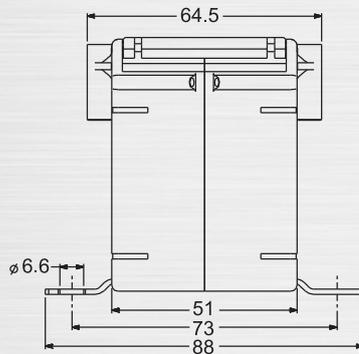
Digital meter  
N30P type

**Sales Department:**  
Tel: (+48 68) 45 75 139; 45 75  
305; 45 75 321; 45 75 368;  
Fax: +48 68 32 55 650  
e-mail: export@lumel.com.pl

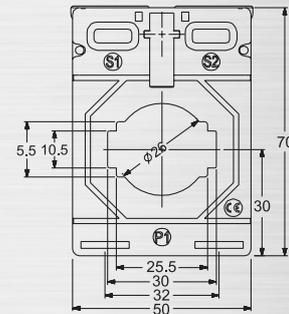
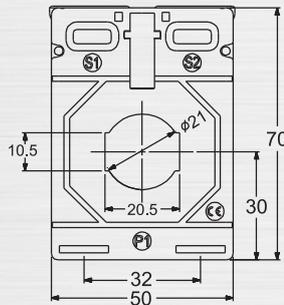
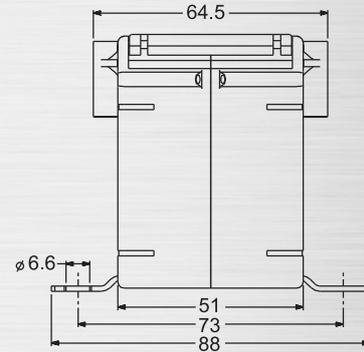
„LUMEL” S.A.  
ul. Słubicka 1  
65-127 Zielona Góra  
**WWW.LUMEL.COM.PL**

**DIMENSIONS**

**LCTB50/21 (50)**



**LCTB 50/30 (50)**



Transformer type	LCTB 50/21 (50)		LCTB 50/30 (50)	
Accuracy class	0.5	1	0.5	1
<b>Rated primary current</b>	<b>Transformer power</b>			
50 A	1 VA	2.5 VA	-	1.5 VA
60 A	1 VA	2.5 VA	-	1.5 VA
75 A	1.5 VA	2.5 VA	-	2.5 VA
80 A	2.5 VA	5 VA	-	2.5 VA
100 A	2.5 VA	5 VA	2.5 VA	5 VA
120 A	3.75 VA	5 VA	2.5 VA	5 VA
125 A	5 VA	5 VA	2.5 VA	5 VA
150 A	5 VA	10 VA	5 VA	5 VA
200 A	7.5 VA	10 VA	5 VA	7.5 VA
250 A	7.5 VA	10 VA	5 VA	10 VA
300 A	7.5 VA	12.5 VA	5 VA	10 VA
400 A	10 VA	15 VA	10 VA	12.5 VA
500 A	-	-	10 VA	12.5 VA
600 A	-	-	10 VA	15 VA

**ORDER**

You must give: transformer type / primary current / secondary current / power / accuracy class  
Order example: LCTB 50/21 (50) 100/5A, 5VA, cl. 1

**ACCESSORIES:**

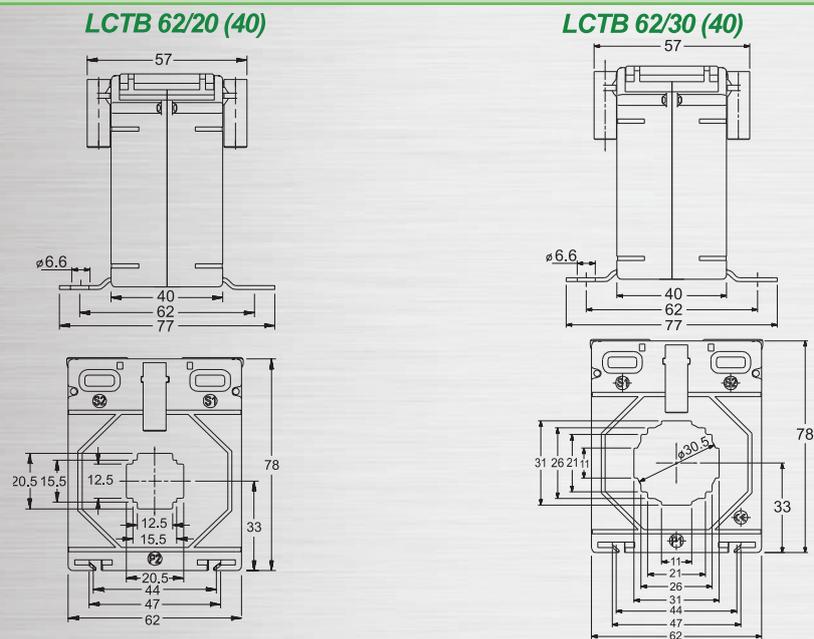
DIN rail mounting base  
order code: 0904-130-123

# BUSBAR SERIES - **LCTB 62**

	Type			
	LCTB 62/20(40)	LCTB62/30(40)	LCTB62/30(50)	LCTB62/40(40)
Hole diameter	-	∅ 30 mm	∅ 30 mm	∅ 31 mm
Busbar	20x12 mm, 2x15x6 mm	30x10 mm, 2x25x10 mm	30x10 mm, 2x25x10 mm	40x10 mm, 2x30x10 mm
Depth	40 mm	40 mm	50 mm	40 mm
Width	62 mm	62 mm	62 mm	62 mm
Primary winding	50 A...400 A	50 A...800 A	100 A...800 A	40 A...800 A
Secondary winding	1 A, 5 A	1 A, 5 A	1 A, 5 A	1 A, 5 A
Accuracy class	0.2S; 0.2; 0.5; 1	0.2S; 0.2; 0.5; 1	0.2S; 0.2; 0.5; 1	0.2S; 0.2; 0.5; 1



## DIMENSIONS



Transformer type	LCTB 62/20 (40)				LCTB 62/30 (40)			
Accuracy class	0.2S	0.2	0.5	1	0.2S	0.2	0.5	1
Rated primary current	Power transformer							
50 A	-	-	-	1.5 VA	-	-	-	1.5 VA
60 A	-	-	-	2.5 VA	-	-	-	1.5 VA
75 A	-	-	1.5 VA	3.75 VA	-	-	-	1.5 VA
80 A	-	-	2.5 VA	3.75 VA	-	-	-	2 VA
100 A	1.5 VA	1.5 VA	2.5 VA	5 VA	1 VA	1 VA	1.5 VA	2.5 VA
120 A	1.5 VA	1.5 VA	3.75 VA	5 VA	1 VA	1 VA	2.5 VA	3.75 VA
125 A	1.5 VA	1.5 VA	3.75 VA	5 VA	1 VA	1 VA	2.5 VA	3.75 VA
150 A	2 VA	2.5 VA	5 VA	7.5 VA	1.5 VA	1.5 VA	3.75 VA	5 VA
200 A	3.75 VA	5 VA	7.5 VA	10 VA	2.5 VA	2.5 VA	5 VA	7.5 VA
250 A	3.75 VA	5 VA	10 VA	15 VA	2.5 VA	3.75 VA	5 VA	10 VA
300 A	3.75 VA	5 VA	10 VA	15 VA	2.5 VA	3.75 VA	5 VA	10 VA
400 A	5 VA	7.5 VA	15 VA	15 VA	3.75 VA	5 VA	7.5 VA	12.5 VA
500 A	-	-	-	-	5 VA	7.5 VA	10 VA	12.5 VA
600 A	-	-	-	-	5 VA	7.5 VA	15 VA	15 VA
750 A	-	-	-	-	5 VA	10 VA	15 VA	15 VA
800 A	-	-	-	-	5 VA	10 VA	15 VA	15 VA

**INPUT:**

40 A  
...  
800 A

**OUTPUTS:**

5 A 1 A

**SEE ALSO:**



Analog meters EA series



Power network meters ND20 and ND1 type.



Digital meters N24Z and N25Z types

**Sales Department:**  
Tel: (+48 68) 45 75 139; 45 75 305; 45 75 321; 45 75 368;  
Fax: +48 68 32 55 650  
e-mail: export@lumel.com.pl

„LUMEL” S.A.  
ul. Słubicka 1  
65-127 Zielona Góra  
**WWW.LUMEL.COM.PL**

**INPUT:**

40 A  
...  
800 A

**OUTPUTS:**

5 A 1 A

**SEE ALSO:**



Analog meters  
EA series



1- and 3-phase  
power transducers  
P41 and P43  
types.



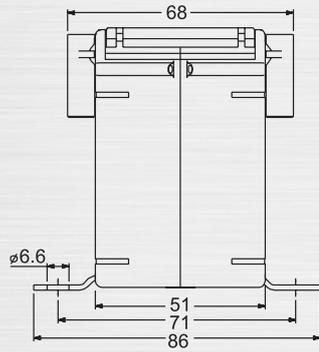
Digital meter  
N30P type

**Sales Department:**  
Tel: (+48 68) 45 75 139; 45 75 305; 45 75 321; 45 75 368;  
Fax: +48 68 32 55 650  
e-mail: [export@lumel.com.pl](mailto:export@lumel.com.pl)

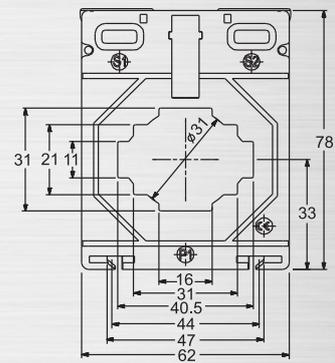
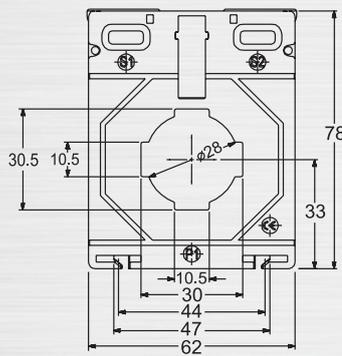
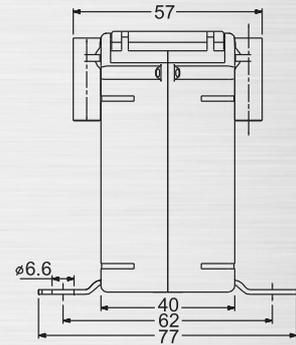
„LUMEL” S.A.  
ul. Słubicka 1  
65-127 Zielona Góra  
[WWW.LUMEL.COM.PL](http://WWW.LUMEL.COM.PL)

**DIMENSIONS**

**LCTB 62/30 (50)**



**LCTB 62/40 (40)**



Transformer type	LCTB 62/30 (50)				LCTB 62/40 (40)			
	0.2S	0.2	0.5	1	0.2S	0.2	0.5	1
<b>Accuracy class</b>	0.2S	0.2	0.5	1	0.2S	0.2	0.5	1
<b>Rated primary current</b>	<b>Transformer power</b>							
40 A	-	-	-	1 VA	-	-	-	-
50 A	-	-	-	2.5 VA	-	-	-	-
60 A	-	-	-	2.5 VA	-	-	-	-
75 A	-	-	2.5 VA	2.5 VA	-	-	-	-
80 A	-	-	2.5 VA	3.75 VA	-	-	-	-
100 A	1.25 VA	1.25 VA	5 VA	5 VA	-	-	-	1 VA
120 A	1.25 VA	1.25 VA	5 VA	5 VA	-	-	-	1.5 VA
125 A	1.25 VA	1.25 VA	5 VA	5 VA	-	-	-	1.5 VA
150 A	2 VA	2 VA	5 VA	7.5 VA	-	-	-	2.5 VA
200 A	3 VA	3.75 VA	10 VA	15 VA	1 VA	1 VA	1.5 VA	3.75 VA
250 A	3 VA	5 VA	15 VA	15 VA	1.5 VA	1.5 VA	2.5 VA	5 VA
300 A	3 VA	5 VA	15 VA	15 VA	1.5 VA	1.5 VA	5 VA	5 VA
400 A	5 VA	6.25 VA	15 VA	30 VA	2.5 VA	2.5 VA	5 VA	5 VA
500 A	5 VA	7.5 VA	15 VA	30 VA	3.75 VA	5 VA	5 VA	7.5 VA
600 A	6.25 VA	10 VA	20 VA	30 VA	5 VA	7.5 VA	7.5 VA	10 VA
750 A	6.25 VA	10 VA	20 VA	30 VA	5 VA	10 VA	10 VA	10 VA
800 A	6.25 VA	10 VA	20 VA	30 VA	5 VA	10 VA	10 VA	10 VA

**ORDER**

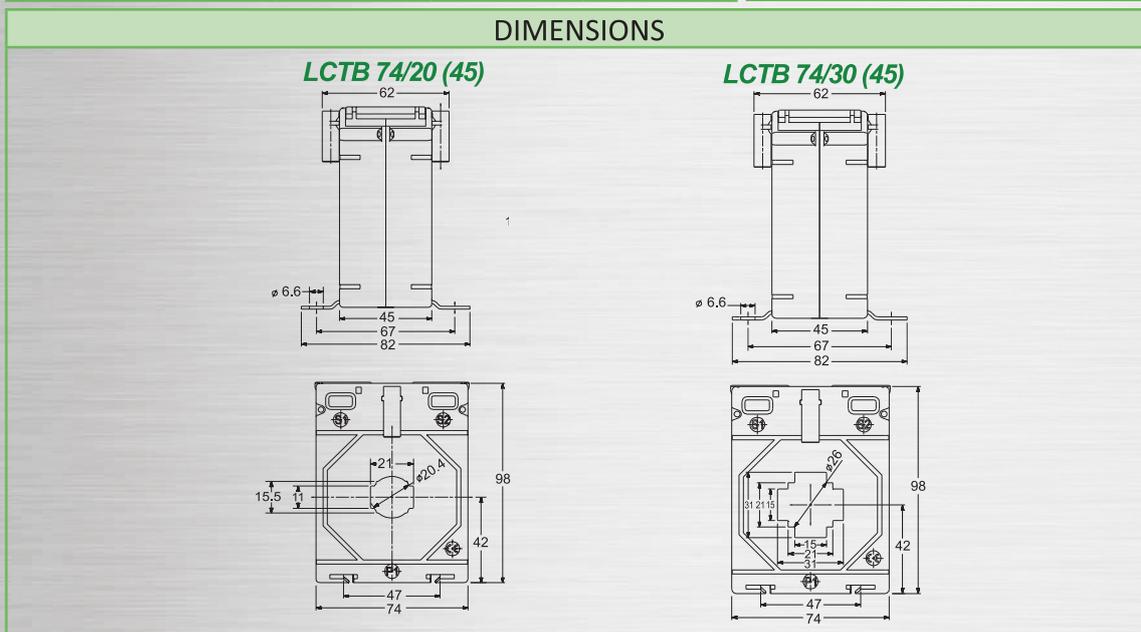
You must give: transformer type / primary current / secondary current / power / accuracy class  
Order example: LCTB 62/40 (40) 100/5A, 1VA, cl. 1

**ACCESSORIES:**

DIN rail mounting base  
order code: 0904-130-124

# BUSBAR SERIES - LCTB 74

	Type			
	LCTB 74/20 (45)	LCTB 74/30 (45)	LCTB 74/40 (45)	LCTB 74/50 (45)
Hole diameter	∅ 20 mm	∅ 26 mm	∅ 35 mm	∅ 41 mm
Busbar	20x10 mm	30x15 mm, 2x20x10 mm	40x12 mm, 2x30x15 mm	50x12 mm, 2x40x10 mm
Depth	45 mm	45 mm	45 mm	45 mm
Width	74 mm	74 mm	74 mm	74 mm
Primary winding	30 A...400 A	30 A...800 A	40 A...1000 A	100 A...1000 A
Secondary winding	1 A, 5 A	1 A, 5 A	1 A, 5 A	1 A, 5 A
Accuracy class	0.2S; 0.2; 0.5; 1	0.2S; 0.2; 0.5; 1	0.2S; 0.2; 0.5; 1	0.2S; 0.2; 0.5; 1



Transformer type	LCTB 74/20 (45)				LCTB 74/30 (45)			
	0.2S	0.2	0.5	1	0.2S	0.2	0.5	1
Accuracy class	0.2S	0.2	0.5	1	0.2S	0.2	0.5	1
Rated primary current	Transformer power							
30 A	-	-	-	1.5 VA	-	-	-	1 VA
40 A	-	-	-	1.5 VA	-	-	-	1.5 VA
50 A	-	-	-	2.5 VA	-	-	-	1.5 VA
60 A	-	-	-	3.75 VA	-	-	-	2.5 VA
75 A	-	-	1.5 VA	5 VA	-	-	1.5 VA	2.5 VA
80 A	-	-	1.5 VA	5 VA	-	-	1.5 VA	3.75 VA
100 A	1.5 VA	1.5 VA	5 VA	7.5 VA	1.5 VA	1.5 VA	2.5 VA	5 VA
120 A	1.5 VA	1.5 VA	5 VA	10 VA	1.5 VA	1.5 VA	2.5 VA	5 VA
125 A	1.5 VA	1.5 VA	5 VA	10 VA	1.5 VA	1.5 VA	2.5 VA	5 VA
150 A	2.5 VA	2.5 VA	7.5 VA	12.5 VA	1.5 VA	1.5 VA	5 VA	7.5 VA
200 A	5 VA	5 VA	10 VA	15 VA	2.5 VA	2.5 VA	10 VA	15 VA
250 A	5 VA	5 VA	10 VA	15 VA	2.5 VA	2.5 VA	10 VA	15 VA
300 A	5 VA	7.5 VA	15 VA	15 VA	2.5 VA	5 VA	10 VA	15 VA
400 A	5 VA	10 VA	15 VA	20 VA	5 VA	7.5 VA	15 VA	20 VA
500 A	-	-	-	-	5 VA	10 VA	15 VA	20 VA
600 A	-	-	-	-	5 VA	15 VA	15 VA	20 VA
750 A	-	-	-	-	7.5 VA	20 VA	20 VA	30 VA
800 A	-	-	-	-	10 VA	30 VA	30 VA	30 VA

**INPUT:**

30 A  
...  
1000 A

**OUTPUTS:**

5 A 1 A

**SEE ALSO:**



Analog meters  
EA series



Power network  
meters ND20 and  
ND1 type.



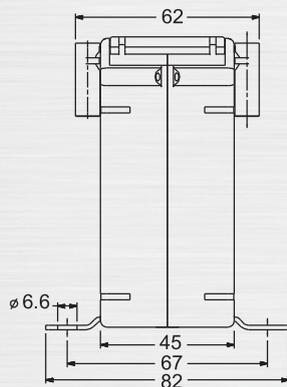
Digital meters  
N24Z and N25Z  
types

**Sales Department:**  
Tel: (+48 68) 45 75 139; 45 75  
305; 45 75 321; 45 75 368;  
Fax: +48 68 32 55 650  
e-mail: export@lumel.com.pl

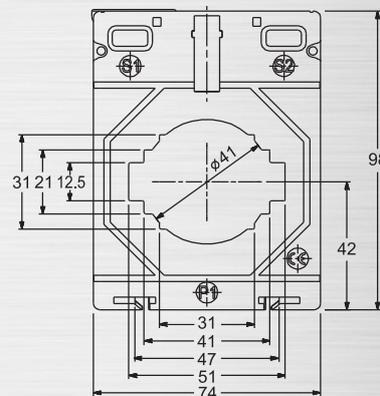
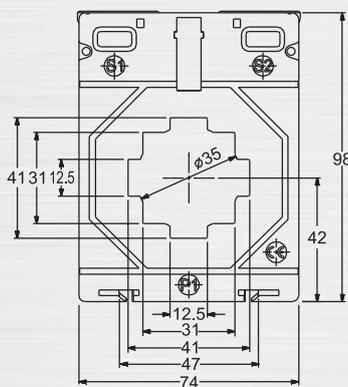
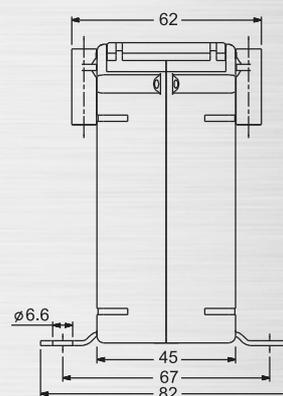
„LUMEL” S.A.  
ul. Słubicka 1  
65-127 Zielona Góra  
[WWW.LUMEL.COM.PL](http://WWW.LUMEL.COM.PL)

**DIMENSIONS**

**LCTB 74/40 (45)**



**LCTB 74/50 (45)**



**INPUT:**

30 A  
...  
1000 A

**OUTPUTS:**

5 A 1 A

**SEE ALSO:**



Analog meters  
EA series



1- and 3-phase  
power transducers  
P41 and P43  
types.



Digital meter  
N30P type

**Sales Department:**

Tel: (+48 68) 45 75 139; 45 75 305; 45 75 321; 45 75 368;  
Fax: +48 68 32 55 650  
e-mail: export@lumel.com.pl

„LUMEL” S.A.  
ul. Słubicka 1  
65-127 Zielona Góra  
**WWW.LUMEL.COM.PL**

Transformer type	LCTB 74/40 (45)				LCTB 74/50 (45)			
Accuracy class	0.2S	0.2	0.5	1	0.2S	0.2	0.5	1
<b>Rated primary current</b>	<b>Transformer power</b>							
40 A	-	-	-	1 VA	-	-	-	-
50 A	-	-	-	1 VA	-	-	-	-
60 A	-	-	-	1 VA	-	-	-	-
75 A	-	-	-	1.5 VA	-	-	-	-
80 A	-	-	-	1.5 VA	-	-	-	-
100 A	-	-	1.5 VA	2.5 VA	-	-	-	1.5 VA
120 A	-	-	1.5 VA	2.5 VA	-	-	-	1.5 VA
125 A	-	-	1.5 VA	2.5 VA	-	-	-	1.5 VA
150 A	-	-	2.5 VA	3.75 VA	-	-	-	2.5 VA
200 A	2.5 VA	2.5 VA	3.75 VA	5 VA	-	-	1.5 VA	3.75 VA
250 A	2.5 VA	2.5 VA	5 VA	7.5 VA	1.5 VA	1.5 VA	2.5 VA	5 VA
300 A	2.5 VA	2.5 VA	5 VA	7.5 VA	1.5 VA	1.5 VA	5 VA	7.5 VA
400 A	5 VA	5 VA	7.5 VA	12.5 VA	2.5 VA	2.5 VA	5 VA	7.5 VA
500 A	5 VA	7.5 VA	10 VA	15 VA	5 VA	5 VA	7.5 VA	10 VA
600 A	5 VA	10 VA	15 VA	20 VA	5 VA	7.5 VA	10 VA	12.5 VA
750 A	5 VA	10 VA	15 VA	20 VA	5 VA	10 VA	12.5 VA	15 VA
800 A	7.5 VA	15 VA	15 VA	20 VA	5 VA	10 VA	12.5 VA	15 VA
1000 A	10 VA	15 VA	15 VA	20 VA	5 VA	10 VA	12.5 VA	15 VA

**ORDER**

You must give: transformer type / primary current / secondary current / power / accuracy class  
Order example: LCTB 74/50 (45) 100/5A, 1.5VA, cl. 1

**ACCESSORIES:**

DIN rail mounting base  
order code: 0904-130-124

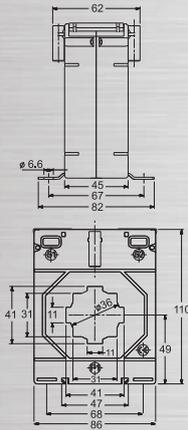
# BUSBAR SERIES - **LCTB 86**

	Type		
	LCTB 86/40 (45)	LCTB 86/50 (45)	LCTB 86/60 (45)
Hole diameter	∅ 36 mm	∅ 46 mm	∅ 51 mm
Busbar	40 x 10 mm, 2 x 30 x 15 mm	50 x 12 mm, 2 x 40 x 15 mm	60 x 12 mm, 2 x 50 x 15 mm
Depth	45 mm	45 mm	51 mm
Width	86 mm	86 mm	50 mm
Primary winding	50 A...1000 A	100 A...1250 A	50 A...600 A
Secondary winding	1 A, 5 A	1 A, 5 A	1 A, 5 A
Accuracy class	0.2S; 0.2; 0.5; 1	0.2S; 0.2; 0.5; 1	0.2S; 0.2; 0.5; 1

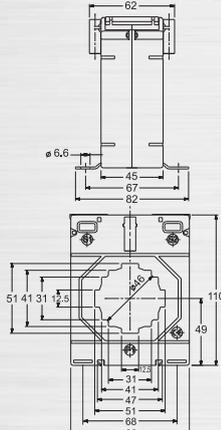


## DIMENSIONS

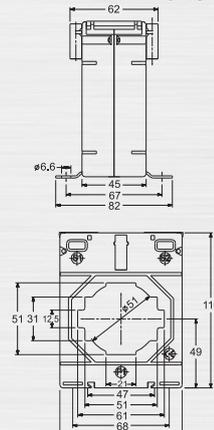
**LCTB 86/40 (45)**



**LCTB 86/50 (45)**



**LCTB 86/60 (45)**



Transformer type	LCTB 86/40 (45)				LCTB 86/50 (45)				LCTB 86/60 (45)			
	0.2S	0.2	0.5	1	0.2S	0.2	0.5	1	0.2S	0.2	0.5	1
Rated primary current	Transformer power											
50 A	-	-	-	1.5 VA	-	-	-	-	-	-	-	-
60 A	-	-	-	1.5 VA	-	-	-	-	-	-	-	-
75 A	-	-	-	2.5 VA	-	-	-	-	-	-	-	-
80 A	-	-	-	2.5 VA	-	-	-	-	-	-	-	-
100 A	1.5 VA	1.5 VA	1.5 VA	3.75 VA	-	-	-	1.5 VA	-	-	-	1 VA
120 A	1.5 VA	1.5 VA	2.5 VA	5 VA	-	-	1.5 VA	2.5 VA	-	-	-	1.5 VA
125 A	1.5 VA	1.5 VA	2.5 VA	5 VA	-	-	1.5 VA	2.5 VA	-	-	-	2.5 VA
150 A	2.5 VA	2.5 VA	3.75 VA	7.5 VA	-	-	2.5 VA	5 VA	-	-	-	2.5 VA
200 A	2.5 VA	2.5 VA	5 VA	12.5 VA	-	-	5 VA	7.5 VA	-	-	1.5 VA	3.75 VA
250 A	3.75 VA	3.75 VA	7.5 VA	15 VA	-	-	7.5 VA	10 VA	-	-	2.5 VA	5 VA
300 A	3.75 VA	5 VA	10 VA	20 VA	1.5 VA	1.5 VA	7.5 VA	10 VA	1.5 VA	1.5 VA	5 VA	7.5 VA
400 A	3.75 VA	7.5 VA	15 VA	20 VA	2.5 VA	2.5 VA	15 VA	15 VA	2.5 VA	2.5 VA	10 VA	12.5 VA
500 A	5 VA	10 VA	20 VA	30 VA	2.5 VA	2.5 VA	15 VA	20 VA	2.5 VA	3.75 VA	10 VA	12.5 VA
600 A	7.5 VA	15 VA	30 VA	30 VA	5 VA	7.5 VA	15 VA	20 VA	5 VA	5 VA	15 VA	15 VA
750 A	7.5 VA	15 VA	30 VA	30 VA	7.5 VA	10 VA	15 VA	20 VA	5 VA	10 VA	15 VA	20 VA
800 A	10 VA	15 VA	30 VA	30 VA	10 VA	12.5 VA	20 VA	30 VA	7.5 VA	12.5 VA	20 VA	20 VA
1000 A	10 VA	15 VA	30 VA	30 VA	12.5 VA	20 VA	30 VA	30 VA	10 VA	15 VA	20 VA	20 VA
1200 A	-	-	-	-	12.5 VA	20 VA	30 VA	30 VA	10 VA	15 VA	20 VA	20 VA
1250 A	-	-	-	-	12.5 VA	20 VA	30 VA	30 VA	10 VA	15 VA	20 VA	20 VA
1500 A	-	-	-	-	-	-	-	-	10 VA	15 VA	20 VA	20 VA
1600 A	-	-	-	-	-	-	-	-	10 VA	15 VA	20 VA	20 VA

**INPUT:**

50 A  
...  
1600 A

**OUTPUTS:**

5 A 1 A

**SEE ALSO:**



Analog meters  
EA series



Power network  
meters ND20 and  
ND1 type.



Digital meters  
N24Z and N25Z  
types

**Sales Department:**

Tel: (+48 68) 45 75 139; 45 75 305; 45 75 321; 45 75 368;  
Fax: +48 68 32 55 650  
e-mail: export@lumel.com.pl

„LUMEL” S.A.  
ul. Słubicka 1  
65-127 Zielona Góra  
**WWW.LUMEL.COM.PL**

**ORDER** - You must give: transformer type / primary current / secondary current / power / accuracy class  
Order example: LCTB 86/50 (45) 100/5A, 1.5VA, cl. 1

**ACCESSORIES:**  
DIN rail mounting base  
order code: 0904-130-124

### INPUT:

400 A  
...  
3200 A

### OUTPUTS:

5 A 1 A

### SEE ALSO:



Analog meters  
EA series



1- and 3-phase  
power transducers  
P41 and P43  
types.



Digital meter  
N30P type

**Sales Department:**  
Tel: (+48 68) 45 75 139; 45 75  
305; 45 75 321; 45 75 368;  
Fax: +48 68 32 55 650  
e-mail: export@lumel.com.pl

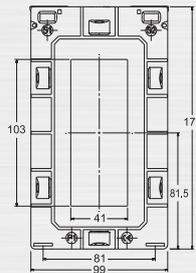
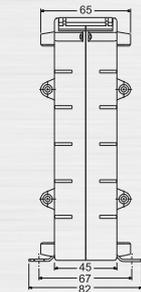
„LUMEL” S.A.  
ul. Słubicka 1  
65-127 Zielona Góra  
[WWW.LUMEL.COM.PL](http://WWW.LUMEL.COM.PL)



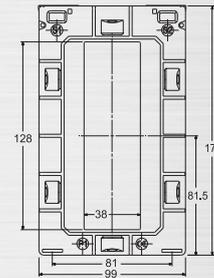
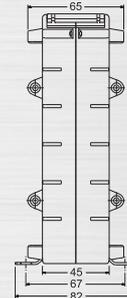
	Type	
	LCTB 100/100V (45)	LCTB 100/130V (45)
Busbar	41 x 103 mm	38 x 128 mm
Depth	45 mm	45 mm
Width	100 mm	100 mm
Primary current	400 A...2500 A	400 A...3200 A
Secondary current	1 A, 5 A	1 A, 5 A
Accuracy class	0.2S; 0.2; 0.5; 1	0.2; 0.5; 1

### DIMENSIONS

LCTB 100/100V (45)



LCTB 100/130V (45)



Transformer type	LCTB 100/100V (45)				LCTB 100/130V (45)			
	Accuracy class	0.2S	0.2	0.5	1	0.2	0.5	1
Primary current	Transformer power							
400 A	-	-	2.5 VA	5 VA	-	2.5 VA	5 VA	
500 A	-	-	2.5 VA	5 VA	-	2.5 VA	5 VA	
600 A	-	-	2.5 VA	5 VA	-	2.5 VA	5 VA	
750 A	-	-	2.5 VA	5 VA	-	2.5 VA	7.5 VA	
800 A	-	-	5 VA	10 VA	-	5 VA	7.5 VA	
1000 A	-	5 VA	10 VA	15 VA	-	10 VA	10 VA	
1200 A	5 VA	5 VA	10 VA	15 VA	-	10 VA	15 VA	
1250 A	5 VA	5 VA	10 VA	15 VA	-	10 VA	15 VA	
1500 A	5 VA	5 VA	15 VA	30 VA	5 VA	15 VA	15 VA	
1600 A	7.5 VA	10 VA	15 VA	30 VA	5 VA	15 VA	15 VA	
2000 A	7.5 VA	10 VA	15 VA	30 VA	5 VA	15 VA	20 VA	
2500 A	10 VA	10 VA	15 VA	20 VA	5 VA	15 VA	20 VA	
3000 A	-	-	-	-	5 VA	10 VA	20 VA	
3200 A	-	-	-	-	5 VA	10 VA	20 VA	

### ORDER

You must give: transformer type / primary current / secondary current / power / accuracy class  
Order example: LCTB 100/130V (45) 400/5A, 2.5VA, cl. 1

### ACCESSORIES:

DIN rail mounting base  
order code: 0904-130-124

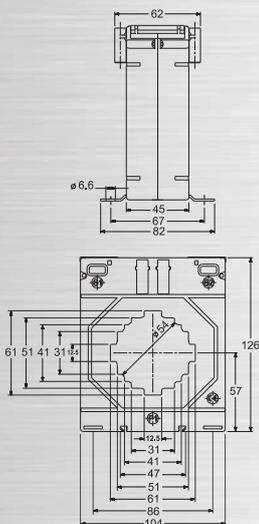
# BUSBAR SERIES - **LCTB 104**

	Type	
	LCTB 104/60 (45)	LCTB 104/80 (45)
Hole diameter	Ø 54 mm	Ø 65 mm
Busbar	60 x 12 mm, 2 x 50 x 15mm, 2 x 40 x 20 mm	80 x 12 mm, 2 x 60 x 15 mm, 2 x 50 x 25 mm
Depth	45 mm	45 mm
Width	104 mm	104 mm
Primary current	100 A...1600 A	200 A...2000 A
Secondary current	1 A, 5 A	1 A, 5 A
Accuracy class	0.2S; 0.2; 0.5; 1	0.2S; 0.2; 0.5; 1

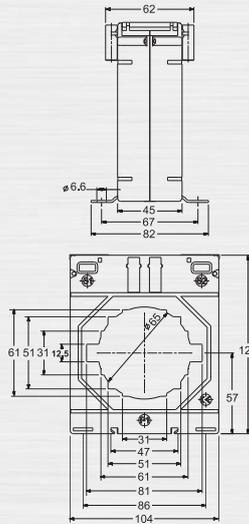


## DIMENSIONS

**LCTB 104/60 (45)**



**LCTB 104/80 (45)**



Transformer type	LCTB 104/60 (45)				LCTB 104/80 (45)			
	0.2S	0.2	0.5	1	0.2S	0.2	0.5	1
Accuracy class	0.2S	0.2	0.5	1	0.2S	0.2	0.5	1
Rated primary current	Transformer power							
100 A	-	-	-	1.5 VA	-	-	-	-
120 A	-	-	-	2.5 VA	-	-	-	-
125 A	-	-	-	2.5 VA	-	-	-	-
150 A	-	-	2.5 VA	2.5 VA	-	-	-	-
200 A	-	-	5 VA	5 VA	-	-	-	1.5 VA
250 A	-	1.5 VA	7.5 VA	10 VA	-	-	1.5 VA	2.5 VA
300 A	1.5 VA	2.5 VA	10 VA	12.5 VA	-	-	2.5 VA	7.5 VA
400 A	2.5 VA	3.75 VA	10 VA	15 VA	-	1.5 VA	5 VA	10 VA
500 A	3.75 VA	7.5 VA	15 VA	15 VA	-	1.5 VA	5 VA	10 VA
600 A	5 VA	10 VA	15 VA	20 VA	-	2.5 VA	7.5 VA	12.5 VA
750 A	5 VA	15 VA	20 VA	30 VA	5 VA	5 VA	10 VA	15 VA
800 A	7.5 VA	15 VA	30 VA	30 VA	5 VA	7.5 VA	10 VA	15 VA
1000 A	10VA	20 VA	30 VA	30 VA	7.5 VA	12.5VA	20 VA	20 VA
1200 A	10VA	30 VA	30 VA	45 VA	10 VA	15 VA	20 VA	30 VA
1250 A	10VA	30 VA	30 VA	45 VA	10 VA	15 VA	20 VA	30 VA
1500 A	10VA	30 VA	30 VA	45 VA	10 VA	15 VA	20 VA	30 VA
1600 A	10VA	30 VA	30 VA	45 VA	10 VA	15 VA	20 VA	30 VA
2000 A	-	-	-	-	10 VA	15 VA	20 VA	30 VA

**INPUT:**

100 A  
...  
2000 A

**OUTPUTS:**

5 A 1 A

**SEE ALSO:**



Analog meters  
EA series



Power network  
meters ND20 and  
ND1 type.



Digital meters  
N24Z and N25Z  
types

**Sales Department:**

Tel: (+48 68) 45 75 139; 45 75  
305; 45 75 321; 45 75 368;  
Fax: +48 68 32 55 650  
e-mail: export@lumel.com.pl

„LUMEL” S.A.  
ul. Słubicka 1  
65-127 Zielona Góra  
[WWW.LUMEL.COM.PL](http://WWW.LUMEL.COM.PL)

**ORDER**

You must give: transformer type / primary current / secondary current / power / accuracy class  
Order example: LCTB 104/60 (45) 100/5A, 1.5VA, cl. 1

**ACCESSORIES:**

DIN rail mounting base  
order code: 0904-130-124

**INPUT:**

200 A  
...  
5000 A

**OUTPUTS:**

5 A 1 A

**SEE ALSO:**



Analog meters  
EA series



1- and 3-phase  
power transducers  
P41 and P43  
types.



Digital meter  
N30P type

**Sales Department:**  
Tel: (+48 68) 45 75 139; 45 75  
305; 45 75 321; 45 75 368;  
Fax: +48 68 32 55 650  
e-mail: export@lumel.com.pl

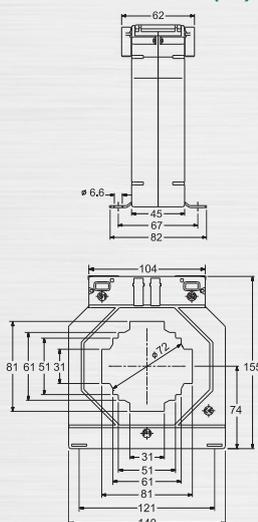
„LUMEL” S.A.  
ul. Słubicka 1  
65-127 Zielona Góra  
**WWW.LUMEL.COM.PL**



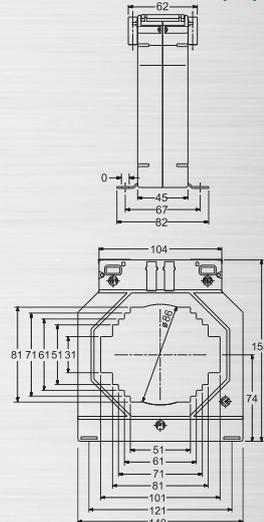
	Type			
	LCTB 140/80 (45)	LCTB 140/100H (45)	LCTB 140/100V	LCTB 140/130V (45)
Hole diameter	∅ 72 mm	∅ 86 mm	∅ 86 mm	-
Busbar	80 x 30 mm, 2 x 60 x 25 mm	100 x 30 mm, 2 x 80 x 25 mm, 2 x 70 x 30 mm	100 x 30 mm, 2 x 80 x 25 mm, 2 x 70 x 30 mm	70 x 130 mm
Depth	45 mm	45 mm	51 mm	45 mm
Width	140 mm	140 mm	140 mm	140 mm
Primary winding	200 A...2000 A	200 A...4000 A	200 A...3000 A	400 A...5000 A
Secondary winding	1 A, 5 A	1 A, 5 A	1 A, 5 A	1 A, 5 A
Accuracy class	0.2S; 0.2; 0.5; 1	0.2S; 0.2; 0.5; 1	0.2S; 0.2; 0.5; 1	0.2S; 0.2; 0.5; 1

**DIMENSIONS**

LCTB 140/80 (45)



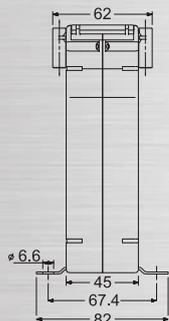
LCTB 140/100H (45)



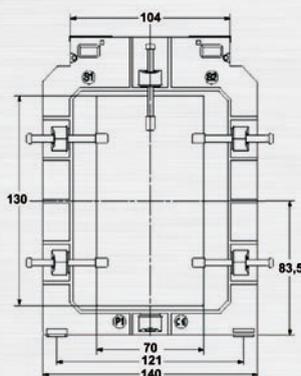
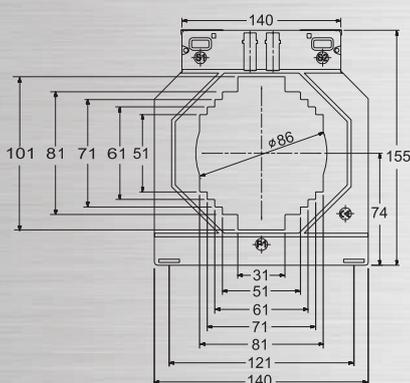
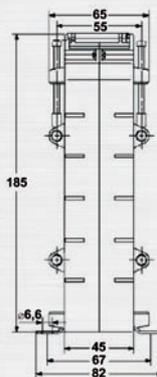
Transformer type	LCTB 140/80 (45)				LCTB 140/100H (45)			
	Accuracy class	0.2S	0.2	0.5	1	0.2S	0.2	0.5
Rated primary current	Transformer power							
200 A	-	-	2.5 VA	5 VA	-	-	1.5 VA	3.75 VA
250 A	-	-	5 VA	10 VA	-	-	2.5 VA	5 VA
300 A	-	1.5 VA	7.5 VA	15 VA	-	-	3.75 VA	7.5 VA
400 A	-	2.5 VA	10 VA	20 VA	-	1.5 VA	7.5 VA	10 VA
500 A	2.5 VA	5 VA	15 VA	30 VA	-	2.5 VA	10 VA	12.5 VA
600 A	3.75 VA	7.5 VA	15 VA	30 VA	2.5 VA	3.75 VA	10 VA	15 VA
750 A	5 VA	10 VA	15 VA	45 VA	5 VA	5 VA	15 VA	20 VA
800 A	5 VA	10 VA	15 VA	45 VA	5 VA	5 VA	15 VA	20 VA
1000 A	10 VA	15 VA	30 VA	60 VA	5 VA	10 VA	15 VA	20 VA
1200 A	12.5 VA	15 VA	30 VA	60 VA	10 VA	15 VA	15 VA	30 VA
1250 A	12.5 VA	30 VA	60 VA	60 VA	10 VA	15 VA	15 VA	30 VA
1500 A	15 VA	30 VA	60 VA	60 VA	15 VA	20 VA	20 VA	30 VA
1600 A	15 VA	30 VA	60 VA	60 VA	15 VA	20 VA	20 VA	45 VA
2000 A	15 VA	30 VA	60 VA	60 VA	15 VA	45 VA	45 VA	45 VA
2500 A	-	-	-	-	15 VA	45 VA	45 VA	45 VA
3000 A	-	-	-	-	15 VA	60 VA	60 VA	60 VA
4000 A	-	-	-	-	-	60 VA	60 VA	60 VA

## DIMENSIONS

**LCTB 140/100V (45)**



**LCTB 140/130V (45)**



Transformer type	LCTB 140/100V (45)				LCTB 140/130V (45)		
	0.25	0.2	0.5	1	0.2	0.5	1
Accuracy class	0.25	0.2	0.5	1	0.2	0.5	1
Rated primary current	Transformer power						
200 A	-	-	1.5 VA	3.75 VA	-	-	-
250 A	-	-	2.5 VA	5 VA	-	-	-
300 A	-	-	3.75 VA	7.5 VA	-	-	-
400 A	-	1.5 VA	10 VA	10 VA	-	3.75 VA	5 VA
500 A	-	2.5 VA	10 VA	12.5 VA	-	3.75 VA	5 VA
600 A	2.5 VA	3.75 VA	12.5 VA	15 VA	-	3.75 VA	5 VA
750 A	5 VA	5 VA	15 VA	20 VA	-	5 VA	7.5 VA
800 A	5 VA	5 VA	15 VA	20 VA	-	5 VA	7.5 VA
1000 A	5 VA	10 VA	15 VA	20 VA	5 VA	10 VA	10 VA
1200 A	10 VA	15 VA	15 VA	30 VA	7.5 VA	10 VA	15 VA
1250 A	10 VA	15 VA	15 VA	30 VA	7.5 VA	10 VA	15 VA
1500 A	15 VA	20 VA	30 VA	30 VA	10 VA	15 VA	15 VA
1600 A	15 VA	20 VA	45 VA	45 VA	10 VA	15 VA	15 VA
2000 A	15 VA	30 VA	45 VA	45 VA	15 VA	20 VA	20 VA
2500 A	15 VA	30 VA	45 VA	45 VA	15 VA	20 VA	20 VA
3000 A	15 VA	30 VA	60 VA	60 VA	15 VA	20 VA	20 VA
4000 A	-	-	-	-	15 VA	20 VA	20 VA
5000 A	-	-	-	-	15 VA	20 VA	20 VA

**ORDER** - You must give: transformer type / primary current / secondary current / power / accuracy class  
**Order example:** LCTB 140/100H (45) 200/5A, 3.75VA, cl. 1

### INPUT:

200 A  
...  
5000 A

### OUTPUTS:

5 A 1 A

### SEE ALSO:



Analog meters  
EA series



Power network  
meters ND20 and  
ND1 type.



Digital meters  
N24Z and N25Z  
types

### Sales Department:

Tel: (+48 68) 45 75 139; 45 75 305; 45 75 321; 45 75 368;  
 Fax: +48 68 32 55 650  
 e-mail: export@lumel.com.pl

„LUMEL” S.A.  
 ul. Słubicka 1  
 65-127 Zielona Góra  
[WWW.LUMEL.COM.PL](http://WWW.LUMEL.COM.PL)

**INPUT:**

600 A  
...  
7500 A

**OUTPUTS:**

5 A 1 A

**SEE ALSO:**



Analog meters  
EA series



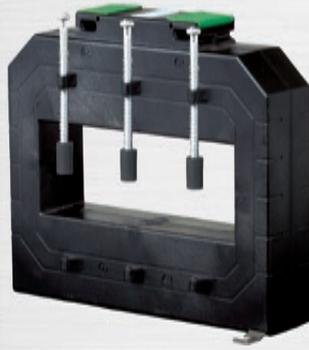
1- and 3-phase  
power transducers  
P41 and P43  
types.



Digital meter  
N30P type

**Sales Department:**  
Tel: (+48 68) 45 75 139; 45 75 305; 45 75 321; 45 75 368;  
Fax: +48 68 32 55 650  
e-mail: export@lumel.com.pl

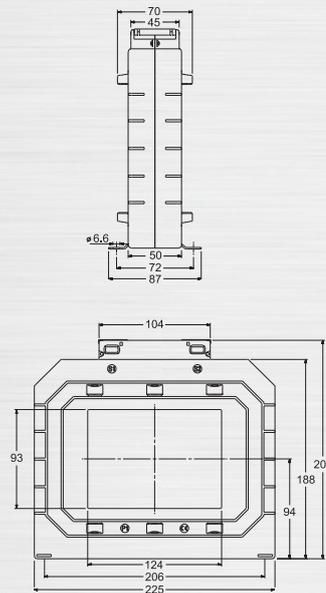
„LUMEL” S.A.  
ul. Słubicka 1  
65-127 Zielona Góra  
**WWW.LUMEL.COM.PL**



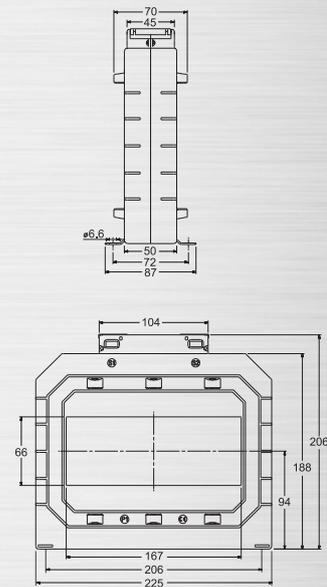
	Type	
	LCTB 225/125 (50)	LCTB 225/167 (50)
Busbar	123 x 92 mm	166 x 65 mm
Depth	50 mm	50 mm
Width	225 mm	225 mm
Primary winding	600 A...6000 A	1000 A...7500 A
Secondary winding	1 A, 5 A	1 A, 5 A
Accuracy class	0.2S; 0.2; 0.5; 1	0.2S; 0.2; 0.5; 1

**DIMENSIONS**

LCTB 225/125 (50)



LCTB 225/167 (50)



Transformer type	LCTB 225/125 (50)				LCTB 225/167 (50)			
	Accuracy class	0.2S	0.2	0.5	1	0.2S	0.2	0.5
Rated primary current	Transformer type							
600 A	-	5 VA	5 VA	10 VA	-	-	-	-
750 A	-	5 VA	10 VA	10 VA	-	-	-	-
800 A	-	5 VA	10 VA	10 VA	-	-	-	-
1000 A	5 VA	10 VA	10 VA	15 VA	-	3.75 VA	5 VA	10 VA
1200 A	5 VA	10 VA	10 VA	15 VA	-	5 VA	10 VA	15 VA
1250 A	5 VA	10 VA	10 VA	15 VA	-	5 VA	10 VA	15 VA
1500 A	7.5 VA	10 VA	15 VA	30 VA	5 VA	10 VA	15 VA	30 VA
1600 A	7.5 VA	10 VA	15 VA	30 VA	5 VA	10 VA	15 VA	30 VA
2000 A	10 VA	10 VA	15 VA	30 VA	7.5 VA	10 VA	30 VA	30 VA
2500 A	10 VA	15 VA	30 VA	30 VA	10 VA	15 VA	30 VA	45 VA
3000 A	10 VA	15 VA	30 VA	60 VA	10 VA	15 VA	30 VA	45 VA
4000 A	15 VA	30 VA	45 VA	60 VA	10 VA	15 VA	30 VA	45 VA
5000 A	15 VA	30 VA	100 VA	100 VA	15 VA	20 VA	30 VA	45 VA
6000 A	15 VA	60 VA	100 VA	100 VA	15 VA	20 VA	30 VA	45 VA
7500 A	-	-	-	-	15 VA	20 VA	30 VA	45 VA

**ORDER**

You must give: transformer type / primary current / secondary current / power / accuracy class  
Order example: LCTB 225/125 (50) 600/5A, 10VA, cl. 1

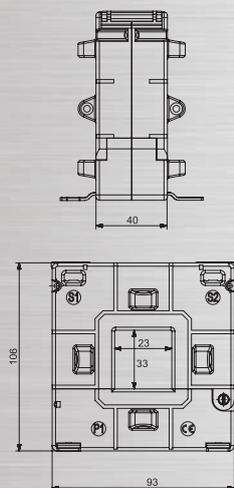
# SPLIT CORE - SERIES **LCTS**

	Type			
	LCTS 93/30SC (40)	LCTS 125/50SC (40)	LCTS 155/80SC (40)	LCTS 195/80SC (64)
Window dimensions	23 x 33 mm	82 x 52 mm	82 x 122mm	82 x 162 mm
Depth	40 mm	40 mm	40 mm	64 mm
Width	93 mm	125 mm	155 mm	195 mm
Primary winding	100 A...400 A	250 A...2000 A	250 A...3000 A	500 A...5000 A
Secondary winding	1 A, 5 A	1 A, 5 A	1 A, 5 A	1 A, 5 A
Accuracy class	0.5; 1; 3	0.5; 1	0.5; 1	0.5; 1

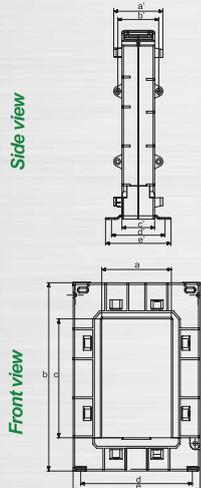


## DIMENSIONS

**LCTS 93/30SC (40)**



**LCTS 125/50SC, 155/80SC, 195/80SC**



Front view (dimension in mm)					
Type	a	b	c	d	e
125/50SC (40)	50	158	80	106	125
155/80SC (40)	80	198	120	136	155
195/80SC (64)	80	245	160	179	195

Side view (dimension in mm)					
Typ	a'	b'	c'	d'	e'
125/50SC (40)	60	50	40	65	80
155/80SC (40)	60	50	40	65	80
195/80SC (64)	84	74	64	80	100

Transformer type	LCTS 93/30SC (40)			LCTS 125/50SC (40)		LCTS 155/80SC (40)		LCTS 195/80SC (64)	
Accuracy class	0.5	1	3	0.5	1	0.5	1	0.5	1
Rated primary current	Transformer power								
100 A	-	1.5 VA	3.5 VA	-	-	-	-	-	-
150 A	-	1.75 VA	3.75 VA	-	-	-	-	-	-
200 A	-	2.5 VA	5 VA	-	-	-	-	-	-
250 A	-	3.75 VA	6.25 VA	1	2.5 VA	1.5 VA	2.5 VA	-	-
300 A	2.5 VA	5 VA	6.25 VA	2.5 VA	3.75 VA	2.5 VA	3.75 VA	-	-
400 A	3.75 VA	6.25 VA	10 VA	2.5 VA	3.75 VA	2.5 VA	3.75 VA	-	-
500 A	-	-	-	3.75 VA	5 VA	3.75 VA	5 VA	1.25 VA	5 VA
600 A	-	-	-	5 VA	7.5 VA	5 VA	7.5 VA	1.25 VA	5 VA
750 A	-	-	-	7.5 VA	10 VA	7.5 VA	10 VA	5 VA	10 VA
800 A	-	-	-	7.5 VA	10 VA	7.5 VA	10 VA	7.5 VA	10 VA
1000 A	-	-	-	10 VA	15 VA	10 VA	15 VA	10 VA	20 VA
1200 A	-	-	-	10 VA	15 VA	15 VA	30 VA	15 VA	20 VA
1250 A	-	-	-	10 VA	15 VA	15 VA	30 VA	15 VA	20 VA
1500 A	-	-	-	10 VA	15 VA	20 VA	45 VA	20 VA	30 VA
1600 A	-	-	-	10 VA	15 VA	20 VA	45 VA	20 VA	30 VA
2000 A	-	-	-	10 VA	15 VA	20 VA	45 VA	25 VA	30 VA
2500 A	-	-	-	-	-	25 VA	45 VA	25 VA	30 VA
3000 A	-	-	-	-	-	30 VA	45 VA	30 VA	45 VA
4000 A	-	-	-	-	-	-	-	30 VA	45 VA
5000 A	-	-	-	-	-	-	-	30 VA	45 VA

### ORDER

You must give: transformer type / primary current / secondary current / power / accuracy class

Order example: LCTS 93/30SC (40) 100/5A, 1.5VA, cl. 1

### INPUT:

100 A  
...  
5000 A

### OUTPUTS:

5 A 1 A

### SEE ALSO:



Analog meters  
EA series



Power network  
meters ND20 and  
ND1 type.



Digital meters  
N24Z and N25Z  
types

### Sales Department:

Tel: (+48 68) 45 75 139; 45 75 305; 45 75 321; 45 75 368;  
Fax: +48 68 32 55 650  
e-mail: export@lumel.com.pl

„LUMEL” S.A.  
ul. Słubicka 1  
65-127 Zielona Góra  
[WWW.LUMEL.COM.PL](http://WWW.LUMEL.COM.PL)

**SEE ALSO:**



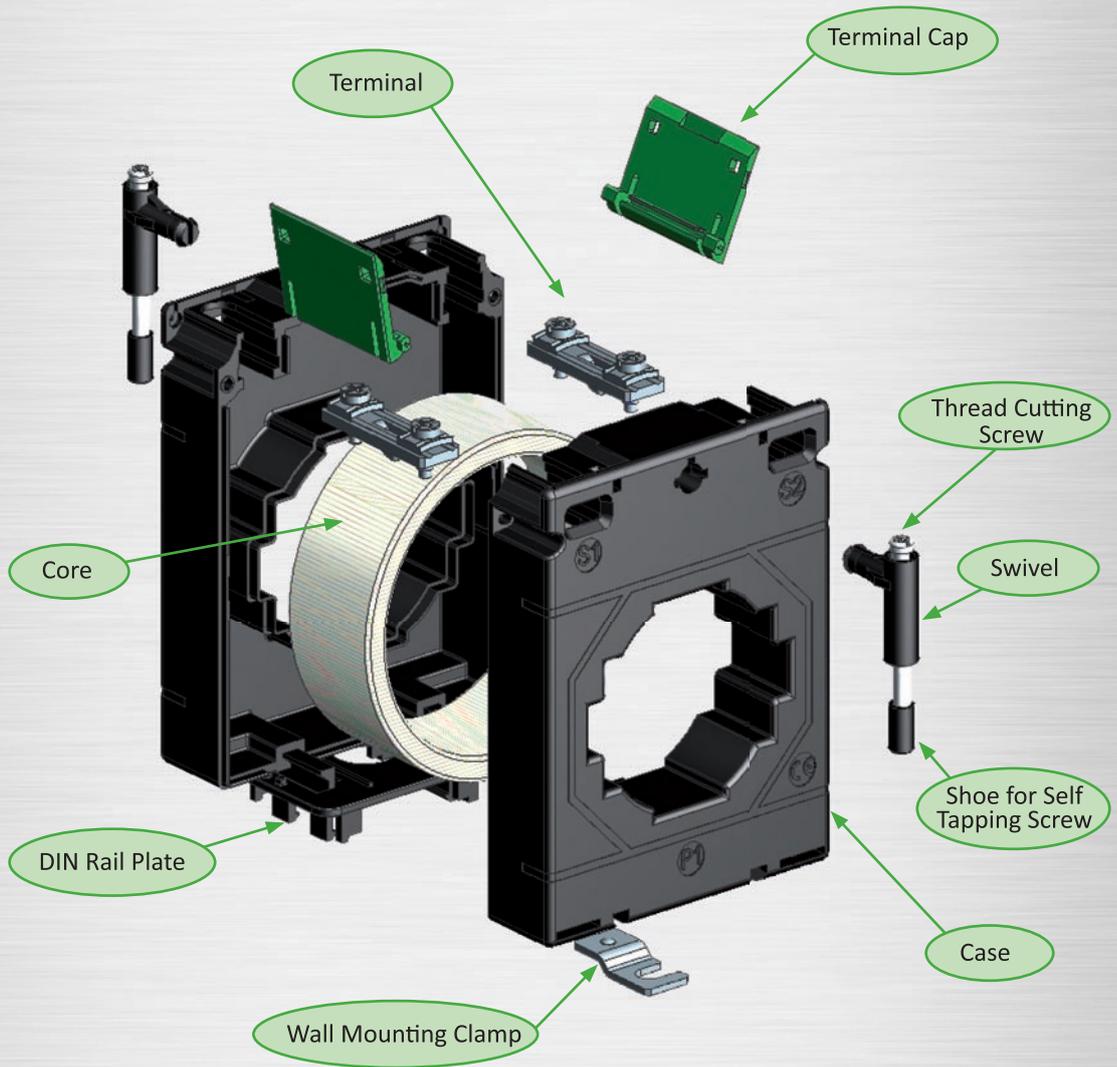
Analog meters  
EA series



1- and 3-phase  
power transducers  
P41 and P43 types.



Digital meter  
N30P type



Description	View
Thread cutting screw 8 x 35mm	
Thread cutting screw 8 x 45mm	
Thread cutting screw 8 x 75mm	
Wall mounting clamp	
Swivel	
Shoe for self tapping M4 screw	

**Sales Department:**  
Tel: (+48 68) 45 75 139; 45 75 305; 45 75 321; 45 75 368;  
Fax: +48 68 32 55 650  
e-mail: export@lumel.com.pl

„LUMEL” S.A.  
ul. Słubicka 1  
65-127 Zielona Góra  
**WWW.LUMEL.COM.PL**

## DIN Rail Mounting Base:

Order code	Transformer type	View
0904-130-123	LCTR 50 (30), LCTB 50 (30)	
0904-130-002	LCTR 45, LCTB 45	
0904-130-124	LCTM 62W, LCTM 74W LCTR 62 LCTB 62 (40), LCTB 74, LCTB 86, LCTB 100, LCTB 104	

## Busbar mounting kit:

Kit order code	Description	No. of pcs.	Transformer type
0904-130-140	Wall mounting clamp	2	LCTR 45, LCTB 45, LCTM 62W, LCTM 74W
0904-130-141	Thread cutting screw 8 x 35mm	2	LCTR 50, LCTB 50
	Wall mounting clamp	2	
	Swivel	2	
	Shoe for self tapping M4 screw	2	
0904-130-142	Thread cutting screw 8 x 45mm	2	LCTR 62, LCTB 62, LCTB 74, LCTB 86
	Wall mounting clamp	2	
	Swivel	2	
	Shoe for self tapping M4 screw	2	
0904-130-143	Thread cutting screw 8 x 45mm	4	LCTB 104
	Wall mounting clamp	2	
	Swivel	4	
	Shoe for self tapping M4 screw	4	
0904-130-144	Thread cutting screw 8 x 75mm	4	LCTB 140
	Wall mounting clamp	2	
	Swivel	4	
	Shoe for self tapping M4 screw	4	
0904-130-145	Thread cutting screw 8 x 75mm	1	LCTB 140/130 V
	Thread cutting screw 8 x 45mm	5	
	Wall mounting clamp	2	
	Shoe for self tapping M4 screw	6	
0904-130-146	Thread cutting screw 8 x 75mm	6	LCTB 225
	Wall mounting clamp	2	
	Shoe for self tapping M4 screw	6	
0904-130-147	Thread cutting screw 8 x 35mm	6	LCTB 100/100 V, LCT 100/130 V
	Wall mounting clamp	2	
	Shoe for self tapping M4 screw	4	

### SEE ALSO:



Analog meters  
EA series



Power network  
meters ND20 and  
ND1 type.

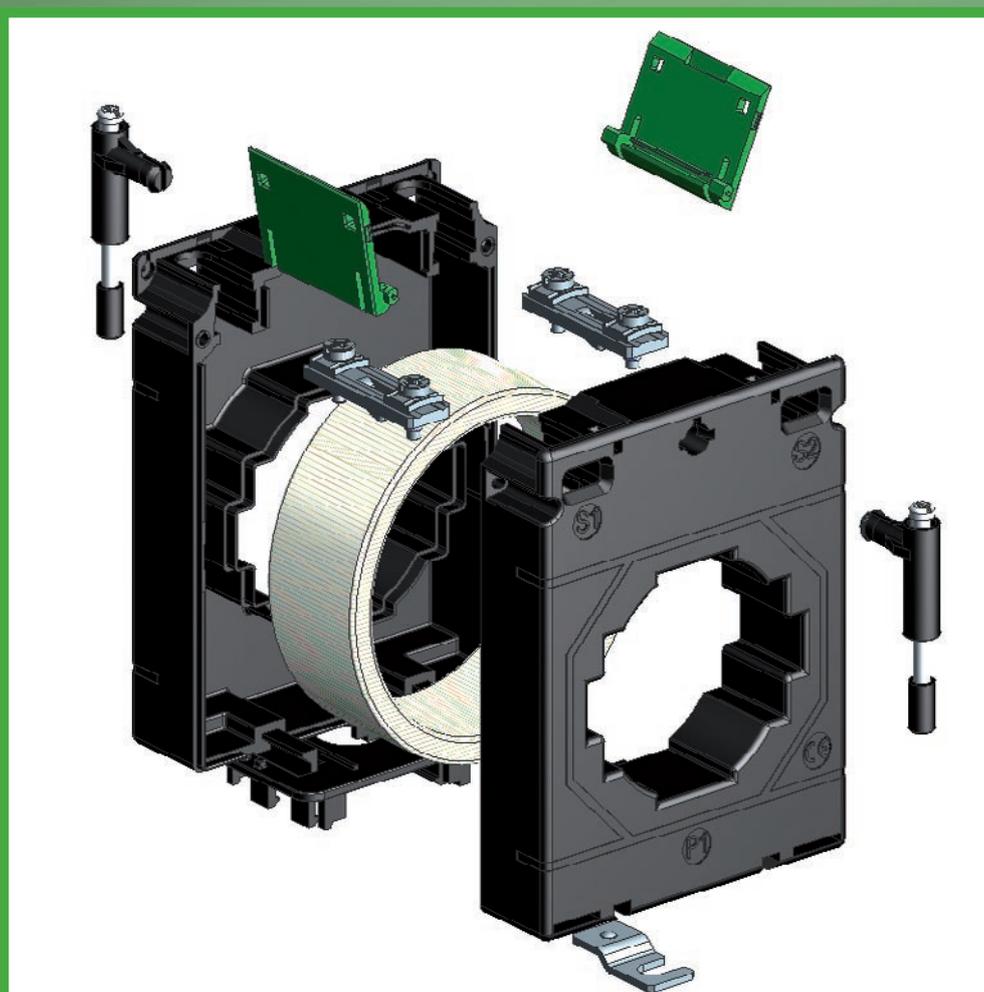


Digital meters  
N24Z and N25Z  
types

### Sales Department:

Tel: (+48 68) 45 75 139; 45 75 305; 45 75 321; 45 75 368;  
Fax: +48 68 32 55 650  
e-mail: [export@lumel.com.pl](mailto:export@lumel.com.pl)

„LUMEL” S.A.  
ul. Słubicka 1  
65-127 Zielona Góra  
[WWW.LUMEL.COM.PL](http://WWW.LUMEL.COM.PL)



**LUMEL**

**„LUMEL” S.A.**

ul. Słubicka 1, 65-127 Zielona Góra, POLAND  
**Export department:** (+48 68) 45 75 139; 45 75 305;  
45 75 321; 45 75 386  
fax: +48 68 32 54 091  
e-mail: [export@lumel.com.pl](mailto:export@lumel.com.pl)

**[WWW.LUMEL.COM.PL](http://WWW.LUMEL.COM.PL)**