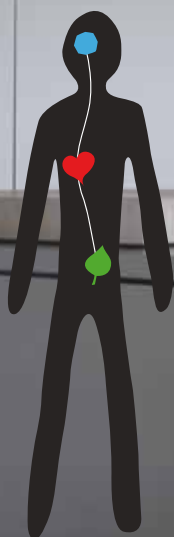


niko
Illuminating ideas.

General catalogue

2011 - 2012

Export



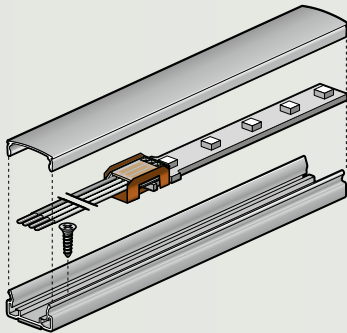
Niko Home Control



LED lighting

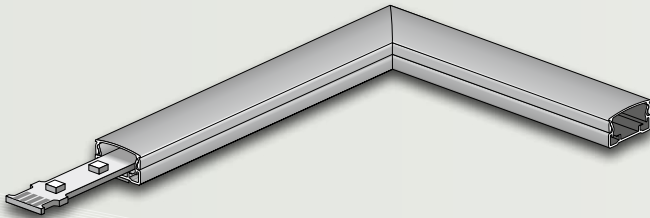
Atmosphere and comfort in all simplicity

We cannot imagine a modern home without atmospheric and orientation lighting. With Niko LED strips and controls, you can create atmosphere and comfort in an energy-efficient manner!



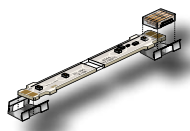
TECHNICAL ADVANTAGES

- **energy-efficient**
 - LED strips with a power consumption of only 2.5W
- **simple to mount**
 - plug-and-play, foolproof connection system
 - protective profile with double-sided tape and screws
 - LED strips can be clicked into the profile (no glue or screws required)
- **customising**
 - strips can easily be cut every 10cm
 - angles and curves can be bridged without difficulty



- **extensive possibilities**
 - stand-alone or in connection with Nikobus
 - 3 whites (2800K, 4000K, 6500K) standard available
 - available in a whole range of colours (blue, green, red, amber, RGB)
 - dimmable
- **continuous line of light**
 - always uniform lighting over the entire light line
- **control**
 - dimming LED strips to create the desired atmosphere
 - colour control of LED strips that is fitting for every interior





White LED strip with monochrome LEDs

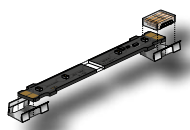
White LED strip with monochrome LEDs. Thanks to the new plug-and-play connection system, installation is very simple. Interconnection through the supplied board-to-board connector on the top of the print without creating a difference in centre distance between the LEDs. This provides uniform light over the entire light line. The asymmetric shape of the clip makes it impossible to interconnect the strips incorrectly. Each LED strip can be subdivided into 4 usable parts of 10cm each.

The LED strips are glued at connector height to simplify mounting or possible demounting. The LED strips are designed to be flush mounted into the Niko protection profile (ref. 340-00301). For connection around a corner or connection with the power supply, the Niko connectors with ref. 340-00304 and ref. 340-00305 must be used.

- dimensions: L400mm x W14.5mm x D6.5mm
- weight: ± 17 g
- protection degree: IP20 (in combination with 340-00301)
- number of LEDs per strip: 20 (white, green, blue); 32 (red, amber)
- max. length with 1 power supply: 8m (white LEDs); 6m (colour LEDs)
- power supply voltage: 24V DC
- power consumption: 2.5W
- ambient temperature: -5 to 45°C

Complete unit

LED strip cold white 6500K	340-00001	Pack: 5
LED strip neutral white 4000K	340-00002	Pack: 5
LED strip warm white 2800K	340-00003	Pack: 5
LED strip blue	340-00004	Pack: 5
LED strip green	340-00005	Pack: 5
LED strip red	340-00006	Pack: 5
LED strip amber	340-00007	Pack: 5



Black LED strip with monochrome LEDs

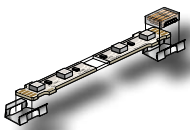
Black LED strip with monochrome LEDs. Thanks to the new plug-and-play connection system, installation is very simple. Interconnection through the supplied board-to-board connector on the top of the print without creating a difference in centre distance between the LEDs. This provides uniform light over the entire light line. The asymmetric shape of the clip makes it impossible to interconnect the strips incorrectly. Every LED strip can be subdivided into 4 usable parts of 10cm each.

The LED strips are glued at connector height to simplify mounting or possible demounting. The LED strips are designed to be flush mounted into the Niko protection profile (ref. 340-00301). For connection around a corner or connection with the power supply, the Niko connectors with ref. 340-00304 and ref. 340-00305 must be used.

- dimensions: L400mm x W14.5mm x D6.5mm
- weight: ± 17 g
- protection degree: IP20 (in combination with 340-00301)
- number of LEDs per strip: 20 (white, green, blue); 32 (red, amber)
- max. length with 1 power supply: 8m (white LEDs); 6m (colour LEDs)
- power supply voltage: 24V DC
- power consumption: 2.5W
- ambient temperature: -5 to 45°C

Complete units

LED strip cold white 6500K	340-00008	Pack: 5
LED strip neutral white 4000K	340-00009	Pack: 5
LED strip warm white 2800K	340-00010	Pack: 5
LED strip blue	340-00011	Pack: 5
LED strip green	340-00012	Pack: 5
LED strip red	340-00013	Pack: 5
LED strip amber	340-00014	Pack: 5



White LED strip with RGB LEDs

White LED strip with RGB LEDs. Thanks to the new plug-and-play connection system, installation is very simple. Interconnection through the supplied board-to-board connector on the top of the print without creating a difference in centre distance between the LEDs. This provides uniform light over the entire light line. The asymmetric shape of the clip makes it impossible to interconnect the strips incorrectly. Every LED strip can be subdivided into 4 usable parts of 10cm each.

The LED strips are glued at connector height to simplify mounting or possible demounting. The LED strips are designed to be flush mounted into the Niko protection profile (ref. 340-00301). For connection around a corner or connection with the power supply, the Niko connectors with ref. 340-00304 and ref. 340-00305 must be used.

- dimensions: L400mm x W14.5mm x D6.5mm
- weight: ± 20 g
- protection degree: IP20 (in combination with 340-00301)
- number of LEDs per strip: 20
- max. length with 1 power supply: 4m
- power supply voltage: 24V DC
- power consumption: 5W
- ambient temperature: -5 to 45°C

Complete unit

LED strip with RGB LEDs	340-00101	Pack: 5
-------------------------	------------------	---------

Black LED strip with RGB LEDs

Black LED strip with RGB LEDs. Thanks to the new plug-and-play connection system, installation is very simple. Interconnection through the supplied board-to-board connector on the top of the print without creating a difference in centre distance between the LEDs. This provides uniform light over the entire light line. The asymmetric shape of the clip makes it impossible to interconnect the strips incorrectly. Every LED strip can be subdivided into 4 usable parts of 10cm each.

The LED strips are glued at connector height to simplify mounting or possible demounting. The LED strips are designed to be flush mounted into the Niko protection profile (ref. 340-00301). For connection around a corner or connection with the power supply, the Niko connectors with ref. 340-00304 and ref. 340-00305 must be used.

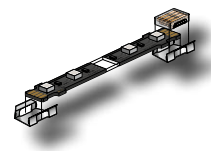
- dimensions: L400mm x W14.5mm x D6.5mm
- weight: ± 20 g
- protection degree: IP20 (in combination with 340-00301)
- number of LEDs per strip: 20
- max. length with 1 power supply: 4m
- power supply voltage: 24V DC
- power consumption: 5W
- ambient temperature: -5 to 45°C

Complete unit

LED strip with RGB LEDs

340-00102

Pack: 5





DIN rail power supply for LED strips 24V DC - 25W

This 25W power supply is suitable for powering LEDs and is designed for DIN rail mounting. Equipped with 1 primary input and 4 secondary terminals for easy connection of 2 loads. Screw terminals are utilized at both primary and secondary sides. The output voltage range is adjustable. Complies with the European directives for EMC and safety (EN60950-1).

- dimensions: 4.5 DIN modules (W78mm x H93mm x D56mm)
- weight: ± 270 g
- operating temperature: -20 to 60°C
- ambient temperature: 35°C
- protected against short-circuit, overvoltage and overload (self-restoring)
- input terminals (1 pair): 2 x 1.5mm² or 1 x 2.5mm²
- power supply voltage 100 - 240V AC; frequency 50 - 60Hz
- output terminals (2 pair): 2 x 1.5mm² or 1 x 2.5mm²
- adjustable output voltage range: 21.6 - 26.4V DC
- nominal current / power consumption: 1.04A / 25W
- ripple: 150mVp-p
- SELV

Complete unit

DIN rail power supply for LED strips 24V DC - 25W

340-00021

Pack: 1



DIN rail power supply for LED strips 24V DC - 50W

This 50W power supply is suitable for powering LEDs and is designed for DIN rail mounting. Equipped with 1 primary input and 4 secondary terminals for easy connection of 2 loads. Screw terminals are utilized at both primary and secondary sides. The output voltage range is adjustable. Complies with the European directives for EMC and safety (EN60950-1).

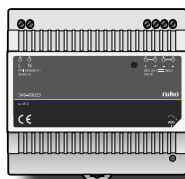
- dimensions: 4.5 DIN modules (W78mm x H93mm x D56mm)
- weight: ± 300 g
- operating temperature: -20 to 60°C
- ambient temperature: 35°C
- protected against short-circuit, overvoltage and overload (self-restoring)
- input terminals (1 pair): 2 x 1.5mm² or 1 x 2.5mm²
- power supply voltage: 100 - 240V AC; frequency 50 - 60Hz
- output terminals (2 pair): 2 x 1.5mm² or 1 x 2.5mm²
- adjustable output voltage range: 21.6 - 26.4V DC
- nominal current / power consumption: 2.08A / 50W
- ripple: 150mVp-p
- SELV

Complete unit

DIN rail power supply for LED strips 24V DC - 50W

340-00022

Pack: 1



DIN rail power supply for LED strips 24V DC - 100W

This 100W power supply is suitable for powering LEDs and is designed for DIN rail mounting. Equipped with 1 primary input and 4 secondary terminals for easy connection of 2 loads. Screw terminals are utilized at both primary and secondary sides. The output voltage range is adjustable. Complies with the European directives for EMC and safety (EN60950-1).

- dimensions: 6 DIN modules (W100mm x H93mm x D56mm)
- weight: ± 350 g
- operating temperature: -20 to 60°C
- ambient temperature: 35°C
- protected against short-circuit, overvoltage and overload (self-restoring)
- input terminals (1 pair): 2 x 1.5mm² or 1 x 2.5mm²
- power supply voltage: 100 - 240V AC; frequency 50 - 60Hz
- output terminals (2 pair): 2 x 1.5mm² or 1 x 2.5mm²
- adjustable output voltage range: 21.6 - 26.4V DC
- nominal current / power consumption: 4.2A / 100W
- ripple: 150mVp-p
- SELV

Complete unit

DIN rail power supply for LED strips 24V DC - 100W

340-00023

Pack: 1



Power supply for LED strips 24V DC - 25W

This 25W power supply is suitable for powering LEDs. Thanks to Niko's new click system, strain relief is ensured. Equipped with 2 secondary outputs for easy connection of 2 loads, and 2 primary inputs for easy interconnecting (max.8x). Screw terminals are utilized at both primary and secondary sides. Easy to install in small spaces thanks to its compact dimensions.

Complies with the European directives for EMC and safety (EN61347-2-13).

- dimensions: H116mm x W52mm x D32mm
- weight: ± 120 g
- LED strips: max. 10x monochrome, 5x RGB
- 4-fold primary connection terminal: 1 x 2.5mm² or 2 x 1.5mm² with screw terminal
- power supply voltage: 230V; frequency: 50Hz
- 4-fold secondary connection terminal: 1 x 2.5mm² or 2 x 1.5mm² with screw terminal
- output voltage: 24V DC
- min. diameter: 55mm
- flush-mounting height in false ceiling: min. 100mm
- protection degree: IP20
- filament test: 850°C
- ambient temperature: 40°C; Tc: 70°C
- SELV

Complete unit

Power supply for LED strips 24V DC - 25W

340-00015

Pack: 10

Power supply for LED strips 24V DC - 25W (IP65)

This 25W power supply is suitable for powering LEDs. The device has an IP65 rating. It is dustproof and splash proof and is therefore especially suitable for installation in a damp room, such as a bathroom or a kitchen. The cables are fixed by means of resin. The primary side is equipped with a rubber cable. The secondary side has a silicone wire which allows a direct connection to the LEDs. Easy to install in small spaces thanks to its compact dimensions.

Complies with the European directives for EMC and safety (EN61347-2-13).

- dimensions: H75mm x W52mm x D32mm
- weight: ± 220 g
- LED strips: max. 10x monochrome, 5x RGB
- primary connection: rubber cable 2 x 1mm²; length: 50cm
- power supply voltage: 230V; frequency: 50Hz
- secondary connection: silicone wire 2 x 0.75mm²; length: 30cm
- output voltage: 24V DC
- min. diameter: 55mm
- flush-mounting height in false ceiling: min. 100mm
- protection degree: IP65
- filament test: 850°C
- ambient temperature: 40°C; Tc: 75°C
- SELV

Complete unit

Power supply for LED strips 24V DC - 25W (IP65)

340-00018

Pack: 5





PWM dimmer (max. 25W)

The PWM dimmer will be used to dim Niko LED strips with monochrome LEDs, up to a maximum capacity of 25W (corresponds to 10 Niko LED strips). The light intensity is dimmed linearly by means of an NO push button or potentiometer (10k Ω , linear). Press the NO push button briefly for switching on and off. Hold down the NO push button for dimming and brightening the light.

- suitable for Niko LED strips with monochrome LEDs
- power supply voltage: 8 – 24V DC
- 2-fold primary connection: max. 2 x 1.5mm² or 1 x 2.5mm²
- 2-fold secondary connection: max. 2 x 1.5mm² or 1 x 2.5mm²
- 2-fold connection for NO push button: max. 2 x 1.5mm² or 1 x 2.5mm²
- dimensions: 100x48x28mm (HxWxD)
- minimum flush-mounting diameter: 55mm
- flush-mounting height in false ceiling: min. 100mm
- IP20
- CE marked
- ambient temperature: -5 – 55°C
- maximum connection capacity: 25W

Complete unit

Complete unit

340-10027

Pack: 1



PWM dimmer (max. 100W)

The PWM dimmer will be used to dim Niko LED strips with monochrome LEDs, up to a maximum capacity of 100W (corresponds to 40 Niko LED strips). The light intensity is dimmed linearly by means of an NO push button or potentiometer (10k Ω , linear). Press the NO push button briefly for switching on and off. Hold down the NO push button for dimming and brightening the light.

- suitable for Niko LED strips with monochrome LEDs
- power supply voltage: 8 – 24V DC
- 2-fold primary connection: max. 2 x 1.5mm² or 1 x 2.5mm²
- 2-fold secondary connection: max. 2 x 1.5mm² or 1 x 2.5mm²
- 2-fold connection for NO push button: max. 2 x 1.5mm² or 1 x 2.5mm²
- dimensions: 100x48x28mm (HxWxD)
- minimum flush-mounting diameter: 55mm
- flush-mounting height in false ceiling: min. 100mm
- IP20
- CE marked
- ambient temperature: -5 – 55°C
- maximum connection capacity: 100W

Complete unit

Complete unit

340-10028

Pack: 1



LED dimmer receiver (24V DC, 25W)

This single-channel LED dimmer-receiver will be used to dim LED lighting that operates on 24V DC (max. 25W). The design of the dimmer-receiver makes it easy to conceal (e.g. in false ceilings). Each controller can control an unlimited number of receivers simultaneously. Each receiver can be controlled by up to 16 controllers. **Only compatible with products with an io-homecontrol® logo**



- RF system: io-homecontrol®
- frequency: 868 – 870MHz
- transmission range: \pm 30m indoors, 100m in open spaces
- power supply voltage: 230V~, 50Hz
- primary connection: 1 x 2.5mm² or 2 x 1.5mm²
- secondary connection: 1 x 1.5mm²
- maximum load: 24V DC, 25W (PWM output); suitable for max. 10 mono-chrome Niko LED strips
- dimensions: 116x52x32mm (HxWxD)
- IP20
- weight: \pm 120g
- minimum flush-mounting diameter: 55mm
- flush-mounting height in false ceiling: min. 100mm
- protected against overload, overheating and short-circuit

Complete unit

Complete unit

340-00024

Pack: 5



RGB controller (max. 50W)

The RGB controller will be used to control Niko RGB LED strips, up to a maximum capacity of 50W (corresponds to 10 LED strips with RGB leds). In addition to the on/off function, there are two modes available. These two modes can be selected with an NO push button. Press the NO push button briefly to run through the different modes (on, fade, fixed colour, off). The speed of the “fade” mode or the intensity of the “fixed colour” mode can be adjusted by holding down the NO push button.

- suitable for Niko RGB LED strips
- power supply voltage: 8 – 24V DC
- 2-fold primary connection: max. 2 x 1.5mm² or 1 x 2.5mm²
- 4-fold secondary connection (connection to Niko LED strips): 3 PWM outputs and 1 common connection
- 2-fold connection for NO push button: max. 2 x 1.5mm² or 1 x 2.5mm²
- dimensions: 116x52x32mm (HxWxD)
- minimum flush-mounting diameter: 55mm
- flush-mounting height in false ceiling: min. 100mm
- IP20
- CE marked
- ambient temperature: -5 – 55°C
- maximum connection capacity: 50W

Complete unit

Complete unit

340-00110

Pack: 10

Nikobus LED controller (max. 100W)

The LED controller can be used for the control of both monochrome and RGB Niko LED strips, and it can be connected directly to Nikobus. The controller settings can be controlled via the Nikobus software. Total of 15 control modes: all 15 modes for RGB LED strips (including dim on/off, change colour, adjust brightness, etc.) and 9 for monochrome LED strips (including dim on/off, delayed switch-off, etc.). The factory setting provides for manual programming of a 4-button control for RGB colour and brightness. The other modes must be set via the Nikobus software. The same Nikobus software can be used to connect multiple colour controllers in a master-slave configuration, so they will respond synchronously to the same control. Such a configuration is limited to maximum four masters per system and maximum 8 slaves per master.

- suitable for Niko LED strips
- bus connection: 9V DC (SELV, safety extreme low voltage)
- power supply voltage: 24V DC
- 4-fold primary terminal connection: max. 2 x 1.5mm² or 1 x 2.5mm²
- 5-fold secondary terminal connection: max. 2 x 1.5mm² or 1 x 2.5mm²
- 3 PWM outputs and 1 common connection which make it possible to distribute the monochrome LED strips over 3 outputs or to use 1 output for RGB LED strips
- dimensions: H116mm x W52mm x D32mm
- min. diameter: 55mm
- flush-mounting height in false ceiling: min. 100mm
- protection degree: IP20
- CE approved
- ambient temperature: -5 to 55°C
- maximum load to be connected: 100W, max. 50W per output

Complete unit

Complete unit

340-00112

Pack: 5

**Nikobus orientation lighting with RGB LEDs**

Orientation lighting with RGB LEDs can be directly connected to Nikobus. Total of 15 control modes (including dim on/off, change colour, adjust brightness, etc.). The factory setting provides for manual programming of a 4-button control for RGB colour and brightness. The other modes must be set via the Nikobus software. The same Nikobus software can be used to connect multiple colour controllers in a master-slave configuration, so they will respond synchronously to the same control. Such a configuration is limited to maximum four masters per system and maximum 8 slaves per master. This item can be equipped with a backup battery 170-38020 (NiMH, to be ordered separately). In the event of a power failure, the integrated backup battery takes over for a period of 15min.

- suitable only for flush-mounting box with a min. 50mm mounting depth
- no plaster kit needed
- LEDs on 12 - 24V DC, external power supply
- bus connection 9V DC (SELV, safety extreme low voltage)
- connects directly to Nikobus
- no heat, IR or UV radiation
- equipped with 4 RGB LEDs
- terminal connection: min. 2 x 0.5 mm² - max. 2 x 1.5mm²
- IP41, IK06
- CE approved
- power consumption: 0.8W
- ambient temperature: -5 to 55°C

Complete units**340-00111**

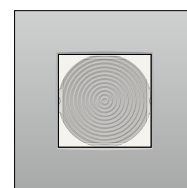
With plug-in terminals and screw fixing

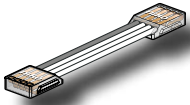
Pack: 6

**340-00113**

With plug-in terminals and claw fixing

Pack: 6





LED connector for interconnection in angles and curves

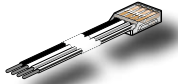
Connector for mounting LED strips in at angle or mounting them at spaced intervals. The length of the cable between the connectors is 14cm.

Complete unit

Connector (board-to-wire-to-board)

340-00304

Pack: 5



LED connector for connection to power supply (board-to-wire)

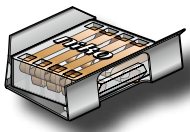
Connector to connect LED strips to the power supply. The connector can be positioned at any contact point on the LED strip. This provides a continuous light line without creating a difference in centre distance between the LEDs, even where a connection to the power supply is made. The length of the cables is 150cm.

Complete unit

Connector (board-to-wire)

340-00305

Pack: 5



LED connector for interconnection (board-to-board)

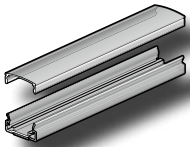
In case extra connectors are needed for interconnecting Niko LED strips. Each LED strip is standard equipped with 2 clips and 1 connector. The connector is designed so that a continuous line of light can be created without a difference in the centre distance between the LEDs.

Complete unit

Connector (board-to-board)

340-00306

Pack: 5



Protection profile 2m, incl. screws and tape

Transparent protection profile made of UV stabilized polycarbonate; suitable for both monochrome and RGB LEDs. Must be shortened to the desired length. A number of screw openings are provided to ensure simple installation. The profile can be attached with screws using the screws supplied or can be affixed with the tape supplied. The LED strip itself can be slid into the profile from the side or clicked into the profile from the top.

- Dimensions: L2000mm x W19mm x H12.5mm
- weight: ± 150 g
- Material: environmentally friendly polycarbonate
- Screw type: countersunk chipboard crosshead screws PZ1; 3 x 12mm

Complete unit

Protection profile 2m

340-00301

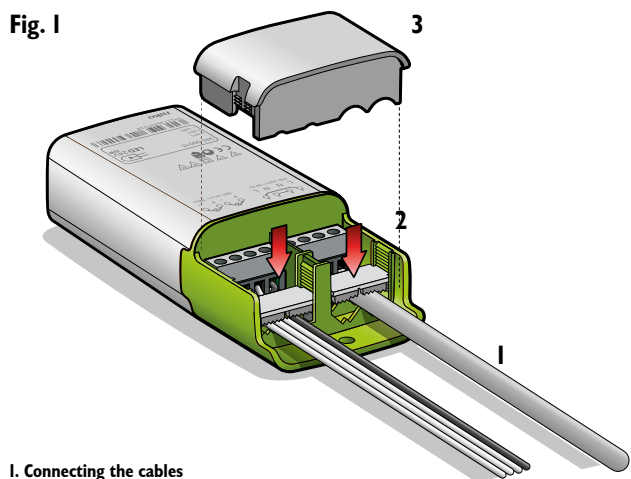
Pack: 1

LED POWER SUPPLIES

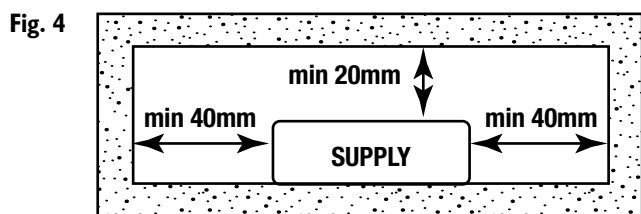
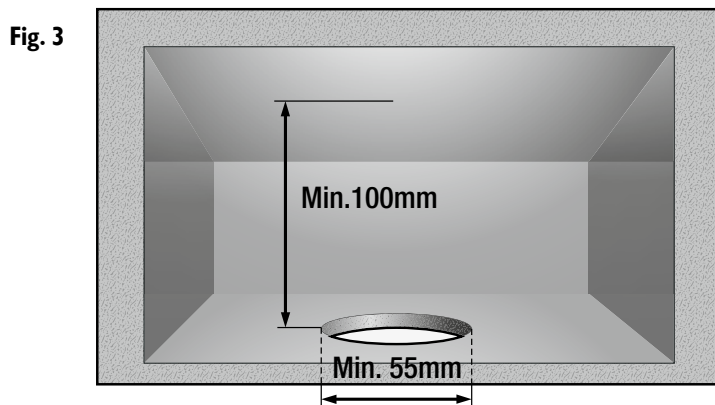
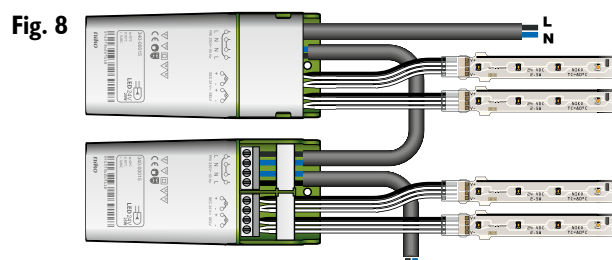
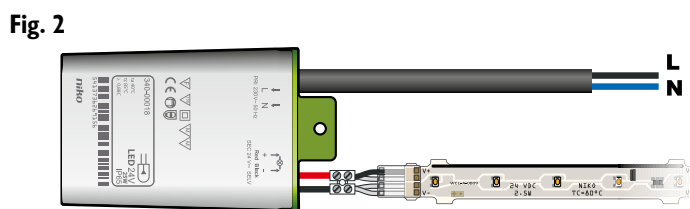
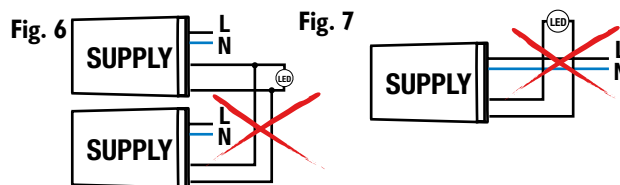
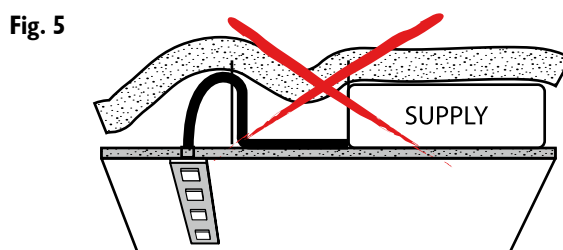
Reference	Description	Max. W	T _a : -10...	T _c	Primary current
340-00015	25W, PRI and SEC terminals, IP20	25W	+ 40°C	70°C	188mA
340-00018	25W, PRI and SEC wires, IP65	25W	+ 40°C	75°C	188mA

MOUNTING

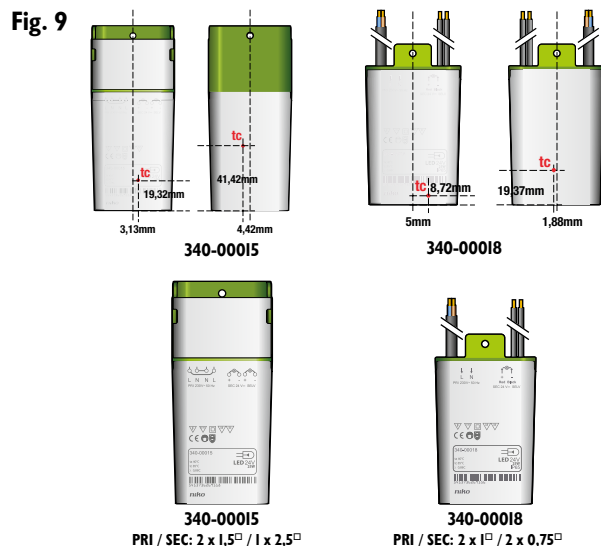
- For the attachment of power supplies to a wall, an eye is provided at the top of the device (max. diameter: 4.5mm).
- For mounting the power supply 340-00015, see figure 1. For mounting the power supply 340-00018, see figure 2.
- To flush mount the power supplies, an opening with a minimum diameter of 55mm and a flush-mounting height of minimum 100mm is required (fig. 3).
- Observe the minimum distances around the power supply (fig. 4).
- Optimal heat dissipation is required to guarantee proper operation (fig. 5).
- Do not connect the output wires of both power supplies in parallel (fig. 6).
- Keep the power supply wires (PRI) and the output wires (SEC) separate (fig. 7).
- Make sure that connections L and N are connected correctly when using power supplies with double input terminals (fig. 8).
- The use of 1.5mm² and 2.5mm² wires is allowed under certain conditions. If the interconnection function of the power supply 340-00015 is used, the circuit must be protected by a 10A fuse. No socket outlets may be incorporated into these circuits.
- When flush mounting, take into account the allowable T_c temperature. See figure 9 for the T_c measurement points.
- Power supply 340-00018 has an IP65 protection degree. In order to guarantee this protection class, the connection has to be made in a junction box with the same IP class or higher.



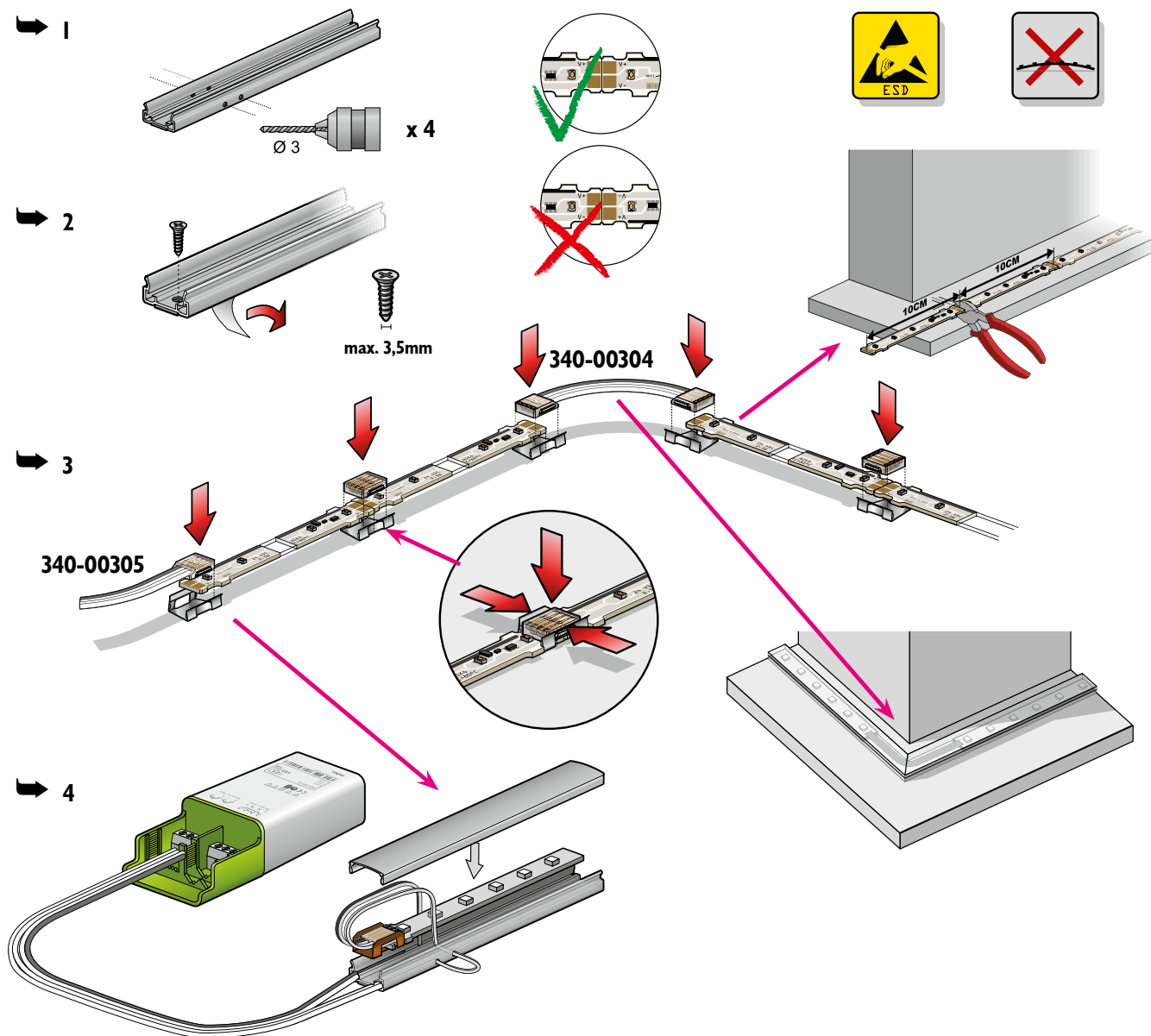
1. Connecting the cables
2. Securing the strain relief
3. Fitting the cover shielding the 230V terminals



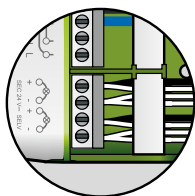
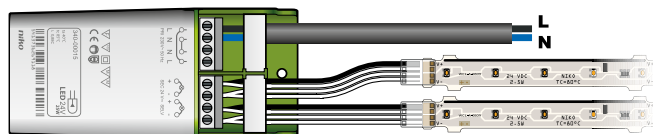
Interconnection: max. 8 x 340-00015



LED LIGHTING



Monochrome



Power supplies

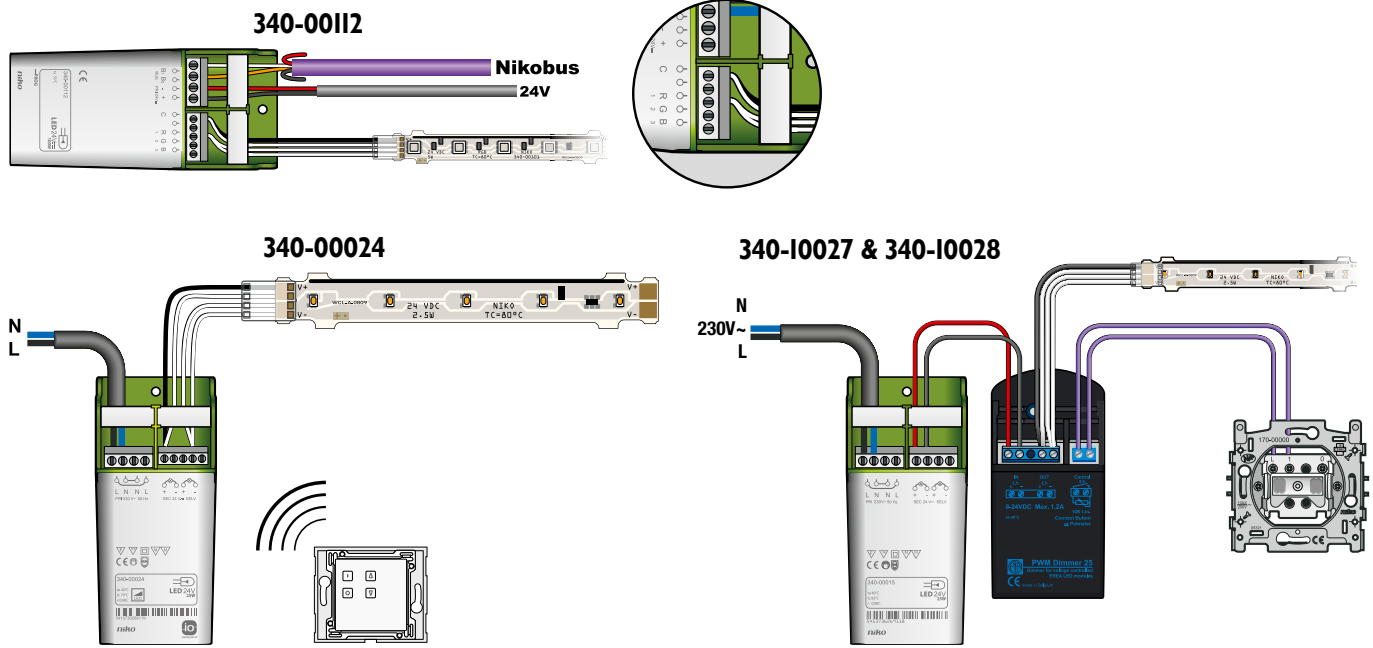
Table: determination of the number of power supplies

		White LEDs		Colour LEDs		RGB LEDs	
		Number*	Length**	Number*	Length**	Number*	Length**
25W	IP20/IP65	Max 10 strips	Max 4m	Max 10 strips	Max 4m	Max 5 strips	Max 2m
25W	DIN-rail	Max 10 strips	Max 4m	Max 10 strips	Max 4m	Max 5 strips	Max 2m
50W	DIN-rail	Max 20 strips	Max 8m	Max 20 strips	Max 6m	Max 10 strips	Max 4m
100W	DIN-rail	Max 40 strips	Max 8m	Max 40 strips	Max 6m	Max 20 strips	Max 4m

* Maximum number of strips per power supply.

** Maximum length of strips per power supply connection (due to voltage drop).

WIRING DIAGRAMS MONOCHROME LED STRIPS



WIRING DIAGRAMS RGB LED STRIPS

