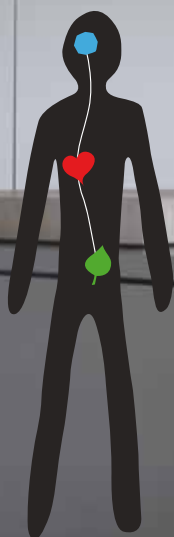


niko
Illuminating ideas.

General catalogue

2011 - 2012

Export



Niko Home Control



Lighting control

More atmosphere

The time when lighting control was simply switching the lights on and off is long gone. Nowadays, lighting control is creativity. With the Niko lighting control, you can program different atmospheres for one room. The possibilities are limitless.

TECHNICAL ADVANTAGES

- **dims an extensive range of lamps: from incandescent lamps to low-voltage halogen lamps.**
- **universal**
 - the choice of fitting or light source can be made afterwards
- **PLC filter**
 - prevents the lamps from blinking during the switchover from day to night rate
- **all dimmers comply to EN60669-2-1**
 - the EMC and safety rules are respected
 - additional external filters or compensations are not required
 - no interference from television sets or heavy loads



- **overload protection and short-circuit protection**
 - if the load is too large or simply wrong, if there is a cabling error, if a lamp is defective ..., the dimmers go in safety mode, they do not break



Modular dimmer 450VA

Dimmer suitable for incandescent lamps, 230V halogen lamps and low-voltage halogen with ferromagnetic transformers or toroidal core transformers. Operation via 230V AC N.O. push button; up to 30 in parallel. Use with or without memory. Complies with the European directives for EMC and safety EN60669-2-1.

- 230V AC $\pm 10\%$, 40 to 60Hz
- incandescent lamps: 450W
- 230V halogen: 450W
- ferromagnetic transformer: 450VA
- toroidal core transformer: 450VA
- min. load: 40W/50VA
- overload protection with automatic reset function
- short-circuit protection through cartridge fuse
- PLC filter for interference signals transmitted via the mains
- 2 x 1.5mm² or 1 x 2.5mm²
- ambient temperature: 35°C
- dimensions: 1 DIN module (H89mm x W17.5mm x D60mm)
- weight: ± 94 g

Complete unit

Complete unit

05-704

Pack: 10

Accessories



04-226-20

Replacement fuse F3,15AH for dimmer 310-018xx, 310-026xx and 05-704

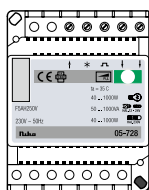
Pack: 10



09-794-31

Fuse holder for dimmer 05-704

Pack: 10



Modular dimmer 1000VA

Dimmer suitable for incandescent lamps, 230V halogen lamps and low-voltage halogen with ferromagnetic transformers or toroidal core transformers. Operation via 230V AC N.O. push button or without voltage. Max. 30 dimmers in parallel. Use with or without memory. Complies with the European directives for EMC and safety EN60669-2-1.

- 230V AC $\pm 10\%$, 40 to 60Hz
- incandescent lamps: 1000W
- 230V halogen: 1000W
- ferromagnetic transformer: 1000VA
- toroidal core transformer: 1000VA
- min. load: 50W/40VA
- overload protection with automatic reset function
- short-circuit protection through cartridge fuse
- 2 built-in spare fuses
- PLC filter for interference signals transmitted via the mains
- 2 x 1.5mm² or 1 x 2.5mm²
- ambient temperature: 35°C
- dimensions: 4 DIN modules (H89mm x W70mm x D54.5mm)
- weight: ± 280 g

Complete unit

Complete unit

05-728

Pack: 6

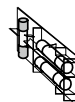
Accessories



02-920-20

Fuse F5AH for dimmer 05-728

Pack: 10



05-706-31

Fuse holder for dimmers 05-728 and 05-700

Pack: 10



Universal modular dimmer 400VA

Dimmer suitable for incandescent lamps, 230V halogen lamps and all types of low-voltage halogen lamps. Automatic selection of the dimming principle. Operation via 230V AC N.O. push button; up to 30 in parallel. Use with or without memory. Complies with the European directives for EMC and safety EN60669-2-1.

- 230V AC $\pm 10\%$, 50Hz ± 1 Hz
- incandescent lamps: 400W
- 230V halogen: 400W
- ferromagnetic transformer: 400VA
- toroidal core transformer: 400VA
- electronic transformer: 400VA
- min. load: 40W/40VA
- hum-free
- overload protection with automatic reset function
- electronic short-circuit protection
- PLC filter for interference signals transmitted via the mains
- 2 x 1.5mm² or 1 x 2.5mm²
- ambient temperature: 35°C
- dimensions: 1 DIN module (H89mm x W17.5mm x D60mm)
- weight: ± 74 g

Complete unit

Complete unit

05-703

Pack: 10

Universal modular dimmer 750VA (3A)

Dimmer suitable for incandescent lamps, 230V halogen lamps and all types of low-voltage halogen lamps. Automatic selection of the dimming principle. Operation via N.O. push button without voltage, 0-10V control, 1-10V current control or directly on the device. Up to 30 N.O. push buttons in parallel. Use with or without memory. Additional memory for saving 1 atmosphere via push button control. Indication of the operation and feedback by means of LEDs. Complies with the European directives for EMC and safety EN60669-2-1.

- 230V AC $\pm 10\%$, 50Hz ± 1 Hz
- incandescent lamps: 750W
- 230V halogen: 750W
- ferromagnetic transformer: 750VA
- ring core transformer: 750VA
- electronic transformer: 750VA
- min. load: 60W/60VA
- hum-free
- overload protection with automatic reset function
- electronic short-circuit protection
- PLC filter for interference signals transmitted via the mains
- 2 x 2.5mm² or 1 x 4mm²
- ambient temperature: 35°C
- dimensions: 2 DIN modules (H90mm x W35mm x D66mm)
- weight: ± 144 g

replaces 05-707

Complete unit

Complete unit	05-715	Pack: 10
---------------	---------------	----------



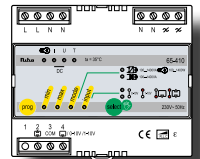
Universal modular dimmer 1400VA (6A)

Dimmer suitable for incandescent lamps, 230V halogen lamps and all types of low-voltage halogen lamps. Automatic selection of the dimming principle. Operation via N.O. push button without voltage, 0-10V control, 1-10V current control or directly on the device. Up to 30 N.O. push buttons in parallel. Use with or without memory. Additional memory for saving 1 atmosphere via push button control. Integrated staircase function. Setting of the min. light level between 1 and 40%, and the max. light level between 60 and 100%. Indication of the operation and feedback by means of LEDs. Complies with the European directives for EMC and safety EN60669-2-1.

- 230V AC $\pm 10\%$, 50Hz ± 1 Hz
- incandescent lamps: 1400W
- 230V halogen: 1400W
- ferromagnetic transformer: 1400VA
- toroidal core transformer: 1400VA
- electronic transformer: 1400VA
- min. load: 100W/100VA
- hum-free
- overload protection with automatic reset function
- electronic short-circuit protection
- PLC filter for interference signals transmitted via the mains
- 2 x 2.5mm² or 1 x 4mm²
- ambient temperature: 35°C
- dimensions: 6 DIN modules (H89mm x W105mm x D60mm)
- weight: ± 440 g

Complete unit

Complete unit	65-410	Pack: 1
---------------	---------------	---------



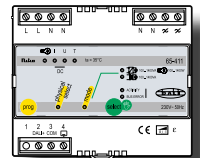
DALI - Universal modular dimmer 1400VA (6A)

Dimmer suitable for incandescent lamps, 230V halogen lamps and all types of low-voltage halogen lamps. Automatic selection of the dimming principle. Control via DALI (EN 60929) or directly on the device. Use with or without memory. Indication of the operation and feedback by means of LEDs. Complies with the European directives for EMC and safety EN60669-2-1.

- 230V AC $\pm 10\%$, 50Hz ± 1 Hz
- incandescent lamps: 1400W
- 230V halogen: 1400W
- ferromagnetic transformer: 1400VA
- toroidal core transformer: 1400VA
- electronic transformer: 1400VA
- min. load: 100W/100VA
- hum-free
- overload protection with automatic reset function
- electronic short-circuit protection
- PLC filter for interference signals transmitted via the mains
- 2 x 2,5mm² or 1 x 4mm²
- ambient temperature: 35°C
- dimensions: 6 DIN modules (H89mm x W105mm x D60mm)
- weight: ± 440 g

Complete unit

Complete unit	65-411	Pack: 1
---------------	---------------	---------



Dimmer for systems with 1-10V current control

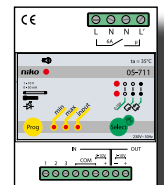
Dimmer suitable for switching and controlling dimmable, electronic control gear (ECG) for fluorescent, compact fluorescent lighting or dimmable LED lighting. Control via N.O. push button without voltage, 1-10V control or directly on the device. Up to 30 N.O. push buttons in parallel. Use with or without memory. Additional memory for saving 1 atmosphere via push button control. For as long as the panic function is activated, the lighting is set to its max. Indication of the operation and feedback by means of LEDs. Complies with the European directives for EMC and safety EN60669-2-1.

- 230V AC $\pm 10\%$, 50Hz ± 1 Hz
- max. switching capacity: 6A
- max. dimming capacity: 50mA
- min. dimming capacity: 0mA
- in combination with all ECG in compliance with EN 60929
- control range depending on connected ECG
- 2 x 1.5mm² or 1 x 2.5mm²
- dimensions: 4 DIN modules (H90mm x W71,5mm x D66mm)
- weight: ± 238 g

replaces 65-230 and 65-330

Complete unit

Complete unit	05-711	Pack: 6
---------------	---------------	---------





Universal dimmer 2760VA (I2A)

Dimmer suitable for incandescent lamps, 230V halogen lamps and all types of low-voltage halogen lamps. Control via N.O. push button without voltage, 0-10V control, 1-10V current control or directly on the device. Up to 30 N.O. push buttons in parallel. Use with or without memory. Setting of the min. light level between 0 and 30%, and the max. light level between 50 and 100%. Indication of the operation and feedback by means of LEDs. Display indication of voltage, current, temperature and protection status. Complies with the European directives for EMC and safety EN60669-2-1.

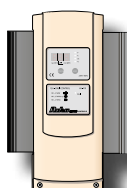
- 230V AC $\pm 10\%$, 50Hz ± 1 Hz
- incandescent lamps: 2760W
- 230V halogen: 2760W
- ferromagnetic transformer: 2760VA
- toroidal core transformer: 2760VA
- electronic transformer: 2760VA
- min. load: 100W/100VA
- integrated power supply for Niko sliding potentiometers: 20V DC, 160mA
- hum-free
- overload protection with automatic reset function
- electronic short-circuit protection
- PLC filter for interference signals transmitted via the mains
- connection load: 2 x 2.5mm² or 1 x 4mm²
- connection control: 2 x 1.5mm² or 1 x 2.5mm²
- ambient temperature: 35°C
- dimensions: H303mm x W200mm x D100mm
- weight: ± 4500 g

Complete unit

Complete unit

65-412

Pack: 1



DALI - Universal dimmer 2760VA (I2A)

Dimmer suitable for incandescent lamps, 230V halogen lamps and all types of low-voltage halogen lamps. Control via DALI (EN 60929) or directly on the device. Use with or without memory. Setting of the min. level between 0 and 30%, and the max. light level between 50 and 100%. Indication of the operation and feedback by means of LEDs. Display indication of voltage, current, temperature and protection status. Complies with the European directives for EMC and safety EN60669-2-1.

- 230V AC $\pm 10\%$, 50Hz ± 1 Hz
- incandescent lamps: 2760W
- 230V halogen: 2760W
- ferromagnetic transformer: 2760VA
- toroidal core transformer: 2760VA
- electronic transformer: 2760VA
- min. load: 100W/100VA
- integrated power supply for Niko sliding potentiometers: 20V DC, 160mA
- hum-free
- overload protection with automatic reset function
- electronic short-circuit protection
- PLC filter for interference signals transmitted via the mains
- connection load: 2 x 2.5mm² or 1 x 4mm²
- connection control: 2 x 1.5mm² or 1 x 2.5mm²
- ambient temperature: 35°C
- dimensions: H303mm x W200mm x D100mm
- weight: ± 4500 g

Complete unit

Complete unit

65-413

Pack: 1



Universal dimmer 3680VA (I6A)

Dimmer suitable for incandescent lamps, 230V halogen lamps and all types of low-voltage halogen lamps. Operation via N.O. push button without voltage, 0-10V control, 1-10V current control or directly on the device. Up to 30 N.O. push buttons in parallel. Use with or without memory. Setting of the min. light level between 0 and 30%, and the max. light level between 50 and 100%. Indication of the operation and feedback by means of LEDs. Display indication of voltage, current, temperature and protection status. Complies with the European directives for EMC and safety EN60669-2-1.

- 230V AC $\pm 10\%$, 50Hz ± 1 Hz
- incandescent lamps: 3680W
- 230V halogen: 3680W
- ferromagnetic transformer: 3680VA
- toroidal core transformer: 3680VA
- electronic transformer: 3680VA
- min. load: 100W/100VA
- integrated power supply for Niko sliding potentiometers: 20V DC, 160mA
- hum-free
- overload protection with automatic reset function
- electronic short-circuit protection
- PLC filter for interference signals transmitted via the mains
- connection load: 2 x 2.5mm² or 1 x 4mm²
- connection control: 2 x 1.5mm² or 1 x 2.5mm²
- ambient temperature: 35°C
- dimensions: H303mm x W200mm x D100mm
- weight: ± 4500 g

Complete unit

Complete unit

65-416

Pack: 1

DALI - Universal dimmer 3680VA (16A)

Dimmer suitable for incandescent lamps, 230V halogen lamps and all types of low-voltage halogen lamps. Control via DALI (EN 60929) or directly on the device. Use with or without memory. Setting of the min. level between 0 and 30%, and the max. light level between 50 and 100%.

Indication of the operation and feedback by means of LEDs. Display indication of voltage, current, temperature and protection status. Complies with the European directives for EMC and safety EN60669-2-1.

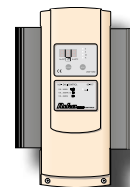
- 230V AC $\pm 10\%$, 50Hz ± 1 Hz
- incandescent lamps: 3680W
- 230V halogen: 3680W
- ferromagnetic transformer: 3680VA
- toroidal core transformer: 3680VA
- electronic transformer: 3680VA
- min. load: 100W/100VA
- integrated power supply for Niko sliding potentiometers: 20V DC, 160mA
- hum-free
- overload protection with automatic reset function
- electronic short-circuit protection
- PLC filter for interference signals transmitted via the mains
- connection load: 2 x 2.5mm² or 1 x 4mm²
- connection control: 2 x 1.5mm² or 1 x 2.5mm²
- ambient temperature: 35°C
- dimensions: H303mm x W200mm x D100mm
- weight: ± 4500 g

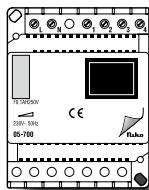
Complete unit

Complete unit

65-417

Pack: 1





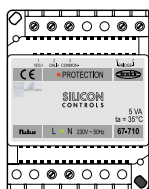
Control module for modular dimmers

Extendable up to 10 command points with N.O. push buttons. A brief press on the button switches the light on or off. A long press for dimming up or down. A renewed press reverses the dimming direction. The min. period of time between two presses must be 500ms.

- control: built-in push button
- capacity extension: modular dimmer 05-704, 05-707 and 05-728 (do not combine different types)
- replacement fuse: 05-700-04
- weight: 0.270kg
- dimensions: 4 DIN modules (H89mm x W70mm x D54.5mm)

Accessories

Complete unit	05-700	Pack: 1
---------------	---------------	---------



DALI - Modular power supply







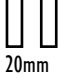
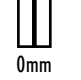


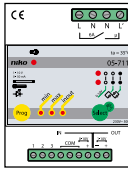

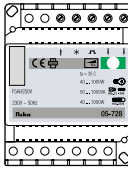
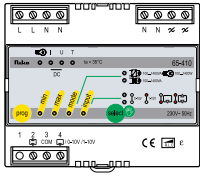
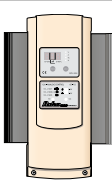
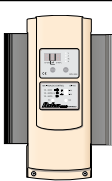
A DALI power supply must always be connected to the bus. The max. current on the DALI bus is 250mA. The modular power supply is equipped with electronic over-current, short-circuit and over-temperature protection. Protections are indicated with a red LED. Presence of power supply is indicated with a green LED. If the Niko power supply is connected to components from other manufacturers, SELV is no longer guaranteed. The power supply can also be used for systems other than DALI on the condition that they have the same specifications.

- power supply: 230V AC; 50Hz
- secondary voltage: 16 or 22.5V DC (adjustable)
- weight: 0.4kg
- dimensions: 4 DIN modules (H89mm x W70mm x D54.5mm)
- DALI compatibility: 7.5- 22.5V DC, current protection active starting from 240mA

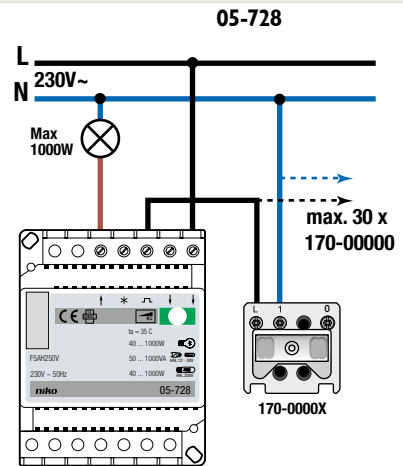
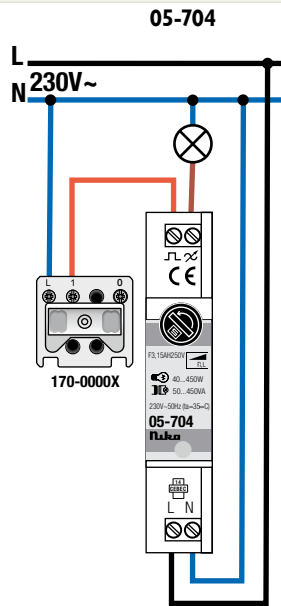
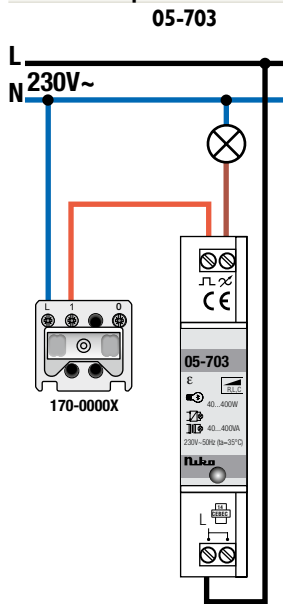
Accessories

Complete unit	67-710	Pack: 6
---------------	---------------	---------

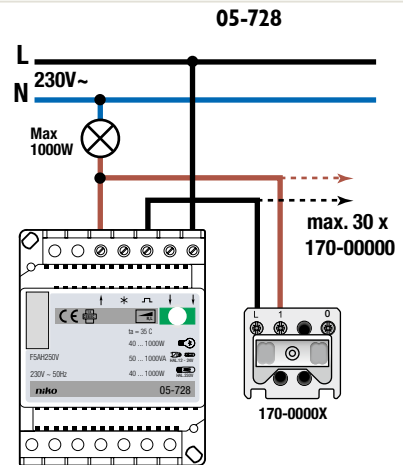
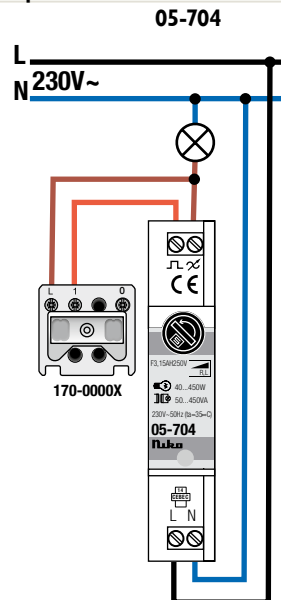
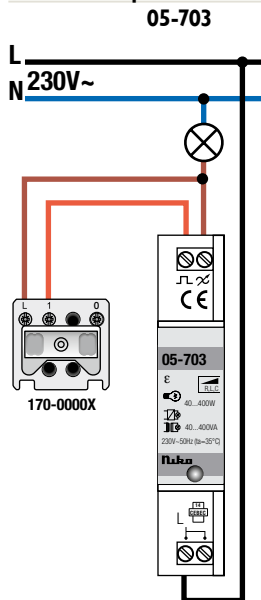
Allowed lamp types per DIN-rail dimmer

dimmer \ lamp	 230V	 HAL 230V	 HAL.12 - 24V	 HAL.12V	 1/10V	 1/10V	 20mm distance	 0mm distance
 05-703	✓	✓	✓	✓			400VA	320VA
 05-704	✓	✓	✓				450VA	360VA
 05-711					✓	✓	50mA	50mA
 05-715	✓	✓	✓	✓			750VA	600VA
 05-728	✓	✓	✓				1000VA	800VA
 65-410 / 65-411	✓	✓	✓	✓			1400VA	1400VA
 65-412 / 65-413	✓	✓	✓	✓			2760VA	—
 65-416 / 65-417	✓	✓	✓	✓			3680VA	—

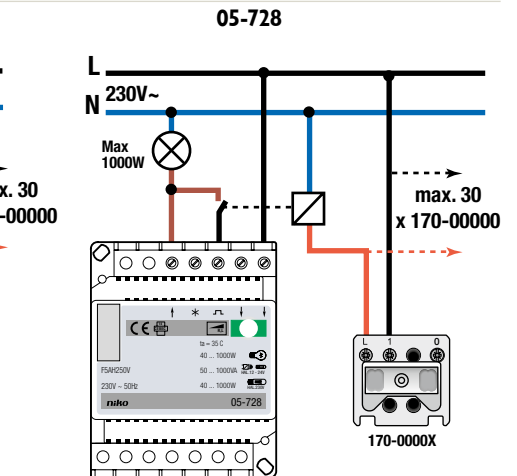
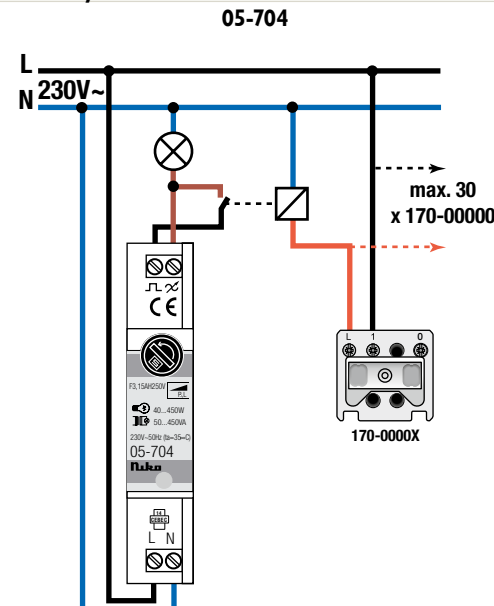
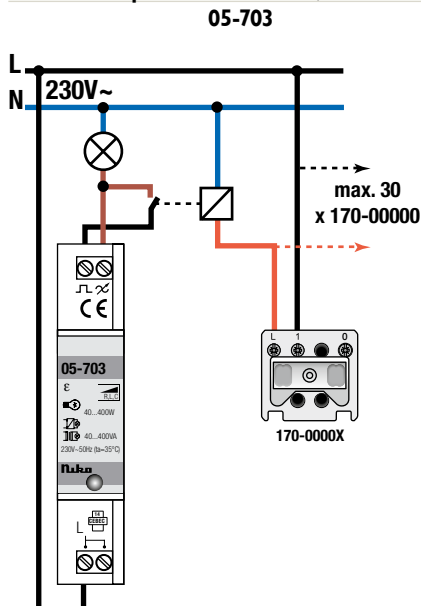
Control with push button 230V~, connected to neutral



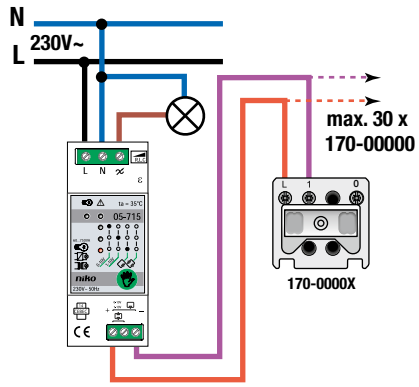
Control with push button 230V~, connected to phase



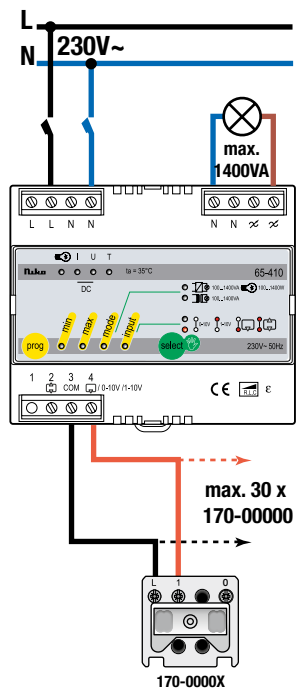
Control with push button 230V~, connected via a relay



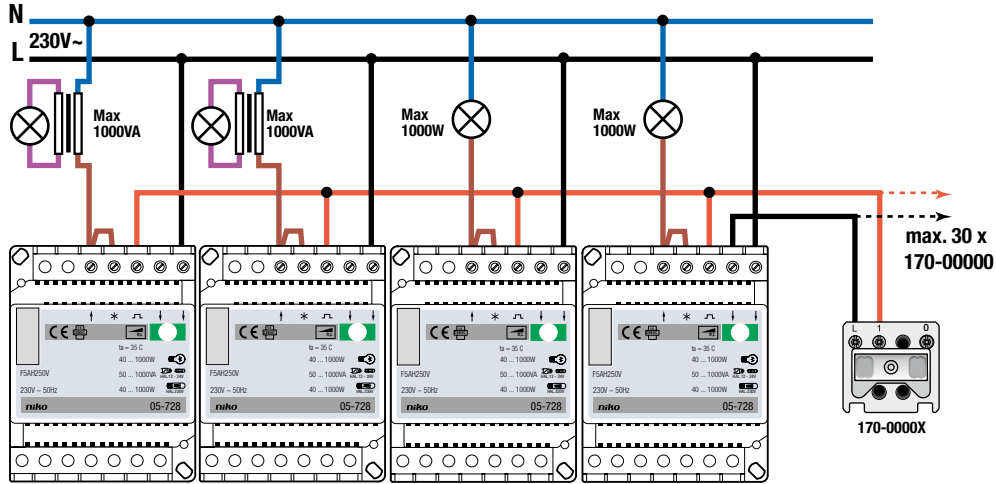
Control with push button 230V~ dead, separately derived from the mains
05-715



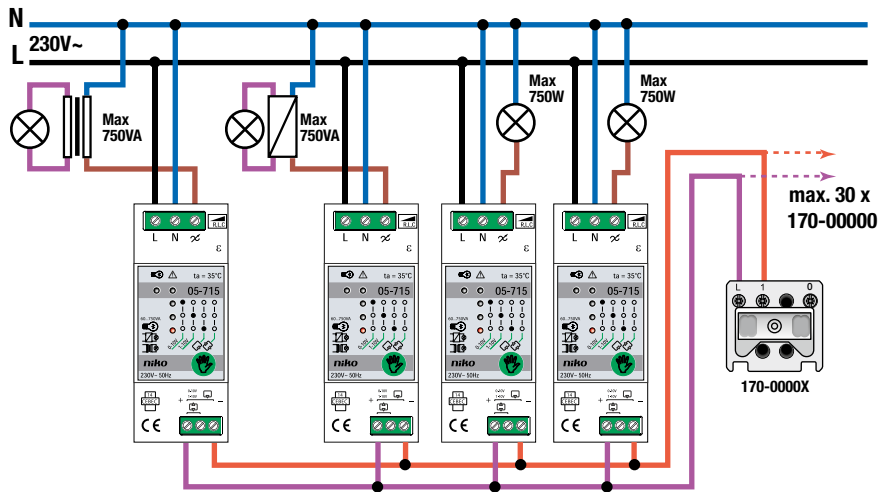
65-410



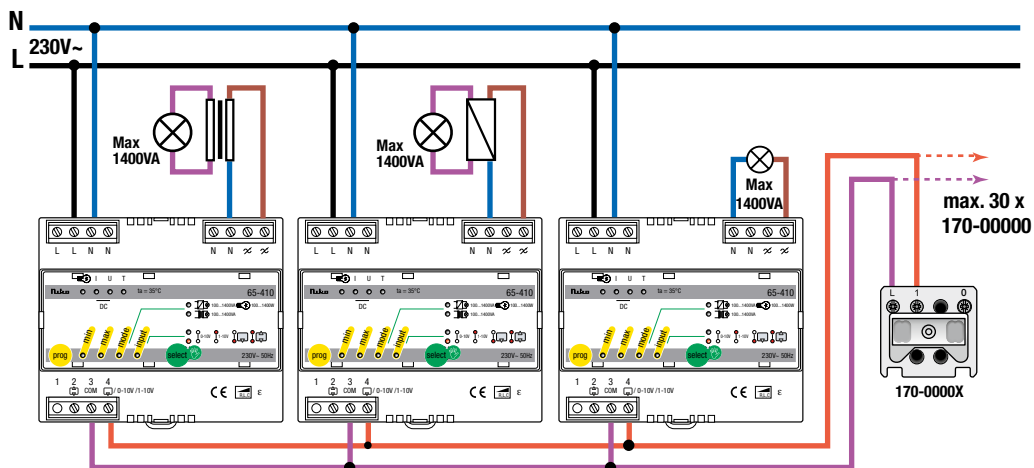
Simultaneously controlling different light circuits by means of an N.O. push button non-voltage
05-728



05-715

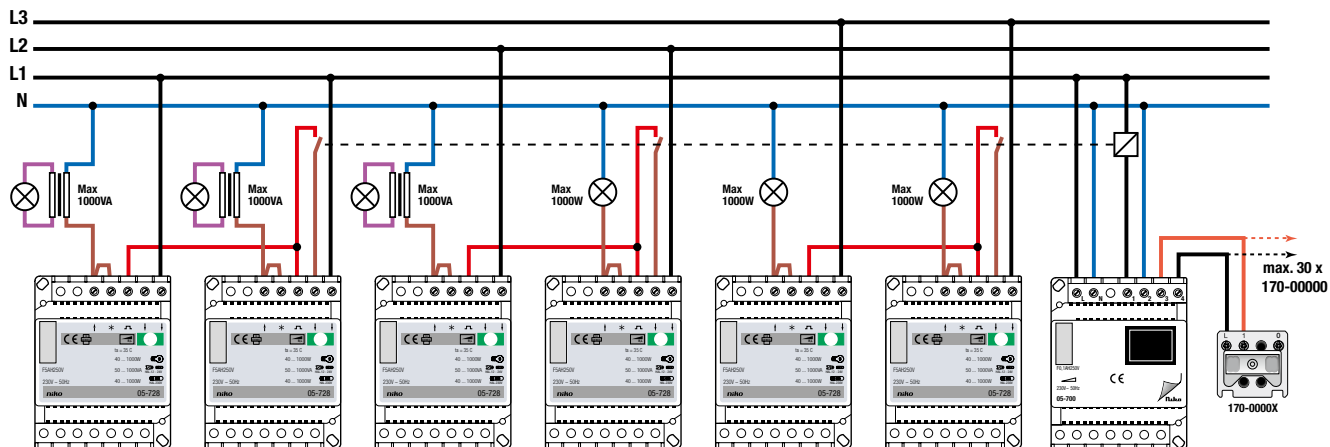


65-410

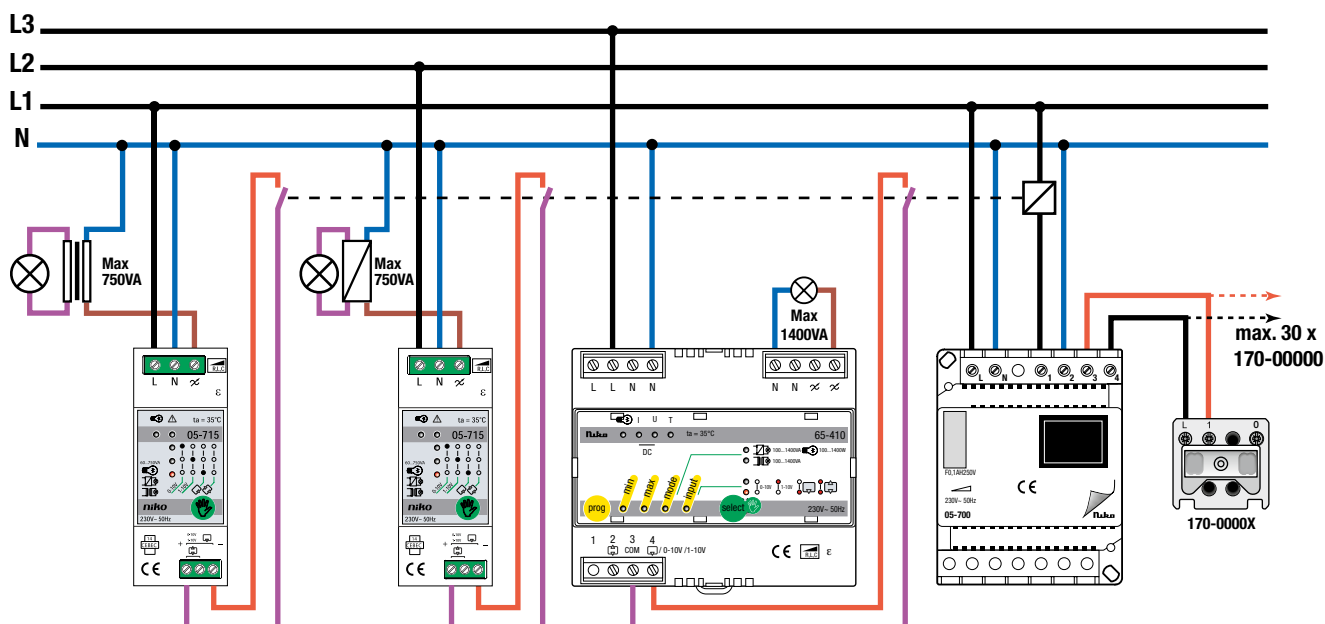


Simultaneously controlling different light circuits connected to a 3-phase mains voltage via a relay and control module 05-700

05-728

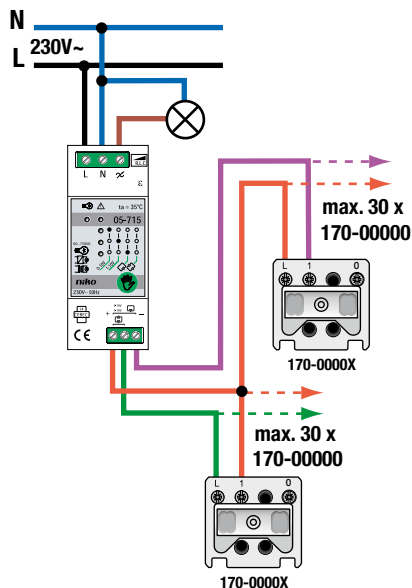


05-715 / 65-410

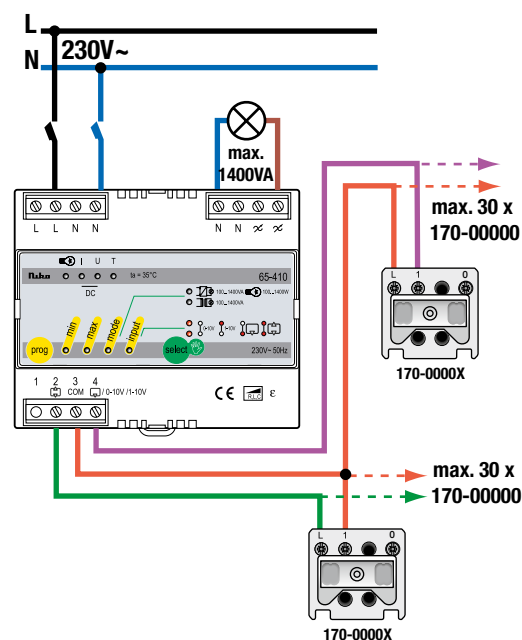


Control with 2 N.O. push buttons, 1 push button for on/dimming up and 1 push button for off/dimming down

05-715

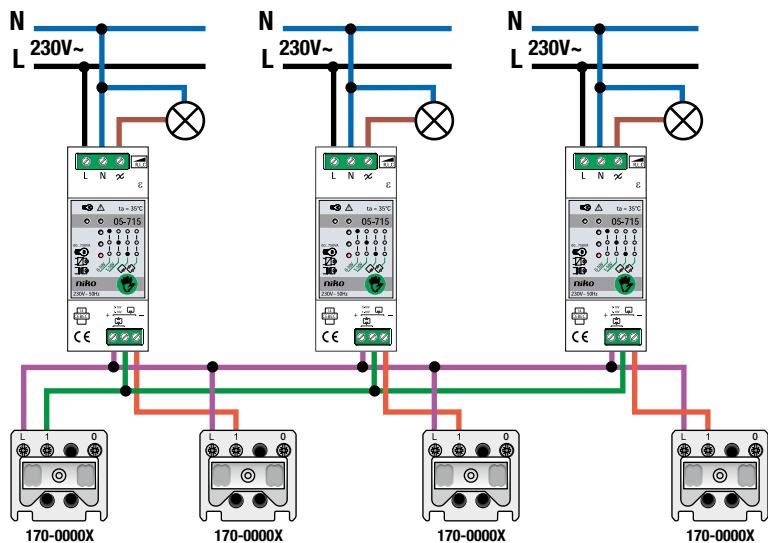


65-410

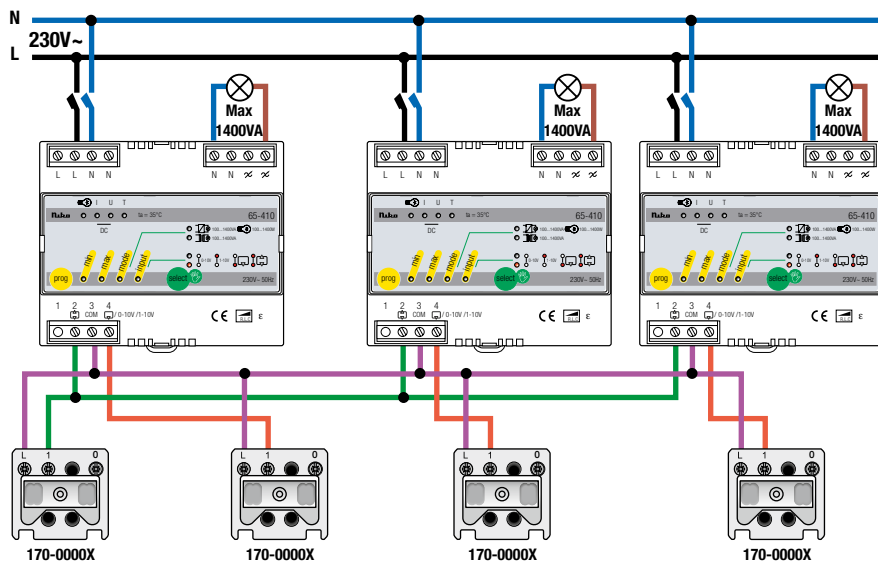


Controlling different light circuits with separate dim function and central switch-off function by means of N.O. push buttons

05-715

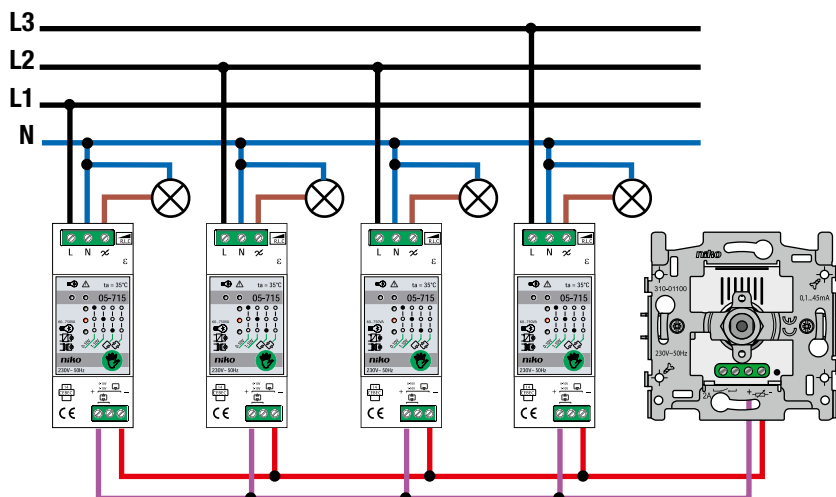


65-410



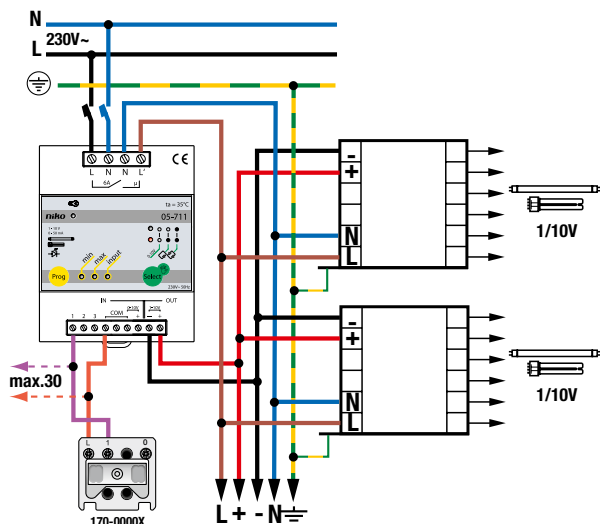
Rotary switch control of different light circuits connected to a 3-phase mains voltage

05-715



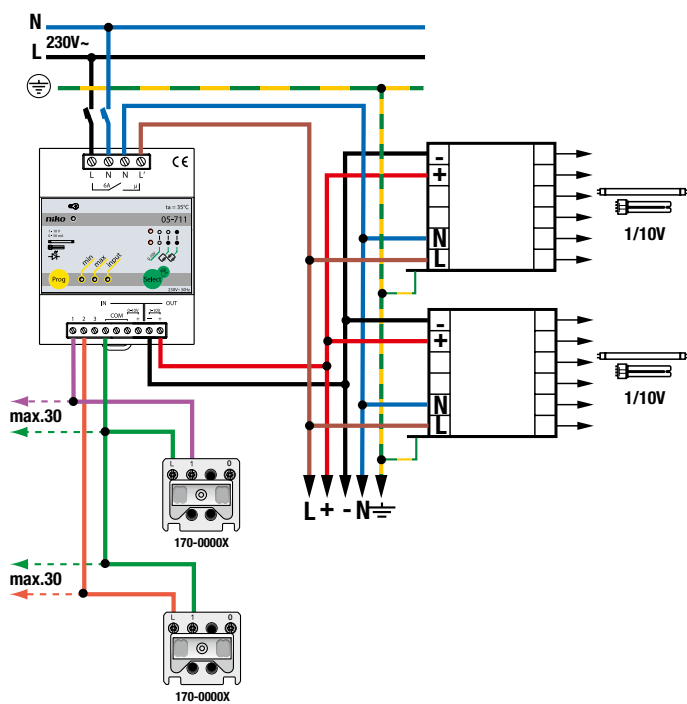
Control with push button non-voltage, separately derived from the mains, for fluorescent lighting

05-711



Control with 2 N.O. push buttons, 1 push button for on/dimming up and 1 push button for off/dimming down, for fluorescent lighting

05-711



Controlling different light circuits with separate dim function and central switch-off function by means of N.O. push buttons, for fluorescent lighting

05-711

