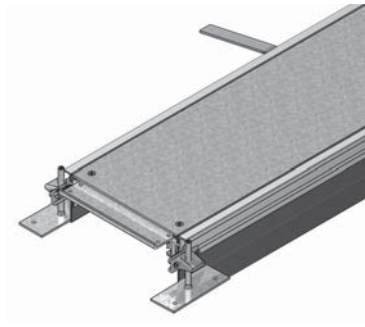
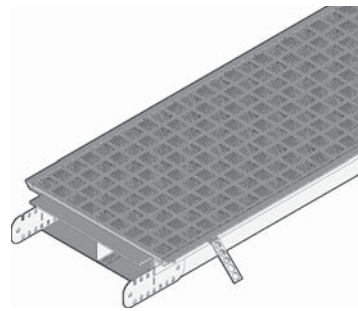


Estrichbündiger Kanal



A5 - A8

Schwerlastbodenkanal

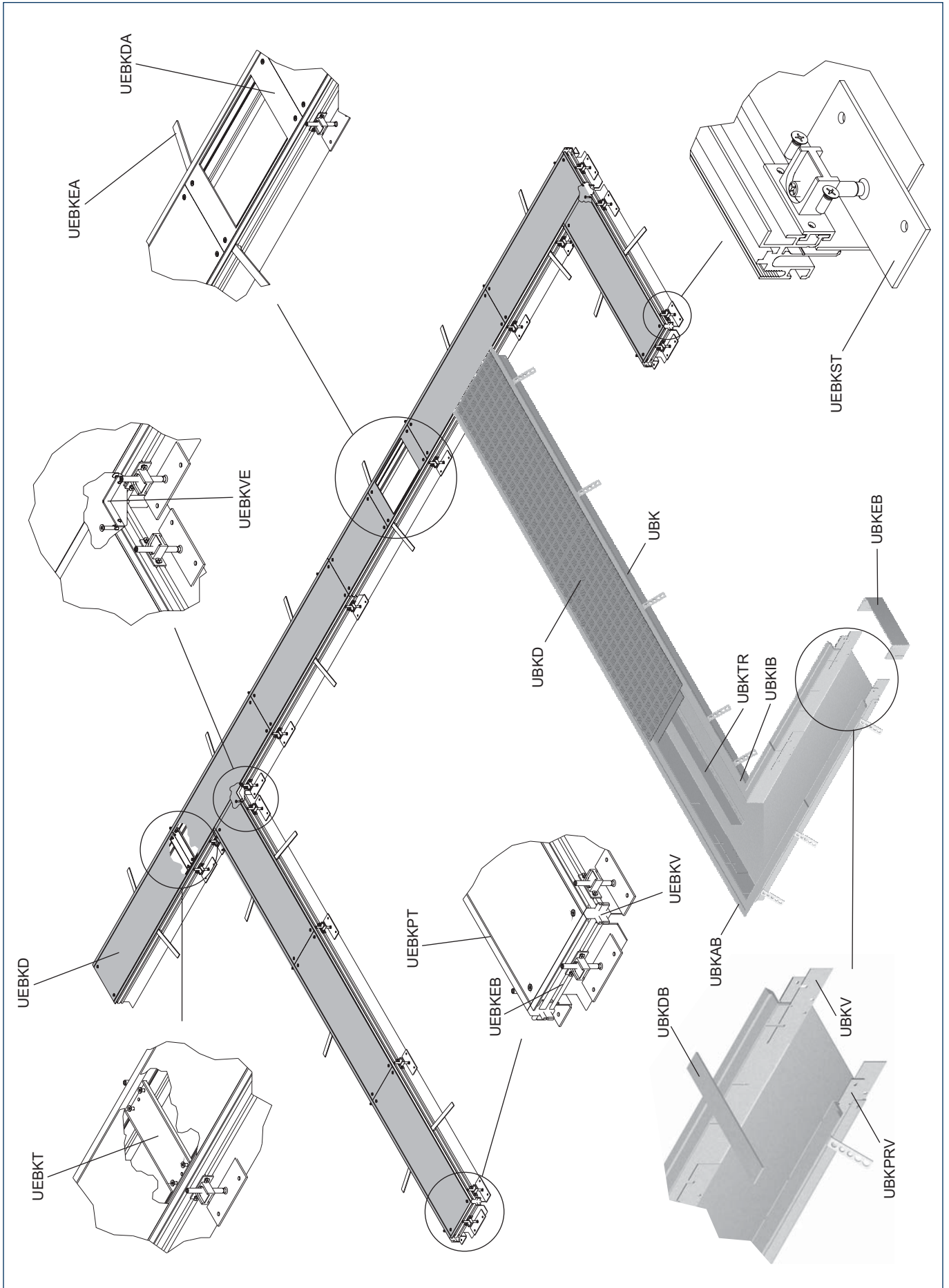


A11 - A14



Estrichbündige Kanalsysteme Stichwortregister

| Artikel | Langbezeichnung | Seite | Artikel | Langbezeichnung | Seite |
|----------|--|-------|---------|-----------------|-------|
| UBK | Unterteil | A11 | | | |
| UBKAB | Profilaußenbogen | A13 | | | |
| UBKD | Blindeckel | A11 | | | |
| UBKDB | Distanzblech | A14 | | | |
| UBKEB | Endstück | A13 | | | |
| UBKIB | Profiliinnenbogen | A13 | | | |
| UBKPR | Seitenprofil | A12 | | | |
| UBKPRV | Verbinder | A14 | | | |
| UBKPRVE | Verbinder | A14 | | | |
| UBKS | estrichbündiger Schwerlastkanal, 1-zülig | A11 | | | |
| UBKTR | Trennsteg | A14 | | | |
| UBKV | Verbinder | A14 | | | |
| UEBK | Estrichbündiger Kanal, 1-zülig | A5 | | | |
| UEBKD | Blindeckel | A8 | | | |
| UEBKDA R | Montagedeckel, rund | A5 | | | |
| UEBKDA V | Montagedeckel, viereckig | A5 | | | |
| UEBKEA | Estrichanker | A8 | | | |
| UEBKEB | Endstück | A6 | | | |
| UEBKMA | Montagesatz T-Abzweig | A6 | | | |
| UEBKMB | Montagesatz 90°-Bogen | A6 | | | |
| UEBKPR | Seitenprofil | A8 | | | |
| UEBKPT | Teppichrand | A8 | | | |
| UEBKSN | Höhenmontageset, estrichbündiger Kanal | A6 | | | |
| UEBKST | Nivellierstütze | A7 | | | |
| UEBKT | Quertraverse | A7 | | | |
| UEBKTR | Trennsteg | A8 | | | |
| UEBKV | Verbinder | A7 | | | |
| UEBKV S | Verbinder | A7 | | | |
| UEBKVE S | Verbinder | A7 | | | |

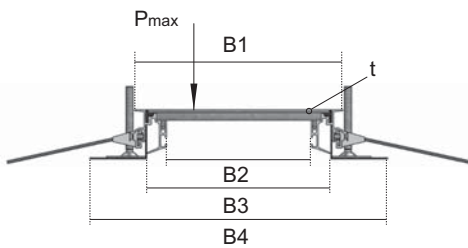
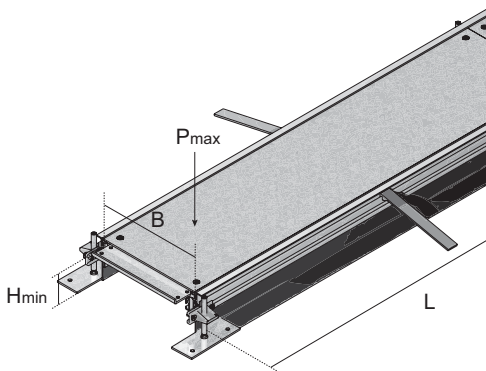




Estrichbündige Kanalsysteme
Estrichbündiger Kanal

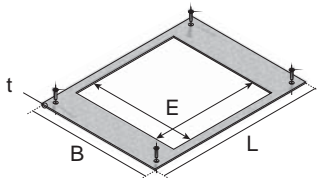


UEBK
Estrichbündiger Kanal, 1-zülig

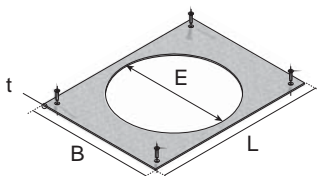


| | B1 | B2 | B3 | B4 |
|-------------|-----|-----|-----|-----|
| UEBK 60-20S | 230 | 160 | 203 | 330 |
| UEBK 60-30S | 330 | 260 | 303 | 430 |
| UEBK 60-40S | 430 | 360 | 403 | 530 |

UEBKDA V
Montagedeckel, viereckig



UEBKDA R
Montagedeckel, rund



AL S

| | H _{min} mm | N mm | B mm | L mm | kg | P _{max} kN | E mm | t mm |
|-------------|------------------------|---------|---------|---------|--------|------------------------|---------|---------|
| UEBK 60-20S | 60 | + 50 | 200 | 2400 | 22,20 | 1,50 | | 3 |
| UEBK 60-30S | 60 | + 50 | 300 | 2400 | 26,70 | 1,50 | | 3 |
| UEBK 60-40S | 60 | + 50 | 400 | 2400 | 33,00 | 1,50 | | 4 |

inkl. 3 x UEBKT
6 x UEBKST
3 x UEBKD
6 x UEBKEA
2 x UEBKPR
2 x UEBKPT



A7
A7
A8
A8
A8
A8

⇒ UEBKV S
UN

A7
B21

S

| | | | | | |
|-----------------|-----|-----|------|---------|---|
| UEBKDA-185V 20S | 200 | 800 | 1,70 | 185x260 | 3 |
| UEBKDA-185V 30S | 300 | 800 | 2,60 | 185x260 | 3 |
| UEBKDA-185V 40S | 400 | 800 | 3,60 | 185x260 | 4 |
| UEBKDA-260V 30S | 300 | 800 | 2,50 | 260x260 | 3 |
| UEBKDA-260V 40S | 400 | 800 | 3,50 | 260x260 | 4 |

⇒ UDKSEB



C52

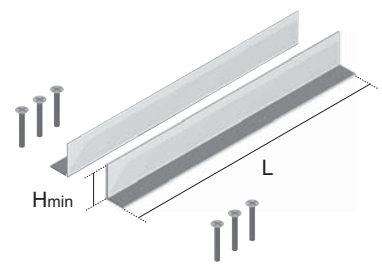

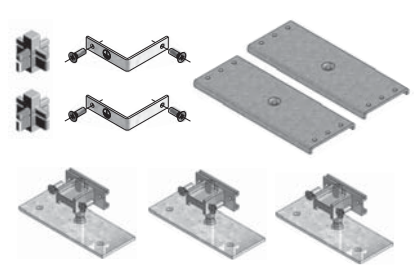

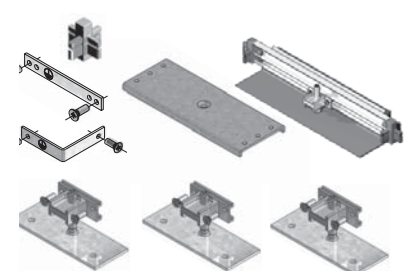

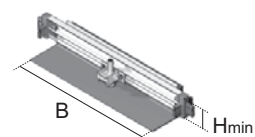

S




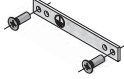
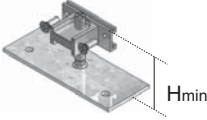

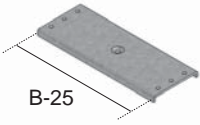

| | | | | | |
|-----------------|-----|-----|-----|-----|---|
| UEBKDA-260R 30S | 300 | 800 | 2,5 | 260 | 3 |
| UEBKDA-260R 40S | 400 | 800 | 3,5 | 260 | 4 |

⇒ UDKSEB



C52

| | H _{min} mm | N mm | B mm | L mm | kg |
|---|------------------------|---|---------|---------|---|
| UEBKSN Höhenmontageset, estrichbündiger Kanal | | | | | |
|  | S | | | | |
| | UEBKSN 135S | 110 | + 25 | 2400 | 2,70 |
| | UEBKSN 155S | 130 | + 25 | 2400 | 3,30 |
| | inkl. | 2 x UEBKPR 6 x UKS M8x150 | | |  A8 C56 |
| UEBKMA Montagesatz T-Abzweig | | | | | |
|  | S | | | | |
| | UEBKMA 60-20S | 60 | + 50 | | 1,60 |
| | UEBKMA 60-30S | 60 | + 50 | | 1,80 |
| | UEBKMA 60-40S | 60 | + 50 | | 2,00 |
| | inkl. | 2 x UEBKV 2 x UEBKVE S 2 x UEBKT 3 x UEBKST | | |  A7 A7 A7 A7 |
| | ⇒ UN | | | | B21 |
| UEBKMB Montagesatz 90°-Bogen | | | | | |
|  | S | | | | |
| | UEBKMB 60-20S | 60 | + 50 | | 2,95 |
| | UEBKMB 60-30S | 60 | + 50 | | 3,35 |
| | UEBKMB 60-40S | 60 | + 50 | | 3,70 |
| | inkl. | 1 x UEBKV 1 x UEBKV S 1 x UEBKVE S 1 x UEBKT 1 x UEBKEB 3 x UEBKST | | |  A7 A7 A7 A7 A6 A7 |
| | ⇒ UN | | | | B21 |
| UEBKEB Endstück | | | | | |
|  | AL | | | | |
| | UEBKEB 60-20S | 60 | + 50 | 200 | 1,90 |
| | UEBKEB 60-30S | 60 | + 50 | 300 | 2,10 |
| | UEBKEB 60-40S | 60 | + 50 | 400 | 2,30 |
| | inkl. | 1 x UEBKST 2 x UEBKV | | |  A7 A7 |
| | ⇒ UN | | | | B21 |

| | | H _{min} mm | N mm | B mm |  kg |
|---|--|------------------------|---------|-------------------|--|
| UEBKV Verbinder  | PP UEBKV | | | | 0,05 |
| UEBKVE S Verbinder  | S UEBKVE S | | | | 0,05 |
| UEBKV S Verbinder  | S UEBKV S | | | | 0,05 |
| UEBKST Nivellierstütze  | AL S UEBKST ⇒ UN | 55 | + 60 | | 0,30  B21 |
| UEBKT Quertraverse  | S UEBKT 20 UEBKT 30 UEBKT 40 ⇒ GB | | | 200 300 400 | 0,30 0,50 0,70  KB-G7 |

| | H mm | B mm | L mm |  kg | H1 mm | H2 mm |
|--|---------|---------|---------|---|----------|----------|
| UEBKD Blinddeckel  | | | | | | |
| S | | | | | | |
| UEBKD 20S | | 200 | 800 | 3,70 | | |
| UEBKD 30S | | 300 | 800 | 5,50 | | |
| UEBKD 40S | | 400 | 800 | 7,40 | | |
| | | | |  | | |
| inkl. 4 x BSS 4.8x22 | | | | D35 | | |
| UEBKTR Trennsteg  | | | | | | |
| S | | | | | | |
| UEBKTR 60S | 50 | | 3000 | 2,00 | | |
| UEBKTR 85S | 80 | | 3000 | 2,70 | | |
| | | | |  | | |
| ⇒ SNA | | | | B21 | | |
| UEBKPR Seitenprofil  | | | | | | |
| S | | | | | | |
| UEBKPR 135S | 90 | 30 | 2400 | 1,20 | | |
| UEBKPR 155S | 110 | 30 | 2400 | 1,50 | | |
| PVC | | | | | | |
| UEBKPR | 60 | 40 | 2400 | 0,90 | | |
| UEBKPT Teppichrand  | | | | | | |
| PVC | | | | | | |
| UEBKPT | 12 | | 2400 | 0,30 | 7 | 3 |
| UEBKEA Estrichanker  | | | | | | |
| PP | | | | | | |
| UEBKEA | | | | 0,01 | | |



A large grid of dashed lines for taking notes, consisting of 20 columns and 30 rows.

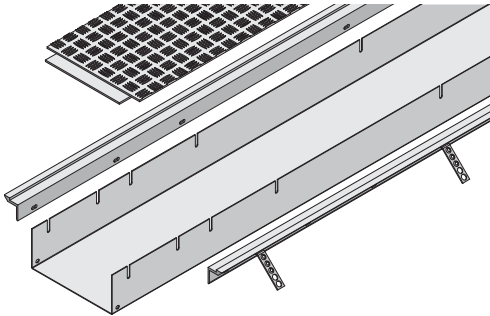


Estrichbündige Kanalsysteme
Schwerlastbodenkanal



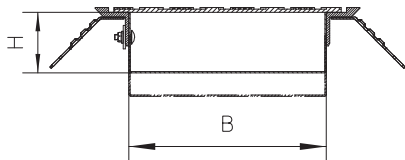
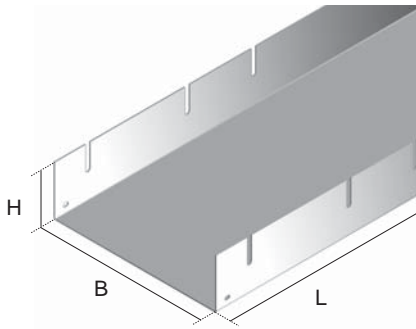
UBKS

estrichbündiger Schwerlastkanal, 1-zügig



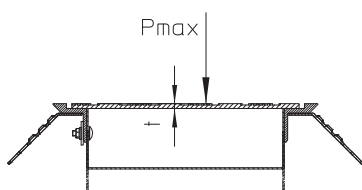
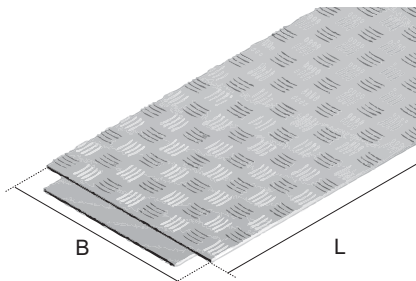
UBK

Unterteil



UBKD

Blinddeckel



S F

Der estrichbündige Schwerlastkanal besteht aus folgenden Einzelteilen:
1x Schwerlastkanalunterteil UBK, 3x Schwerlastblinddeckel UBKD,
2x Seitenprofil UBKPR mit entsprechenden Montage- und Verbindungsmaterialien. Andere Abmessungen auf Anfrage.

S

| | H mm | B mm | L mm | kg | P _{max} kN | t mm |
|-------------|---------|---------|---------|------|------------------------|---------|
| UBK 100-20S | 90 | 194 | 3000 | 17,2 | | |
| UBK 100-30S | 90 | 294 | 3000 | 21,9 | | |
| UBK 100-40S | 90 | 394 | 3000 | 26,9 | | |
| UBK 135-20S | 125 | 194 | 3000 | 18,8 | | |
| UBK 135-30S | 125 | 294 | 3000 | 25,2 | | |
| UBK 135-40S | 125 | 394 | 3000 | 30,0 | | |
| UBK 170-20S | 160 | 194 | 3000 | 23,8 | | |
| UBK 170-30S | 160 | 294 | 3000 | 28,5 | | |
| UBK 170-40S | 160 | 394 | 3000 | 33,3 | | |



UBKD
UBKPR
UBKV
UBKDB
SNA

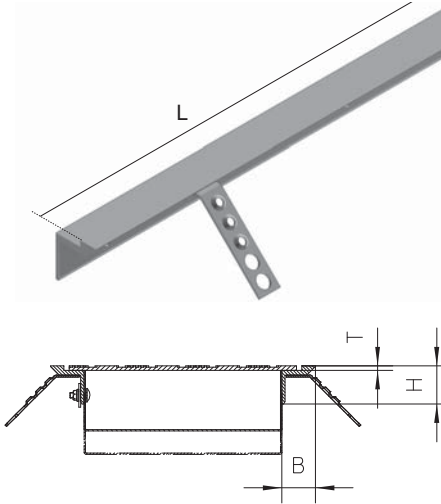


A11
A12
A14
A14
B21

F

| | | | | | |
|------------|-----|------|------|----|----|
| UBKD5 25F | 238 | 1000 | 9,8 | 5 | 5 |
| UBKD5 35F | 338 | 1000 | 13,7 | 5 | 5 |
| UBKD5 45F | 438 | 1000 | 17,7 | 5 | 5 |
| UBKD8 25F | 250 | 1000 | 15,7 | 15 | 8 |
| UBKD8 35F | 350 | 1000 | 22,0 | 15 | 8 |
| UBKD8 45F | 450 | 1000 | 28,3 | 15 | 8 |
| UBKD10 25F | 250 | 1000 | 19,7 | 25 | 10 |
| UBKD10 35F | 350 | 1000 | 27,5 | 25 | 10 |
| UBKD10 45F | 450 | 1000 | 35,4 | 25 | 10 |

UBKPR
Seitenprofil



F

UBKPR5F
UBKPR8F
UBKPR10F

H
mm

B
mm

L
mm


kg

T
mm

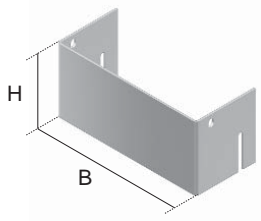
inkl. 1 x UBKPRV
5 x FRS 8x25
5 x SEMS 8


A14
KB-G8
KB-G11

⇒ UGD20

C55

UBKEB
Endstück



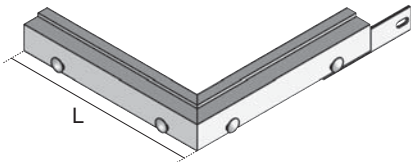
S

| | H mm | B mm | L mm | kg |
|---------------|---------|---------|---------|-----|
| UBKEB 100-20S | 86 | 188 | | 0,4 |
| UBKEB 100-30S | 86 | 288 | | 0,6 |
| UBKEB 100-40S | 86 | 388 | | 0,7 |
| UBKEB 135-20S | 121 | 188 | | 0,6 |
| UBKEB 135-30S | 121 | 288 | | 0,8 |
| UBKEB 135-40S | 121 | 388 | | 1,0 |
| UBKEB 170-20S | 156 | 188 | | 0,8 |
| UBKEB 170-30S | 156 | 288 | | 1,1 |
| UBKEB 170-40S | 156 | 388 | | 1,3 |

⇒ KLS

 KB-G8

UBKIB
Profillinnenbogen



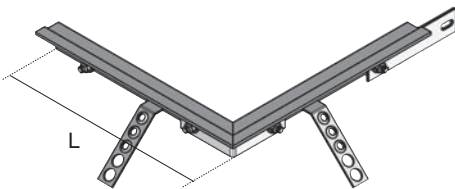
F

| | | | | |
|----------|--|--|-----|-----|
| UBKIB5F | | | 300 | 2,5 |
| UBKIB8F | | | 300 | 3,0 |
| UBKIB10F | | | 300 | 3,6 |

inkl. 1 x UBKPRV
4 x FRS 8x25
4 x SEMS 8

 A14
KB-G8
KB-G11

UBKAB
Profilaußenbogen


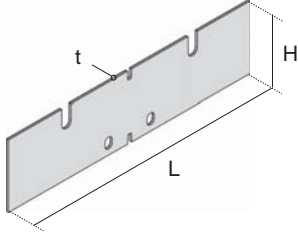

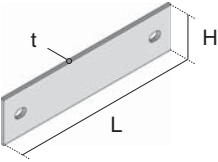
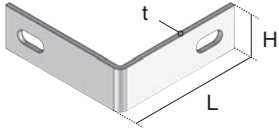
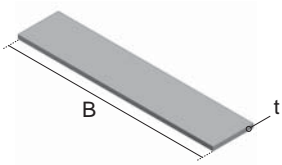
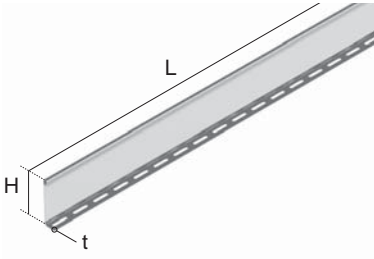



F

| | | | | |
|----------|--|--|-----|-----|
| UBKAB5F | | | 300 | 2,5 |
| UBKAB8F | | | 300 | 3,1 |
| UBKAB10F | | | 300 | 3,7 |

inkl. 1 x UBKPRV
1 x UBKPRVE
4 x SEMS 8
4 x FRS 8x25

 A14
A14
KB-G11
KB-G8

| | | H mm | B mm | L mm |  kg | t mm |
|------------------------------|---|---------|---------|---------|--|---------|
| UBKV Verbinder |  | | | | | |
| | s | | | | | |
| | UBKV 100S | 60 | 230 | | 0,21 | 2 |
| | UBKV 135S | 95 | 230 | | 0,34 | 2 |
| | UBKV 170S | 130 | 230 | | 0,46 | 2 |
| | inkl. 2 x FRS 8x25 2 x SEMS 8 | | | |  KB-G8 KB-G11 | |
| UBKPRV Verbinder |  | | | | | |
| | s | | | | | |
| | UBKPRV | 35 | 150 | | 0,16 | 3 |
| UBKPRVE Verbinder |  | | | | | |
| | s | | | | | |
| | UBKPRVE | 30 | 90 | | 0,20 | 3 |
| UBKDB Distanzblech |  | | | | | |
| | F | | | | | |
| | UBKDB5 25F | | 242 | | 0,25 | 5 |
| | UBKDB5 35F | | 342 | | 0,35 | 5 |
| | UBKDB5 45F | | 442 | | 0,45 | 5 |
| | UBKDB8 25F | | 254 | | 0,27 | 5 |
| | UBKDB8 35F | | 354 | | 0,37 | 5 |
| | UBKDB8 45F | | 454 | | 0,57 | 5 |
| UBKTR Trennsteg |  | | | | | |
| | s | | | | | |
| | UBKTR 100S | 80 | 3000 | | 6,3 | 1 |
| | UBKTR 135S | 115 | 3000 | | 8,2 | 1 |
| | UBKTR 170S | 150 | 3000 | | 10,1 | 1 |
| | ⇒ SNA | | | |  B21 | |