



Description

STAGO Service poles and posts are made of sheet steel, powder coated white, either RAL 1013 or RAL 9010.

The poles are either tension mounted between floor and ceiling, or screw-fixed to the ceiling.

The posts are mounted on a floor fixing. A mini-post, only 255 mm high, is also available.

All poles and posts have an 80 mm front opening, and internal cable dividers can be used to separate the cables. The 80 mm front opening is suitable for snap-fitting of CYB or CAN wiring devices.

Application

Installation of power, tele and data communication in offices and public buildings.

Benefits

- Wide range – 6 pole types and 3 post types in different sizes
- Optimal cable capacity for all sizes
- Simple earthing of the base
- Contact between front cover and base – 100% safe and automatic earthing
- 80 mm front opening for easy installation – snap-in functions

Technical and Material data

Material	Corrosion protected cold-rolled sheet steel with a layer thickness (zinc coating) of at least 7 µm per side. DX S1D acc. to EN 10142/10143, 10147, 10215.
Density	7.646 g/cm ³
Linear expansion	11.5x10 ⁻⁶ /°C
Surface treatment	Powder coating
Colour spec.	• White RAL 9010 • White RAL 1013
Temperature range	Operating temperature from -15°C to +60°C
Suitable outdoors	No
Degree of protection	IP40
Standards and certificates	The products satisfy the provisions for CE marking according to the Low Voltage Directive 2006/95/EC K55A and the Dutch standard K55A.

Mounting instructions

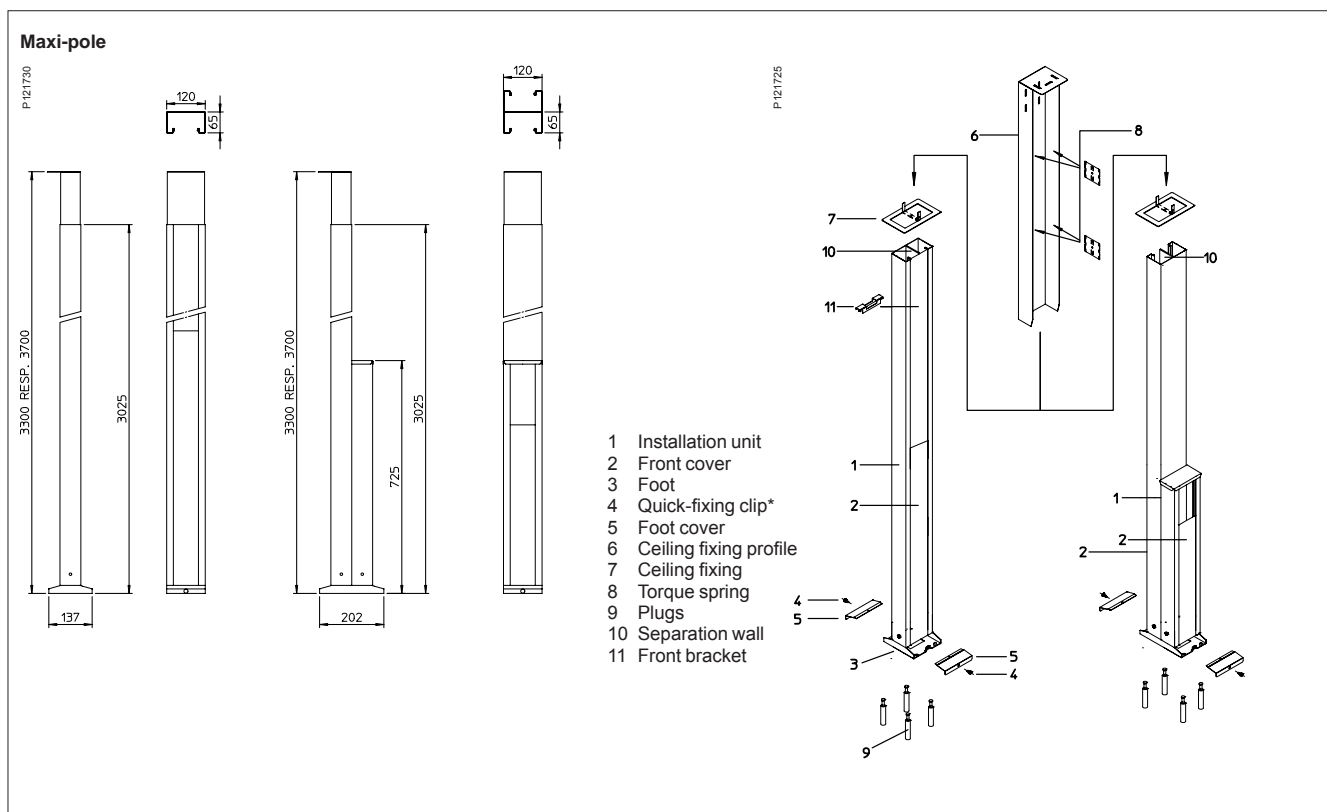
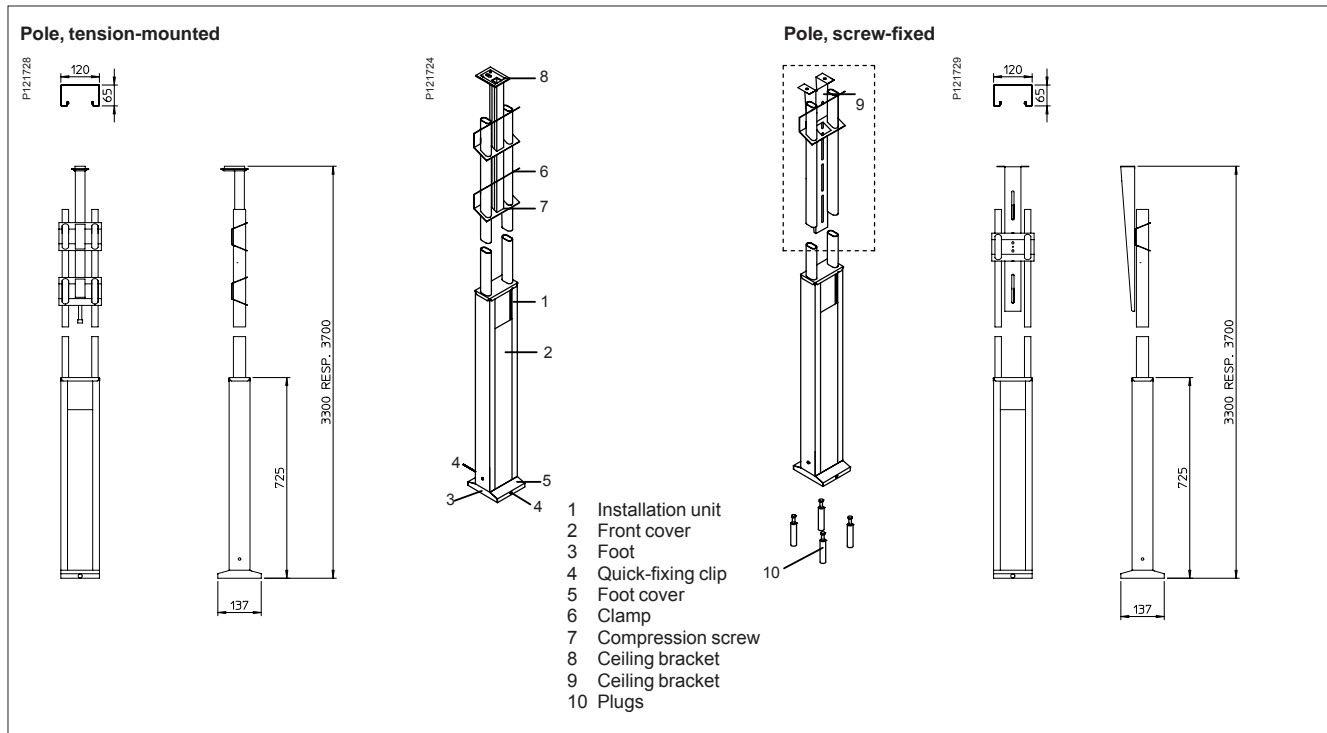
Mounting instructions are enclosed with the product. They are also available on PI@net.

Art.No. 20063030	Service post (Bureauzuil, Minizuil)
Art.No. 20063031	Screw-fixed pole (Maxizuil)
Art.No. 20063032	Screw-fixed pole (Buiszuil)
Art.No. 20063033	Tension-mounted pole (Buiszuil)

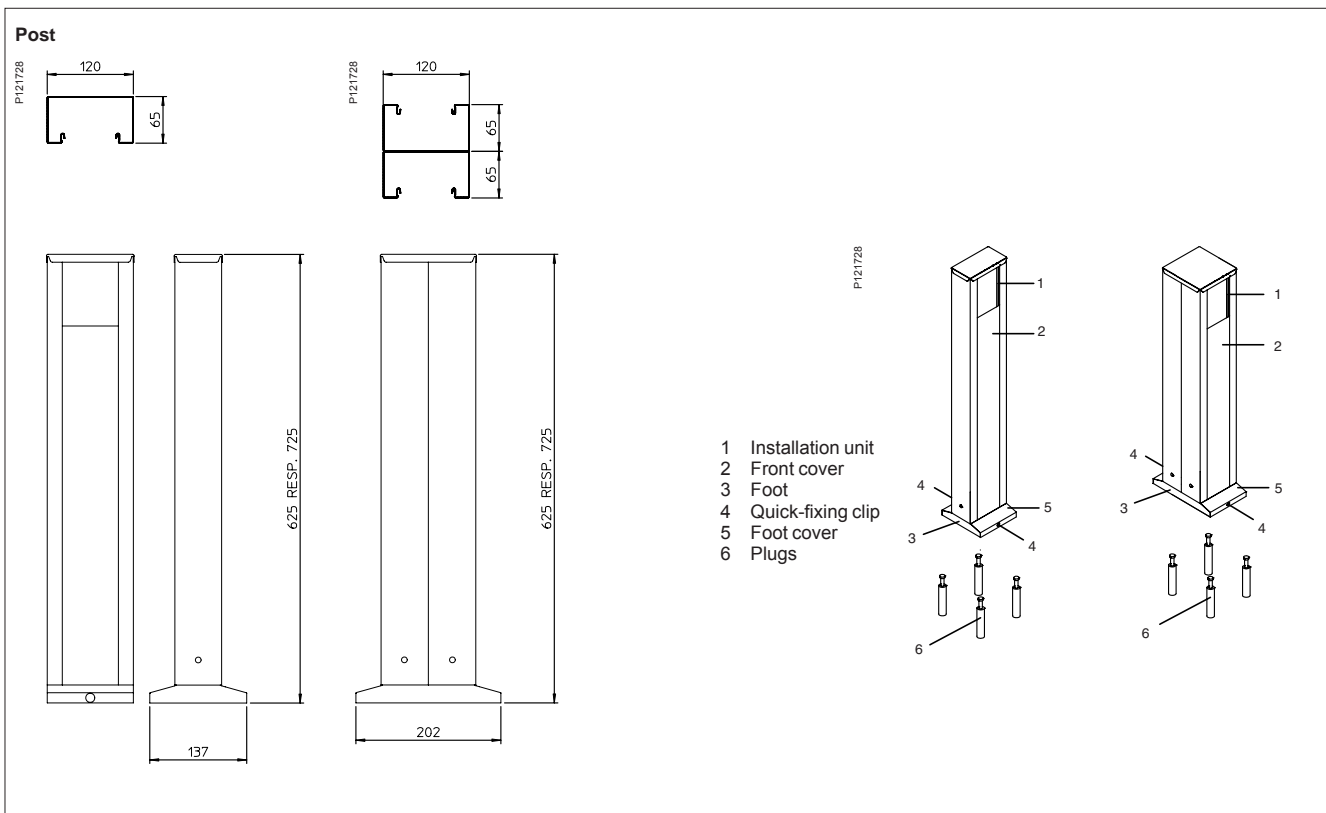
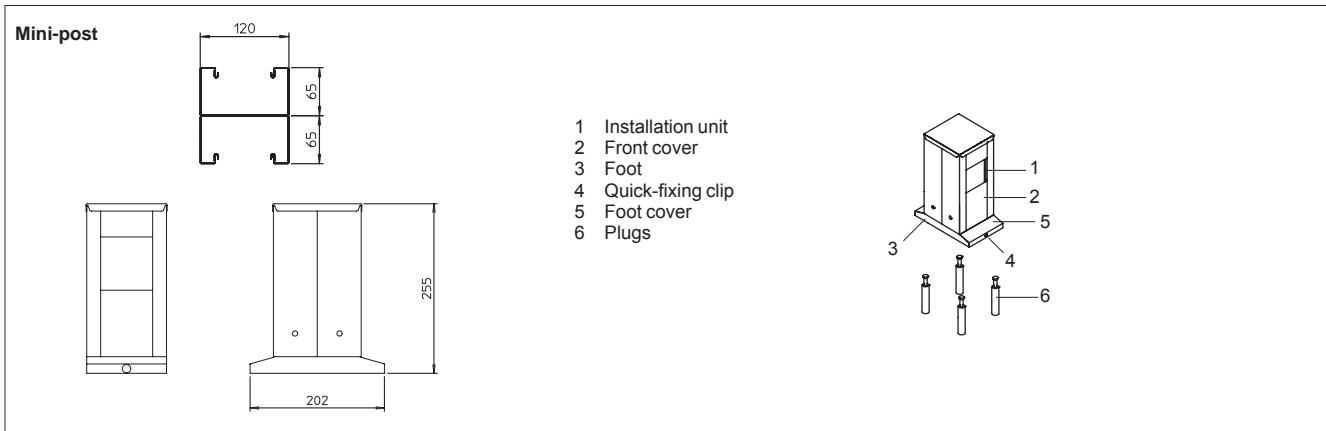
Product Environmental Profile

Product Environmental Profile documents are available on PI@net.

Design and dimensions, construction



Design and dimensions, construction



Poles, tension-mounted

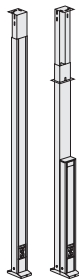


Type	Colour	Dimensions A/B/C (mm)	Qty per package	EAN code	Internal ID-No.	Ref. No.
Pole, one-sided						
Free-standing and tension-mounted service pole, one-sided. Empty without outlets and cables. Height adjustment of the pole: +50 mm / -180 mm, height of installation part 725 mm. Including self-earthing front cover, earthing connection, four screws/plugs for the floor fixing and mounting instruction. Material: Steel, power coated.						
Pole, one-sided (Buiszuil)	White RAL 1013	120/137/3300	1	8712186103858	20063317	INS02511719
	White RAL 9010			8712186103865	20063318	INS02511779
Pole, one-sided (Buiszuil)	White RAL 1013	120/137/3700	1	8712186103896	20063321	INS02521719
	White RAL 9010			8712186103902	20063322	INS02521779
Pole, two-sided						
Free-standing and tension-mounted service pole, two-sided. Empty without outlets and cables. Height adjustment of the pole: +50 mm / -180 mm, height of installation part 725 mm. Including self-earthing front cover, earthing connection, four screws/plugs for the floor fixing and mounting instruction. Material: Steel, power coated.						
Pole, two-sided (Buiszuil)	White RAL 1013	120/202/3300	1	8712186103872	20063319	INS02512719
	White RAL 9010			8712186103889	20063320	INS02512779
Pole, two-sided (Buiszuil)	White RAL 1013	120/202/3700	1	8712186103919	20063323	INS02522719
	White RAL 9010			8712186103926	20063324	INS02522779

Poles, screw-fixed



Pole, one-sided						
Free-standing and screw-fixed service pole, one-sided. Empty without outlets and cables. Height adjustment of the pole: +50 mm / -180 mm, height of installation part 725 mm. Including self-earthing front cover, earthing connection, four screws/plugs for the floor fixing and mounting instruction. Material: Steel, power coated.						
Pole, one-sided (Buiszuil)	White RAL 1013	120/137/3300	1	8712186103933	20063325	INS02531719
	White RAL 9010			8712186103940	20063326	INS02531779
Pole, one-sided (Buiszuil)	White RAL 1013	120/137/3700	1	8712186103971	20063329	INS02541719
	White RAL 9010			8712186103988	20063330	INS02541779
Pole, two-sided						
Free-standing and screw-fixed service pole, two-sided. Empty without outlets and cables. Height adjustment of the pole: +50 mm / -180 mm, height of installation part 725 mm. Including self-earthing front cover, earthing connection, four screws/plugs for the floor fixing and mounting instruction. Material: Steel, power coated.						
Pole, two-sided (Buiszuil)	White RAL 1013	120/202/3300	1	8712186103957	20063327	INS02532719
	White RAL 9010			8712186103964	20063328	INS02532779
Pole, two-sided (Buiszuil)	White RAL 1013	120/202/3700	1	8712186103995	20063331	INS02542719
	White RAL 9010			8712186104008	20063332	INS02542779
Maxi-pole, one-sided						
Free-standing and screw-fixed service pole, one-sided. Empty without outlets and cables. Height adjustment of the pole: 3100 - 3600 mm, height to false ceiling: 3000 mm. Including self-earthing front cover, partitioning wall and front locking device, ceiling frame, earthing connection, four screws/plugs for the floor fixing and mounting instruction. Material: Steel, power coated.						
Pole, one-sided (Maxizuil)	White RAL 1013	120/137/3020	1	8712186104015	20063333	INS02551719
	White RAL 9010			8712186104022	20063334	INS02551779
Maxi-pole, two-sided						
Free-standing and screw-fixed service pole, two-sided with one side with a lower installation part. Empty without outlets and cables. Height adjustment of the pole: 3100 - 3600 mm, height to false ceiling: 3000 mm, height of installation part 725 mm (only on one side). Including self-earthing front cover, partitioning wall and front locking device, ceiling frame, earthing connection, four screws/plugs for the floor fixing and mounting instruction. Material: Steel, power coated.						
Pole, two-sided (Maxizuil)	White RAL 1013	120/202/3020	1	8712186104039	20063338	INS02552719
	White RAL 9010			8712186104046	20063339	INS02552779



Posts, one and two-sided



Type	Colour	Dimensions A/B/C (mm)	Qty per package	EAN code	Internal ID-No.	Ref. No.
Post, one-sided						
One-sided service post mounted on a floor fixing. Empty without outlets and cables. Including self-earthing front cover, stop end, earthing connection, four screws/plugs for the floor fixing and mounting instruction. Material: Steel, power coated.						
Post, one-sided (Bureauzuil)	White RAL 1013 White RAL 9010	120/137/625	1	8712186103773 8712186103780	20063309 20063310	INS02501619 INS02501679
Post, one-sided (Bureauzuil)	White RAL 1013 White RAL 9010	120/137/725	1	8712186103797 8712186103803	20063311 20063312	INS02501719 INS02501779
Post, two-sided						
Two-sided service post mounted on a floor fixing. Empty without outlets and cables. Including self-earthing front cover, stop end, earthing connection, four screws/plugs for the floor fixing and mounting instruction. Material: Steel, power coated.						
Post, two-sided (Bureauzuil)	White RAL 1013 White RAL 9010	120/202/625	1	8712186103810 8712186103827	20063313 20063314	INS02502619 INS02502679
Post, two-sided (Bureauzuil)	White RAL 1013 White RAL 9010	120/202/725	1	8712186103834 8712186103841	20063315 20063316	INS02502719 INS02502779
Mini-post, two-sided						
Two-sided mini service post mounted on a floor fixing. Empty without outlets and cables. Including self-earthing front cover, stop end, earthing connection, four screws/plugs for the floor fixing and mounting instruction. Material: Steel, power coated.						
Post, two-sided (Minizuil)	White RAL 1013 White RAL 9010	120/202/255	1	8712186107030 8712186107047	20063336 20063337	INS02552219 INS02552279

Accessories



Ceiling frame						
Ceiling frame for the Stago range of poles with double tube feeding (Buiszuil) from the ceiling. Material: PS (polystyrene).						
Ceiling frame	White RAL 9010	1/103/214	1	8712186033988	20063335	INS02552000
Fixing hook						
Fixing hook with M6 nut intended to fix the Stago range of mini-posts to floor trunking INS16320200, 16330200, 16420200 and 16430200. Supplied in a set of four. Material: Steel.						
Screw fixing	—	34/12/4	4	8712186107870	20063481	INS16012200