

SYLVANIA



Architectural and Residential Outdoor Lighting

SYLVANIA

Your global partner for full spectrum lighting solutions

We are Havells-Sylvania, one of the world's major lighting groups for more than a century. We strive to improve the way people live by enabling them to enjoy better lighting in a more sustainable manner. Today, we continue to build on our exceptional reputation as an innovator and creator of high-efficiency, energy-saving, light sources and luminaires, by providing full spectrum lighting solutions tailored to individual needs.

Our three main brands – Concord, Lumiance and Sylvania – concentrate strengths in innovative product design, engineering and production, plus application expertise in their specialised areas of activity: high end architectural, decorative and functional professional lighting respectively.

Our 2007 acquisition, by Havells India Ltd, gives us the financial strength and resources to significantly expand and improve the business. The group, which has 94 branches and representative offices and 8,000 staff in more than 50 countries, has grown rapidly to become a US\$ 1.2 billion company with 18 manufacturing plants in India, Europe, Latin America and Africa, producing globally acclaimed products such as switchgear, cables, wiring devices and lighting.

Benefits of outdoor lighting

- Creates emotions
- Gives direction
- Highlights architectural details
- Composes sceneries of light and shadow
- Provides safety and guidance
- Extends buildings' recognition
- Upgrades environments
- Makes outdoor areas / spaces to live and enjoy
- Freedom for creativity
- Strengthens atmospheres
- Enhances the first impression
- Defines architectural features

Selected items benefit from:
(please refer to warranty logo
WARRANTY on product pages)

- 5 year finish warranty
- 3 year warranty on LED drivers
- Up to 50,000 hours on LEDs*

* 70% of lumen output remaining

Contents

FLOODLIGHT	4
Archflood	6
Powerflood	16
FloodLED	18
Sylveo 1	26
Sylveo 2	28
FLOODLINE	30
Floodline 1	32
Floodline 2	34
Floodline 3	36
Floodline 4	38
INGROUND	40
218	42
314	44
CT420	46
BOLLARDS	48
Onground 1	50
Onground 2	52
Onground 3	54
WALL SURFACE	56
Onwall 1	58
Onwall 2	60
Onwall 3	62
Onwall 4	64
Onwall 5	66
WALL RECESSED	68
Inwall 1	70
Inwall 2	72
Inwall 3	74
Inwall 4	76
Inwall 5	78
Inwall 6	80



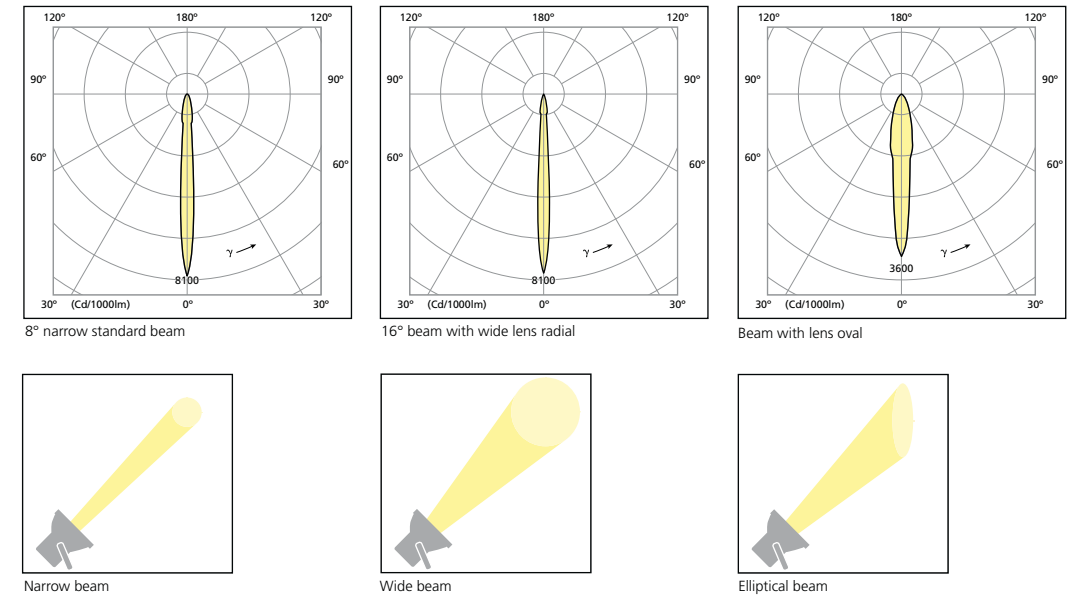
FLOODLIGHT

The range of 10 floodlights is available in either HID or LED based units, providing specifiers with maximum flexibility depending on the project / application on hand. The all-weather construction is designed for easy aiming, simple cleaning and quick maintenance.



Archflood 1

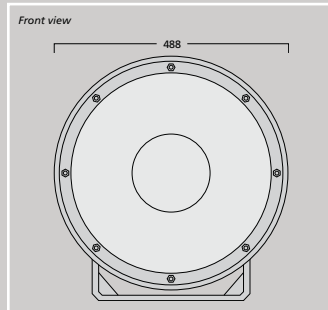
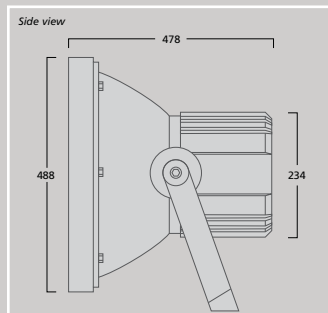
Archflood 1 is a high-performance architectural floodlight to illuminate large-scale facades, areas and structures.



Features

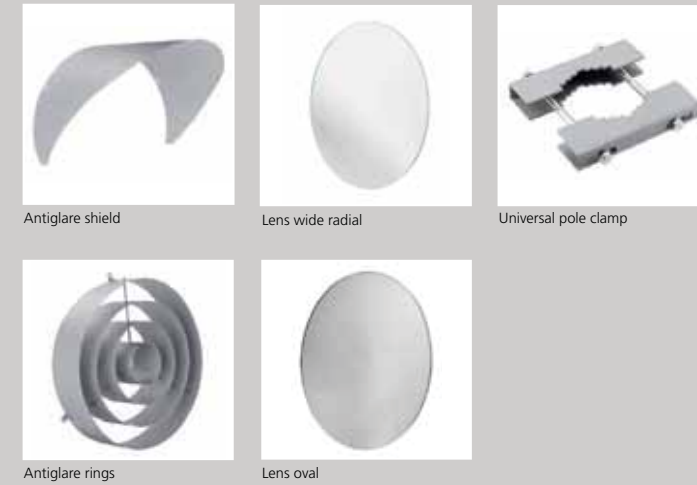
- 250W and 400W luminaire
- Suitable for metal halide and sodium lamps
- Fully integrated control gear
- Narrow light beam at 8° as standard
- Adjustable lighting angle according to the turn and tilt scale
- High protection class: IP65
- Heavy-duty die-cast housing: IK08
- High quality tempered glass
- High efficiency pure Aluminium reflector
- Multiple anti-glare accessories
- Lenses for wide light beam and for sculpture illumination

Dimensions (mm)



Accessories

- Antiglare shield
- Wide beam lens
- Antiglare rings
- Sculpture lens
- Wire guard



Code (luminaire only)	Description	Beam angle (°)	Lamp Icon	Item code (lamp only)	Description	Base	Colour temp (k)	Light lumens (lm)	Cri class
Archflood 1 400W									
0049305	ARCHFLOOD 1 GRY NARR 400W E40 MGR	8°		0020774	HSI-SX 400W/CL/P BRITELUX	E40	4,300	42,000	90+
				0020716	SHP-S 400W	E40	2,050	54,000	30+
Archflood 1 250W									
0049306	ARCHFLOOD 1 GRY NARR 250W E40 MGR	8°		0020772	HSI-SX 250W/CL BRITELUX	E40	4,100	23,500	90+
				0020776	HSI-SX 250W/CL/P BRITELUX	E40	4,500	21,000	90+
				0020715	SHP-S 250W	E40	2,050	30,000	30+

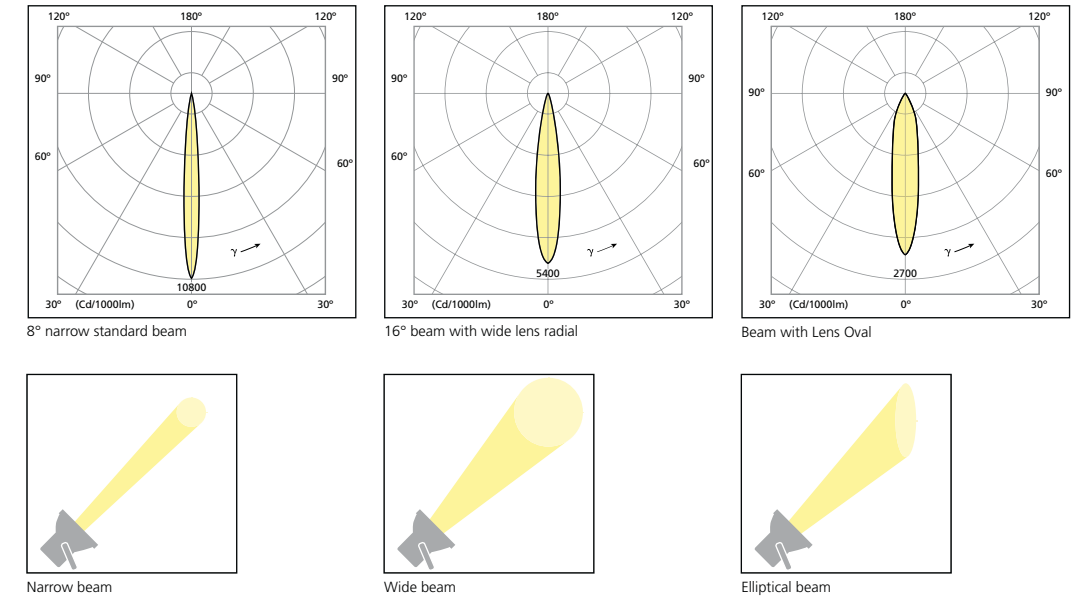
Accessories

0049307	ARCHFLOOD 1 GRY ANTIGLARE SHIELD
0049308	ARCHFLOOD 1 GRY ANTIGLARE RINGS
0049309	ARCHFLOOD 1 LENS WIDE RADIAL MAX 400W
0049310	ARCHFLOOD 1 LENS OVAL MAX 400W
0049313	ARCHFLOOD 1 PROTECTIVE GRID
0039837	UNIVERSAL POLE CLAMP

Legend: GRY = GRAY, NARR = NARROW, MGR = Magnetic Gear

Archflood 2

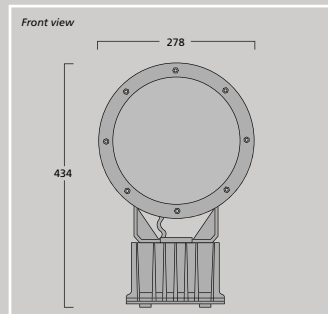
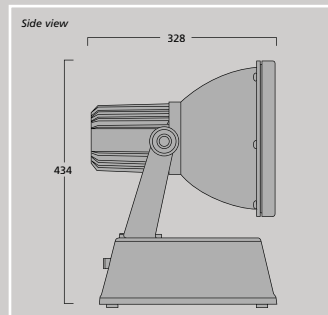
Archflood 2 is an outdoor luminaire for illuminating and enhancing structures with light. It benefits from a flexible aiming (tilt and pan) to ensure freedom of installation and a wide range of applications.



Features

- 150W luminaire
- Suitable for metal halide lamps
- Narrow beam at 8°
- Adjustable lighting angle according to the turn and tilt scale
- High protection class: IP65
- Heavy-duty die-cast housing: IK08
- High quality tempered glass
- High efficiency pure Aluminium reflector
- Multiple anti-glare and lens accessories
- Fully integrated control gear

Dimensions (mm)



Accessories

- Antiglare shield
- Wide beam lens
- Antiglare rings
- Sculpture lens

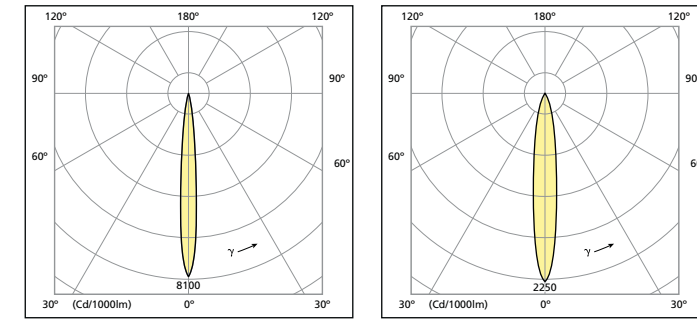


Code (luminaire only)	Description	Beam angle (°)	Lamp Icon	Item code (lamp only)	Description	Base	Colour temp (k)	Light lumens (lm)	Cri class
Archflood 2 150W									
0049315	ARCHFLOOD 2 GRY NARR 150W G12 MGR	8°		0020302	CMI-T 150W/WDL	G12	3,000	15,000	90
				0020306	CMI-T 150W/NDL	G12	4,200	15,000	96
				0020336	HSI-T 150W/WDL	G12	3,000	13,000	80+
				0020341	HSI-T 150W/NDL	G12	4,200	13,000	80+
Accessories									
0049316	ARCHFLOOD 2 GRY ANTIGLARE SHIELD								
0049317	ARCHFLOOD 2 GRY ANTIGLARE RINGS								
0049318	ARCHFLOOD 2 LENS WIDE RADIAL MAX 150W								
0049319	ARCHFLOOD 2 LENS OVAL MAX 150W								

Legend: GRY = GReY; NARR = NARRow; MGR = Magnetic Gear

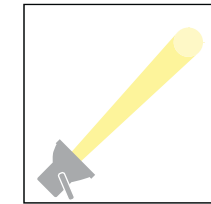
Archflood GC2

Archflood GC2 is a floodlight that delivers precise light distribution and uniform illuminance over long distances thanks to its optical system and fitted glare control head.

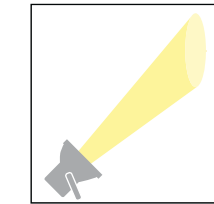


8° narrow standard beam

Beam with Lens oval



Narrow beam

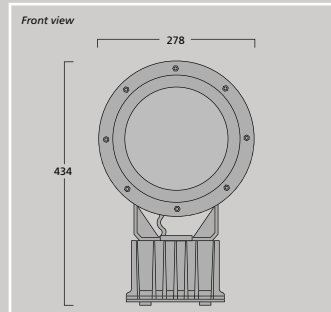
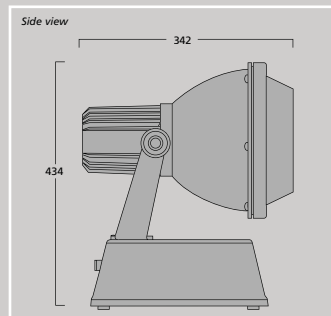


Elliptical beam

Features

- 150W luminaire
- Suitable for metal halide lamps
- 8° high precision glare controlled beam
- Integrated glare control shields and external light direction cone
- Adjusting lighting angle according to the turn and tilt scale
- High protection class: IP65
- Heavy-duty die-cast housing: IK08
- High quality tempered glass
- High efficiency pure Aluminium reflector
- Fully integrated control gear

Dimensions (mm)



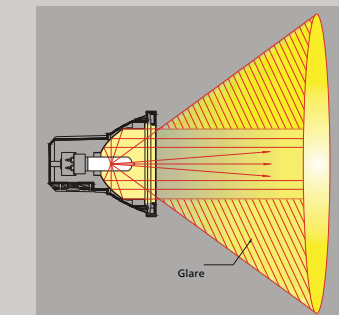
Accessories

- Sculpture lens



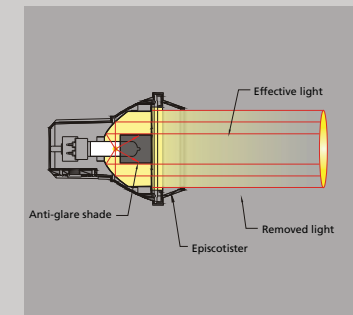
Elliptical Spread Lens

Standard floodlight vs. Glare controlled floodlight



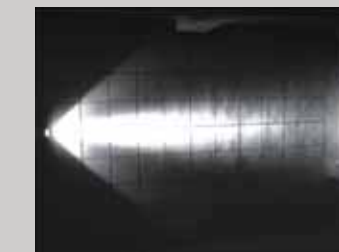
Standard floodlight

Unsharp lightpoint with a corona of low intensive light created by the uncontrolled part of the reflections inside the optical system. This effect creates a soft light point instead of a sharp spot.



Glare controlled floodlight

Very clear and well-defined illumination area without any uncontrolled light. Perfect result for spotlight illumination effects achieved by this technology.



Code (luminaire only)	Description	Beam angle (°)	Lamp Icon	Item code (lamp only)	Description	Base	Colour temp (k)	Light lumens (lm)	Cri class
Archflood GC2 150W									
0049314	ARCHFLOOD GC2 GRAY NARR 150W G12 MGR	8°		0020302	CMI-T 150W/WDL	G12	3,000	15,000	90
				0020306	CMI-T 150W/NDL	G12	4,200	15,000	96
				0020336	HSI-T 150W/WDL	G12	3,000	13,000	80+
				0020341	HSI-T 150W/NDL	G12	4,200	13,000	80+

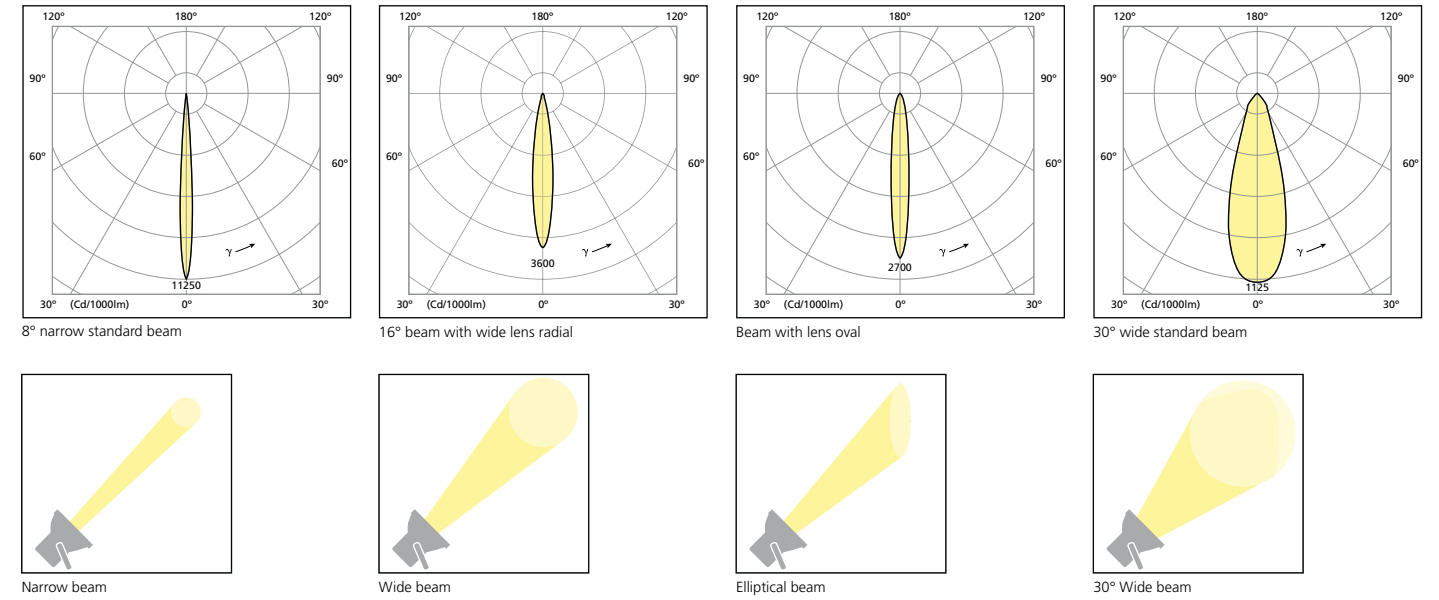
Accessories

0049320 ARCHFLOOD GC2 LENS OVAL MAX 150W

Legend: GRAY = GRAY, NARR = NARROW, MGR = Magnetic Gear

Archflood 3

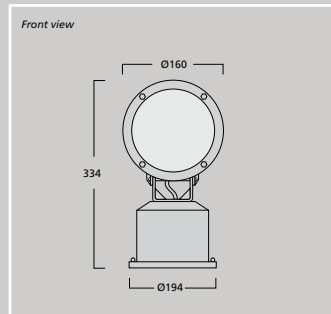
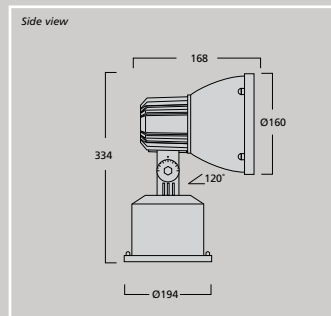
Archflood 3 is a compact, high performance HID floodlight. It is sufficiently robust to tackle a wide range of outdoor applications.



Features

- 35W and 70W luminaire
- Suitable for metal halide lamps
- Narrow beam at 8° and wide beam at 30°
- Adjustable lighting angle according to the turn and tilt scale
- High protection class: IP65
- Heavy-duty die-cast housing: IK08
- High quality tempered glass
- High efficiency pure Aluminium reflector
- Fully integrated control gear

Dimensions (mm)



Accessories

- Antiglare shield
- Wide beam lens
- Antiglare rings
- Sculpture lens



Antiglare shield



Lens wide radial



Antiglare rings



Elliptical Spread Lens



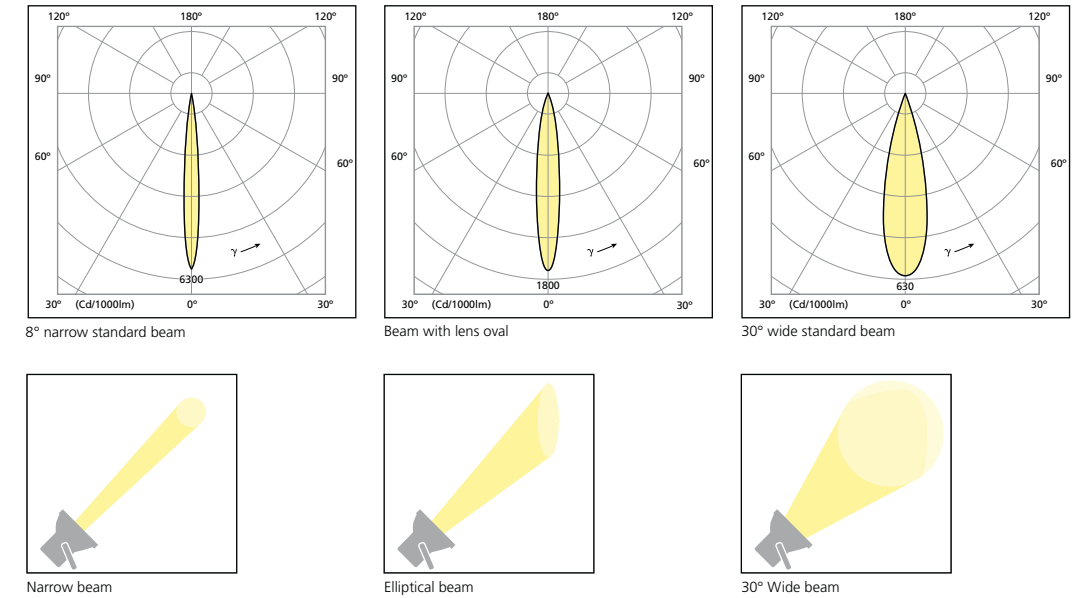
Code (luminaire only)	Description	Beam angle (°)	Lamp Icon	Item code (lamp only)	Description	Base	Colour temp (k)	Light lumens (lm)	Cri class
Archflood 3 70W									
0049323	ARCHFLOOD 3 GRY NARR 70W G12 MGR	8°		0020301	CMI-T 70W/WDL	G12	3,000	6,900	90
				0020305	CMI-T 70W/NDL	G12	4,200	7,000	96
0049329	ARCHFLOOD 3 GRY WIDE 70W G12 MGR	30°		0020335	HSI-T 70W/WDL	G12	3,000	6,000	80+
				0020340	HSI-T 70W/NDL	G12	4,200	7,000	80+
Archflood 3 35W									
0049324	ARCHFLOOD 3 GRY NARR 35W G12 MGR	8°		0020300	CMI-T 35W/WDL	G12	3,000	3,700	91
0049330	ARCHFLOOD 3 GRY WIDE 35W G12 MGR	30°		0020290	CMI-T 35W/NDL	G12	4,200	3,700	92
Accessories									
0049335	ARCHFLOOD 3 GRY ANTIGLARE SHIELD								
0049336	ARCHFLOOD 3 GRY ANTIGLARE RINGS								
0049337	ARCHFLOOD 3 LENS WIDE RADIAL MAX 70W								
0049338	ARCHFLOOD 3 LENS OVAL MAX 70W								

Legend: GRY = GReY; NARR = NARRow; MGR = Magnetic Gear



Archflood GC3

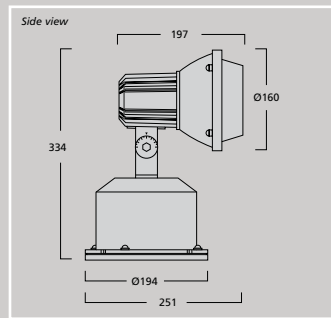
Archflood GC3 offers an outstandingly efficient luminaire and simplified installation. It houses a 8° or 30° glare controlled beam, making it the perfect unit for precise floodlighting.



Features

- 35W and 70W luminaire
- Suitable for metal halide lamps
- 8° or 30° high precision glare controlled beam
- Integrated glare control shields and external light direction cone
- Adjustable lighting angle according to the turn and tilt scale
- High protection class: IP65
- Heavy-duty die-cast housing: IK08
- High quality tempered glass
- High efficiency pure Aluminium reflector
- Fully integrated control gear

Dimensions (mm)



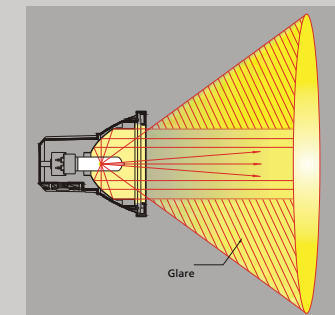
Accessories

- Sculpture lens



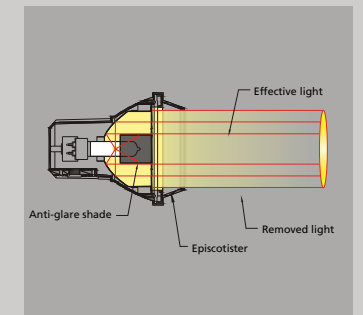
Elliptical Spread Lens

Standard floodlight vs. Glare controlled floodlight



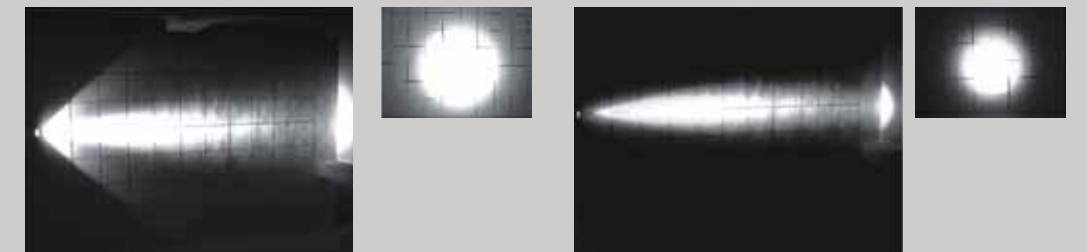
Standard floodlight

Unsharp lightpoint with a corona of low intensive light created by the uncontrolled part of the reflections inside the optical system. This effect creates a soft light point instead of a sharp spot.



Glare controlled floodlight

Very clear and well-defined illumination area without any uncontrolled light. Perfect result for spotlight illumination effects achieved by this technology.

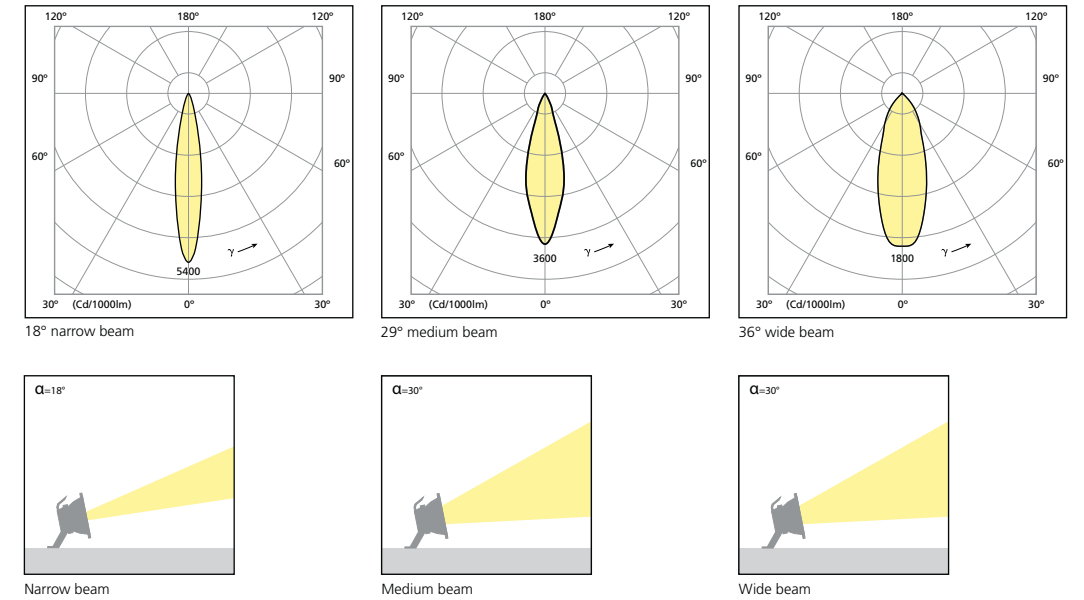


Code (luminaire only)	Description	Beam angle (°)	Lamp Icon	Item code (lamp only)	Description	Base	Colour temp (k)	Light lumens (lm)	Cri class
Archflood GC3 70W									
0049326	ARCHFLOOD GC3 GRY NARR 70W G12 MGR	8°		0020301	CMI-T 70W/WDL	G12	3,000	6,900	90
				0020305	CMI-T 70W/NDL	G12	4,200	7,000	96
0049332	ARCHFLOOD GC3 GRY WIDE 70W G12 MGR	30°		0020335	HSI-T 70W/WDL	G12	3000	6000	80+
				0020340	HSI-T 70W/NDL	G12	4,200	6,000	80+
Archflood GC3 35W									
0049327	ARCHFLOOD GC3 GRY NARR 35W G12 MGR	8°		0020300	CMI-T 35W/WDL	G12	3,000	3,700	91
0049333	ARCHFLOOD GC3 GRY WIDE 35W G12 MGR	30°		0020290	CMI-T 35W/NDL	G12	4,200	3,700	92
Accessories									
0049339	ARCHFLOOD GC3 LENS OVAL MAX 70W								

Legend: GRY = GReY; NARR = NARRow; MGR = Magnetic Gear

Powerflood 1

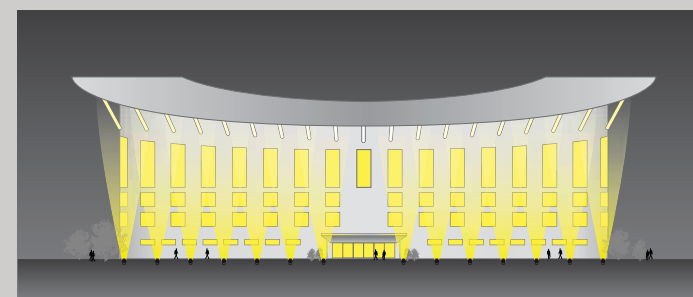
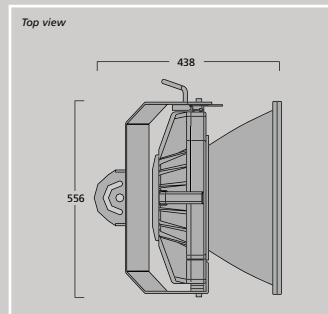
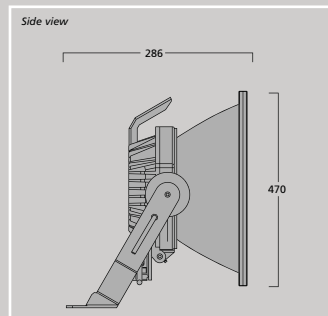
Powerflood 1 is a high performance general purpose floodlight for facade illumination, sports and general lighting. This luminaire distributes a narrow, medium or wide beam evenly, accurately and efficiently.



Features

- 1,000W and 2,000W luminaire
- Suitable for HSI-TD lamps
- Rear access for easy lamp replacement
- Beams at 18°, 29° and 36°
- Adjustable lighting angle according to the turn and tilt scale
- High protection class: IP65
- Heavy-duty die-cast housing: IK08
- High quality tempered glass
- Protective front mesh

Dimensions (mm)



Universal pole clamp

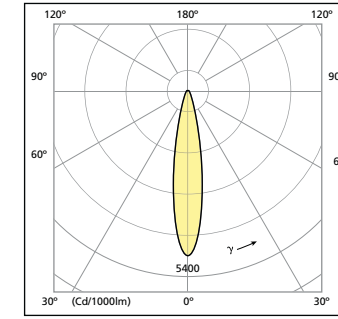
Code (luminaire only)	Description	Beam angle (°)	Lamp Icon	Item code (lamp only)	Description	Base	Colour temp (k)	Light lumens (lm)	Cri class
Powerflood 1									
0049380	POWERFLOOD 1 GRY NARR 1000W HSI-TD	18°		0020349	SA HSI-TD 1000W/D	Cable	5,900	90,000	90+
0049381	POWERFLOOD 1 GRY NARR 2000W HSI-TD	18°		0020339	HSI-TD 2000W/D	Cable	5,900	200,000	90+
0049382	POWERFLOOD 1 GRY WIDE 1000W HSI-TD	29°		0020349	SA HSI-TD 1000W/D	Cable	5,900	90,000	90+
0049383	POWERFLOOD 1 GRY WIDER 2000W HSI-TD	29°		0020339	HSI-TD 2000W/D	Cable	5,900	200,000	90+
0049384	POWERFLOOD 1 GRY XWIDE 1000W HSI-TD	36°		0020349	SA HSI-TD 1000W/D	Cable	5,900	90,000	90+
0049385	POWERFLOOD 1 GRY XWIDE 2000W HSI-TD	36°		0020339	HSI-TD 2000W/D	Cable	5,900	200,000	90+
Accessories									
0049386	POWERFLOOD 1 EXTGEAR 1000W								
0049387	POWERFLOOD 1 EXTGEAR 2000W								
0039837	UNIVERSAL POLE CLAMP								

Legend: GRY = GRAY; NARR = NARROW; MGR = Magnetic Gear; EXTGEAR = EXTERNAL GEAR tray

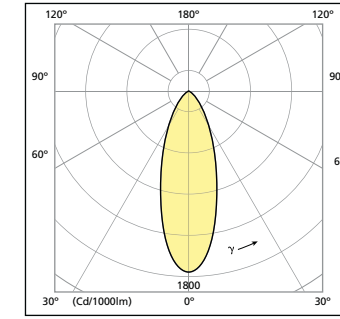
External gear boxes need to be ordered separately

FloodLED 75

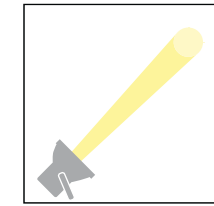
FloodLED 75 is a versatile LED outdoor floodlight particularly suited to medium-scale lighting projects.



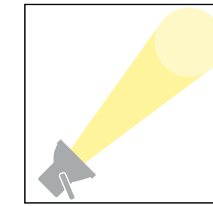
18° narrow beam



42° wide beam



Narrow beam

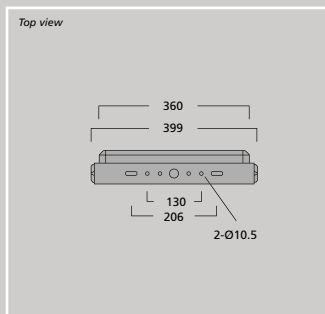
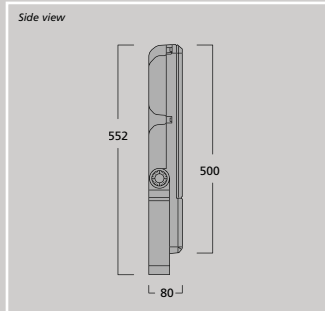
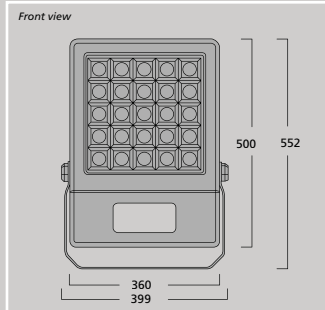


Wide beam

Features

- Up to 10000 Lumens
- 120W LED luminaire
- Ultraflat housing
- High efficient thermal design: t_a -30°C - +60°C
- Tight binning selection of LEDs: CRI 75-80
- 3 light temperatures:
 - 3500K Intermediate white
 - 4500K Cool white
 - 6500K Daylight
- 2 beam angles:
 - Narrow at 18°
 - Wide at 42°
- Energy saving LED luminaire: Up to 82 lm/W
- High protection class: IP65
- Heavy-duty die-cast housing: IK08

Dimensions (mm)



Accessories

- Universal Pole Clamp



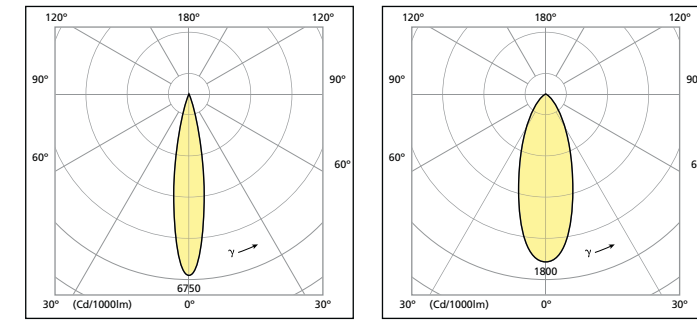
Universal pole clamp



Item Code	Description	Wattage (W)	Lens (°)	Leds	Colour Temp (K)
Narrow					
0047718	FLOODLED 75 6500K NARROW	120	18	LED WHITE	6,500
0047719	FLOODLED 75 4500K NARROW	120	18	LED WHITE	4,500
0047720	FLOODLED 75 3500K NARROW	120	18	LED WHITE	3,500
Wide					
0047721	FLOODLED 75 6500K WIDE	120	42	LED WHITE	6,500
0047722	FLOODLED 75 4500K WIDE	120	42	LED WHITE	4,500
0047723	FLOODLED 75 3500K WIDE	120	42	LED WHITE	3,500
Accessories					
0039837	UNIVERSAL POLE CLAMP				

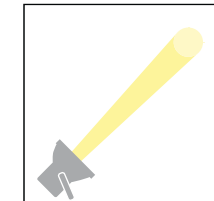
FloodLED 48

FloodLED 48 is an ultra-thin, rugged LED floodlight for facade and general lighting.

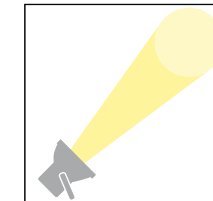


18° narrow beam

42° wide beam



Narrow beam

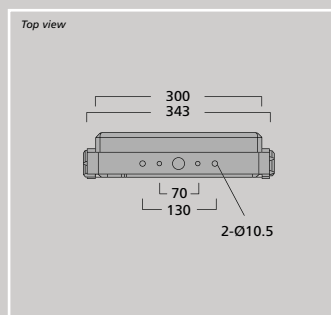
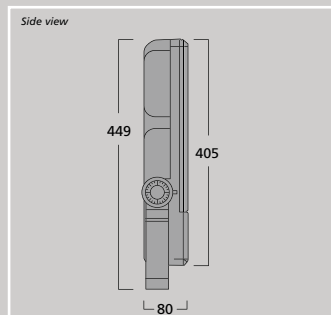
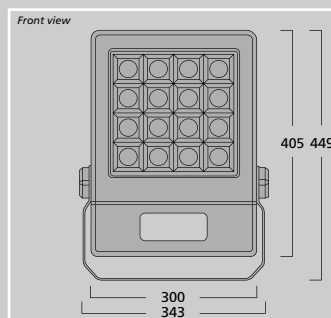


Wide beam

Features

- Up to 6000 Lumens
- 80W LED luminaire
- Ultraflat housing
- High efficient thermal design: t_a -30°C - +60°C
- Tight binning selection of LEDs: CRI 75-80
- 3 light temperatures:
 - 3500K Intermediate white
 - 4500K Cool white
 - 6500K Daylight
- 2 beam angles:
 - Narrow at 18°
 - Wide at 42°
- Energy saving LED luminaire: Up to 70 lm/W
- High protection class: IP65
- Heavy-duty die-cast housing: IK08

Dimensions (mm)



Accessories

- Universal Pole Clamp



Universal pole clamp

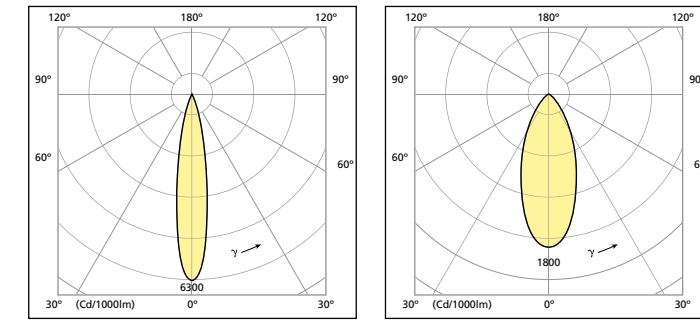


Item Code	Description	Wattage (W)	Lens (°)	Leds	Colour Temp (K)
Narrow					
0047712	FLOODLED 48 6500K NARROW	80	18	LED WHITE	6,500
0047713	FLOODLED 48 4500K NARROW	80	18	LED WHITE	4,500
0047714	FLOODLED 48 3500K NARROW	80	18	LED WHITE	3,500
Wide					
0047715	FLOODLED 48 6500K WIDE	80	42	LED WHITE	6,500
0047716	FLOODLED 48 4500K WIDE	80	42	LED WHITE	4,500
0047717	FLOODLED 48 3500K WIDE	80	42	LED WHITE	3,500
Accessories					
0039837	UNIVERSAL POLE CLAMP				



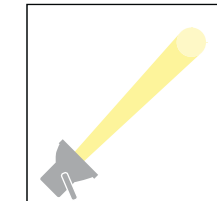
FloodLED 27

FloodLED 27 offers ease and flexibility of installation, operational efficiency and outstanding control.

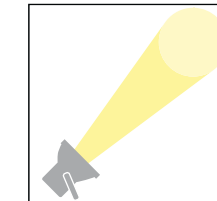


18° narrow beam

42° wide beam



Narrow beam

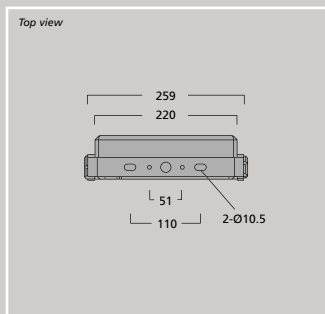
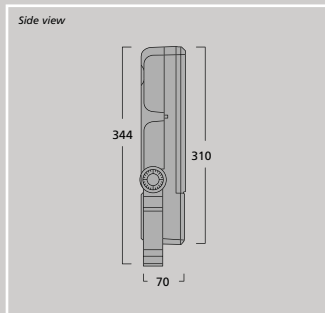
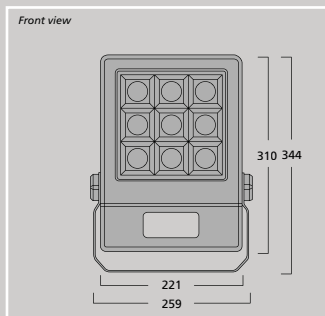


Wide beam

Features

- Up to 3500 Lumens
- 45W LED luminaire
- Ultraflat housing
- High efficient thermal design: t_a -30°C - +60°C
- Tight binning selection of LEDs: CRI 75-80
- 3 light temperatures:
 - 3500K Intermediate white
 - 4500K Cool white
 - 6500K Daylight
- 2 beam angles:
 - Narrow at 18°
 - Wide at 42°
- Energy saving LED luminaire: Up to 75 lm/W
- High protection class: IP65
- Heavy-duty die-cast housing: IK08

Dimensions (mm)



Accessories

- Universal Pole Clamp



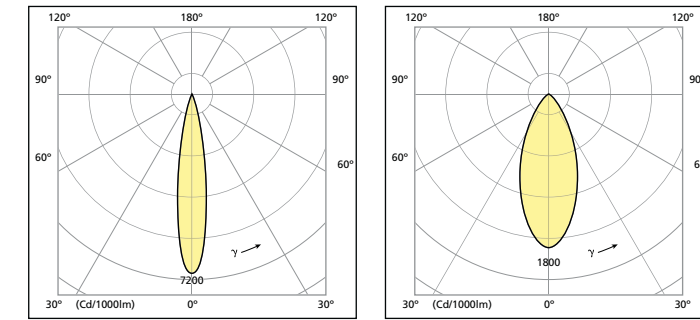
Universal pole clamp



Item Code	Description	Wattage (W)	Lens (°)	Leds	Colour Temp (K)
Narrow					
0047706	FLOODLED 27 6500K NARROW	45	18	LED WHITE	6,500
0047707	FLOODLED 27 4500K NARROW	45	18	LED WHITE	4,500
0047708	FLOODLED 27 3000K NARROW	45	18	LED WHITE	3,500
Wide					
0047709	FLOODLED 27 6500K WIDE	45	42	LED WHITE	6,500
0047710	FLOODLED 27 4500K WIDE	45	42	LED WHITE	4,500
0047711	FLOODLED 27 3500K WIDE	45	42	LED WHITE	3,500
Accessories					
0039837	UNIVERSAL POLE CLAMP				

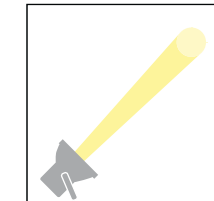
FloodLED 12

FloodLED 12 is a floodlight which offers all the benefits of LED-based lighting: compact, robust, energy and maintenance savings.

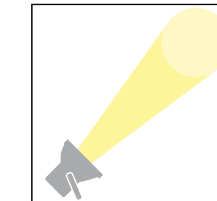


18° narrow beam

42° wide beam



Narrow beam

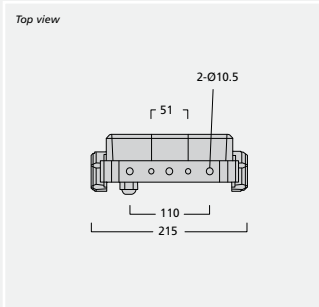
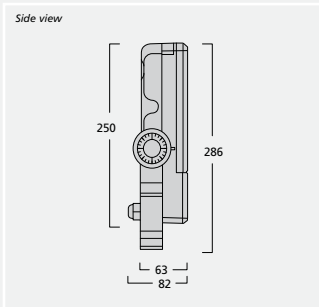
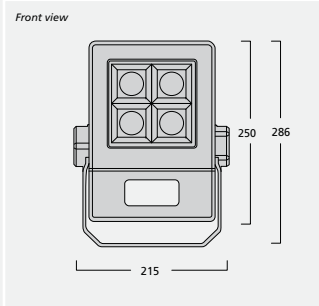


Wide beam

Features

- Up to 1700 Lumens
- 25W LED luminaire
- Ultraflat housing
- High efficient thermal design: t_a -30°C - +60°C
- Tight binning selection of LEDs: CRI 75-80
- 3 light temperatures:
 - 3500K Intermediate white
 - 4500K Cool white
 - 6500K Daylight
- 2 beam angles:
 - Narrow at 18°
 - Wide at 42°
- Energy saving LED luminaire: Up to 65 lm/W
- High protection class: IP65
- Heavy-duty die-cast housing: IK08

Dimensions (mm)



Accessories

- Universal Pole Clamp



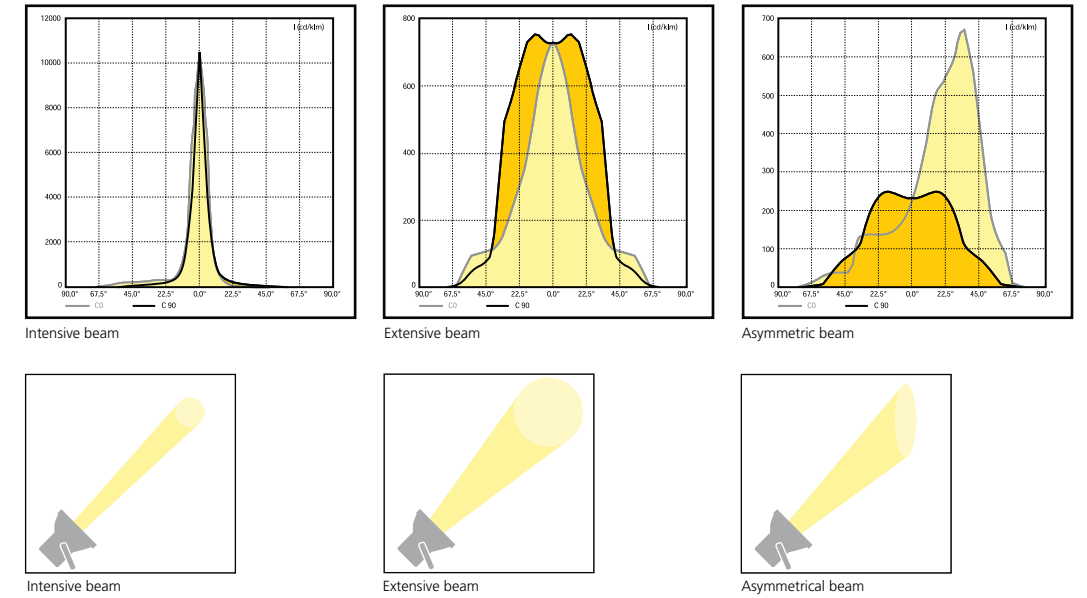
Universal pole clamp



Item Code	Description	Wattage (W)	Lens (°)	Leds	Colour Temp (K)
Narrow					
0047700	FLOODLED 12 6500K NARROW	25	18	LED WHITE	6,500
0047701	FLOODLED 12 4500K NARROW	25	18	LED WHITE	4,500
0047702	FLOODLED 12 3500K NARROW	25	18	LED WHITE	3,500
Wide					
0047703	FLOODLED 12 6500K WIDE	25	42	LED WHITE	6,500
0047704	FLOODLED 12 4500K WIDE	25	42	LED WHITE	4,500
0047705	FLOODLED 12 3500K WIDE	25	42	LED WHITE	3,500
Accessories					
0039837	UNIVERSAL POLE CLAMP				

Sylveo 1

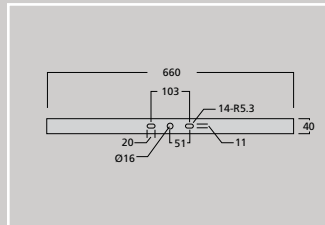
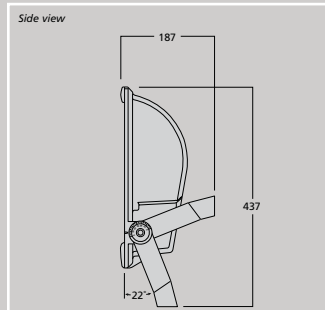
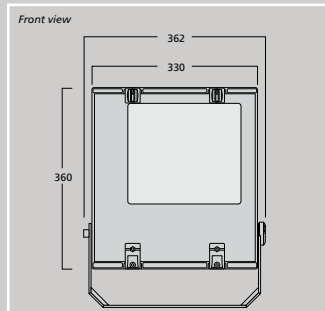
Combining durability and style, Sylveo delivers high performance lighting for your indoor and outdoor projects.



Features

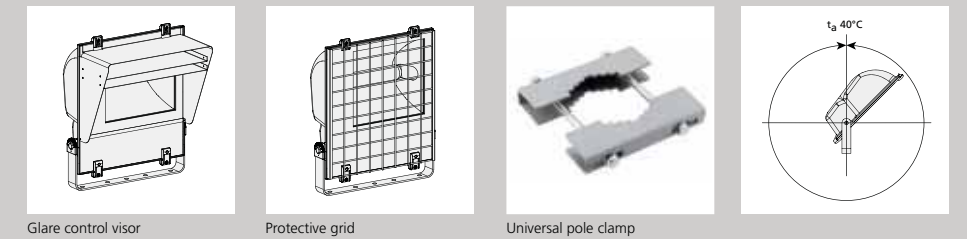
- Robust die-cast and streamlined aluminium body
- 5mm toughened printed glass and silicon gasket ensure closure to IP 65
- Gore-Tex® screw-in vent constantly allows the floodlight to breathe with changing environmental conditions, avoiding condensation to develop in the unit
- Developed with the outdoors in mind:
 - Running temperature scale from -30°C to +40°C
 - Wind exposed surface 0.11m²
 - Galvanised steel bracket, secured with stainless steel M10 screws
 - Goniometers in polyamide PA66 ensures a precise tilt
- Glass sturdily held in place with two movable clips at the top, and two rotary anti-loss hinges support at the bottom
- High optical performance for external use
- Reflectors in highly polished and anodised aluminium (99.8%) hammered for symmetrical extensive & asymmetrical versions
- Gear box and lamp included

Dimensions (mm)



Accessories

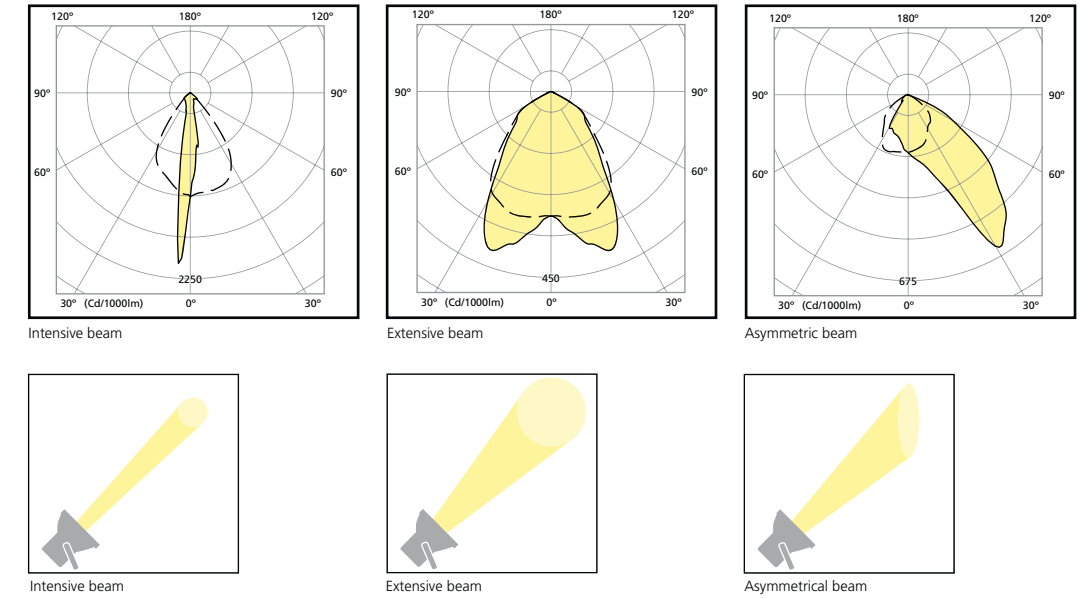
- Glare control visor
- Protective grid
- Pole clamp



item code	Description	Watt (w)	Beam angle	Lamp image	Base	Colour temp (k)	Light lumens (lm)	Cri class
Sylveo 1 Intensive								
0039800	Sylveo 1 HSI-TD 70W	70	Intensive	RX7S	E27	4200	5800	80+
0039804	Sylveo 1 HSI-MP 100W	100	Intensive	E27	E27	4000	8500	70+
0039801	Sylveo 1 HSI-TD 150	150	Intensive	RX7S-24	E27	4200	12500	80+
0039802	Sylveo 1 SHS-TS 70W	70	Intensive	E27	E27	2050	6800	30+
0039803	Sylveo 1 SHS-TS 150W	150	Intensive	E40	E40	2050	17500	30+
Sylveo 1 Extensive								
0039805	Sylveo 1 HSI-TD 70W	70	Extensive	RX7S	E27	4200	5800	80+
0039809	Sylveo 1 HSI-MP 100W	100	Extensive	E27	E27	4000	8500	70+
0039806	Sylveo 1 HSI-TD 150	150	Extensive	RX7S-24	E27	4200	12500	80+
0039807	Sylveo 1 SHS-TS 70W	70	Extensive	E27	E27	2050	6800	30+
0039808	Sylveo 1 SHS-TS 150W	150	Extensive	E40	E40	2050	17500	30+
Sylveo 1 Asymmetric								
0039810	Sylveo 1 HSI-TD 70W	70	Asymmetric	RX7S	E27	4200	5800	80+
0039814	Sylveo 1 HSI-MP 100W	100	Asymmetric	E27	E27	4000	8500	70+
0039811	Sylveo 1 HSI-TD 150	150	Asymmetric	RX7S-24	E27	4200	12500	80+
0039812	Sylveo 1 SHS-TS 70W	70	Asymmetric	E27	E27	2050	6800	30+
0039813	Sylveo 1 SHS-TS 150W	150	Asymmetric	E40	E40	2050	17500	30+
Accessories								
0039836	Glare control visor							
0039835	Protective grid							
0039837	Universal pole clamp							

Sylveo 2

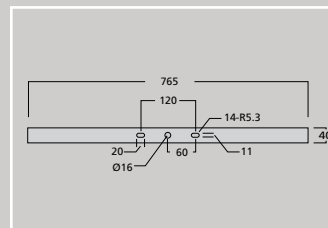
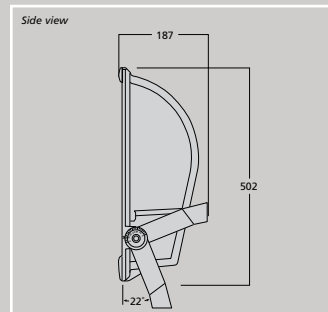
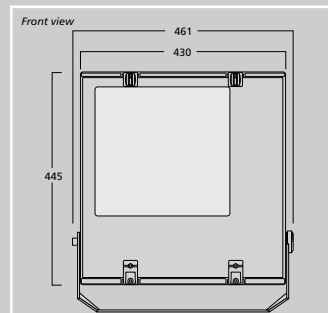
Sylveo 2 delivers maximum performance lighting for more demanding lighting projects, such as Commercial and industrial installations, where extra power is necessary.



Features

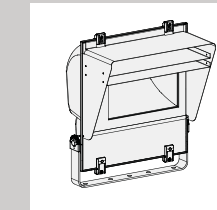
- Robust die-cast and streamlined aluminium body
- 5mm toughened printed glass and silicon gasket ensure closure to IP 65
- Gore-Tex® screw-in vent constantly allows the floodlight to breathe with changing environmental conditions, avoiding condensation to develop in the unit
- Developed with the outdoors in mind:
 - Running temperature scale from -30°C to +40°C
 - Wind exposed surface 0.11m²
 - Galvanised steel bracket, secured with stainless steel M10 screws
 - Goniometers in polyamide PA66 ensures a precise tilt
- Glass sturdily held in place with two movable clips at the top, and two rotary anti-loss hinges support at the bottom
- High optical performance for external use
- Reflectors in highly polished and anodised aluminium (99.8%) hammered for symmetrical extensive & asymmetrical versions
- Gear box and lamp included

Dimensions (mm)

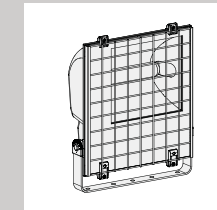


Accessories

- Glare control visor
- Protective grid
- Pole clamp



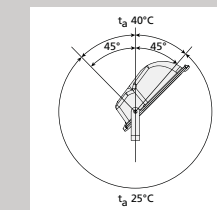
Glare control visor



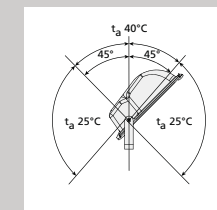
Protective grid



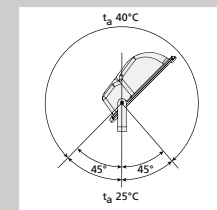
Universal pole clamp



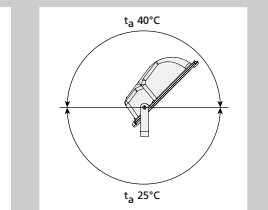
SHP-TS 250W



SHP-TS 400W



HSI-THX 250W



HSI-THX 400W



item code	Description	Watt (w)	Beam angle	Lamp image	Base	Colour temp (k)	Light lumens (lm)	Cri class
Sylveo 2 Intensive								
0039820	Sylveo 2. HSI-TSX 250W	250	Intensive	E40	4,200	21,000	60+	
0039821	Sylveo 2. HSI-TSX 400W	400	Intensive	E40	4,200	36,000	60+	
0039822	Sylveo 2. SHP-TS 250W	250	Intensive	E40	2,050	32,000	30+	
0039823	Sylveo 2. SHP-TS 400W	400	Intensive	E40	2,050	55,000	30+	
Sylveo 2 Extensive								
0039824	Sylveo 2. HSI-TSX 250W	250	Extensive	E40	4,200	21,000	60+	
0039825	Sylveo 2. HSI-TSX 400W	400	Extensive	E40	4,200	36,000	60+	
0039826	Sylveo 2. SHP-TS 250W	250	Extensive	E40	28,000	2,050	30+	
0039827	Sylveo 2. SHP-TS 400W	400	Extensive	E40	2,050	55,000	30+	
Sylveo 2 Asymmetric								
0039828	Sylveo 2. HSI-TSX 250W	250	Asymmetric	E40	21,000	4,200	60+	
0039829	Sylveo 2. HSI-TSX 400W	400	Asymmetric	E40	4,200	36,000	60+	
0039830	Sylveo 2. SHP-TS 250W	250	Asymmetric	E40	28,000	2,050	30+	
0039831	Sylveo 2. SHP-TS 400W	400	Asymmetric	E40	2,050	55,000	30+	
Accessories								
0039839	Glare control visor							
0039838	Protective grid							
0039837	Universal pole clamp							

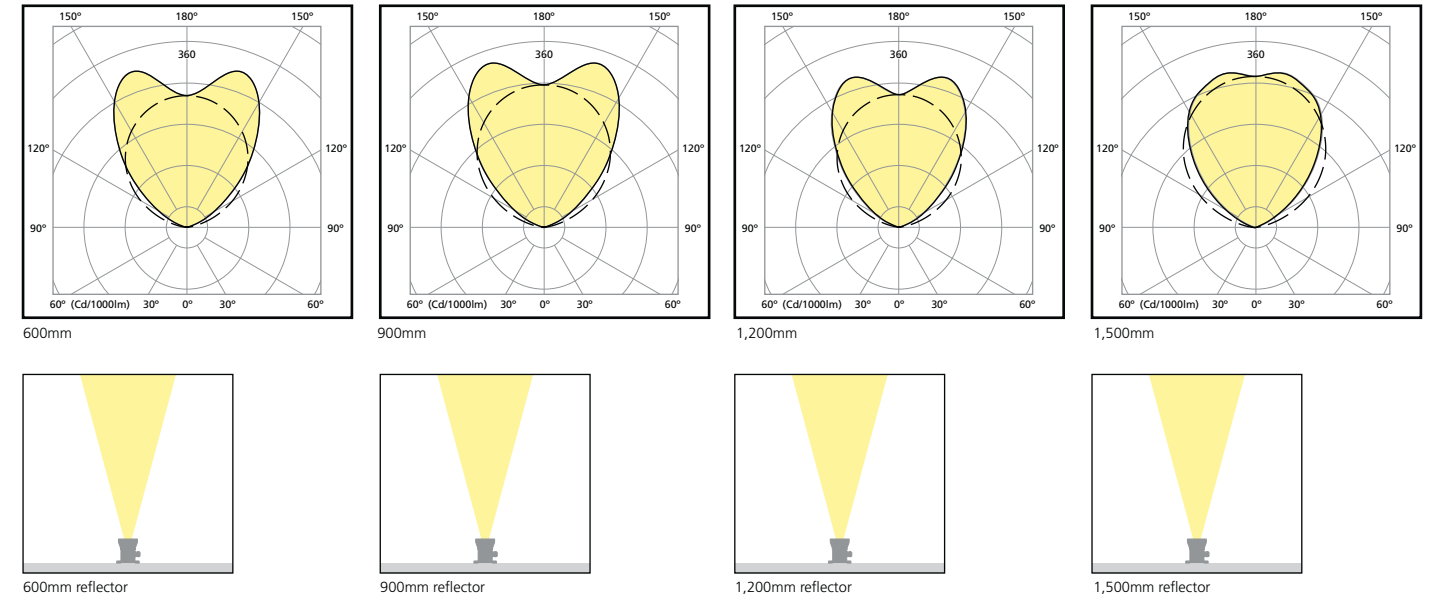
FLOODLINE

Floodline is a new range of high performance linear luminaires to enhance architectural details of facades and buildings with high quality light. What's more, they deliver superior illumination quality and excellent performance.



Floodline 1

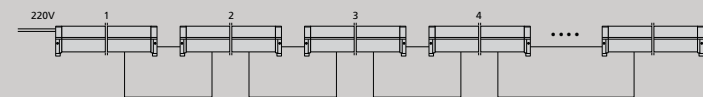
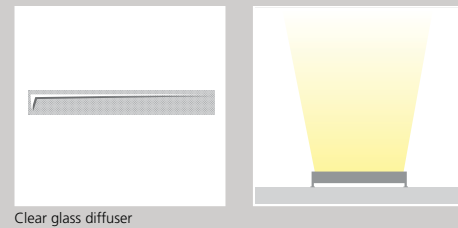
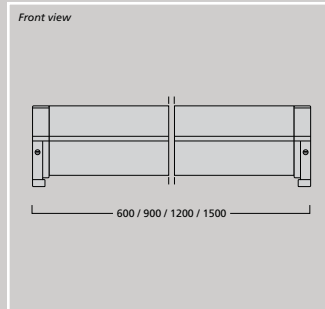
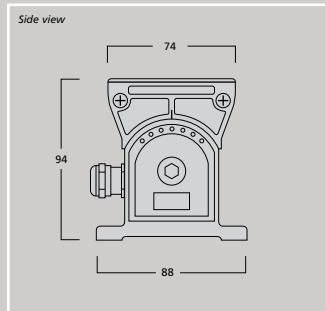
Floodline 1 is perfect for controlled wall-washing applications, providing a uniform pure white light.



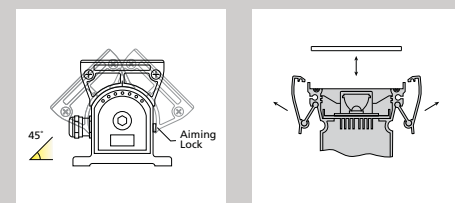
Features

- 14W, 21W, 28W, 35W and 54W luminaires
- Suitable for T5 lamps
- Symmetric light
- Integrated Electronic Ballast
- High protection class: IP65
- 4 lengths:
 - 600mm
 - 900mm
 - 1,200mm
 - 1,500mm
- Adjusting light angle thanks to its tiltable base
- For base mounting
- Provision for through-wiring as standard on Floodline 1, 2 & 3

Dimensions (mm)



Floodline 1, 2 and 3 through wiring diagram



Accurate casting angle adjusting and locking function, can adjust maximum 45° (both sides)

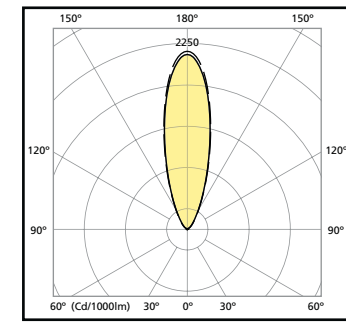
Special design of "clip on" system guarantee IP rated and easy maintenance.

Code (luminaire only)	Description	Watt (w)	Length (mm)	Mount	Glass	Beam angle	Lamp	Item code (lamp only)	Description	Base	Colour temp (k)	Light lumens (lm)	Cri class
Floodline 1 14W													
0049450	FLOODLINE 1-600 GRY SYMM	14	600	Base	Clear	Symmetric	T5/Single	0002798	T5 FHE LUXLINE(R) PLUS FHE 14W/827	G5	2,700	1,350	80+
	T5/Single						0002760	T5 FHE LUXLINE(R) PLUS FHE 14W/830	G5	3,000	1,350	80+	
	T5/Single						0002787	T5 FHE LUXLINE(R) PLUS FHE 14W/835	G5	3,500	1,350	80+	
	T5/Single						0002761	T5 FHE LUXLINE(R) PLUS FHE 14W/840	G5	4,000	1,350	80+	
	T5/Single						0002762	T5 FHE LUXLINE(R) PLUS FHE 14W/865	G5	6,500	1,250	80+	
Floodline 1 21W													
0049451	FLOODLINE 1-900 GRY SYMM	21	900	Base	Clear	Symmetric	T5/Single	0002799	T5 FHE LUXLINE(R) PLUS FHE 21W/827	G5	2,700	2,100	80+
	T5/Single						0002763	T5 FHE LUXLINE(R) PLUS FHE 21W/830	G5	3,000	2,100	80+	
	T5/Single						0002788	T5 FHE LUXLINE(R) PLUS FHE 21W/835	G5	3,500	2,100	80+	
	T5/Single						0002764	T5 FHE LUXLINE(R) PLUS FHE 21W/840	G5	4,000	2,100	80+	
	T5/Single						0002765	T5 FHE LUXLINE(R) PLUS FHE 21W/865	G5	6,500	1,950	80+	
Floodline 1 28W													
0049452	FLOODLINE 1-1200 GRY SYMM	28	1,200	Base	Clear	Symmetric	T5/Single	0002800	T5 FHE LUXLINE(R) PLUS FHE 28W/827	G5	2,700	2,900	80+
	T5/Single						0002766	T5 FHE LUXLINE(R) PLUS FHE 28W/830	G5	3,000	2,900	80+	
	T5/Single						0002789	T5 FHE LUXLINE(R) PLUS FHE 28W/835	G5	3,500	2,900	80+	
	T5/Single						0002767	T5 FHE LUXLINE(R) PLUS FHE 28W/840	G5	4,000	2,900	80+	
	T5/Single						0002768	T5 FHE LUXLINE(R) PLUS FHE 28W/865	G5	6,500	2,700	80+	
Floodline 1 35W													
0049453	FLOODLINE 1-1500 GRY SYMM	35	1,500	Base	Clear	Symmetric	T5/Single	0002801	T5 FHE LUXLINE(R) PLUS FHE 35W/827	G5	2,700	3,650	80+
	T5/Single						0002769	T5 FHE LUXLINE(R) PLUS FHE 35W/830	G5	3,000	3,650	80+	
	T5/Single						0002790	T5 FHE LUXLINE(R) PLUS FHE 35W/835	G5	3,500	3,650	80+	
	T5/Single						0002770	T5 FHE LUXLINE(R) PLUS FHE 35W/840	G5	4,000	2,900	80+	
	T5/Single						0002771	T5 FHE LUXLINE(R) PLUS FHE 35W/865	G5	6,500	3,400	80+	
Floodline 1 54W													
0049454	FLOODLINE 1-1200 GRY SYMM	54	1,200	Base	Clear	Symmetric	T5/Single	0002805	T5 FHO LUXLINE(R) PLUS FHE 54W/827	G5	2,700	5,000	80+
	T5/Single						0002781	T5 FHO LUXLINE(R) PLUS FHE 54W/830	G5	3,000	5,000	80+	
	T5/Single						0002794	T5 FHO LUXLINE(R) PLUS FHE 54W/835	G5	3,500	5,000	80+	
	T5/Single						0002782	T5 FHO LUXLINE(R) PLUS FHE 54W/840	G5	4,000	5,000	80+	
	T5/Single						0002783	T5 FHO LUXLINE(R) PLUS FHE 54W/865	G5	6,500	4,550	80+	

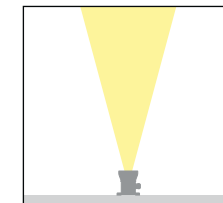
Legend: GRY = GREY; SYMM = SYMMetrical; EB = Electronic Ballast

Floodline 2

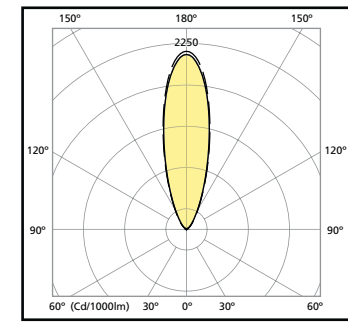
Floodline 2 is perfect for both white or coloured wall-washing applications. It offers superior LED white or LED RGB-DMX light.



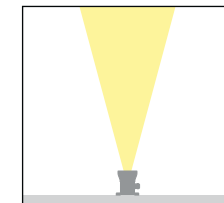
325mm LED White only (RGB-DMX not applicable)



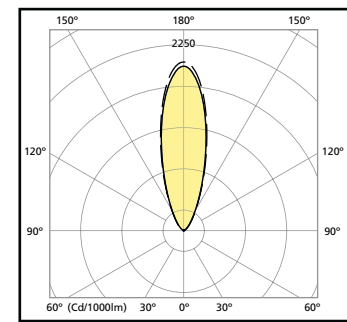
325mm reflector



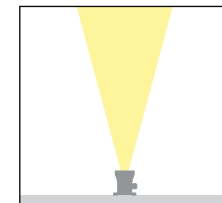
615mm LED White only (RGB-DMX not applicable)



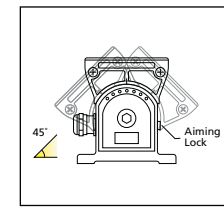
615mm reflector



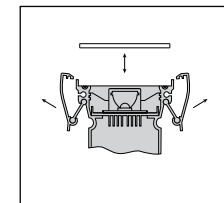
900mm LED White only (RGB-DMX not applicable)



900mm reflector



Accurate casting angle adjusting and locking function, can adjust maximum 45° (both sides)

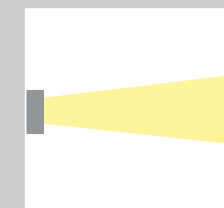
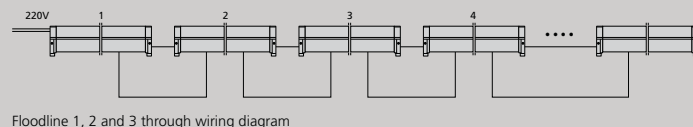
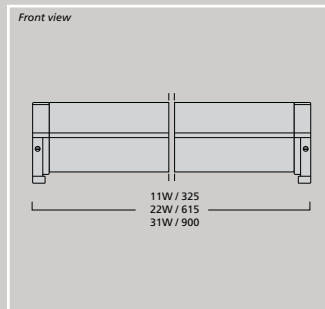
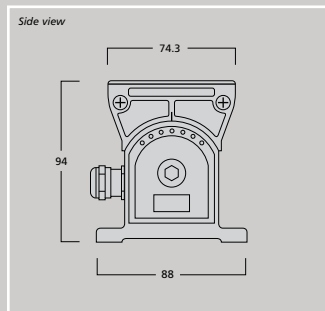


Special design of "clip on" system guarantee IP rated and easy maintenance.

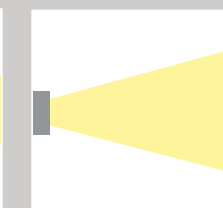
Features

- 9W, 18W & 27W LED luminaires
- LED white version with 4,500K and sandblasted front glass for homogenous light distribution
- LED RGB version for DMX-control with different lens optics for different effects
- Integrated electronic drivers
- High protection class: IP65
- Linear symmetric light distribution
- Adjustable light angle thanks to its tilttable base
- 3 lengths:
325mm = 9W
615mm = 18W
900mm = 27W
- For base mounting
- Provision for through-wiring as standard on Floodline 1, 2 & 3

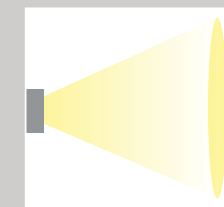
Dimensions (mm)



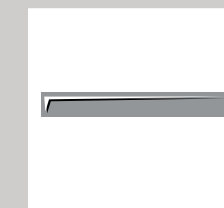
15° Clear lens



25° Clear lens



Spread lens



Clear glass diffuser



Sand-blasted glass diffuser

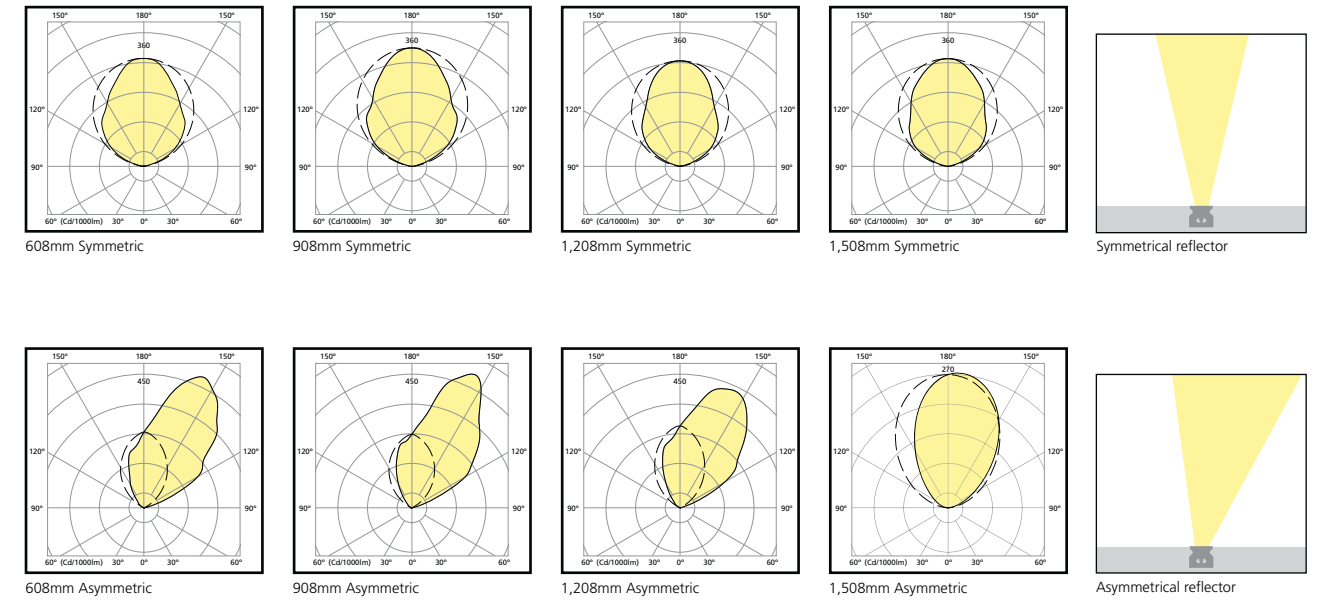
Code	Description	Watt (w)	Length (mm)	Mount	Glass	Lens (°)	LEDs
Floodline 2 9W							
0049455	FLOODLINE 2-325 GRY 15DG 9W LED RGB	9	325	Base	Clear	15	LED RGB-DMX
0049458	FLOODLINE 2-325 GRY 25DG 9W LED RGB	9	325	Base	Clear	25	LED RGB-DMX
0049461	FLOODLINE 2-325 GRY OVAL 9W LED RGB	9	325	Base	Clear	Spread	LED RGB-DMX
0049464	FLOODLINE 2-365 GRY DIFF 9W LED WHT	9	325	Base	Satin	-	LED WHITE
Floodline 2 18W							
0049456	FLOODLINE 2-615 GRY 15DG 18W LED RGB	18	615	Base	Clear	15	LED RGB-DMX
0049459	FLOODLINE 2-615 GRY 25DG 18W LED RGB	18	615	Base	Clear	25	LED RGB-DMX
0049462	FLOODLINE 2-615 GRY OVAL 18W LED RGB	18	615	Base	Clear	Spread	LED RGB-DMX
0049465	FLOODLINE 2-615 GRY DIFF 18W LED WHT	18	615	Base	Satin	-	LED WHITE
Floodline 2 27W							
0049457	FLOODLINE 2-900 GRY 15DG 27W LED RGB	27	900	Base	Clear	15	LED RGB-DMX
0049460	FLOODLINE 2-900 GRY 25DG 27W LED RGB	27	900	Base	Clear	25	LED RGB-DMX
0049463	FLOODLINE 2-900 GRY OVAL 27W LED RGB	27	900	Base	Clear	Spread	LED RGB-DMX
0049466	FLOODLINE 2-900 GRY DIFF 27W LED WHT	27	900	Base	Satin	-	LED WHITE

GRY DIFF= GREY DIFFuser; WHT = White



Floodline 3

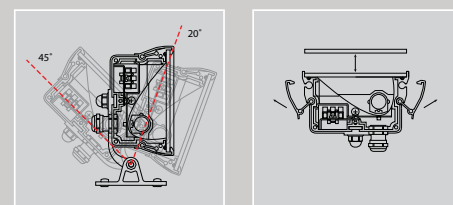
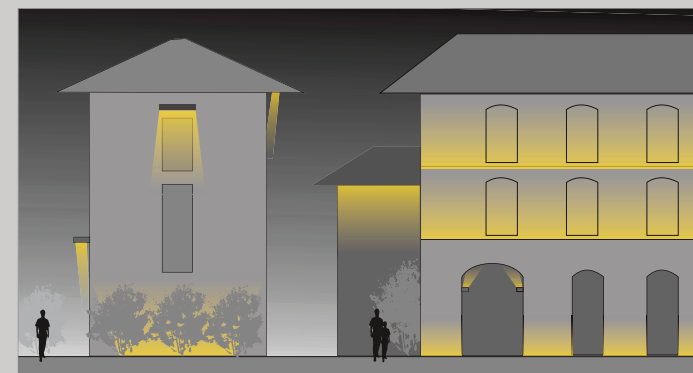
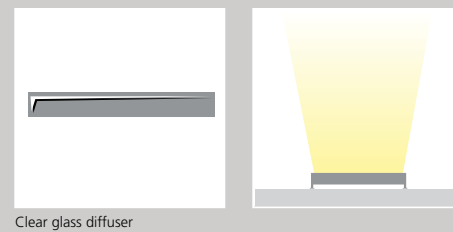
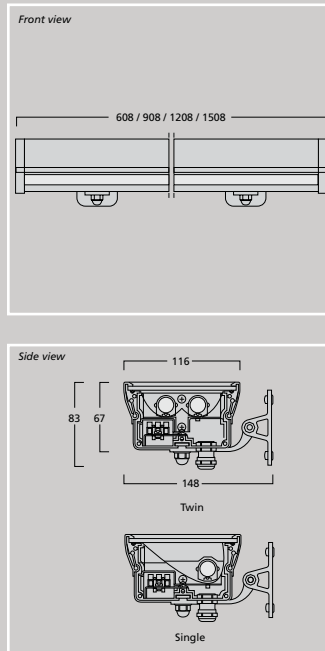
Floodline 3, a wall-mounted luminaire, delivering both symmetric and asymmetric white light.



Features

- 14W, 21W, 28W, 35W and 54W luminaires
- Twin-lamp symmetric light versions
- Single lamp asymmetric versions
- Suitable for T5 lamps
- Symmetric and asymmetric light
- Integrated Electronic Ballast
- High protection class: IP65
- 4 lengths:
 - 608mm
 - 908mm
 - 1208mm
 - 1508mm
- Tiltable
- For wall mounting
- Built-in antiglare grid for asymmetric versions
- Provision for through-wiring as standard on Floodline 1, 2 & 3 (please refer to Floodline 1 & 2 pages)

Dimensions (mm)



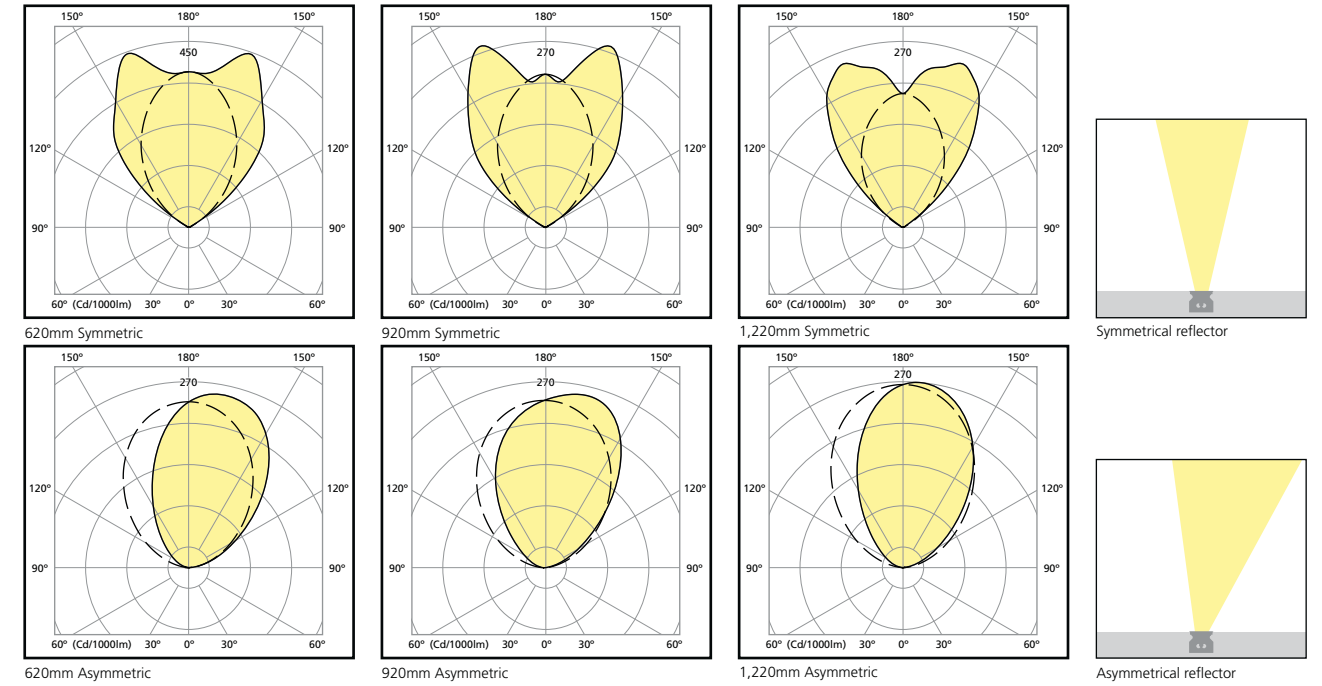
Accurate casting angle adjusting and locking function
Special design of "dip on" system guarantee IP rated and easy maintenance

Code (luminaire only)	Description	Watt (w)	Length (mm)	Mount	Glass	Beam angle	Lamp	Item code (lamp only)	Description	Base	Colour temp (k)	Light lumens (lm)	Cri class
Floodline 3 14W													
0049467	FLOODLINE 3-608 GRY SYMM 2X14W T5 EB	2x14	608	Wall	Clear	Symmetric	T5/Twin	0002798	T5 FHE LUXLINE(R) PLUS FHE 14W/827 G5	G5	2,700	1,350	80+
								0002760	T5 FHE LUXLINE(R) PLUS FHE 14W/830 G5	G5	3,000	1,350	80+
								0002787	T5 FHE LUXLINE(R) PLUS FHE 14W/835 G5	G5	3,500	1,350	80+
0049472	FLOODLINE 3-608 GRY ASYM 1X14W T5 EB	14	608	Wall	Clear with antiglare grid	Asymmetric	T5/Single	0002761	T5 FHE LUXLINE(R) PLUS FHE 14W/840 G5	G5	4,000	1,350	80+
								0002762	T5 FHE LUXLINE(R) PLUS FHE 14W/865 G5	G5	6,500	1,250	80+
Floodline 3 21W													
0049468	FLOODLINE 3-908 GRY SYMM 2X21W T5 EB	2x21	908	Wall	Clear	Symmetric	T5/Twin	0002799	T5 FHE LUXLINE(R) PLUS FHE 21W/827 G5	G5	2,700	2,100	80+
								0002763	T5 FHE LUXLINE(R) PLUS FHE 21W/830 G5	G5	3,000	2,100	80+
								0002788	T5 FHE LUXLINE(R) PLUS FHE 21W/835 G5	G5	3,500	2,100	80+
0049473	FLOODLINE 3-908 GRY ASYM 1X21W T5 EB	21	908	Wall	Clear with antiglare grid	Asymmetric	T5/Single	0002764	T5 FHE LUXLINE(R) PLUS FHE 21W/840 G5	G5	4,000	2,100	80+
								0002765	T5 FHE LUXLINE(R) PLUS FHE 21W/865 G5	G5	6,500	1,950	80+
Floodline 3 28W													
0049469	FLOODLINE 3-1208 GRY SYMM 2X28W T5 EB	2x28	1208	Wall	Clear	Symmetric	T5/Twin	0002800	T5 FHE LUXLINE(R) PLUS FHE 28W/827 G5	G5	2,700	2,900	80+
								0002766	T5 FHE LUXLINE(R) PLUS FHE 28W/830 G5	G5	3,000	2,900	80+
								0002789	T5 FHE LUXLINE(R) PLUS FHE 28W/835 G5	G5	3,500	2,900	80+
0049474	FLOODLINE 3-1208 GRY ASYM 1X28W T5 EB	28	1208	Wall	Clear with antiglare grid	Asymmetric	T5/Single	0002767	T5 FHE LUXLINE(R) PLUS FHE 28W/840 G5	G5	4,000	2,900	80+
								0002768	T5 FHE LUXLINE(R) PLUS FHE 28W/865 G5	G5	6,500	2,700	80+
Floodline 3 38W													
0049470	FLOODLINE 3-1508 GRY SYMM 2X35W T5 EB	2x38	1508	Wall	Clear	Symmetric	T5/Twin	0002801	T5 FHE LUXLINE(R) PLUS FHE 35W/827 G5	G5	2,700	3,650	80+
								0002769	T5 FHE LUXLINE(R) PLUS FHE 35W/830 G5	G5	3,000	3,650	80+
								0002790	T5 FHE LUXLINE(R) PLUS FHE 35W/835 G5	G5	3,500	3,650	80+
0049475	FLOODLINE 3-1508 GRY ASYM 1X35W T5 EB	38	1508	Wall	Clear with antiglare grid	Asymmetric	T5/Single	0002770	T5 FHE LUXLINE(R) PLUS FHE 35W/840 G5	G5	4,000	2,900	80+
								0002771	T5 FHE LUXLINE(R) PLUS FHE 35W/865 G5	G5	6,500	3,400	80+
Floodline 3 54W													
0049471	FLOODLINE 3-1208 GRY SYMM 2X54W T5 EB	2x54	1508	Wall	Clear	Symmetric	T5/Twin	0002805	T5 FHO LUXLINE(R) PLUS FHE 54W/827 G5	G5	2,700	5,000	80+
								0002781	T5 FHO LUXLINE(R) PLUS FHE 54W/830 G5	G5	3,000	5,000	80+
								0002794	T5 FHO LUXLINE(R) PLUS FHE 54W/835 G5	G5	3,500	5,000	80+
0049476	FLOODLINE 3-1208 GRY ASYM 1X54W T5 EB	54	1508	Wall	Clear with antiglare grid	Asymmetric	T5/Single	0002782	T5 FHO LUXLINE(R) PLUS FHE 54W/840 G5	G5	4,000	5,000	80+
								0002783	T5 FHO LUXLINE(R) PLUS FHE 54W/865 G5	G5	6,500	4,550	80+

Legend: GRY = GReY; SYMM = SYMMetrical; ASYM = ASYMmetrical; EB = Electronic Ballast

Floodline 4

Floodline 4 is perfect for recess mounted wall or floor lighting applications. It delivers symmetric and asymmetric fluorescent light or colourful DMX-controllable RGB-LED light.



Features

All units:

- Integrated Electronic Driver
- High protection class: IP67
- 3 lengths:
 - 620mm
 - 920mm
 - 1220mm
- Stainless steel topcover
- For recessed installation
- Recessed housing available as accessory

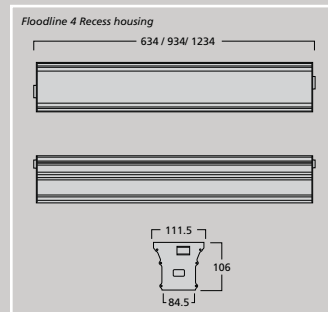
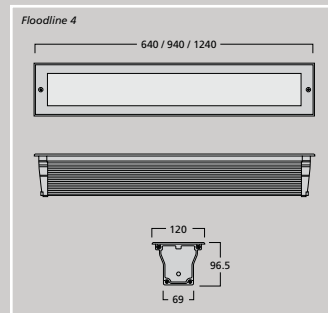
T5 lamp units:

- 14W, 21W and 28W luminaires
- T5 single lamps
- Built-in antiglare grid on symmetric version
- Partially sandblasted glass on asymmetric version

LED units:

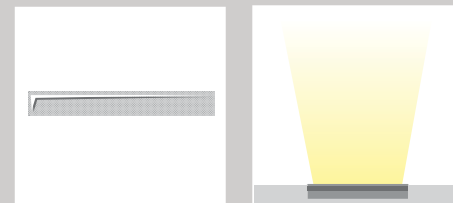
- 7W, 9W and 11W DMX controllable LED-RGB versions
- Built-in antiglare grid on symmetric version

Dimensions (mm)

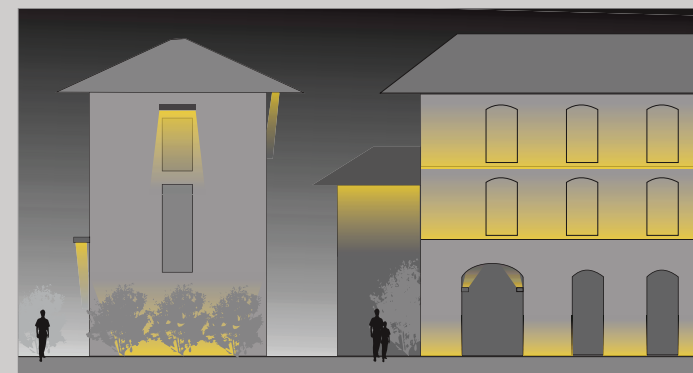


Accessories

- Stainless Steel
- Recessed housing



Sand-blasted glass diffuser



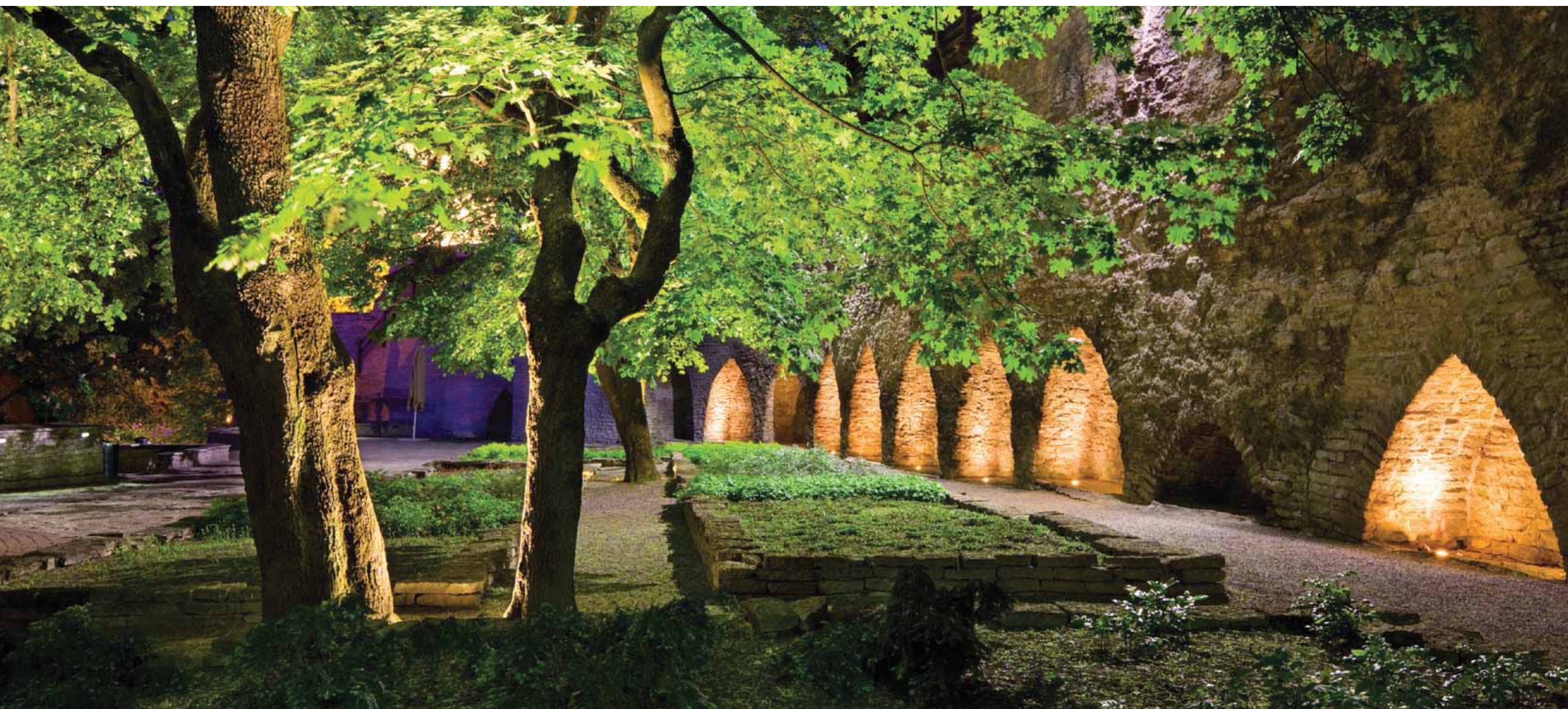
Code (luminaire only)	Description	Watt (w)	Length (mm)	Mount	Glass	Beam angle	Lamp	Item code (lamp only)	Description	Base	Colour temp (k)	Light lumens (lm)	Cri class
Floodline 4 14W													
0049477	FLOODLINE 4-620 STE SYMM 1X14W T5 EB	14	620	Recessed	Clear with antiglare grid	Symmetric	T5/Single	0002798	T5 FHE LUXLINE(R) PLUS FHE 14W/827 G5	G5	2,700	1,350	80+
								0002760	T5 FHE LUXLINE(R) PLUS FHE 14W/830 G5	G5	3,000	1,350	80+
								0002787	T5 FHE LUXLINE(R) PLUS FHE 14W/835 G5	G5	3,500	1,350	80+
0049480	FLOODLINE 4-620 STE ASYM 1X14W T5 EB	14	620	Recessed	Clear with satinised antiglare frame	Asymmetric	T5/Single	0002761	T5 FHE LUXLINE(R) PLUS FHE 14W/840 G5	G5	4,000	1,350	80+
								0002762	T5 FHE LUXLINE(R) PLUS FHE 14W/865 G5	G5	6,500	1,250	80+
Floodline 4 21W													
0049478	FLOODLINE 4-920 STE SYMM 1X21W T5 EB	21	920	Recessed	Clear with antiglare grid	Symmetric	T5/Single	0002799	T5 FHE LUXLINE(R) PLUS FHE 21W/827 G5	G5	2,700	2,100	80+
								0002763	T5 FHE LUXLINE(R) PLUS FHE 21W/830 G5	G5	3,000	2,100	80+
								0002788	T5 FHE LUXLINE(R) PLUS FHE 21W/835 G5	G5	3,500	2,100	80+
0049481	FLOODLINE 4-920 STE ASYM 1X21W T5 EB	21	920	Recessed	Clear with satinised antiglare frame	Asymmetric	T5/Single	0002764	T5 FHE LUXLINE(R) PLUS FHE 21W/840 G5	G5	4,000	2,100	80+
								0002765	T5 FHE LUXLINE(R) PLUS FHE 21W/865 G5	G5	6,500	1,950	80+
Floodline 4 28W													
0049479	FLOODLINE 4-1220 STE SYMM 1X28W T5 EB	28	1220	Recessed	Clear with antiglare grid	Symmetric	T5/Single	0002800	T5 FHE LUXLINE(R) PLUS FHE 28W/827 G5	G5	2,700	2,900	80+
								0002766	T5 FHE LUXLINE(R) PLUS FHE 28W/830 G5	G5	3,000	2,900	80+
								0002789	T5 FHE LUXLINE(R) PLUS FHE 28W/835 G5	G5	3,500	2,900	80+
0049482	FLOODLINE 4-1220 STE ASYM 1X28W T5 EB	28	1220	Recessed	Clear with satinised antiglare frame	Asymmetric	T5/Single	0002767	T5 FHE LUXLINE(R) PLUS FHE 28W/840 G5	G5	4,000	2,900	80+
								0002763	T5 FHE LUXLINE(R) PLUS FHE 28W/865 G5	G5	6,500	2,700	80+
Floodline 4 5W													
0049483	FLOODLINE 4-620 STE DIFF 5W LED RGB	5	620	Recessed	Satin	Symmetric	LED RGB-DMX						
Floodline 4 7W													
0049484	FLOODLINE 4-920 STE DIFF 7W LED RGB	7	920	Recessed	Satin	Symmetric	LED RGB-DMX						
Floodline 4 9W													
0049485	FLOODLINE 4-1220 STE DIFF 9W LED RGB	9	1220	Recessed	Satin	Symmetric	LED RGB-DMX						
Accessories													
0049486	FLOODLINE 4-620 INGROUND HOUSING												
0049487	FLOODLINE 4-920 INGROUND HOUSING												
0049488	FLOODLINE 4-1220 INGROUND HOUSING												

Legend: STE = STEel; SYMM = SYMMetrical; ASYM = ASYMmetrical; EB = Electronic Ballast

INGROUND

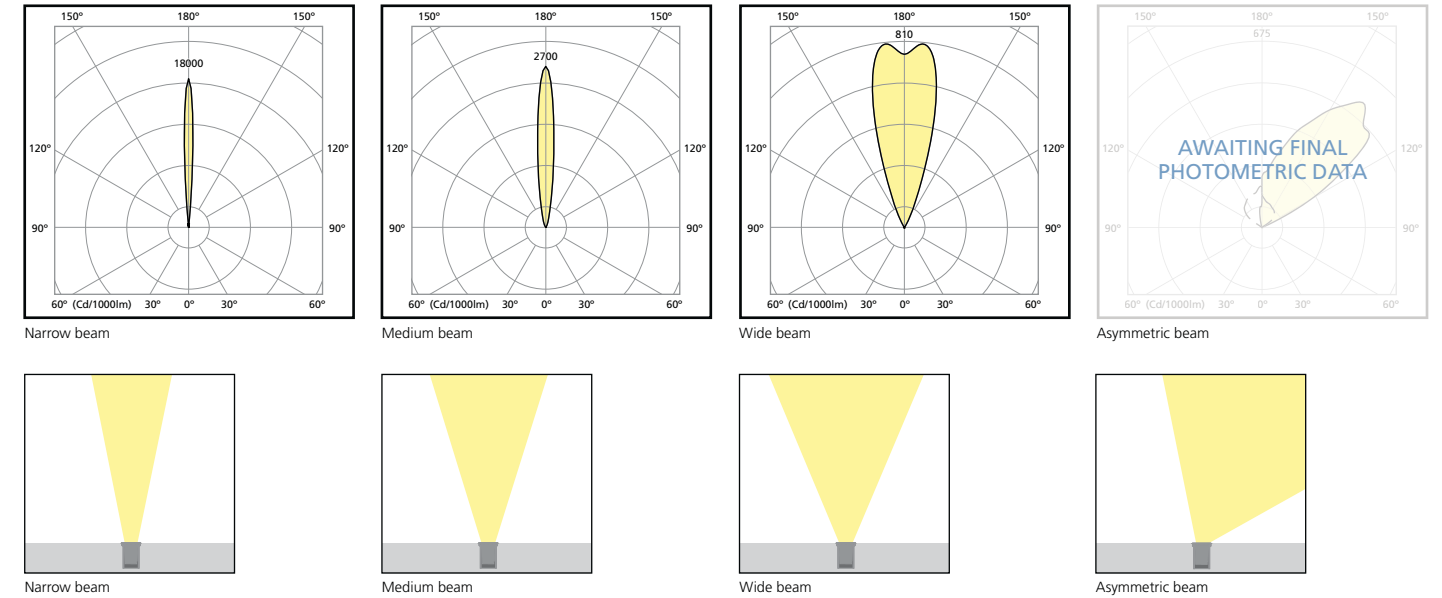
Inground is a range of 3 HID based Inground luminaires to illuminate parks, facades or even pathways. Their rugged build means they can bear a surface load capacity of up to 5,000 Kg*.

(*selected models)



218

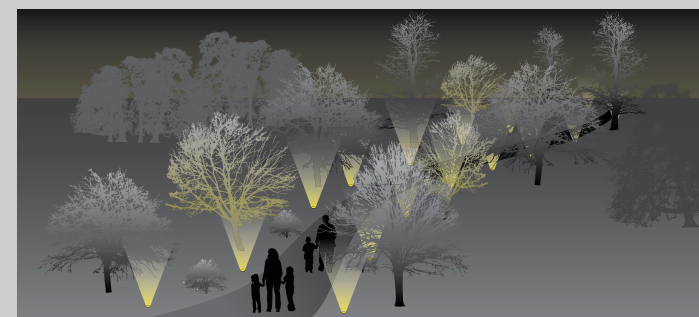
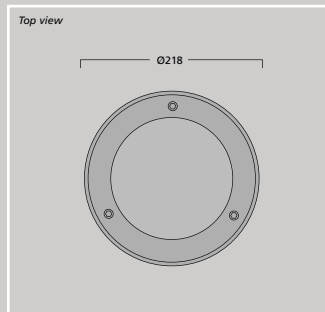
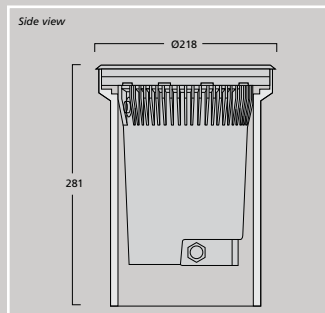
218 inground floodlight creates an attractive and exciting pathway of lights, enhancing building outdoor walkways or facades with style.



Features

- 35W G12 & G5.8 luminaire
- Suitable for metal halide lamps
- Fully integrated magnetic gear
- Narrow, medium, wide and asymmetric light beam
- High protection class: IP67
- Surface load capacity of 5,000 Kg
- Surface temperature below 75°C
- Airpressure equalising valve
- Stainless steel trim

Dimensions (mm)



Accessories

- Mounting tube
- Heatsink / Antiglare device
- Wide spread lens
- Oval lens / Sculpture lens



Wide spread lens



Oval lens / Sculpture lens



Drive Over - surface load 5,000Kg



Stainless steel ring

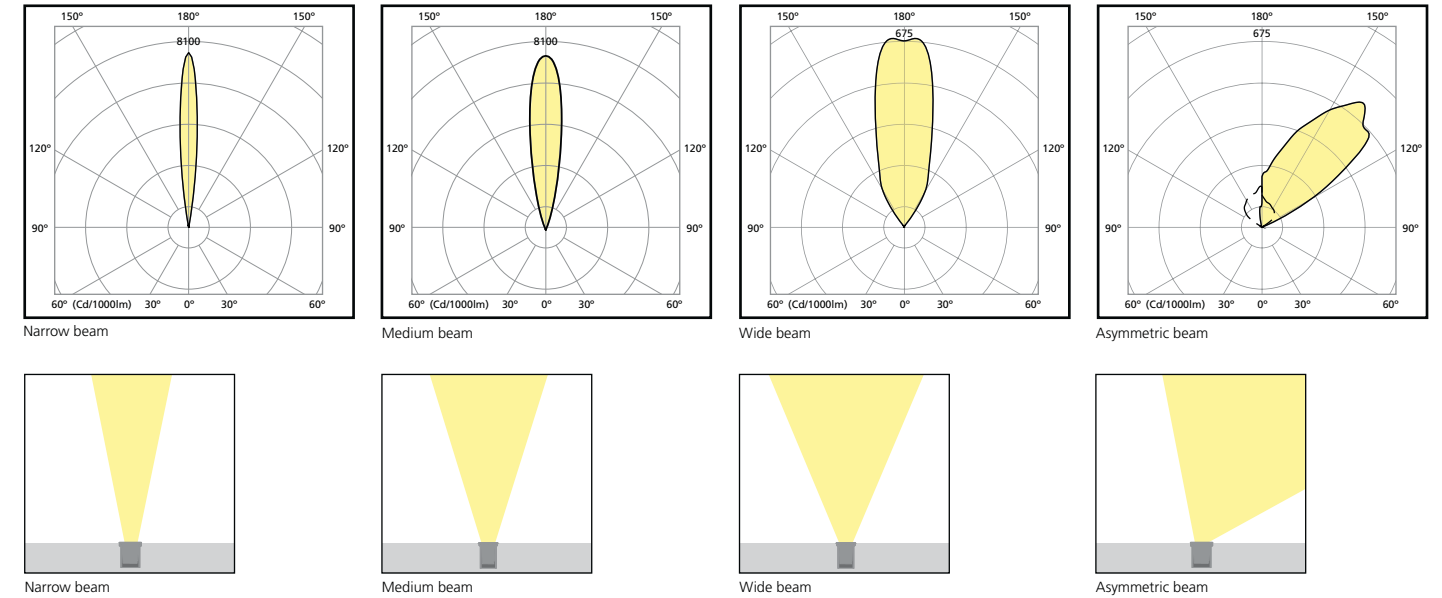


Code (luminaire only)	Description	Watt (w)	Diameter (mm)	Front ring	Beam angle	Lamp image	Item code (lamp only)	Description	Base	Colour temp (k)	Light lumens (lm)	Cri class
Inground 218 Narrow												
0049350	INGROUND 218 STE NARR 35W G12 MGR	35	218	Stainless steel	Narrow		0020300	CMI-T 35W/WDL	G12	3,000	3,700	91
							0020290	CMI-T 35W/NDL	G12	4,200	3,700	92
Inground 218 Medium												
0049354	INGROUND 218 STE MEDI 35W G12 MGR	35	218	Stainless steel	Medium		0020302	CMI-T 35W/WDL	G12	3,000	15,000	90
							0020290	CMI-T 35W/NDL	G12	4,200	3,700	92
Inground 218 Wide												
0049358	INGROUND 218 STE WIDE 35W G12 MGR	35	218	Stainless steel	Wide		0020302	CMI-T 35W/WDL	G12	3,000	15,000	90
							0020290	CMI-T 35W/NDL	G12	4,200	3,700	92
Inground 218 Asymmetric												
0049362	INGROUND 218 STE ASYM 35W G8.5MGR	35	218	Stainless steel	Asymmetric		0020303	CMI-T 35W/WDL	G8.5	3,000	3,700	91
							0020291	CMI-T 35W/NDL	G8.5	4,200	3,700	92
Accessories												
0049371	INGROUND 218 LENS WIDE RADIAL MAX 35W											
0049373	INGROUND 218 LENS OVAL RADIAL MAX 35W											
0049369	INGROUND 218 RECESSED MOUNTING BOX											

Legend: STE = STEel; NARR = NARRow; MEDI = MEDIum; ASYM = ASYMmetric; MGR = Magnetic Gear

314

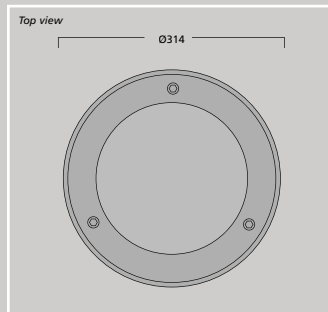
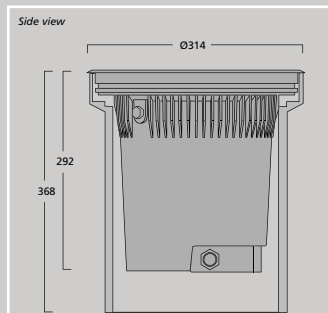
314 is a compact inground floodlight. It allows for an easy installation thanks to its shallow recess depth.



Features

- 75W & 150W G12 & RX7S luminaire
- Suitable for metal halide lamps
- Fully integrated magnetic gear
- Narrow, medium, wide and asymmetric light beam
- High protection class: IP67
- Surface load capacity of 5,000 Kg
- Surface temperature below 75°C
- Airpressure Equalising Valve
- Stainless steel trim

Dimensions (mm)



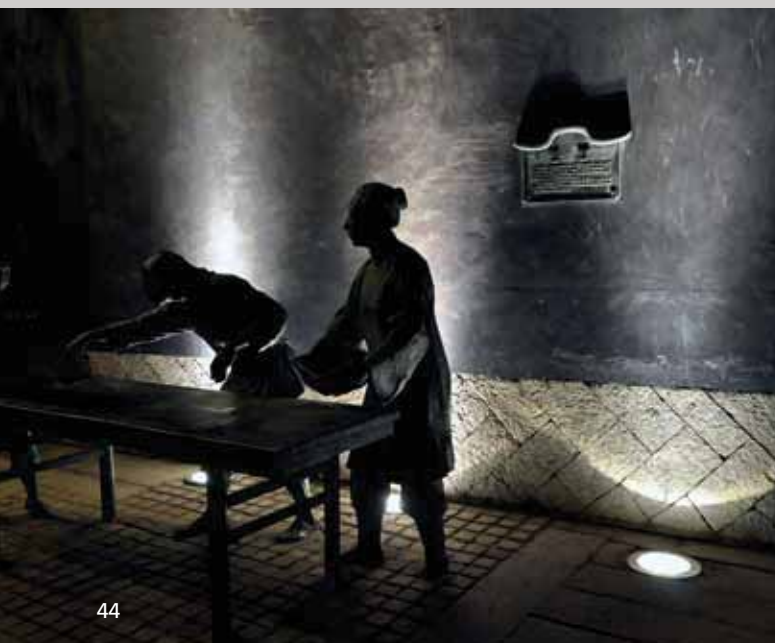
Accessories

- Mounting tube
- Heatsink / Antiglare device
- Wide spread lens
- Oval lens / Sculpture lens



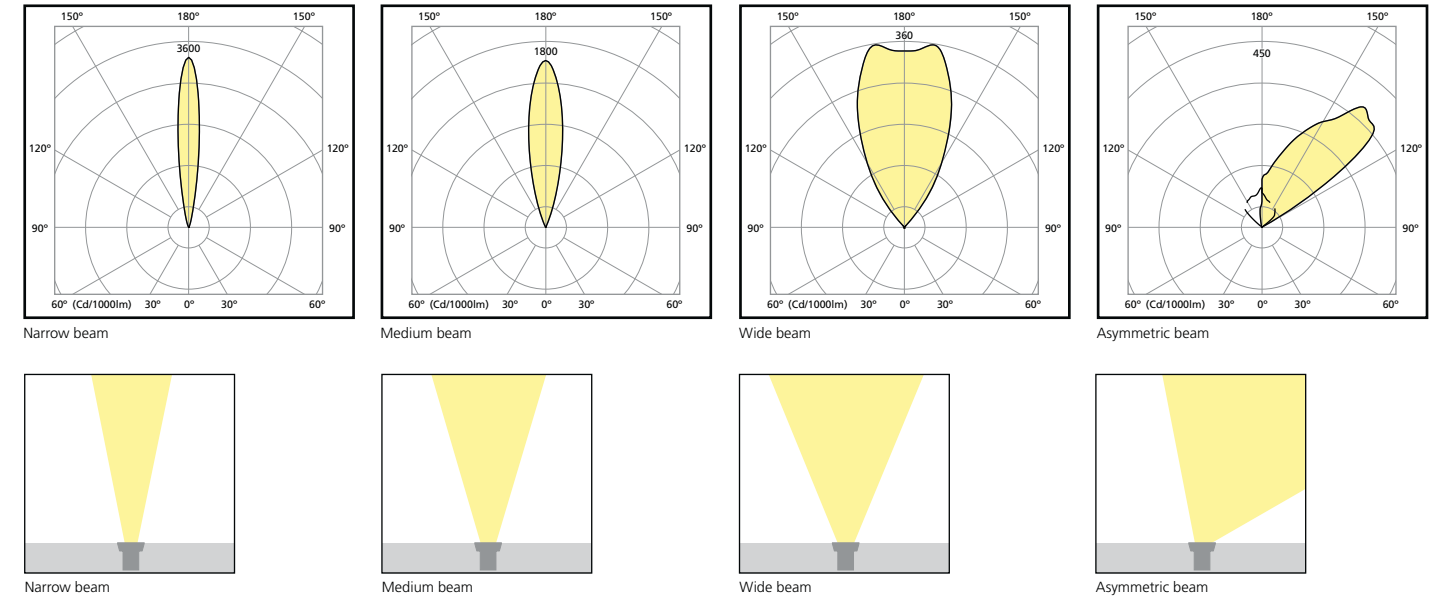
Code (luminaire only)	Description	Watt (w)	Diameter (mm)	Front ring	Beam angle	Lamp image	Item code (lamp only)	Description	Base	Colour temp (k)	Light lumens (lm)	Cri class
Inground 314 Narrow												
0049351	INGROUND 314 STE NARR 70W G12 MGR	70	314	Stainless steel	Narrow		0020301	CMI-T 70W/WDL	G12	3,000	6,900	90
							0020305	CMI-T 70W/NDL	G12	4,200	7,000	96
							0020335	HSI-T 70W/WDL	G12	3,000	6,000	80+
							0020340	HSI-T 70W/NDL	G12	4,200	6,000	80+
0049352	INGROUND 314 STE NARR150W G12 MGR	150	314	Stainless steel	Narrow		0020302	CMI-T 150W/WDL	G12	3,000	15,000	90
							0020306	CMI-T 150W/NDL	G12	4,200	15,000	96
							0020336	HSI-T 150W/WDL	G12	3,000	13,000	80+
							0020341	HSI-T 150W/NDL	G12	4,200	13,000	80+
Inground 314 Medium												
0049355	INGROUND 314 STE MEDI 70W G12 MGR	70	314	Stainless steel	Medium		0020301	CMI-T 70W/WDL	G12	3,000	6,900	90
							0020305	CMI-T 70W/NDL	G12	4,200	7,000	96
							0020335	HSI-T 70W/WDL	G12	3,000	6,000	80+
							0020340	HSI-T 70W/NDL	G12	4,200	6,000	80+
0049356	INGROUND 314 STE MEDI 150W G12 MGR	150	314	Stainless steel	Medium		0020302	CMI-T 150W/WDL	G12	3,000	15,000	90
							0020306	CMI-T 150W/NDL	G12	4,200	15,000	96
							0020336	HSI-T 150W/WDL	G12	3,000	13,000	80+
							0020341	HSI-T 150W/NDL	G12	4,200	13,000	80+
Inground 314 Wide												
0049359	INGROUND 314 STE WIDE 70W G12 MGR	70	314	Stainless steel	Wide		0020301	CMI-T 70W/WDL	G12	3,000	6,900	90
							0020305	CMI-T 70W/NDL	G12	4,200	7,000	96
							0020335	HSI-T 70W/WDL	G12	3,000	6,000	80+
							0020340	HSI-T 70W/NDL	G12	4,200	6,000	80+
0049360	INGROUND 314 STE WIDE 150W G12 MGR	150	314	Stainless steel	Wide		0020302	CMI-T 150W/WDL	G12	3,000	15,000	90
							0020306	CMI-T 150W/NDL	G12	4,200	15,000	96
							0020336	HSI-T 150W/WDL	G12	3,000	13,000	80+
							0020341	HSI-T 150W/NDL	G12	4,200	13,000	80+
Inground 314 Asymmetric												
0049363	INGROUND 314 STE ASYM 70W RX7S MGR	70	314	Stainless steel	Asymmetric		0020307	CMI-TD 70W/WDL	RX7S	3,000	6,900	90
							0020308	CMI-TD 70W/NDL	RX7S	4,200	7,000	96
							0020230	HSI-TD 70W/WDL	RX7S	3,000	5,500	80+
							0020231	HSI-TD 70W/NDL	RX7S	4,200	5,800	80+
							0020234	HSI-TD 70W/D	RX7S	5,600	5,400	80+
0049364	INGROUND 314 STE ASYM 150W RX7S MGR	150	314	Stainless steel	Asymmetric		0020309	CMI-TD 150W/WDL	RX7S	3,000	15,000	90
							0020310	CMI-TD 150W/NDL	RX7S	4,200	15,000	96
							0020232	HSI-TD 150W/WDL	RX7S	3,000	12,500	80+
							0020233	HSI-TD 150W/NDL	RX7S	4,200	12,500	80+
							0020235	HSI-TD 150W/D	RX7S	5,200	11,000	80+
Accessories												
0049372	INGROUND 314 LENS WIDE RADIAL MAX 150W											
0049374	INGROUND 314 LENS WIDE RADIAL MAX 150W											
0049370	INGROUND 314 RECESSED MOUNTING BOX											

Legend: STE = STEel; MED = MEdium; ASYM = ASYMmetric; MGR = MAgnetic GeAR



CT420

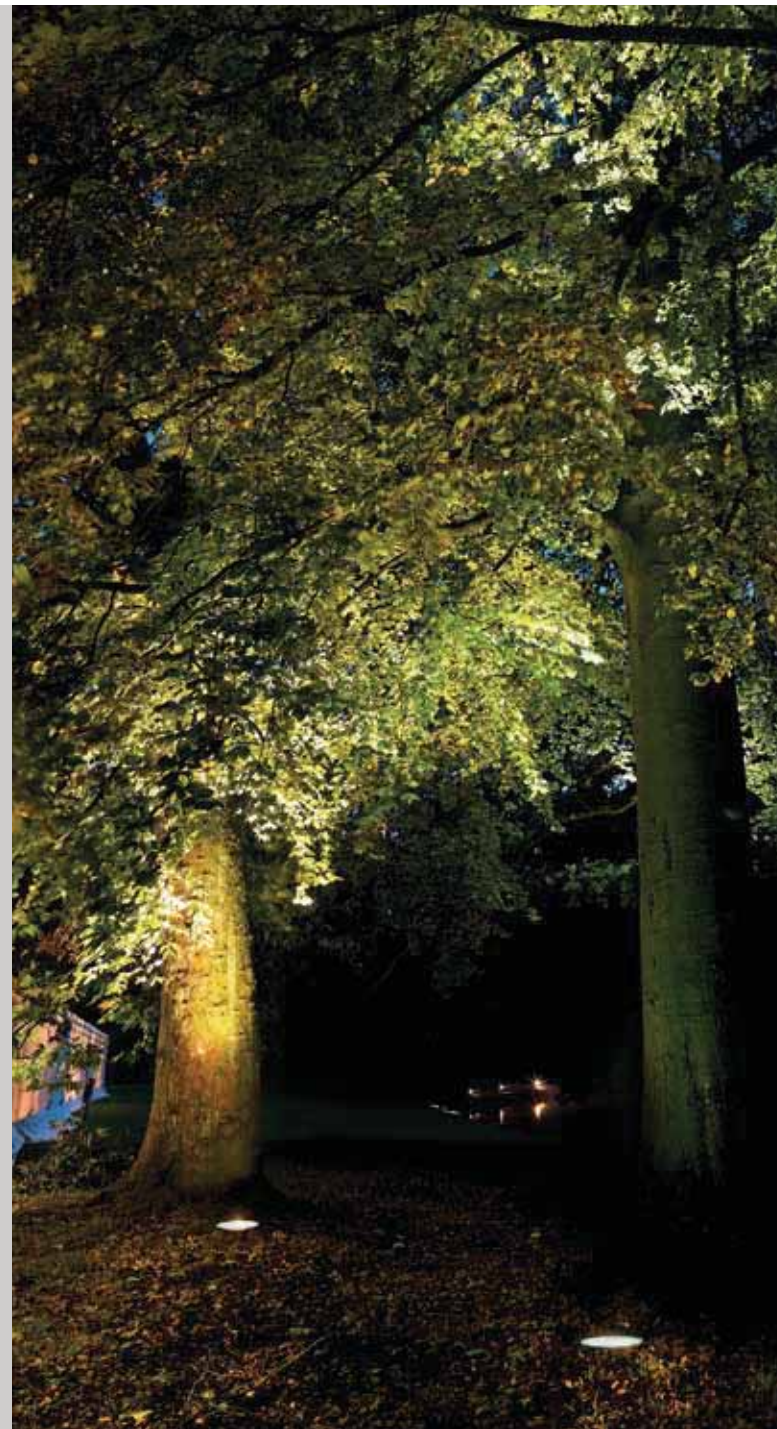
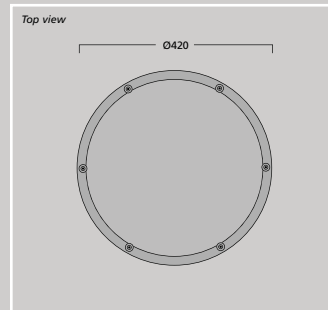
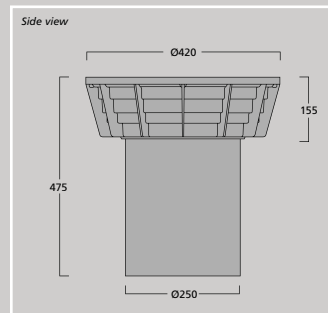
CT420 benefits from the Safe to touch feature, making it a safe yet powerful inground floodlight to illuminate park and gardens.



Features

- 150W G12 & RX7S luminaire
- Suitable for metal halide lamps
- Fully integrated magnetic gear
- Narrow, medium, wide and asymmetric light beam
- High protection class: IP67
- Surface load capacity of 3,000 Kg
- Surface temperature below 75°C
- Airpressure equalising valve

Dimensions (mm)



Accessories

- Mounting tube already supplied with luminaire
- Wide spread lens
- Oval lens / Sculpture lens



Wide spread lens



Oval lens / Sculpture lens



Safe to touch - surface temperature below 75°C



Drive Over - surface load 3,000Kg



Stainless steel ring

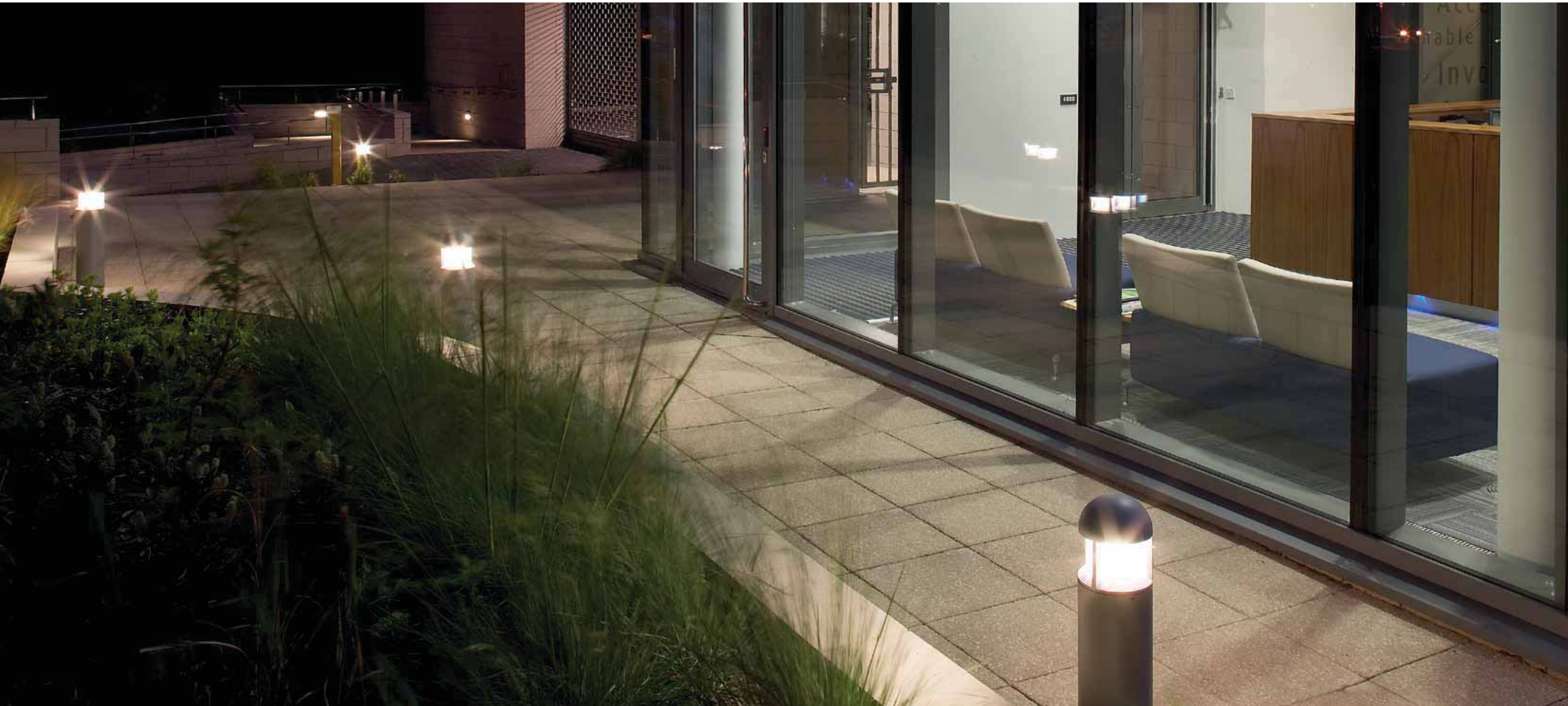


Code (luminaire only)	Description	Watt (w)	Diameter (mm)	Front ring	Beam angle	Lamp image	Item code (lamp only)	Description	Base	Colour temp (k)	Light lumens (lm)	Cri class
Inground 420 Narrow												
0049345	INGROUND CT 420 STE NARR 150 G12 MGR	150	420	Stainless steel	Narrow		0020302	CMI-T 150W/WDL	G12	3,000	15,000	90
							0020306	CMI-T 150W/NDL	G12	4,000	15,000	96
							0020336	HSI-T 150W/WDL	G12	3,000	13,000	80+
							0020341	HSI-T 150W/NDL	G12	4,000	13,000	80+
Inground 420 Medium												
0049346	INGROUND CT 420 STE MEDI 150 G12 MGR	150	420	Stainless steel	Medium		0020302	CMI-T 150W/WDL	G12	3,000	15,000	90
							0020306	CMI-T 150W/NDL	G12	4,000	15,000	96
							0020336	HSI-T 150W/WDL	G12	3,000	13,000	80+
							0020341	HSI-T 150W/NDL	G12	4,000	13,000	80+
Inground 420 Wide												
0049347	INGROUND CT 420 STE WIDE 150 G12 MGR	150	420	Stainless steel	Wide		0020302	CMI-T 150W/WDL	G12	3,000	15,000	90
							0020306	CMI-T 150W/NDL	G12	4,000	15,000	96
							0020336	HSI-T 150W/WDL	G12	3,000	13,000	80+
							0020341	HSI-T 150W/NDL	G12	4,000	13,000	80+
Inground 420 Asymmetric												
0049348	INGROUND CT 420 STE ASYM 150 RX7S MGR	150	420	Stainless steel	Asymmetric		0020309	CMI-TD 150W/WDL	RX7S	3,000	15,000	90
							0020310	CMI-TD 150W/NDL	RX7S	4,000	15,000	96
							0020232	HSI-TD 150W WDL	RX7S	3,000	12,500	80+
							0020233	HSI-TD 150W NDL	RX7S	4,000	12,500	80+
							0020235	HSI-TD 150W/D	RX7S	5,200	11,000	80+
Accessories												
0049372	INGROUND 314/420 LENS WIDE RADIAL MAX 150W											
0049374	INGROUND 314/420 LENS OVAL MAX 150W											

Legend: STE = STEel; NARR = NARRow; MEDI = MEDIum; ASYM = ASYMmetric; MGR = Magnetic Gear

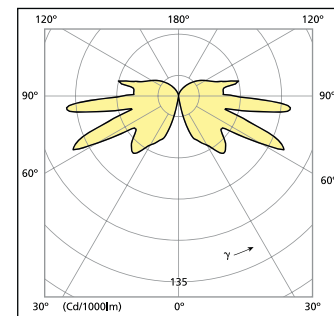
BOLLARDS

With a choice of heights, lamp types (CFLi, CFL, HID and LED retrofit), wattages and light distribution patterns, the Onground bollard range fits the brief, whatever the application. Specifiers can choose from three stylish but sturdy designs.



Onground 1

A classic, clean-lined tubular design, Onground 1 has a clear top that provides 360-degree, glare-free illumination.



Onground 1-900 Gry 60W E27

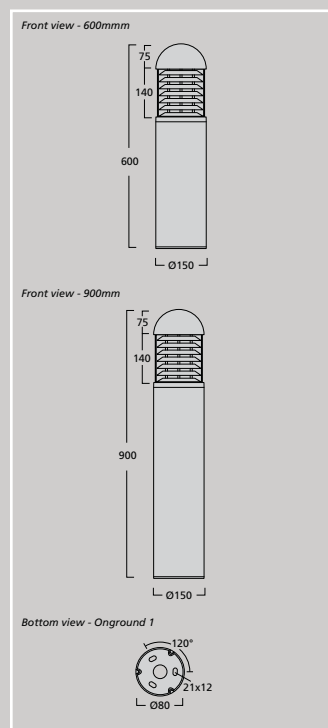


0049406

Features

- 26W, 35W and 60W bollard
- Choose from: Compact Fluorescent Lamps integrated, High Intensity Discharge lamps or Compact Fluorescent Lamps
- Suitable for LED retrofit lamps
- Comes in a tube shape
- Available in 2 heights: 600mm or 900mm
- Fully integrated gear (where applicable)
- Generates a surround 360° light beam
- Die-cast Aluminium body with a clear top and integral antiglare rings
- High protection class: IP55
- Heavy-duty housing: IK08 (top glass IK05)
- RAL 9007
- Ground mounting accessories available

Dimensions (mm)



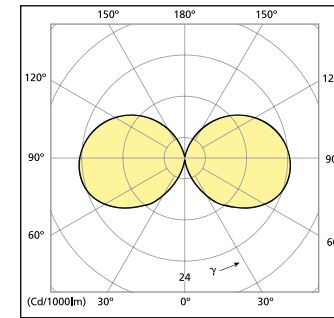
* Top glass is IK05

Code (luminaire only)	Description	Wattage (W)	Gear	Format	Height (mm)	Diameter (mm)	Top	Light distribution	Lamp type	Lamp Icon	Item code (lamp only)	Description	Base	Colour temp (k)	Light lumens (lm)	Cri class
Onground 1 – 900mm																
0049406	ONGROUND 1-900 GRY 60W E27	60	-	Tube	900	150	Clear	Surround 360°	CFLi		0031161	Mini-Lynx Fast-Start	E27	2,700	900	80+
											0031505	Mini-Lynx GLS Classico	E27	2,700	700	80+
											0026512	ToLEDo GLS 5W	E27	2,700	250	90+
											0026680	ToLEDo GLS 7.5W	E27	2,700	470	90+
0049409	ONGROUND 1-900 GRY 35W G12 MGR	35	Magnetic	Tube	900	150	Clear	Surround 360°	HID		0020300	Superia CMI-T 35W/WDL	G12	3,000	3,700	91
											0020290	Superia CMI-T 35W/NDL	G12	4,000	3,700	92
0049415	ONGROUND 1-900 GRY 26W G24d-3 LLB	26	Magnetic	Tube	900	150	Clear	Surround 360°	CFL		0025911	LYNX-D	G24d-3	3,000	1,800	90+
											0025915	LYNX-D	G24d-3	4,000	1,800	90+
Onground 1 – 600mm																
0049407	ONGROUND 1-600 GRY 60W E27	60	-	Tube	600	150	Clear	Surround 360°	CFLi		0031161	Mini-Lynx Fast-Start	E27	2,700	900	80+
											0031505	Mini-Lynx GLS Classico	E27	2,700	700	80+
											0026512	ToLEDo GLS 5W	E27	2,700	250	90+
											0026680	ToLEDo GLS 7.5W	E27	2,700	470	90+
0049411	ONGROUND 1-600 GRY 35W G12 MGR	35	Magnetic	Tube	600	150	Clear	Surround 360°	HID		0020300	Superia CMI-T 35W/WDL	G12	3,000	3,700	91
											0020290	Superia CMI-T 35W/NDL	G12	4,000	3,700	92
0049416	ONGROUND 1-600 GRY 26W G24d-3 LLB	26	Magnetic	Tube	600	150	Clear	Surround 360°	CFL		0025911	LYNX-D	G24d-3	3,000	1,800	90+
											0025915	LYNX-D	G24d-3	4,000	1,800	90+
Accessories																
0049405	GROUND ANCHOR ONGROUND 1 + 3															

Legend: GRY = Grey; MGR = Magnetic Gear; LLB = Low Loss Ballast, CFLi = Compact Fluorescent Lamps integrated; HID = High Intensity Discharge lamps; CFL = Compact Fluorescent Lamps

Onground 2

With the same sleek cylindrical body. The Onground 2's opal top divides into three, creating a striking, triple-beam lighting effect.



Onground 2 - 900 Gry 60W E27

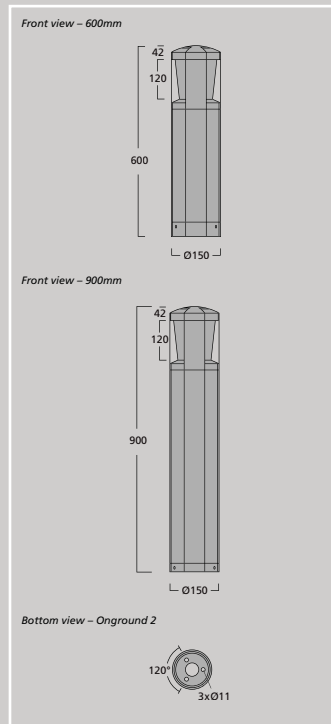


0049419

Features

- 26W, 35W and 60W bollard
- Choose from: Compact Fluorescent Lamps integrated, High Intensity Discharge lamps or Compact Fluorescent Lamps
- Suitable for LED retrofit lamps
- Comes in a tube shape
- Available in 2 heights: 600mm or 900mm
- Fully integrated gear (where applicable)
- Generates a surround light beam in 3 segments
- Die-cast Aluminium body with segmented opal top
- High protection class: IP55
- Heavy-duty housing: IK08
- RAL 9007
- Ground mounting accessories available

Dimensions (mm)



Code (luminaire only)	Description	Wattage (W)	Gear	Format	Height (mm)	Diameter (mm)	Top	Light distribution	Lamp type	Lamp Icon	Item code (lamp only)	Description	Base	Colour temp (k)	Light lumens (lm)	Cri class
Onground 2 - 900mm																
0049418	ONGROUND 2-900 GRY 60W E27	60	-	Tube	900	140	Segmented Opal	Surround in 3 segments	CFLi		0031161	Mini-Lynx Fast-Start	E27	2,700	900	80+
											0031505	Mini-Lynx GLS Classico	E27	2,700	700	80+
											0026512	ToLEDo GLS 5W	E27	2,700	250	90+
											0026680	ToLEDo GLS 7.5W	E27	2,700	470	90+
0049421	ONGROUND 2-900 GRY 35W G12 MGR	35	Magnetic	Tube	900	140	Segmented Opal	Surround in 3 segments	HID		0020300	Superia CMI-T 35W/WDL	G12	3,000	3,700	91
											0020290	Superia CMI-T 35W/NDL	G12	4,000	3,700	92
0049427	ONGROUND 2-900 GRY 26W G24d-3 LLB	26	Magnetic	Tube	900	140	Segmented Opal	Surround in 3 segments	CFL		0025911	LYNX-D	G24d-3	3,000	1,800	90+
											0025915	LYNX-D	G24d-3	4,000	1,800	90+
Onground 2 - 600mm																
0049419	ONGROUND 2-600 GRY 60W E27	60	-	Tube	600	140	Segmented Opal	Surround in 3 segments	CFLi		0031161	Mini-Lynx Fast-Start	E27	2,700	900	80+
											0031505	Mini-Lynx GLS Classico	E27	2,700	700	80+
											0026512	ToLEDo GLS 5W	E27	2,700	250	90+
											0026680	ToLEDo GLS 7.5W	E27	2,700	470	90+
0049423	ONGROUND 2-600 GRY 35W G12 MGR	35	Magnetic	Tube	600	140	Segmented Opal	Surround in 3 segments	HID		0020300	Superia CMI-T 35W/WDL	G12	3,000	3,700	91
											0020290	Superia CMI-T 35W/NDL	G12	4,000	3,700	92
0049428	ONGROUND 2-600 GRY 26W G24d-3 LLB	26	Magnetic	Tube	600	140	Segmented Opal	Surround in 3 segments	CFL		0025911	LYNX-D	G24d-3	3,000	1,800	90+
											0025915	LYNX-D	G24d-3	4,000	1,800	90+

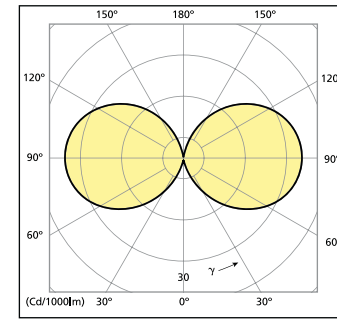
Accessories

0049404 GROUND ANCHOR ONGROUND 2

Legend: GRY = Grey; MGR = Magnetic Gear; LLB = Low Loss Ballast; CFLi = Compact Fluorescent Lamps integrated; HID = High Intensity Discharge lamps; CFL = Compact Fluorescent Lamps

Onground 3

Featuring a stylish square profile with softened corners, the Onground 3 has a sectioned opal diffuser for a symmetrical four-beam light pattern.

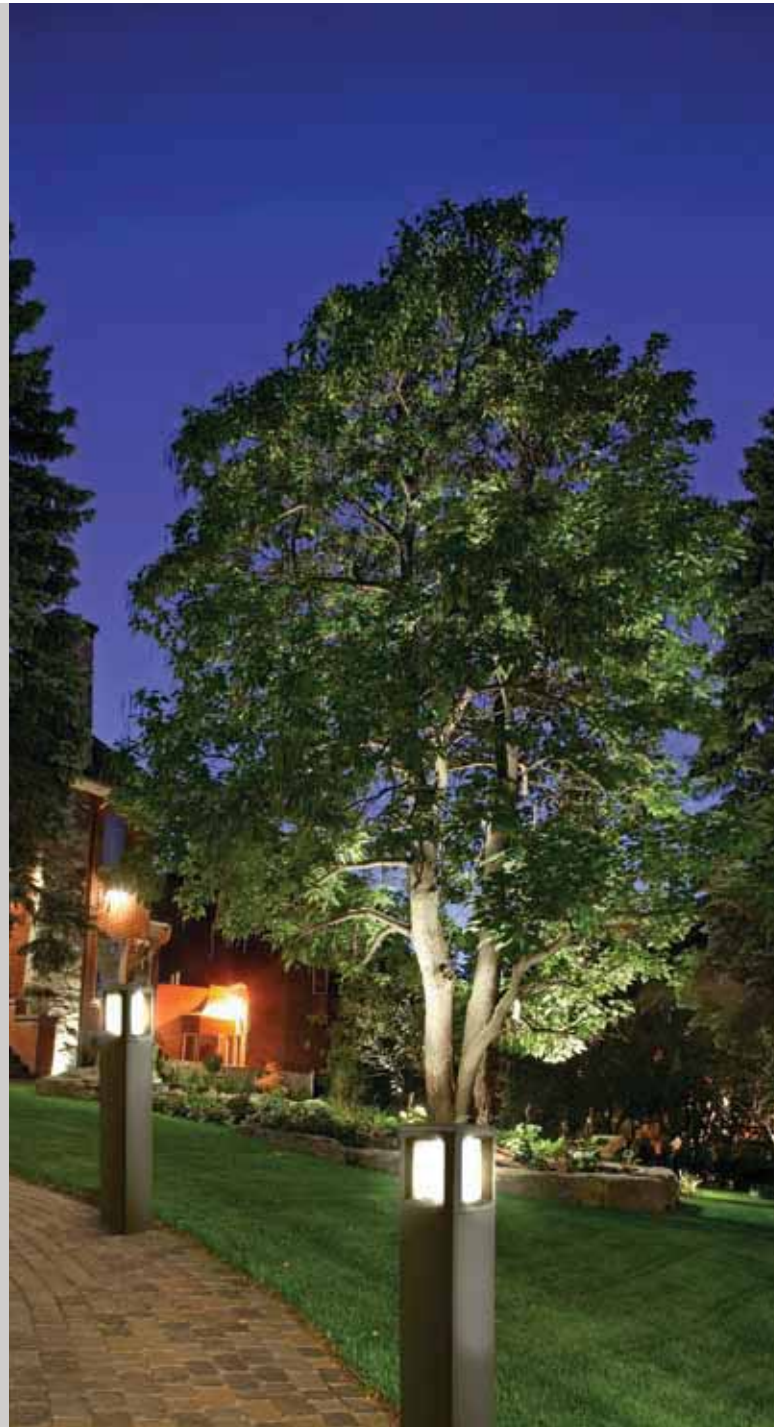
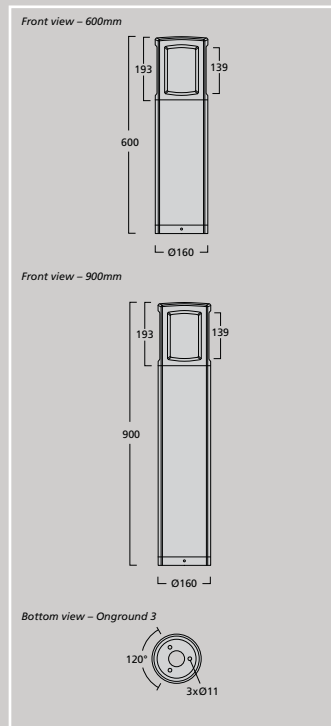


0049430

Features

- 26W, 35W and 60W bollard
- Choose from: Compact Fluorescent Lamps integrated, High Intensity Discharge lamps or Compact Fluorescent Lamps
- Suitable for LED retrofit lamps
- Comes in a soft squared tube shape
- Available in 2 heights: 600mm or 900mm
- Fully integrated gear (where applicable)
- Generates a surround light beam in 4 segments
- Die-cast Aluminium body with segmented opal top
- High protection class: IP55
- Heavy-duty housing: IK08
- RAL 9007
- Ground mounting accessories available

Dimensions (mm)



Code (luminaire only)	Description	Wattage (W)	Gear	Format	Height (mm)	Diameter (mm)	Top	Light distribution	Lamp type	Lamp Icon	Item code (lamp only)	Description	Base	Colour temp (k)	Light lumens (lm)	Cri class
Onground 3 – 900mm																
0049430	ONGROUND 3-900 GRY 60W E27	60	-	Soft squared tube	900	160	Segmented Opal	Surround in 4 segments	CFLi		0031161	Mini-Lynx Fast-Start	E27	2,700	900	80+
											0031505	Mini-Lynx GLS Classico	E27	2,700	700	80+
											0026512	ToLEDo GLS 5W	E27	2,700	250	90+
											0026680	ToLEDo GLS 7.5W	E27	2,700	470	90+
											0026737	ToLEDo GLS 10.55W	E27	2,700	806	90+
0049433	ONGROUND 3-900 GRY 35W G12 MGR	35	Magnetic	Soft squared tube	900	160	Segmented Opal	Surround in 4 segments	HID		0020300	Superia CMI-T 35W/WDL	G12	3,000	3,700	91
											0020290	Superia CMI-T 35W/NDL	G12	4,000	3,700	92
0049439	ONGROUND 3-900 GRY 26W G24d-3 LLB	26	Magnetic	Soft squared tube	900	160	Segmented Opal	Surround in 4 segments	CFL		0025911	LYNX-D	G24d-3	3,000	1,800	90+
											0025915	LYNX-D	G24d-3	4,000	1,800	90+
Onground 3 – 600mm																
0049431	ONGROUND 3-600 GRY 60W E27	60	-	Soft squared tube	600	160	Segmented Opal	Surround in 4 segments	CFLi		0031161	Mini-Lynx Fast-Start	E27	2,700	900	80+
											0031505	Mini-Lynx GLS Classico	E27	2,700	700	80+
											0026512	ToLEDo GLS 5W	E27	2,700	250	90+
											0026680	ToLEDo GLS 7.5W	E27	2,700	470	90+
											0026737	ToLEDo GLS 10.55W	E27	2,700	806	90+
0049435	ONGROUND 3-600 GRY 35W G12 MGR	35	Magnetic	Soft squared tube	600	160	Segmented Opal	Surround in 4 segments	HID		0020300	Superia CMI-T 35W/WDL	G12	3,000	3,700	91
											0020290	Superia CMI-T 35W/NDL	G12	4,000	3,700	92
0049440	ONGROUND 3-600 GRY 26W G24d-3 LLB	26	Magnetic	Soft squared tube	600	160	Segmented Opal	Surround in 4 segments	CFL		0025911	LYNX-D	G24d-3	3,000	1,800	90+
											0025915	LYNX-D	G24d-3	4,000	1,800	90+

Accessories

0049405 GROUND ANCHOR ONGROUND 1 + 3

Legend: GRY = Grey; MGR = Magnetic Gear; LLB = Low Loss Ballast, CFLi = Compact Fluorescent Lamps integrated; HID = High Intensity Discharge lamps; CFL = Compact Fluorescent Lamps

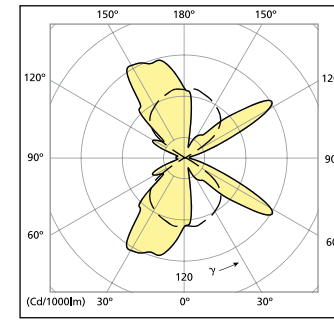
WALL SURFACE

The Onwall range lets you create a whole variety of different and dramatic light patterns that will transform exterior surfaces. A wide range of body shapes, from cubic to tubular, and five lamp options makes this a highly flexible series of outdoor fittings.

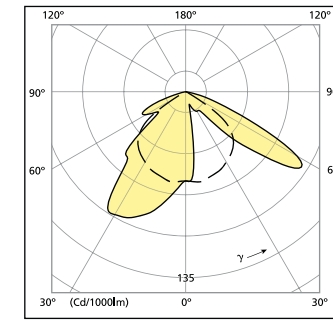


Onwall 1

Simple and effective, the Onwall 1 is a low-profile rectangular luminaire that allows three different lighting options from a single source.



Onwall 1 Gry DS 150W RX7S MGR



Onwall 1 Gry SS 150W RX7-5



0049060

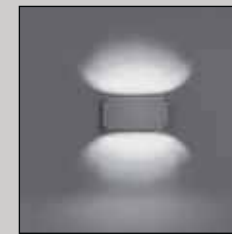
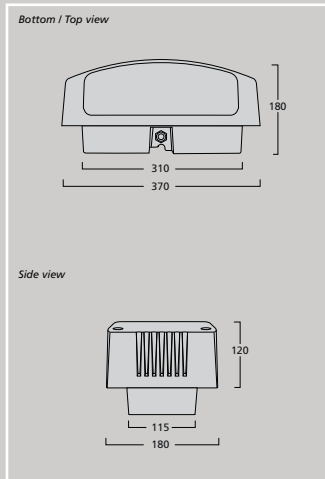


0049061

Features

- 70W and 150W wall surface luminaire
- Suitable for High Intensity Discharge lamps
- Comes in a flat rectangular shape
- Fully integrated ballast
- Generates an up & down or up or down light beam, using only 1 lamp
- Die-cast Aluminium body with a clear glass
- High protection class: IP55
- Heavy-duty housing: IK08
- RAL 9007

Dimensions (mm)



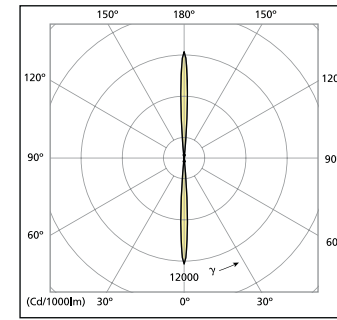
Code (luminaire only)	Description	Wattage (W)	Gear	Shape	Front	Light distribution	Lamp type	Lamp Icon	Item code (lamp only)	Description	Base	Colour temp (k)	Light lumens (lm)	Cri class
Onwall 1 – 150W														
0049060	ONWALL 1 GRY DS 1x150W RX7S MGR	1 x 150	Magnetic / Integral	Flat rectangular	Clear Glass	Up & down	HID		0020309	Superia CMI-TD 150W/WDL	Rx7S	3,000	15,000	90
									0020310	Superia CMI-TD 150W/NDL	Rx7S	4,200	15,000	96
0049061	ONWALL 1 GRY SS 1x150W RX7S MGR	1 x 150	Magnetic / Integral	Flat rectangular	Clear Glass	Up or down	HID		0020309	Superia CMI-TD 150W/WDL	Rx7S	3,000	15,000	90
									0020310	Superia CMI-TD 150W/NDL	Rx7S	4,200	15,000	96
Onwall 1 – 70W														
0049062	ONWALL 1 GRY DS 1x70W RX7S MGR	1 x 70	Magnetic / Integral	Flat rectangular	Clear Glass	Up & down	HID		0020307	Superia CMI-TD 70W/WDL	Rx7S	3,000	6,900	90
									0020308	Superia CMI-TD 70W/NDL	Rx7S	4,200	7,000	96
0049063	ONWALL 1 GRY SS 1x70W RX7S MGR	1 x 70	Magnetic / Integral	Flat rectangular	Clear Glass	Up or down	HID		0020307	Superia CMI-TD 70W/WDL	Rx7S	3,000	6,900	90
									0020308	Superia CMI-TD 70W/NDL	Rx7S	4,200	7,000	96

Legend: GRY = Grey; DS = Double Sided Light Output; SS = Single Side Light Output; MGR = Magnetic Gear



Onwall 2

Unlike standard two-lamp versions, the Onwall 2's highly compact tubular shape allows both up and downlight from just one lamp, resulting in significant energy savings.



Onwall 2 GRY DS 70W G12 MGR

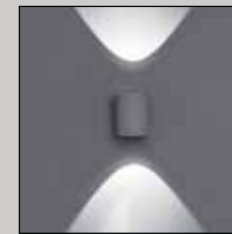
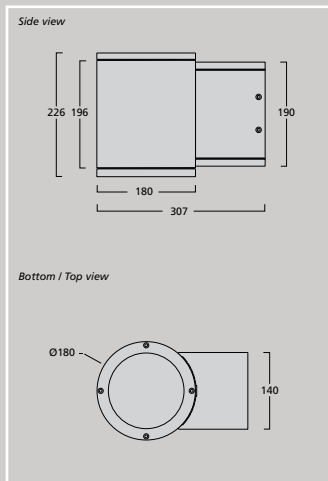


0049067

Features

- 35W, 70W and 150W wall surface luminaire
- Suitable for High Intensity Discharge lamps
- Benefits from a compact design with a shorter tube compared to standard 2-lamp versions
- Comes in a tubular / round shape
- Fully integrated ballast
- Generates an up & down light beam, using only 1 lamp
- Die-cast Aluminium body with a clear glass
- High protection class: IP55
- Heavy-duty housing: IK08
- RAL 9007

Dimensions (mm)



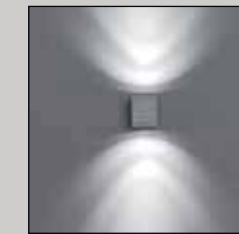
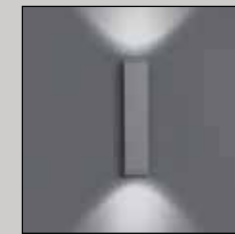
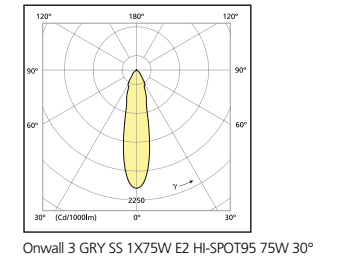
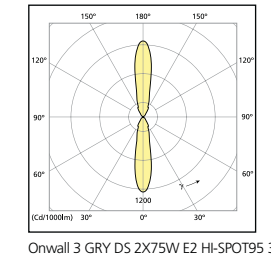
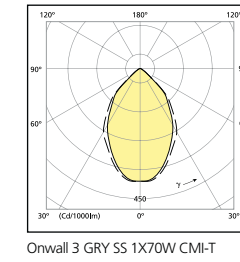
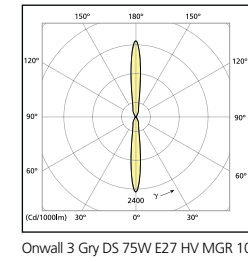
Code (luminaire only)	Description	Wattage (W)	Gear	Shape	Front	Light distribution	Lamp type	Lamp Icon	Item code (lamp only)	Description	Base	Colour temp (k)	Light lumens (lm)	Cri class
Onwall 2 – 35W														
0049066	ONWALL 2 GRY DS 1x35W G12 MGR	1 x 35	Magnetic / Integral	Tubular / Round	Clear Glass	Up & down	HID		0020300	Superia CMI-T 35W/WDL	G12	3,000	3,700	91
									0020290	Superia CMI-T 35W/NDL	G12	4,000	3,700	92
Onwall 2 – 70W														
0049067	ONWALL 2 GRY DS 1x70W G12 MGR	1 x 70	Magnetic / Integral	Tubular / Round	Clear Glass	Up & down	HID		0020301	Superia CMI-T 70W/WDL	G12	3,000	6,900	90
									0020305	Superia CMI-T 70W/NDL	G12	4,200	7,000	96
Onwall 2 – 150W														
0049068	ONWALL 2 GRY DS 1x150W G12 MGR	1 x 150	Magnetic / Integral	Tubular / Round	Clear Glass	Up & down	HID		0020302	Superia CMI-T 70W/WDL	G12	3,000	6,900	90
									0020306	Superia CMI-T 70W/NDL	G12	4,200	7,000	96

Legend: GRY = Grey; DS = Double Sided Light Output; MGR = Magnetic Gear



Onwall 3

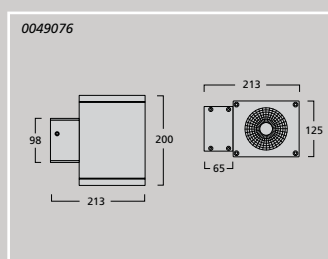
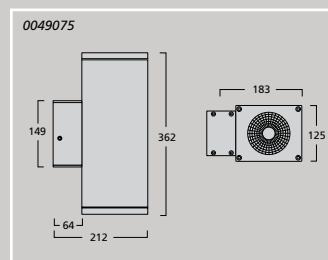
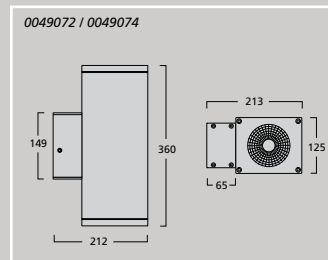
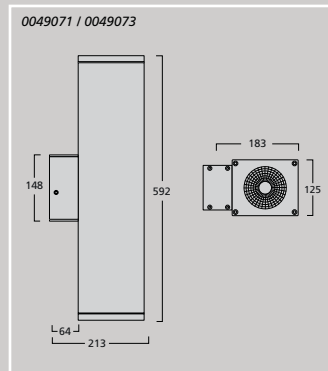
With its contemporary cubic lines, the Onwall 3 up/downlight comes in three sizes and different beam angles so you can vary the effect while keeping a consistent style across a lighting scheme.



Features

- 35W, 70W & 75W wall surface luminaire
- Choose from: High Intensity Discharge lamps or E27 based lamps (HV halogen, CFL retrofit or even LED retrofit lamps)
- Available in 10° or 30° light beam angles (selected models)
- Comes in a tubular / square shape
- Fully integrated ballast (where applicable)
- Generates an up & down or up or down light beam
- Die-cast Aluminium body with a clear glass
- High protection class: IP55
- Heavy-duty housing: IK08
- RAL 9007

Dimensions (mm)

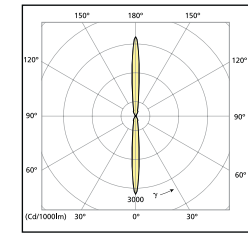


Code (luminaire only)	Description	Wattage (W)	Gear	Shape	Front	Light distribution	Lamp type	Lamp Icon	Item code (lamp only)	Description	Base	Colour temp (k)	Light lumens (lm)	Cri class
Onwall 3 – 35W														
0049071	ONWALL 3 GRY DS [2x35W G12 MGR	2 x 35	Conventional	Tubular / Square	Clear Glass	Up & down	HID		0020300	Superia CMI-T 35W/WDL	G12	3,000	3,700	91
									0020290	Superia CMI-T 35W/NDL	G12	4,000	3,700	92
0049072	ONWALL 3 GRY SS [1x35W G12 MGR	1 x 35	Conventional	Tubular / Square	Clear Glass	Up or down	HID		0020300	Superia CMI-T 35W/WDL	G12	3,000	3,700	91
									0020290	Superia CMI-T 35W/NDL	G12	4,000	3,700	92
Onwall 3 – 70W														
0049073	ONWALL 3 GRY DS [2x70W G12 MGR	2 x 70	Conventional	Tubular / Square	Clear Glass	Up & down	HID		0020301	Superia CMI-T 70W/WDL	G12	3,000	6,900	90
									0020305	Superia CMI-T 70W/NDL	G12	4,200	7,000	96
0049074	ONWALL 3 GRY SS [1x70W G12 MGR	1 x 70	Conventional	Tubular / Square	Clear Glass	Up or down	HID		0020301	Superia CMI-T 70W/WDL	G12	3,000	6,900	90
									0020305	Superia CMI-T 70W/NDL	G12	4,200	7,000	96
Onwall 3 – 75W														
0049075	ONWALL 3 GRY DS [2x75W E27 HV MGR	2 x 75	-	Tubular / Square	Clear Glass	Up & down	-		0026707	Hi-Spot RefLED PAR30	E27	3,000	610	-
									0021230*	HI-SPOT 95	E27	2,900	6900cd	100
									0026707	Hi-Spot RefLED PAR30	E27	3,000	610	80
0049076	ONWALL 3 GRY DS [1x75W E27 HV MGR	1 x 75	-	Tubular / Square	Clear Glass	Up or down	-		0026707	Hi-Spot RefLED PAR30	E27	3,000	610	80
									0021230*	HI-SPOT 95	E27	2,900	6900cd	100
									0021231*	HI-SPOT 95	E27	2,900	2200cd	100

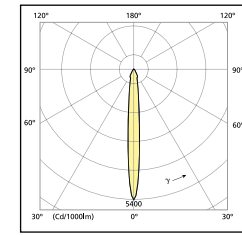
Legend: GRY = Grey; DS = Double Sided Light Output; SS = Single Side Light Output; MGR = Magnetic Gear; HV = High Voltage for standard bulbs (CFLI, Incandescent, LED Retrofit)

Onwall 4

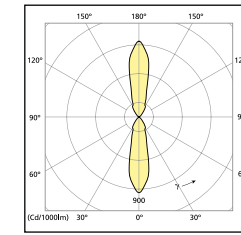
With both long or short options and a range of light sources, the tubular Onwall 4 will create grazing effects for spaces of different heights.



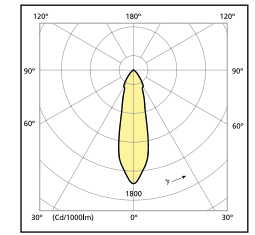
Onwall 4 Gry DS 100W E27 HV 10°



Onwall 4 Gry DS 100W E27 HV 30°



Onwall 4 Gry DS 2X100W E Hi-Spot95 30°



Onwall 4 Gry SS 100W E27 HV 30°



0049079 – 10° beam angle



0049084 – 30° beam angle



0049085 – 30° beam angle

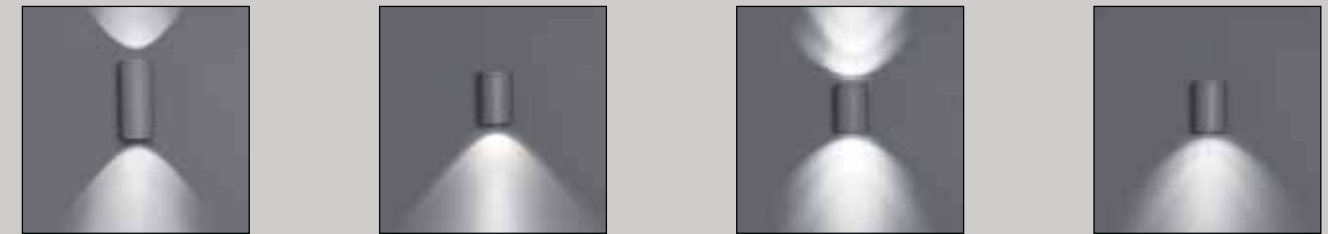
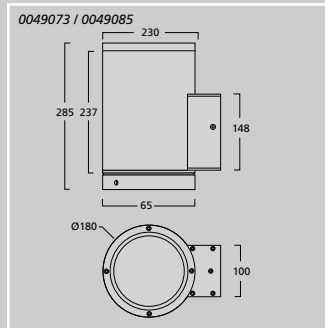
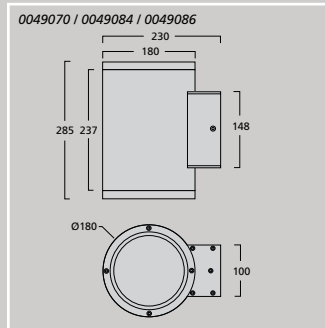
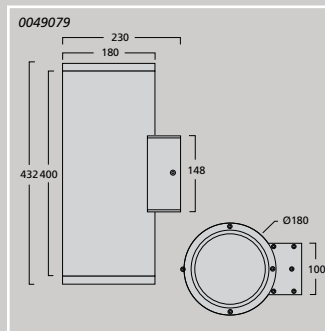


0049084 – 30° beam angle

Features

- 70W, 75W and 100W wall surface luminaire
- Choose from: High Intensity Discharge lamps or E27 based lamps (HV halogen, CFL retrofit or even LED retrofit lamps)
- Available in 10° or 30° light beam angles (selected models)
- Comes in a tubular / round shape
- Fully integrated ballast (where applicable)
- Generates an up & down or up or down light beam
- Die-cast Aluminium body with a clear glass
- High protection class: IP55
- Heavy-duty housing: IK08
- RAL 9007

Dimensions (mm)

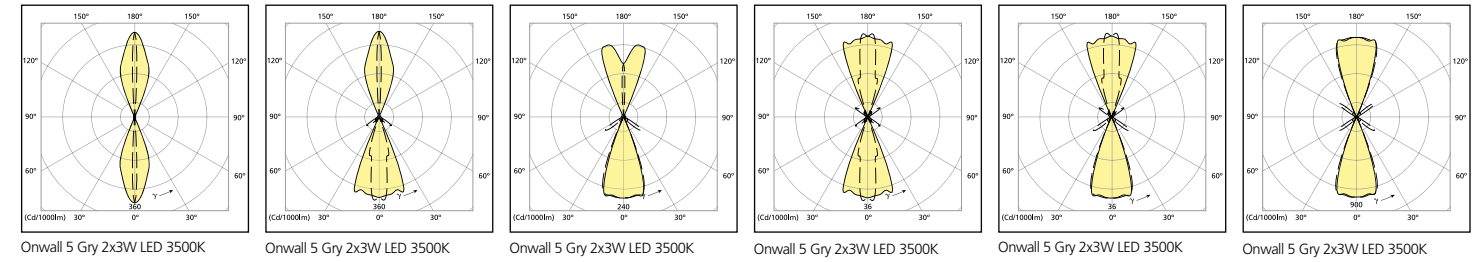


Code (luminaire only)	Description	Wattage (W)	Gear	Shape	Front	Light distribution	Lamp type	Lamp Icon	Item code (lamp only)	Description	Base	Colour temp (k)	Light lumens (lm)	Cri class	
Onwall 4 – 70W															
0049079	ONWALL 4 GRY DS 2x70W G12 MGR	2 x 70	Conventional	Tubular / Round	Clear Glass	Up & down	HID		0020301	Superia CMI-T 70W/WDL	G12	3,000	6,900	90	
									0020305	Superia CMI-T 70W/NDL	G12	4,200	7,000	96	
0049080	ONWALL 4 GRY SS 1x70W G12 MGR	1 x 70	Conventional	Tubular / Round	Clear Glass	Up or down	HID		0020301	Superia CMI-T 70W/WDL	G12	3,000	6,900	90	
									0020305	Superia CMI-T 70W/NDL	G12	4,200	7,000	96	
Onwall 4 – 75W															
0049083	ONWALL 4 GRY DS 2x75W E27 HV	2 x 75	-	Tubular / Round	Clear Glass	Up & down	LED		0026500	REFLED PAR38 E27	E27	3,000	750	85	
									HV Hallogen	0021230*	HI-SPOT 95	E27	2,900	6900cd	100
										0021231*	HI-SPOT 95	E27	2,900	2200cd	100
0049084	ONWALL 4 GRY SS 1x75W E27 HV	1 x 75	-	Tubular / Round	Clear Glass	Up or down	LED		0026707	Hi-Spot RefLED PAR30	E27	3,000	610	80	
									HV Hallogen	0021230*	HI-SPOT 95	E27	2,900	6900cd	100
										0021231*	HI-SPOT 95	E27	2,900	2200cd	100
Onwall 4 – 100W															
0049085	ONWALL 4 GRY DS 2x100W E27 HV	2 x 100	-	Tubular / Round	Clear Glass	Up & down	LED		0026707	Hi-Spot RefLED PAR30	E27	3,000	610	80	
									HV Hallogen	0021230*	HI-SPOT 95	E27	2,900	6900cd	100
										0021231*	HI-SPOT 95	E27	2,900	2200cd	100
0049086	ONWALL 4 GRY SS 1x100W E27 HV	1 x 100	-	Tubular / Round	Clear Glass	Up or down	LED		0026707	Hi-Spot RefLED PAR30	E27	3,000	610	80	
									HV Hallogen	0021230*	HI-SPOT 95	E27	2,900	6900cd	100
										0021231*	HI-SPOT 95	E27	2,900	2200cd	100

Legend: GRY = Grey; DS = Double Sided Light Output; SS = Single Side Light Output; MGR = Magnetic Gear; HV = High Voltage for standard bulbs (CFLI, Incandescent, LED Retrofit)

Onwall 5

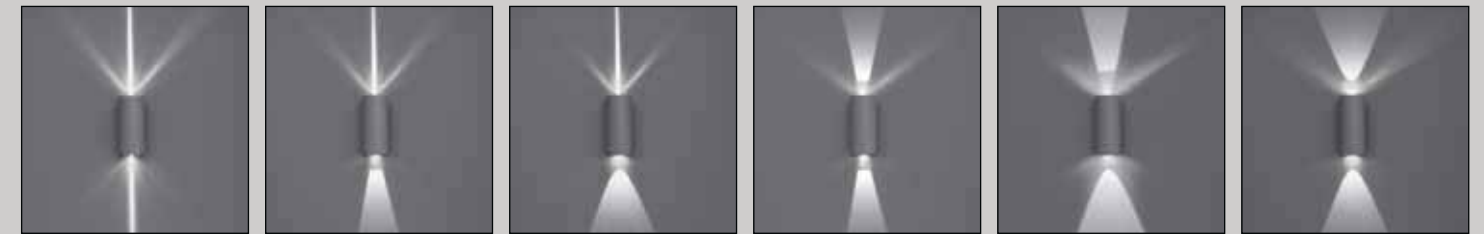
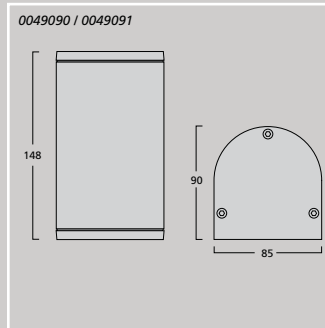
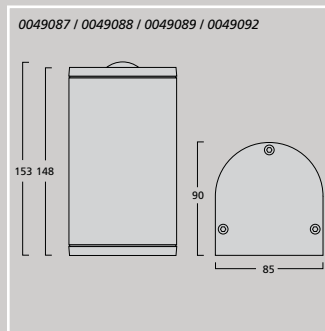
The pure, minimal semi-tubular Onwall 5 offers no less than six different up/down distribution patterns from just two 3W LEDs.



Features

- 3W LED white wall surface luminaire
- Highly efficient, energy saving LED luminaire with up to 50,000 hours at L70
- Benefitsw from various light output versions
- Comes in a semi tube shape
- Fully integrated driver
- Choose from an array of options to create nice, dramatic light effects:
 - Up narrow & down narrow
 - Up narrow & down wide
 - Up narrow & down round
 - Up wide & down wide
 - Up wide & down round
 - Up round & down round
- Die-cast Aluminium body with optical lenses
- High protection class: IP55
- Heavy-duty housing: IK08
- RAL 9007

Dimensions (mm)



Code (luminaire only)	Description	Wattage (W)	Gear	Shape	Front	Light distribution	Lamp type
Onwall 5 – 3W LED							
0049087	ONWALL 5 GRY UNARR/DNARR 2x3W LED 3500K	2 x 3	Driver / Integral	Semi tube	Optical Lenses	Up narrow & down narrow	LED white
0049088	ONWALL 5 GRY UNARR/DWIDE 2x3W LED 3500K	2 x 3	Driver / Integral	Semi tube	Optical Lenses	Up narrow & down wide	LED white
0049089	ONWALL 5 GRY UNARR/DRND 2x3W LED 3500K	2 x 3	Driver / Integral	Semi tube	Optical Lenses	Up narrow & down round	LED white
0049090	ONWALL 5 GRY UWIDE/DWIDE 2x3W LED 3500K	2 x 3	Driver / Integral	Semi tube	Optical Lenses	Up wide & down wide	LED white
0049091	ONWALL 5 GRY UWIDE/DRND 2x3W LED 3500K	2 x 3	Driver / Integral	Semi tube	Optical Lenses	Up wide & down round	LED white
0049092	ONWALL 5 GRY URND/DRND 2x3W LED 3500K	2 x 3	Driver / Integral	Semi tube	Optical Lenses	Up round & down round	LED white

Legend: GRY = Grey; DS = Double Sided Light Output; SS = Single Side Light Output



WALL RECESSED

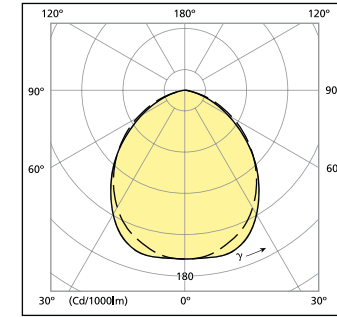
Low-level recessed lighting is the perfect way to provide a practical level of light for paths and steps while creating magical effects.

The Inwall range of six luminaires comes in CFL, HID and white LED versions, and lets you vary the pace with different shapes and light distribution.

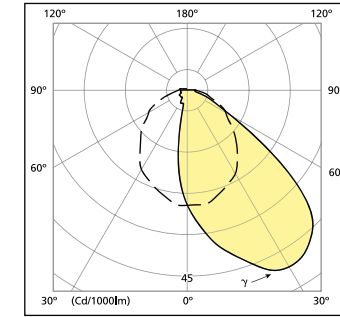


Inwall 1

Neat and discreet, the Inwall 1 takes a low energy CFL and comes with either satin glass or lamellae for a diffused or directed beam.



Inwall 1 Gry DIF 9W G23 LLB



Inwall 1 Gry DIR 9W G23 LLB



0049270

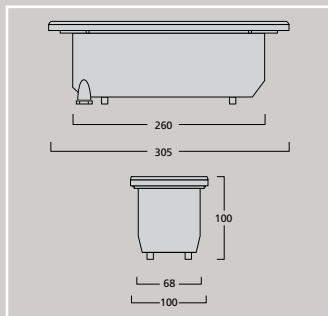


0049271

Features

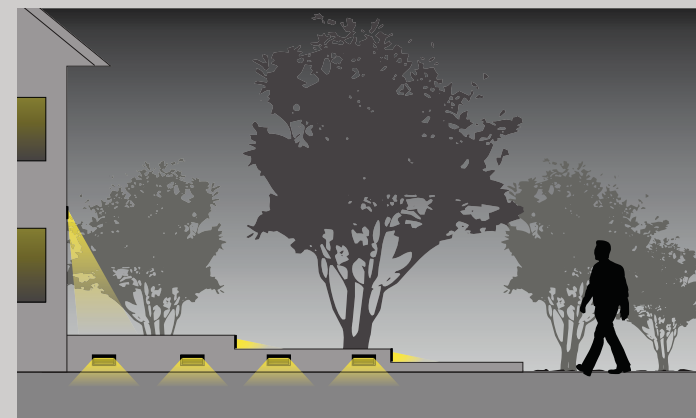
- 9W wall recessed luminaire
- Suitable for Compact Fluorescent Lamps
- Comes in a rectangular shape
- Fully integrated ballast
- High quality front with a choice of satin glass or lamellae
- Generates a diffused or directed light beam
- High protection class: IP55
- Heavy-duty housing: IK08
- Delivered with housing

Dimensions (mm)



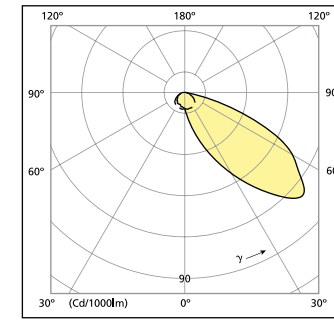
Code (luminaire only)	Description	Wattage (W)	Gear	Shape	Front	Light distribution	Lamp type	Lamp Icon	Item code (lamp only)	Description	Base	Colour temp (k)	Light lumens (lm)	Cri class
Inwall 1 – 9W														
0049270	Inwall 1 GRY DIF 9W G23 LLB	9	Magnetic	Small Rectangular	Satin glass	Diffused	CFL		0025886	LYNX-S	G23	3,000	600	90+
									0025890	LYNX-S	G23	4,000	600	90+
0049271	Inwall 1 GRY DIR 9W G23 LLB	9	Magnetic	Small Rectangular	Lamellae	Directed	CFL		0025886	LYNX-S	G23	3,000	600	90+
									0025890	LYNX-S	G23	4,000	600	90+

Legend: GRY = Grey; DIF = Diffused; DIR = Directed; LLB = Low Loss Ballast; CFL = Compact Fluorescent Lamp



Inwall 2

Also designed for CFLs, the Inwall 2 offers the next step up in size and power, providing direct illumination.



Inwall 2 Gry DIR 18W G24 TC-DEL

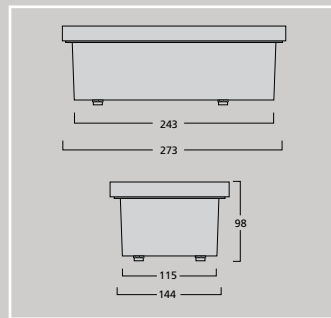


0049273

Features

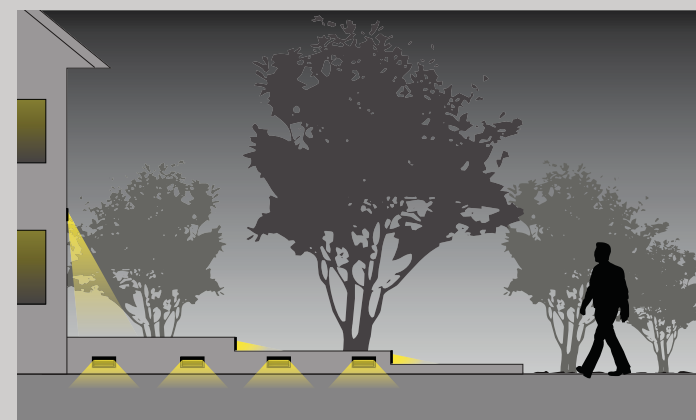
- 13W and 18W wall recessed luminaire
- Suitable for Compact Fluorescent Lamps
- Comes in a rectangular shape
- Fully integrated ballast
- Generates a directed light beam
- High quality front with a plate with asymmetric outlet
- High protection class: IP55
- Heavy-duty housing: IK08
- Delivered with housing

Dimensions (mm)



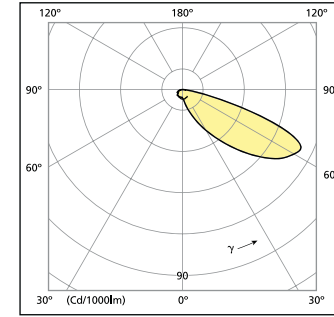
Code (luminaire only)	Description	Wattage (W)	Gear	Shape	Front	Light distribution	Lamp type	Lamp Icon	Item code (lamp only)	Description	Base	Colour temp (k)	Light lumens (lm)	Cri class
Inwall 2 – 13W														
0049272	INWALL 2 GRY DIR 13W G24d-1 LLB	13	Magnetic	Rectangular	Plate with asymmetric outlet	Directed	CFL		0025909	LYNX-D	G24d-1	3,000	900	90+
									0025913	LYNX-D	G24d-1	4,000	900	90+
Inwall 2 – 18W														
0049273	INWALL 2 GRY DIR 18W G24d-2 LLB	18	Magnetic	Rectangular	Plate with asymmetric outlet	Directed	CFL		0025910	LYNX-D	G24d-1	3,000	900	90+
									0025914	LYNX-D	G24d-1	4,000	900	90+

Legend: GRY = Grey; DIR = Directed; LLB = Low Loss Ballast; CFL = Compact Fluorescent Lamp



Inwall 3

Square in design, the Inwall 3 is ideal for energy efficient, direct light applications when even more output is required.



Inwall 3 Gry DIR 26W G24d-3 LLB

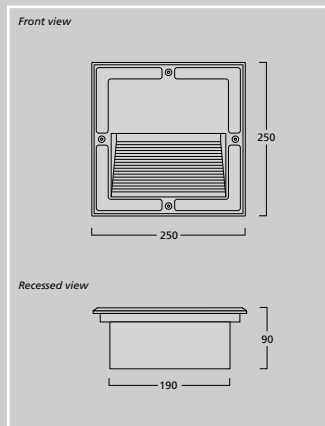


0049076

Features

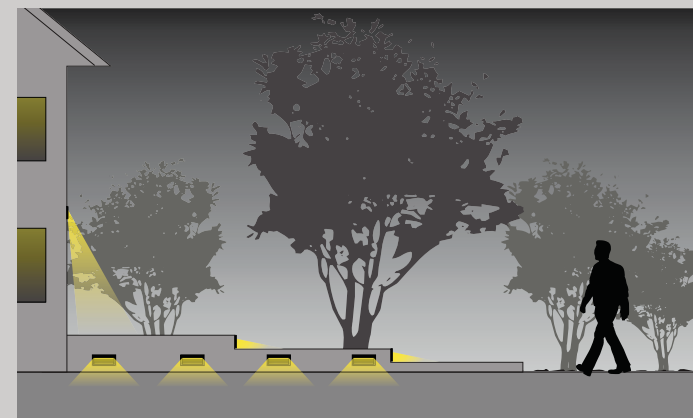
- 13W, 18W and 26W wall recessed luminaire
- Suitable for Compact Fluorescent Lamps
- Comes in a square shape
- Fully integrated ballast
- Generates a directed light beam
- High quality front with a plate with asymmetric outlet
- High protection class: IP55
- Heavy-duty housing: IK08
- Delivered with housing

Dimensions (mm)



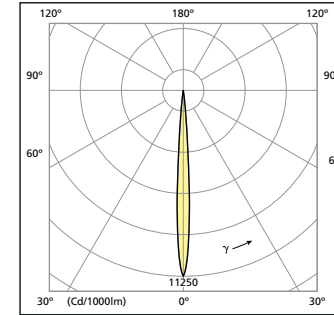
Code (luminaire only)	Description	Wattage (W)	Gear	Shape	Front	Light distribution	Lamp type	Lamp Icon	Item code (lamp only)	Description	Base	Colour temp (k)	Light lumens (lm)	Cri class
Inwall 3 – 13W														
0049274	INWALL 3 GRAY DIR 13W G24d-1 LLB	13	Magnetic	Square	Plate with asymmetric outlet	Directed	CFL		0025909	LYNX-D	G24d-1	3,000	900	90+
									0025913	LYNX-D	G24d-1	4,000	900	90+
Inwall 3 – 18W														
0049275	INWALL 3 GRAY DIR 18W G24d-2 LLB	18	Magnetic	Square	Plate with asymmetric outlet	Directed	CFL		0025910	LYNX-D	G24d-1	3,000	900	90+
									0025914	LYNX-D	G24d-1	4,000	900	90+
Inwall 3 – 26W														
0049276	INWALL 3 GRAY DIR 26W G24d-3 LLB	26	Magnetic	Square	Plate with asymmetric outlet	Directed	CFL		0025911	LYNX-D	G24d-3	3,000	1,800	90+
									0025915	LYNX-D	G24d-3	4,000	1,800	90+

Legend: GRAY = Grey; DIR = Directed; LLB = Low Loss Ballast; CFL = Compact Fluorescent Lamp



Inwall 4

Designed for HID sources up to 70W, the large rectangular Inwall 4 delivers a powerful punch over a wider area.



Inwall 4 GRY DIR 35W G12 MGR

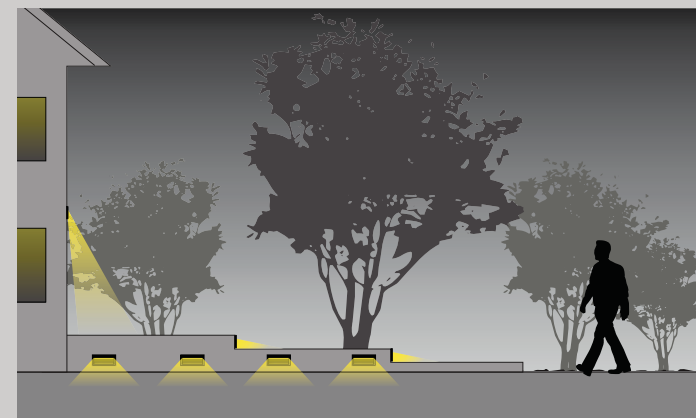
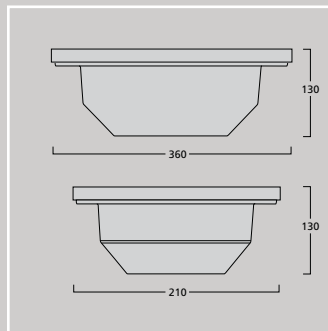


0049277

Features

- 35W and 70W wall recessed luminaire
- Suitable for High Intensity Discharge lamps
- Comes in a rectangular shape
- Fully integrated magnetic gear
- Generates a directed light beam
- High quality front with a plate with asymmetric outlet
- High protection class: IP55
- Heavy-duty housing: IK08
- Delivered with mounting housing

Dimensions (mm)

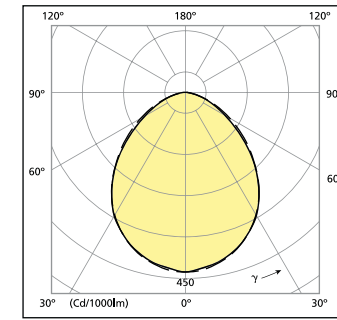


Code (luminaire only)	Description	Wattage (W)	Gear	Shape	Front	Light distribution	Lamp type	Lamp Icon	Item code (lamp only)	Description	Base	Colour temp (k)	Light lumens (lm)	Cri class
Inwall 4 – 35W														
0049277	INWALL 4 GRY DIR 35W G12 MGR	35	Magnetic	Rectangular	Plate with asymmetric outlet	Directed	HID		0020300	Superia CMI-T 35W/WDL	G12	3,000	3,700	91
									0020290	Superia CMI-T 35W/NDL	G12	4,000	3,700	92
Inwall 4 – 70W														
0049278	INWALL 4 GRY DIR 70W G12 MGR	70	Magnetic	Rectangular	Plate with asymmetric outlet	Directed	HID		0020301	Superia CMI-T 70W/WDL	G12	3,000	6,900	90
									0020305	Superia CMI-T 70W/NDL	G12	4,200	7,000	96

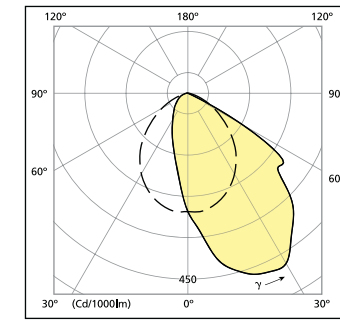
Legend: GRY = Grey; DIR = Directed; LLB = Low Loss Ballast; CFL = Compact Fluorescent Lamp

Inwall 5

Small and slim, the highly efficient Inwall 5 white LED luminaire comes with either satin glass or clear glass for a soft glow or directed light.



Inwall 5 STE DIF 4W LED



Inwall 5 STE DIR 4W LED



0049279

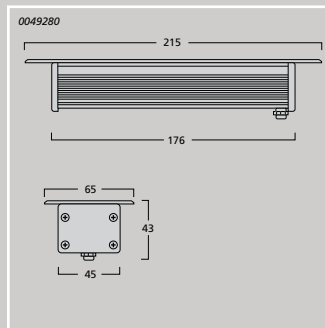
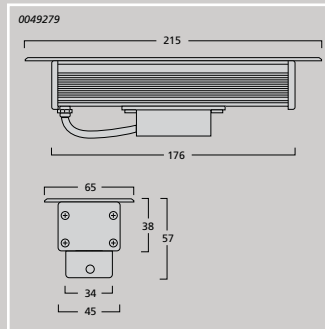


0049280

Features

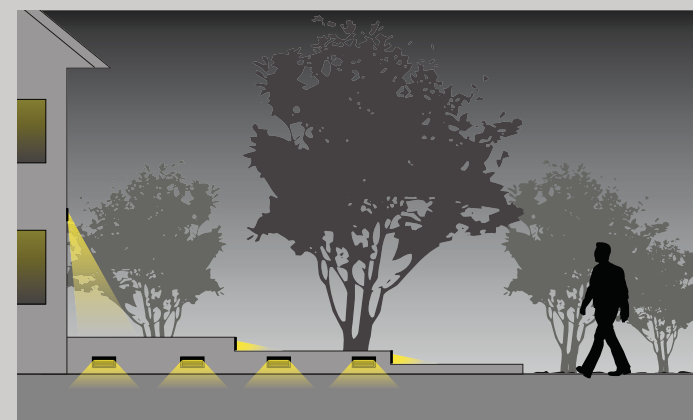
- 4W LED white wall recessed luminaire
- Energy saving LED luminaire with up to 50,000 hours at L70
- Benefits from a nice slim design with steel front plate
- Comes in a rectangular shape
- Fully integrated driver
- Generates a diffused or directed light beam
- High quality front with a choice of satin glass or asymmetric reflector with a clear glass
- High protection class: IP55
- Heavy-duty housing: IK08
- Delivered with mounting housing

Dimensions (mm)



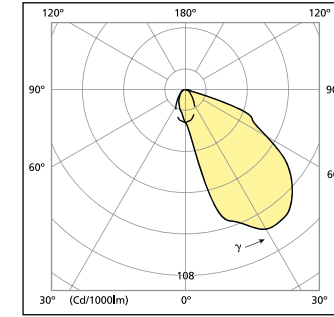
Code (luminaire only)	Description	Wattage (W)	Gear	Shape	Front	Light distribution	Lamp type
Inwall 5 – 4W							
0049279	INWALL 5 STE DIF 4W LED WHT	4	Electronic	Rectangular	Satin glass	Diffused	LED white
0049280	INWALL 5 STE DIR 4W LED WHT	4	Electronic	Rectangular	Asymmetric reflector with clear glass	Directed	LED white

Legend: STE = Steel; DIF = Diffuser; DIR = Directed; WHT = White



Inwall 6

A compact clear-glass fitting with asymmetric reflector that produces a direct beam with just a 3W white LED.



Inwall 6 STE DIR 3W LED

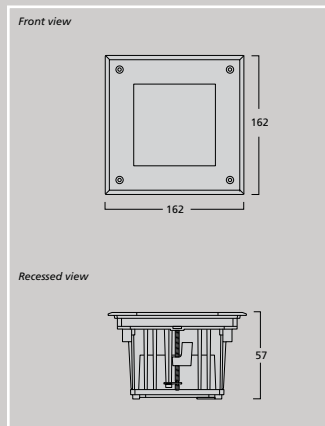


0049281

Features

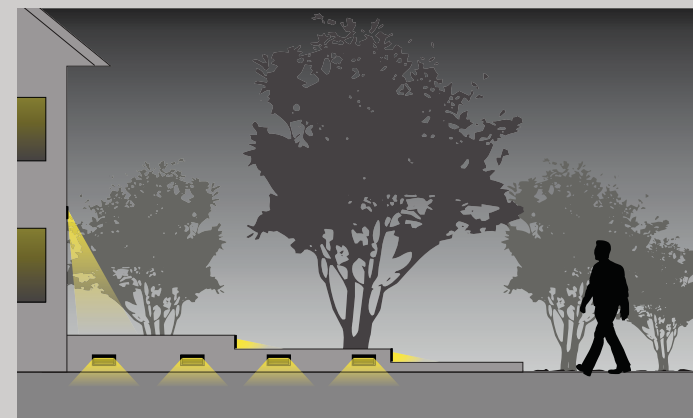
- 3W LED white wall recessed luminaire
- Energy saving LED luminaire with up to 50,000 hours at L70
- Comes in square shape
- Fully integrated driver
- Generates a directed light beam
- High quality front with an asymmetric reflector with a clear glass
- High protection class: IP55
- Heavy-duty housing: IK08
- Delivered with mounting housing

Dimensions (mm)



Code (luminaire only)	Description	Wattage (W)	Gear	Shape	Front	Light distribution	Lamp type
Inwall 6 – 3W							
0049281	INWALL 6 STE DIR 3W LED WHT	3	Electronic	Square	Asymetric reflector with clear glass	Directed	LED white

Legend: STE = Steel; DIF = Diffuser; DIR = Directed; WHT = White





BACK COVER TO CHANGE

SYLVANIA

EUROPE

Head Office

London
hospitality@havells-sylvania.com

Austria Vienna

T. +43 (0)1617 4480
F. +43 (0)1617 4481
info.at@havells-sylvania.com

Belgium Antwerp

T. +32 (0)3 610 44 44
F. +32 (0)3 610 44 57
info.be@havells-sylvania.com

Czech Republic and Slovakia Brno

T. +420 545 231 345
F. +420 545 231 346
info.cz@havells-sylvania.com

Finland Helsinki

T. +358 (0)9 5421 2100
F. +358 (0)9 5421 2130
info.fi@havells-sylvania.com

France

Paris
T. +33 (0)1 55 51 11 00
F. +33 (0)1 55 51 11 15
info.fr@havells-sylvania.com

Germany Erlangen

T. +49 (0) 91317930
F. +49 (0) 9131793345
info.de@havells-sylvania.com

Greece Athens

T. +30 210 996 65 61
F. +30 210 996 90 29
info.gr@havells-sylvania.com

Hungary Budapest

T. +36 (30) 50 69 182
F. +36 (24) 423 563
info.hu@havells-sylvania.com

Italy

Milan
T. +39 02 24 12 58 11
F. +39 02 24 12 58 80
info.it@havells-sylvania.com

Netherlands Breda

T. +31 (0)76 750 44 44
F. +31 (0)76 750 44 56
info.nl@havells-sylvania.com

Norway Oslo

T. +47 23 067470
F. +47 23 067471
info.no@havells-sylvania.com

Poland Warsaw

T. +48 22 811 60 32
F. +48 22 811 60 33
info.pl@havells-sylvania.com

Portugal Lisbon

T. +351 21 793 77 36/37
F. +351 21 793 77 38
info.pt@havells-sylvania.com

Russia Moscow

T. +7 495 935 70 48
F. +7 495 937 70 08
info.ru@havells-sylvania.com

South East Europe

**Serbia, Croatia, Slovenia,
Albania, Montenegro,
Bosnia and Herzegovina,
Bulgaria, Romania, Macedonia**
Belgrade
T. +381 (0)63 617 716
F. +381 (0)11 2398 305
info.see@havells-sylvania.com

Spain Madrid

T. +34 91 669 90 00
F. +34 91 673 73 64
info.es@havells-sylvania.com

Sweden

Stockholm
T. +46 8 556 322 00
F. +46 8 556 322 10
info.se@havells-sylvania.com

Switzerland Zurich

T. +41 44305 31 80
F. +41 44305 31 81
info.ch@havells-sylvania.com

Turkey Istanbul

T. +90 216 594 54 70
F. +90 216 594 54 72
info.tr@havells-sylvania.com

UK

Newhaven
T. +44 870 606 2030
F. +44 1273 512 688
info.uk@havells-sylvania.com
info.concord@
havells-sylvania.com

MIDDLE EAST

**United Arab Emirates
Dubai**

Malaysia

Kuala Lumpur
T. +603 2031 8788
F. +603 2031 4788
info.my@havells-sylvania.com

Thailand Bangkok

T. +66 2656 9039
F. +66 2254 3369
info.th@havells-sylvania.com

Vietnam Hanoi

T. +844 37 151 604
F. +844 37 151 605
info.vn@havells-sylvania.com

AMERICAS

**Argentina, Paraguay, Uruguay
Buenos Aires**
T. +54 11 4546 4200
F. +54 11 4546 4228
info.ar@havells-sylvania.com

Brazil

São Paulo
T. +55 11 3133 2400
F. +55 11 5521 3660

Costa Rica

San José
T. +506 22 107 678
F. +506 22 200 338
sales@havells-sylvania.com

Ecuador Quito

T. +593 2 328 4407
F. +593 2 281 0007
info.ec@havells-sylvania.com

El Salvador San Salvador

T. +503 2239 2239
F. +503 2284 9670
info.sv@havells-sylvania.com

Guatemala

Guatemala City
T. +502 2387 5300
F. +502 2387 5301
info.gt@havells-sylvania.com

Mexico

Mexico D.F.
T. +52 55 5387 7670
F. +52 55 5387 7671
info.mx@havells-sli.com

Turkish contact details (see above)
updated by Juice 16/10/2012

Croatia amended contact details
done by APS
These Turkish amends need to be added
to APS artwork

Information provided herein does not assure any quality features. Although every effort has been made to ensure accuracy in the compilation of technical information, specifications and performance are subject to change without notice. We expressly exclude liability for any such inaccuracies or errors to the fullest extent permitted by law.