

Self-Enclosed Shark[®] Meter Assembly

For Multi-function Shark[®] 50, 100, 100B, or 200 Meters



www.electroind.com

- For Retrofit Meter Solutions
- Extends Switchgear Capability
- Pre-Wired and Configured
- Eliminates Wiring and Installation Errors



Electro Industries/GaugeTech
The Leader in Power Monitoring and Smart Grid Solutions

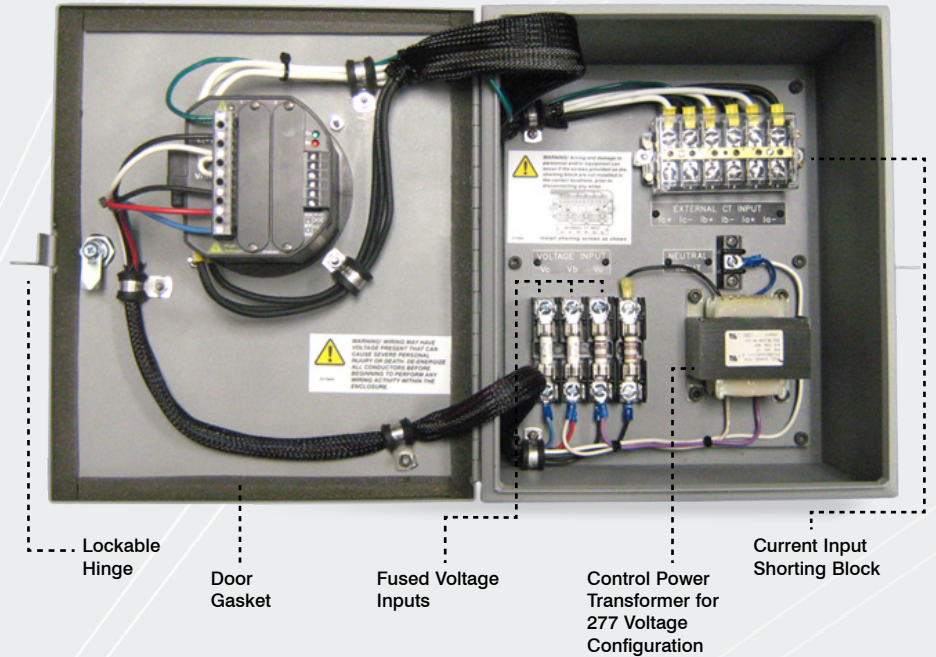


Description

EIG's Shark® meter in an enclosure lets you expand your switchgear capability without expensive and time-consuming redesign. Simply mount and wire the enclosure next to your switchgear and you are ready to go, with no downtime at all!

This is a perfect solution for a retrofit when there is no metering compartment available. The meter comes standard with a NEMA 1 enclosure and is factory wired with the meter installed. Standard equipment includes voltage fuses, a shorting block for current transformers, and a control power transformer if used with 277/480 Volt power systems.

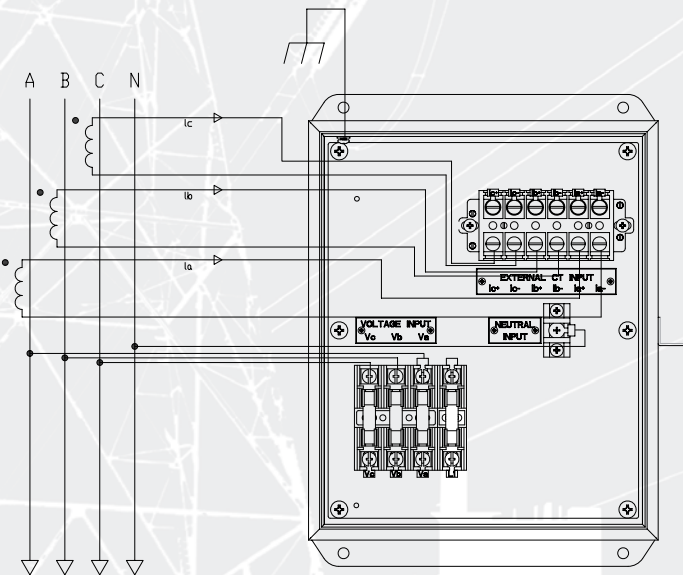
The enclosure can be ordered with either the Shark® 50 multi-function meter, the Shark® 100 multi-function meter, the Shark® 100B meter with native BACnet/IP, or the Shark® 200 advanced meter with datalogging and extensive I/O.



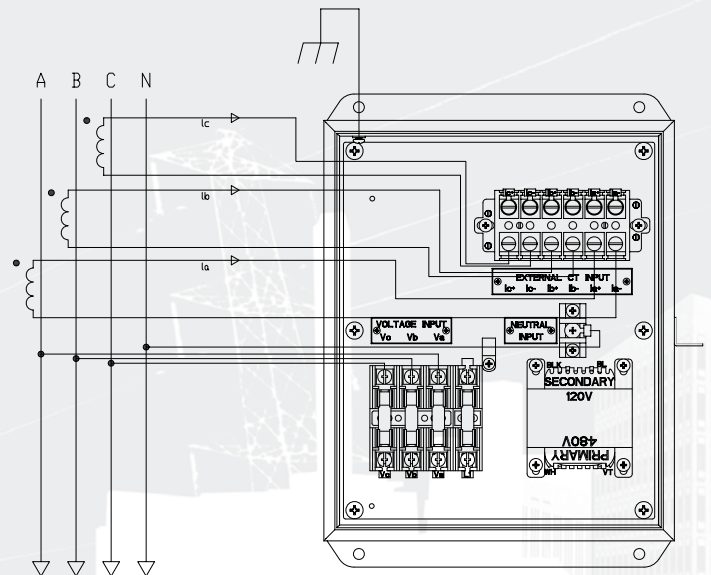
It is offered in two voltage configurations:

- 277 Volt enclosure (comes equipped with a control power transformer)
- 120-240 Volt enclosure

WIRING DIAGRAMS

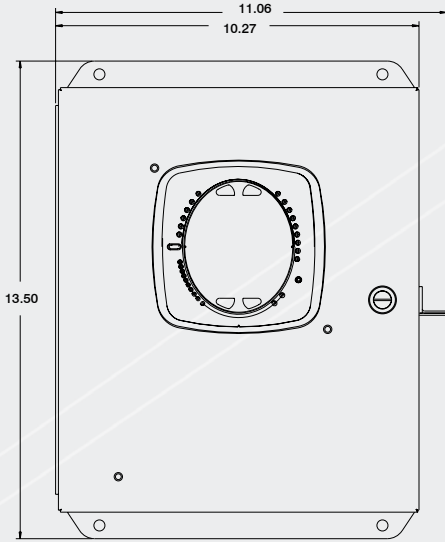


Wye Wiring for 120V

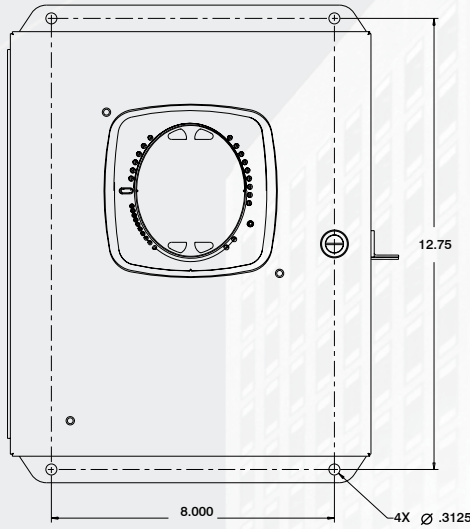


Wye Wiring for 277V

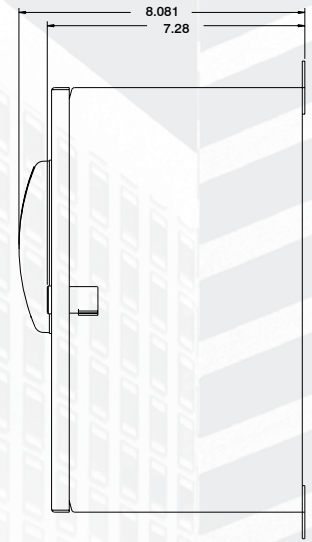
DIMENSIONAL DRAWINGS



Meter Assembly Front Dimensions



Meter Assembly Mounting Dimensions



Meter Assembly Side Dimensions

ORDERING INFORMATION

Shark® 50 in Self-Enclosed Meter Assembly

All fields must be filled in to create a valid part number.

Model	Voltage	V-Switch Pack	Communication
Option Numbers:	-	-	-
Example:	ENCSHK50	277	V2
Shark® 50 Meter	120 - 120-240 Volts	V1 Multifunction Meter Only	X None
	277 - 277 Volts	V2 V1 plus Power and Frequency	485P RS485 and KYZ Pulse Output
		V3 V2 plus Energy Counters	

Shark® 100 in Self-Enclosed Meter Assembly

All fields must be filled in to create a valid part number.

Model	Voltage	Frequency	Current Input	V-Switch Pack	Power Supply	Communication
Option Numbers:	-	-	-	-	-	-
Example:	ENCSHK100	277	60	10	V2	D2
Shark® 100 Meter	120 - 120-240 Volts	50 50 Hz System	10 5 Amp Secondary	V1 Multifunction Meter Only	D2 Option Universal, (90 to 265)	X None
	277 - 277 Volts	60 60 Hz System	2 1 Amp Secondary	V2 V1 plus Power and Frequency	VAC @50/60Hz or (100 to 370) VDC	485P RS485 and KYZ Pulse Output
				V3 V2 plus DNP 3.0 and Energy Counters		INP10 100BaseT Ethernet and KYZ Pulse Output
				V4 V3 plus Limits and Harmonics		

Ordering Information

Shark® 100B in Self-Enclosed Meter Assembly

All fields must be filled in to create a valid part number.

Model	Voltage	Frequency	Current Input	Power Supply					
Option Numbers:	-	-	-	-					
Example:	ENC5HK100B	-	277	-	60	-	10	-	D2
Shark® 100B Meter	120 - 120-240 Volts 277 - 277 Volts	50 50 Hz System 60 60 Hz System	10 5 Amp Secondary 2 1 Amp Secondary	D2 Option Universal, (90 to 265) VAC @50/60Hz or (100 to 370) VDC					

Shark® 200 in Self-Enclosed Meter Assembly

All fields must be filled in to create a valid part number.

Model	Voltage	Frequency	Current Input	V-Switch Pack	Power Supply	I/O Slot 1	I/O Slot 2								
Option Numbers:	-	-	-	-	-	-	-								
Example:	ENC5HK200	-	277	-	60	-	10	-	V2	-	D2	-	X	-	X
Shark® 200 Meter	120 - 120-240 Volts 277 - 277 Volts	50 50 Hz System 60 60 Hz System	10 5 Amp Secondary 2 1 Amp Secondary	V1 Multifunction Meter Only V2 V1 plus 2 MB Data-Logging Memory V3 V2 plus %THD V4 V3 plus Limits and Control Functions V5 V4 plus 3 MB Data-Logging Memory and 64 Samples/Cycle Waveform Recorder V6 V4 plus 4 MB Data-Logging Memory and 512 Samples/Cycle Waveform Recorder	D2 Option Universal, (90 to 265) VAC @50/60Hz or (100 to 370) VDC	X None INP100S 10/100BaseT Ethernet RO1S 2 Relay Outputs/ 2 Status Inputs PO1S 4 Pulse Outputs/ 4 Status Inputs 1mAOS 4 Channel Analog Output 0-1 (Bidirectional) 20mAOS 4 Channel Analog Output 4-20mA FOSTS Fiber Optic Output ST Terminated FOVPS Fiber Optic Output Versatile Link Terminated	X None INP100S 10/100BaseT Ethernet RO1S 2 Relay Outputs/ 2 Status Inputs PO1S 4 Pulse Outputs/ 4 Status Inputs 1mAOS 4 Channel Analog Output 0-1 (Bidirectional) 20mAOS 4 Channel Analog Output 4-20mA FOSTS Fiber Optic Output ST Terminated FOVPS Fiber Optic Output Versatile Link Terminated								



Electro Industries/GaugeTech

1800 Shames Drive • Westbury, NY 11590

1-877-EIMETER (1-877-346-3837) • **E-Mail:** sales@electroind.com

Tel: 516-334-0870 • **Web Site:** www.electroind.com • **Fax:** 516-338-4741