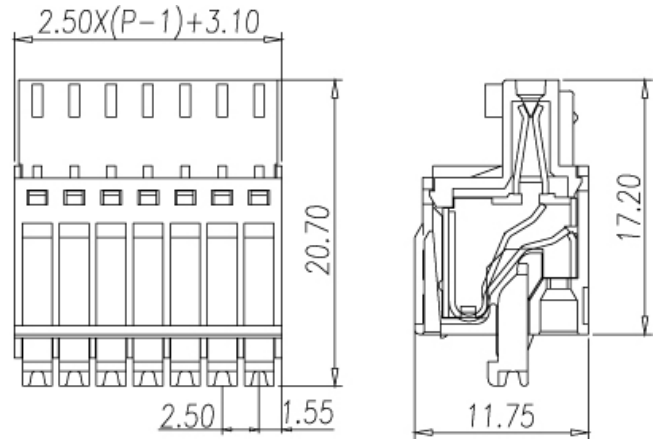


Spring plugs for pluggable terminal blocks / ESC & ESD series



ESC250V



Pitch: 2.50mm

Approval	UL	
Technical Data	UL	IEC
Rated voltage	150V	130V
Rated current	4A	4A
Conductor cross-section, solid (AWG/ mm ²)	28~20 / 0.5~0.5	
Conductor cross-section, flexible (AWG/ mm ²)		
Rated surge voltage (UL/IEC/Max.)	1.5 / 1.25 / KV	
Torque (N-m)		
Screw		
Wire strip length	8mm	
Pole	Cat. No.	
02	ESC250V-02P	
:	:	
:	:	
24	ESC250V-24P	

TEL: +886-2-2908-0614

FAX: +886-2-2908-8549

E-mail: info@dinkle.com.tw