

New Product Announcement

A new 5000W bidirectional TVS - 5.0SMCJxxA Series

FEATURES:

- 5000 W peak pulse power capability with a 10/1000 μ s waveform
- Excellent clamping capability
- Low incremental surge resistance

APPLICATIONS:

- Industrial
- Telecommunication
- LED Light

MAIN SPECIFICATIONS:

Part Number	Package	V_{RWM}	$V_{BR}@I_T$		I_T	V_C	I_{PP}	I_R
			Min.	Max.				
			V	V				
5.0SMCJ58A	SMC	58	64.4	74.1	1	93.6	53.5	3
5.0SMCJ60A	SMC	60	66.7	76.7	1	96.8	51.7	3
5.0SMCJ64A	SMC	64	71.1	81.8	1	103	48.6	3
5.0SMCJ70A	SMC	70	77.8	89.5	1	113	44.3	3
5.0SMCJ75A	SMC	75	83.3	95.8	1	121	44.1	3
5.0SMCJ78A	SMC	78	86.7	99.7	1	126	39.7	3
5.0SMCJ85A	SMC	85	94.4	108.2	1	137	36.5	3
5.0SMCJ90A	SMC	90	100	115.5	1	146	34.3	3
5.0SMCJ100A	SMC	100	111	128	1	162	30.9	3

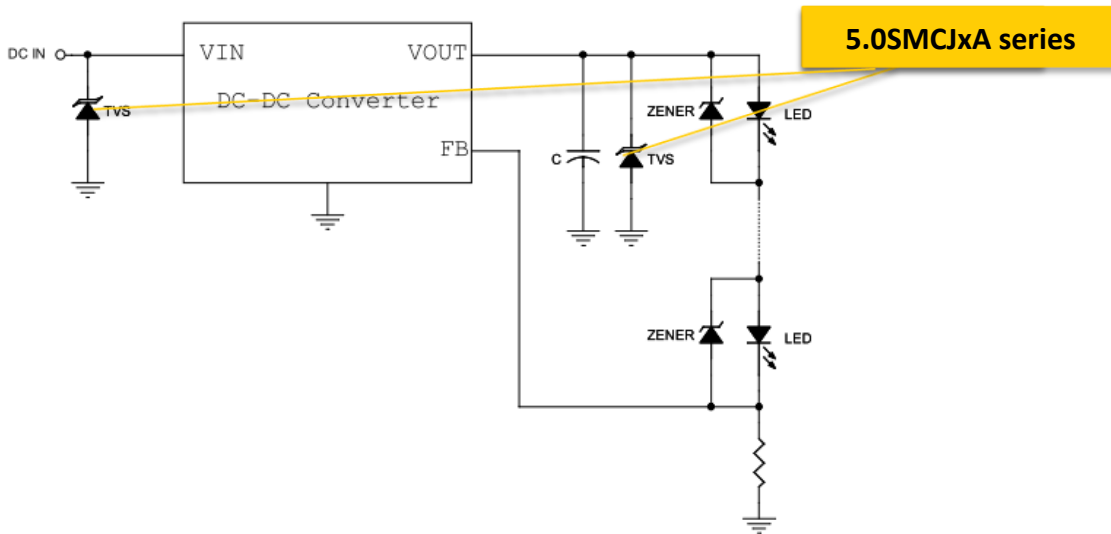
PanJit International Inc. has introduced a new series of TVS, the 5.0SMCJxA series. These TVS devices are designed to protect the system of the electronic equipments from the impact caused by the surge voltage and power switching.

Furthermore, this series is suitable to apply on DC power buses of consumer electronics for lightning surge transients protection.

New Product Announcement

APPLICATIONS SCHEMATIC:

• LED streetlight Circuit



• Recommend Parts

Product Type	Part Number	Package	Qty/Board	Rating
NEW TVS	5.0SMC Series	SMC	2	58-100V
Zener	BZT52-Bxx Series	SOD-123	2	2.4-75V

Notes

- Samples are available now.
- For complete datasheet and product information, please visit PAN JIT's website.
- For furthering ordering information, please contact us directly
- For more information on other products, please visit PAN JIT's website.