

New Product Announcement

A New 175V TVS in Flat Package - SMF175A

FEATURES:

- **SOD-123FL** Package for Space Reduction
- Stand-off Voltage: 175 Volts
- 200 Watt Peak Power Dissipation
- Low Clamping Voltage

APPLICATIONS:

- Mobile AC Adapter/Charger



MAIN SPECIFICATIONS:

Part Number	Package	V_{RWM}	$V_{BR}@I_T$		I_T	$I_R@V_{RWM}$	Watt
		V	Min.	Max.	mA	μA	W
			V	V			
SMF5.0A	SOD-123FL	5	6.4	7	10	400	200
SMF170A	SOD-123FL	170	189	209	1	1	200
⋮							
NEW SMF175A	SOD-123FL	175	198	214	1	1	200

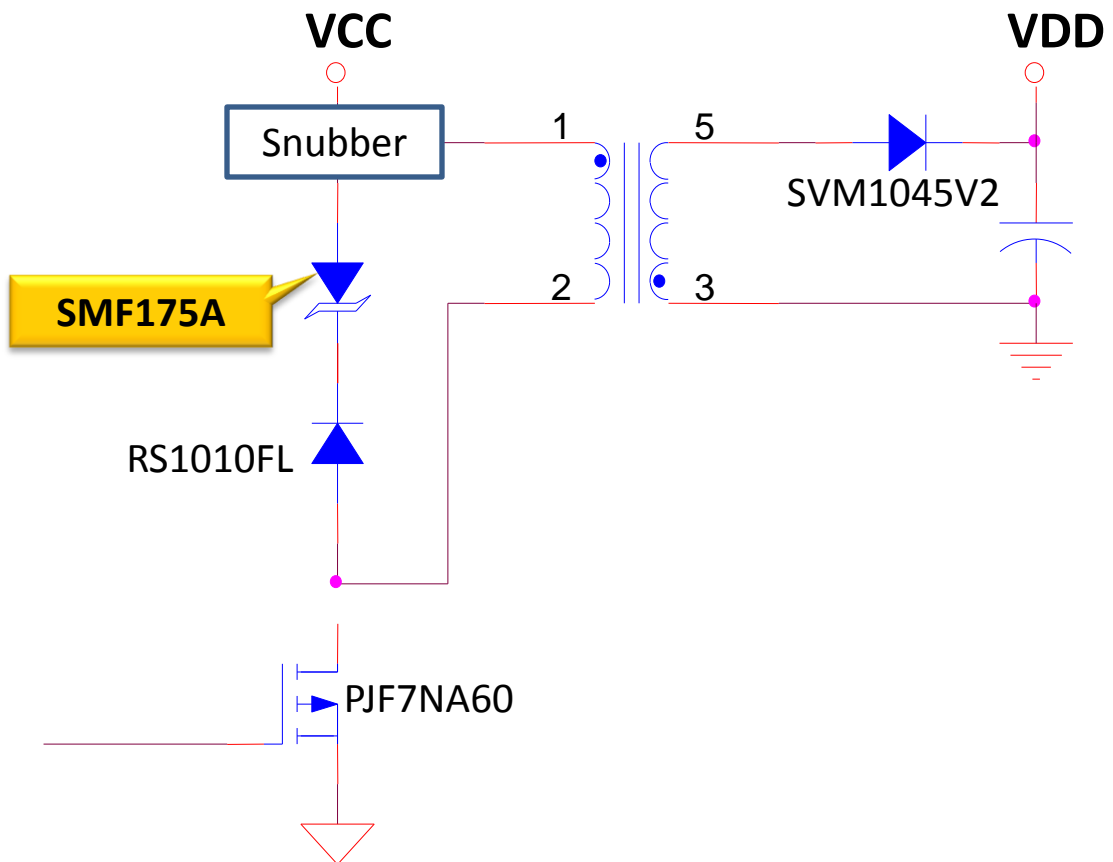
PanJit International Inc. has extended its SMFxxxA series by launching a 175 Volts TVS – SMF175A. This TVS device is ideal for the protection of I/O interfaces, power line and other vulnerable circuits used in telecom, computer, industrial or consumer electronic applications.

As TVS is selected according to the working peak reverse voltage (V_{RWM}), which should be equal to or greater than the DC or continuous peak operating voltage level, SMF175A is recommended to be placed along the snubber in the charger of mobile products.

New Product Announcement

APPLICATIONS SCHEMATIC:

● Charger Circuit



Notes

- Samples are available now.
- For complete datasheet and product information, please visit PAN JIT's website.
- For furthering ordering information, please contact us directly.
- For more information on other products, please visit PAN JIT's website.