



华威电子

HUAWEI ELECTRONICS



Chang®

ChangZhou Huawei Electronic Co.,LTD

COMPANY PROFILE 2010



Lead-Free
RoHS Compliant



華威電子

HUAWEI ELECTRONICS



Chang®

德普科技招股詳情

國際配售股數	1.35億股
公開發售股數	1,500萬股
招股價範圍	1.06-1.3元
06年度市盈率	10.9-13.4倍
每手股數	2,000股
入場費	2,626.234元
集資總額	1.59-1.95億元
招股日期	24/8-29/8
上市日期	6/9
保薦人	亨達融資
股份代號	3823
派表行	渣打銀行

We are a public company (3823) listed on HK Stock Exchange as Tech Pro



德普首日上市股價上升。圖為德普主席陳奇能。

Executive director of Tech Pro Technology Development, sees the firm's new shares close 3.84 per cent higher. Photo: David Wong



ChangZhou E-cap New Factory (Radial & Snap-in & Screw)



ChangZhou E-cap Factory (SMD)



ShenZhen E-cap Factory (Radial & Low ESR)





HUAWEI ELECTRONICS



Chang®

Company Information

- Kind of Company: Manufacturer
- Property of Company : Joint Venture
- Total Invest: USD47,730,000
- Turnover 2009: USD86,000,000
- Managing Director : Mr .Yan Qi Xu
- Building Total Area : 88800M2
- . Production capacity: 540 million pcs /M
- . Total Employee 1700
- . Production 1350
- . Engineer 82
- . Quality control 96
- . Machinist 45
- . Admin & Management 127



HUAWEI ELECTRONICS



Chang®

Company History

- Founded in Aug. 1987 named Zouqu Radio Components Factory, start to manufacture E-CAP.
- Changzhou Huawei Electronics Co.,Ltd. was established in Mar.,1993. Yearly production capacity is 90million pieces in this year.
- 2003 we invested a new factory which specialize in manufacturing v-chip E-CAP (SMD). we've been the member of 100 Tops of Chinese Electronic Component Enterprises at this year.
- In the Mar. of 2003, we cooperated with OST Corp. started to manufacture Low ESR product. Our annual output for this kind of product is about 700 million pieces now.
- Our company has been listed in the main board of HongKong Stock Market as Tech Pro Technology since 6 Sep 2007. (Code: 3823)
- We invested new building for production at Changzhou in year 2008, the production capacity expanded to 500 million pieces per month.
- We invested a new factory at Shenzhen in year 2009, make Low ESR product for OST specially.
- From December 2008, our company runs under ISO/TS16949: 2002 management system, it will be registered in March this year.

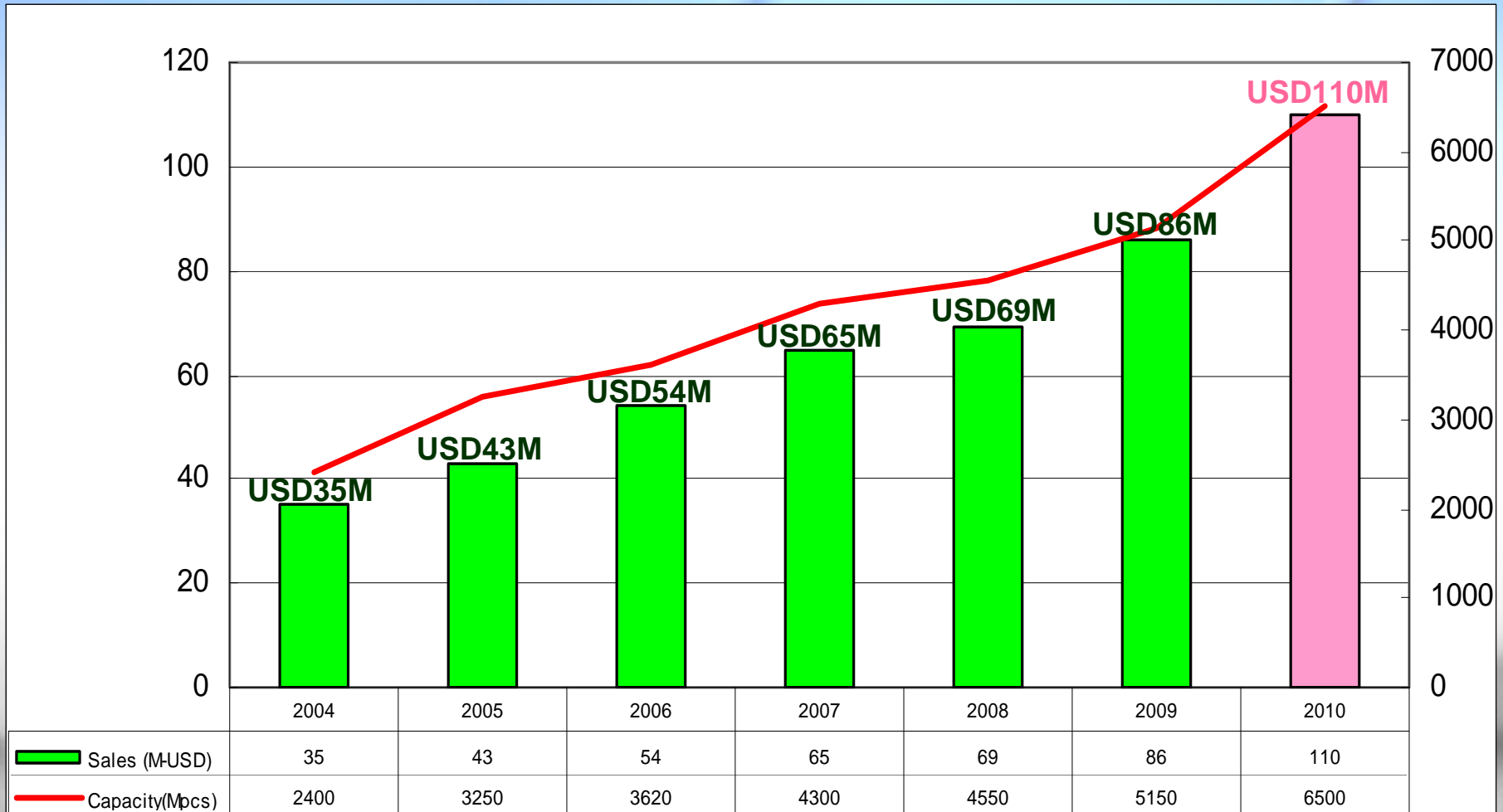


HUAWEI ELECTRONICS



Yearly Sales Trend:

From 2004 to 2009, Average Sales increment: >20%



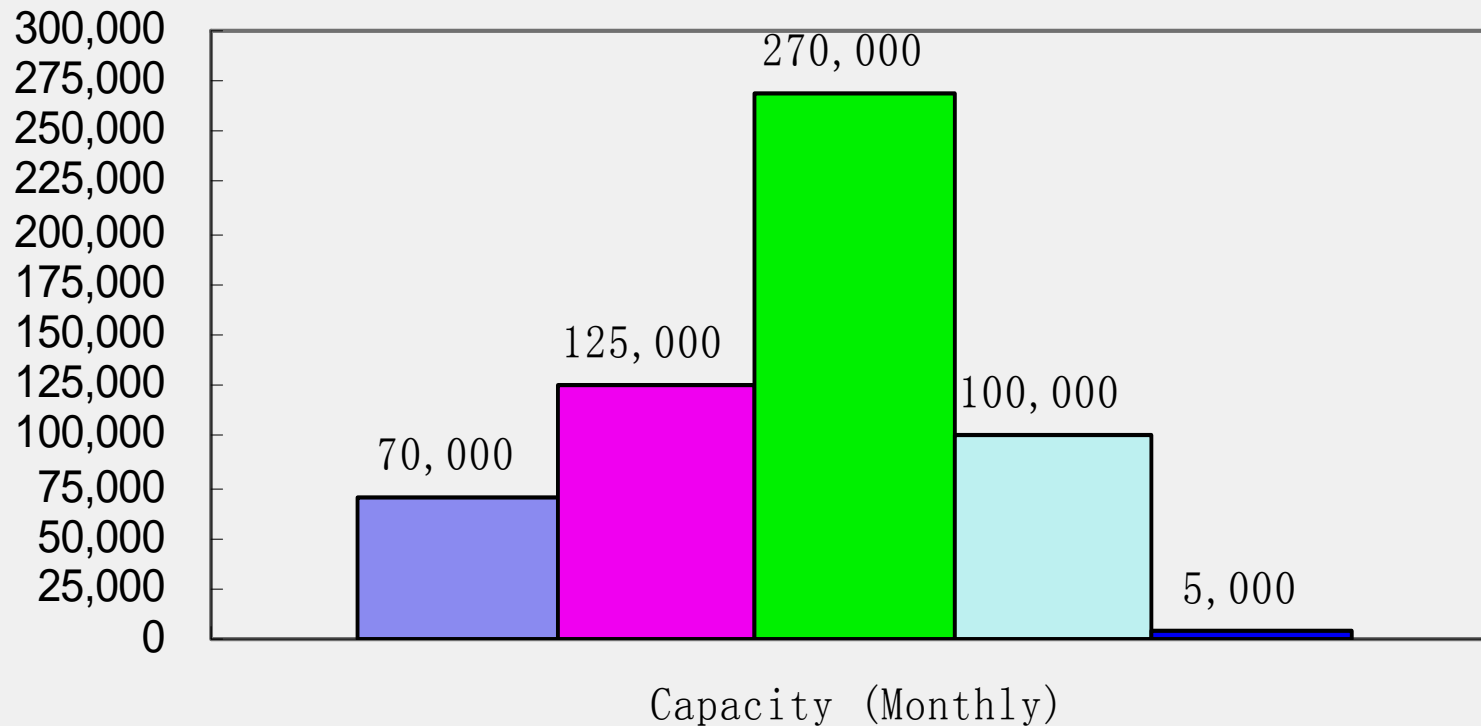


HUAWEI ELECTRONICS



Monthly Production Capacity Form (Kpcs)

Total: 540,000 K/Month



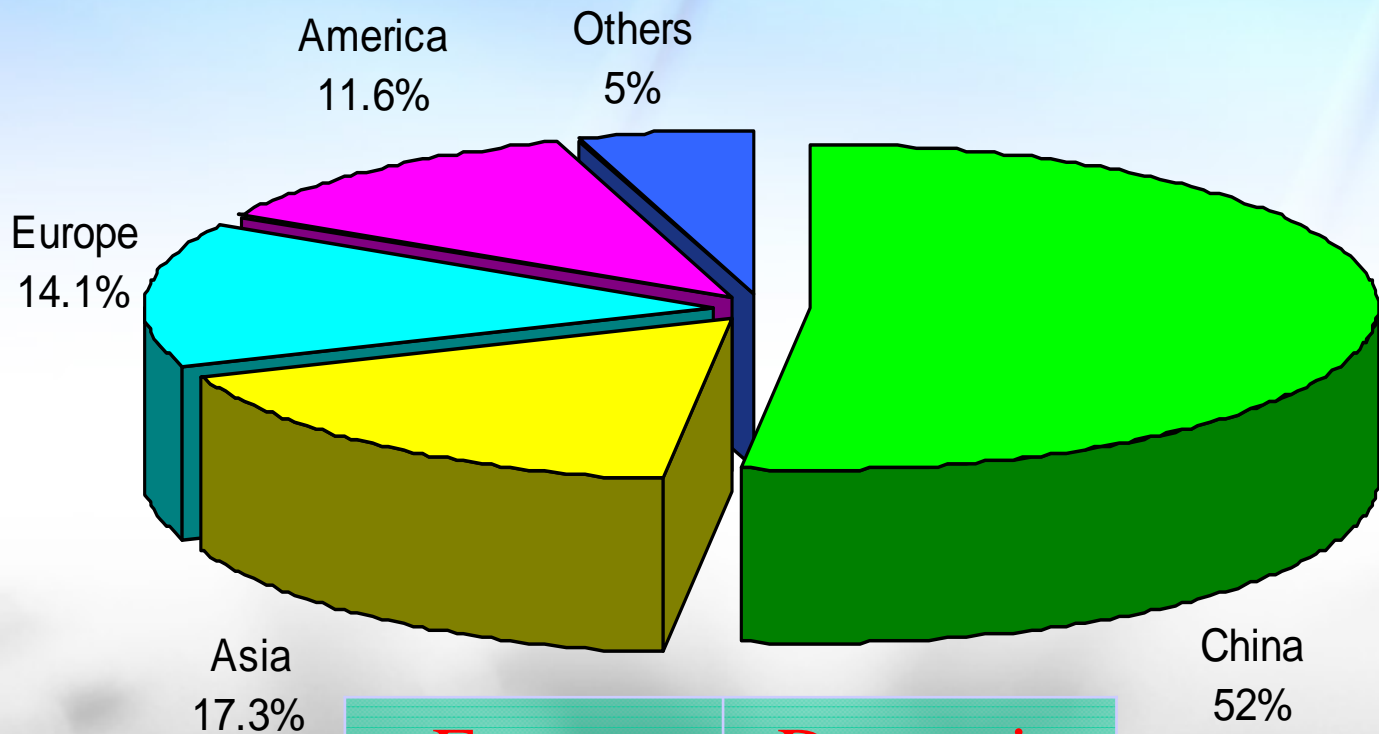
Low ESR 5L 7L Radial V-chip Snap-in & Screw



HUAWEI ELECTRONICS



Customer Location:



Export	Domestic
48%	52%



HUAWEI ELECTRONICS



Chang®

Main Customer:

FLEXTRONICS



VESTEL

Haier

TCL

JABIL

ASUS®

KONKA

Hisense 海信

KTC®
Kangguan viewTech Center

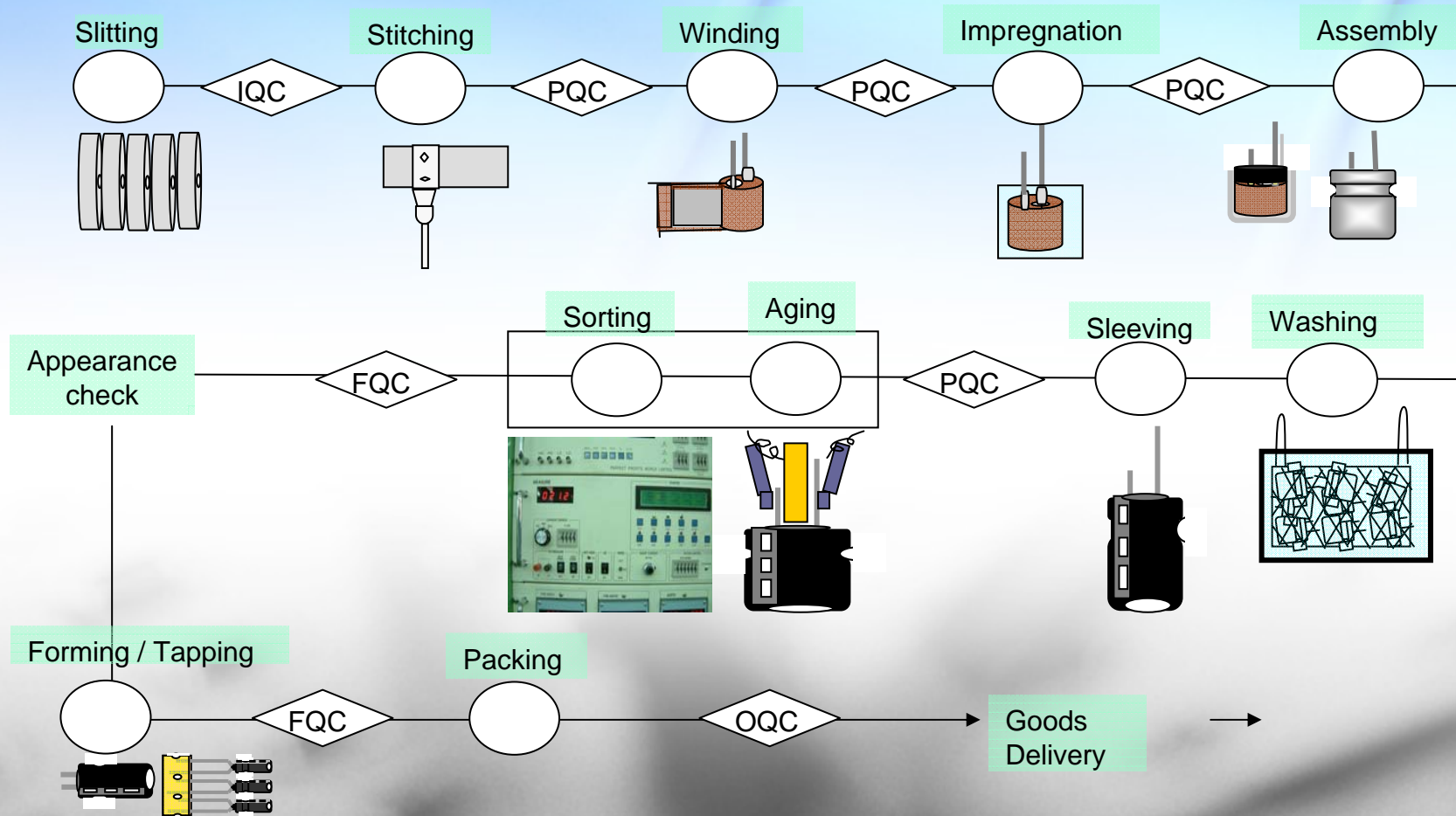


CHANGHONG 长虹

同洲电子

MITSUMI
天津三美电机

MANUFACTURING PROCESS





HUAWEI ELECTRONICS



Chang®

E-Cap Production (1)





华威电子

HUAWEI ELECTRONICS



Chang®

E-Cap Production (2)





HUAWEI ELECTRONICS



Chang®

Quality Control & Test



Raw Materials Testing



RoHS Testing



HUAWEI ELECTRONICS



Chang®

Quality Control & Test



Trace Moisture Analyzer



Video measuring instrument



华威电子

HUAWEI ELECTRONICS



Chang®

Quality Control & Test



X-Ray Analysis





HUAWEI ELECTRONICS



Chang®

Quality Control & Testing



Reflow testing Machine



例行試驗

Reliability testing Machine



HUAWEI ELECTRONICS



Chang®

Quality 质量方针
Policy

重实效管理、提质量水平

**Focus on Actively Management,
Enhance Quality Management Level**

供优质产品、行超值服务

**Supply High Quality Products,
Support with Value-adding Service**

Environ-环境方针
mental Policy

以人为本，遵守环境法规，

People first, observe the environmental regulation,

促进保护生态环境与企业发展的和谐

**promote the ecological environment protection and
harmony of enterprise's development**

科技先导，提供绿色产品，

**Scientific and technological guide , offer the green
products ,**

确保不断持续改进和品牌提升的统一

**guarantee and improve continuously constantly that
and the brand is being promoted unified**



HUAWEI ELECTRONICS



Chang®

Raw Materials & Suppliers

MATERIALS	Main Supplier	Origin
Aluminum Foil	JCC Japan Matsushita	Japan Japan
Electrolytic Paper	NKK KAN Specialities Material	Japan China
Electrolyte	Tomiyama Hua Wei	Japan China
Lead wire	Kohoku Electronics (S) Pte. Ltd Taiwan QuanYong	Singapore/China Taiwan/China
Aluminum Case	Oakley Industrial Ltd Ao Xing Electronic	Taiwan/China China
Rubber	JCC Korea YuHuan XinZhuang	Korea China
Sleeve	Yun Lin Enterprises	Taiwan / China



HUAWEI ELECTRONICS



Chang®

Main Production Equipments

Item	Maker	Spec.	Qty.
Cutting Foil & Paper Machine	China	0.22~1.6	12
Stitching & Winding Machine	TaiWan	Φ 3~ Φ 22	156
Assembling Machine	TaiWan	Φ 3~ Φ 22	106
Sleeving Machine	TaiWan	Φ 3~ Φ 22	106
Electrical Ageing Chamber	TaiWan	Φ 3~ Φ 18	29
Automatic Sorting Machine	China	Φ 3~ Φ 18	147
Tapping & Forming Machine	TaiWan	Φ 3~ Φ 10	26
Cutting & Forming Machine	China	Φ 3~ Φ 16	16
Stitching & Winding Machine 3000#	TaiWan	Φ 20~ Φ 40	8
Stitching & Winding Machine 6000#	TaiWan	Φ 35~ Φ 65	4
Semi-Automatic Large Sorting Machine	China	Φ 20~ Φ 40	4



HUAWEI ELECTRONICS



Chang®

Main Production QC & Testing Equipments

Item	Maker	Qty.
Load life Testing Machine	China	10
High-low Temp Testing Machine	TaiWan	1
Capacity Testing Machine	China	9
Resistance Testing Machine	China	2
Electrical magnifying glass	TaiWan	5
Reflow testing Machine	HongKong	1
X-ray Machine	Japan	2
RoHS Testing Machine	China	1
Element Analysis Machine	China	20



HUAWEI ELECTRONICS



Chang®

常州华威电子有限公司
Changzhou Huawei Electronic Co.,Ltd



Your best partner for capacitor

Thank you!

