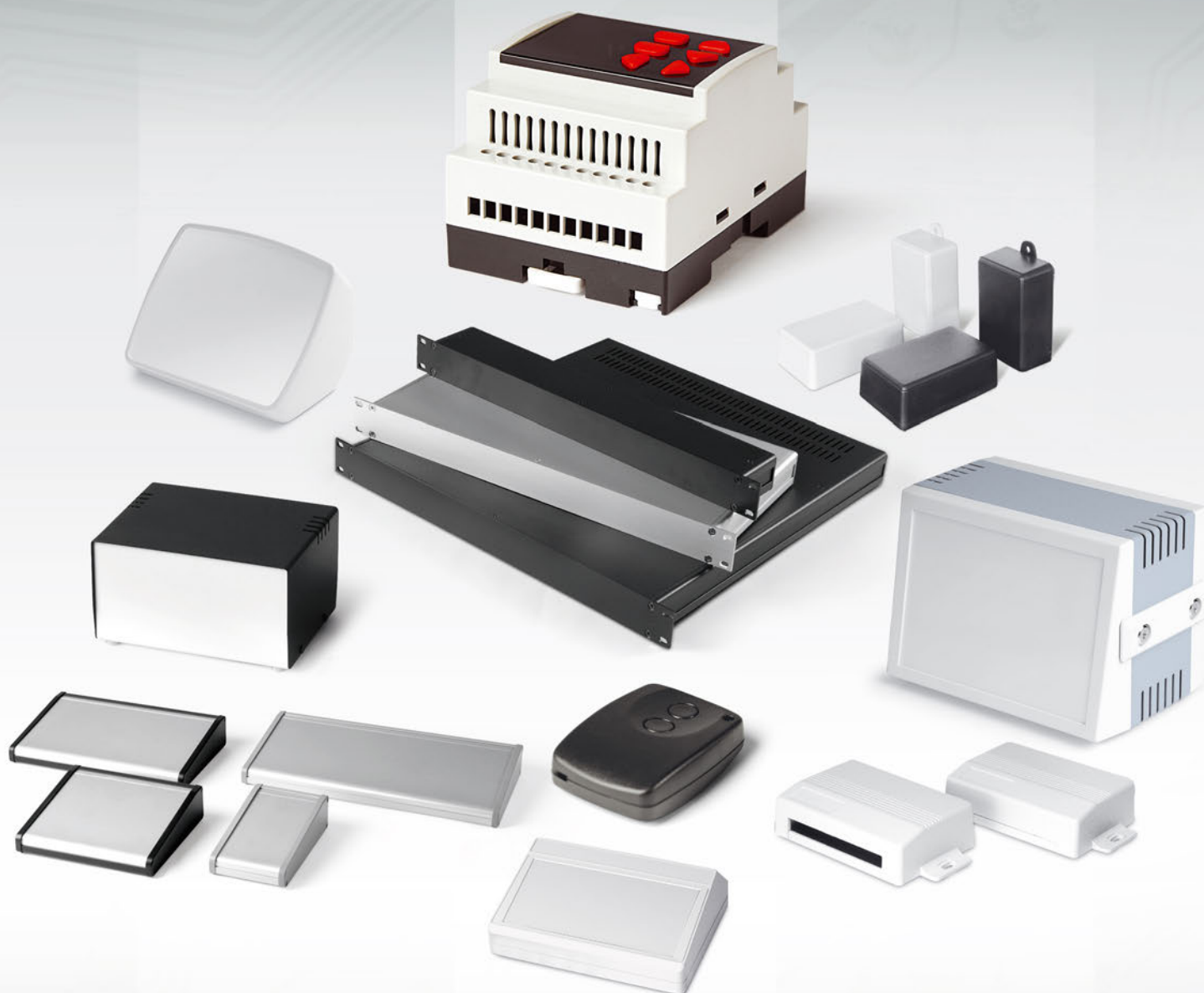


22M
Autumn 2012



ALTINKAYA

ENCLOSURES FOR ELECTRONICS



22 M
PRODUCT CATALOG

www.altinkaya.eu

ALTINKAYA SHORTLY

Altinkaya is a leading enclosure producer with more than thirty years of know-how. Located in Turkey, we offer a large variety of enclosures for lab equipment, safety and home automation, measurement and organization, telecommunications, and biomedical and customer electronics businesses. Not only do we make and deliver enclosures for electronics, we also do so for such things as PCB rails, standoffs, battery holders, cable glands, and distances. For these types of components view our catalog or website at <http://www.altinkaya.eu>.

ENCLOSURES

Altinkaya produces in excess of 400 different types of enclosures for electronics in 16 various product lines. Made in bulk quantities they are on stock and ready to be delivered to your company.

MECHANICAL COMPONENTS FOR ELECTRONICS

Our web page enables you to find specific accessories for your creation. In order to give you a wider variety to choose from we offer other companies components in our catalogs as well. Items such as plastic buttons, PCB screws, battery snaps and holders, distances, inserts, grommets, belt clips, terminals, handles, PCB rails, feet, knobs, and wall mountings can be found in the catalogs product line.

WE ADD 40 ADDITIONAL NEW PRODUCTS

Our engineers produce new designs each year by combining what our customers want with certain steps. Every year we produce approximately 40 new models. We will produce a model per your request, so if you do not see it in our catalog, call us and give us your specifications.

CUSTOMIZATION SERVICE

We customize products as to what you require and for the artistic look you want. If you need a specific color or special tooling let us know and our experts will produce it for you.

MACHINING SERVICE

We use modern technological machines and tools to produce your enclosures the way you want them. We guarantee on-time delivery and excellent workmanship beyond your expectations.

WEB SHOPS ON THE INTERNET

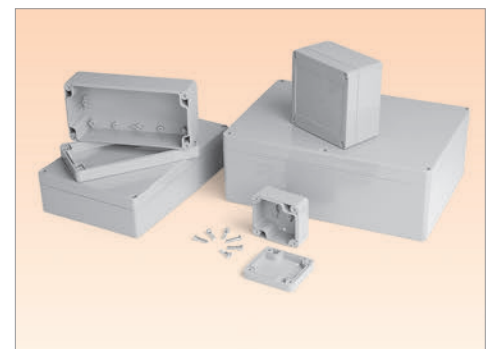
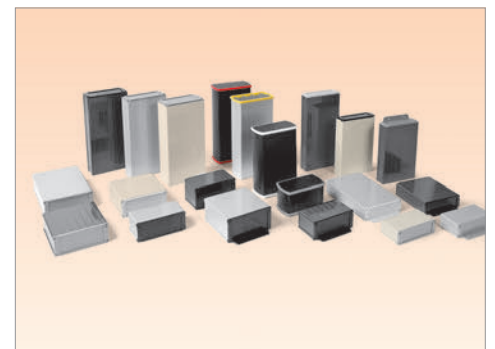
Look at our web page for specific details about our products. You can order online and pay from around the world in just a few minutes with no minimum quantity by credit card or your bank account safely. Check prices based on the quantity you need. We welcome even small orders!

FAST DELIVERY TIME!

As company policy we attach importance to on-time delivery. Since we have all our enclosures in stock in bulk amounts we can ship your orders given from our web shop on the same or very next day.

NEED SAMPLES ?

We understand need of our customers' for testing enclosures before decision. Our "no minimum" policy makes easy for you to try our enclosures for your project in different colors and sizes. You can place a secure order immediately from our web site. Your order will be on its way very next day.



MACHINING SERVICE

SEE OUR ENCLOSURES BEFORE FINISHING YOUR PCB DESIGNS!

The card and enclosure must be evaluated when you design an electronic device. You need to decide which enclosure you will use before you figure out the location for designing your elements. Taking these steps allows your device to be released a lot sooner than someone who does not. When deciding on your enclosure design, feel free to use our catalog and website to figure out how you want it to look.

We Can Build Enclosures Specifically for Your Device!

We will build products that are pleasing to the eye and meet what our customers need and want. If you would like a specific color or you need any special machining let us know and our qualified members will do it for you.

Exceptional Fit and Flawless Results!

According to your specifications, our team will make your enclosures using the most technological CNC tools and devices. You can rest assured that all deliveries will be timely and that you will have flawless results that are top-notch.

No Waste

You receive a lower unit prices, as our team of professional members practice a "Zero Waste Ratio".



I/O Socket Openings



Ventilation Strips



Curved Cutting with CNC



Speaker Openings



Button Holes



Ventilation



Precise Cutting



Countersink Holes



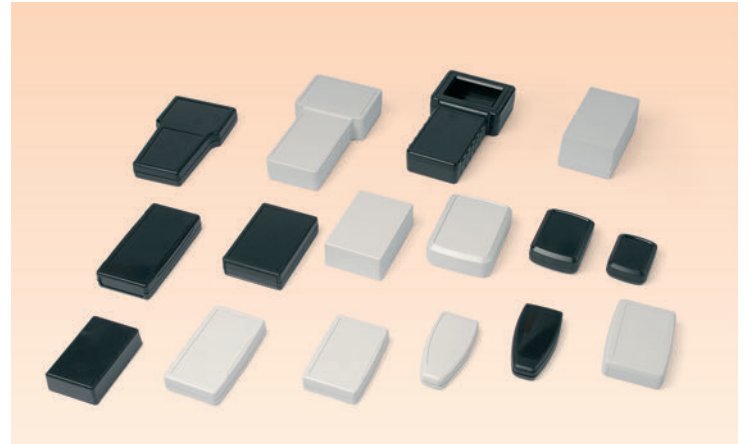
Recessed Label Pool



Flexible Button Cutouts



POCKET SIZE ENCLOSURES Page 6



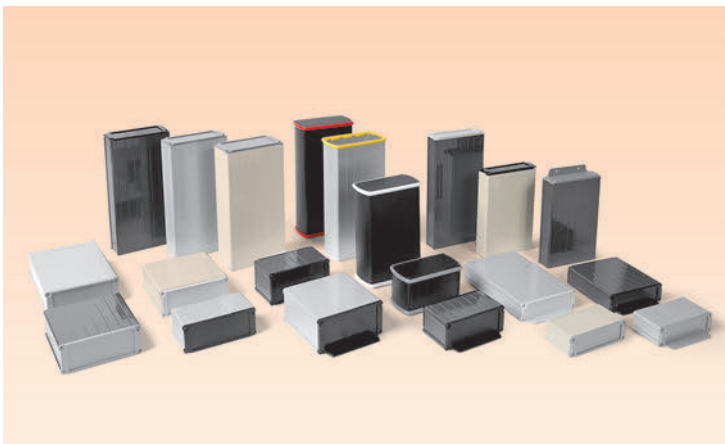
HANDHELD ENCLOSURES Page 8



DIN RAIL ENCLOSURES Page 17



DIN PANEL ENCLOSURES Page 20



ALUMINIUM PROFILE ENCLOSURES Page 28



NEW
METAL PROJECT ENCLOSURES Page 30

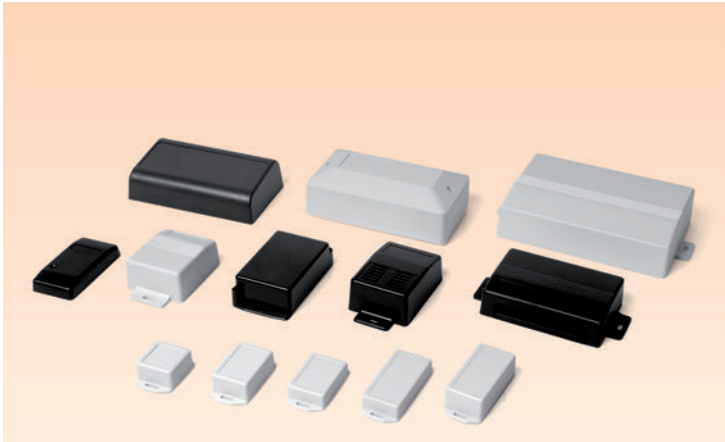
Internet web shop altinkaya.eu
You can order online and pay from around the world in just a few minutes with no minimum quantity by credit card or your bank account safely. Check prices based on the quantity you need. We welcome even small orders!



 **electronica** 2012
inside tomorrow

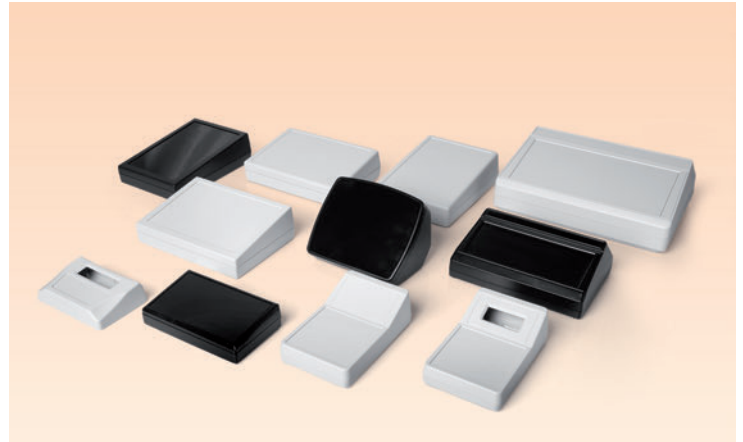
We are at Munich Electronica 2012 Fair

We will exhibit our products on biannually organized Electronica Production Technologies Fair 2012 at Munich, Germany, between 13th to 16th November 2012.



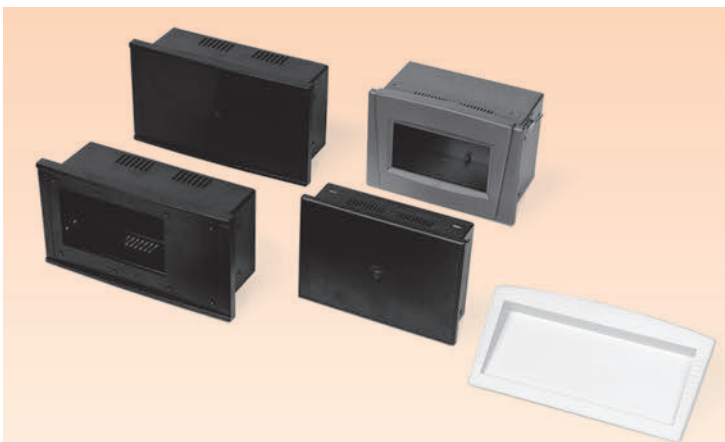
WALL MOUNT ENCLOSURES

Page 12



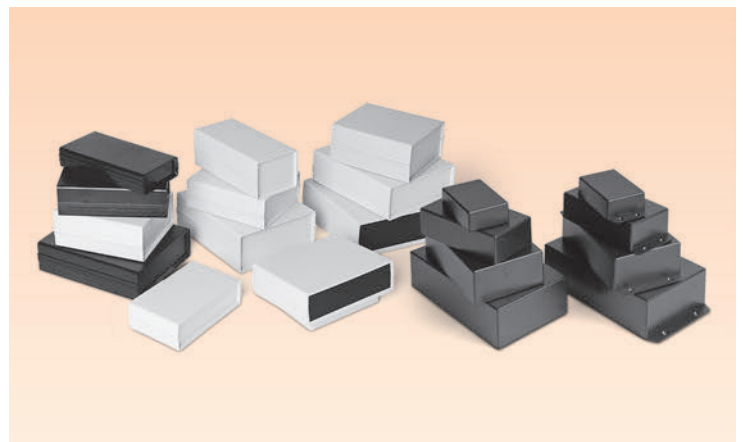
SLOPED DESKTOP ENCLOSURES

Page 15



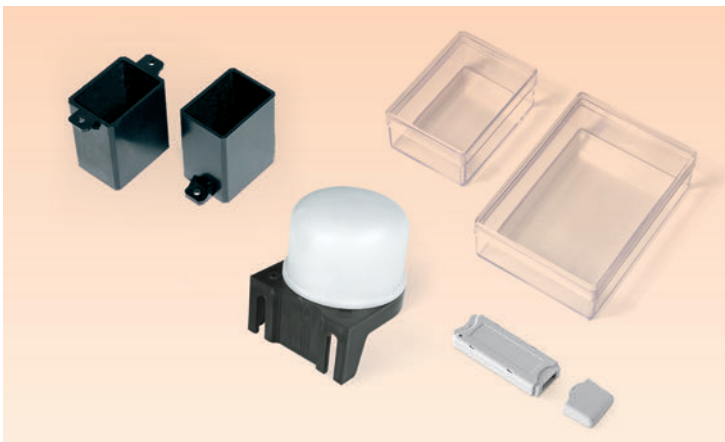
OPERATOR PANEL ENCLOSURES

Page 25



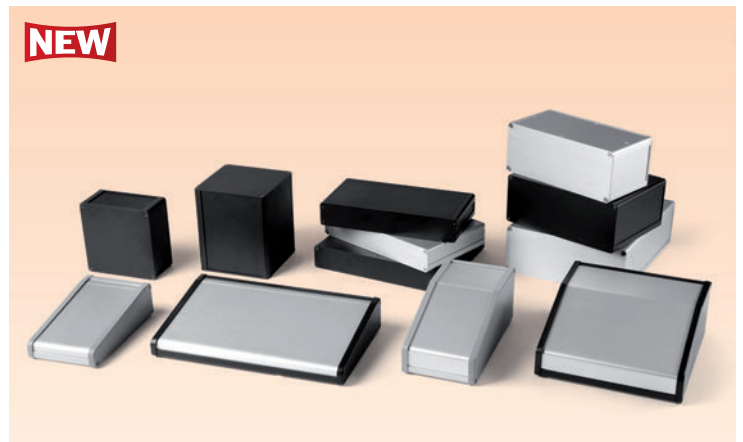
PLASTIC PROJECT ENCLOSURES

Page 26



OTHER ENCLOSURES

Page 31



MODULAR METAL ENCLOSURES

Page 32

Plastic&Aluminium 19" Rack Mount Enclosures

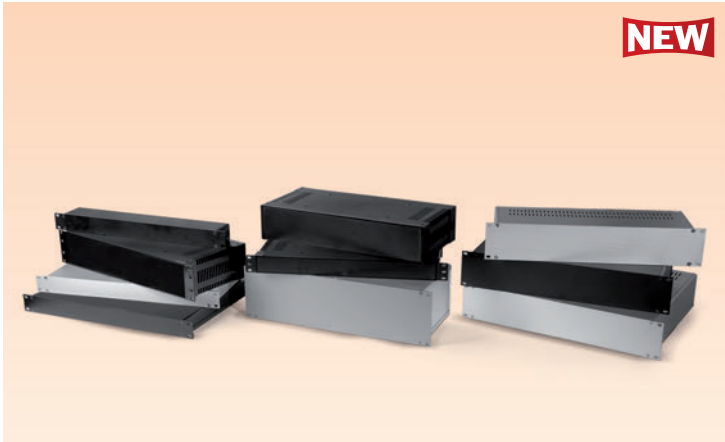
NEW 19" standardized rack enclosures had been released. You can check them on page 34.



NEW Standoffs

Our plastic and brass made standoffs has NEW sizes and diameters. You can check them on page 58 or online on our website www.altinkaya.eu

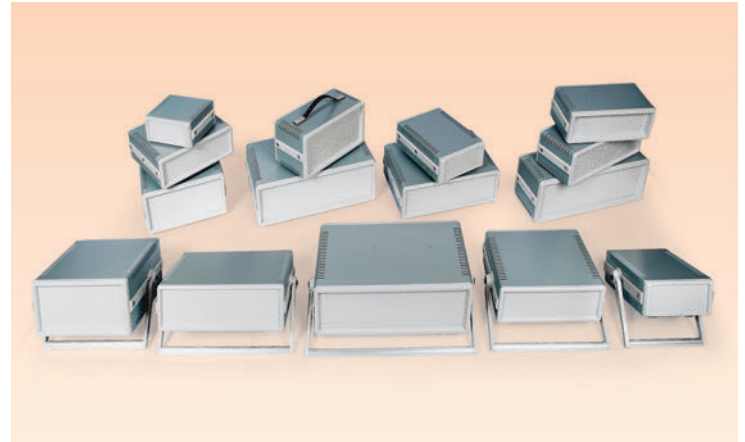




NEW

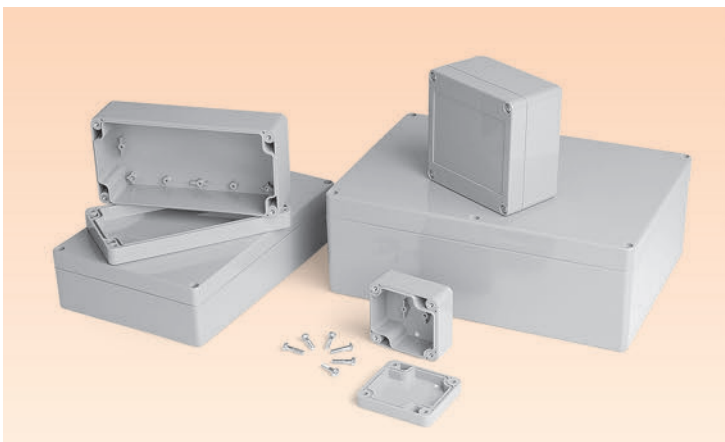
19" RACK ENCLOSURES

Page 34



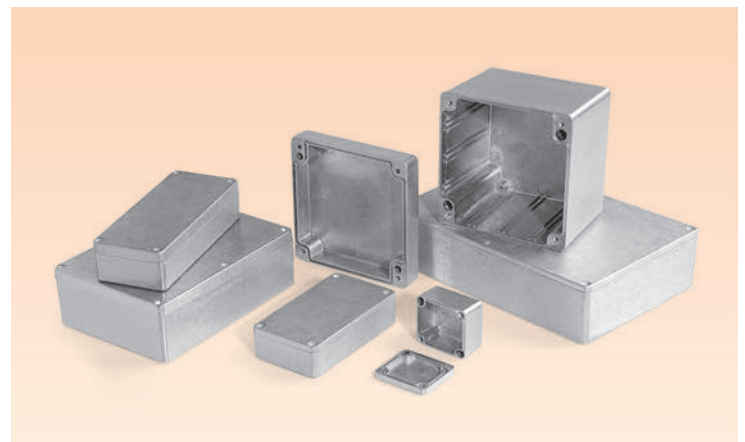
ALUMINIUM INSTRUMENT ENCLOSURES

Page 36



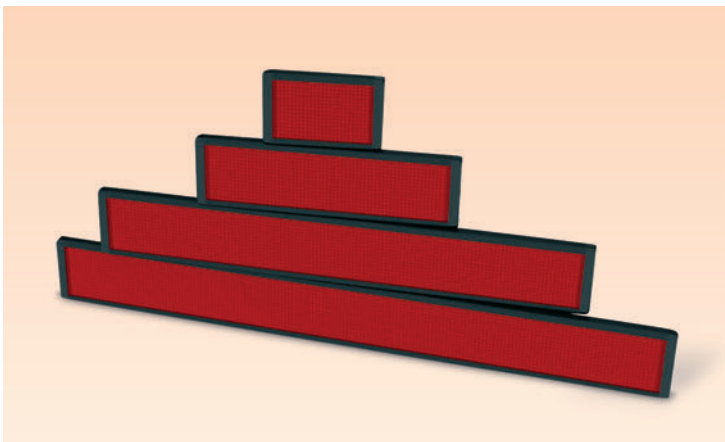
IP-65 HEAVY DUTY ENCLOSURES

Page 43



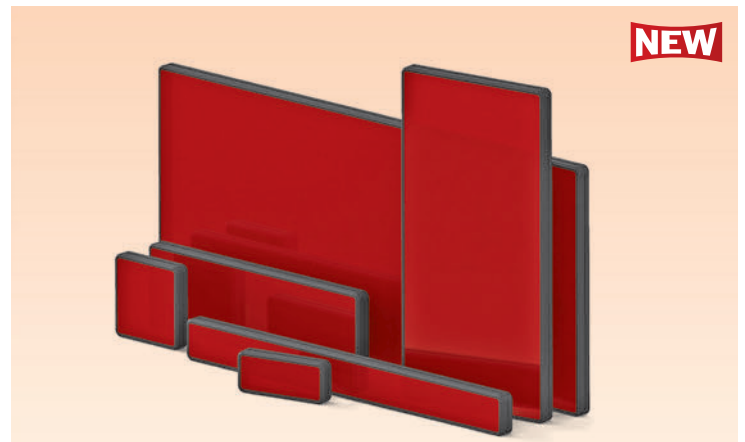
IP65 DIECAST ENCLOSURES

Page 44



PROFILE DISPLAY ENCLOSURES

Page 48



NEW

MODULAR DISPLAY ENCLOSURES

Page 49



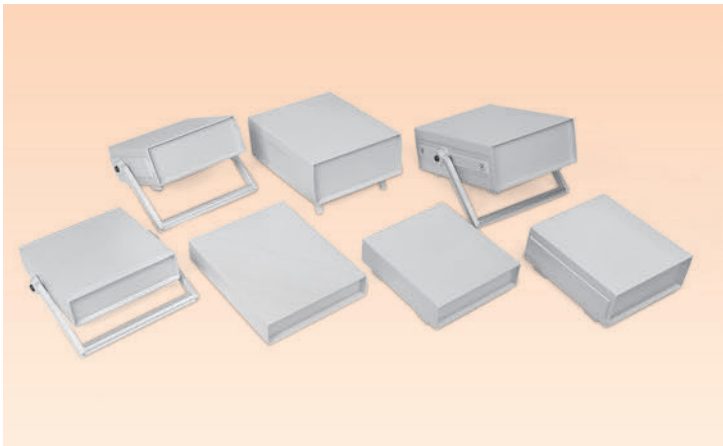
CABLE GLANDS

Page 56

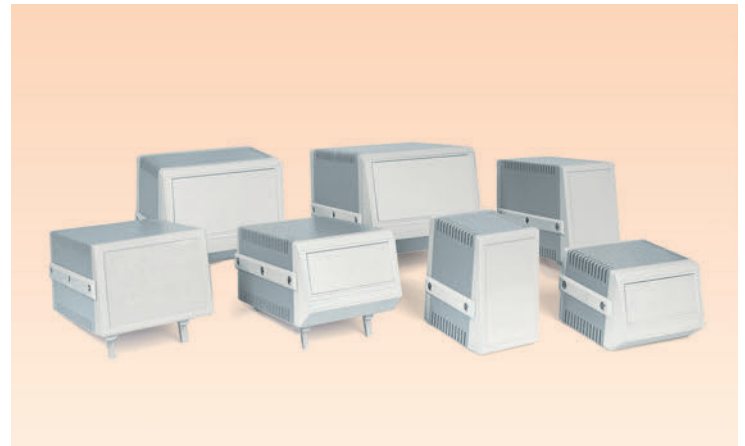


STANDOFFS

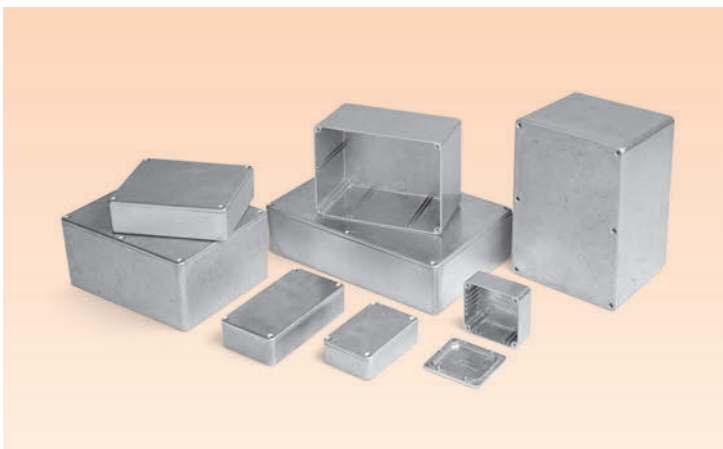
Page 58



PLASTIC INSTRUMENT ENCLOSURES Page 39



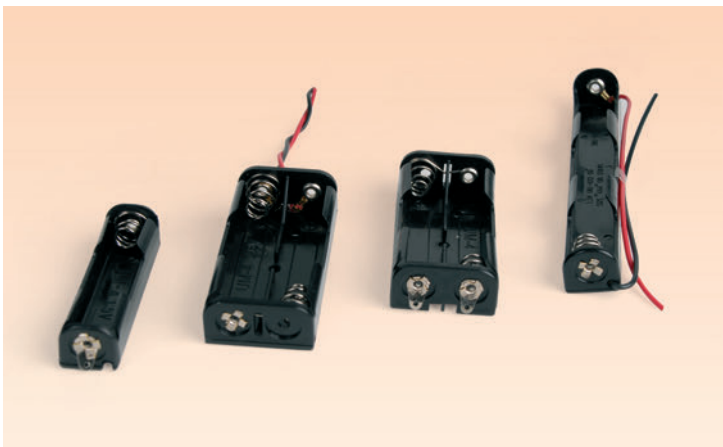
SLOPED INSTRUMENT ENCLOSURES Page 40



DIECAST ENCLOSURES Page 45



DISPLAY ENCLOSURES Page 46



BATTERY HOLDERS Page 50



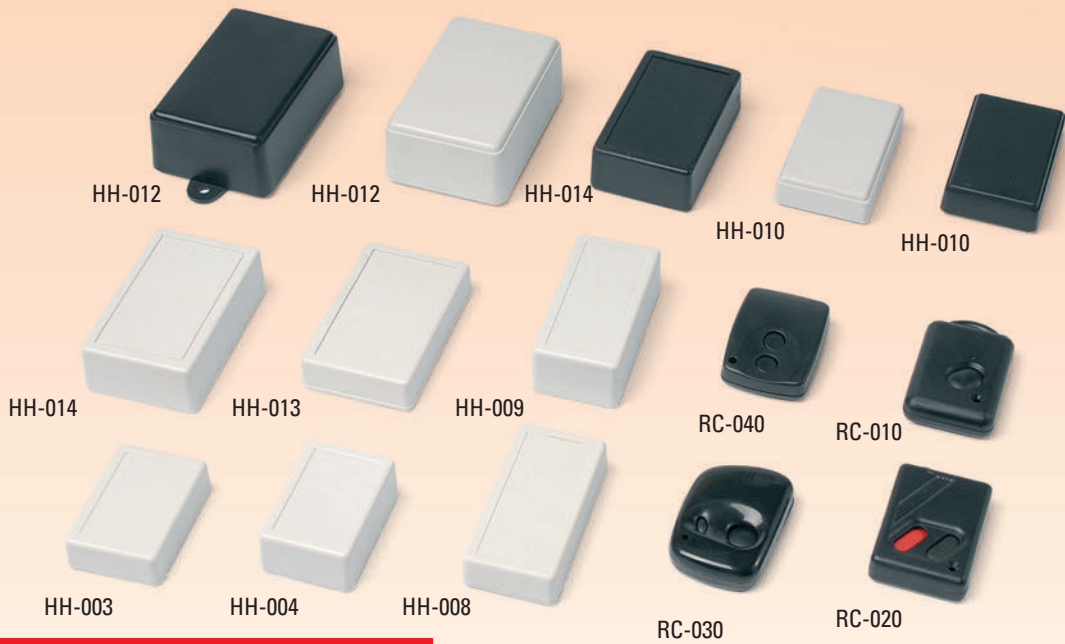
COIN CELL HOLDERS Page 54



COMPONENTS Page 56



CNC CUTTING Page 1



POCKET SIZE ENCLOSURES



RC-010

RC-020

RC-030

RC-010

ONE BUTTON
35 x 50 mm

POCKET SIZE ENCLOSURES

RC-020

TWO BUTTONS
35 x 50 mm

MATERIAL	ABS
COLOR	BLACK
PACKAGING	50 PCS/BOX

RC-030

ONE BUTTON OVAL
37 x 52 mm

BUTTON COLOR OPTIONS

RED / BLACK

SUITABLE ACCESSORIES

A-934 PHOSPHOR BRONZE BATTERY CONTACT

NEW



RC-040

RC-040-A

TWO BUTTONS
50 x 36 x 14 mm

POCKET SIZE ENCLOSURES

RC-040-B

ONE (UP) BUTTON
50 x 36 x 14 mm

MATERIAL	ABS
COLOR	BLACK
PACKAGING	50 PCS/BOX

RC-040-C

ONE (DOWN) BUTTON
50 x 36 x 14 mm

SUITABLE ACCESSORIES

BC-2002 CR-2032 BATTERY HOLDER

RC-040-D

NO BUTTONS
50 x 36 x 14 mm

HH-003

35 x 50 x 15 mm

HANDHELD ENCLOSURES

HH-004

35 x 50 x 20 mm

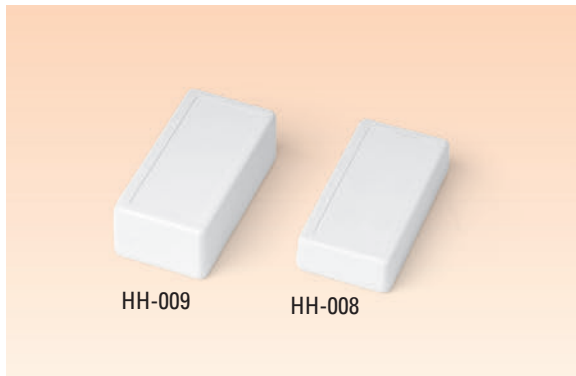
MATERIAL	ABS
COLOR	LIGHT GRAY / BLACK
PACKAGING	20 PCS/BOX

• WALL MOUNTABLE MODELS ON P.12-13



HH-004

HH-003



HH-008

35 x 70 x 15 mm

HANDHELD ENCLOSURES

HH-009

35 x 70 x 23 mm

MATERIAL	ABS
COLOR	LIGHT GRAY / BLACK
PACKAGING	20 PCS/BOX

• WALL MOUNTABLE MODELS ON P.12-13



HH-013

45 x 72,5 x 15 mm

HANDHELD ENCLOSURES

MATERIAL	ABS
COLOR	LIGHT GRAY / BLACK
PACKAGING	20 PCS/BOX

• WALL MOUNTABLE MODELS ON P.12-13



HH-014

45 x 72,5 x 23 mm

HANDHELD ENCLOSURES

MATERIAL	ABS
COLOR	LIGHT GRAY / BLACK
PACKAGING	20 PCS/BOX

• WALL MOUNTABLE MODELS ON P.12-13

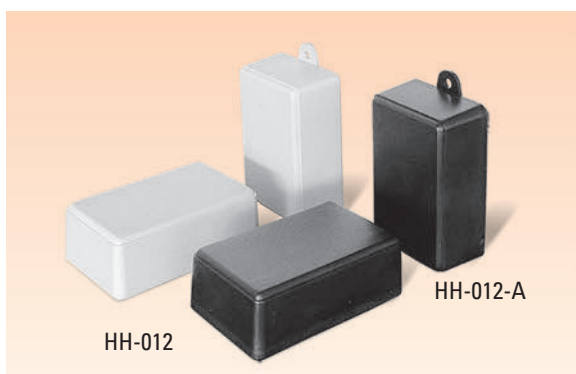


HH-010

41 x 66 x 16 mm

HANDHELD ENCLOSURES

MATERIAL	ABS	SUITABLE ACCESSORIES
COLOR	LIGHT GRAY / BLACK	A-58 CLICK WALL MOUNT
PACKAGING	50 PCS/BOX	A-59 WALL MOUNT EAR



HH-012

STANDARD
54 x 84 x 32 mm

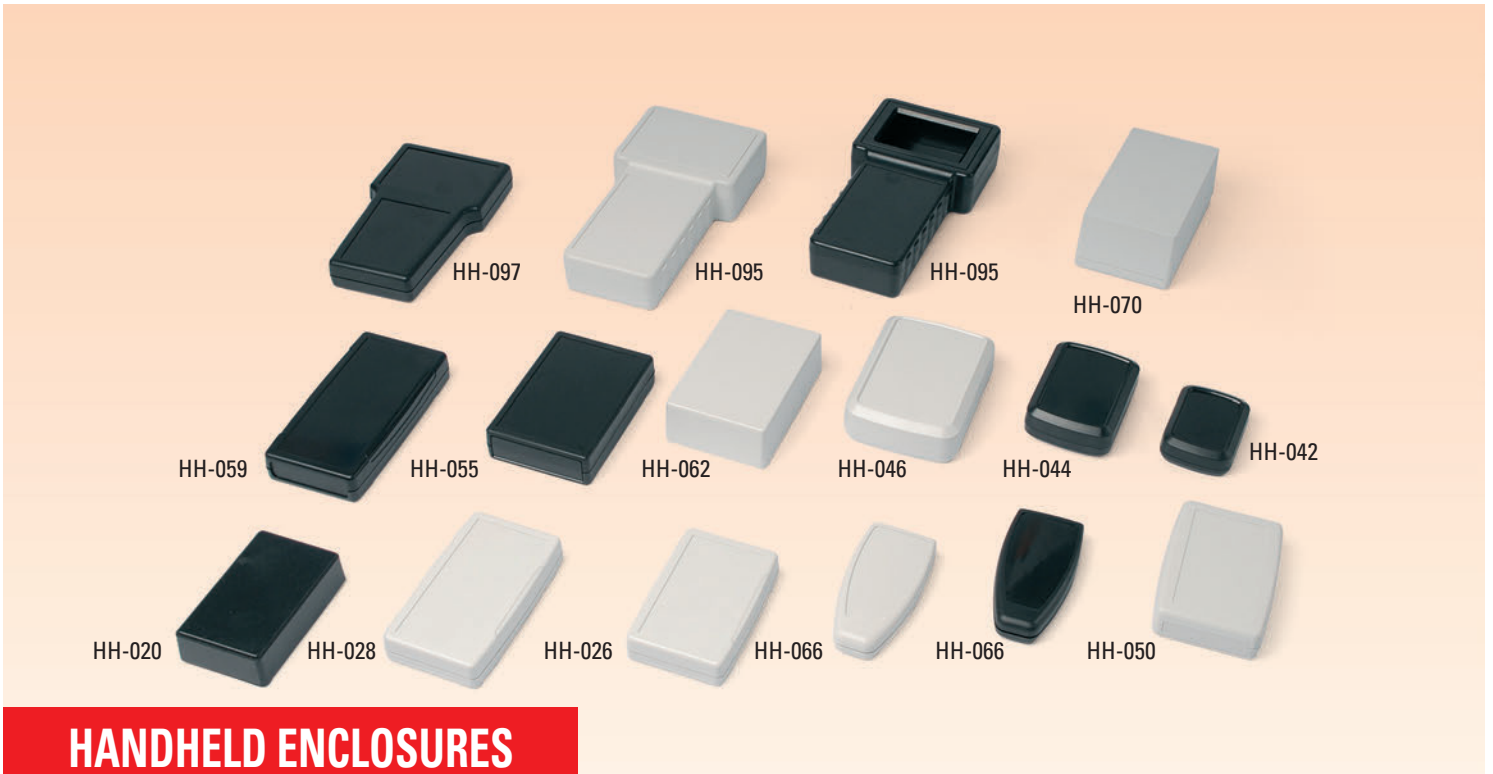
HANDHELD ENCLOSURES

HH-012 -A

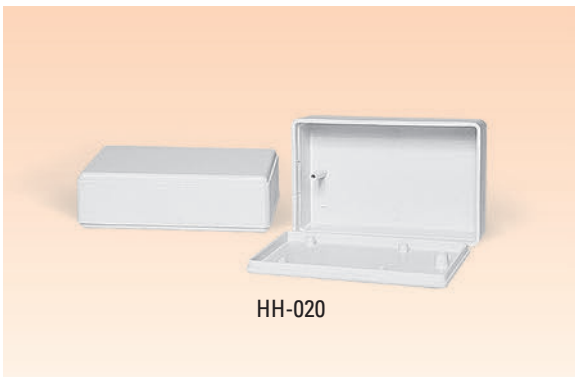
W/ WALL MOUNT

SUITABLE ACCESSORIES
A-58 CLICK WALL MOUNT
A-59 WALL MOUNT EAR

MATERIAL	ABS
COLOR	LIGHT GRAY / BLACK
PACKAGING	50 PCS/BOX



HANDHELD ENCLOSURES



HH-020	58 x 92 x 27 mm	HANDHELD ENCLOSURES
MATERIAL	ABS	SUITABLE ACCESSORIES
COLOR	LIGHT GRAY / BLACK	A-58 CLICK WALL MOUNT
PACKAGING	50 PCS/BOX	A-59 WALL MOUNT EAR



NEW

HH-026	100 x 68 x 22 mm	POCKET SIZE ENCLOSURES
MATERIAL	ABS	SUITABLE ACCESSORIES
COLOR	LIGHT GRAY / BLACK	BATTERY CONTACT SET
BATTERY HOLDER	2XAA or 9V	A-58 CLICK WALL MOUNT
PACKAGING	50 PCS/BOX	A-190 BELT CLIP



NEW

HH-028	115 x 68 x 22 mm	POCKET SIZE ENCLOSURES
MATERIAL	ABS	SUITABLE ACCESSORIES
COLOR	LIGHT GRAY / BLACK	BATTERY CONTACT SET
BATTERY HOLDER	3XAA	A-58 CLICK WALL MOUNT
PACKAGING	50 PCS/BOX	A-190 BELT CLIP



HH-042 69,5x 50,5 x 21 mm **HANDHELD ENCLOSURES**

MATERIAL	ABS	SUITABLE ACCESSORIES
COLOR	LIGHT GRAY / BLACK	A-58 CLICK WALL MOUNT
PACKAGING	50 PCS/BOX	A-59 WALL MOUNT EAR
		A-190 BELT CLIP



HH-044 88,5 x 63 x 27,5 mm **HANDHELD ENCLOSURES**

MATERIAL	ABS	SUITABLE ACCESSORIES
COLOR	LIGHT GRAY / BLACK	A-58 CLICK WALL MOUNT
PACKAGING	50 PCS/BOX	A-59 WALL MOUNT EAR
		A-190 BELT CLIP



HH-045 95 x 62 x 22 mm **HANDHELD ENCLOSURES**

MATERIAL	ABS	SUITABLE ACCESSORIES
COLOR	LIGHT GRAY / BLACK	A-58 CLICK WALL MOUNT
PACKAGING	50 PCS/BOX	A-59 WALL MOUNT EAR
BATTERY HOLDER	2xAAA	A-190 BELT CLIP



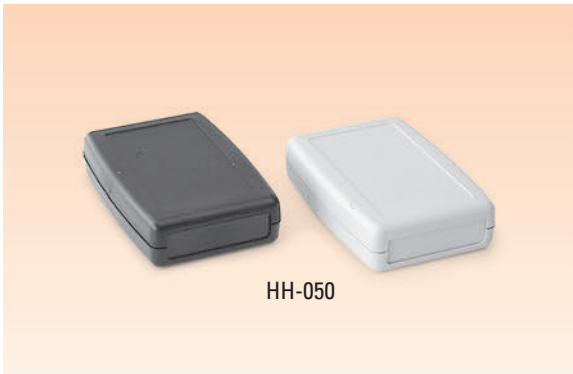
HH-046 115 x 83 x 32 mm **HANDHELD ENCLOSURES**

MATERIAL	ABS	SUITABLE ACCESSORIES
COLOR	LIGHT GRAY / BLACK	A-58 CLICK WALL MOUNT
PACKAGING	50 PCS/BOX	A-59 WALL MOUNT EAR
		A-190 BELT CLIP



HH-047 116,5 x 104,5 x 32 mm **HANDHELD ENCLOSURES**

MATERIAL	ABS	SUITABLE ACCESSORIES
COLOR	LIGHT GRAY / BLACK	A-58 CLICK WALL MOUNT
PACKAGING	50 PCS/BOX	A-59 WALL MOUNT EAR
		A-190 BELT CLIP

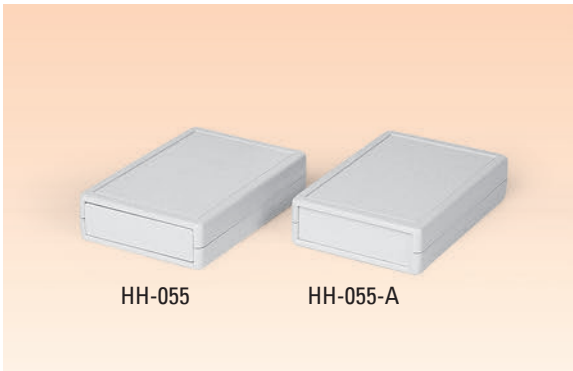


HH-050

72 x 104 x 26 mm

HANDHELD ENCLOSURES

MATERIAL	ABS	SUITABLE ACCESSORIES
COLOR	LIGHT GRAY / BLACK	A-58 CLICK WALL MOUNT
PACKAGING	10 PCS/BOX	A-190 BELT CLIP



HH-055

STANDARD
76 x 112 x 26 mm

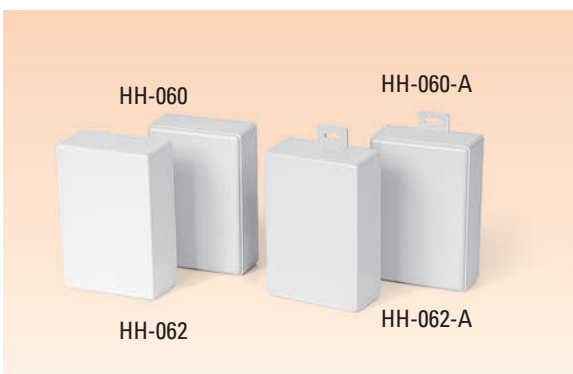
HANDHELD ENCLOSURES

HH-055-B

CURVED PANEL

PANEL OPTIONS
FLAT PANEL/ CURVED PANEL

MATERIAL	ABS	SUITABLE ACCESSORIES
COLOR	LIGHT GRAY / BLACK	A-58 CLICK WALL MOUNT
PACKAGING	10 PCS/BOX	A-59 WALL MOUNT EAR
		A-190 BELT CLIP



HH-060

75 x 110 x 36 mm
(2 SCREWS)

HANDHELD ENCLOSURES

HH-062

75 x 110 x 36 mm
(4 SCREWS)

MATERIAL	ABS
COLOR	LIGHT GRAY / BLACK
PACKAGING	50 PCS/BOX

HH-060-A

W/ MOUNTING EAR
(2 SCREWS)

HH-062-A

W/ MOUNTING EAR
(4 SCREWS)

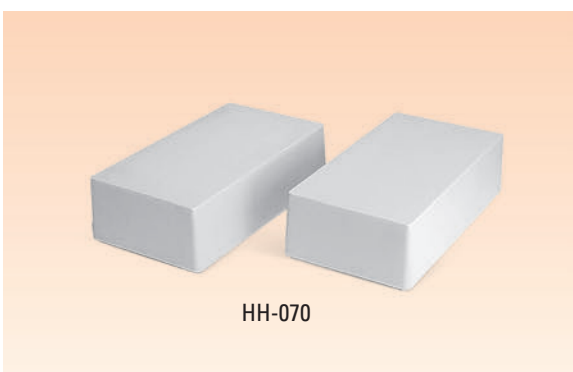


HH-066

STANDARD
100 x 50 x 18 mm

HANDHELD ENCLOSURES

MATERIAL	ABS	SUITABLE ACCESSORIES
COLOR	LIGHT GRAY / BLACK	A-190 BELT CLIP
PACKAGING	50 PCS/BOX	



HH-070

76 x 136 x 50 mm

HANDHELD ENCLOSURES

MATERIAL	ABS	SUITABLE ACCESSORIES
COLOR	LIGHT GRAY / BLACK	A-58 CLICK WALL MOUNT
PACKAGING	20 PCS/BOX	A-59 WALL MOUNT EAR



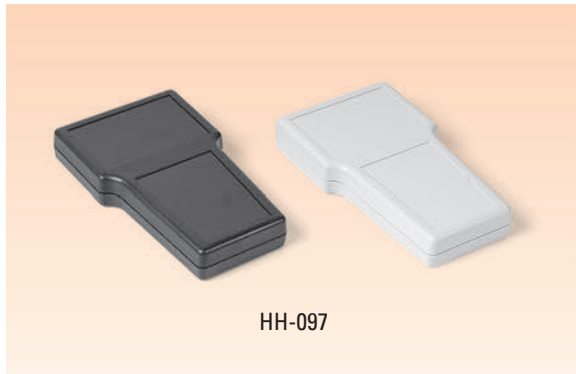
NEW

HH-059

133,5 x 70 x 24 mm

POCKET SIZE ENCLOSURES

MATERIAL	ABS	SUITABLE ACCESSORIES
COLOR	LIGHT GRAY / BLACK	BATTERY CONTACT SET
BATTERY HOLDER	2XAA or 9V	A-58 CLICK WALL MOUNT
PACKAGING	50 PCS/BOX	A-190 BELT CLIP

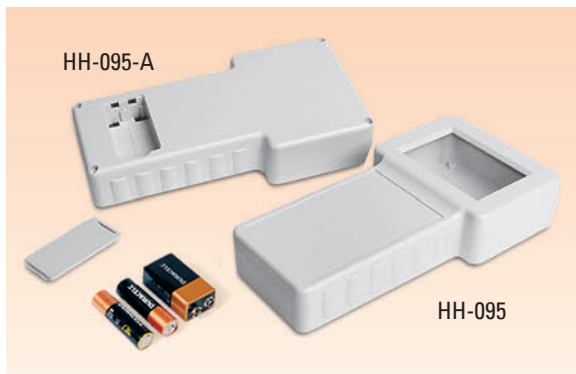


HH-097

160 x 94 x 25 mm

HANDHELD ENCLOSURES

MATERIAL	ABS	SUITABLE ACCESSORIES
COLOR	LIGHT GRAY / BLACK	A-58 CLICK WALL MOUNT
PACKAGING	10 PCS/BOX	A-190 BELT CLIP



HH-095

STANDARD
105 x 201 x 41 mm

POCKET SIZE ENCLOSURES

HH-095-A

W/ BATTERY HOLDER
105 x 201 x 41 mm

MATERIAL	ABS
COLOR	LIGHT GRAY / BLACK
PANEL	GRAY / CLEAR / BLACK
BATTERY HOLDER	2xAA or 9V
PACKAGING	10 PCS/BOX

SUITABLE ACCESSORIES
A-932 2xAA BATTERY CONTACT SET
A-204 9V BATTERY CONTACT
A-190 BELT CLIP

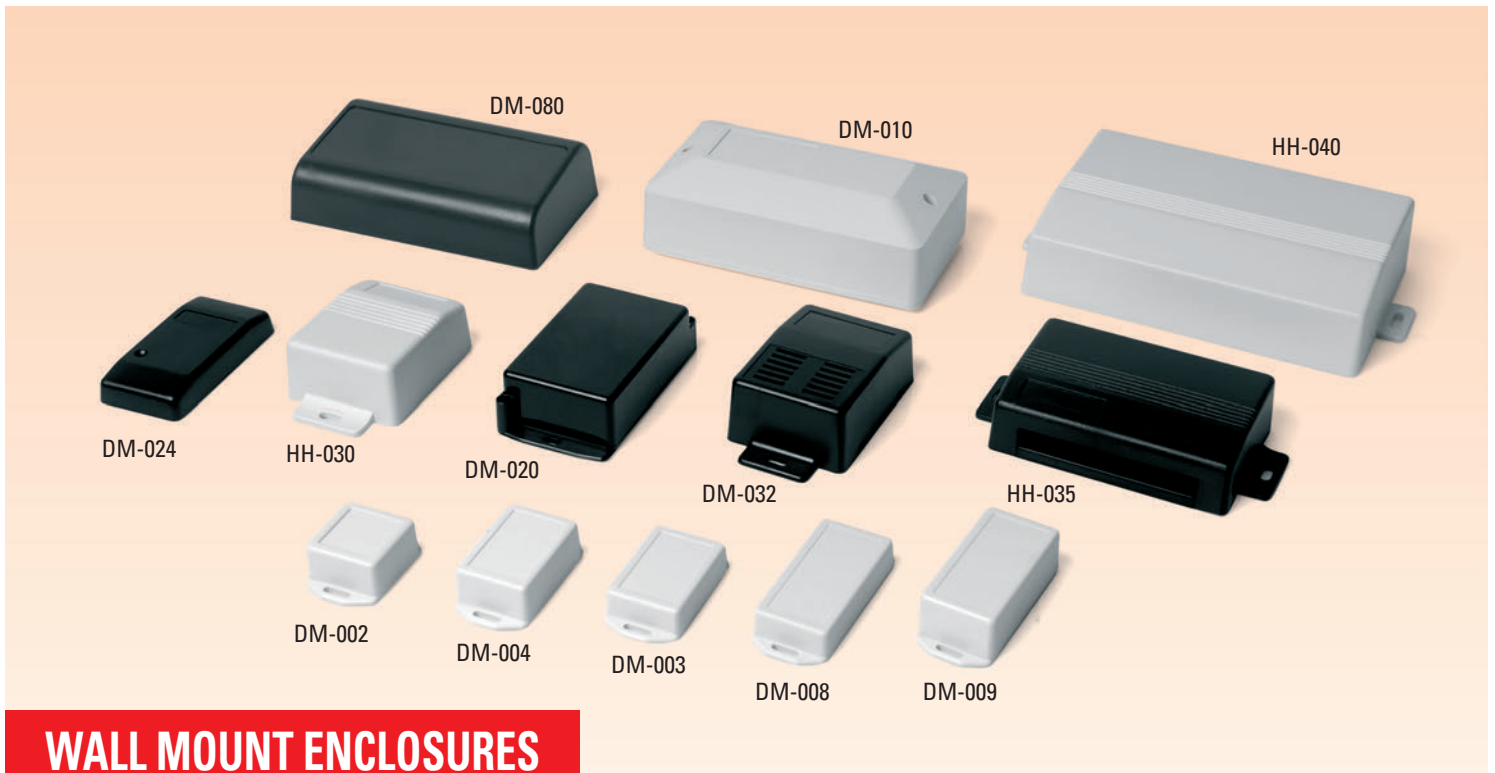


A-662

YCB PLS COMBI PCB SCREW
2,5 x 5 mm

PCB MOUNTING SCREW

SURFACE	NICKEL PLATING	RECOMMENDED PCB HOLE DIA	3mm
SCREW HEAD	COMBI	RECOMMENDED PCB PAD DIA	5mm
THREAD TYPE	PLASTIC	PLASTIC HOLE DIA	1.8 - 2.1 mm
PCS IN PACK	500 PCS		



WALL MOUNT ENCLOSURES

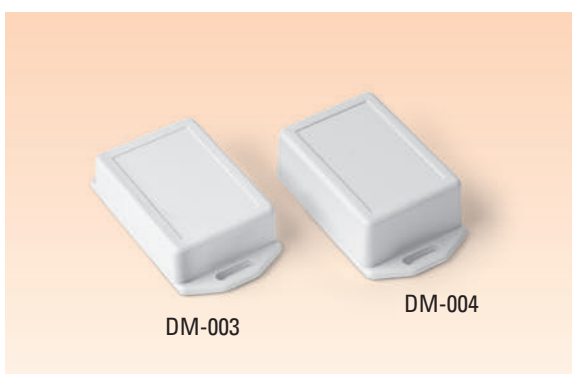


DM-002

35 x 50 x 20 mm

WALL MOUNT ENCLOSURES

MATERIAL	ABS
COLOR	LIGHT GRAY / BLACK
PACKAGING	20 PCS/BOX



DM-003

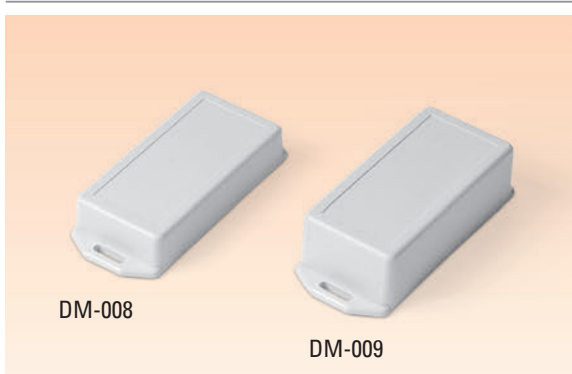
35 x 65 x 15,3 mm

WALL MOUNT ENCLOSURES

DM-004

35 x 65 x 20,3 mm

MATERIAL	ABS
COLOR	LIGHT GRAY / BLACK
PACKAGING	20 PCS/BOX



DM-008

35 x 85 x 15,3 mm

WALL MOUNT ENCLOSURES

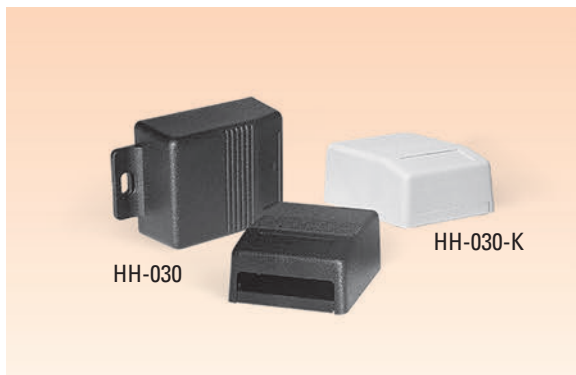
DM-009

35 x 85 x 23,3 mm

MATERIAL	ABS
COLOR	LIGHT GRAY / BLACK
PACKAGING	20 PCS/BOX



DM-024	44 x 84 x 15 mm	WALL MOUNT ENCLOSURES
ENCLOSURE FOR PROXIMITY CARD READER		
MATERIAL	ABS	
COLOR	BLACK / LIGHT GRAY	
PACKAGING	20 PCS/BOX	

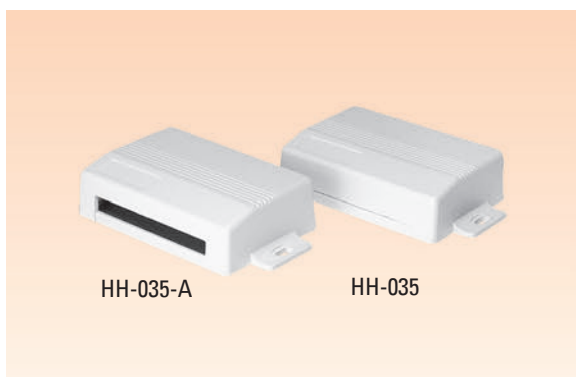


HH-030	61 x 75 x 33 mm	WALL MOUNT ENCLOSURES
HH-030-K	W/O TERMINAL WINDOW	
HH-030-A	W/ TERMINAL WINDOW	
MATERIAL	ABS	
COLOR	LIGHT GRAY / BLACK	
PACKAGING	50 PCS/BOX	



DM-032	61 x 86 x 32 mm	WALL MOUNT ENCLOSURES
DM-032-K	W/O TERMINAL WINDOW	
DM-032-A	W/ TERMINAL WINDOW	
MATERIAL	ABS	
COLOR	LIGHT GRAY / BLACK	
PACKAGING	20 PCS/BOX	


• OPTIONAL VENTILATION



HH-035	143 x 76 x 32 mm	WALL MOUNT ENCLOSURES
HH-035-K	W/O TERMINAL WINDOW	
HH-035-A	W/ TERMINAL WINDOW	
MATERIAL	ABS	
COLOR	LIGHT GRAY / BLACK	
PACKAGING	50 PCS/BOX	



DM-020	58 x 106 x 32 mm	WALL MOUNT ENCLOSURES
MATERIAL	ABS	
COLOR	LIGHT GRAY / BLACK	
PACKAGING	20 PCS/BOX	




DM-022

NEW

DM-022 122 x 60 x 34 mm **WALL MOUNT ENCLOSURES**

MATERIAL	ABS
COLOR	LIGHT GRAY / BLACK
PACKAGING	20 PCS/BOX



DM-010

DM-010 86 x 155 x 49 mm **WALL MOUNT ENCLOSURES**

MATERIAL	ABS
COLOR	LIGHT GRAY / BLACK
PACKAGING	10 PCS/BOX

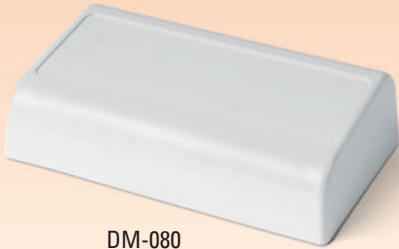


DM-050

NEW

DM-050 STANDARD
116 x 96 x 65 mm **WALL MOUNT ENCLOSURES**

MATERIAL	ABS
COLOR	LIGHT GRAY / BLACK
PACKAGING	10 PCS/BOX




DM-080

NEW

DM-080 145 x 85 x 39 mm **WALL MOUNT ENCLOSURES**

MATERIAL	ABS
COLOR	LIGHT GRAY / BLACK
PACKAGING	10 PCS/BOX

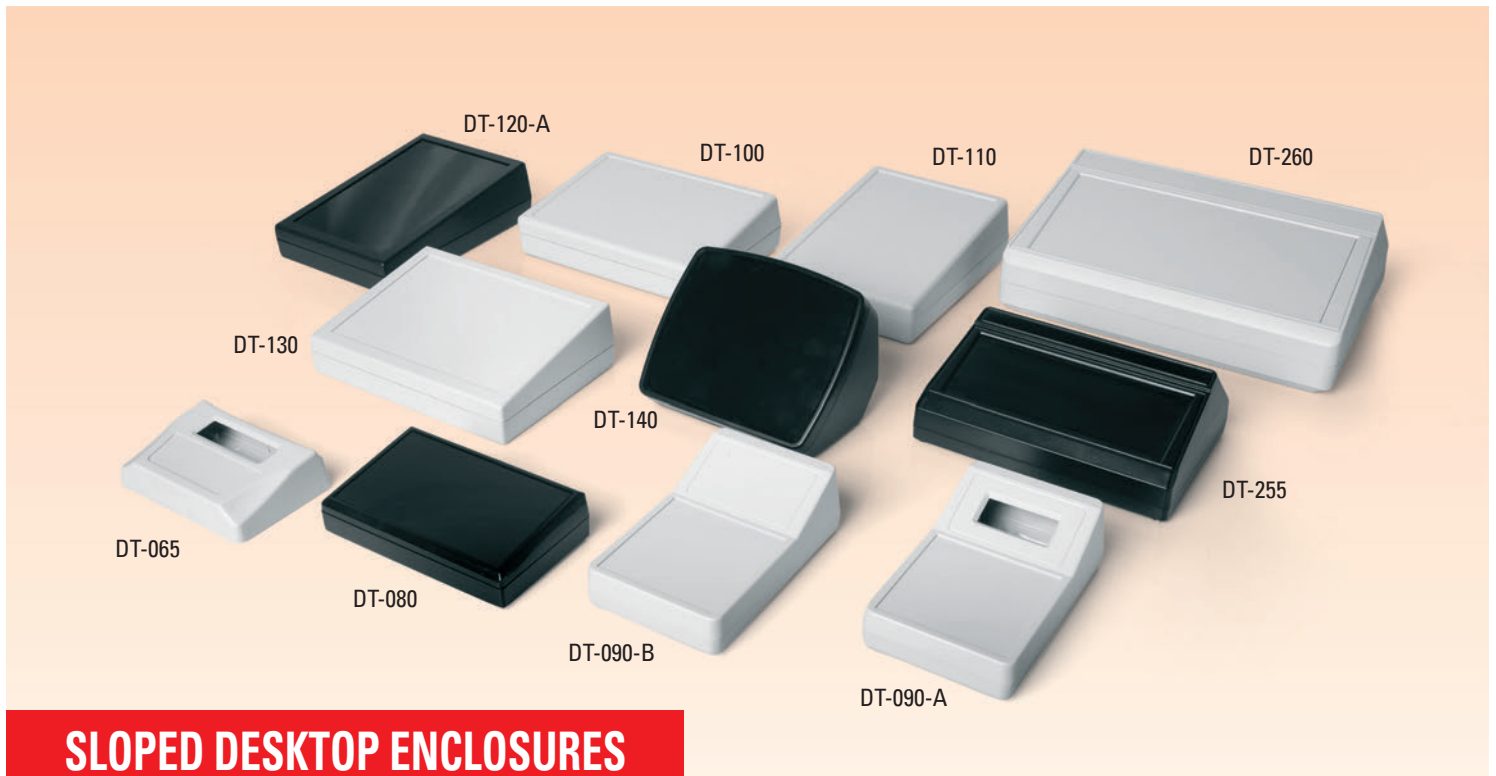


HH-040-A HH-040


HH-040 STANDARD
175 x 115 x 44 mm **WALL MOUNT ENCLOSURES**

HH-040-A W/ WALL MOUNT

MATERIAL	ABS
COLOR	LIGHT GRAY / BLACK
PACKAGING	10 PCS/BOX



SLOPED DESKTOP ENCLOSURES



DT-065


WALL MOUNTABLE

NEW

DT-065 120 x 80 x 31 mm **SLOPED DESKTOP ENCLOSURES**

MATERIAL	ABS
COLOR	LIGHT GRAY / BLACK
PACKAGING	10 PCS/BOX

• WINDOW FOR 2x16 LCD SCREEN




DT-080

DT-080 148 x 87 x 38 mm **SLOPED DESKTOP ENCLOSURES**

MATERIAL	ABS
COLOR	LIGHT GRAY / BLACK
PACKAGING	10 PCS/BOX

SUITABLE ACCESSORIES

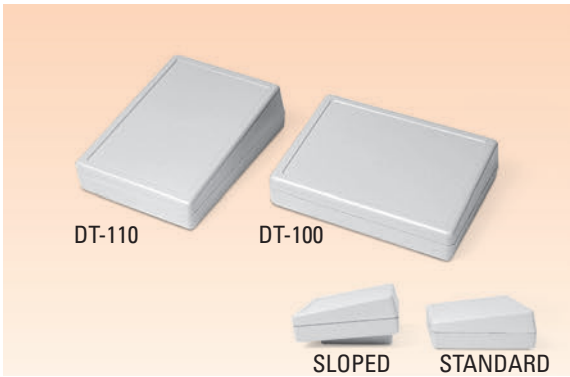
A-58 CLICK WALL MOUNT
A-59 WALL MOUNT EAR



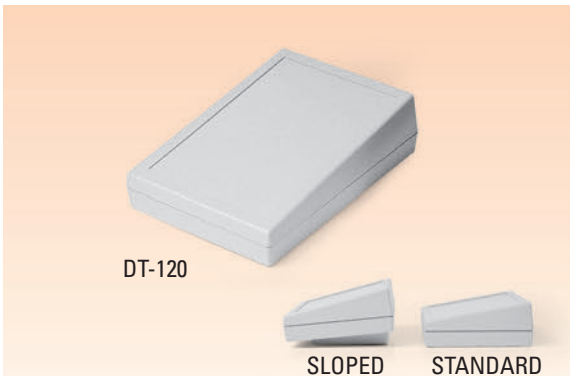
DT-090-A DT-090-B

DT-090 150 x 95 x 49,5 mm **SLOPED DESKTOP ENCLOSURES**

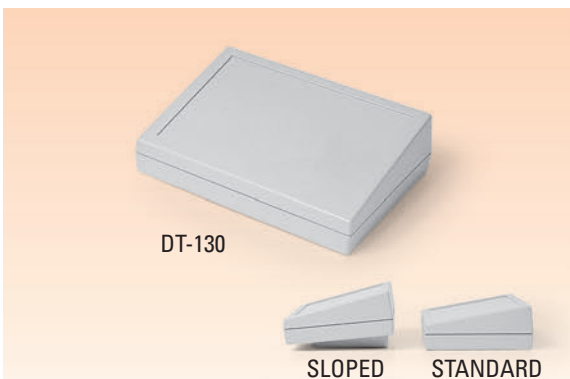
DT-090-A	OPEN LCD PANEL	SUITABLE ACCESSORIES
DT-090-B	CLOSED LCD PANEL	
MATERIAL	ABS	
COLOR	LIGHT GRAY	
PACKAGING	10 PCS/BOX	



DT-100	190 x 137 x 59 mm	SLOPED DESKTOP ENCLOSURES	
DT-110	137 x 190 x 59 mm	MATERIAL	ABS
		COLOR	LIGHT GRAY / BLACK
		PACKAGING	10 PCS/BOX
DT-100-A	W/ SLOPED BASE	SUITABLE ACCESSORIES	
DT-110-A	W/ SLOPED BASE	A-58 CLICK WALL MOUNT	



DT-120	STANDARD 133 x 188 x 55 mm	SLOPED DESKTOP ENCLOSURES	
DT-120-A	W/ SLOPED BASE	SUITABLE ACCESSORIES	
		A-58 CLICK WALL MOUNT	
	MATERIAL	ABS	
	COLOR	LIGHT GRAY / BLACK	
	PACKAGING	10 PCS/BOX	



DT-130	STANDARD 188 x 133 x 55 mm	SLOPED DESKTOP ENCLOSURES	
DT-130-A	W/ SLOPED BASE	SUITABLE ACCESSORIES	
		A-58 CLICK WALL MOUNT	
	MATERIAL	ABS	
	COLOR	LIGHT GRAY / BLACK	
	PACKAGING	10 PCS/BOX	



DT-140	STANDARD 150 x 125 x 72 mm	SLOPED DESKTOP ENCLOSURES	
DT-140-A	W/ BATTERY HOLDER	SUITABLE ACCESSORIES	
		A-58 CLICK WALL MOUNT	
		A-932 2xAA BATTERY CONTACT SET	
	MATERIAL	ABS	
	COLOR	LIGHT GRAY / BLACK	
	BATTERY HOLDER	2xAA VE 9V APPLICABLE	
	PACKAGING	10 PCS/BOX	



DT-255	188 x 133 x 62 mm	SLOPED DESKTOP ENCLOSURES	
	MATERIAL	ABS	
	COLOR	LIGHT GRAY / BLACK	
	PACKAGING	10 PCS/BOX	
		SUITABLE ACCESSORIES	
		A-58 CLICK WALL MOUNT	



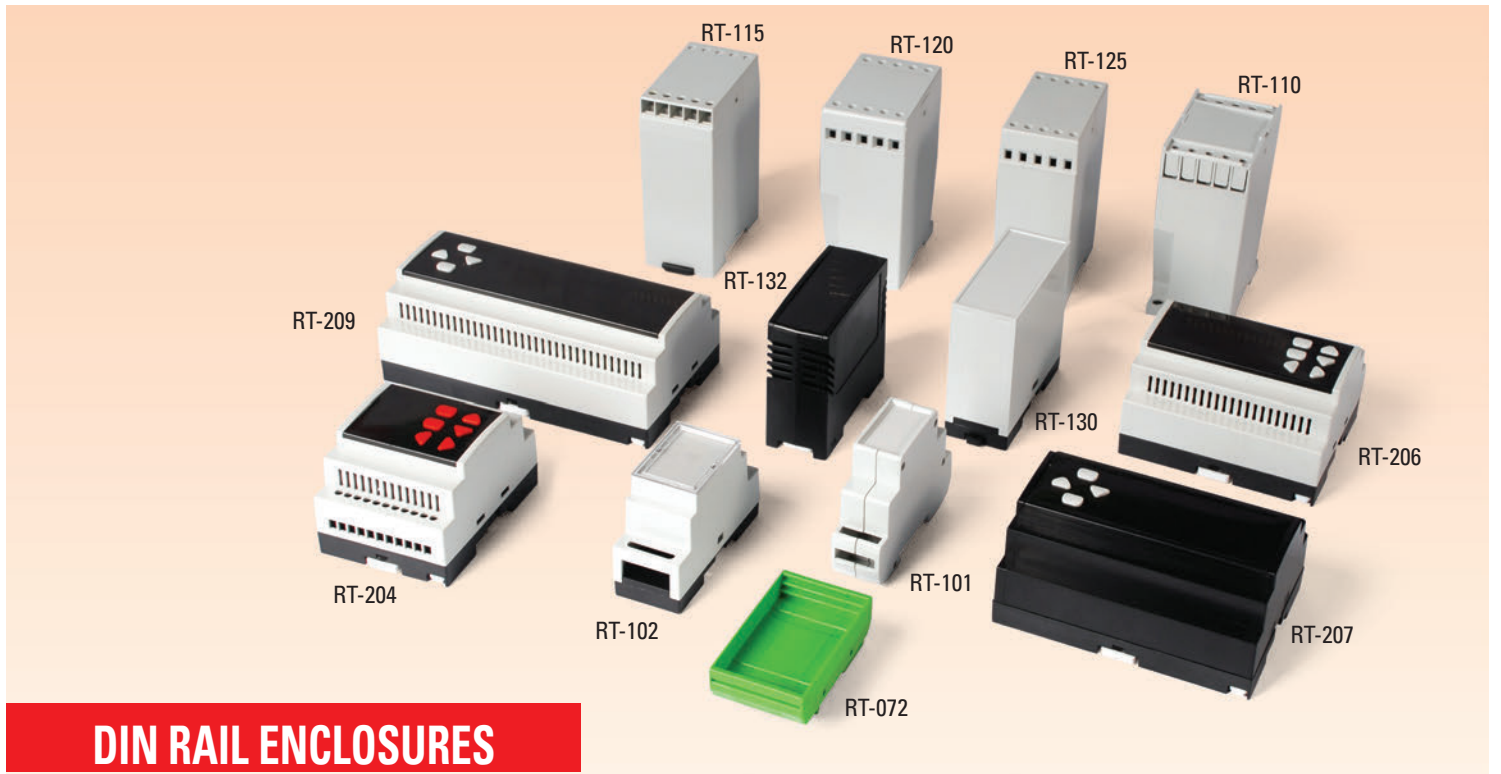
DT-260

DT-260 273 x 200 x 90 mm **SLOPED DESKTOP ENCLOSURES**

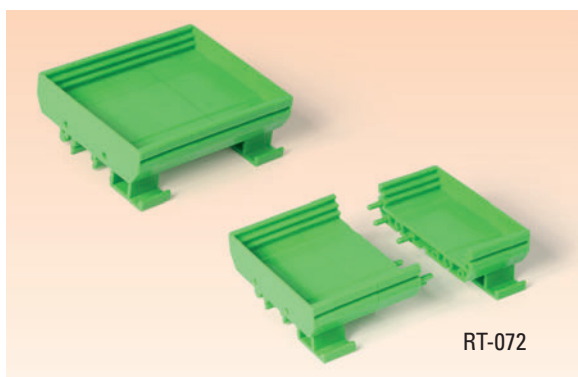
MATERIAL	ABS
COLOR	LIGHT GRAY / BLACK
PACKAGING	5 PCS/BOX

SUITABLE ACCESSORIES

A-58 CLICK WALL MOUNT



DIN RAIL ENCLOSURES



RT-072

RT-072 CARD CRADLE 72 mm WIDE **DIN RAIL ENCLOSURES**

RT-072-1	SIDE CAP
RT-072-2	CARD CRADLE EXTENSION
RT-072-3	CARD CRADLE DIN HOLDER

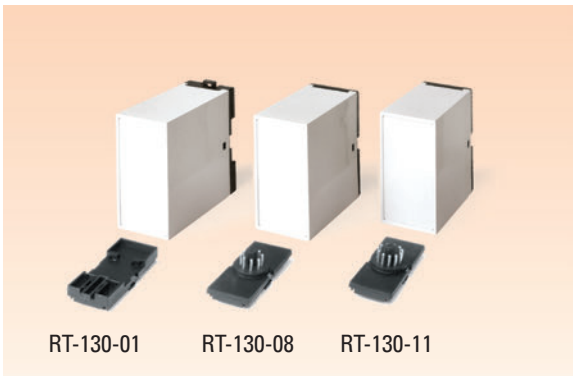
MATERIAL	POLYAMIDE
COLOR	GREEN
PACKAGING	10 PCS/BOX
CARD WIDTH	72 mm or 68 mm
CARD LENGTH	21mm + 22,6x EXTENSION



RT-101

RT-101 90 x 67 x 25 mm **DIN RAIL ENCLOSURES**

MATERIAL	ABS
COLOR	LIGHT GRAY
PACKAGING	50 PCS/BOX



RT-130

STANDARD
36 x 86 x 77 mm

DIN RAIL ENCLOSURES

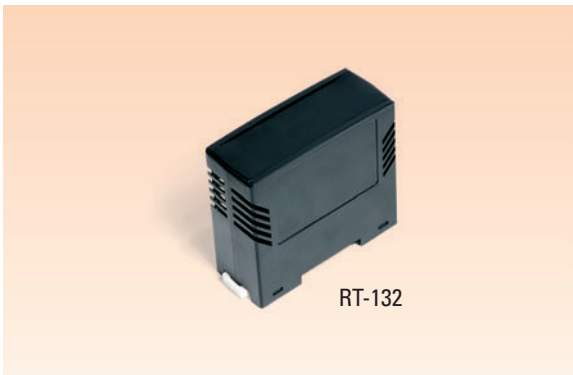
RT-130-08

8 PINS SOCKET TYPE

RT-130-11

11 PINS SOCKET TYPE

MATERIAL	ABS
COLOR	LIGHT GRAY - BLACK
PACKAGING	20 PCS/BOX

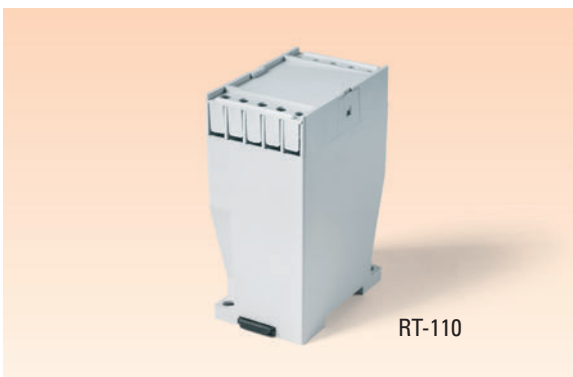


RT-132

36 x 86 x 77 mm

DIN RAIL ENCLOSURES

MATERIAL	ABS
COLOR	BLACK
PANEL	SMOKED / BLACK
PACKAGING	20 PCS/BOX



RT-110

50 x 75 x 110 mm

DIN RAIL ENCLOSURES

MATERIAL	ABS
COLOR	LIGHT GRAY / BLACK
PACKAGING	50 PCS/BOX

SUITABLE ACCESSORIES

A-140 TERMINAL



RT-115

45 x 78 x 110 mm

DIN RAIL ENCLOSURES

MATERIAL	ABS
COLOR	LIGHT GRAY
PACKAGING	50 PCS/BOX

SUITABLE ACCESSORIES

A-144 TERMINAL



RT-120

50 x 75 x 110 mm

DIN RAIL ENCLOSURES

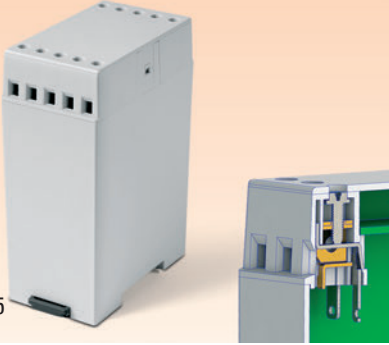
MATERIAL	ABS
COLOR	LIGHT GRAY
PACKAGING	50 PCS/BOX

SUITABLE ACCESSORIES

A-142 TERMINAL

A-143 TERMINAL CAP


NEW



RT-125

RT-125	45 x 78 x 110 mm	DIN RAIL ENCLOSURES	
MATERIAL	ABS		
COLOR	LIGHT GRAY		
PACKAGING	50 PCS/BOX		
SUITABLE ACCESSORIES			
A-146 TERMINAL			
A-147 TERMINAL CAP			

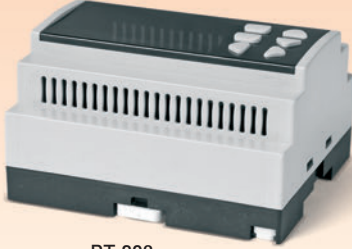
NEW



RT-204

RT-204	70 x 91 x 58,4 mm	DIN RAIL ENCLOSURES	
RT-204-A	ALL CLOSED	MATERIAL	ABS
		COLOR	LIGHT GRAY
RT-204-B	W/ VENTILATION	PANEL	CLEAR / SMOKED / LIGHT GRAY
		PACKAGING	20 PCS/BOX
RT-204-C	FOR SCREW TERMINAL		
RT-204-D	BREAKABLE FOR SOCKET TERMINAL		


NEW



RT-206

RT-206	105 x 91 x 58,4 mm	DIN RAIL ENCLOSURES	
RT-206-A	ALL CLOSED	MATERIAL	ABS
		COLOR	LIGHT GRAY
RT-206-B	W/ VENTILATION	PANEL	CLEAR / SMOKED / LIGHT GRAY
		PACKAGING	20 PCS/BOX
RT-206-C	FOR SCREW TERMINAL		
RT-206-D	BREAKABLE FOR SOCKET TERMINAL		

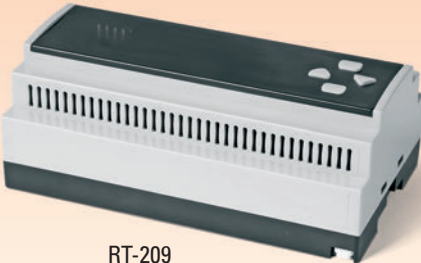
NEW



RT-207

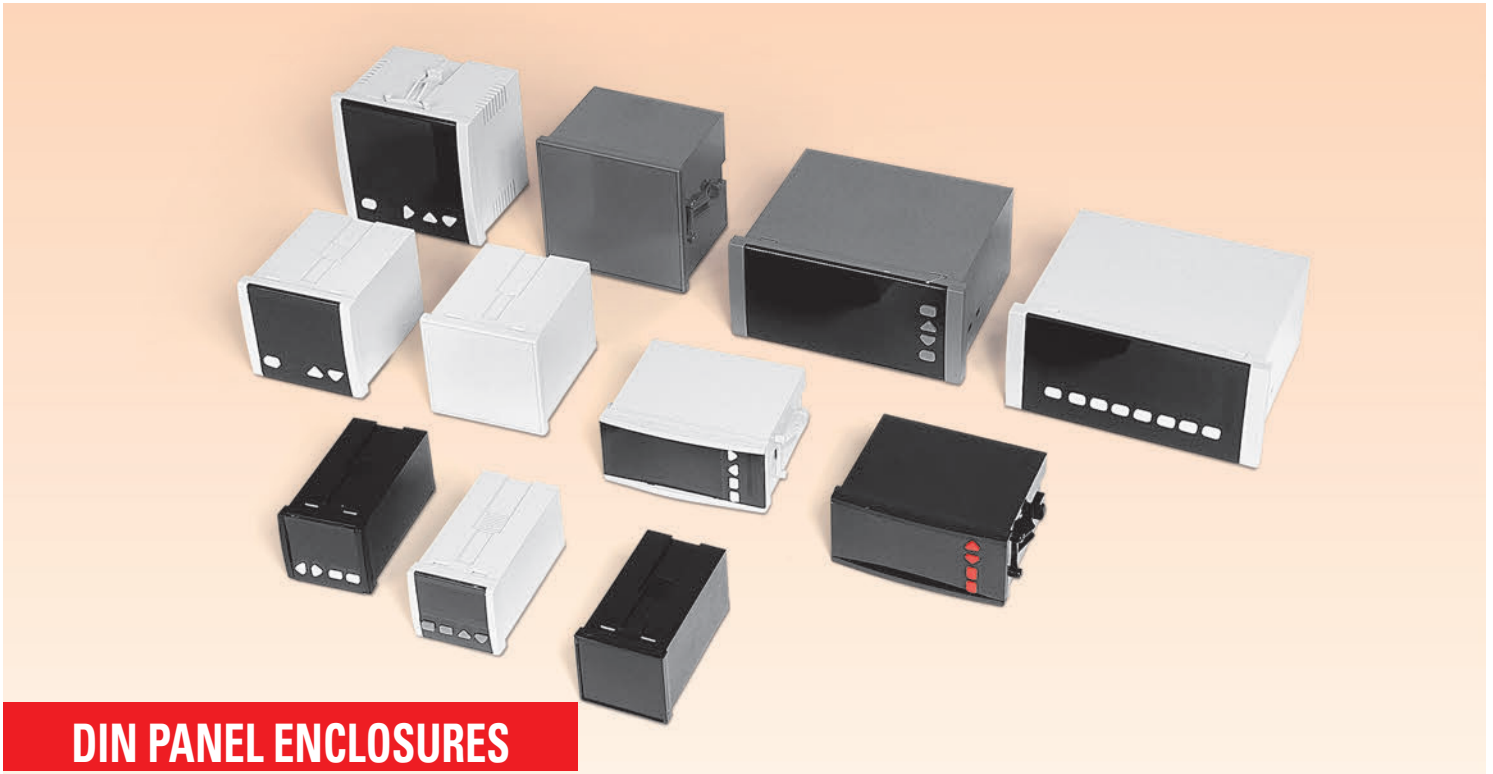
RT-207	122,5 x 91 x 58,4 mm	DIN RAIL ENCLOSURES	
RT-207-A	ALL CLOSED	MATERIAL	ABS
		PANEL	CLEAR / SMOKED / LIGHT GRAY
RT-207-B	W/ VENTILATION	COLOR	LIGHT GRAY / BLACK / DARK GRAY
		PACKAGING	20 PCS/BOX
RT-207-C	FOR SCREW TERMINAL		
RT-207-D	BREAKABLE FOR SOCKET TERMINAL		

NEW



RT-209

RT-209	157,5 x 91 x 58,4 mm	DIN RAIL ENCLOSURES	
RT-209-A	ALL CLOSED	MATERIAL	ABS
		PANEL	CLEAR / SMOKED / LIGHT GRAY
RT-209-B	W/ VENTILATION	COLOR	LIGHT GRAY
		PACKAGING	20 PCS/BOX
RT-209-C	FOR SCREW TERMINAL		
RT-209D	BREAKABLE FOR SOCKET TERMINAL		



DIN PANEL ENCLOSURES



PT-125

PT-125

36 x 72 x 85 mm

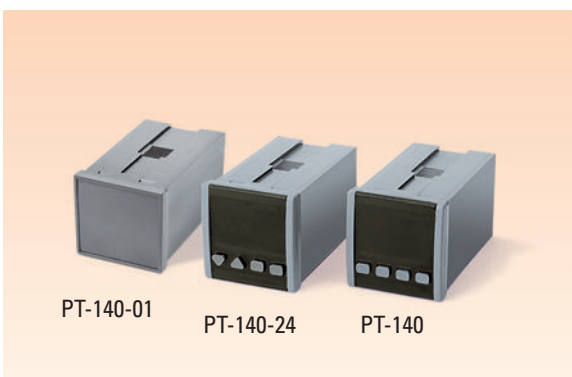
DIN PANEL ENCLOSURES

MATERIAL	ABS
COLOR	LIGHT GRAY / DARK GRAY / BLACK
PACKAGING	20 PCS/BOX

FRONT PANEL OPTIONS

CLEAR / SMOKED

- ORIENTATION OF FRONT PANEL BUTTONS CAN BE CUSTOMISED.



PT-140-01

PT-140-24

PT-140

PT-140-01

48 x 48 x 82 mm

DIN PANEL ENCLOSURES

MATERIAL	ABS
COLOR	LIGHT GRAY / DARK GRAY / BLACK
PACKAGING	20 PCS/BOX

FRONT PANEL OPTIONS

OPAQUE / SMOKED / CLEAR

- ORIENTATION OF FRONT PANEL BUTTONS CAN BE CUSTOMISED.



PT-165

PT-165

48 x 96 x 77 mm

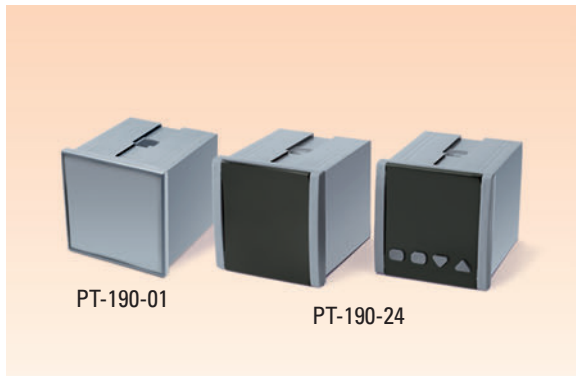
DIN PANEL ENCLOSURES

MATERIAL	ABS
COLOR	LIGHT GRAY / BLACK
PACKAGING	20 PCS/BOX

FRONT PANEL OPTIONS

OPAQUE / SMOKED / CLEAR

- ORIENTATION OF FRONT PANEL BUTTONS CAN BE CUSTOMISED.


PT-190-01

72 x 72 x 81 mm

DIN PANEL ENCLOSURES
PT-190-24

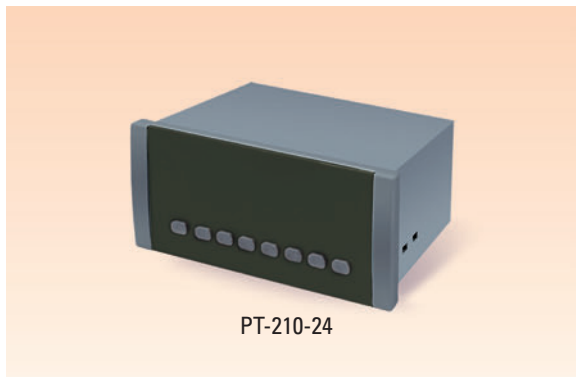
W/ BUTONS
72 x 72 x 85 mm

MATERIAL	ABS
COLOR	LIGHT GRAY / DARK GRAY / BLACK
PACKAGING	20 PCS/BOX

FRONT PANEL OPTIONS

OPAQUE / SMOKED / CLEAR

• ORIENTATION OF FRONT PANEL BUTTONS CAN BE CUSTOMISED.


PT-210-01

72 x 144 x 108 mm

DIN PANEL ENCLOSURES
PT-210-24

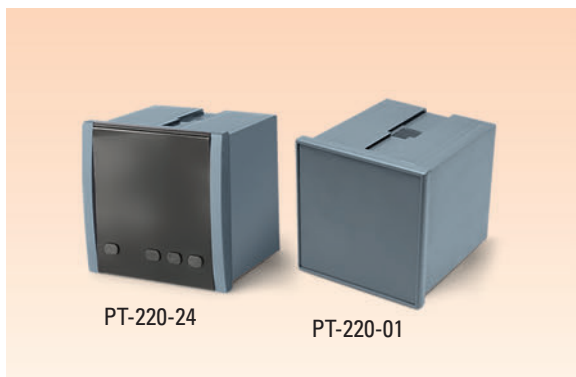
W/ BUTONS
72 x 144 x 115 mm

MATERIAL	ABS
COLOR	LIGHT GRAY / DARK GRAY / BLACK
PACKAGING	20 PCS/BOX

FRONT PANEL OPTIONS

OPAQUE / SMOKED / CLEAR

• ORIENTATION OF FRONT PANEL BUTTONS CAN BE CUSTOMISED.


PT-220-01

96 x 96 x 72 mm

DIN PANEL ENCLOSURES
PT-220-24

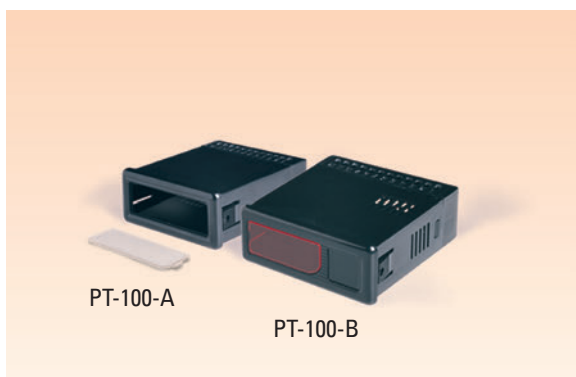
W/BUTTONS
96 x 96 x 76 mm

MATERIAL	ABS
COLOR	LIGHT GRAY / DARK GRAY / BLACK
PACKAGING	20 PCS/BOX

FRONT PANEL OPTIONS

OPAQUE / SMOKED / CLEAR

• ORIENTATION OF FRONT PANEL BUTTONS CAN BE CUSTOMISED.


PT-100-A

ALL OPEN
33 x 75 x 79 mm

DIN PANEL ENCLOSURES
PT-100-B

W/ STICKER PANEL
33 x 75 x 79 mm

MATERIAL	ABS
COLOR	BLACK
PACKAGING	20 PCS/BOX

FRONT PANEL OPTIONS

LIGHT GRAY / CLEAR / RED


PT-110

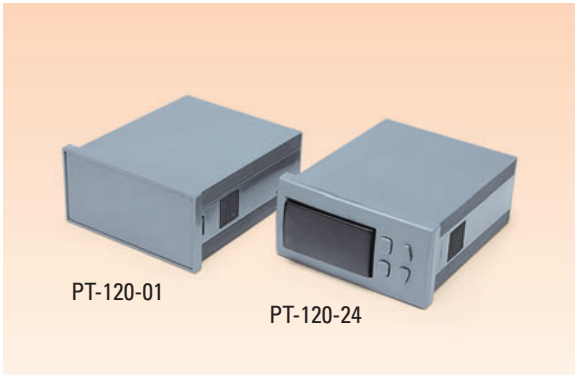
37 x 63 x 61 mm

DIN PANEL ENCLOSURES

MATERIAL	ABS
COLOR	LIGHT GRAY / BLACK
PACKAGING	40 PCS/BOX

FRONT PANEL OPTIONS

RED / GRAY


PT-120-01

36 x 72 x 81 mm

DIN PANEL ENCLOSURES
PT-120-24

 W/ BUTTONS
 36 x 72 x 85 mm

CONCAVE FRONT PANEL COLOR OPTIONS
 SMOKED / RED

MATERIAL	ABS
COLOR	LIGHT GRAY / DARK GRAY / BLACK
PACKAGING	20 PCS/BOX

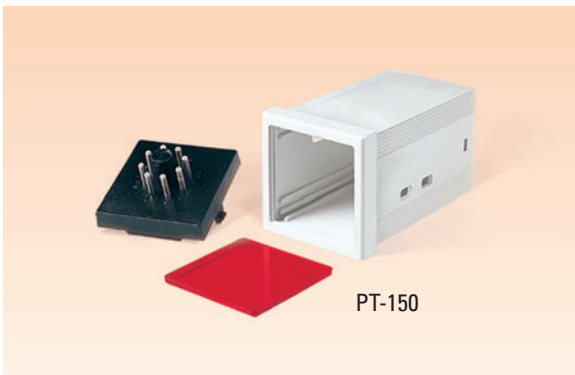
FRONT PANEL OPTIONS
 OPAQUE / CLEAR / RED

PT-130

36 x 72 x 85 mm

DIN PANEL ENCLOSURES

MATERIAL	ABS
COLOR	LIGHT GRAY / BLACK
PACKAGING	20 PCS/BOX


PT-150

48 x 48 x 87 mm

DIN PANEL ENCLOSURES

MATERIAL	ABS
COLOR	LIGHT GRAY / BLACK
PACKAGING	20 PCS/BOX

CONNECTION OPTIONS
 8 PINS SOCKET TYPE
 11 PINS SOCKET TYPE

FRONT PANEL OPTIONS
 LIGHT GRAY / CLEAR / RED

PT-160

48 x 96 x 123 mm

DIN PANEL ENCLOSURES

MATERIAL	ABS
COLOR	LIGHT GRAY / BLACK
PACKAGING	20 PCS/BOX

FRONT PANEL OPTIONS
 LIGHT GRAY / CLEAR / RED

PT-170

72 x 72 x 74 mm

DIN PANEL ENCLOSURES

MATERIAL	ABS
COLOR	LIGHT GRAY / BLACK
PACKAGING	40 PCS/BOX

BACK PANEL OPTIONS
 FLAT PANEL
 TERMINAL PANEL



PT-180

72 x 72 x 75 mm

DIN PANEL ENCLOSURES

MATERIAL	ABS
COLOR	LIGHT GRAY / BLACK
PACKAGING	20 PCS/BOX

BACK PANEL OPTIONS
FLAT PANEL
TERMINAL PANEL

FRONT PANEL COLOR OPTIONS
LIGHT GRAY / CLEAR / RED



PT-200

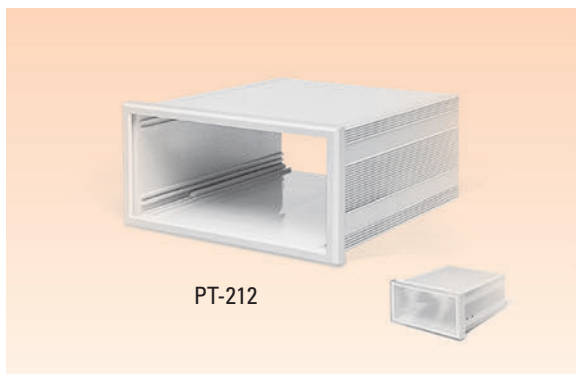
72 x 72 x 104 mm

DIN PANEL ENCLOSURES

MATERIAL	ABS
COLOR	LIGHT GRAY / BLACK
PACKAGING	20 PCS/BOX

BACK PANEL OPTIONS
FLAT PANEL
TERMINAL PANEL

FRONT PANEL COLOR OPTIONS
LIGHT GRAY / CLEAR / RED



PT-212

72 x 144 x 162 mm

DIN PANEL ENCLOSURES

MATERIAL	ABS
COLOR	LIGHT GRAY / BLACK
PACKAGING	20 PCS/BOX

BACK PANEL OPTIONS
FLAT PANEL
TERMINAL PANEL

FRONT PANEL COLOR OPTIONS
LIGHT GRAY / CLEAR / RED

* PROTECTIVE SAN CLEAR CAP IS OPTIONAL



PT-230

96 x 96 x 74 mm

DIN PANEL ENCLOSURES

MATERIAL	ABS
COLOR	LIGHT GRAY / BLACK
PACKAGING	20 PCS/BOX

BACK PANEL OPTIONS
FLAT PANEL
TERMINAL PANEL

FRONT PANEL COLOR OPTIONS
LIGHT GRAY / CLEAR / RED



PT-240

96 x 96 x 75 mm

DIN PANEL ENCLOSURES

MATERIAL	ABS
COLOR	LIGHT GRAY / BLACK
PACKAGING	20 PCS/BOX

BACK PANEL OPTIONS
FLAT PANEL
TERMINAL PANEL

FRONT PANEL COLOR OPTIONS
LIGHT GRAY / CLEAR / RED


PT-250

96 x 96 x 102 mm

DIN PANEL ENCLOSURES

MATERIAL	ABS
COLOR	LIGHT GRAY / BLACK
PACKAGING	20 PCS/BOX

FRONT PANEL COLOR OPTIONS

LIGHT GRAY / CLEAR / RED

BACK PANEL OPTIONS

 FLAT PANEL
 TERMINAL PANEL

PT-260

96 x 96 x 135 mm

DIN PANEL ENCLOSURES

MATERIAL	ABS
COLOR	LIGHT GRAY / BLACK
PACKAGING	20 PCS/BOX

FRONT PANEL COLOR OPTIONS

LIGHT GRAY / CLEAR / RED

BACK PANEL OPTIONS

 FLAT PANEL
 TERMINAL PANEL

PT-270

144 x 144 x 85 mm

DIN PANEL ENCLOSURES

MATERIAL	ABS
COLOR	LIGHT GRAY / BLACK
PACKAGING	20 PCS/BOX

FRONT PANEL COLOR OPTIONS

LIGHT GRAY / CLEAR COVER WITH HINGE

BACK PANEL OPTIONS

 FLAT PANEL
 TERMINAL PANEL

PT-280

144 x 144 x 140 mm

DIN PANEL ENCLOSURES

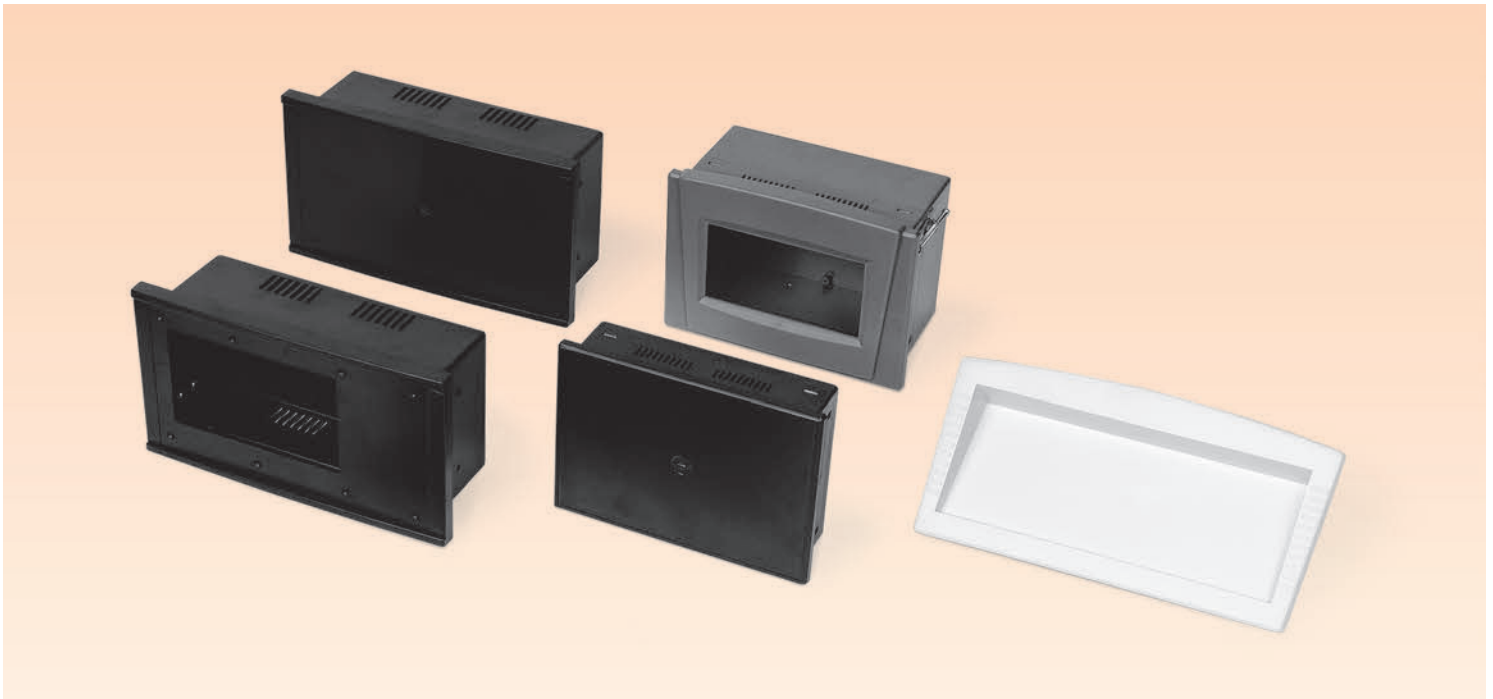
MATERIAL	ABS
COLOR	LIGHT GRAY / BLACK
PACKAGING	20 PCS/BOX

FRONT PANEL COLOR OPTIONS

LIGHT GRAY / CLEAR COVER WITH HINGE

BACK PANEL OPTIONS

 FLAT PANEL
 TERMINAL PANEL



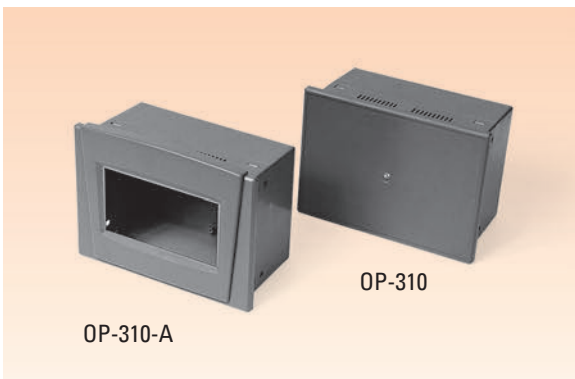
OPERATOR PANEL ENCLOSURES



OP-100	OPEN FRONT PANEL 233 x 130 x 83 mm	OPERATOR PANEL ENCLOSURES
OP-100-A	CLOSED FRONT PANEL	
MATERIAL	ABS-FR	
COLOR	BLACK	
PACKAGING	5 PCS/BOX	



OP-300	CLOSED FLAT PANEL 180 x 130 x 50 mm	OPERATOR PANEL ENCLOSURES
OP-300-A	CURVED LCD PANEL	
MATERIAL	ABS	
COLOR	DARK GRAY / BLACK / LIGHT GRAY	
PACKAGING	10 PCS/BOX	



OP-310	CLOSED FLAT PANEL 180 x 130 x 89 mm	OPERATOR PANEL ENCLOSURES
OP-310-A	CURVED LCD PANEL	
MATERIAL	ABS	
COLOR	DARK GRAY / BLACK / LIGHT GRAY	
PACKAGING	10 PCS/BOX	



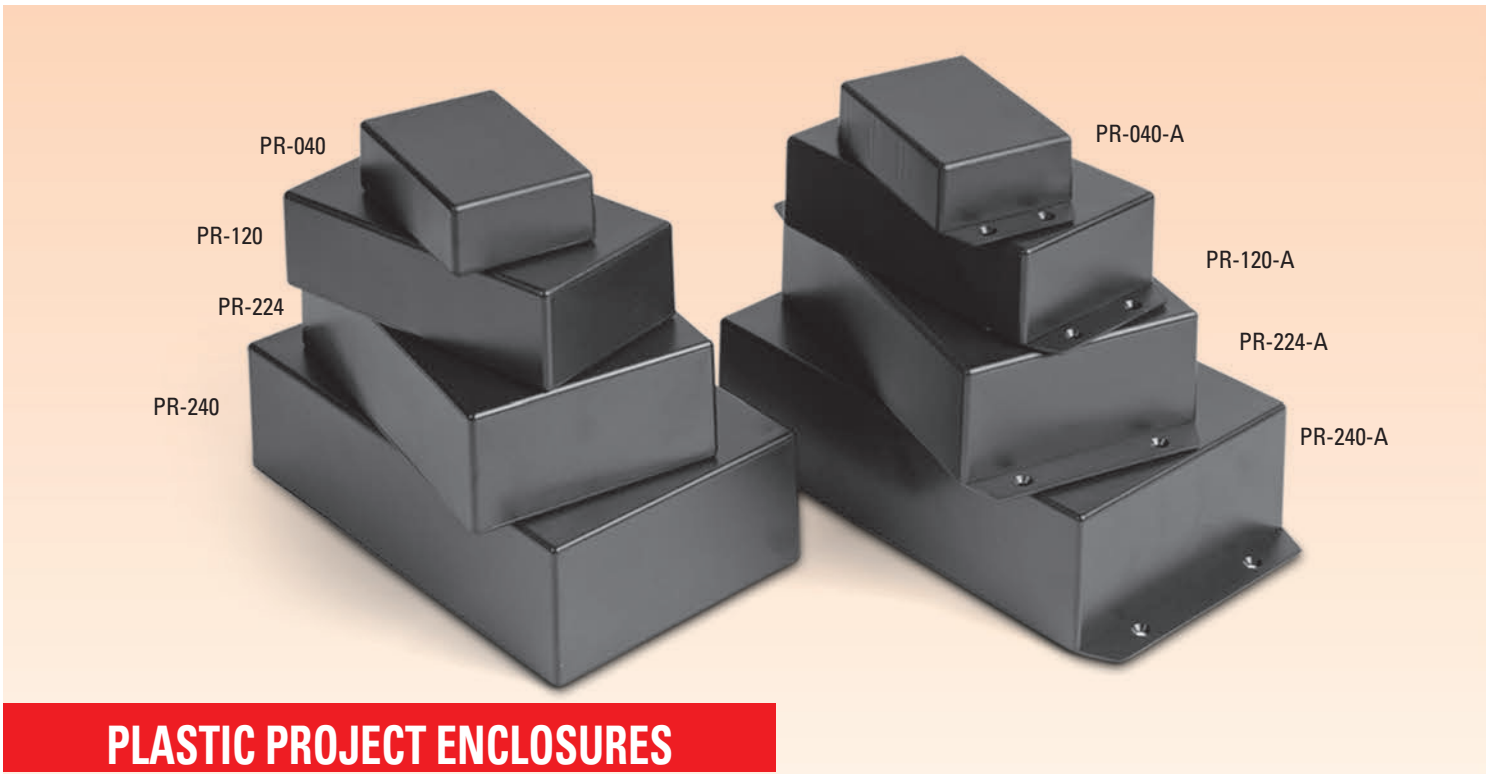
PT-340

PANEL
255 x 118 x 23 mm

OPERATOR PANEL ENCLOSURES

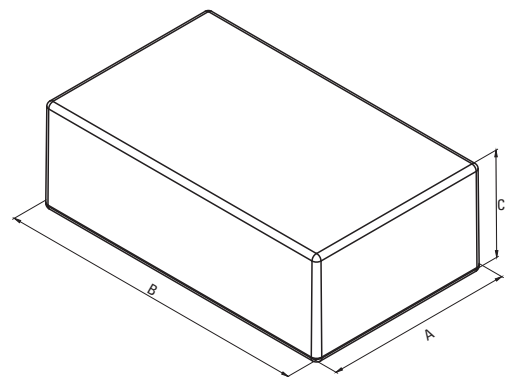
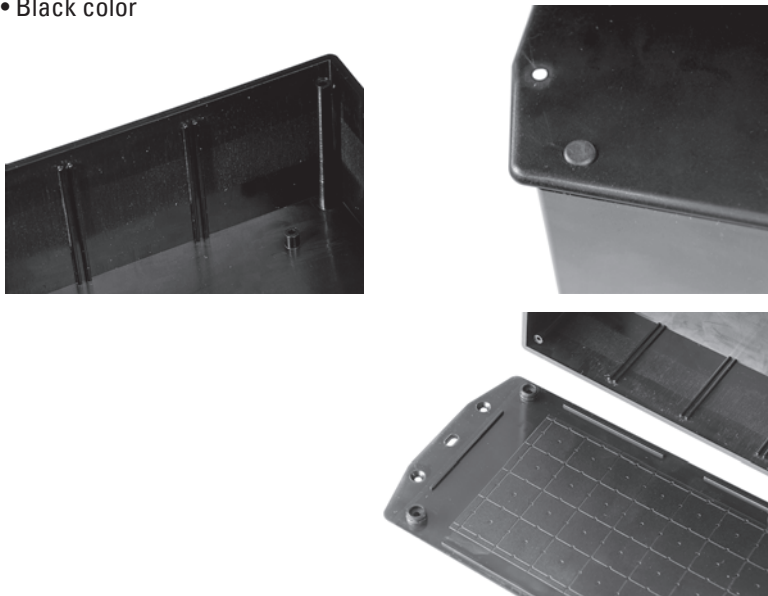
MATERIAL	ABS
COLOR	LIGHT GRAY / DARK GRAY
PACKAGING	10 PCS/BOX

PT-340

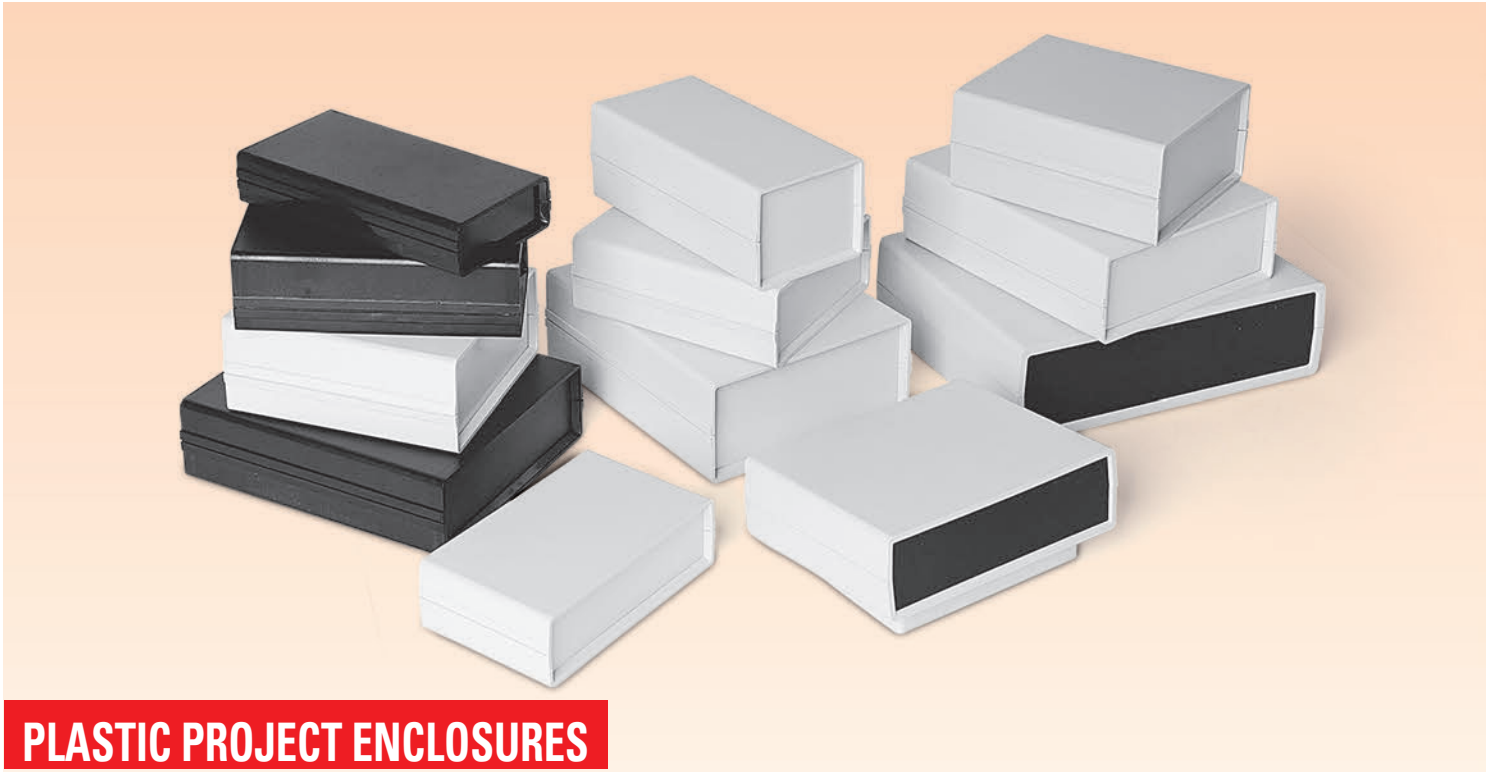


PLASTIC PROJECT ENCLOSURES

- Low cost
- Material: ABS UL94-HB
- Vertical card slots
- Optional wall mounting ears
- TPE screw caps
- Black color

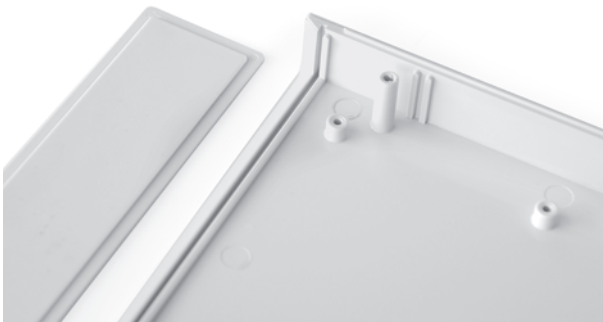
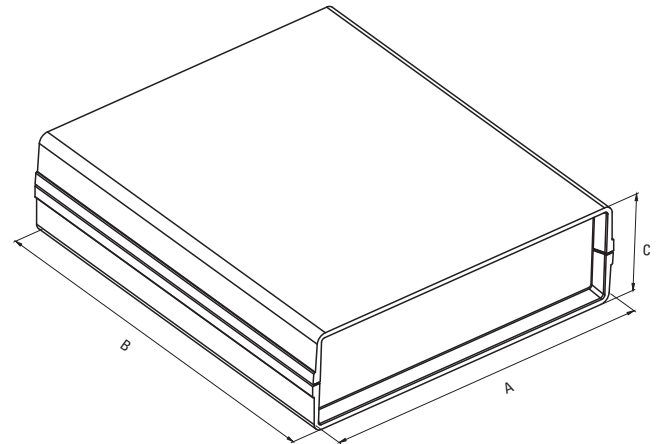


Code	Width (A)	Length (B)	Height (C)	Wall Mountable
PR-040	54	83	30	
PR-040-A	54	83	30	Yes
PR-120	68	130	44	
PR-120-A	68	130	44	Yes
PR-224	96	158	53	
PR-224-A	96	158	53	Yes
PR-240	113	197,4	63	
PR-240-A	113	197,4	63	Yes

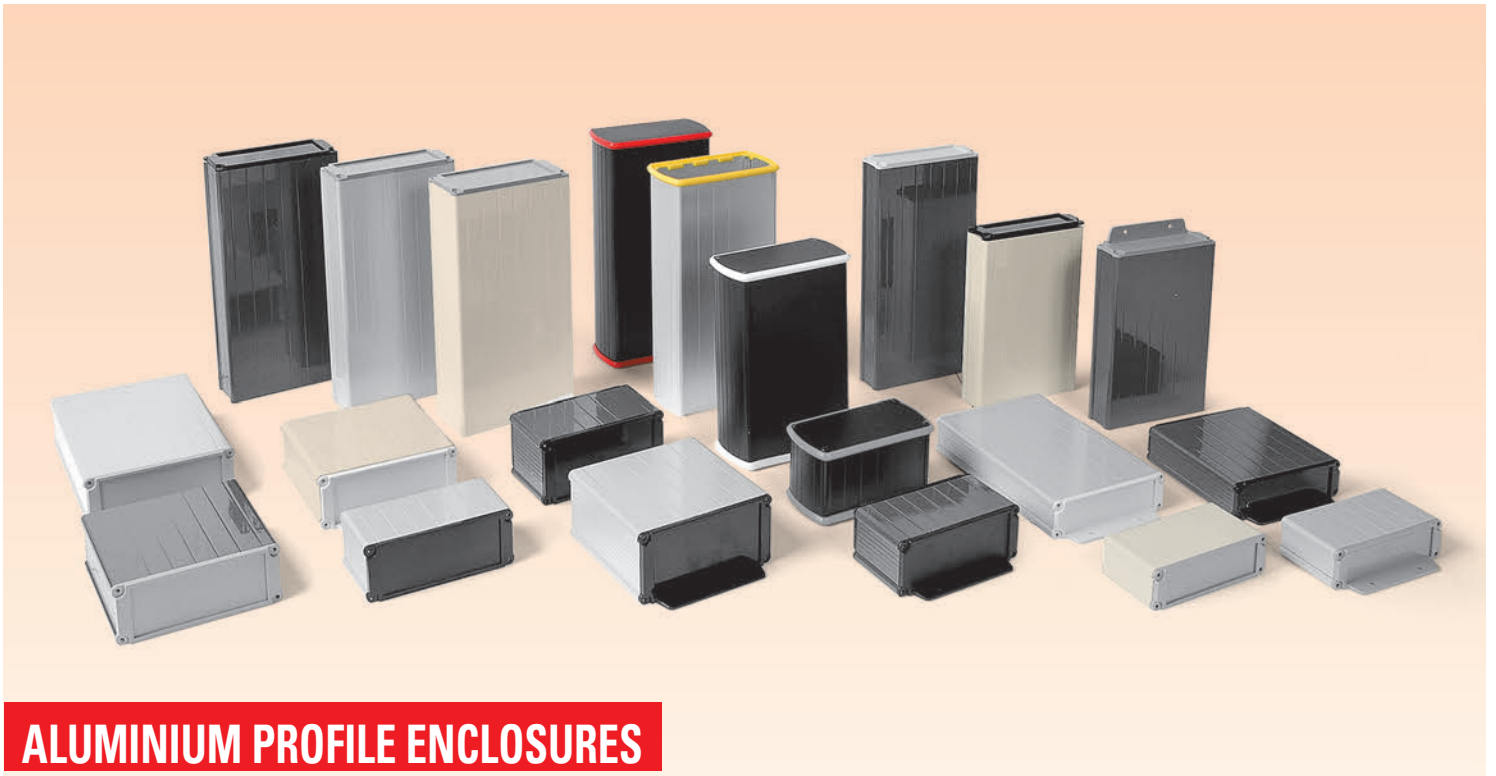


PLASTIC PROJECT ENCLOSURES

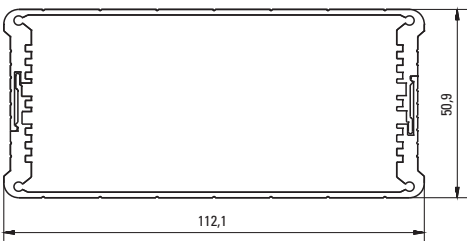
- Light Grey and Black color option
- Material: ABS UL94-HB Optional UL94-V0
- Low cost
- Removable front and back panels
- Wall mountable with suitable accessories
- Special sloped mounting kit for DT-210 and DT-220.



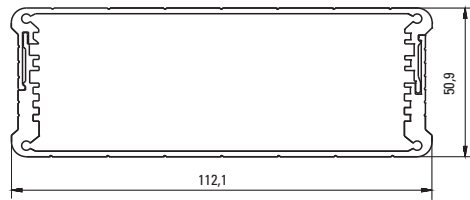
Code	Width (A)	Length (B)	Height (C)	Screws
HH-8080	85	155	30	4 PCS
HH-8082	85	155	45	4 PCS
HH-8282	85	155	60	4 PCS
DT-085	145	85	38	2 PCS
DT-0505	130	138	48	2 PCS
DT-0508	130	138	54	2 PCS
DT-0808	130	138	61	2 PCS
DT-0909	126	137	82	2 PCS
DT-1010	154	174	47	4 PCS
DT-1020	154	174	54	4 PCS
DT-2020	154	174	61	4 PCS
DT-210	166	120	45	4 PCS
Angled mounting kit DT-210-A	166	120	45	4 PCS
DT-220	226	166	60	4 PCS
Angled mounting kit DT-220-A	226	166	60	4 PCS



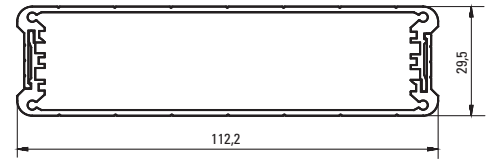
ALUMINIUM PROFILE ENCLOSURES



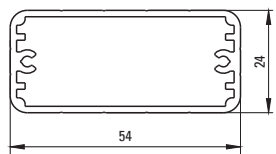
AL-115



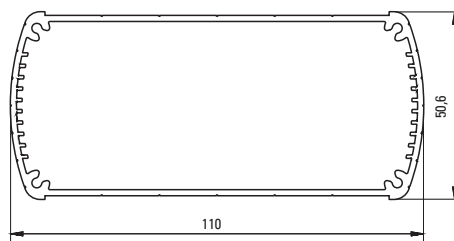
AL-114



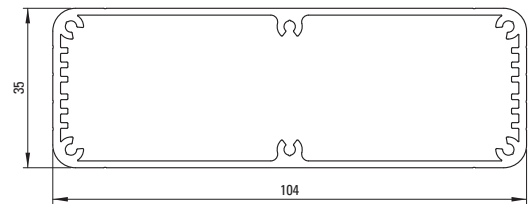
AL-113



AL-052



AL-105

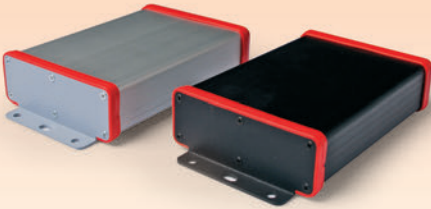


AL-103



AL-052

AL-052-5		ALUMINIUM PROFILE ENCLOSURES	
	54 x 24 x 56 mm	MATERIAL	ALUMINIUM 6063
		COLOR	BLACK (RAL 9005) / CREAM (RAL 9001) / SILVER (RAL 9006)
		SURFACE	ELECTROSTATIC GLOSS
		END CAPS	ALUMINIUM
		* AL-052-XX LENGTH IS CUSTOMIZABLE BETWEEN 40mm AND 3m .	
AL-052-10			
	54 x 24 x 106 mm		
AL-052-15			
	54 x 24 x 156 mm		
AL-052-20			
	54 x 24 x 206 mm		
AL-052-XX			
	54 x 24 x (CUSTOM) mm		



NEW

AL-103-5 104 x 35 x 56 mm

AL-103-10 104 x 35 x 106 mm

AL-103-15 104 x 35 x 156 mm

AL-103-20 104 x 35 x 206 mm

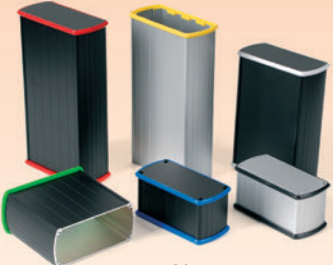
AL-103-XX 104 x 35 x (CUSTOM) mm

ALUMINIUM PROFILE ENCLOSURES!

MATERIAL	ALUMINIUM 6063
COLOR	NATURAL / BLACK
SURFACE	MATT ANODIZED
END CAPS	1.5mm ALUMINIUM

* AL-103-XX LENGTH IS CUSTOMIZABLE BETWEEN 40mm AND 3m .

AL-103



AL-105-5 110 x 50 x 56 mm

AL-105-10 110 x 50 x 106 mm

AL-105-15 110 x 50 x 156 mm

AL-105-20 110 x 50 x 206 mm


AL-105-XX 110 x 50 x (CUSTOM) mm

ALUMINIUM PROFILE ENCLOSURES!

MATERIAL	ALUMINIUM 6063
COLOR	NATURAL / BLACK
SURFACE	MATT ANODIZED
END CAPS	1.5mm ALUMINIUM

* AL-105-XX LENGTH IS CUSTOMIZABLE BETWEEN 40mm AND 3m .

AL-105



AL-113-5 112 x 29.5 x 56 mm

AL-113-10 112 x 29.5 x 106 mm

AL-113-15 112 x 29.5 x 156 mm

AL-113-20 112 x 29.5 x 206 mm

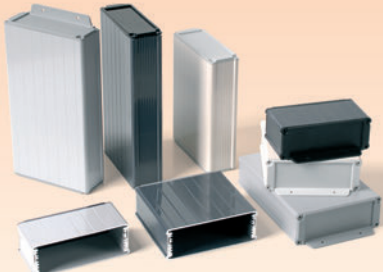
AL-113-XX 112 x 29.5 x (CUSTOM) mm

ALUMINIUM PROFILE ENCLOSURES!

MATERIAL	ALUMINIUM 6063
COLOR	GRAPHITE GRAY/ CREAM / SILVER / BLACK
SURFACE	ELECTROSTATIC GLOSS
END CAPS	FLAT PLASTIC, MOUNTABLE PLASTIC AND NATURAL ALUMINIUM
PLASTIC END CAPS	BLACK, DARK GRAY AND LIGHT GRAY

* AL-113-XX LENGTH IS CUSTOMIZABLE BETWEEN 40mm AND 3m .

AL-113



AL-114-5 112 x 40 x 56 mm

AL-114-10 112 x 40 x 106 mm

AL-114-15 112 x 40 x 156 mm

AL-114-20 112 x 40 x 206 mm

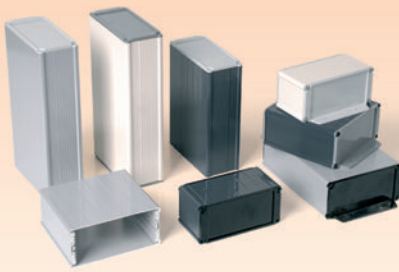
AL-114-XX 112 x 40 x (CUSTOM) mm

ALUMINIUM PROFILE ENCLOSURES!

MATERIAL	ALUMINIUM 6063
COLOR	GRAPHITE GRAY/ CREAM / SILVER / BLACK
SURFACE	ELECTROSTATIC GLOSS
END CAPS	FLAT PLASTIC, MOUNTABLE PLASTIC AND NATURAL ALUMINIUM
PLASTIC END CAPS	BLACK, DARK GRAY VE LIGHT GRAY

* AL-114-XX LENGTH IS CUSTOMIZABLE BETWEEN 40mm AND 3m .

AL-114



AL-115-5 112 x 50 x 56 mm

AL-115-10 112 x 50 x 106 mm

AL-115-15 112 x 50 x 156 mm

AL-115-20 112 x 50 x 206 mm

AL-115-XX 112 x 50 x (CUSTOM) mm

ALUMINIUM PROFILE ENCLOSURES!

MATERIAL	ALUMINIUM 6063
COLOR	GRAPHITE GRAY/ CREAM / SILVER / BLACK
SURFACE	ELECTROSTATIC GLOSS
END CAPS	FLAT PLASTIC, MOUNTABLE PLASTIC AND NATURAL ALUMINIUM
PLASTIC END CAPS	BLACK, DARK GRAY VE LIGHT GRAY

* AL-115-XX LENGTH IS CUSTOMIZABLE BETWEEN 40mm AND 3m .

AL-115

NEW

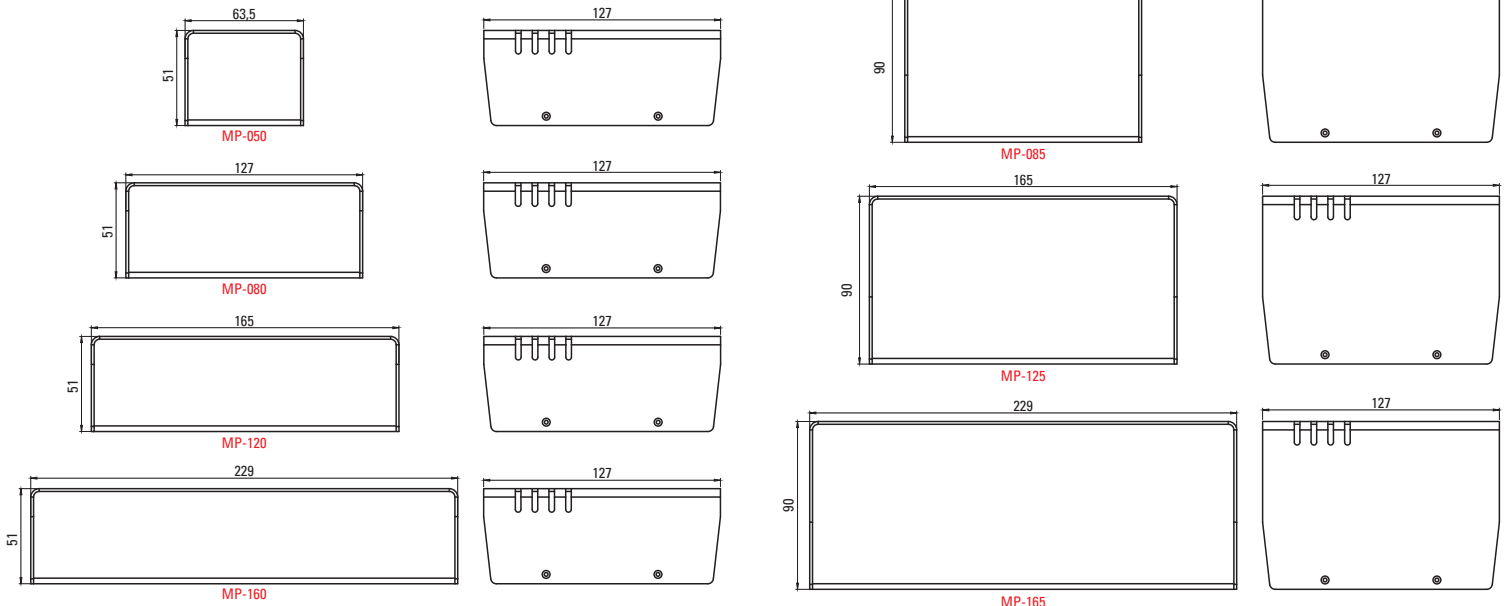


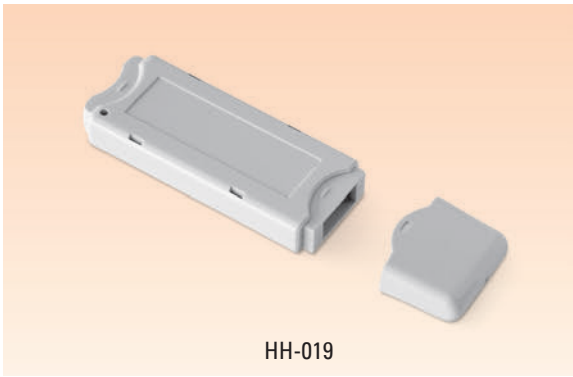
METAL PROJECT ENCLOSURES

- 1,5 mm mild steel
- High quality bending with die
- Electrostatic powder coating
- Ventilation holes
- Black (RAL 9005) textured top cover

- White glossy base
- M3 assembly screws
- Plastic feet
- Mounting holes on base

Code	Width (A)	Length (B)	Height (C)
MP-050	63,5	127	51
MP-055	63,5	127	90
MP-080	127	127	51
MP-085	127	127	90
MP-120	165	127	51
MP-125	165	127	90
MP-160	229	127	51
MP-165	229	127	90





HH-019

USB ENCLOSURE
71 x 23 x 8,7 mm

OTHER ENCLOSURES

MATERIAL ABS
COLOR LIGHT GRAY



OP-010

PHOTOCELL SENSOR
56 x 60 x 66 mm

OTHER ENCLOSURES

MATERIAL
BODY LIGHT GRAY / DARK GRAY / BLACK
KAPAK PS
PACKAGING 20 PCS/BOX



PE-100

33 x 45 x 50 mm

POTTING ENCLOSURES

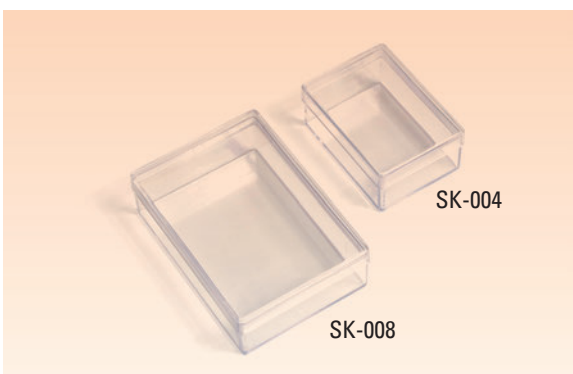
PE-100-A

OPEN BASEMENT

PE-100-B

OPEN TOP

MATERIAL ABS-FR
COLOR BLACK
PACKAGING 50 PCS/BOX



SK-004

71 x 51 x 31 mm

CLEAR PACKAGING ENCLOSURES

SK-008

101 x 71 x 31 mm

SK-010

120 x 80 x 36 mm

MATERIAL SAN
PACKAGING 50 PCS/BOX



NEW

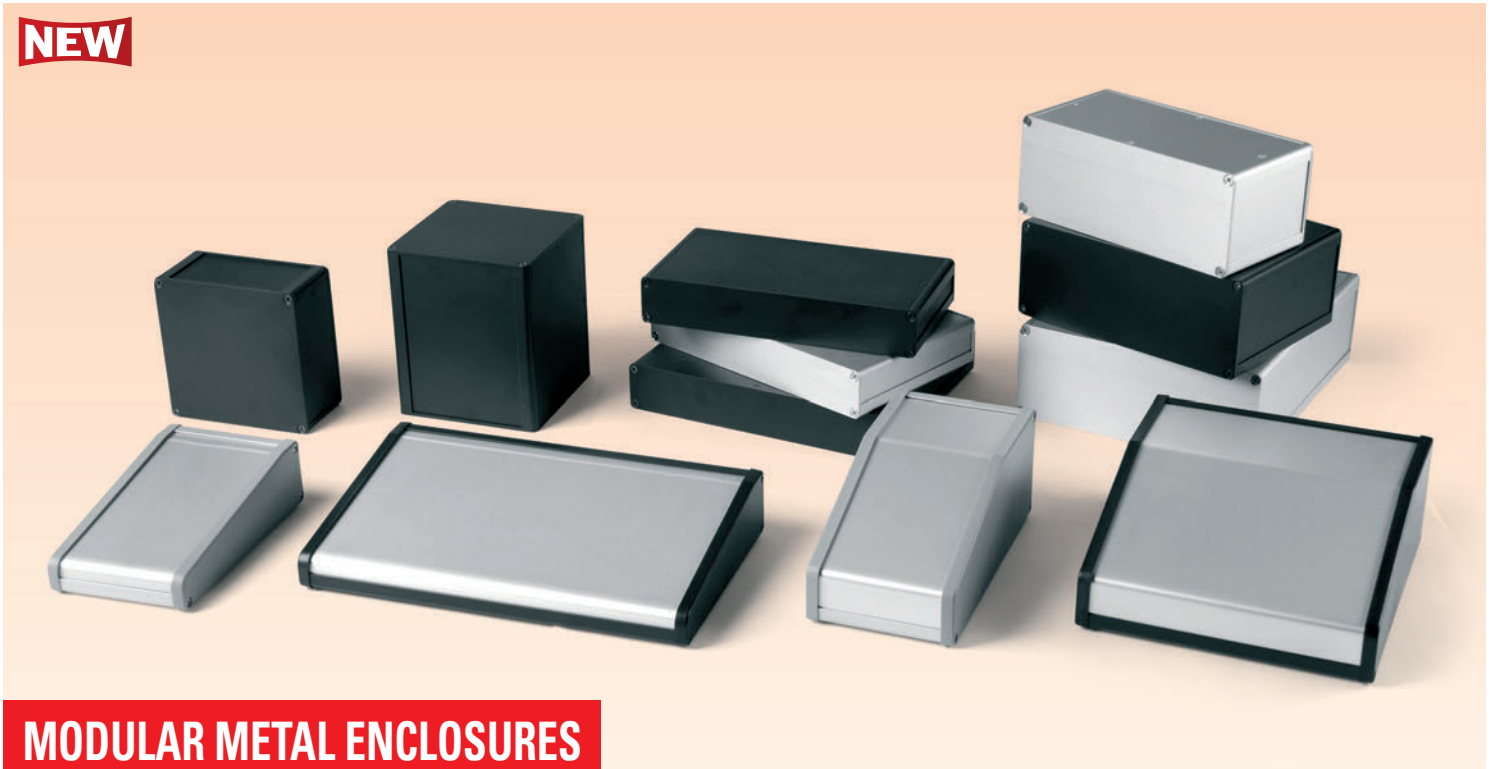
DM-034

82 x 80 x 50 mm

WARNING LIGHT ENCLOSURE

COVER PE
BASE ABS
PACKAGING 50 PCS/BOX

NEW



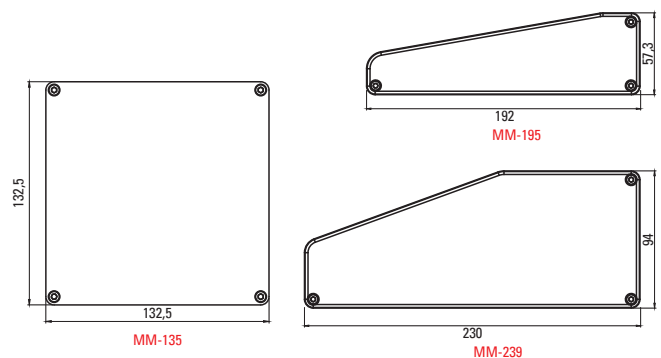
MODULAR METAL ENCLOSURES

- 1,5 mm mild steel
- High quality bending with special die
- Electrostatic powder coating on black color
- Anodized on Natural aluminium color
- RAL 7035 or black plastic parts
- M3 Assembly screws

Code	W (A)	H (C)	L (B)
MM-195	192	100-150-200-300-400	57
MM-239	230	100-150-200-300-400	94
MM-135	132,5	60-100-150-200	132,5
MM-228	220	100-150-200-250	88,1
MM-255	250	120-150-200-250	43,65

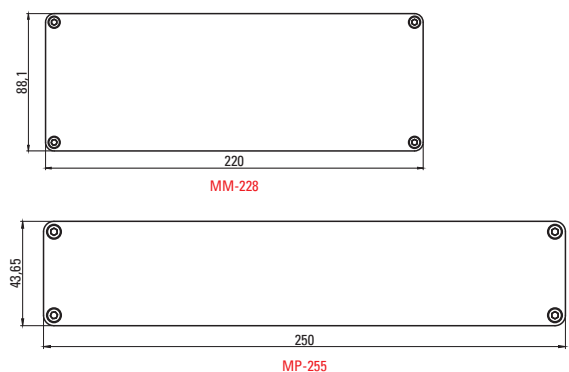
MM-195 - MM-239

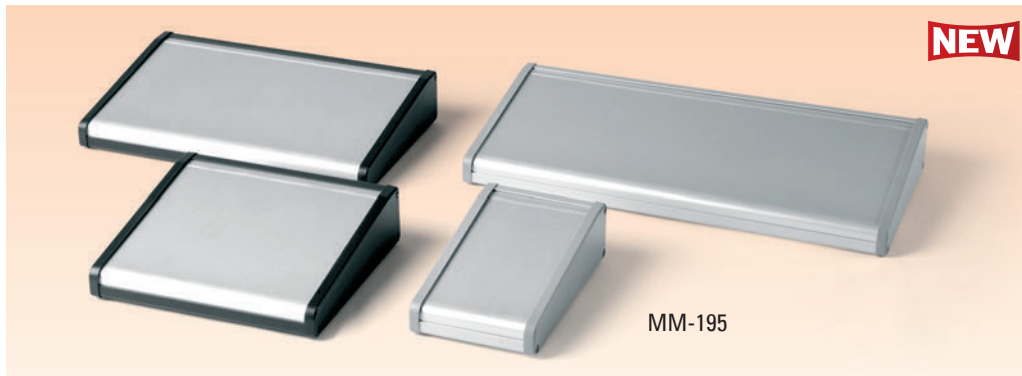
MATERIAL	ALUMINIUM - ABS
BLACK	Side caps: Black ABS Profiles, Back and Bottom panels : Black electrostatic powder coated aluminium 1,5mm Top panel: Natural anodized aluminium 1,5 mm
NATURAL	Side caps: RAL 7035 Light Grey ABS Profiles, Top, Back and Bottom panels : Natural anodized aluminium 1,5mm



MM-135 - MM-228 and MM-225

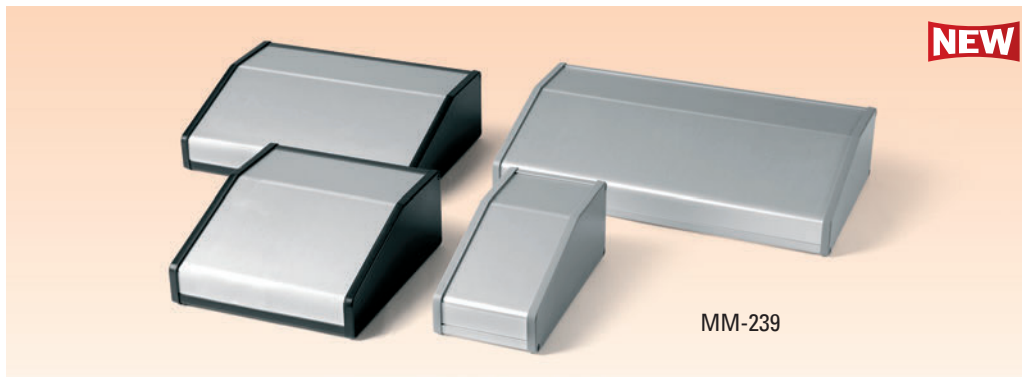
MATERIAL	ALUMINIUM
BLACK	Profiles, Top and Bottom panels : Black electrostatic powder coated aluminium 3 mm Side Panels: Black ESPC aluminium 1,5mm M4 screw for top and bottom panels
NATURAL	Profiles, Top and Bottom panels : Natural anodized aluminium 3 mm Side panels: Natural anodized aluminium 1,5 mm M4 stainless screw for top and ottom panels





NEW

MM-195-10	192 x 57 x 100 mm
MM-195-15	192 x 57 x 150 mm
MM-195-20	192 x 57 x 200 mm
MM-195-30	192 x 57 x 300 mm
MM-195-40	192 x 57 x 400 mm



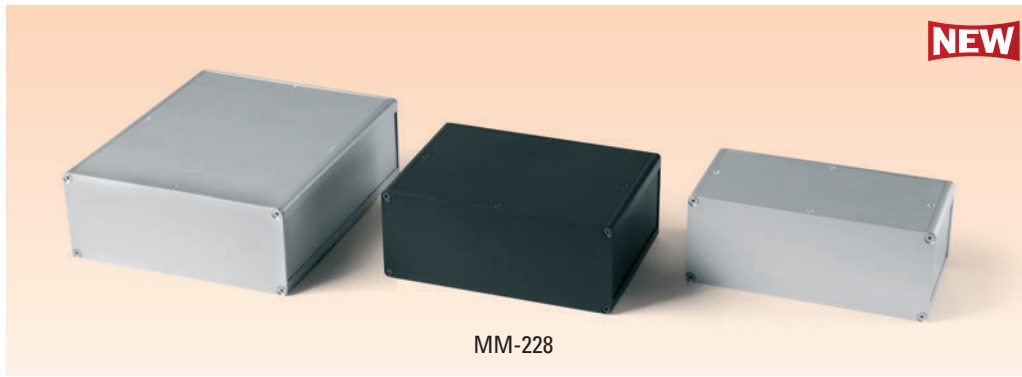
NEW

MM-239-10	230 x 94 x 100 mm
MM-239-15	230 x 94 x 150 mm
MM-239-20	230 x 94 x 200 mm
MM-239-30	230 x 94 x 300 mm
MM-239-40	230 x 94 x 400 mm



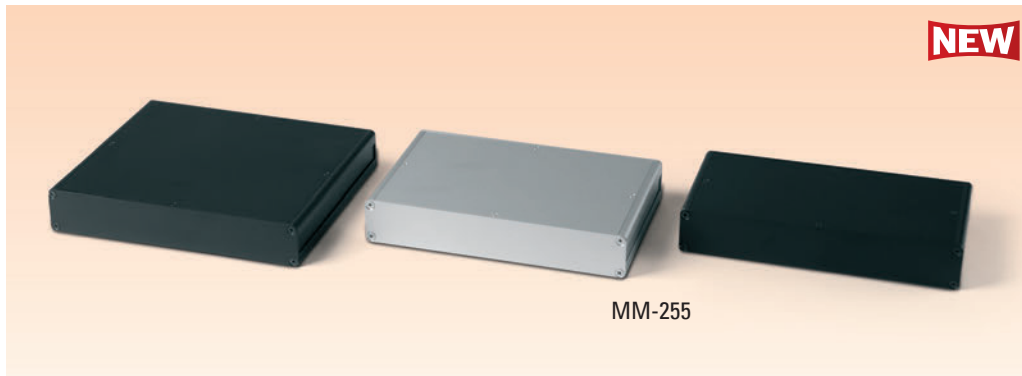
NEW

MM-135-6	132,5 x 132,5 x 60 mm
MM-135-10	132,5 x 132,5 x 100 mm
MM-135-15	132,5 x 132,5 x 150 mm
MM-135-20	132,5 x 132,5 x 200 mm



NEW

MM-228-10	220 x 88,1 x 100 mm
MM-228-15	220 x 88,1 x 150 mm
MM-228-20	220 x 88,1 x 200 mm
MM-228-25	220 x 88,1 x 250 mm



NEW

MM-255-12	250 x 43,65 x 120 mm
MM-255-15	250 x 43,65 x 150 mm
MM-255-20	250 x 43,65 x 200 mm
MM-255-25	250 x 43,65 x 250 mm

NEW



19" RACK ENCLOSURES



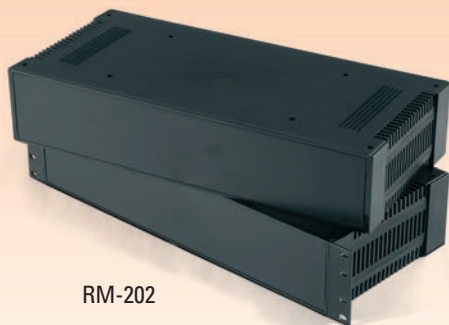
RM-201

RM-201

431 x 203 x 43 mm

19" RACK ENCLOSURES

MATERIAL	ABS
FEATURE	19" 1U RACK TYPE
COLOR	BLACK UL94-V0
PACKAGING	1 PCS/BOX



RM-202

RM-202

431 x 203 x 86 mm

19" RACK ENCLOSURES

MATERIAL	ABS
FEATURE	19" 2U RACK TYPE
COLOR	BLACK UL94-V0
PACKAGING	1 PCS/BOX



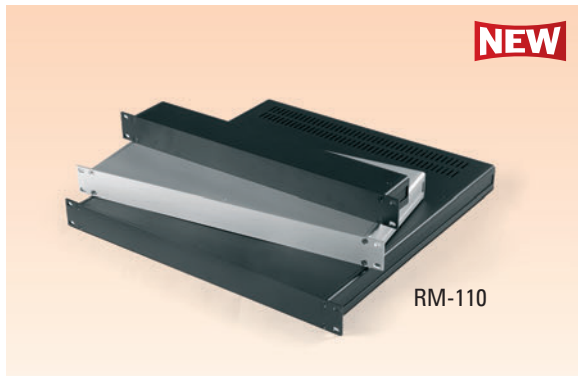
RM-203

RM-203

431 x 203 x 129 mm

19" RACK ENCLOSURES

MATERIAL	ABS
FEATURE	19" 3U RACK TYPE
COLOR	BLACK UL94-V0
PACKAGING	1 PCS/BOX



NEW

RM-110-6 19" 1U RACK MOUNT
482,6 x 43,65 x 66 mm

RM-110-14 482,6 x 43,65 x 146 mm

RM-110-20 482,6 x 43,65 x 206 mm

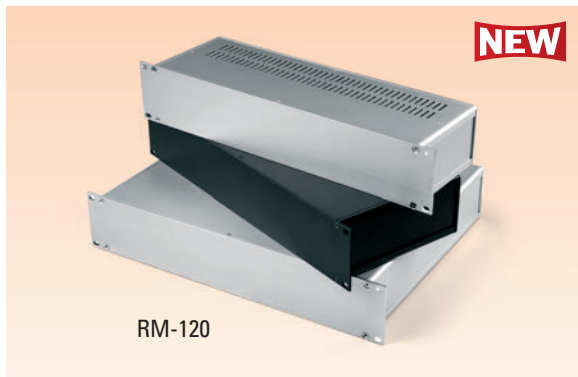
RM-110-36 482,6 x 43,65 x 366 mm

RM-110-45 482,6 x 43,65 x 456 mm

19" RACK ENCLOSURES

MATERIAL	ALUMINIUM
FRONT-BACK PANELS	3 mm ALUMINIUM
SIDE PANELS	1,5 mm ALUMINIUM
FEATURE	19" 1U RACK TYPE
COLOR	NATURAL ANODIZED

VENTILE: OPTIONAL



NEW

RM-120-6 19" 2U RACK MOUNT
482,6 x 88,1 x 66 mm

RM-120-14 482,6 x 88,1 x 146 mm

RM-120-20 482,6 x 88,1 x 206 mm

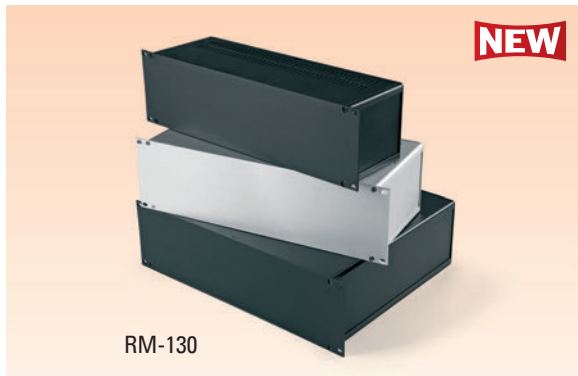
RM-120-36 482,6 x 88,1 x 366 mm

RM-120-45 482,6 x 88,1 x 456 mm

19" RACK ENCLOSURES

MATERIAL	ALUMINIUM
FRONT-BACK PANELS	3 mm ALUMINIUM
SIDE PANELS	1,5 mm ALUMINIUM
FEATURE	19" 2U RACK TYPE
COLOR	NATURAL ANODIZED

VENTILE: OPTIONAL



NEW

RM-130-6 19" 3U RACK MOUNT
482,6 x 132,5 x 66 mm

RM-130-14 482,6 x 132,5 x 146 mm

RM-130-20 482,6 x 132,5 x 206 mm

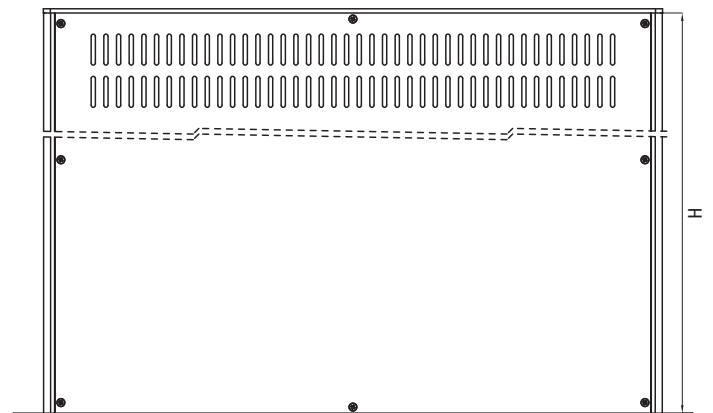
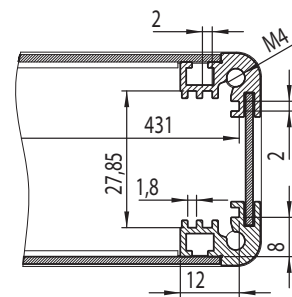
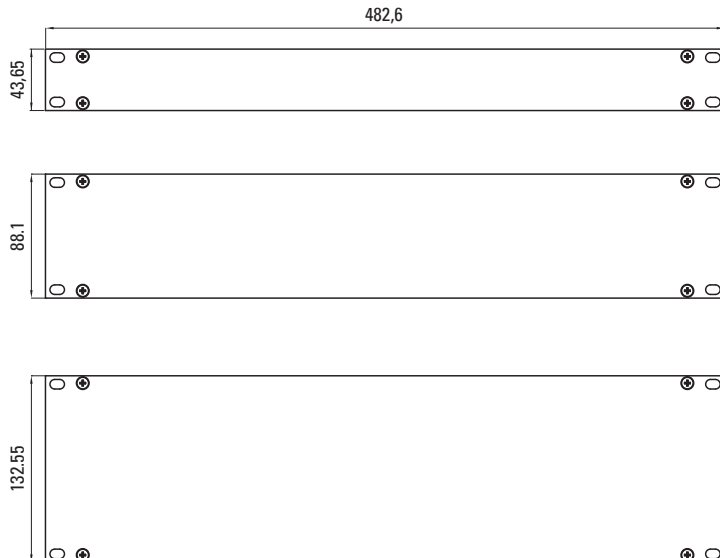
RM-130-36 482,6 x 132,5 x 366 mm

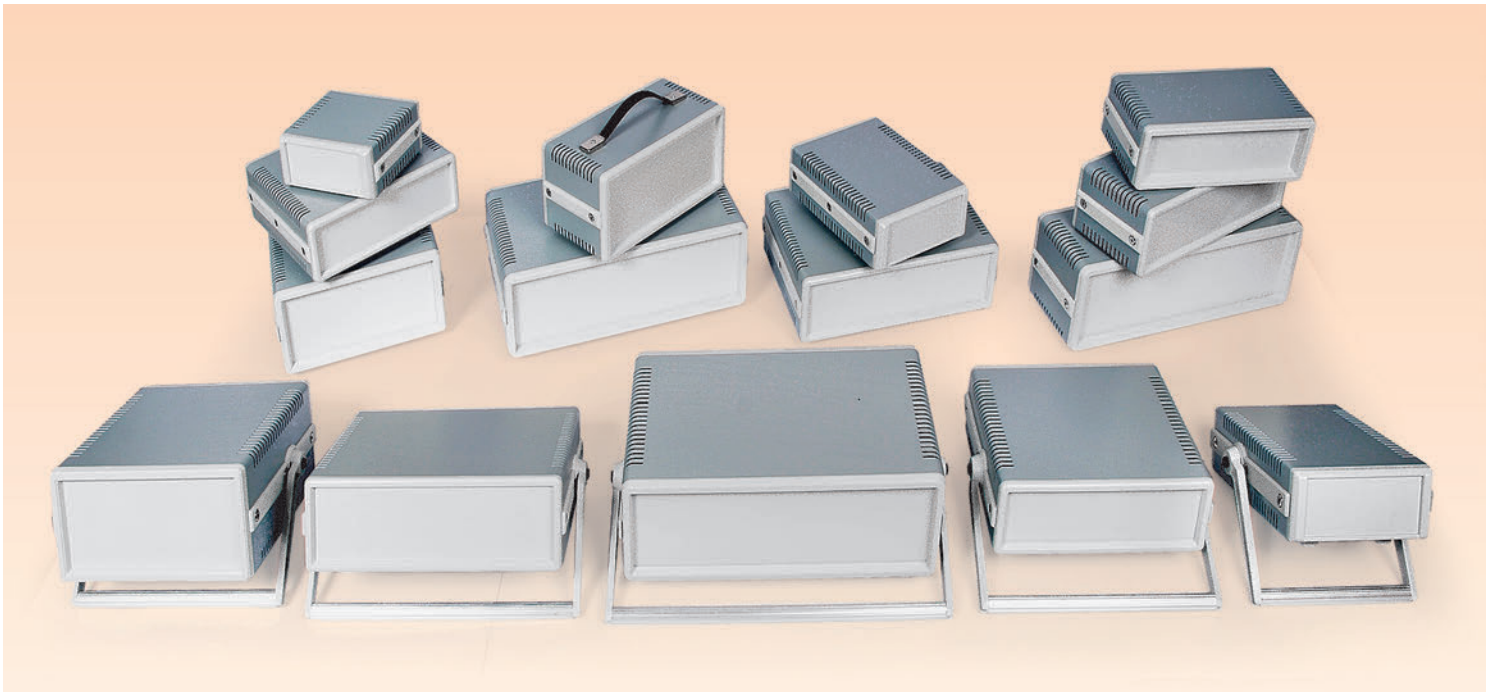
RM-130-45 482,6 x 132,5 x 456 mm

19" RACK ENCLOSURES

MATERIAL	ALUMINIUM
FRONT-BACK PANELS	3 mm ALUMINIUM
SIDE PANELS	1,5 mm ALUMINIUM
FEATURE	19" 3U RACK TYPE
COLOR	NATURAL ANODIZED

VENTILE: OPTIONAL

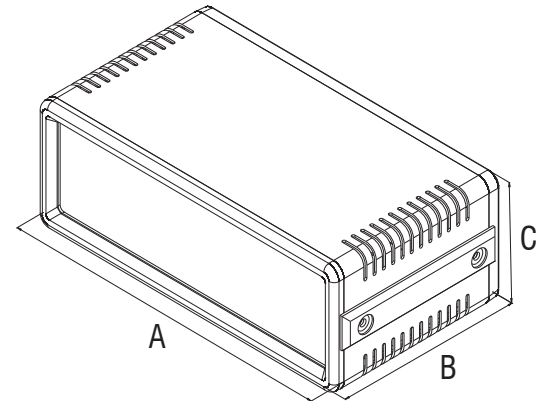




ALUMINIUM INSTRUMENT ENCLOSURES

- Useful for laboratory, medical measurement, measuring and control systems, power supplies and educational sets.
- Plastic and metal hybrid design
- Electrostatic powder coated 1,5 mm aluminium
- Perforated, galvanized internal mild steel mounting plate
- Optional carrying handle with with 18 degree steps
- Optional metal handle (see picture below A-97/A-98)
- Customizable panels

Code	Width (A)	Length (B)	Height (C)	Handle
DT-330	187	173	87	
DT-335	187	282	87	
DT-335-K	187	282	87	YES
DT-340	288	163	105	
DT-345	288	271	105	
DT-345-K	288	271	105	YES
DT-346	350	159	115	
DT-348	350	288	115	
DT-348-K	350	288	115	YES
DT-350	288	165	150	
DT-355	288	274	150	
DT-355-K	288	274	150	YES
DT-360	438	165	150	
DT-365	438	275	150	
DT-365-K	438	275	150	YES



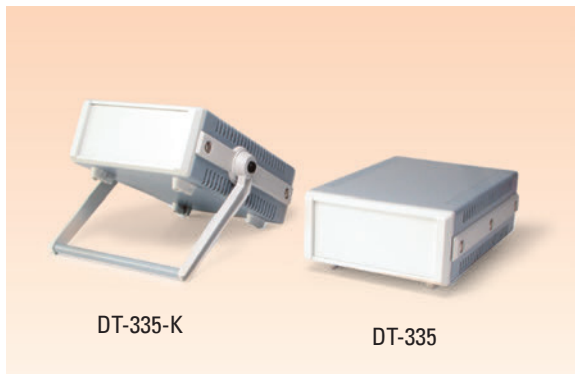
METAL HANDLE

A-97 185 mm AXIAL DISTANCE

A-98 132 mm AXIAL DISTANCE



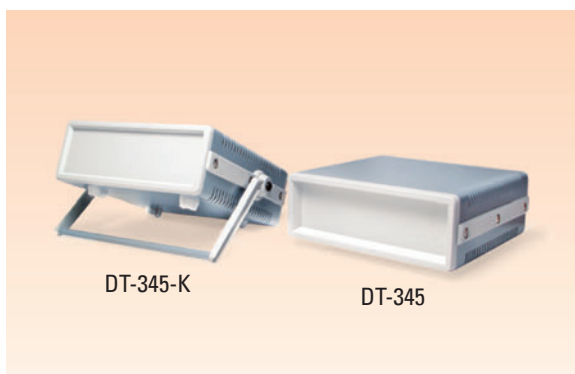
DT-330	187 x 173 x 87 mm	ALUMINIUM INSTRUMENT ENCLOSURES
MATERIAL		SUITABLE ACCESSORIES
PLASTICS	ABS	A-951 TILTING FOOT
BODY	ALUMINIUM	A-98 HANDLE
PAINT	ELECTROSTATIC COATING	
COLOR	LIGHT GRAY - DARK GRAY	
PACKAGING	1 PCS/BOX	



DT-335	STANDARD 187 x 282 x 87 mm	ALUMINIUM INSTRUMENT ENCLOSURES
DT-335-K	W/ HANDLE	SUITABLE ACCESSORIES
MATERIAL		A-951 TILTING FOOT
PLASTICS	ABS	A-97 HANDLE
BODY	ALUMINIUM	A-98 HANDLE
PAINT	ELECTROSTATIC COATING	
COLOR	LIGHT GRAY - DARK GRAY	
PACKAGING	1 PCS/BOX	



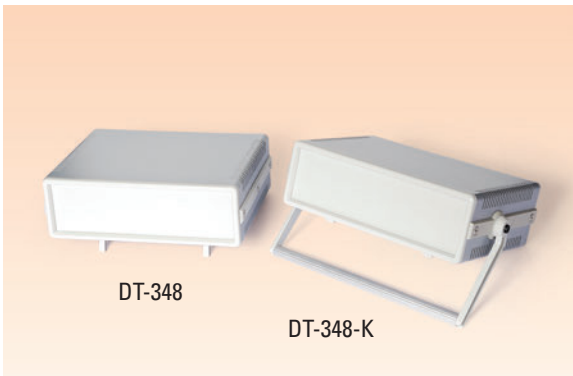
DT-340	288 x 163 x 105 mm	ALUMINIUM INSTRUMENT ENCLOSURES
MATERIAL		SUITABLE ACCESSORIES
PLASTICS	ABS	A-951 TILTING FOOT
BODY	ALUMINIUM	A-97 HANDLE
PAINT	ELECTROSTATIC COATING	A-98 HANDLE
COLOR	LIGHT GRAY - DARK GRAY	
PACKAGING	1 PCS/BOX	



DT-345	288 x 271 x 105 mm	ALUMINIUM INSTRUMENT ENCLOSURES
DT-345-K	W/ HANDLE	SUITABLE ACCESSORIES
MATERIAL		A-951 TILTING FOOT
PLASTICS	ABS	A-97 HANDLE
BODY	ALUMINIUM	A-98 HANDLE
PAINT	ELECTROSTATIC COATING	
COLOR	LIGHT GRAY - DARK GRAY	
PACKAGING	1 PCS/BOX	



DT-346	350 x 159 x 115 mm	ALUMINIUM INSTRUMENT ENCLOSURES
MATERIAL		SUITABLE ACCESSORIES
PLASTICS	ABS	A-951 TILTING FOOT
BODY	ALUMINIUM	A-97 HANDLE
PAINT	ELECTROSTATIC COATING	A-98 HANDLE
COLOR	LIGHT GRAY - DARK GRAY	
PACKAGING	1 PCS/BOX	



DT-348

STANDARD
350 x 288 x 115 mm

ALUMINIUM INSTRUMENT ENCLOSURES

DT-348-K

W/ HANDLE

SUITABLE ACCESSORIES

A-951 TILTING FOOT

A-97 HANDLE

A-98 HANDLE

MATERIAL	
PLASTICS	ABS
BODY	ALUMINIUM
PAINT	ELECTROSTATIC COATING
COLOR	LIGHT GRAY - DARK GRAY
PACKAGING	1 PCS/BOX



DT-350

STANDARD
288 x 165 x 150 mm

ALUMINIUM INSTRUMENT ENCLOSURES

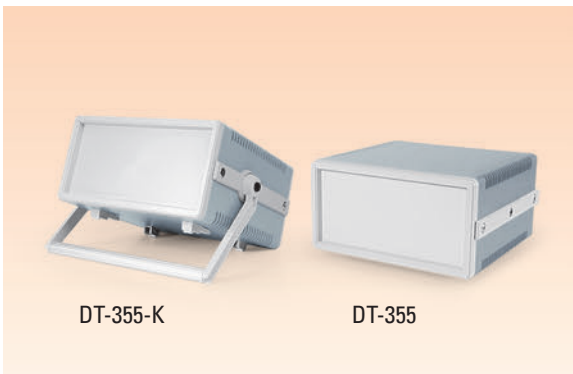
MATERIAL	
PLASTICS	ABS
BODY	ALUMINIUM
PAINT	ELECTROSTATIC COATING
COLOR	LIGHT GRAY - DARK GRAY
PACKAGING	1 PCS/BOX

SUITABLE ACCESSORIES

A-951 TILTING FOOT

A-97 HANDLE

A-98 HANDLE



DT-355

274 x 288 x 150 mm

ALUMINIUM INSTRUMENT ENCLOSURES

DT-355-K

W/ HANDLE

SUITABLE ACCESSORIES

A-951 TILTING FOOT

A-97 HANDLE

A-98 HANDLE

MATERIAL	
PLASTICS	ABS
BODY	ALUMINIUM
PAINT	ELECTROSTATIC COATING
COLOR	LIGHT GRAY - DARK GRAY
PACKAGING	1 PCS/BOX



DT-360

438 x 165 x 150 mm

ALUMINIUM INSTRUMENT ENCLOSURES

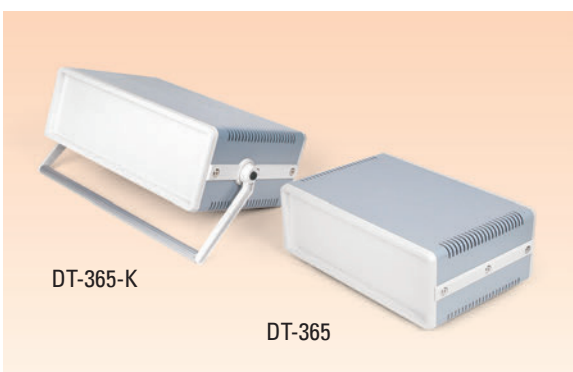
MATERIAL	
PLASTICS	ABS
BODY	ALUMINIUM
PAINT	ELECTROSTATIC COATING
COLOR	LIGHT GRAY - DARK GRAY
PACKAGING	1 PCS/BOX

SUITABLE ACCESSORIES

A-951 TILTING FOOT

A-97 HANDLE

A-98 HANDLE



DT-365

STANDARD
438 x 275 x 150 mm

ALUMINIUM INSTRUMENT ENCLOSURES

DT-365-K

W/ HANDLE

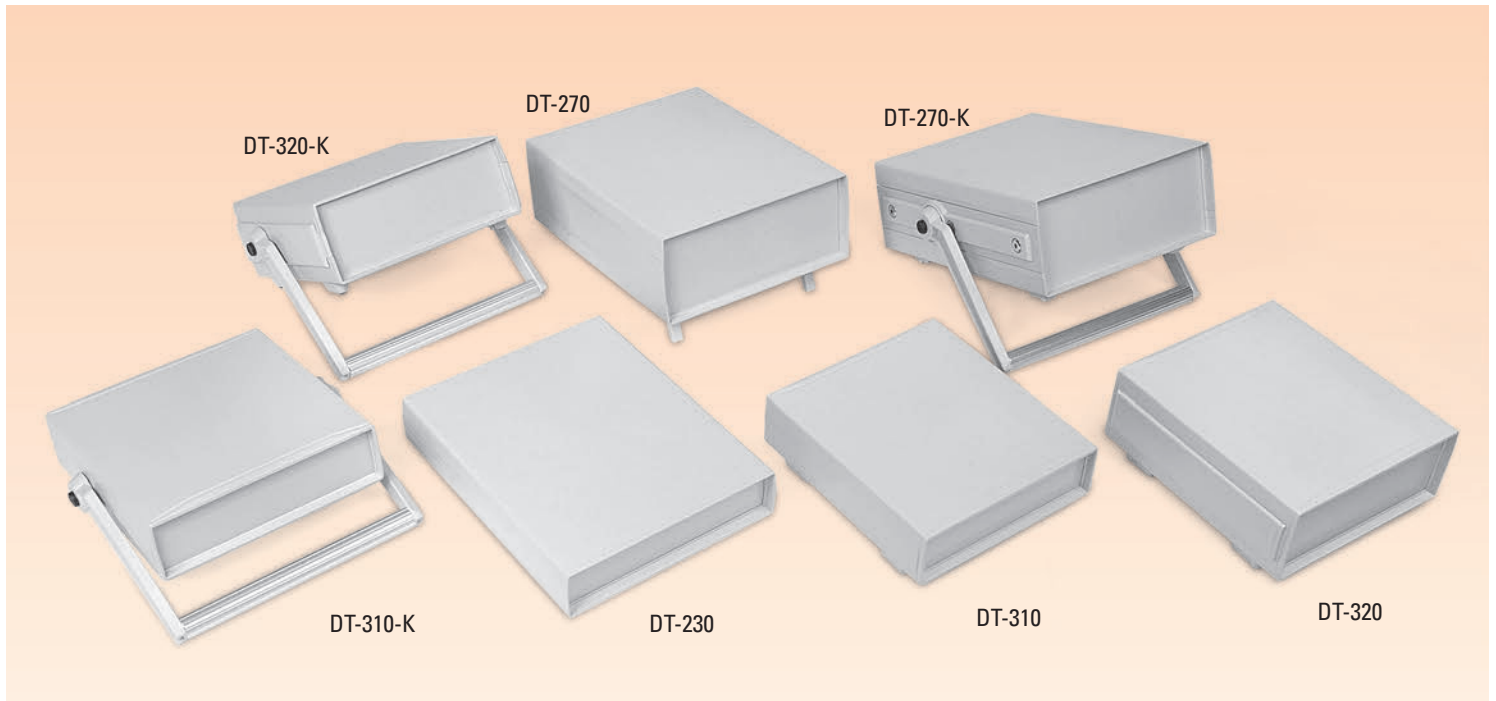
SUITABLE ACCESSORIES

A-951 TILTING FOOT

A-97 HANDLE

A-98 HANDLE

MATERIAL	
PLASTICS	ABS
BODY	ALUMINIUM
PAINT	ELECTROSTATIC COATING
COLOR	LIGHT GRAY - DARK GRAY
PACKAGING	1 PCS/BOX

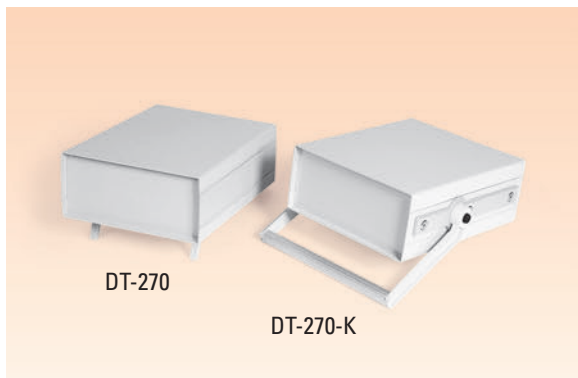


PLASTIC INSTRUMENT ENCLOSURES



DT-230

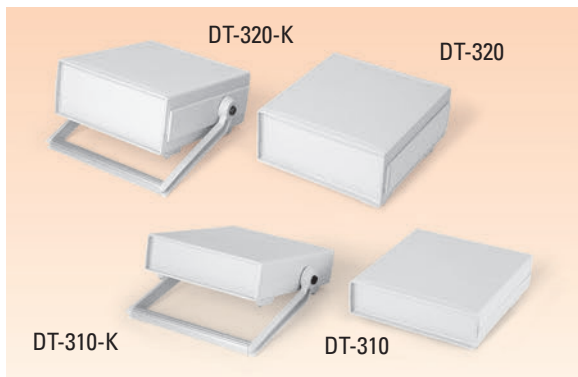
DT-230	228 x 285 x 52 mm	PLASTIC INSTRUMENT ENCLOSURES
MATERIAL	ABS	
COLOR	LIGHT GRAY	
PACKAGING	1 PCS/BOX	



DT-270

DT-270-K

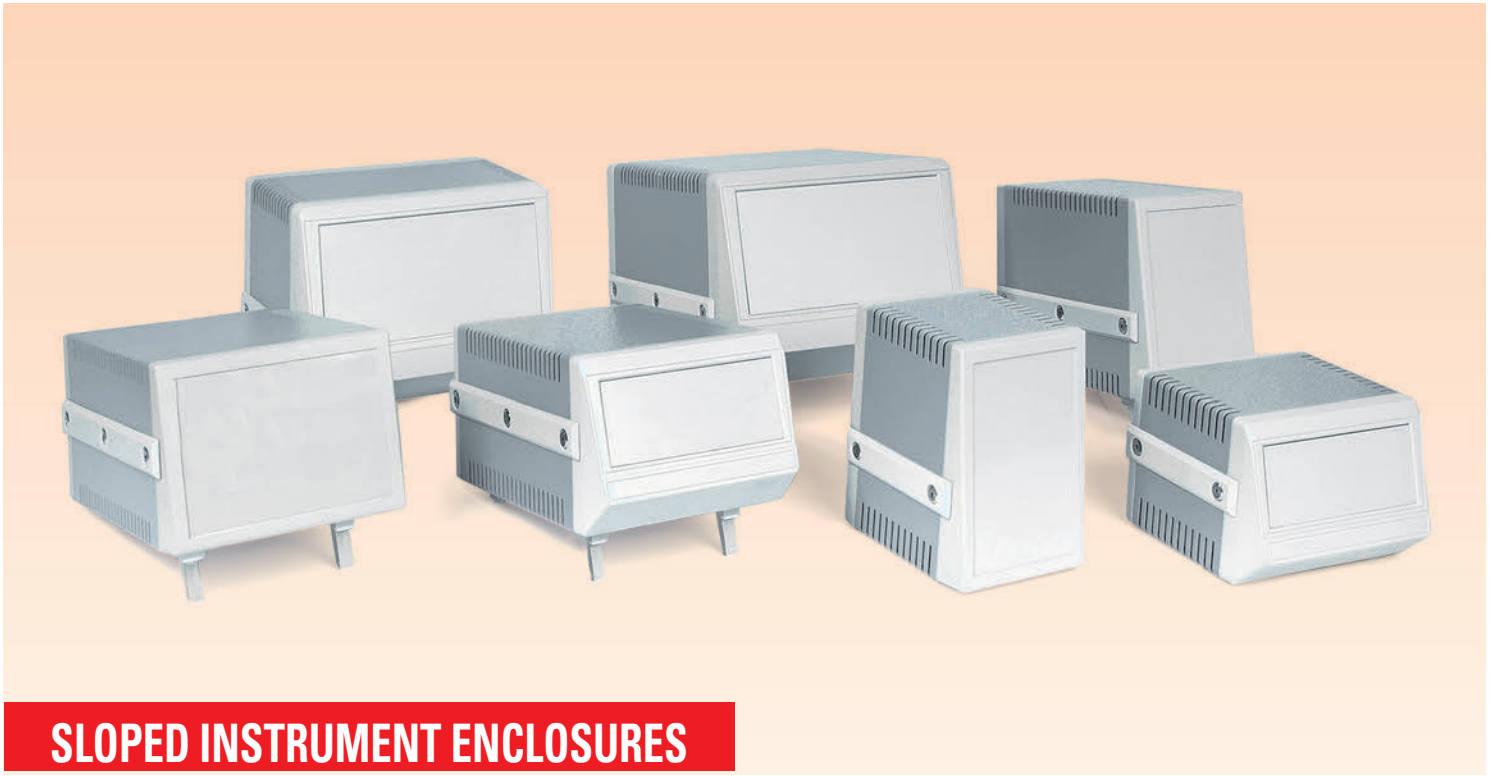
DT-270	STANDARD 228 x 285 x 100 mm	PLASTIC INSTRUMENT ENCLOSURES
DT-270-K	W/ HANDLE	SUITABLE ACCESSORIES
MATERIAL	ABS	A-951 TILTING FOOT
COLOR	LIGHT GRAY	A-93 WIRE FOOT
PACKAGING	1 PCS/BOX	



DT-310-K

DT-310

DT-310	STANDARD 212 x 230 x 64 mm	PLASTIC INSTRUMENT ENCLOSURES	
DT-310-K	W/ HANDLE	MATERIAL	ABS
DT-320	STANDARD 220 x 230 x 87	COLOR	LIGHT GRAY
DT-320-K	HANDLE	PACKAGING	1 PCS/BOX
		SUITABLE ACCESSORIES	
		A-951 TILTING FOOT	
		A-93 WIRE FOOT	



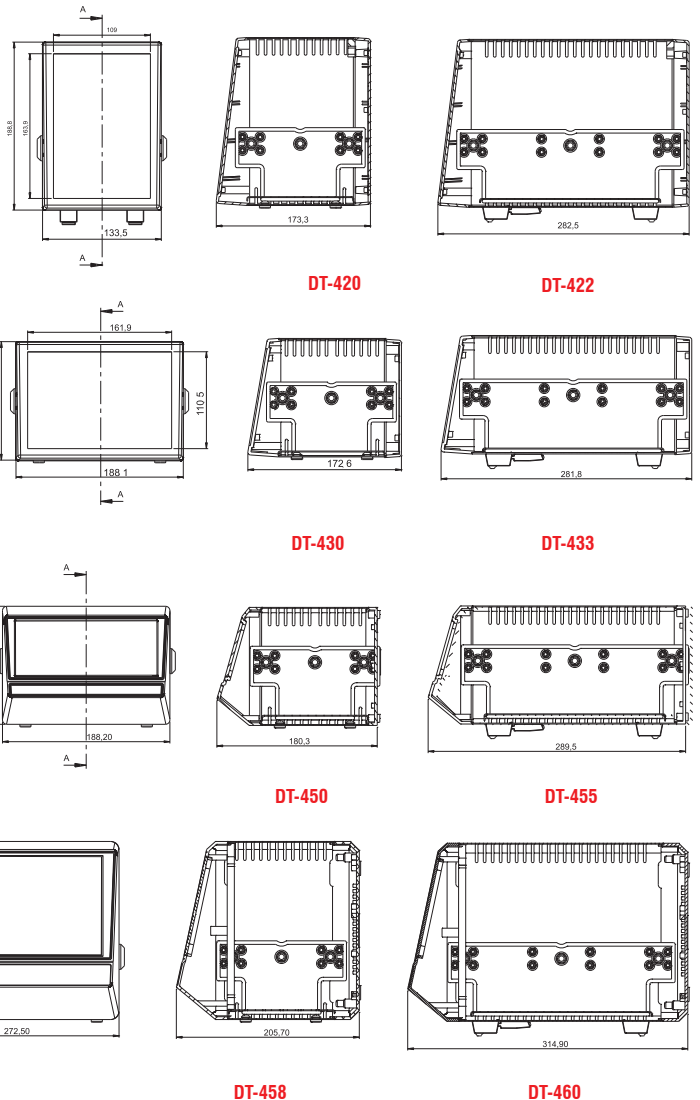
SLOPED INSTRUMENT ENCLOSURES

- Useful for laboratory, medical measurement, measuring and control systems, power supplies and educational sets.
- plastic and metal hybrid design
- High quality ABS made plastic parts
- Electrostatic powder coated 1 mm mild steel
- Perforated, galvanized internal mild steel mounting plate
- Optional tilting foot
- Optional metal handle (see picture below A-97/A-98)
- Customizable panels



METAL HANDLE
 A-97 185 mm AXIAL DISTANCE
 A-98 132 mm AXIAL DISTANCE

Code	Width A	Length B	Height C
DT-460	273	315	201
DT-458	273	206	201
DT-455	189	290	133
DT-450	189	181	133
DT-433	188	282	134
DT-430	188	173	134
DT-428	188	124	134
DT-422	134	283	189
DT-420	134	173	189





DT-420

134 x 173 x 189 mm

SLOPED INSTRUMENT ENCLOSURES

MATERIALS:

PLASTICS	ABS
BODY	METAL SHEET
PAINT	ELECTROSTATIC COATING
COLOR	GRAY
PACKAGING	1 PCS/BOX



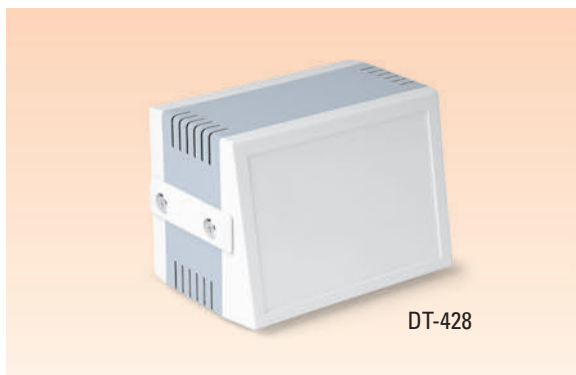
DT-422

134 x 283 x 189 mm

SLOPED INSTRUMENT ENCLOSURES

MATERIALS:

PLASTICS	ABS
BODY	METAL SHEET
PAINT	ELECTROSTATIC COATING
COLOR	GRAY
PACKAGING	1 PCS/BOX



DT-428

188 x 124 x 134 mm

SLOPED INSTRUMENT ENCLOSURES

MATERIALS:

PLASTICS	ABS
BODY	METAL SHEET
PAINT	ELECTROSTATIC COATING
COLOR	GRAY
PACKAGING	1 PCS/BOX



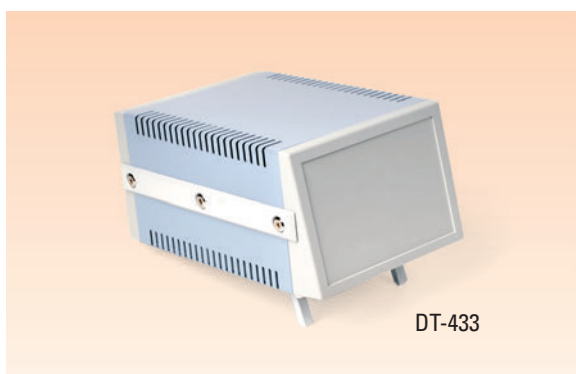
DT-430

188 x 173 x 134 mm

SLOPED INSTRUMENT ENCLOSURES

MATERIAL:

PLASTICS	ABS
BODY	METAL SHEET
PAINT	ELECTROSTATIC COATING
COLOR	GRAY
PACKAGING	1 PCS/BOX



DT-433

188 x 282 x 134 mm

SLOPED INSTRUMENT ENCLOSURES

MATERIAL:

PLASTICS	ABS
BODY	METAL SHEET
PAINT	ELECTROSTATIC COATING
COLOR	GRAY
PACKAGING	1 PCS/BOX



DT-450



DT-455

DT-450

189 x 181 x 133 mm

SLOPED INSTRUMENT ENCLOSURES

MATERIALS:

PLASTICS	ABS
BODY	METAL SHEET
PAINT	ELECTROSTATIC COATING
COLOR	GRAY
PACKAGING	1 PCS/BOX

DT-455

189 x 290 x 133 mm

SLOPED INSTRUMENT ENCLOSURES

MATERIALS:

PLASTICS	ABS
BODY	METAL SHEET
PAINT	ELECTROSTATIC COATING
COLOR	GRAY
PACKAGING	1 PCS/BOX



DT-458



DT-460

DT-458

273 x 206 x 201 mm

SLOPED INSTRUMENT ENCLOSURES

MATERIALS:

PLASTICS	ABS
BODY	METAL SHEET
PAINT	ELECTROSTATIC COATING
COLOR	GRAY
PACKAGING	1 PCS/BOX

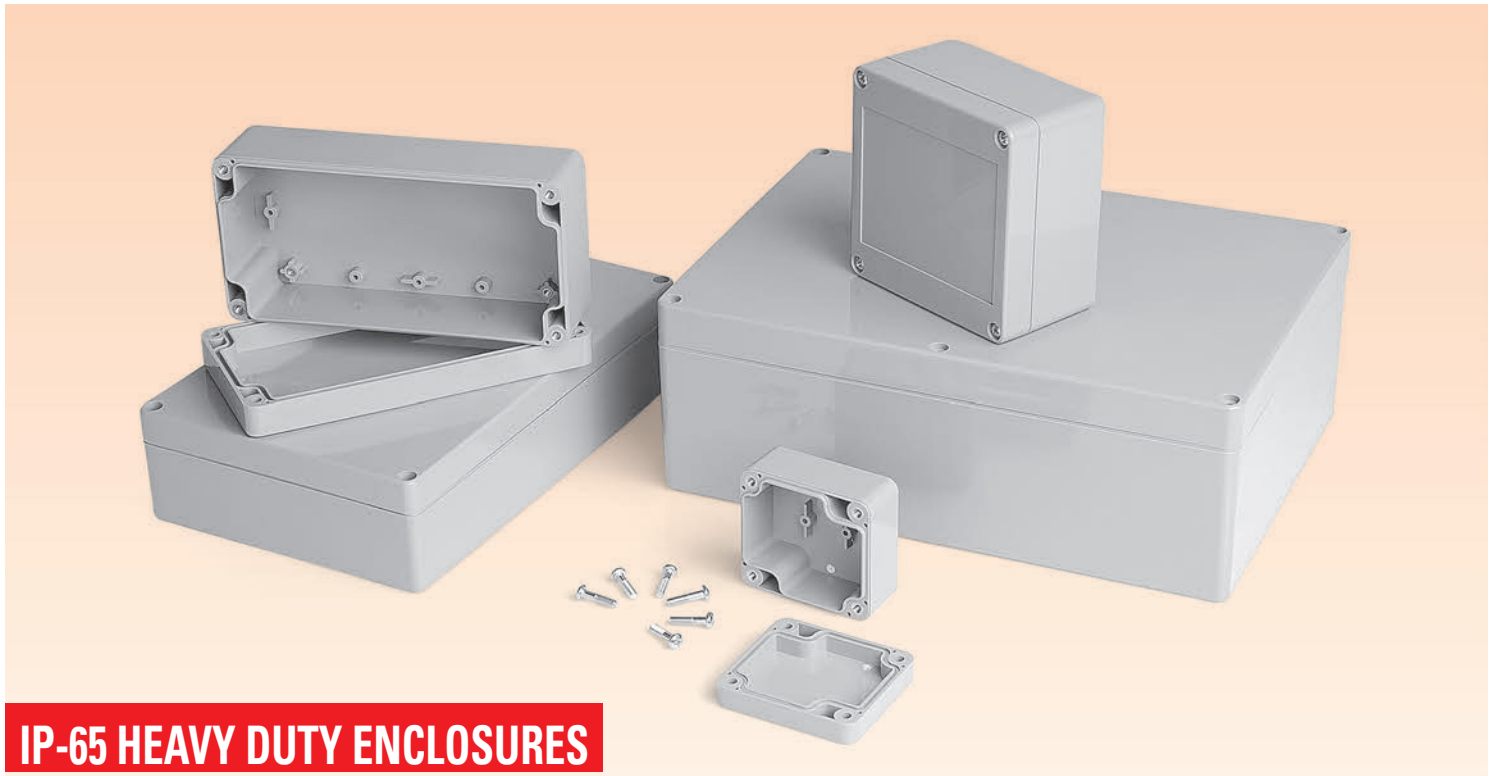
DT-460

273 x 315 x 201 mm

SLOPED INSTRUMENT ENCLOSURES

MATERIALS:

PLASTICS	ABS
BODY	METAL SHEET
PAINT	ELECTROSTATIC COATING
COLOR	GRAY
PACKAGING	1 PCS/BOX

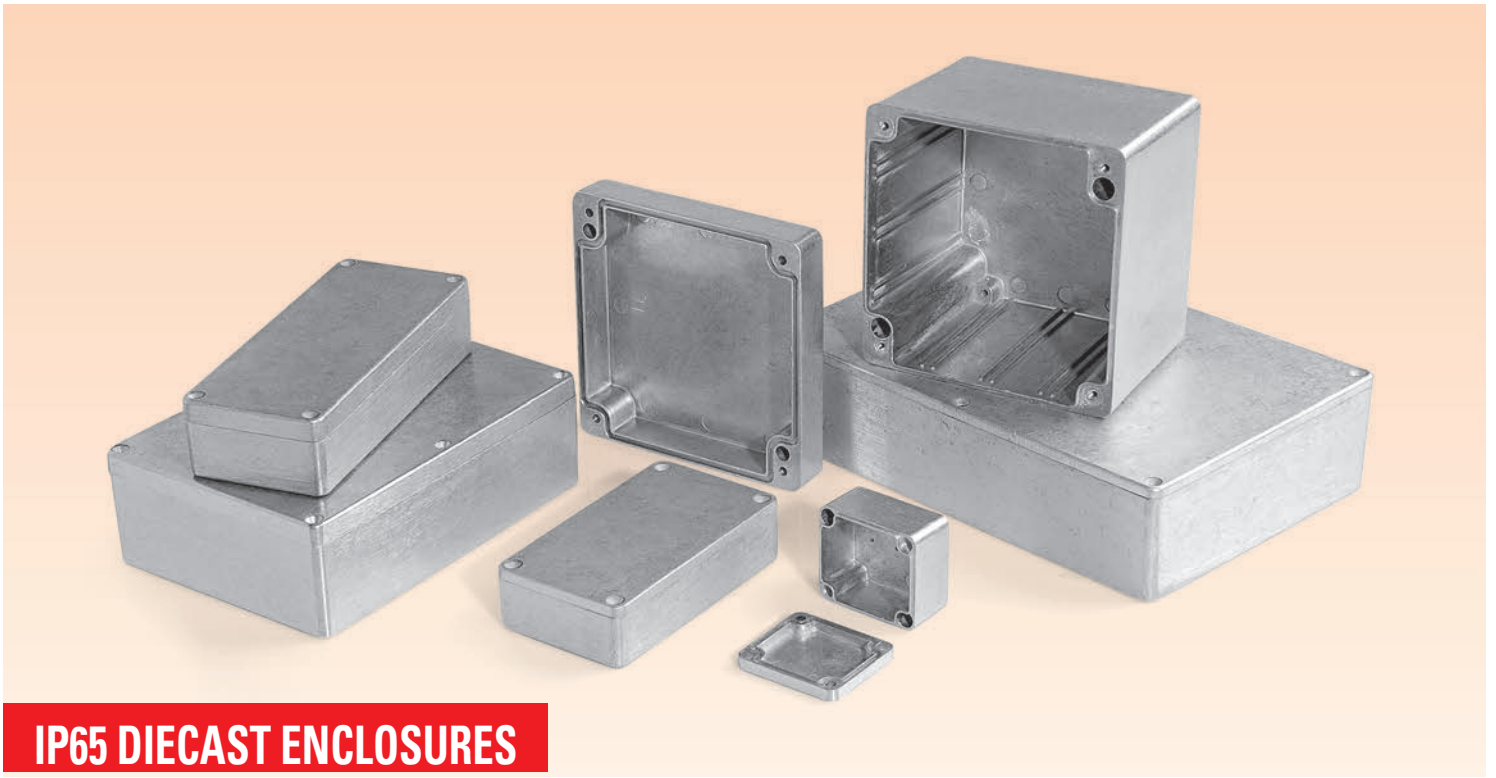


IP-65 HEAVY DUTY ENCLOSURES

- IP-65 Protection class, sealed enclosures
- TPE continuous seal
- M4 stainless screws
- RoHS compliant
- ABS material
- -20 to +80 Operating temperature
- Polycarbonate clear lid optional
- Brass inserts for enclosure lid screws and PCB mounting
- Lid screws and wall mounting holes are outside sealed area to satisfy IP-65 protection to dust, liquid and moisture

CODE	W	L	H	PROTECTION CLASS	DESCRIPTION
SE-202	52	50	35	IP-65	Dark Grey ABS
SE-204	64	58	35	IP-65	Dark Grey ABS
SE-206	82	80	55	IP-65	Dark Grey ABS
SE-208	184	36	35	IP-65	Dark Grey ABS
SE-210	115	65	40	IP-65	Dark Grey ABS
SE-212	115	65	55	IP-65	Dark Grey ABS
SE-214	120	80	55	IP-65	Dark Grey ABS
SE-216	120	80	85	IP-65	Dark Grey ABS
SE-218	100	100	55	IP-65	Dark Grey ABS
SE-220	100	100	90	IP-65	Dark Grey ABS
SE-222	115	90	55	IP-65	Dark Grey ABS
SE-224	115	90	80	IP-65	Dark Grey ABS
SE-226	160	80	55	IP-65	Dark Grey ABS
SE-228	160	80	85	IP-65	Dark Grey ABS
SE-230	120	120	60	IP-65	Dark Grey ABS
SE-232	120	120	90	IP-65	Dark Grey ABS
SE-234	195	80	55	IP-65	Dark Grey ABS
SE-236	171	121	55	IP-65	Dark Grey ABS

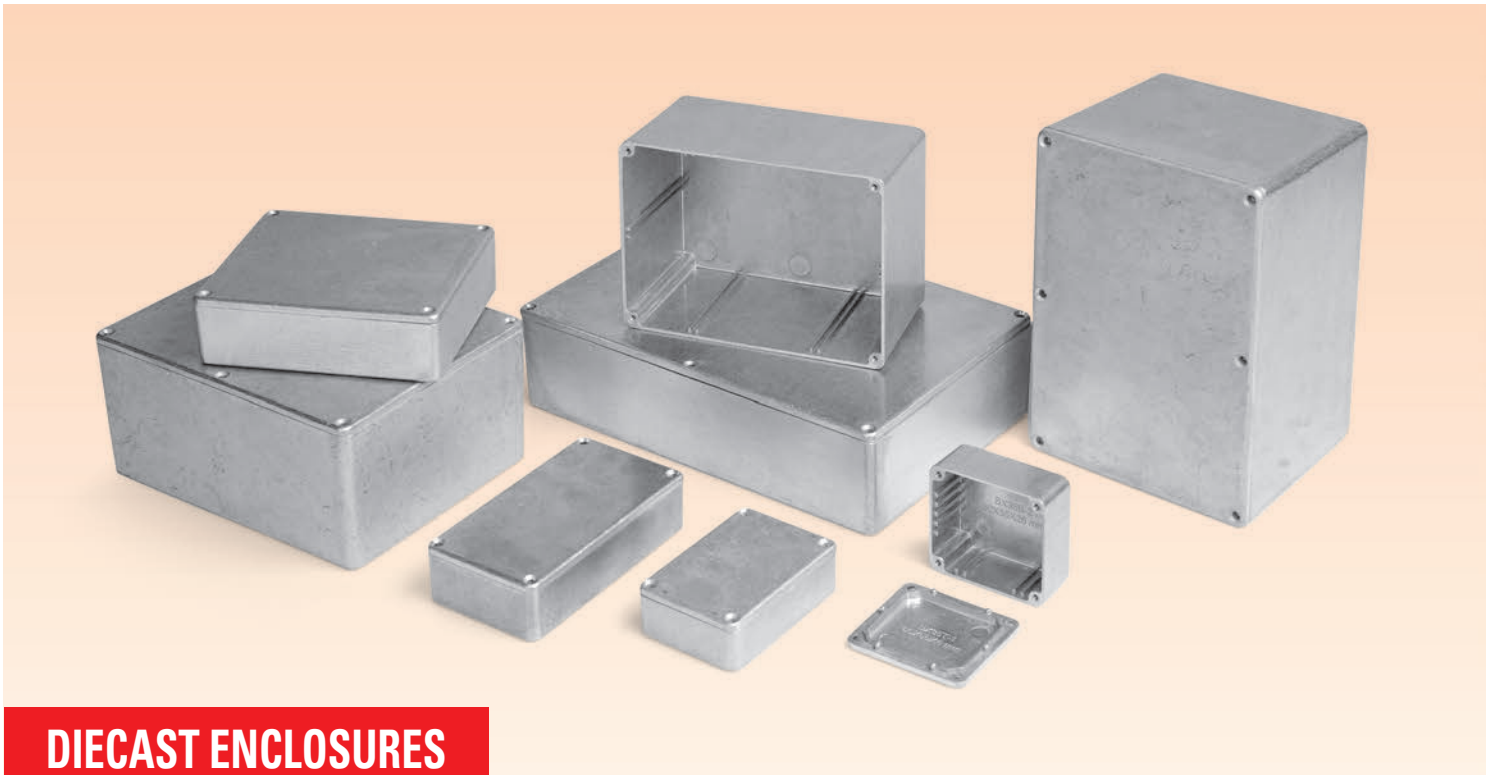
CODE	W	L	H	PROTECTION CLASS	DESCRIPTION
SE-238	171	121	80	IP-65	Dark Grey ABS
SE-240	200	120	75	IP-65	Dark Grey ABS
SE-242	200	120	90	IP-65	Dark Grey ABS
SE-244	160	160	60	IP-65	Dark Grey ABS
SE-246	160	160	90	IP-65	Dark Grey ABS
SE-248	240	120	60	IP-65	Dark Grey ABS
SE-249	190	190	55	IP-65	Dark Grey ABS
SE-250	240	120	100	IP-65	Dark Grey ABS
SE-252	200	150	55	IP-65	Dark Grey ABS
SE-254	200	150	75	IP-65	Dark Grey ABS
SE-256	222	146	55	IP-65	Dark Grey ABS
SE-258	222	146	75	IP-65	Dark Grey ABS
SE-260	240	160	90	IP-65	Dark Grey ABS
SE-262	240	160	120	IP-65	Dark Grey ABS
SE-264	265	185	95	IP-65	Dark Grey ABS
SE-266	353	140	121,5	IP-65	Dark Grey ABS
SE-268	300	230	86	IP-65	Dark Grey ABS
SE-270	300	230	111	IP-65	Dark Grey ABS
SE-272	360	200	150	IP-65	Dark Grey ABS



IP65 DIECAST ENCLOSURES

- Aluminium injection enclosures in standard sizes
- IP-65 protection class, sealed enclosures
- ADC-12 aluminium alloy
- Neoprene seal
- M4 stainless screws
- RoHS compliant
- Natural aluminium color can be painted
- Lid screws and wall mounting holes are outside sealed area to satisfy IP-65 protection to dust, liquid and moisture

CODE	WIDTH	LENGTH	HEIGHT	PROTECTION CLASS	DESCRIPTION
SE-301	50	45	30	IP-65	IP65 Sealed Enclosure
SE-303	90	36	30	IP-65	IP65 Sealed Enclosure
SE-305	64	58	35	IP-65	IP65 Sealed Enclosure
SE-307	98	64	34	IP-65	IP65 Sealed Enclosure
SE-309	115	65	30	IP-65	IP65 Sealed Enclosure
SE-311	115	65	55	IP-65	IP65 Sealed Enclosure
SE-313	150	63	36,5	IP-65	IP65 Sealed Enclosure
SE-315	125	80	40	IP-65	IP65 Sealed Enclosure
SE-317	125	80	57	IP-65	IP65 Sealed Enclosure
SE-319	115	90	55	IP-65	IP65 Sealed Enclosure
SE-321	120,5	120,5	101,5	IP-65	IP65 Sealed Enclosure
SE-323	148	108	75	IP-65	IP65 Sealed Enclosure
SE-325	160	100	60	IP-65	IP65 Sealed Enclosure
SE-327	160	100	81	IP-65	IP65 Sealed Enclosure
SE-329	171	121	55	IP-65	IP65 Sealed Enclosure
SE-331	158,5	158,5	101,5	IP-65	IP65 Sealed Enclosure
SE-333	222	146	55	IP-65	IP65 Sealed Enclosure
SE-335	222	146	82	IP-65	IP65 Sealed Enclosure



DIECAST ENCLOSURES

- Aluminium diecast injection enclosures in standard sizes
- ADC-12 aluminium alloy
- IP-65 Protection with optional gasket
- Economic lightweight design
- Natural aluminium color can be painted
- 4x M3.5 stainless screws
- RoHS Compliant

CODE	W	L	H	PROTECTION CLASS	DESCRIPTION
SE-401	89	35	30		
SE-401-C	89	35	30	IP-65	With Gasket
SE-402	60	55	30		
SE-402-C	60	55	30	IP-65	With gasket
SE-403	80	55	25		
SE-403-C	80	55	25	IP-65	With gasket
SE-404	114	64	30		
SE-404-C	114	64	30	IP-65	With gasket
SE-405	114	64	55		
SE-405-C	114	64	55	IP-65	With gasket
SE-406	114	89	55		
SE-406-C	114	89	55	IP-65	With gasket
SE-407	120	100	35		
SE-407-C	120	100	35	IP-65	With gasket
SE-408	140	100	75		
SE-408-C	140	100	75	IP-65	With gasket

CODE	W	L	H	PROTECTION CLASS	DESCRIPTION
SE-409	171	121	55		
SE-409-C	171	121	55	IP-65	With gasket
SE-410	171	121	106		
SE-410-C	171	121	106	IP-65	With gasket
SE-411	165	127	75		
SE-411-C	165	127	75	IP-65	With gasket
SE-412	222	146	55		
SE-412-C	222	146	55	IP-65	With gasket
SE-413	222	146	106		
SE-413-C	222	146	106	IP-65	With gasket
SE-414	275	175	65		
SE-414-C	275	175	65	IP-65	With gasket
SE-415	250	250	100		
SE-415-C	250	250	100	IP-65	With gasket



DISPLAY ENCLOSURES



MOUNTING SET

A-954

25 x 50 x 97 mm

ANGLED MOUNTING SET

COLOR DARK GRAY / BLACK

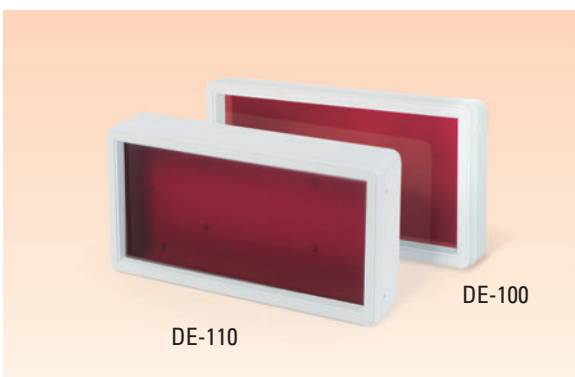
SUITABLE ENCLOSURES

DE-120

DE-130

DE-150

DE-153



DE-110

DE-100

DE-100

288 x 150 x 36 mm

DISPLAY ENCLOSURES

DT-110

288 x 150 x 56 mm

PANEL OPTIONS

RED SATIN / GLOSSY RED / GRAY

SUITABLE ACCESSORIES

A-58 CLICK WALL MOUNT

MATERIAL

BODY ABS

PANEL PLEXIGLASS

COLOR GRAY / BLACK

PACKAGING 1 PCS/BOX



DE-115

DE-115

350 x 115 x 50 mm

DISPLAY ENCLOSURES

MATERIAL

BODY ABS

PANEL PLEXIGLASS

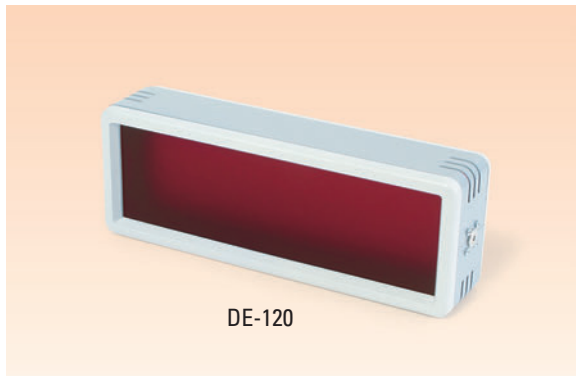
COLOR GRAY / BLACK

PACKAGING 10 PCS/BOX

PANEL OPTIONS

RED SATIN (GLOSSY+FROSTED)

RED GLOSSY (GLOSSY+GLOSSY)



DE-120

DOUBLE SIDED
288 x 103 x 68 mm

DISPLAY ENCLOSURES

MATERIAL	
BODY	ALUMINIUM
FRAME	ABS
COLOR	GRAY
PANEL	PLEXIGLASS
PACKAGING	10 PCS/BOX

PANEL OPTIONS	
RED SATIN / GLOSSY RED	



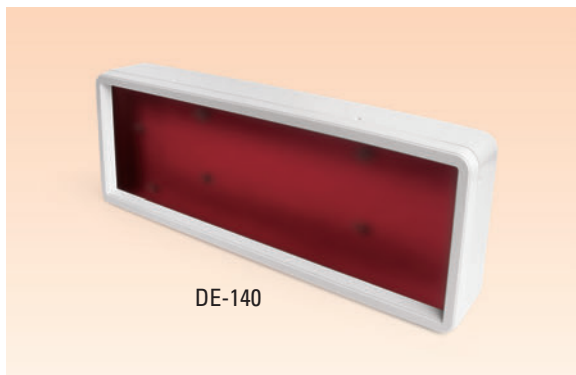
DE-130

DOUBLE SIDED
288 x 150 x 73 mm

DISPLAY ENCLOSURES

MATERIAL	
BODY	ALUMINIUM
FRAME	ABS
COLOR	GRAY
PANEL	PLEXIGLASS
PACKAGING	10 PCS/BOX

PANEL OPTIONS	
RED SATIN / GLOSSY RED	



DE-140

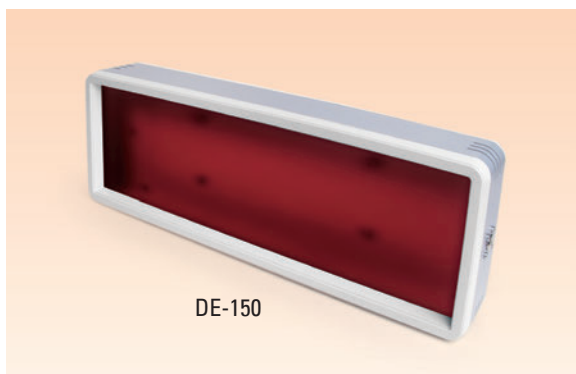
430 x 150 x 60 mm

DISPLAY ENCLOSURES

MATERIAL	
BODY	ABS
COLOR	GRAY / BLACK
PANEL	PLEXIGLASS
PACKAGING	10 PCS/BOX

SUITABLE ACCESSORIES	
A-58 CLICK WALL MOUNT	

PANEL OPTIONS	
RED SATIN / GLOSSY RED	



DE-150

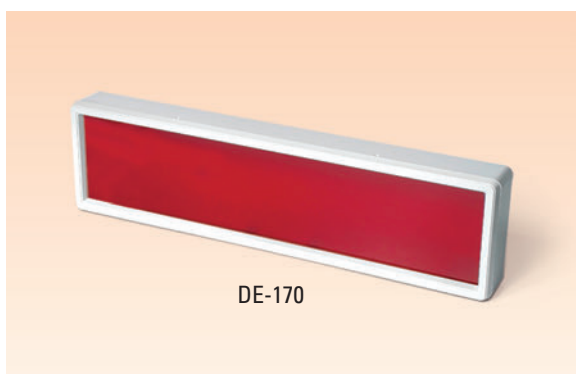
DOUBLE SIDED
430 x 150 x 74 mm

DISPLAY ENCLOSURES

MATERIAL	
BODY	ALUMINIUM
FRAME	ABS
COLOR	GRAY
PANEL	PLEXIGLASS
PACKAGING	10 PCS/BOX

SUITABLE ACCESSORIES	
A-58 CLICK WALL MOUNT	

PANEL OPTIONS	
RED SATIN / GLOSSY RED	



DE-170

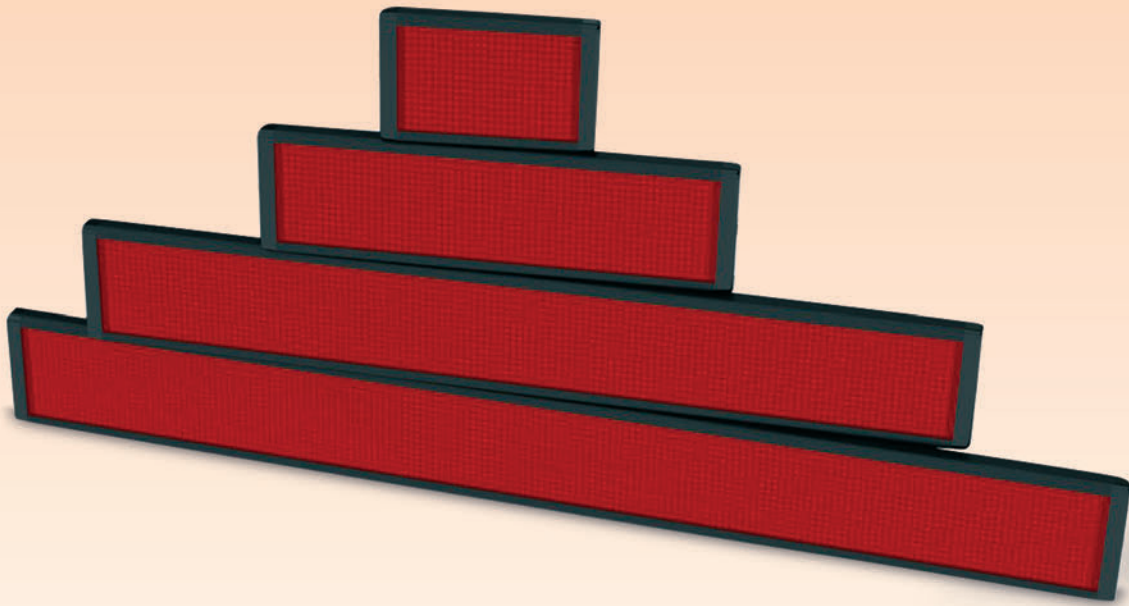
570 x 150 x 60 mm

DISPLAY ENCLOSURES

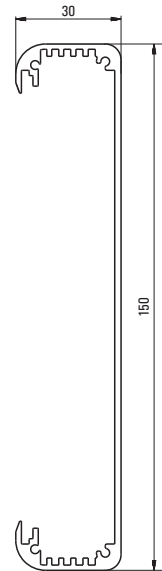
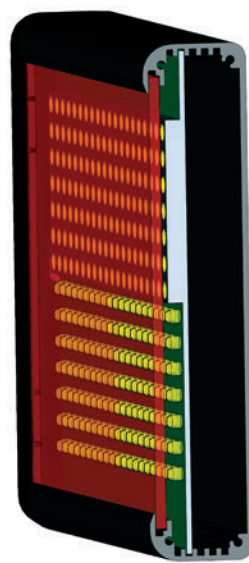
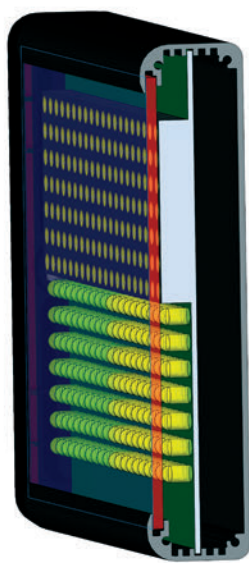
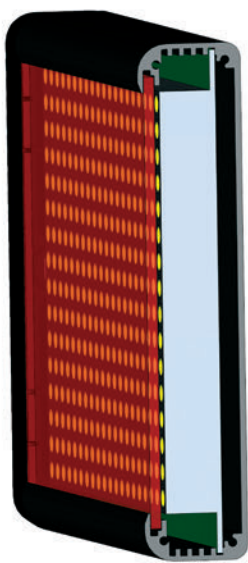
MATERIAL	
BODY	ABS
COLOR	GRAY / BLACK
PANEL	PLEXIGLASS
PACKAGING	10 PCS/BOX

PANEL OPTIONS	
RED SATIN (GLOSSY+FROSTED)	
RED GLOSSY (GLOSSY+GLOSSY)	

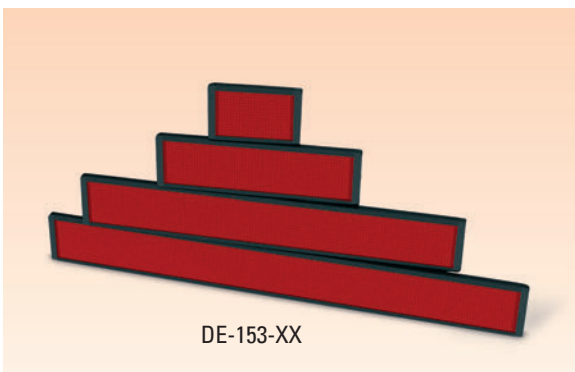
SUITABLE ACCESSORIES	
A-58 CLICK WALL MOUNT	



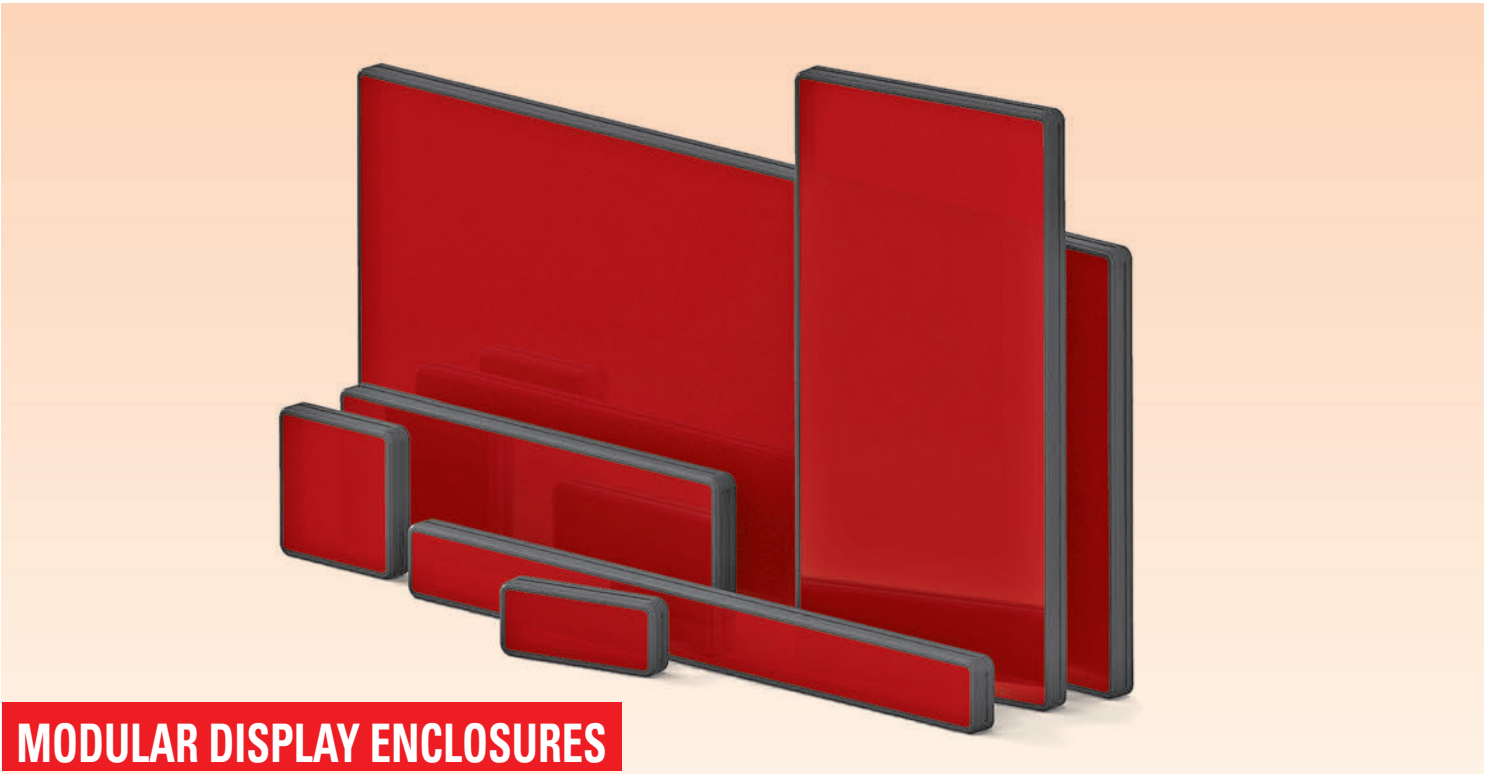
PROFILE DISPLAY ENCLOSURES



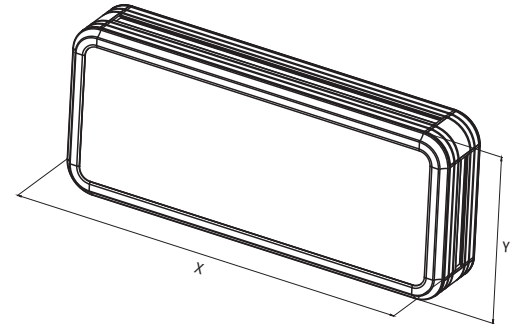
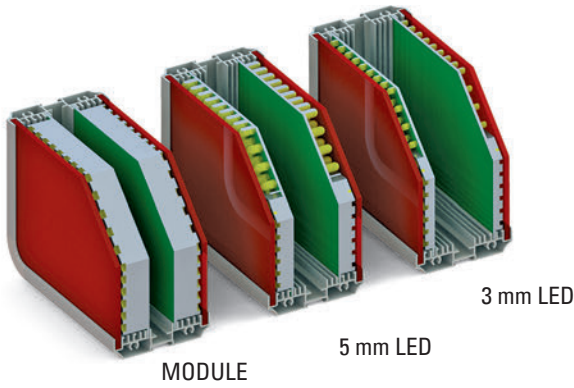
CARD RAILS FOR DIFFERENT TYPES OF LEDS AND 7-SEGMENT DISPLAYS.



DE-153-26	150 x 30 x 300 mm	ALUMINIUM PROFILE ENCLOSURES	
DE-153-53	150 x 30 x 570 mm	MATERIAL	ALUMINIUM 6063
DE-153-76	150 x 30 x 800 mm	COLOR	BLACK
DE-153-110	150 x 30 x 1140 mm	SURFACE	MATTE ELECTROSTATIC PAINT
DE-153-XX	150 x 30 x (CUSTOM) mm	PLASTIC END CAPS	BLACK
		* DE-153-XX LENGTH IS CUSTOMIZABLE BETWEEN 4cm AND 3m .	



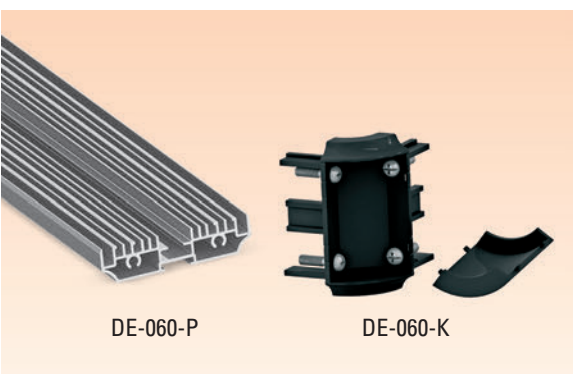
MODULAR DISPLAY ENCLOSURES



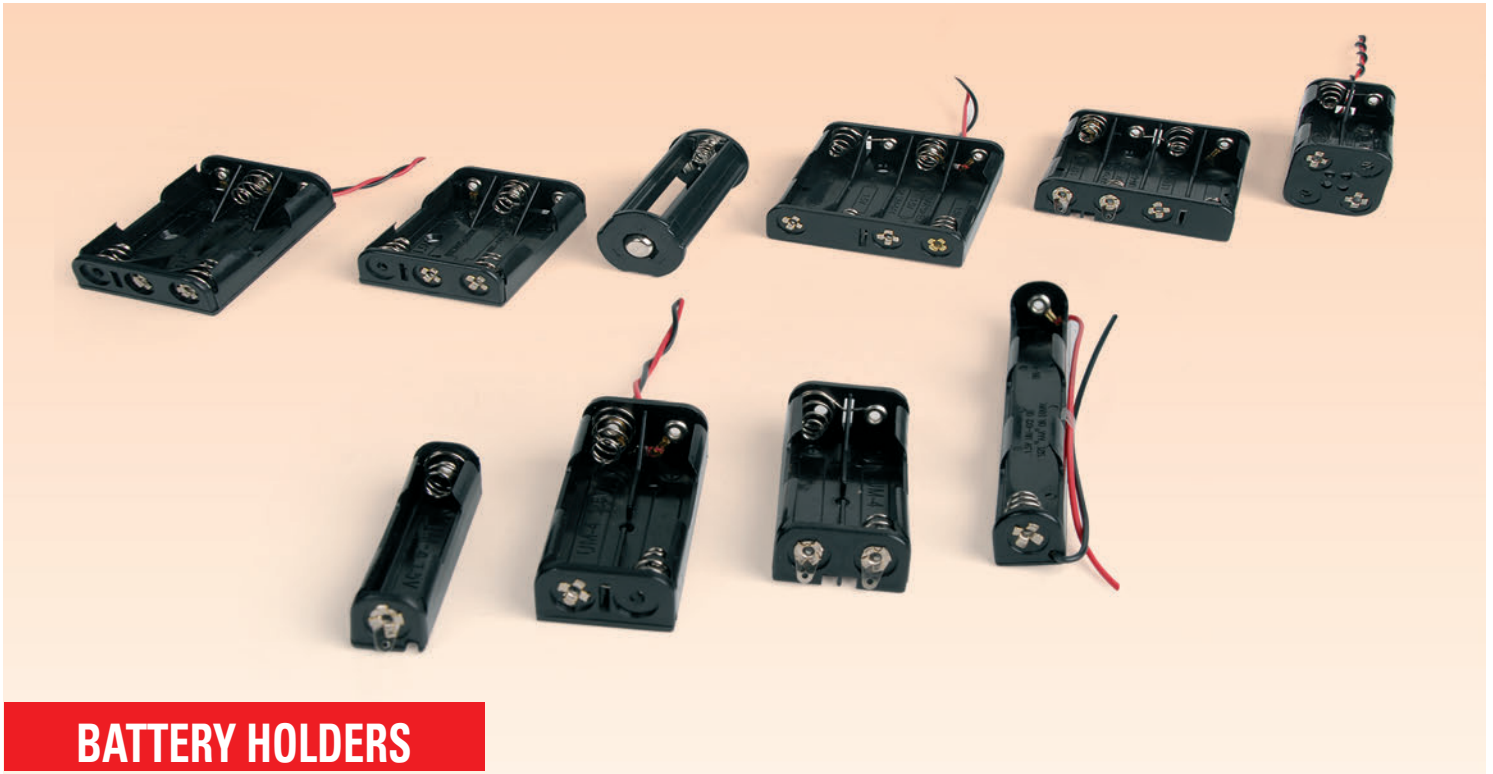
CARD RAILS FOR DIFFERENT TYPES OF LEDS AND 7-SEGMENT DISPLAYS.



DE-060-X-Y	X-Y-6 cm	MODULAR DISPLAY ENCLOSURES	
DE-060-15-150	15 x 150 x 6 cm	MATERIAL	ALUMINIUM 6063
DE-060-30-150	30 x 150 x 6 cm	COLOR	BLACK / NATURAL ANODIZED
DE-060-60-120	60 x 120 x 6 cm	SURFACE	ELECTROSTATIC PAINTT / ANODIZED
PANEL OPTIONS			
		RED SATIN (GLOSSY+FROSTED)	
		RED GLOSSY (GLOSSY+GLOSSY)	
		SMOKED GLOSSY	
* DE-060-X-Y LENGTH IS CUSTOMIZABLE BETWEEN 10cm AND 2m .			



DE-060-P-X	PROFILE 6 x 1,5 x X cm	MODULAR DISPLAY ENCLOSURES	
DE-060-K	BRACKET SET		
DE-060-P PROFİL		DE-060-K BRACKET SET	
MATERIAL	ALUMINIUM 6063	MATERIAL	ABS
COLOR	BLACK / NATURAL ANODIZED	COLOR	BLACK / LIGHT GRAY
		SCREWS	4 PCS M4 x 16 COMBO HEAD STAINLESS
* DE-060-P-X LENGTH IS CUSTOMIZABLE BETWEEN 4cm AND 3m .			



BATTERY HOLDERS

BC-0301 AA SIZE APPLICABLE PCB CONTACT

BH-311-1D 1 X AA SIZE BATTERY HOLDER

BH-321-1A 2 X AA SIZE BATTERY HOLDER

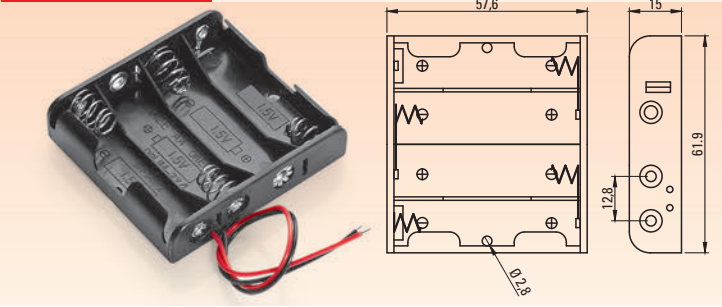
BH-325-1A 2 X AA SIZE BATTERY HOLDER

BH-331-1D 3 X AA SIZE BATTERY HOLDER

BH-333-A 3 X AA SIZE BATTERY HOLDER

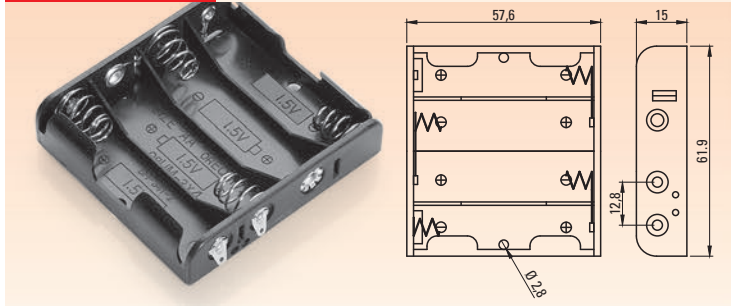
BH-341-2A

4 X AA SIZE BATTERY HOLDER



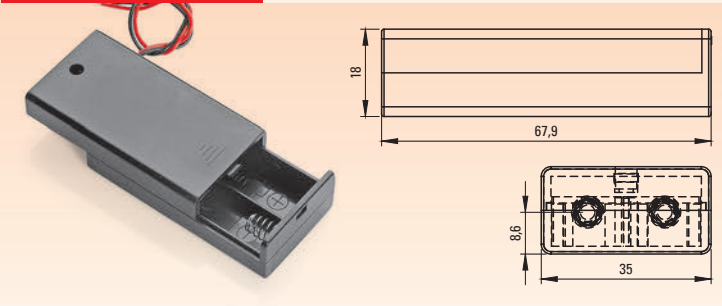
BH-341-2D

4 X AA SIZE BATTERY HOLDER



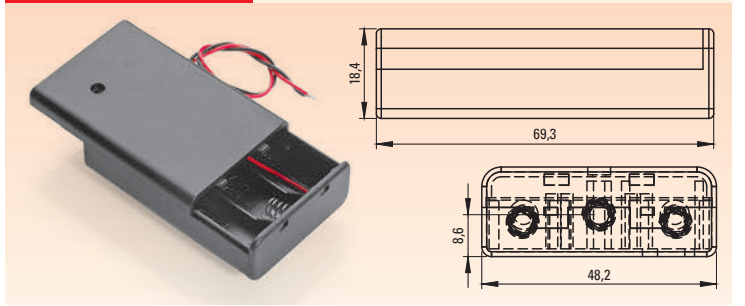
SBH-321-2A

2 X AA SIZE BATTERY HOLDER



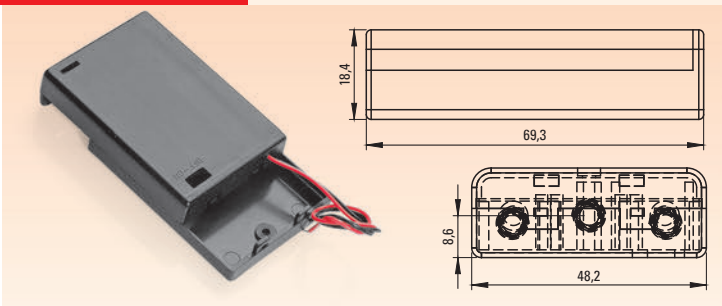
SBH-331-1A

3 X AA SIZE BATTERY HOLDER



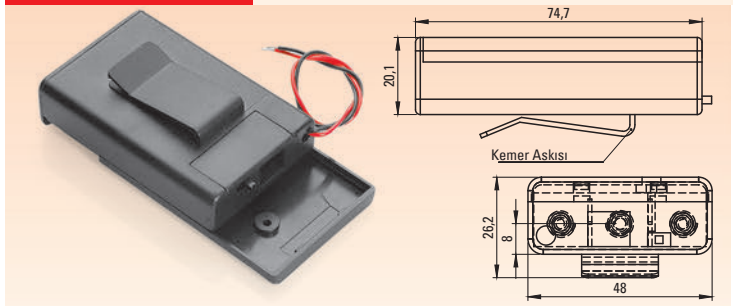
SBH-331-AS

3 X AA SIZE BATTERY HOLDER



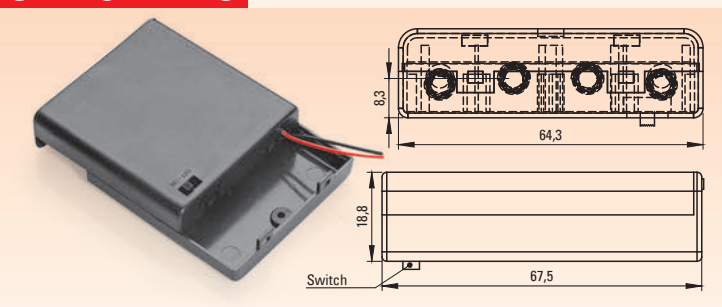
SBH-331-1AS

3 X AA SIZE BATTERY HOLDER



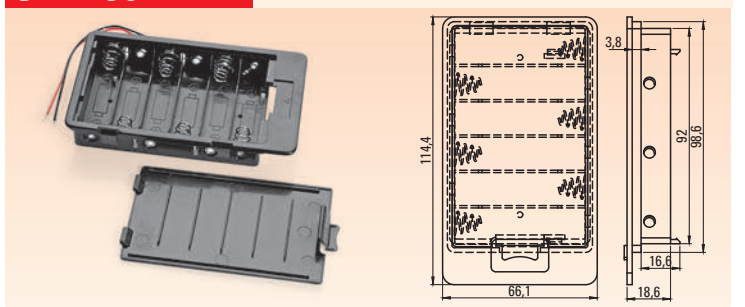
SBH-341-1AS

4 X AA SIZE BATTERY HOLDER



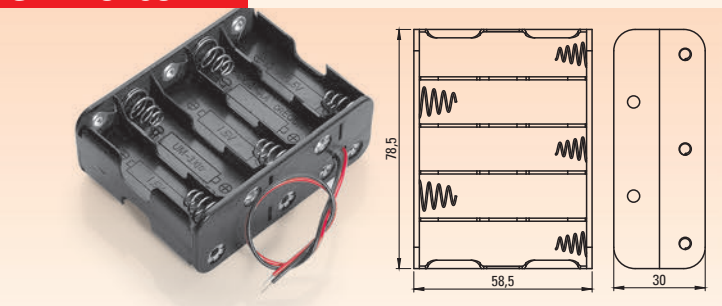
SBH-361-1A

6 X AA SIZE BATTERY HOLDER



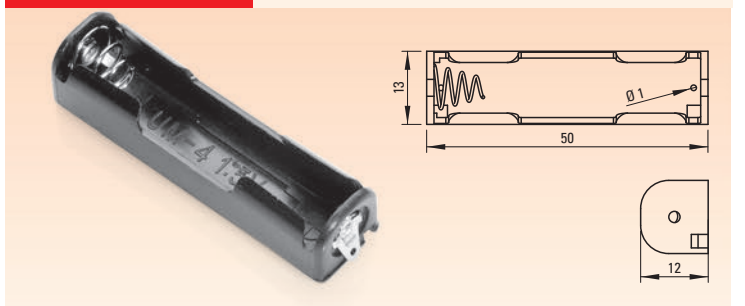
SBH-3103-1A

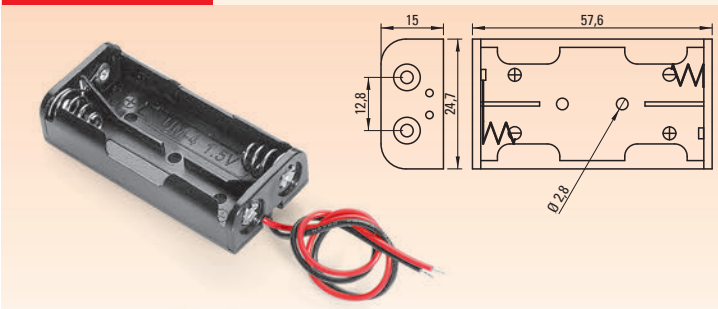
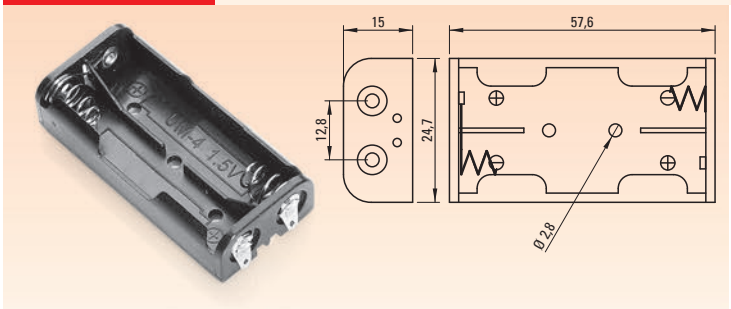
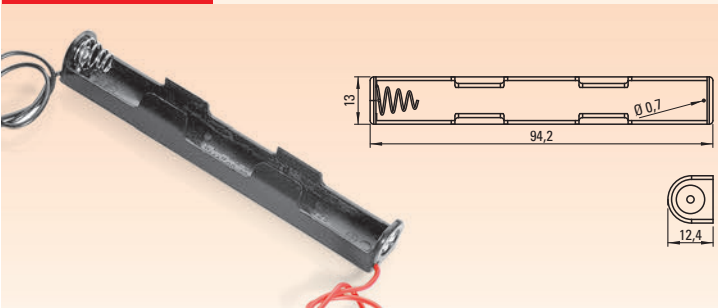
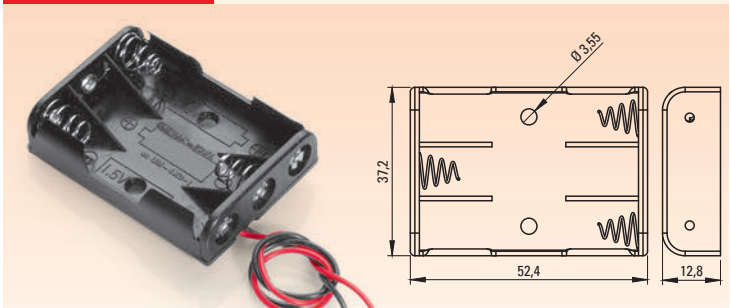
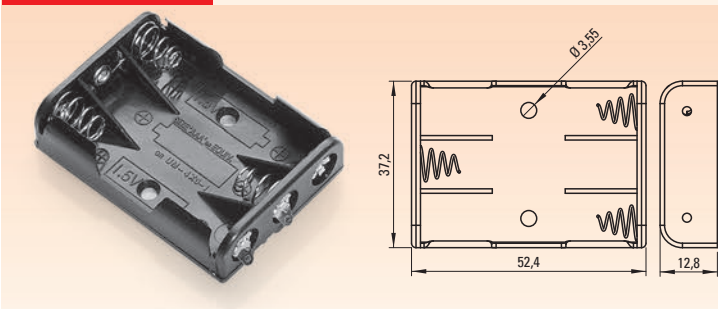
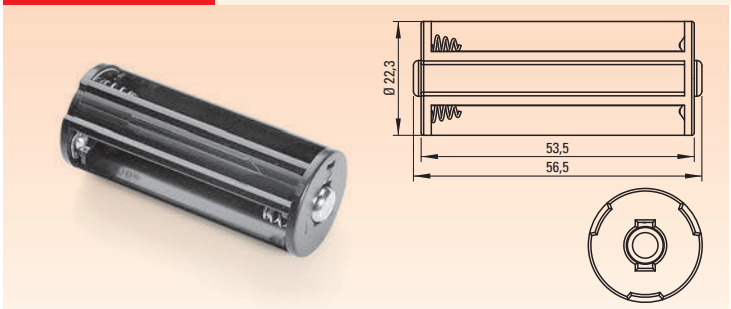
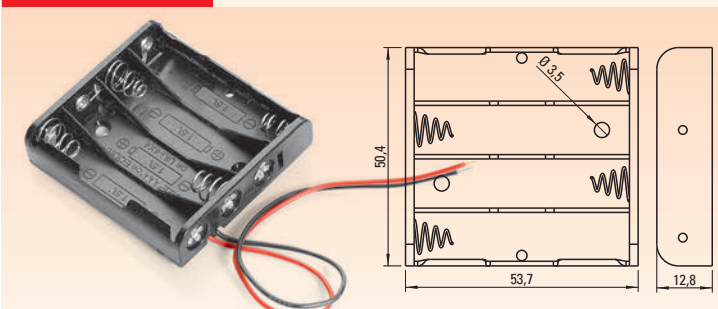
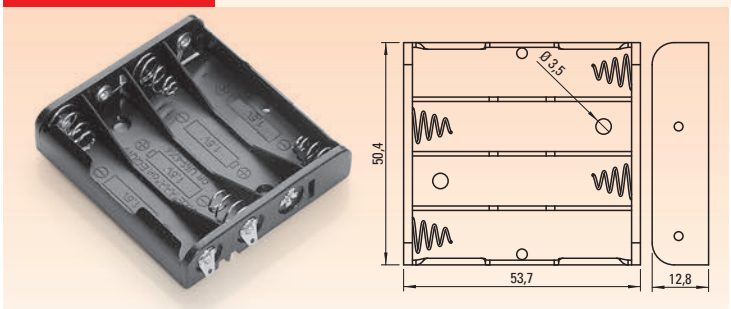
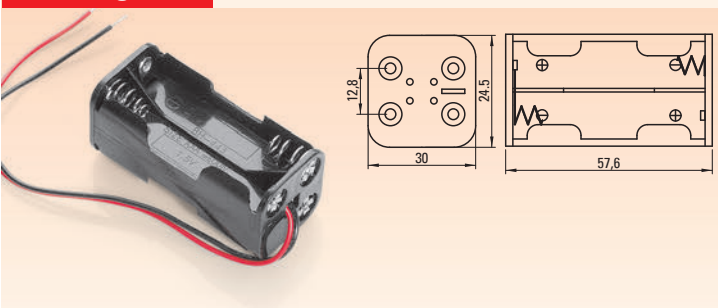
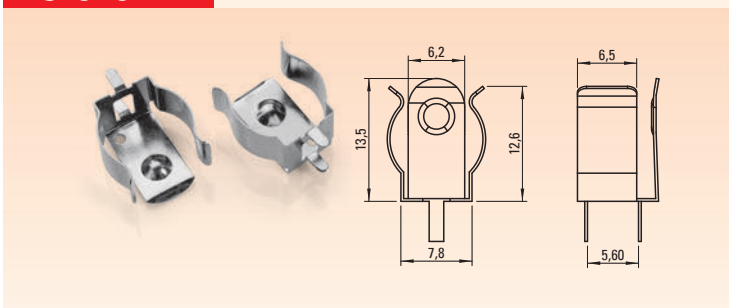
10 X AA SIZE BATTERY HOLDER



BH-411-1D

1 X AAA SIZE BATTERY HOLDER



BH-421-A
2 X AAA SIZE BATTERY HOLDER

BH-421-D
2 X AAA SIZE BATTERY HOLDER

BH-425-A
2 X AAA SIZE BATTERY HOLDER

BH-431-1A
3 X AAA SIZE BATTERY HOLDER

BH-431-1D
3 X AAA SIZE BATTERY HOLDER

BH-432-A
3 X AAA SIZE BATTERY HOLDER

BH-441-A
4 X AAA SIZE BATTERY HOLDER

BH-441-D
4 X AAA SIZE BATTERY HOLDER

BH-443-A
4 X AAA SIZE BATTERY HOLDER

BC-0401
AAA & 23A SIZE APPLICABLE PCB CONTACT


BC-401

AA SIZE BATTERY CONTACT



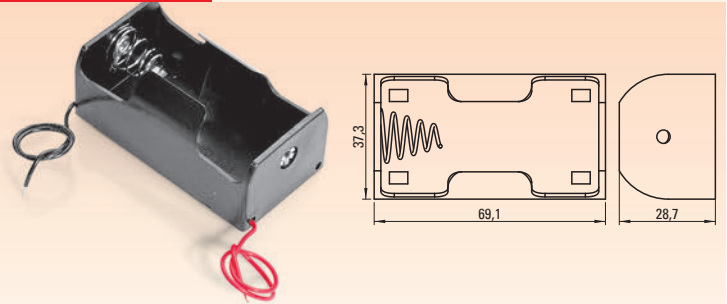
BC-401-AC

BC-401-C

BC-401-A

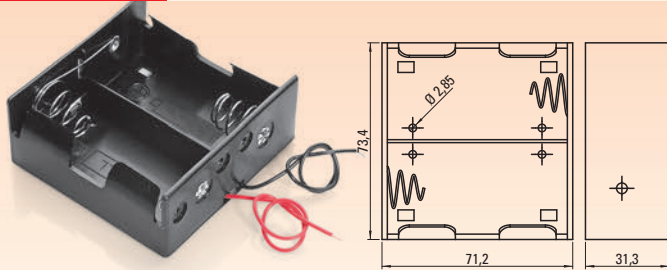
BH-111-A

1 X D SIZE BATTERY HOLDER



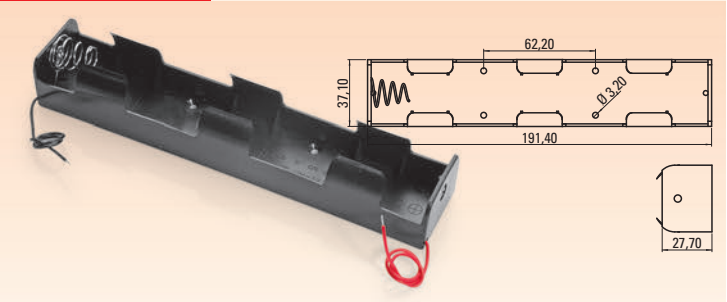
BH-121-1A

2 X D SIZE BATTERY HOLDER



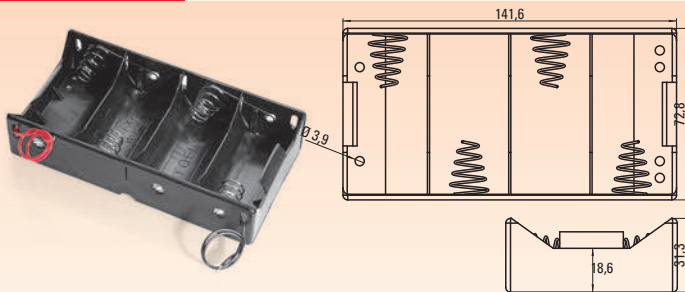
BH-132-A

3 X D SIZE BATTERY HOLDER



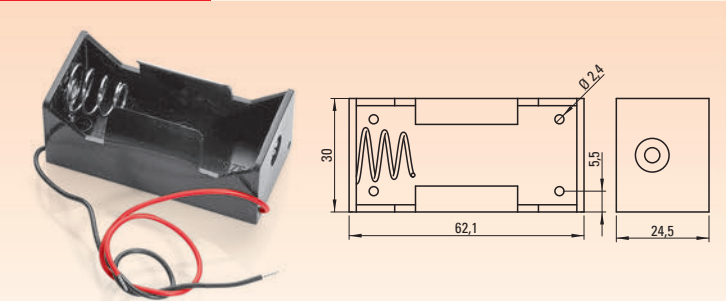
BH-143-1A

4 X D SIZE BATTERY HOLDER



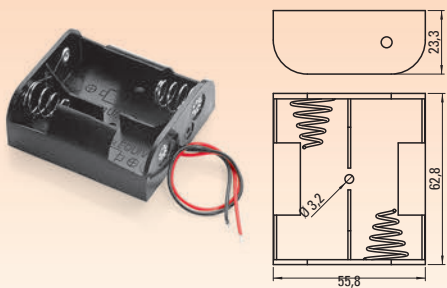
BH-211-A

1 X C SIZE BATTERY HOLDER



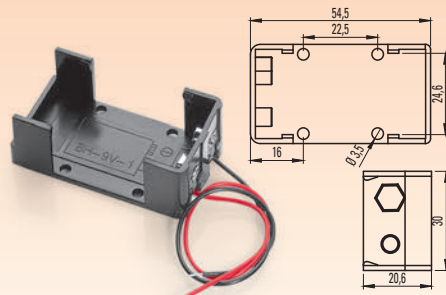
BH-221-A

2 X C SIZE BATTERY HOLDER



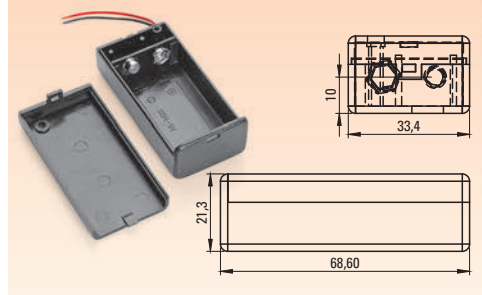
BH-9V-1A

9V BATTERY HOLDER



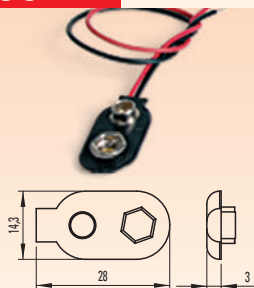
SBH-9V-A

9V BATTERY HOLDER



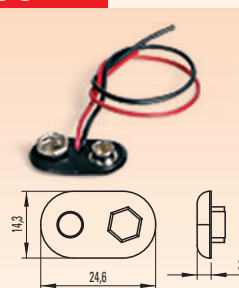
BS-ICCT

9V BATTERY CONTACT



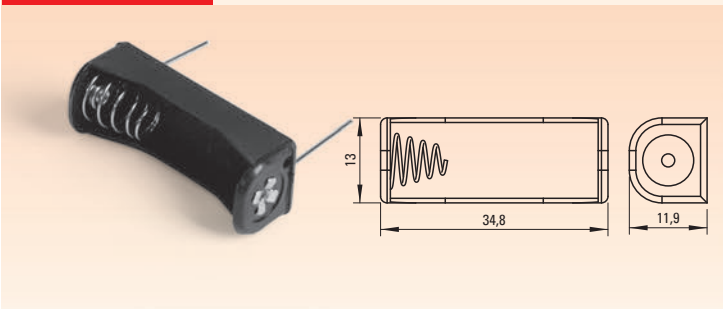
BS-ECCT

9V BATTERY CONTACT



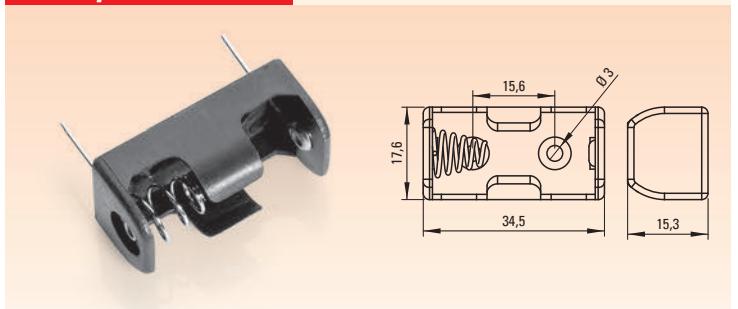
BH-511-P

1 X 23 AA SIZE BATTERY HOLDER



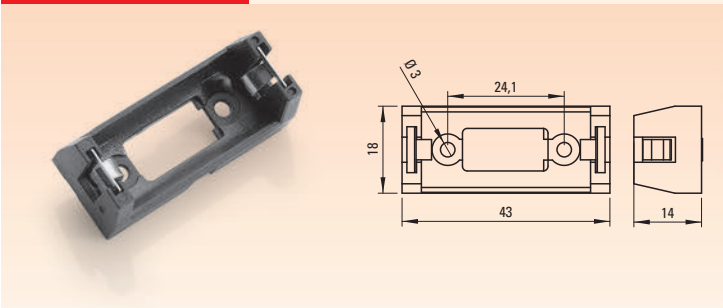
BH-1/2AA-2P24

1/2 AA SIZE BATTERY HOLDER



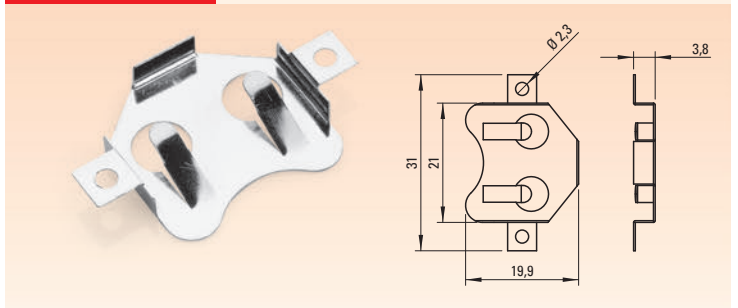
BHC-CR123A

CR123A SIZE BATTERY HOLDER



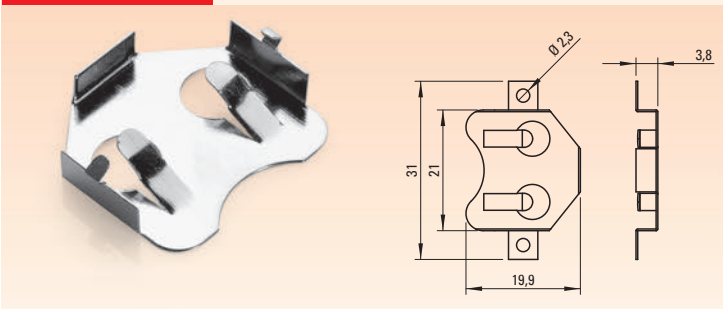
BC-2001

CR-2032 BATTERY HOLDER



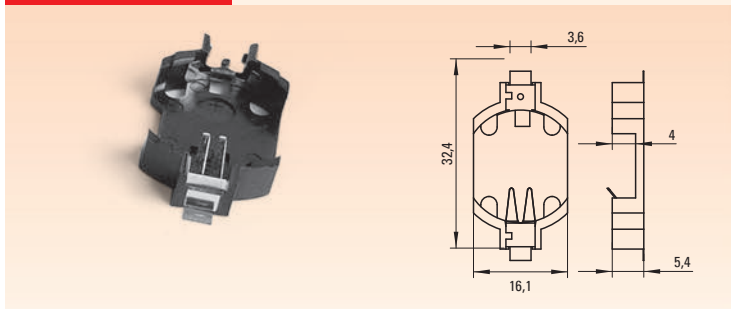
BC-2002

CR-2032 BATTERY HOLDER



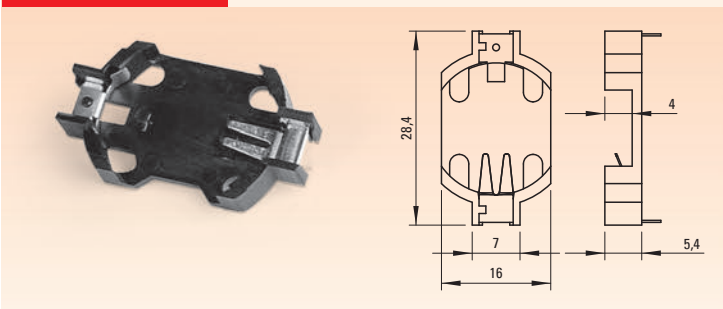
CH-004-2032

CR-2032 BATTERY HOLDER



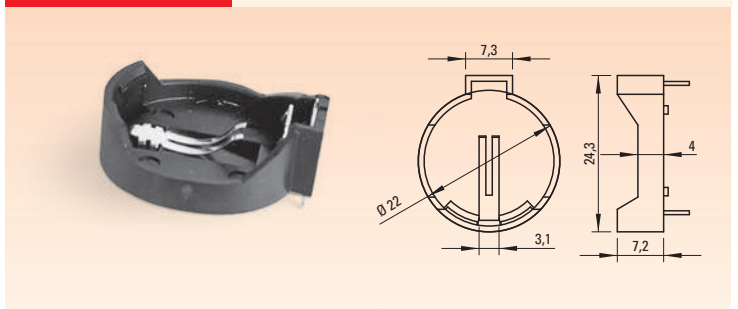
CH-005-2032

CR-2032 BATTERY HOLDER



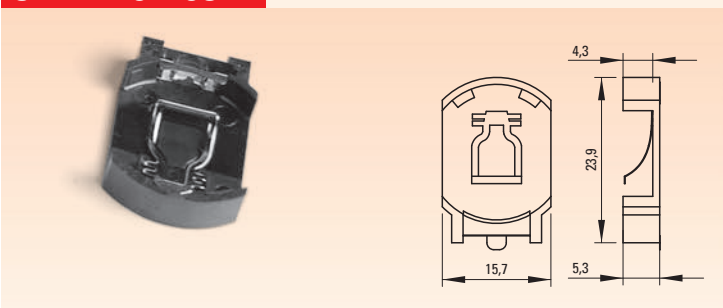
CH-224-2032

CR-2032 BATTERY HOLDER



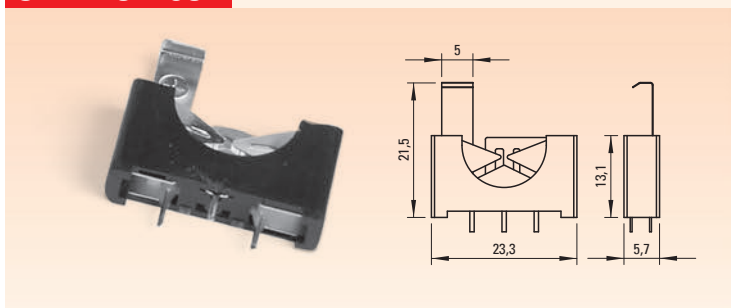
CH-7410-2032

CR-2032 BATTERY HOLDER



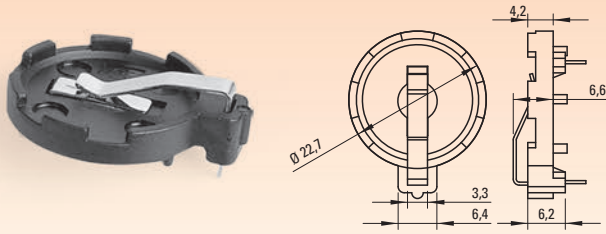
CH-243-2032

CR-2032 BATTERY HOLDER



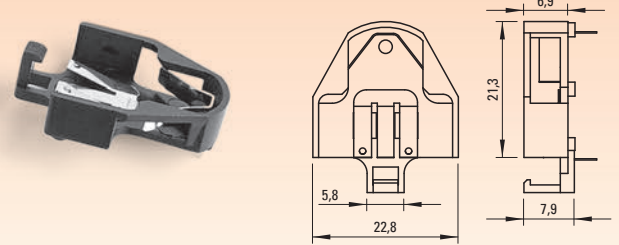
CH-25-2032

CR-2032 BATTERY HOLDER



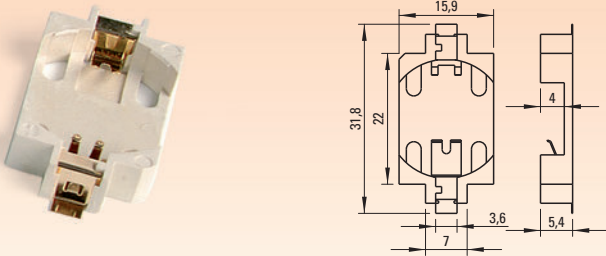
CH-26-2032

CR-2032 BATTERY HOLDER



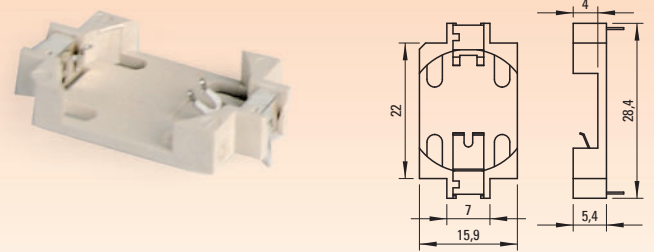
CH-28-2032

CR-2032 BATTERY HOLDER



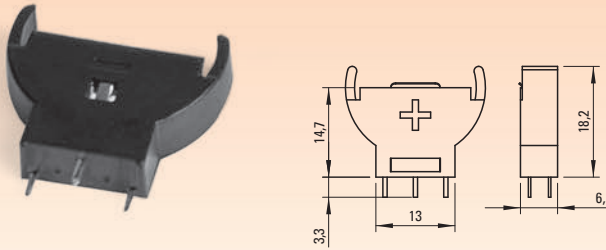
CH-29-2032

CR-2032 BATTERY HOLDER



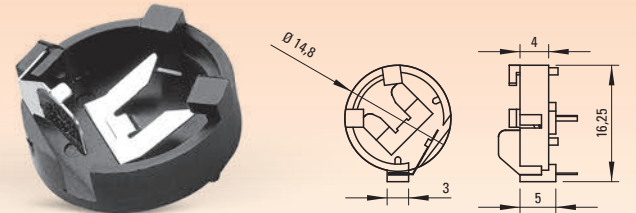
CH-74-2032

CR-2032 BATTERY HOLDER



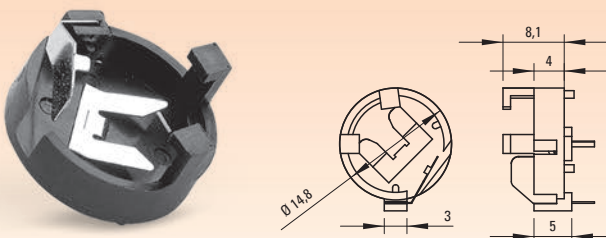
CH-23-1220

CR-2032 BATTERY HOLDER



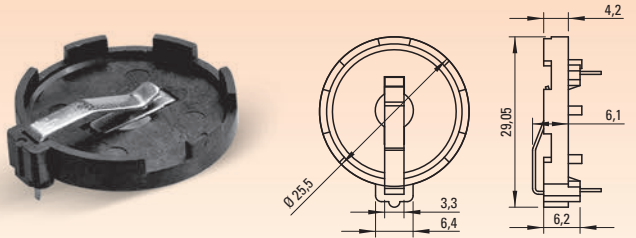
CH-23-1225

CR-1225 BATTERY HOLDER



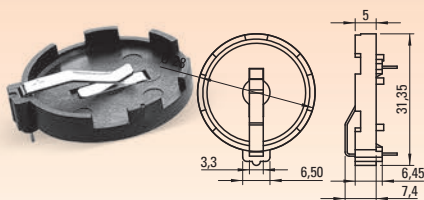
CH-25-2325

CR-2325 BATTERY HOLDER



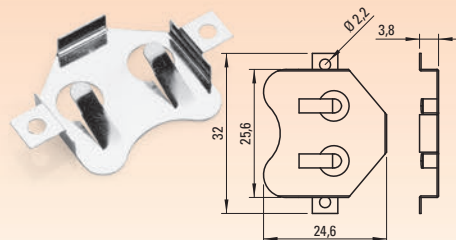
CH-002-2425

CR-2425 BATTERY HOLDER



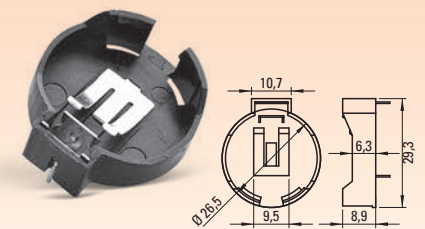
BC-2401

CR-2430 BATTERY HOLDER

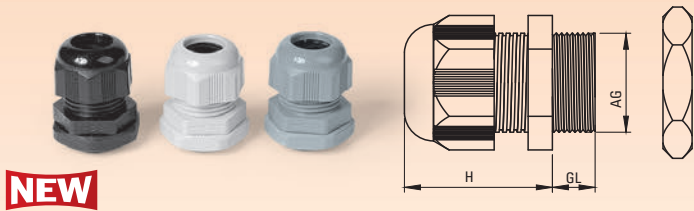


CH-273-2450

CR-2450 BATTERY HOLDER



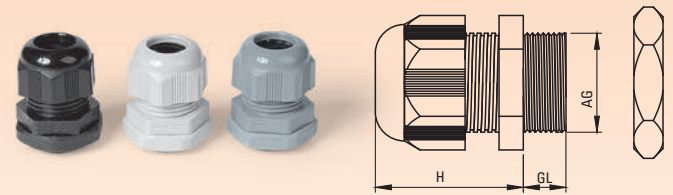
STANDARD PLASTIC CABLE GLANDS (METRIC)



NEW

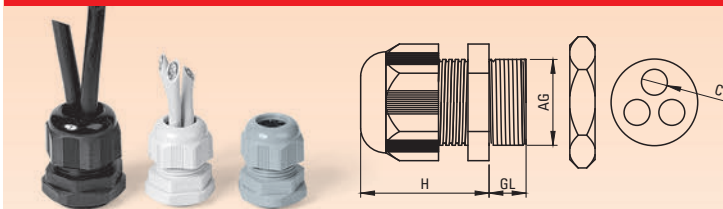
Metric	Code	Pcs in BOX	H (mm)	GL (mm)	Spanner Size (mm)	Fitting Dia. (mm)	Cable Dia. (mm)
M12x1,5	OMR 01	10	24	8	15	12,5	3-6,5
M16x1,5	OMR 02	10	28	8	19	16,5	4-8
M16x1,5	OMR 03	10	29	10	22	16,5	5-10
M20x1,5	OMR 04	10	29	10	24	20,5	6-12
M20x1,5	OMR 05	10	33	10	27	20,5	10-14
M25x1,5	OMR 06	10	38	10	33	25,5	13-18
M32x1,5	OMR 07	5	41	10	42	32,5	18-25
M40x1,5	OMR 08	5	51	10	53	40,5	22-32
M50x1,5	OMR 09	3	53	18	60	50,5	30-38
M63x1,5	OMR 10	2	55	18	65	63,5	34-44

STANDARD PLASTIC CABLE GLANDS (PG)



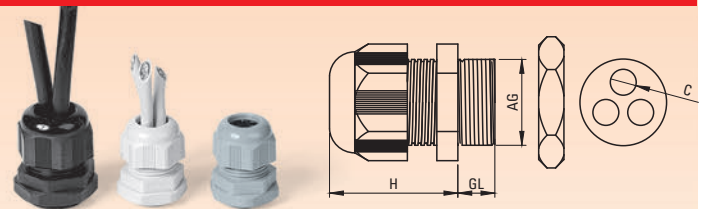
PG	Code	Pcs in BOX	H (mm)	GL (mm)	Spanner Size (mm)	Fitting Dia. (mm)	Cable Dia. (mm)
PG7	OR 01	10	24	8	15	13	3-6,5
PG9	OR 02	10	28	8	19	16	4-8
PG11	OR 03	10	29	8	22	19	5-10
PG13,5	OR 04	10	29	9	24	21	6-12
PG16	OR 05	10	33	9	27	23	10-14
PG21	OR 06	10	38	11	33	29	13-18
PG29	OR 07	5	41	11	42	37,5	18-25
PG36	OR 08	5	51	13	53	47,5	22-32
PG42	OR 09	3	53	13	60	54,5	30-38
PG48	ORG10	2	55	14	65	60	34-44

MULTI CABLE PLASTIC CABLE GLANDS (METRIC)



Metric	Code	H (mm)	GL (mm)	Spanner Size (mm)	Fitting Dia. (mm)	Cable Dia. (mm)
M16x1,5	OMR 02A3	28	8	19	16,5	2x3mm
M16x1,5	OMR 02B3	28	8	19	16,5	3x3mm
M16x1,5	OMR 02C3	28	8	19	16,5	4x3mm
M16x1,5	OMR 03A5	29	10	22	16,5	2x5mm
M16x1,5	OMR 03B5	29	10	22	16,5	3x5mm
M20x1,5	OMR 04A6	29	10	24	20,5	2x6mm
M20x1,5	OMR 04B5	29	10	24	20,5	3x5mm
M20x1,5	OMR 05A4	33	10	27	20,5	2x4mm
M20x1,5	OMR 05A7	33	10	27	20,5	2x7mm
M20x1,5	OMR 05B6	33	10	27	20,5	3x6mm
M20x1,5	OMR 05C5	33	10	27	20,5	4x5mm
M25x1,5	OMR 06A9	38	10	33	25,5	2x9mm
M25x1,5	OMR 06B7	38	10	33	25,5	3x7mm
M25x1,5	OMR 06B8	38	10	33	25,5	3x8mm
M25x1,5	OMR 06C7	38	10	33	25,5	4x7mm
M25x1,5	OMR 06G4	38	10	33	25,5	8x4mm

MULTI CABLE PLASTIC CABLE GLANDS (PG)



PG	Code	H (mm)	GL (mm)	Spanner Size (mm)	Fitting Dia. (mm)	Cable Dia. (mm)
PG9	OR 02A3	28	8	19	16	2x3mm
PG9	OR 02B3	28	8	19	16	3x3mm
PG9	OR 02C3	28	8	19	16	4x3mm
PG11	OR 03A5	29	8	22	19	2x5mm
PG11	OR 03B5	29	8	22	19	3x5mm
PG13,5	OR 04A6	29	9	24	21	2x6mm
PG13,5	OR 04B5	29	9	24	21	3x5mm
PG16	OR 05A4	33	9	27	23	2x4mm
PG16	OR 05A7	33	9	27	23	2x7mm
PG16	OR 05B6	33	9	27	23	3x6mm
PG21	OR 05C5	38	11	33	29	4x5mm
PG21	OR 06A9	38	11	33	29	2x9mm
PG21	OR 06B7	38	11	33	29	3x7mm
PG21	OR 06B8	38	11	33	29	3x8mm
PG21	OR 06C7	38	11	33	29	4x7mm
PG21	OR 06G4	38	11	33	29	8x4mm

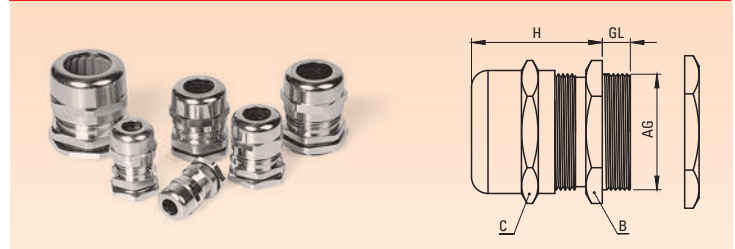
NICKEL PLATED BRASS CABLE GLAND (METRIC)



NEW

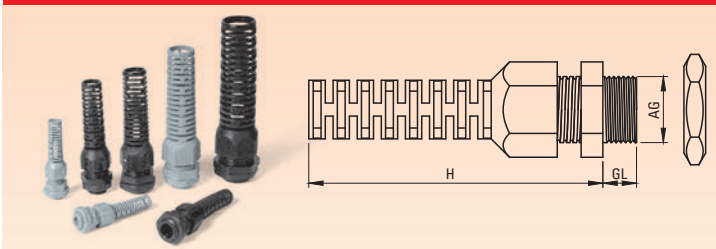
Metric	Code	Pcs in BOX	H (mm)	GL (mm)	Spanner Size (mm)	Fitting Dia. (mm)	Cable Dia. (mm)
M12x1,5	OMB 01	10	19	6	14-14	12,5	3-6,5
M16x1,5	OMB 02	10	21	7	18-17	16,5	4-8
M20x1,5	OMB 03	10	23	8	22-22	20,5	6-12
M25x1,5	OMB 04	10	24	8	27-24	25,5	10-14
M32x1,5	OMB 05	5	25	9	34-30	32,5	13-18
M40x1,5	OMB 06	5	31	9	43-40	40,5	18-25
M50x1,5	OMB 07	3	37	9	55-50	50,5	22-32
M63x1,5	OMB 08	2	38	14	68-64	63,5	34-44

NICKEL PLATED BRASS CABLE GLAND (PG)



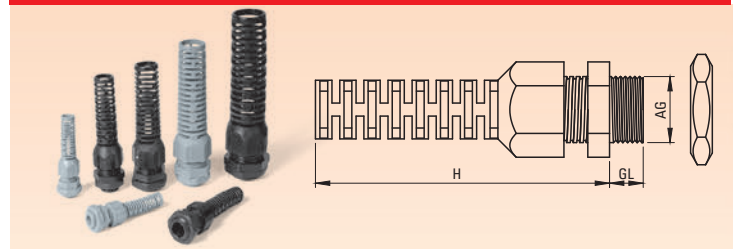
PG	Code	Pcs in BOX	H (mm)	GL (mm)	Spanner Size (mm)	Fitting Dia. (mm)	Cable Dia. (mm)
PG7	OPB 01	10	19	6	14	13	3-6,5
PG9	OPB 02	10	21	6	17	16	4-8
PG11	OPB 03	10	22	6	20	19	5-10
PG13,5	OPB 04	10	23	6,5	22	21	6-12
PG16	OPB 05	10	24	6,5	24	23	10-14
PG21	OPB 06	10	25	7	30	29	13-18
PG29	OPB 07	5	31	8	40	37,5	18-25
PG36	OPB 08	5	37	10	50	47,5	22-32
PG42	OPB 09	3	37	12	57	54,5	30-38
PG48	OPB 10	2	38	14	64	60	34-44

SLEEVED PLASTIC CABLE GLANDS (METRIC)



Metric	Code	Pcs in BOX	H (mm)	GL (mm)	Spanner Size (mm)	Fitting Dia. (mm)	Cable Dia. (mm)
M12x1,5	OMR 17	10	57	8	15	12,5	3-6,5
M16x1,5	OMR 18	10	70	8	19	16,5	4-8
M16x1,5	OMR 19	10	81	10	22	16,5	5-10
M20x1,5	OMR 20	10	89	10	24	20,5	6-12
M20x1,5	OMR 21	5	107	10	27	20,5	10-14
M25x1,5	OMR 22	5	124	10	33	25,5	13-18

SLEEVED PLASTIC CABLE GLANDS (PG)

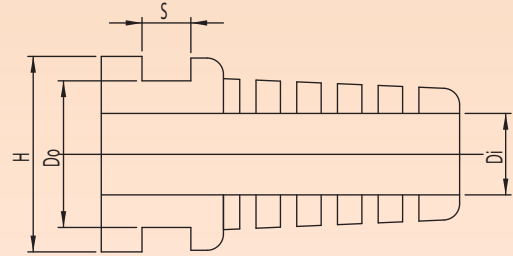


PG	Code	Pcs in BOX	H (mm)	GL (mm)	Spanner Size (mm)	Fitting Dia. (mm)	Cable Dia. (mm)
PG7	OR 19	10	57	8	15	13	3-6,5
PG9	OR 20	10	70	8	19	16	4-8
PG11	OR 21	10	81	8	22	19	5-10
PG13,5	OR 22	5	89	9	24	21	6-12
PG16	OR 23	5	107	9	27	23	10-14
PG21	OR 24	5	124	11	33	29	13-18

BLIND STOPS

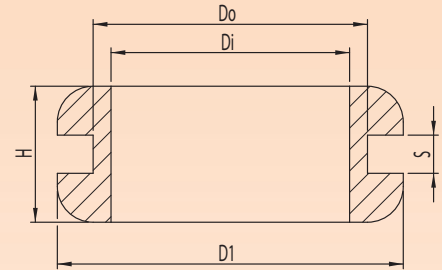
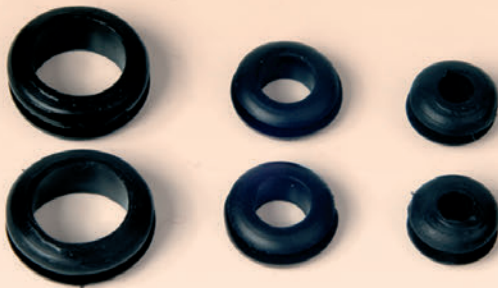


PG	Code	Pcs in BOX	Metric	Code	Pcs in BOX
PG7	OK 01	10	M12x1,5	MOK 01	10
PG9	OK 02	10	M16x1,5	MOK 02	10
PG11	OK 03	10	M20x1,5	MOK 03	10
PG13,5	OK 04	10	M25x1,5	MOK 04	10
PG16	OK 05	10	M32x1,5	MOK 05	10
PG21	OK 06	10	M40x1,5	MOK 06	10
PG29	OK 07	10			
PG36	OK 08	10			



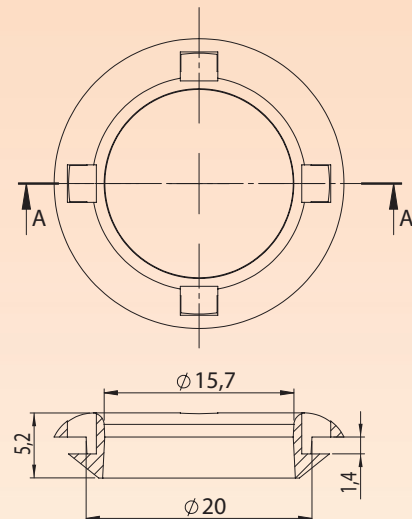
Code	Di	Do	H	S
A-905	5	9	11,5	2,8
A-909	5	9	12	2,5
A-913	6	14	15	2,8
A-914	8	11	15,5	2,8
A-915	10	13	17,3	2,3

SLEEVED CABLE GROMMETS



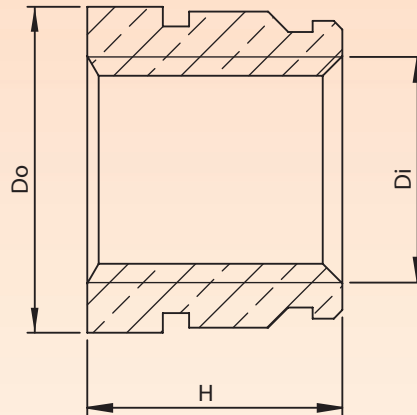
Code	Di	Do	D1	H	S
A-904	4	5,5	9	5	1,5
A-906	6	8	11,3	4,3	1,5
A-908	8	10	13	5,2	1,5
A-910	10	11,5	14	6	1,6
A-912	12	15	19,5	5,5	1,8

CABLE GROMMETS



CABLE BUSHING A-920

NEW

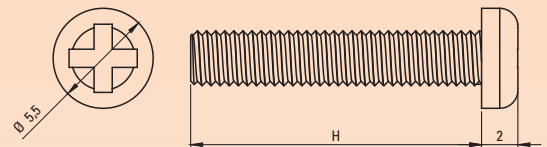


SECTION A-A

Code	Di	Do	H (mm)
IN-203	M2	3.60	3
IN-204	M2.5	4.60	4
A-651	M3	4.60	5.75
A-649	M4	6.30	4
A-650	M4	6.30	8
IN-506	M5	7.07	5.8
IN-607	M6	8.67	6.8

BRASS INSERTS

NEW



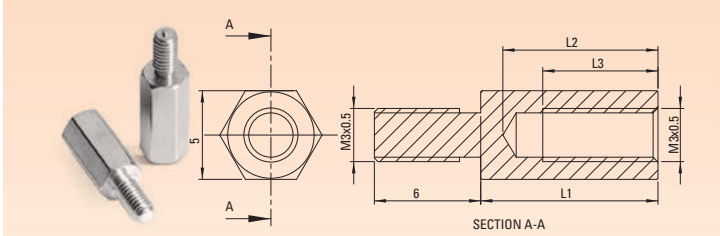
- Polyacetal (POM) Material
- PH Head
- M3 6-16mm length
- Useful for mounting PCB

Code	
PN-300	M3 NUT

Code	H (mm)	
PS-306	6	6 mm YSB M3 SCREW
PS-308	8	8 mm YSB M3 SCREW
PS-310	10	10 mm YSB M3 SCREW
PS-312	12	12 mm YSB M3 SCREW
PS-316	16	16 mm YSB M3 SCREW

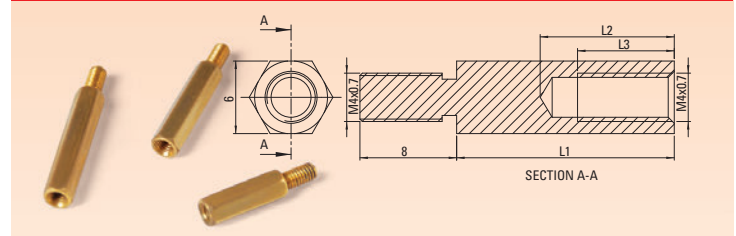
PLASTIC SCREWS AND NUTS

MALE FEMALE M3 BRASS STANDOFFS



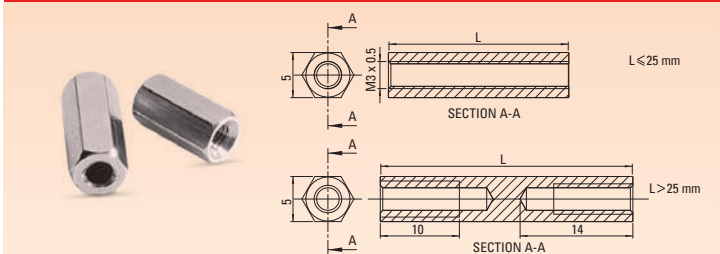
Code	L1	L2	L3	Pcs	Code	L1	L2	L3	Pcs
YP-505	5	4,5	3	50	YP-516	16	12	8	50
YP-506	6	5,5	4	50	YP-517	17	12	8	50
YP-507	7	6,5	5	50	YP-518	18	12	8	50
YP-508	8	7,5	6	50	YP-519	19	12	8	50
YP-509	9	8,5	7	50	YP-520	20	12	8	50
YP-510	10	9,5	8	50	YP-525	25	12	8	50
YP-511	11	10	8	50	YP-530	30	12	8	50
YP-512	12	11	8	50	YP-535	35	12	8	50
YP-513	13	12	8	50	YP-540	40	12	8	50
YP-514	14	12	8	50	YP-545	45	12	8	50
YP-515	15	12	8	50	YP-550	50	12	8	50

MALE-FEMALE M4 BRASS STANDOFFS



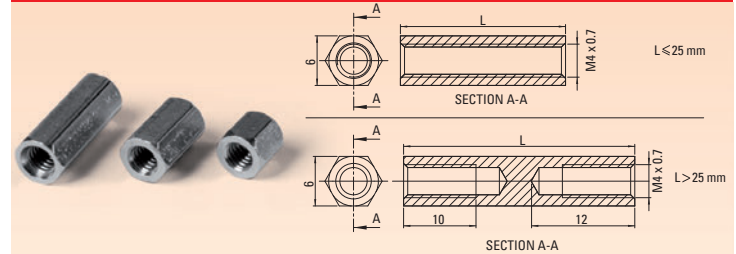
Code	L1	L2	L3	Pcs	Code	L1	L2	L3	Pcs
YP-4106	6	5,3	2,5	50	YP-4117	17	12	8	50
YP-4107	7	6,3	3,5	50	YP-4118	18	12	8	50
YP-4108	8	7,3	4,5	50	YP-4119	19	12	8	50
YP-4109	9	8,3	5,5	50	YP-4120	20	12	8	50
YP-4110	10	9,3	6,5	50	YP-4125	25	12	8	50
YP-4111	11	10,3	8	50	YP-4130	30	12	8	50
YP-4112	12	10,8	8	50	YP-4135	35	12	8	50
YP-4113	13	12	8	50	YP-4140	40	12	8	50
YP-4114	14	12	8	50	YP-4146	46	12	8	50
YP-4115	15	12	8	50	YP-4163	63	12	8	50
YP-4116	16	12	8	50					

FEMALE-FEMALE M3 BRASS STANDOFFS



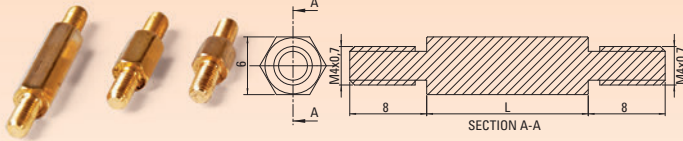
Code	L	Pcs	Code	L	Pcs
YP-405	5	50	YP-416	16	50
YP-406	6	50	YP-417	17	50
YP-407	7	50	YP-418	18	50
YP-408	8	50	YP-419	19	50
YP-409	9	50	YP-420	20	50
YP-410	10	50	YP-425	25	50
YP-411	11	50	YP-426	26	50
YP-412	12	50	YP-430	30	50
YP-413	13	50	YP-436	36	50
YP-414	14	50	YP-440	40	50
YP-415	15	50			

FEMALE-FEMALE M4 BRASS STANDOFFS



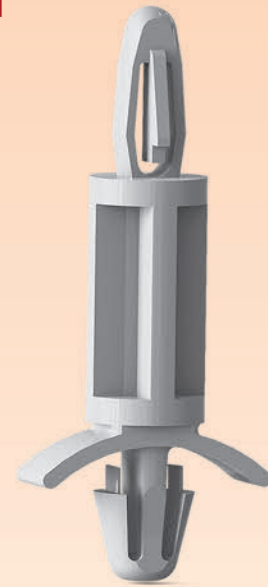
Code	L	Pcs	Code	L	Pcs
YP-4005	5	50	YP-4016	16	50
YP-4006	6	50	YP-4017	17	50
YP-4007	7	50	YP-4018	18	50
YP-4008	8	50	YP-4019	19	50
YP-4009	9	50	YP-4020	20	50
YP-4010	10	50	YP-4025	25	50
YP-4011	11	50	YP-4026	26	50
YP-4012	12	50	YP-4030	30	50
YP-4013	13	50	YP-4036	36	50
YP-4014	14	50	YP-4040	40	50
YP-4015	15	50			

MALE-MALE M4 BRASS STANDOFFS



Code	L	Pcs	Code	L	Pcs
YP-4205	5	50	YP-4215	15	50
YP-4206	6	50	YP-4216	16	50
YP-4207	7	50	YP-4217	17	50
YP-4208	8	50	YP-4218	18	50
YP-4209	9	50	YP-4219	19	50
YP-4210	10	50	YP-4220	20	50
YP-4211	11	50	YP-4225	25	50
YP-4212	12	50	YP-4230	30	50
YP-4213	13	50	YP-4235	35	50
YP-4214	14	50	YP-4240	40	50

NEW



Top hole: $4 \pm 0.08\text{mm}$
Panel thickness: 2 mm max.



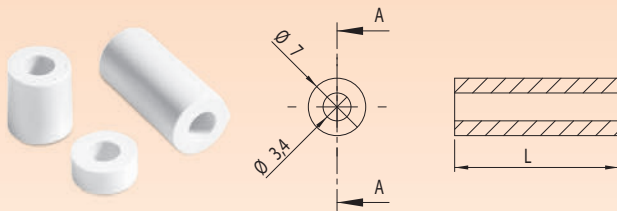
Base hole: 4.75 ± 0.08
Panel thickness: 0,8 - 2,0 mm

- Offers easy mounting of PCB cards on enclosures.
- Isolates PCB from enclosure.
- PCB can easily detach by special lock mechanism.

Code	H mm
YP-805	4,75
YP-810	9,53
YP-816	15,9
YP-822	22,2

PLASTIC SELF-LOCKING SPACERS

PLASTIC STANDOFFS

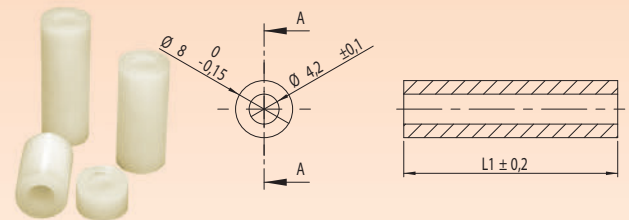


Code	L	Pcs	Code	L	Pcs
YP-701	1 mm	250	YP-712	12 mm	200
YP-702	2 mm	250	YP-715	15 mm	150
YP-703	3 mm	250	YP-720	20 mm	100
YP-704	4 mm	250	YP-725	25mm	100
YP-705	5 mm	250	YP-730	30 mm	100
YP-706	6 mm	200	YP-735	35 mm	100
YP-708	8 mm	250	YP-740	40 mm	100
YP-710	10 mm	250	YP-745	45 mm	100
			YP-750	50 mm	100

YP-700 STANDOFFS

MATERIAL ABS UL94-V0
COLOR LIGHT GRAY

PLASTIC STANDOFFS

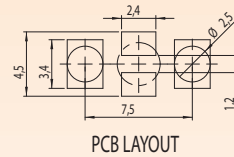
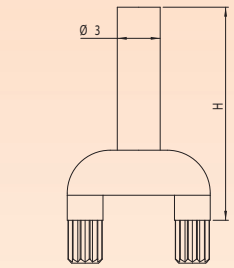
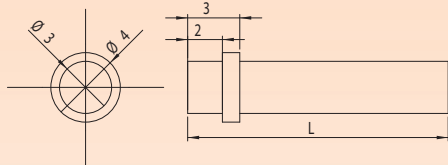
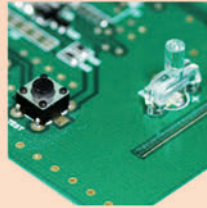


Code	L1	Code	L1
YP-905	5 mm	YP-918	18 mm
YP-906	6 mm	YP-919	19 mm
YP-907	7 mm	YP-920	20 mm
YP-908	8 mm	YP-921	21 mm
YP-909	9 mm	YP-922	22 mm
YP-910	10 mm	YP-923	23 mm
YP-911	11 mm	YP-924	24 mm
YP-912	12 mm	YP-925	25 mm
YP-913	13 mm	YP-930	30 mm
YP-914	14 mm	YP-935	35 mm
YP-915	15 mm	YP-940	40 mm
YP-916	16 mm	YP-945	45 mm
YP-917	17 mm	YP-950	50 mm

YP-900 STANDOFFS

MATERIAL PA 66
COLOR NATURAL

NEW

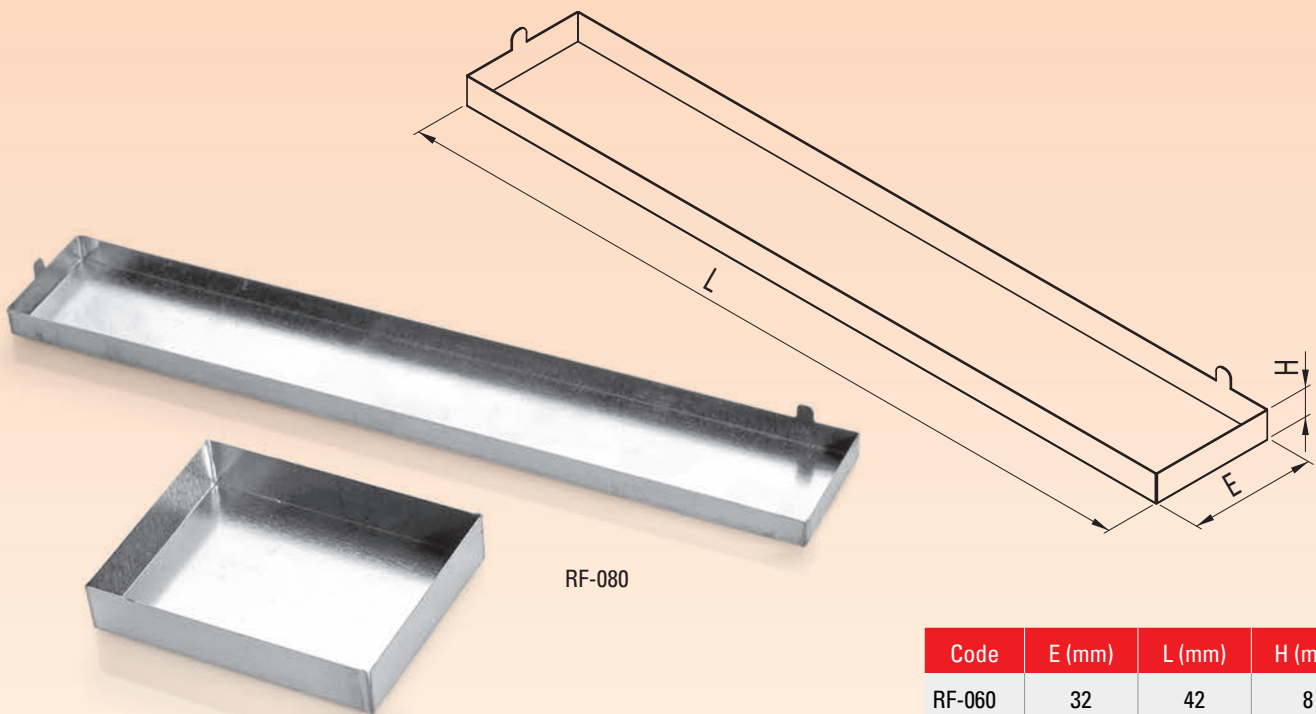


Code	L	Pcs
LG-11	11	250
LG-15	15	250
LG-19	19	250
LG-26	26	250

Code	H	Pcs
LG-110	10	250
LG-111	11	250
LG-112	12	250
LG-114	14	250
LG-116	16	250
LG-118	18	250
LG-120	20	250
LG-123	23	250
LG-125	25	250
LG-130	30	250

LED PIPES

NEW



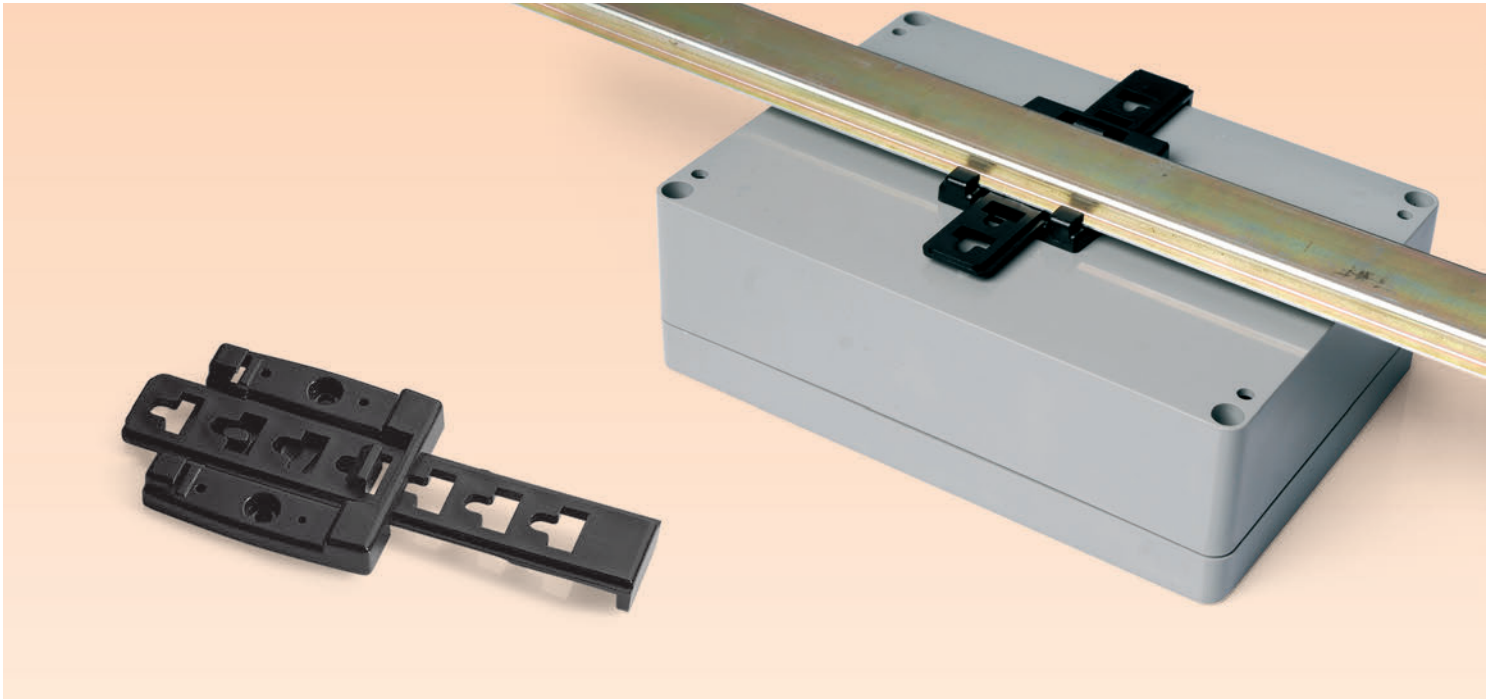
RF-060

RF-080

Code	E (mm)	L (mm)	H (mm)
RF-060	32	42	8
RF-080	23.5	145	5.5

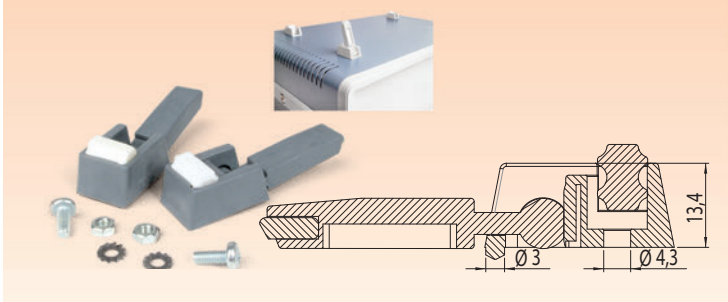
• Custom sizes can be produced.

RF SHIELDS

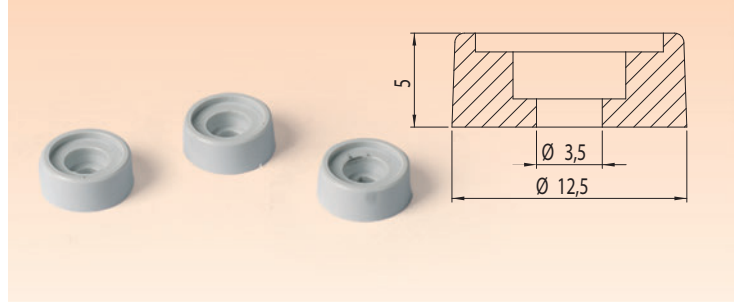


A-116 DIN RAIL MOUNTING KIT

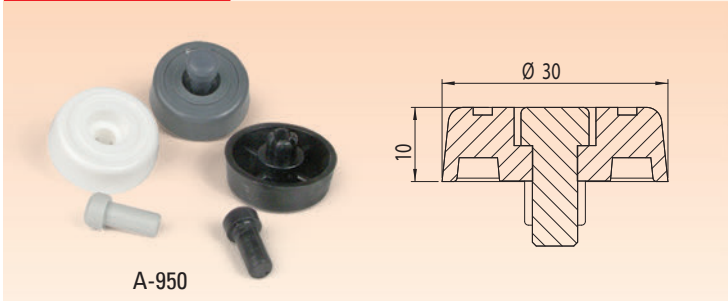
A-951 TILTING FOOT KIT



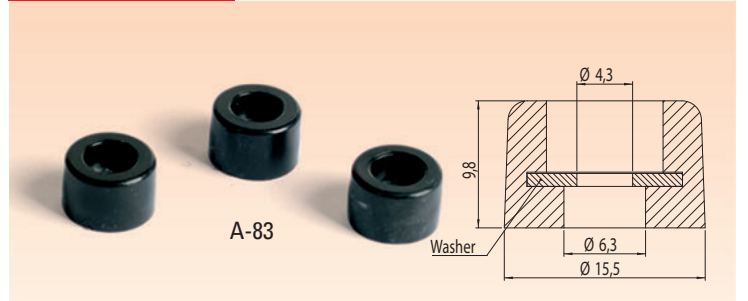
A-082 PLASTIC FOOT



A-950 BUMPER FOOT



A-083 RUBBER FOOT (W/ METAL WASHER)

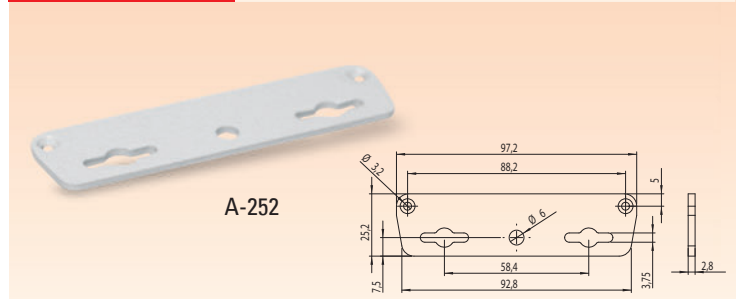


A-58 A-59 WALL MOUNTING KITS

A-58	CLICK WALL MOUNT
A-59	SCREWED WALL MOUNT



A-252 WALL MOUNT



METAL HANDLE

A-97	185 mm AXIAL DISTANCE
A-98	132 mm AXIAL DISTANCE



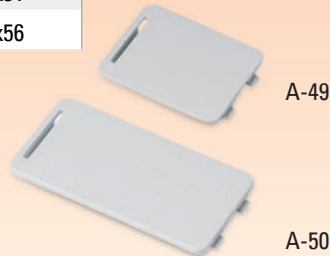
PLASTIC HEADED SCREW

Code	Type
A-938	M5x10 mm
A-940	M5x15 mm
A-941	M5x20 mm
A-525	M5x25 mm



BATTERY CAP

A-49	BATTERY CAP 25x31
A-50	BATTERY CAP 25x56



TRIMPOT KNOBS

A-80	THICK TRIMPOT
A-81	THIN TRIMPOT



PLASTIC KNOBS

A-110	KNOB 5,8 x 14 x 15
A-111	KNOB 5,8 x 14 x 5,8



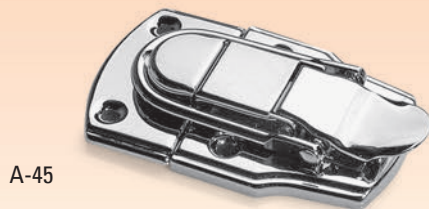
BELT CLIPS

A-191	STAINLESS BELT CLIP
A-190	ABS BELT CLIP



LOCK

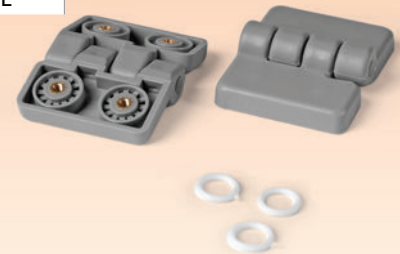
A-45	NICKEL BAG LOCKER
------	-------------------



SEALED HINGE

A-250	SEALED HINGE
-------	--------------

NEW



PLASTIC BUTTONS

A-700	BIG TRIANGLE
A-701	BIG RECTANGLE
A-702	SMALL TRIANGLE
A-703	SMALL RECTANGLE



CARD RAILS

A-921	PLASTIC CARD RAIL
A-922	PLASTIC CARD RAIL (2 RAILS)
A-923	4.5" PLASTIC CARD RAIL





A-662
2,5 x 5 mm YCB PLS
Combo PCB Screw

500 PCS/BOX
COLOR GRAY



A-637
2,2 x 6,5 mm YSB Screw

1250 PCS/BOX
COLOR BLACK



A-611
2,2 x 6 YSB Screw

500 PCS/BOX
COLOR BLACK



A-617
2,2 x 9,5 mm YHB Screw

1000 PCS/BOX
COLOR GRAY/ BLACK



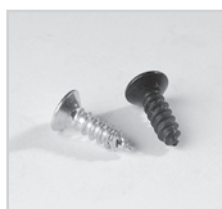
A-62
2,2 x 13 mm YHB Screw

500 PCS/BOX
COLOR GRAY/ BLACK



A-601
2,9 x 9,5 mm YSB
Screw

350 PCS/BOX
COLOR GRAY



A-635
2,9 x 9,5 YHB Screw

500 PCS/BOX
COLOR GRAY/ BLACK



A-624
2,9 x 25 mm YHB
Screw

350 PCS/BOX
COLOR GRAY/ BLACK



A-618
3 x 6,5 mm PYSB
Screw

400 PCS/BOX
COLOR GRAY/ BLACK



A-614
3 x 9,5 mm PYSB Screw

300 PCS/BOX
COLOR GRAY/ BLACK



A-63
3 x 16 mm PYSB Screw

500 PCS/BOX
COLOR GRAY/ BLACK



A-69
3 x 25 mm YHB
Screw

300 PCS/BOX
COLOR GRAY



A-630
3,5 x 16 PYSB Screw

350 PCS/BOX
COLOR GRAY



A-66
3,5 x 35 mm YHB
Screw

150 PCS/BOX
COLOR GRAY



A-632
2,5 x 5 mm YCB PLS
Combo PCB Screw

300 PCS/BOX
COLOR GRAY



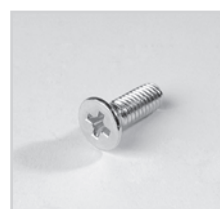
A-622
M3 x 6 mm YSB Screw

400 PCS/BOX
COLOR GRAY



A-656
M3 x 8 mm YSB
Screw

300 PCS/BOX
COLOR GRAY



A-603
M3 x 8 YHB Screw

500 PCS/BOX
COLOR GRAY



A-653
M3 x 12 mm YSB Screw

500 PCS/BOX
COLOR GRAY



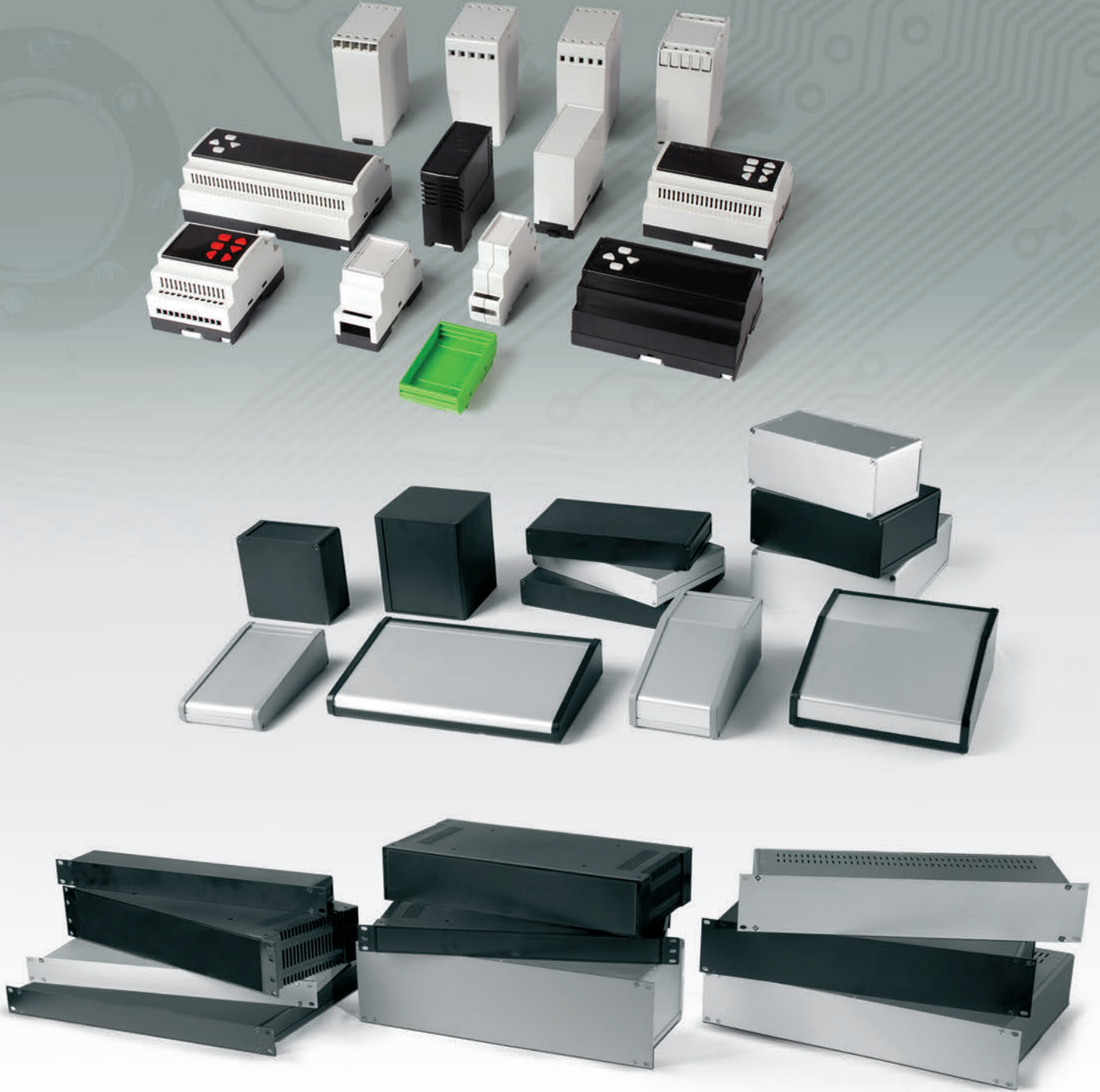
A-648
M4 x 16 CSB
Stainless Screw

250 PCS/BOX
COLOR GRAY



A-665
M4 x 22 mm CSB
Stainless Screw

200 PCS/BOX
COLOR GRAY



www.altinkaya.eu



ALTINKAYA

ENCLOSURES FOR ELECTRONICS

İvedik Organize Sanayii 1469. Sk. No:10
06370, Yenimahalle - ANKARA / TURKEY
Phone : +90. 312.395 27 68 (pbx)
Fax : +90. 312.395 27 72

www.altinkaya.eu
sales@altinkaya.eu