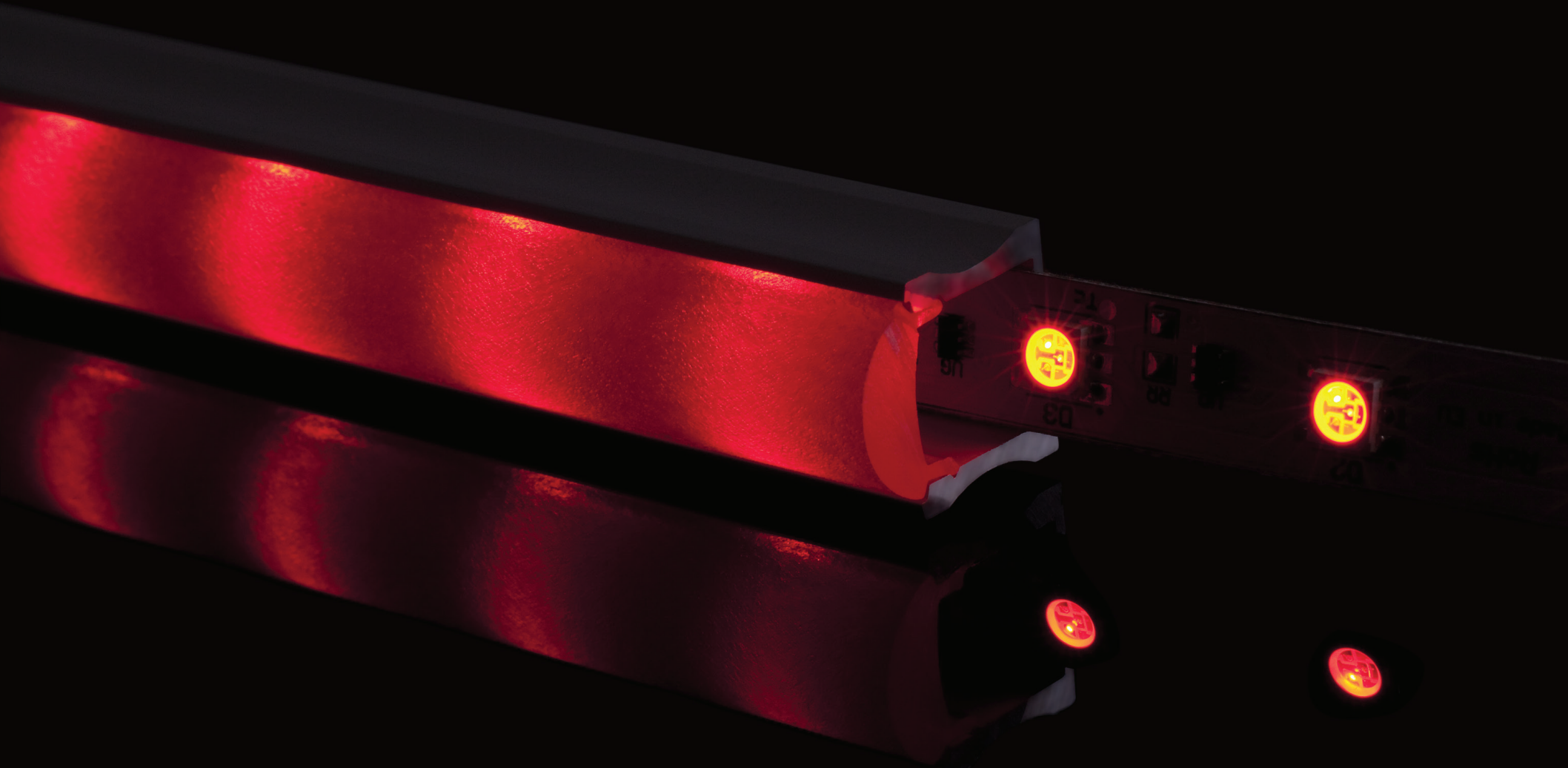


LED PROFILES - PRODUCT CATALOGUE

Quality Aluminum LED profiles Manufacturer & Designer

All products presented in this catalogue are patented and owned by LEDs-ON. All rights reserved.



LEDs-ON™
LED PROFILES FOR LED LIGHTING

CONTENT

RECESSED SLIM LINE 15mm	4
RECESSED SLIM LINE 7mm	6
SLIM LINE 15mm	8
SLIM LINE 15mm with optic lens 30°	10
SLIM LINE 15mm with optic lens 60°	11
SLIM LINE 7mm	12
SLIM LINE 7mm with optic lens 30°	14
SLIM LINE 7mm with optic lens 60°	15
ALU-45 (45 degree light angle)	16
ALU-CORNER	19
POWER LINE 35mm	22
POOWER LINE WIDE 80	24
RECESSED POWER LINE 35mm	26
ALU-ROUND	30
ALU-ROUND with optic lens 30°	32
ALU-FLAT	44
ALU-STAIR	46
ALU-WALL	49
ALU-WALL-US	54
SLIM LINE WIDE 8mm	56
RECESS SLIM LINE WIDE 8mm	58
SLIM LINE WIDE 15mm	60
ALU-CEILING	62
POWER LINE SLIM 30mm	65
RECESSED POWER LINE SLIM 30mm	67
ALU-SWISS 15mm	70
SLIM LINE WIDE 20mm	72
RECESS SLIM LINE WIDE 20mm	74
SLW20B WALL INSTALLED LED PROFILE	76
PL35 ONE SIDE LIGHT OUTPUT	78
PL35 TWO SIDE LIGHT OUTPUT	80
ALU-SQUERE	82
SLW10	84
WALL LED LAMP	86
RPLW80	88
ALU-GLASS HAND RAIL	90
ALU-STAIR 2	92
ALU-STAIR 2 CARPET	94





RECESSED SLIM LINE 15mm

RSL15; 15 x 24,5mm

ADVANTAGES:

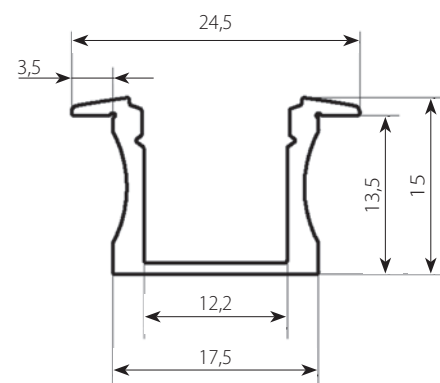
- High standard of anodizing aluminum surface
- High Quality UV resistant polycarbonate snap in diffuser
- Three different light diffusers to choice from, frosted (LEDs dots free), 50% frosted and transparent.
- Reduced light lost design
- Small dimensions only 15mm high
- Suitable for standard LED stripes up to 12mm of wideness
- Available on stock in anodized silver color
- Possible length and color customizing at MOQ
- Available with dedicated finish end caps
- Indoor use only, IP20

FUTURES:

- Nice looking, clean, contemporary housing for the LEDs
- LEDs heat sink housing and mechanical protection for the LED stripes against damage

APPLICATIONS:

- Recessed under kitchen cabinets LED lighting
- Floor led lighting (with IP54 led's)
- Recessed storage shelves LED lighting
- Gypsum ceiling, wall accent LED lighting
- Furniture production
- Exhibition boot LED lighting



DESCRIPTION

It is recessed type of the aluminum LED profile to build into material as MDF or other. The profile can be also recessed into floor (with IP54 LED ribbon inside only), wall or ceiling and the wide edges of the profile will cover the edges of insertion row completely. Extruded polycarbonate, high quality diffuser now is placing/removing from the front on click. It is UV resistant, and damage resistant (walk over safe, tested). Customer has a choice of three types of the diffusers what can be placed into that LED profile, frosted, 50% frosted and transparent.

The fully frosted diffuser do not shows led dots on the diffuser surface and the LED's are not visible. Frosted diffuser is giving nice smooth light line. Base of the profile is made from anodized aluminum in standard silver color. The product can be customizing like anodized in 9 different colors, and paint in any RAL color. Additionally on the outside surface we can place tin/screch resistant foil, which imitates the wood structure on the profile for perfect mach with kitchen cabinets. All most popular woods structure foils are available.

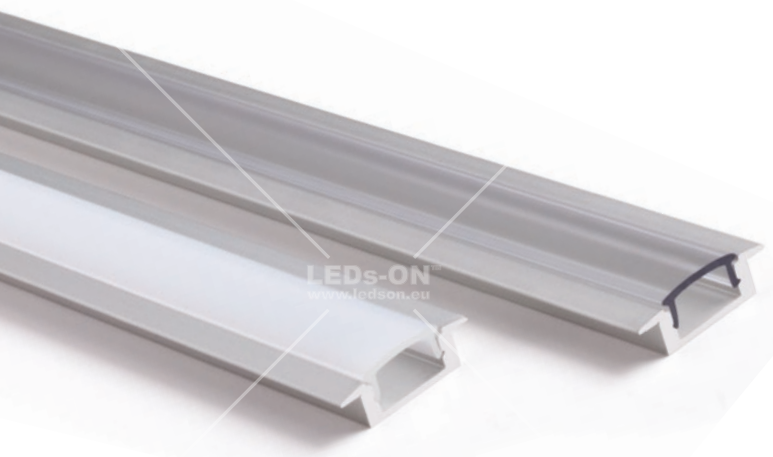
Profile is available on stock in 1m or 2m sections with finish accessories as end caps or mounting brackets. The aluminum profile will provide mechanical and thermal protection for the LEDs. The profile can be use with high power LED's up to 1W each. Led profiles are IP20 can be use outside with IP67 led ribbons only.



LP-AL-RSL15



LP-EC-RSL15



LP-AL-RSL7

RECESSED SLIM LINE 7mm

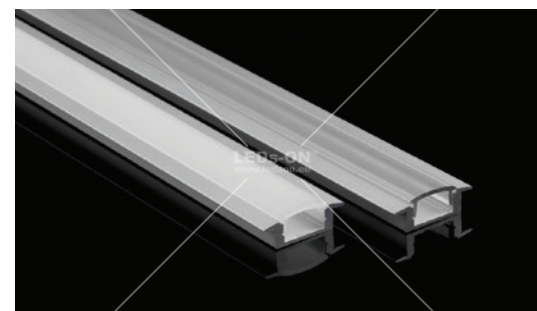
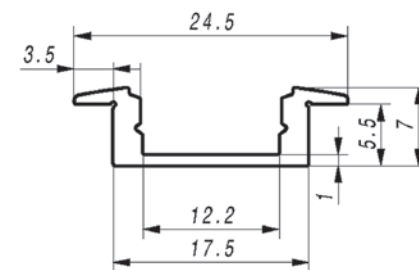
RSL7; 7 x 24,5mm

FEATURES:

- Recessed type with clean design
- Cover up the edges of the mill Vely low profile, only 7mm high Perfect for low power LED stripes
- Diffuser placed/removed from the top Designed for indoor use only
- Available with frosted or clear diffuser
- Made from aluminum / anodized

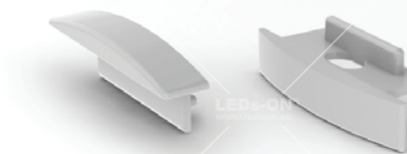
APPLICATIONS:

- Kitchen cabinets LED lighting
- Furniture production
- Interior accent lighting
- Shop shelf exposition

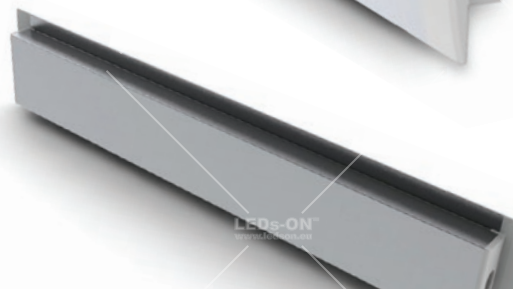


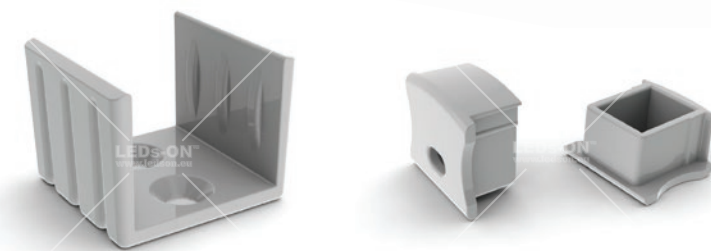
DESCRIPTION

Recessed Slim Line 7mm LED profile it is dedicated for build-in into surface material. The profile can be recess into any kind of surface and the expending to the sides the profile "wings" covers the mill row completely. This type of profile is often use for build in underneath kitchen cabinets LED lighting, retail store shelf lighting, floor, stairs, walls or ceiling accent LED lighting. The profile itself is generally dedicated for standard up to 12mm LED stripes. The profile is performing as the heat sink to the LEDs and appears as nice, stylish housing for the LEDs itself. It comes with choice of three different quality UV resistant, snap-in diffusers, frosted, 50% frosted and transparent. For RSL7 LED profile we offer some accessories such as finish end caps which helps to professionally finish the profile.



LP-EC-RSL7





SLIM LINE 15 mm

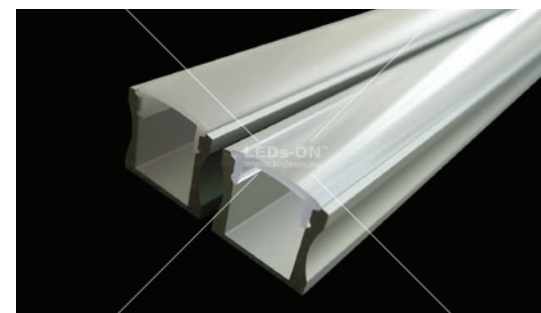
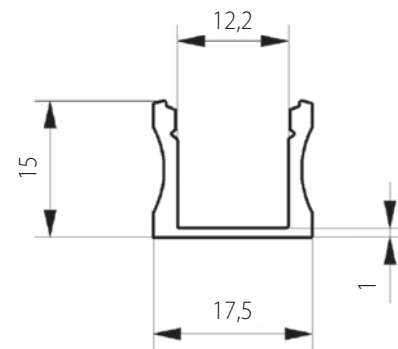
SL15; 15 x 17,5mm

FEATURES:

- High quality diffuser, placing/removing from front on click
- Led dots free profile (frosted)
- Walk on safe diffuser, UV resistant polycarbonate diffuser
- Available with 50% frosted, frosted and transparent diffuser
- LED dots free on frosted diffuser (high density LED's ribbon)
- Made from anodizing aluminum
- Suitable for low/high power led bars
- Available lengths – 1m, 2m
- Heat sink and physical protection to the LEDs
- For indoor use only

APPLICATIONS:

- Furniture production (kitchen / office)
- Interior light design (stairs / storage / floor)
- Stores shelf LED lighting
- Independent LED lamp
- Exhibition boot LED lighting



DESCRIPTION

Slim Line 15mm is high quality surface mounting anodized aluminum LED profile which is dedicated for the standard LED stripes up to 12mm of wideness. The profile is coming with choice of three high quality UV resistant and damage resistant snap-in diffusers, frosted, 50% frosted and transparent. The profile with choice of frosted diffuser is "LEDs DOTS FREE" and deliver soft smooth light on the whole surface. The aluminum profile it is performing as the heat sink to the leds and also presents itself as the nice, stylish and professionally looking housing. Available accessories such as end caps or mounting brackets or optic lenses helps professionally finish every installation.



LP-EC-SL15

LP-AL-SL15

LP-MC-SL15



30° optic lens for SL15 & SL7 mat or clear nish

LP-AL-SL15-L30

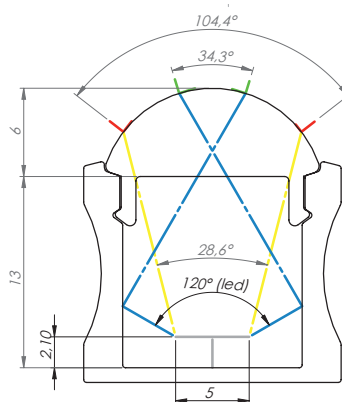
SLIM LINE 15 mm with optic lens 30°

SL15; 15 x 17,5mm

FEATURES:

Surface installation LED profile with 30° optic lens, UV stabilized. It comes with choice of the mat or clear lens. Available in lengths of 1m/2m.

The outgoing light is concentrated into the 30° beam angle.



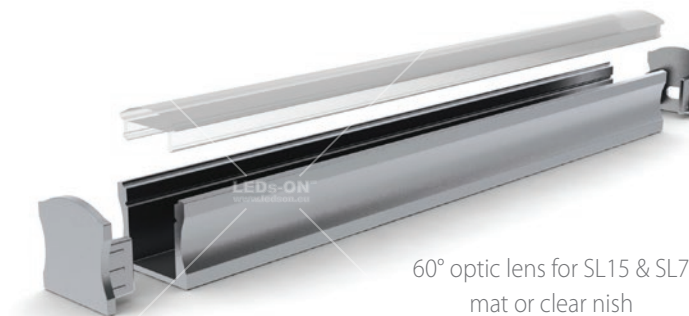
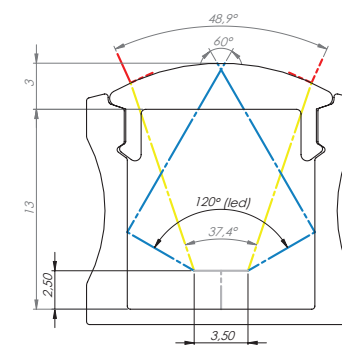
SLIM LINE 15 mm with optic lens 60°

SL15; 15 x 17,5mm

FEATURES:

Surface installation LED profile with 60° optic lens, UV stabilized. It comes with choice of the mat or clear lens. Available in lengths of 1m/2m.

The outgoing light is concentrated into the 60° beam angle.



60° optic lens for SL15 & SL7 mat or clear nish

LP-AL-SL15-L60



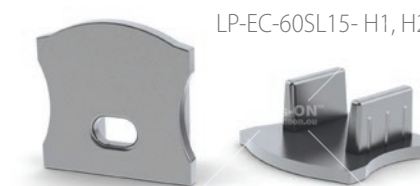
LP-EC-30SL15-H1, H2



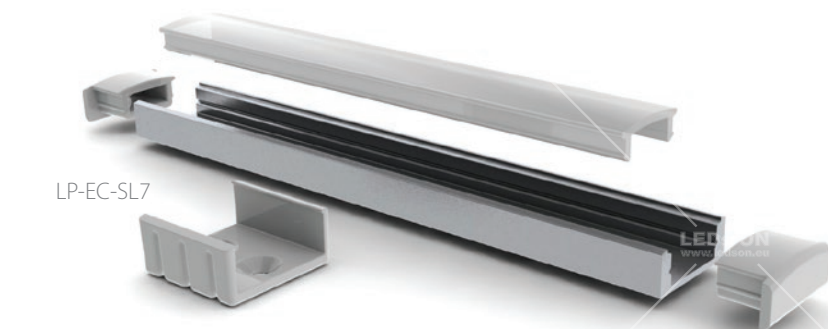
Aluminum end caps for SL15 LED profile with 30° optic lens



LP-EC-60SL15- H1, H2



Aluminum end caps for SL15 LED profile with 60° optic lens



LP-EC-SL7

LP-MC-SL7

LP-AL-SL7

SLIM LINE 7 mm

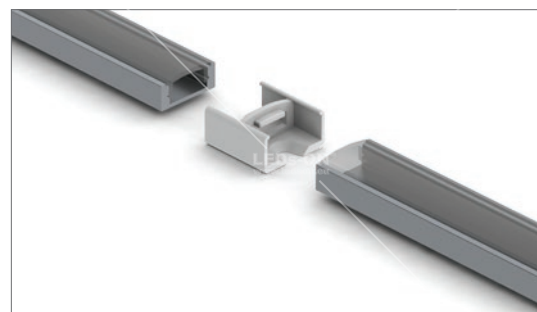
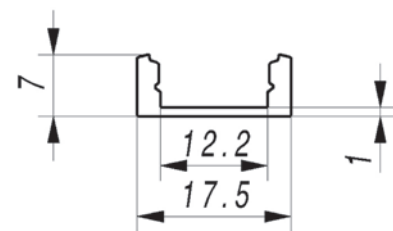
SL7; 7 x 17,5mm

FEATURES:

- High quality diffuser, placing/removing from front on click
- Walk on safe diffuser, UV resistant polycarbonate diffuser
- Available with opal, 50% opal and transparent diffuser
- Available lengths – 1m, 2m, 3m (large quantity orders)
- Made from anodizing aluminum
- Suitable mostly for flexible led stripes
- For indoor use only
- Low profile only 7mm high

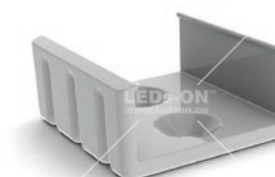
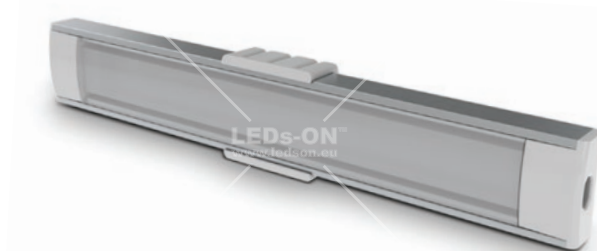
APPLICATIONS:

- Furniture production (kitchen / office)
- Interior light design (stairs / storage / floor)
- Stores shelf LED lighting
- Independent LED lamp
- Exhibition boot LED lighting

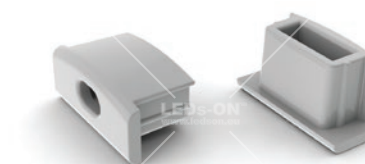


DESCRIPTION

Slim Line 7mm it is surface mount high quality anodized aluminum LED profile only 7mm high which is dedicated for standard led stripes up to 12mm in the wideness. The profile is performing as the heat sink to the LEDs and appears as nice, stylish housing for the LEDs itself. It comes with choice of three different quality UV resistant, snap-in diffusers, frosted, 50% frosted and transparent. For this SL7 profile we offer several different accessories such as optic lenses, mounting brackets and end caps which helps to professionally finish the profile.



LP-MC-SL7



LP-EC-SL7



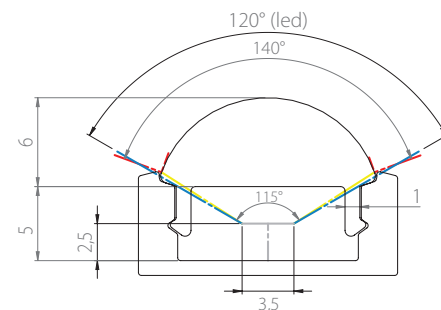
LP-AL-SL7-L30

LP-EC-30SL7- H1,H2

SLIM LINE 7 mm with optic lens 30°

SL7; 7 x 17,5mm

Slim Line 7mm LED prole with 30° optic lens, available with UV stabilized lens in mat or transparent nish.



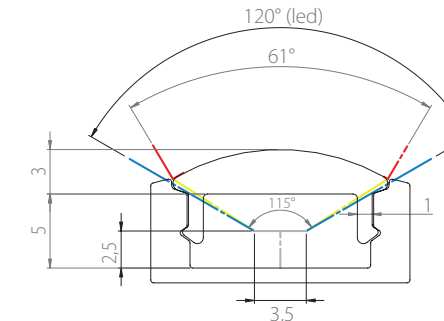
Aluminum end caps
LP-EC-30SL7-H1, H2



SLIM LINE 7 mm with optic lens 60°

SL7; 7 x 17,5mm

Slim Line 7mm LED prole with 60° optic lens, available with UV stabilized lens in mat or transparent nish.

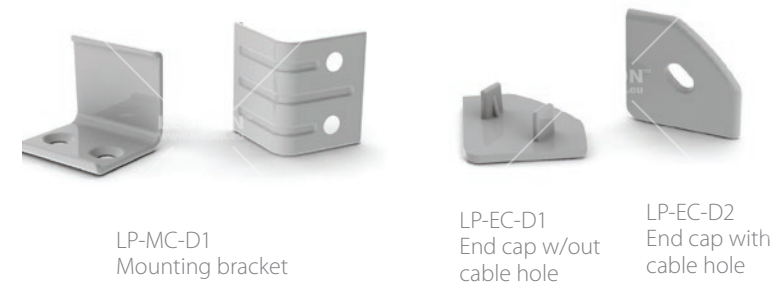
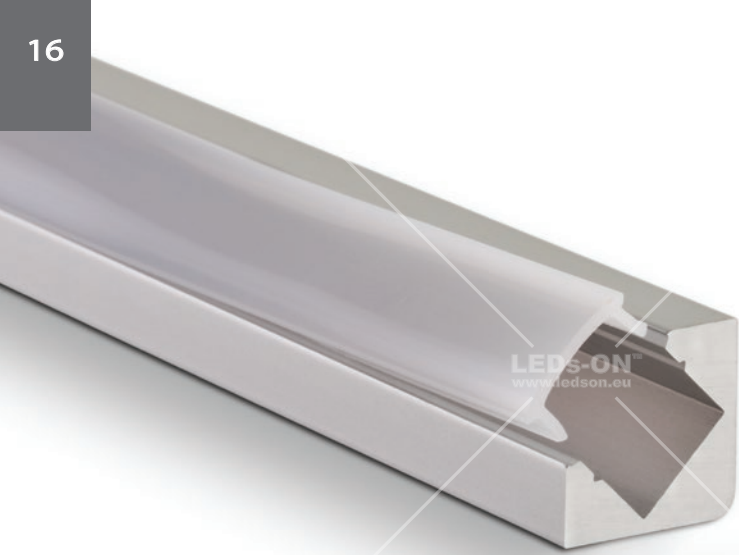


LP-AL-SL7-L60

LP-EC-60SL7-H1, H2



Aluminum end caps
LP-EC-60SL7-H1, H2



LP-MC-D1
Mounting bracket

LP-EC-D1
End cap w/out
cable hole

LP-EC-D2
End cap with
cable hole

ALU-45° LED PROFILE

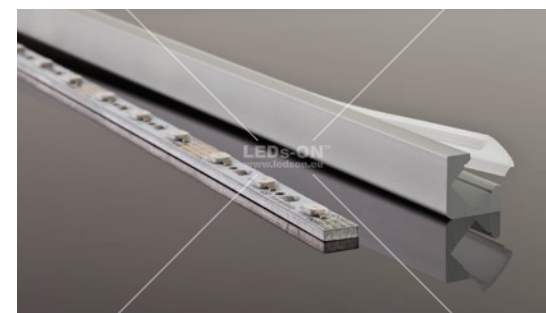
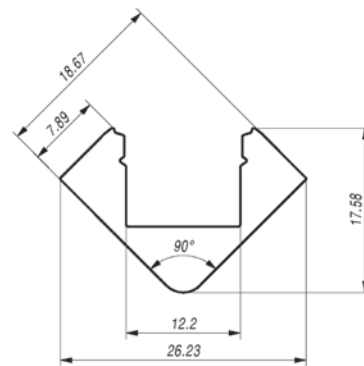
ALU-45°; 17,5 x 26mm

FEATURES:

- High quality diffuser now placing from the front on click
- Polycarbonate UV resistant, damage resistant (walk over safe)
- Diffuser available in transparent, 50% opal and opal
- Base of the profile is made in anodized aluminum
- Profile available in RAL9010 and standard anode color
- Profile is available in lengths 1m, 2m or 3m (large quantity order)
- ALU-CORNER is suitable for low power and high power leds
- Simplicity design with high quality finish

APPLICATIONS:

- Under kitchen cabinets LED lighting
- Stores shelves LED lighting
- Furniture production, inside cabinets LED lighting
- Storage shelves LED lighting
- Exhibition boot LED lighting



DESCRIPTION

This is Quality anodized aluminum LED profile in silver or RAL9010 finish color with 45° degree LEDs light emitting angle.

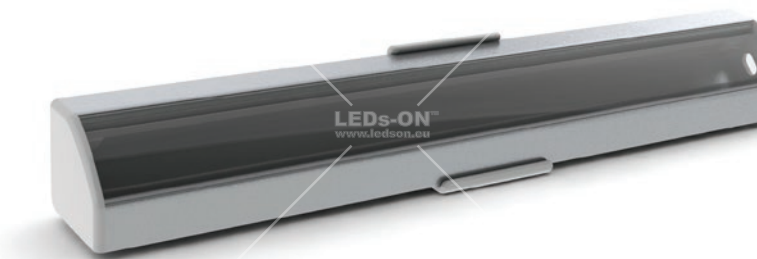
ALU-45° has been designed to fit in at any corner LED lighting application. The light emitted by the LEDs is directed by the shape of the profile in 45° degree angle to do not blind the person who stands in front of it. The LED profile is dedicated for the standard LED stripes up to 12mm of wideness. Large amount of aluminum weight [0,45kg/m] provides excellent thermal heat sink condition to the LEDs and also presents itself as the nice, stylish and professionally looking housing. The profile is able to handle and maintain stable temperature [45/50°C] at long period of time the in load up to 25W/m. It comes with choice of three different Quality UV resistant, snap-in diffusers, frosted, 50% frosted and transparent. The available accessories for ALU-45° LED profile such as end caps and mounting brackets helps professionally finish the installation.



LP-EC-D1
End cap

LP-AL-D2

LP-MC-D1
Mounting bracket



ALU-45° INSTALATION OPTIONS



Face shelf instalation



Corner instalation



Store shelf



ALU-CORNER

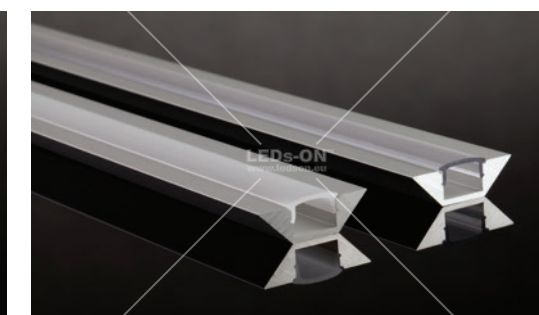
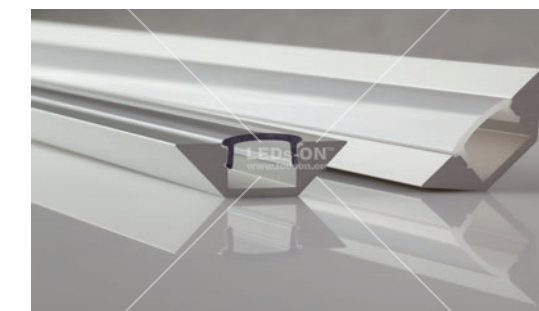
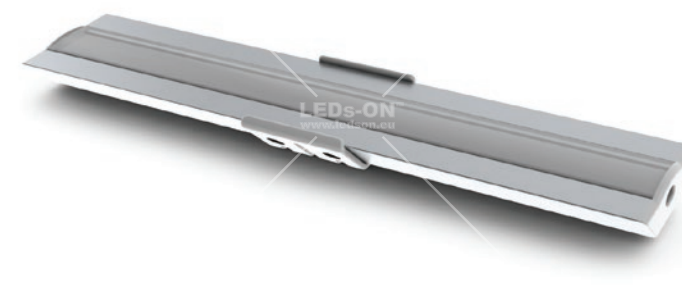
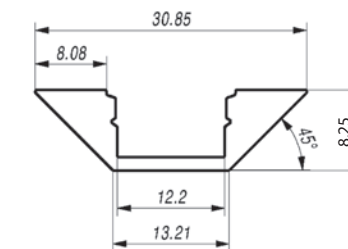
8,25 x 30,8mm

FEATURES:

- High quality diffuser now placed from the front on click
- Polycarbonate UV resistant, damage resistant (walk over safe)
- Diffuser available in transparent, 50% opal and opal
- Base of the profile is made in anodized aluminum
- Profile is available in RAL9010 and standard anodized color
- Profile is available in lengths 1m, 2m or 3m (large quantity order)
- ALU-CORNER is suitable for low power and high power

APPLICATIONS:

- Under kitchen cabinets LED lighting
- Stores shelves LED lighting
- Furniture production, inside cabinets LED lighting
- Storage shelves LED lighting
- Exhibition boot LED lighting
- Interior LED lighting

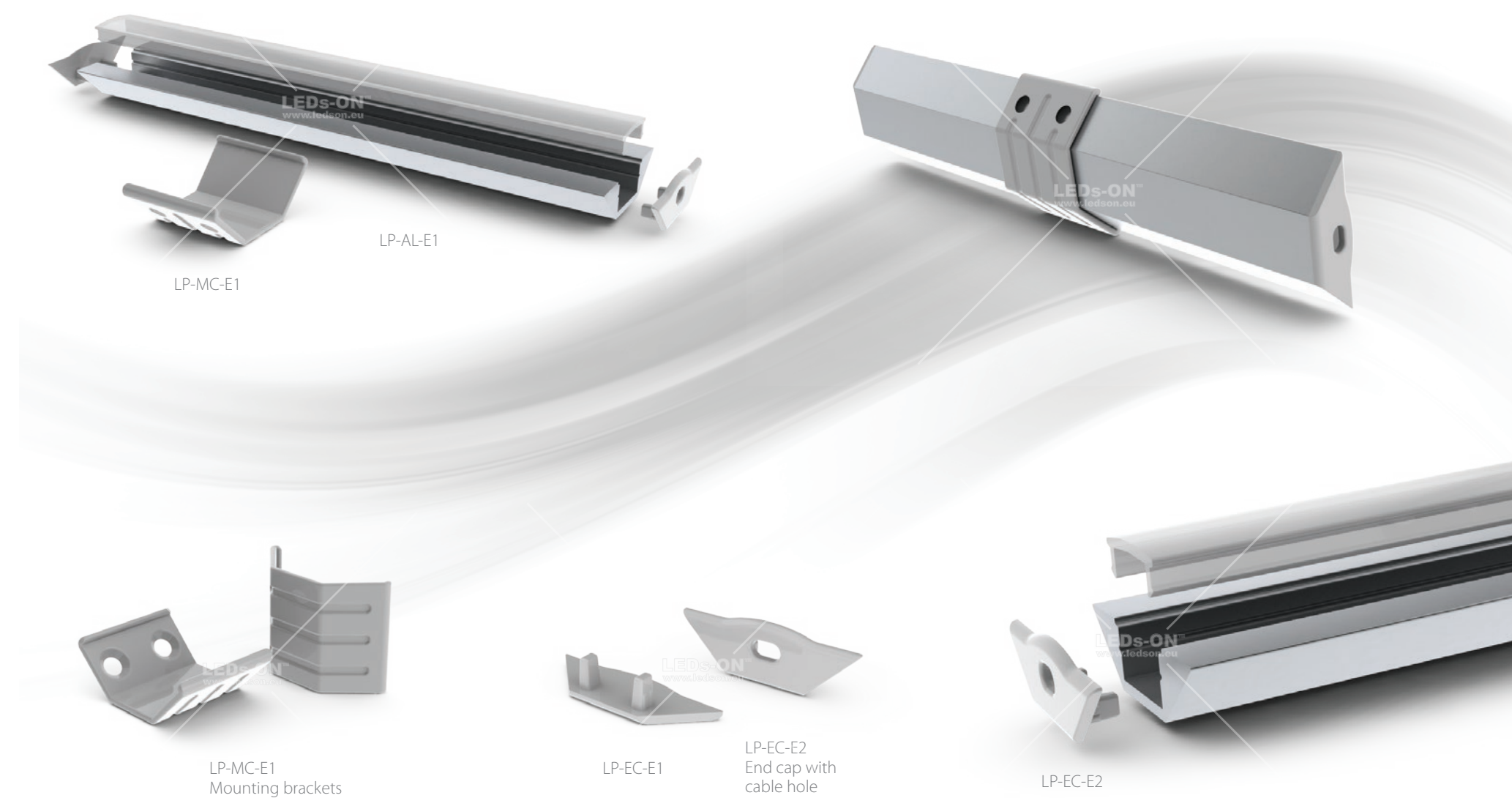


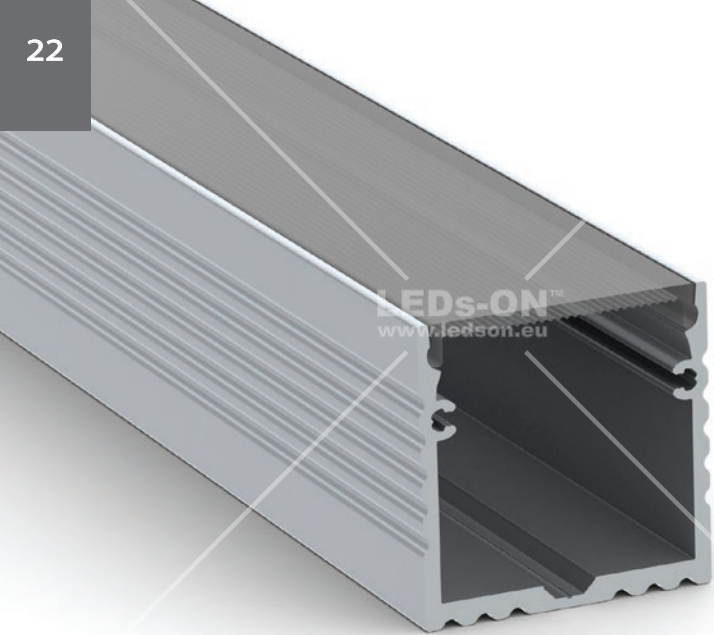
DESCRIPTION

Profile is made from anodized aluminum in silver or RAL9010 finish color with 45° degree LEDs light emitting angle. ALU-CORNER has been designed to fit in at any corner LED lighting application. It is often use for under kitchen cabinets and shelf LED lighting. The light emitted by the LEDs is directed by the shape of the profile in 45° degree angle to do not blind the person who stands in front of it. The LED profile is dedicated for the standard low power or mid power LED stripes up to 25W/m which wideness is up to 12mm. The profile is performing as the heat sink to the LEDs and appears as nice, stylish housing for the LED stripes itself. The profile is coming with choice of three high Quality UV resistant and damage resistant snap-in diffusers, frosted, 50% frosted and transparent. It is available on stock with related accessories such as end caps and mounting brackets which helps professionally finish the profile.



ALU-CORNER ACCESSORIES





POWER LINE 35mm

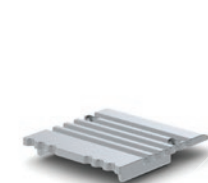
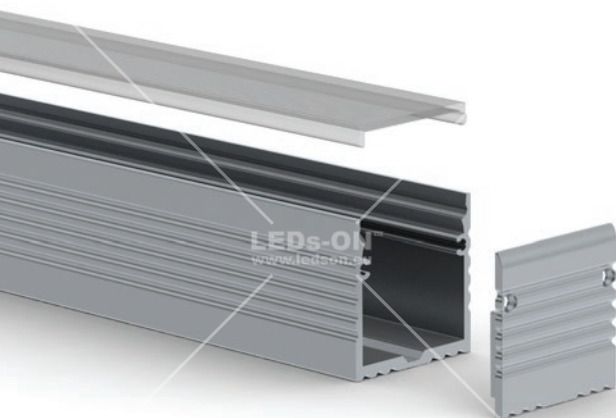
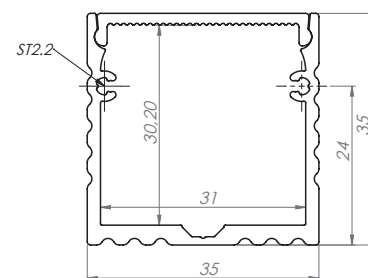
PL35mm; 35x35mm

FEATURES:

- High standard of anodizing aluminum surface
- High Quality UV resistant polycarbonate snap in diffuser
- Two different light diffusers to choice from, frosted (LEDs dots free) and transparent.
- LEDs DOTS FREE design (frosted diffuser)
- Contemporary design which can be suspended from the ceiling or surface installed
- Suitable for standard or high power LED stripes up to 30W/m
- Available on stock in anodized silver color
- Possible length and color customizing at MOQ
- Available on stock with dedicated accessories such as two type of end caps
- Indoor use only, IP20

APPLICATIONS:

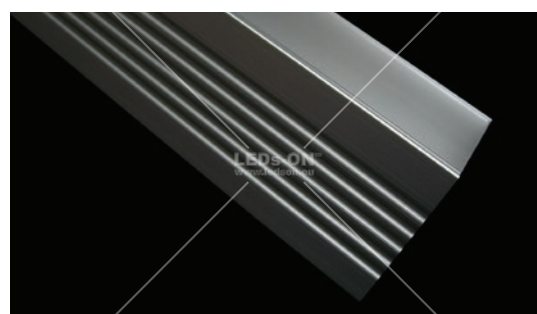
- LED lamp component
- Retail store main ceiling LED lighting
- Suspended LED lighting lamp
- Exhibitions, hotels, restaurants main LED lighting
- Decorative linear LED lighting
- Exhibition boot LED lighting



End caps type
LP-EC-PL2



End caps type
LP-EC-PL1



DESCRIPTION

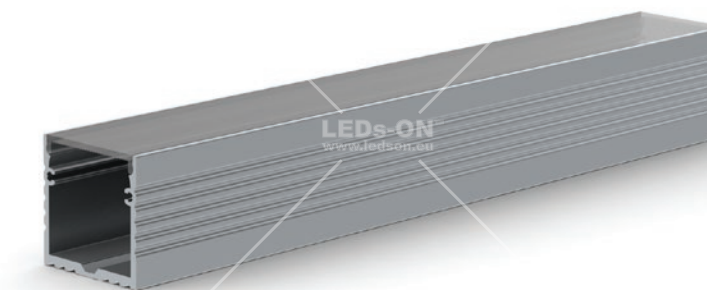
This profile is dedicated to be use as the LED lighting xture for main lighting at the offices, libraries show rooms or above the kitchen table. It is made from anodized aluminum and is suitable for up to 32mm wide high power LED bars.

The profile can be suspended from the ceiling on the stainless still wires or can be screw it directly to the surface. Profile comes with polycarbonate UV resistant frosted or transparent diffuser placed and removed from the front on click.

We have designed two types of nished end cups for two dierent installation options. Profile is available in length of 1m or 2m.

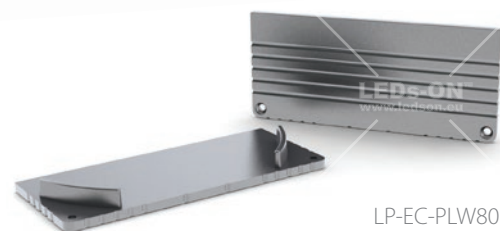


End cap type
LP-EC-PL1





LP-AL-PLW80



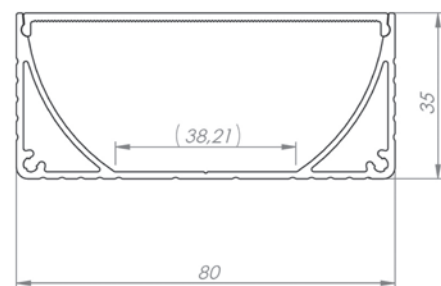
LP-EC-PLW80
Aluminum end caps

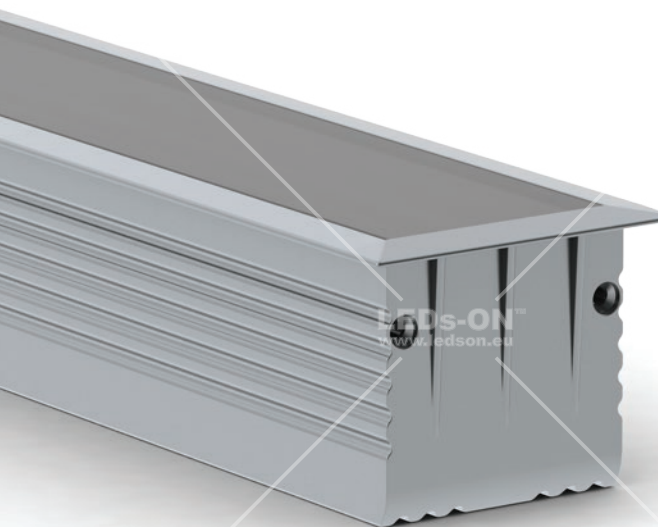
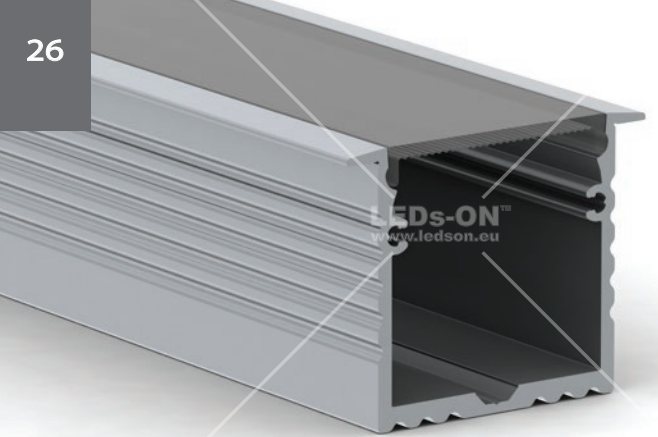
POWER LINE WIDE 80mm

PLW80; 80 x 35mm

This is new surface installation 80mm width high quality anodized aluminum LED profile with "LEDs DOTS FREE" frosted diffuser.

The anodizing surface quality is the same as in other our profiles and it is free of any extrusion marks and production screeches. Anodizing surface is thick enough to resist the transportation and sometimes difficult operating condition. Extended internal LED chamber dimensions for LED stripes gives you free hands of type and size of LED stripe/s what can be accommodate inside the profile. You can use almost any type of led stripe and you decide how much light will come out by using the right LED stripe. The heavy duty heat sink (PLW80 profile) is prepared and capable to provide excellent cooling system for low/high power LED bars [up to 35W/m]. Specially shaped internal chamber reduce the light lost (bouncing of the light inside the profile) and drive the light slight up to the diffuser surface where the light diffusion is taking place. The profile is coming with choice of two high quality UV stabilized, snap in diffusers in frosted and transparent. PLW80 profile is available with color matching aluminum end caps for professional finish.





LP-EC-RPL
End caps

RECESSED POWER LINE 35mm

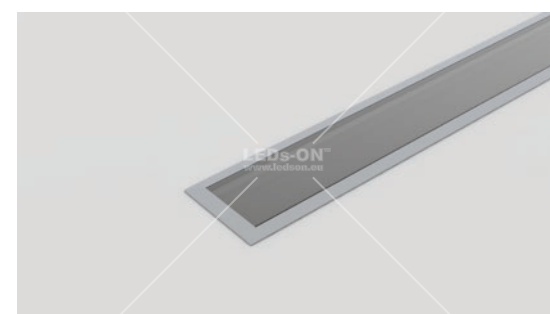
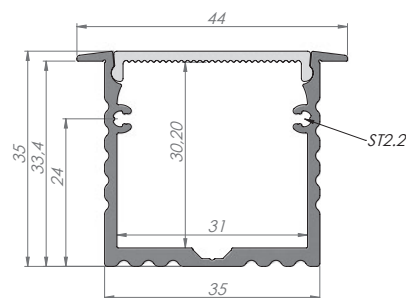
RPL35; 35 x 35mm

FEATURES:

- High quality polycarbonate diffuser
- No LED dots shows on the diffuser surface
- Right high, soft and smooth light diffusion
- Diffuser is placed/removed from the top on click
- High quality anodized aluminum base
- Heavy duty "heat sink" for high power LEDs
- Compatible with our 30mm wide high power LED bars
- Matching finish end cups for this profile are available
- Gypsum ceiling installation
- Available in length of 1m, 2m or 3m with clear or frosted diffuser

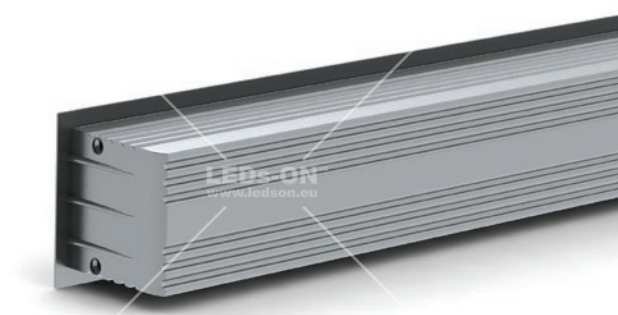
APPLICATIONS:

- Show rooms ceiling LED lighting
- Restaurants ceiling LED lighting
- Shopping malls LED lighting



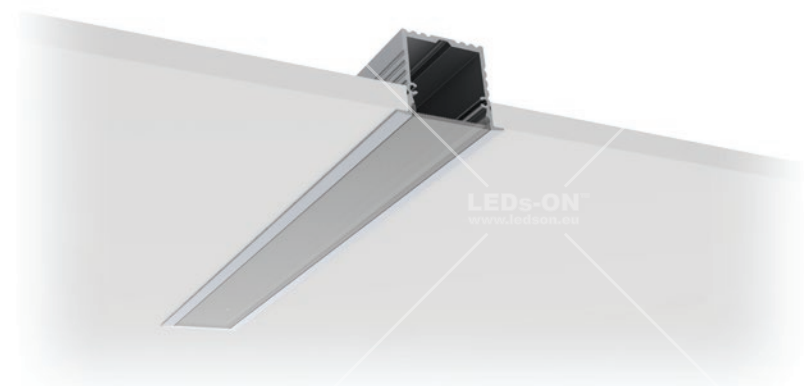
DESCRIPTION

This profile is dedicated to build into the gypsum ceiling as the LED lighting fixture for main lighting at the offices, show rooms, restaurants and shops. It is made from anodized aluminum and is suitable for up to 32mm wide high power LED bars. Profile comes with polycarbonate UV resistant frosted or transparent diffuser placed and removed from the front on click. The light diffusion with the frosted diffuser is complete. RPL35 is giving soft light on the whole surface. Profile is dedicated for the high power LED lighting. It is available in length of 1m or 2m.

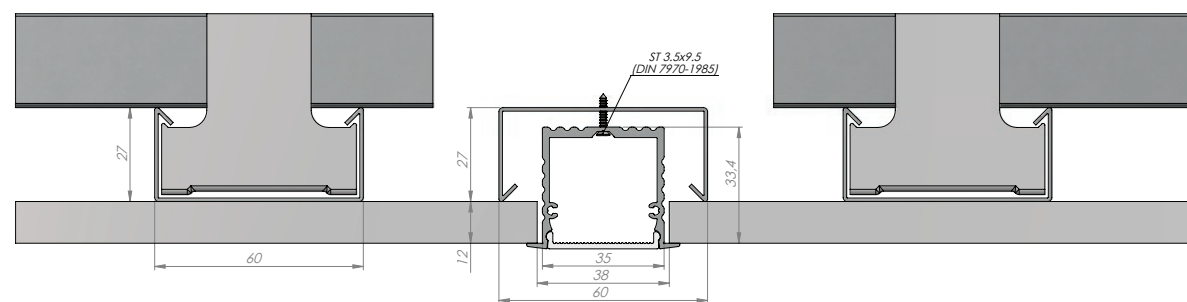


RECESSED POWER LINE 35 INSTALATION OPTIONS

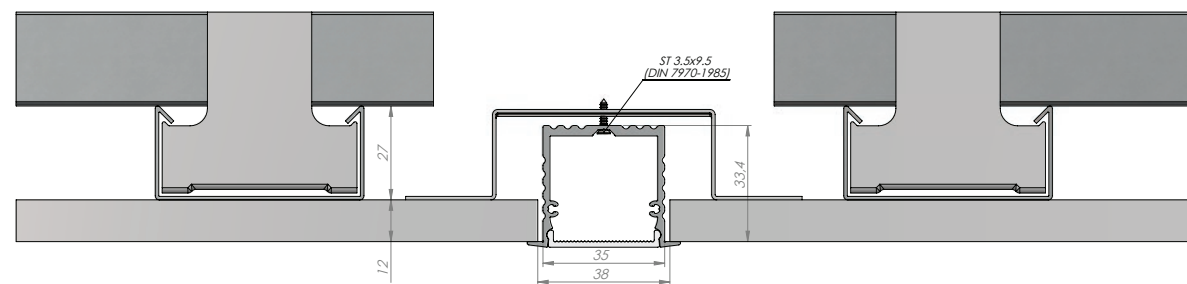
Gypsum ceiling installation.



OPTION 1. W/OUT FIRE RESTRICTIONS

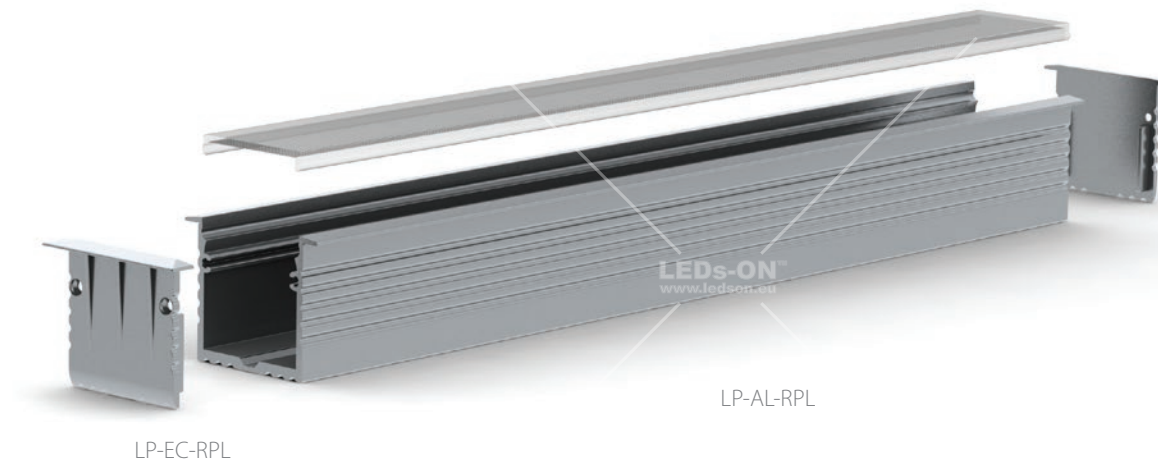
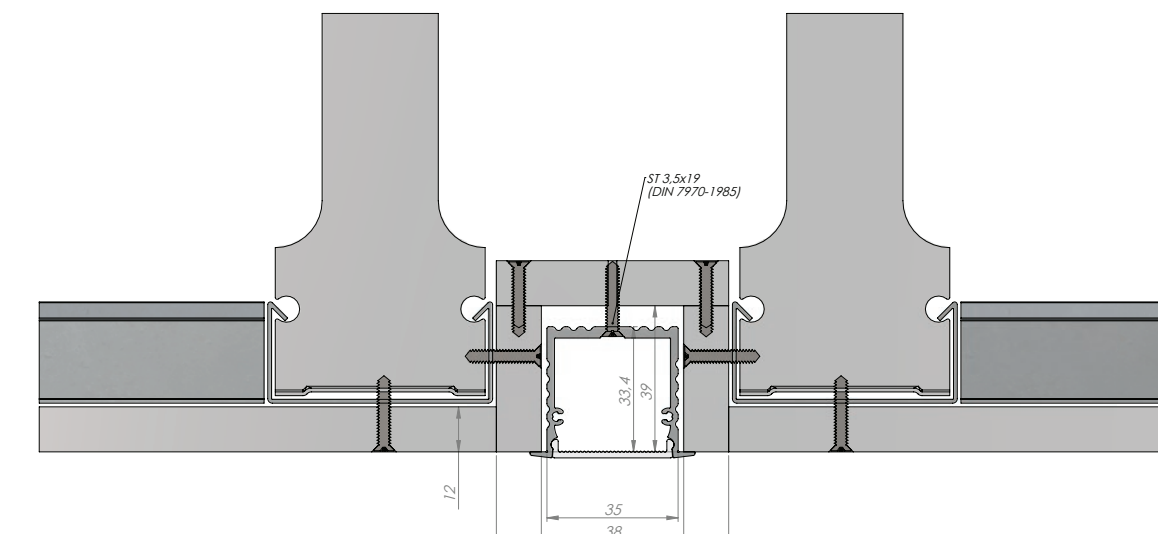


OPTION 2. W/OUT FIRE RESTRICTIONS



RECESSED POWER LINE 35 INSTALATION OPTIONS

OPTION 3. WITH FIRE RESTRICTIONS





ALU ROUND Ø24mm

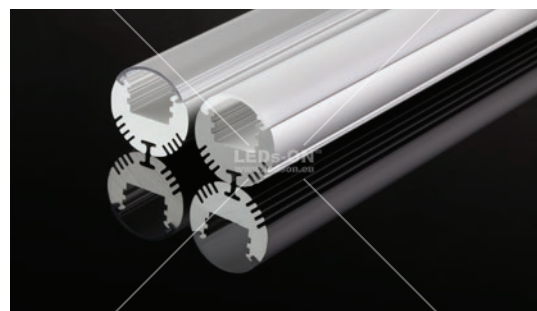
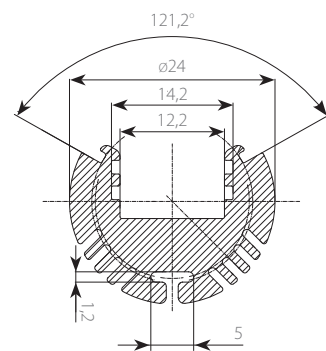
ALU ROUND; Ø 24

FUTURES:

- High quality round shape polycarbonate diffuser
- Diffuser is placed/removed from the top on click
- High quality anodized aluminum base
- Heavy duty "heat sink" for high power LEDs
- Compatible with up to 12mm wide high power LED bars
- Available finish end caps and mounting system with angle regulation
- Two different installation options (wall or suspended)
- Available in length of 2m/1m with clear or frosted diffuser

APPLICATIONS:

- Hotels headboard bed reading lamp with angle regulation
- Show rooms track LED lighting
- Reception desk main LED lighting
- Restaurants above table main LED lighting
- Shopping boutiques exposition LED lighting



DESCRIPTION

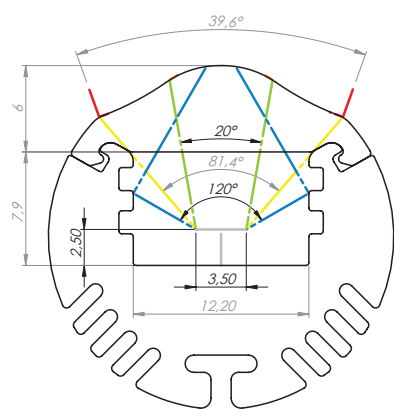
This is small round shape LED profile with round diffuser. It has been designed for high power led lighting. Massive aluminum weight provides excellent mechanical and thermal protection to the LEDs. The profile is made from anodized aluminum and it comes with round UV resistant polycarbonate clear or frosted diffuser. The installation of the diffuser is from the front on click. Installation and removing is easy and simple. It comes in 1m or 2m sections and is suitable for high power led lighting. The ALU-ROUND can be installed in the wardrobe or closet as the clothes rod led lighting, in the jewelry cases, refrigerated cabinets at the grocery store and other places.



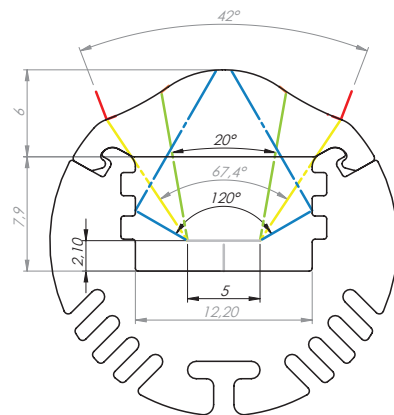


ALU-ROUND with 30° optic lens

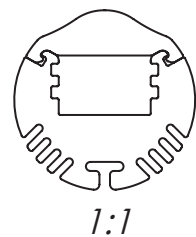
ALU ROUND; Ø 24



Alu-Round profile with 30° lens LEDs type 3528



Alu-Round profile with 30° lens LEDs type 5060



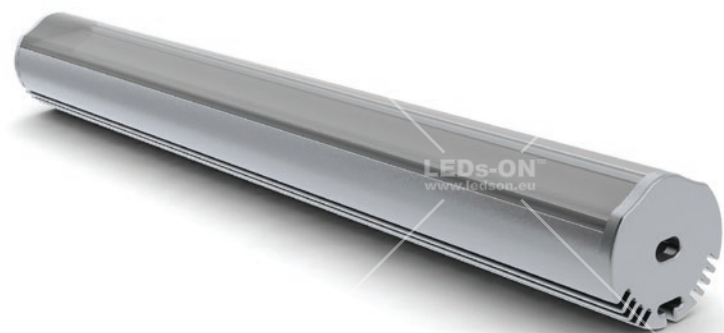
1:1

fi=24



LP-AL-RO-LK1, K2

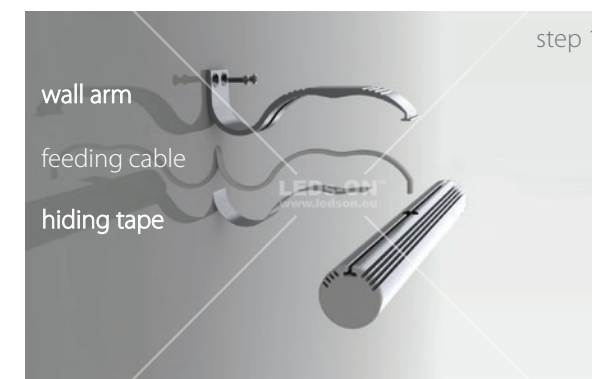
LP-EC-30RO
Aluminum End Caps



ALU-ROUND ACCESSORIES / Wall-Arm

This is specially dedicated wall arm for the Alu-Round Led profile. The special material will draw behind the profile is allowing us to slide in the arm and hold firmly in place the LED fixture.

The power feeding cable was transferred to the profile thru the wall arm the best possible way. The profile now can be installed at any place on the wall lighting up the wall or some objects standing next to. The design of the wall arm is matching with the design of the Alu-Round profile.



step 1



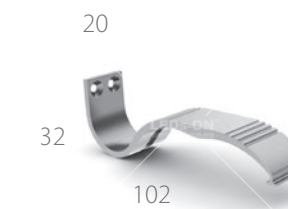
step 2



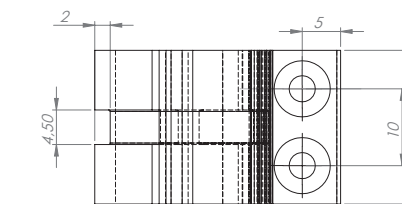
step 3



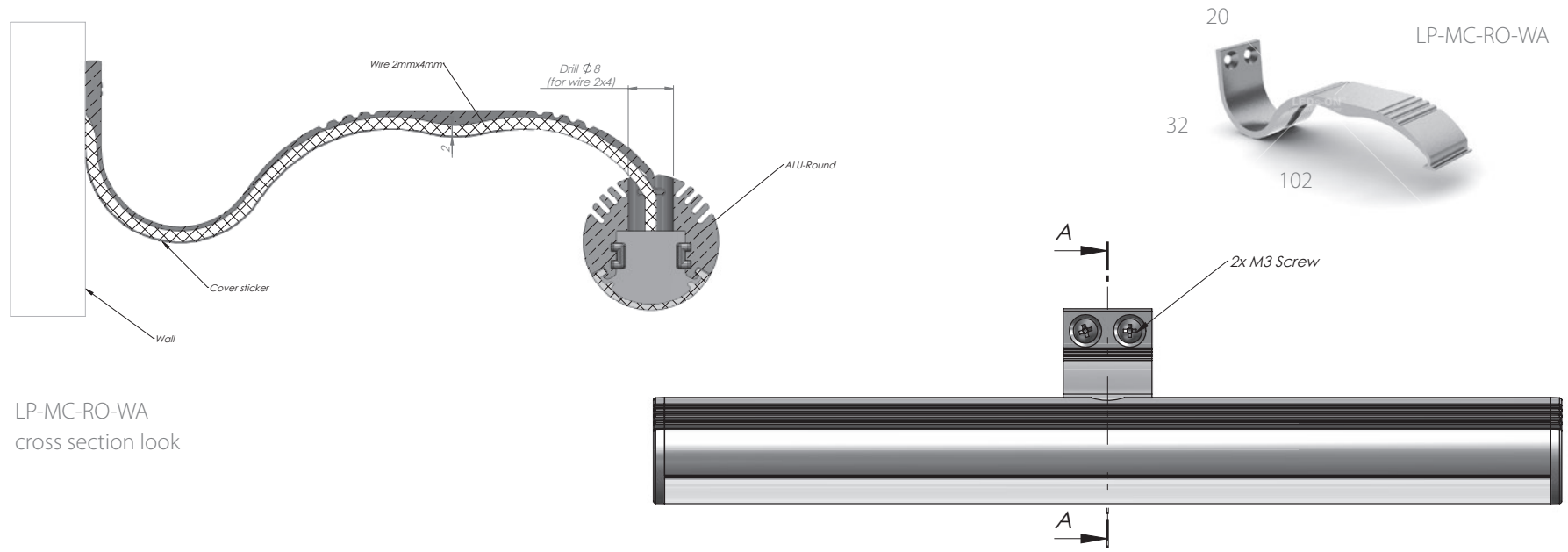
LP-MC-RO-WA
cross section look



LP-MC-RO-WA



scale 1:1



The main purpose for this arm is lighting from down or from above the objects such as art work, gallery, jewelry etc.

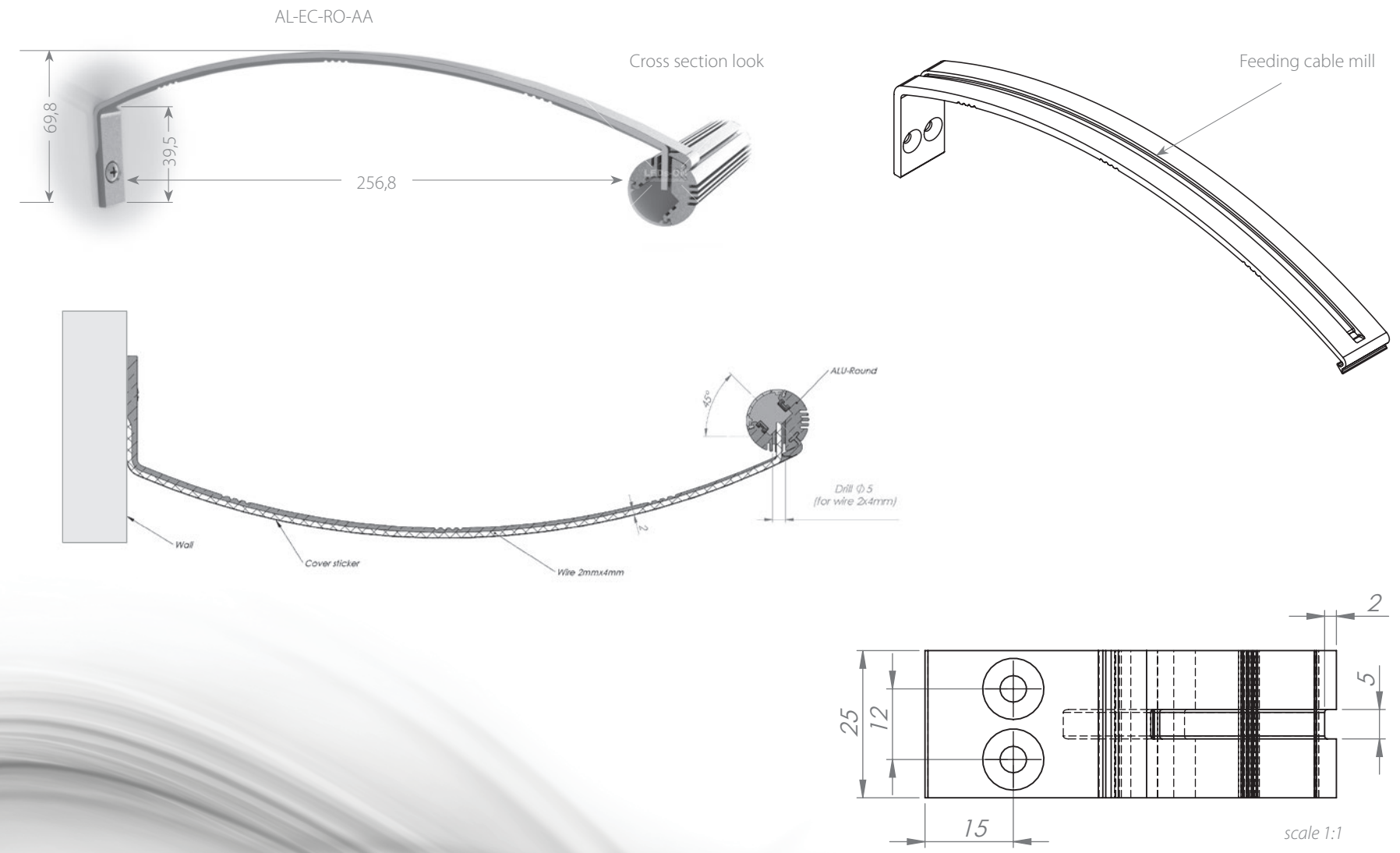
The light emitted by leds is directed in 45 degree angle.

The arm is matching perfectly with the Alu-Round led profile.

The feeding cable is hidden in the arm and can be covered by the sticky aluminum imitating tape.



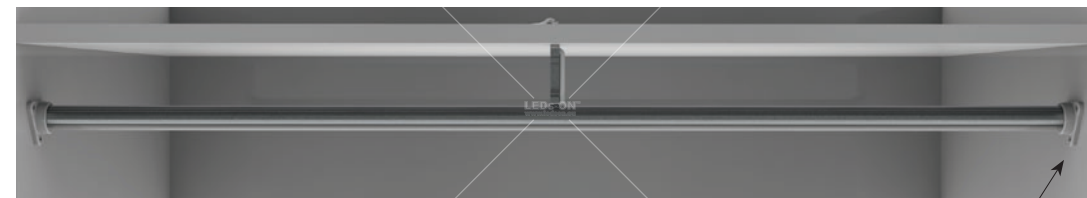
ALU-ROUND ACCESSORIES Art Lighting Arm



ALU-ROUND ACCESSORIES



ALU-ROUND ACCESSORIES Closet bracket for Alu-Round led profile

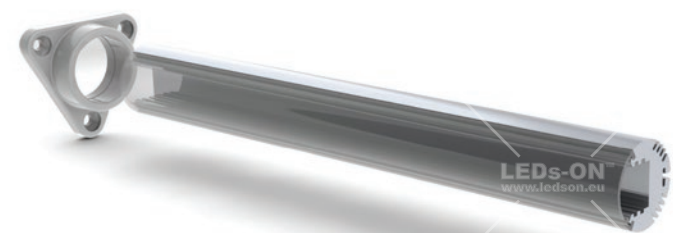


Wall to wall closet led rod (Alu-Round) installation

Closet brackets are made from special material which do not brake during the screwing or heavy load



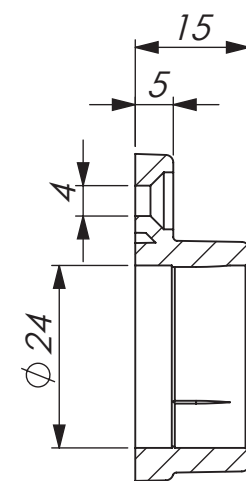
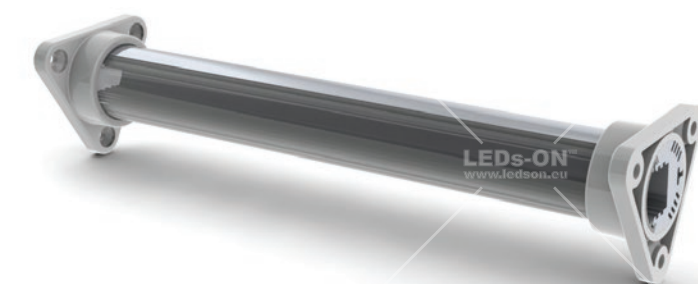
LP-MC-R2 Closet bracket



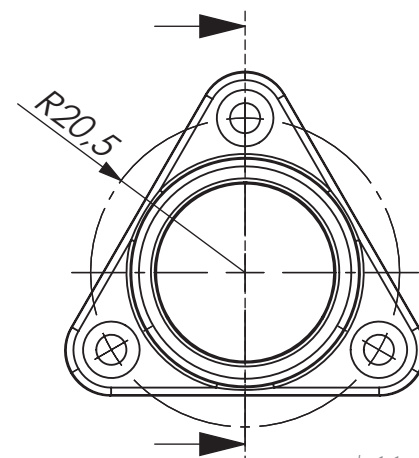
LP-AL-RO



LP-MC-R2

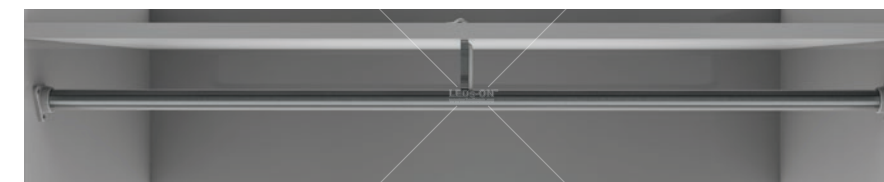


scale 1:1



scale 1:1

ALU-ROUND ACCESSORIES Intermediate support arm for Alu-Round led profile for closet mount



End mount type 1m of led profile (Alu-Round) at the closet with closet brackets and intermediate support arm



Stem mount of 1m led profile (Alu-Round) at the closet

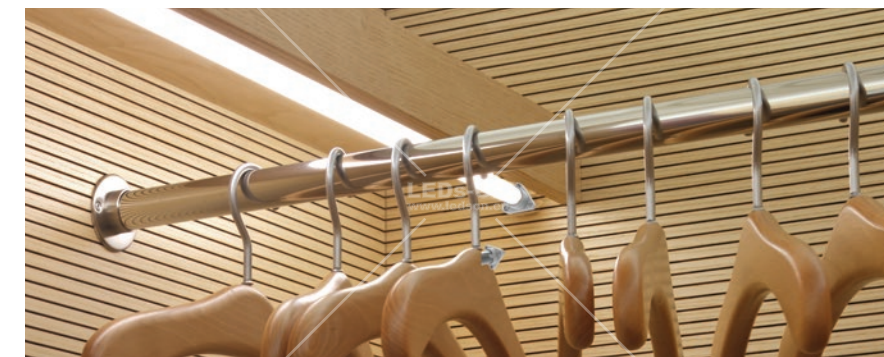


Stem mount type of led profile (Alu-Round) at the closet with intermediate support arm



End mount type - 2m of led profile Alu-Round at the closet with closet brackets and intermediate support arm

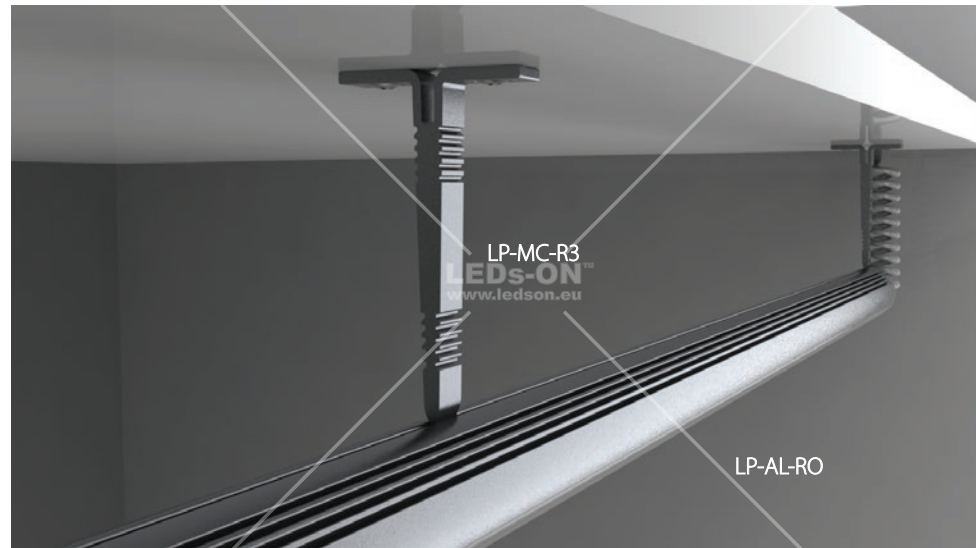
Maximum capability of weight handling per one arm is 25kg



Alu-Round intermediate support arm LP-MC-R3

scale 1:1

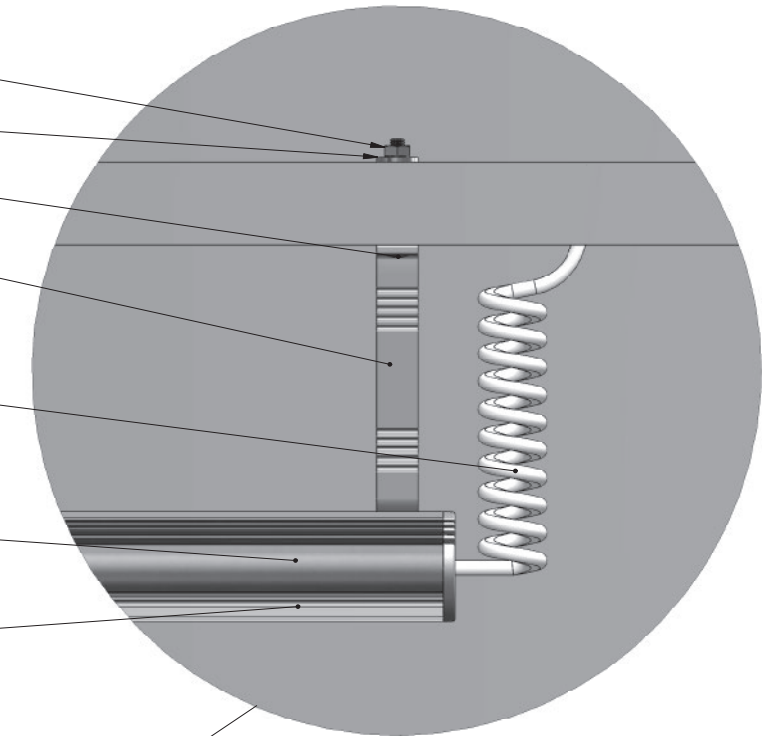
STEM MOUNT



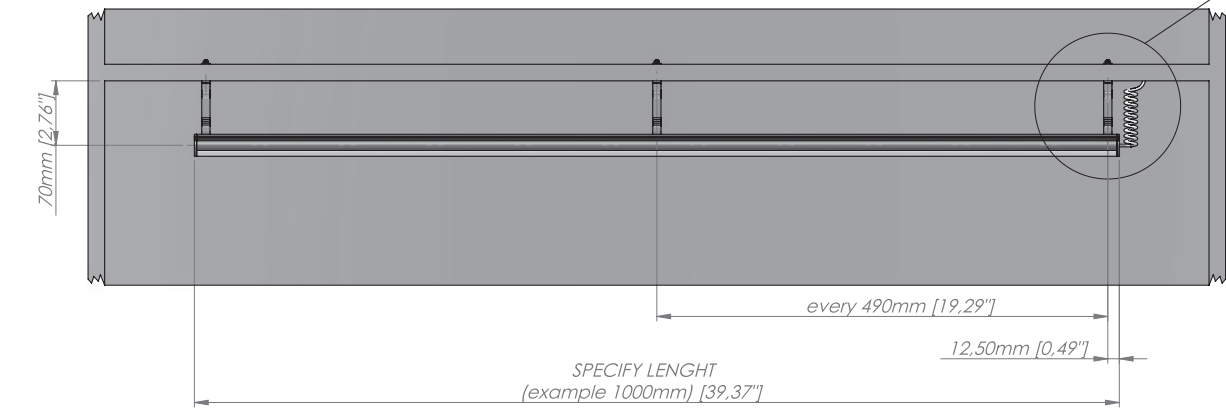
Maximum capability of weight handling per one arm is 25kg

STEM MOUNT

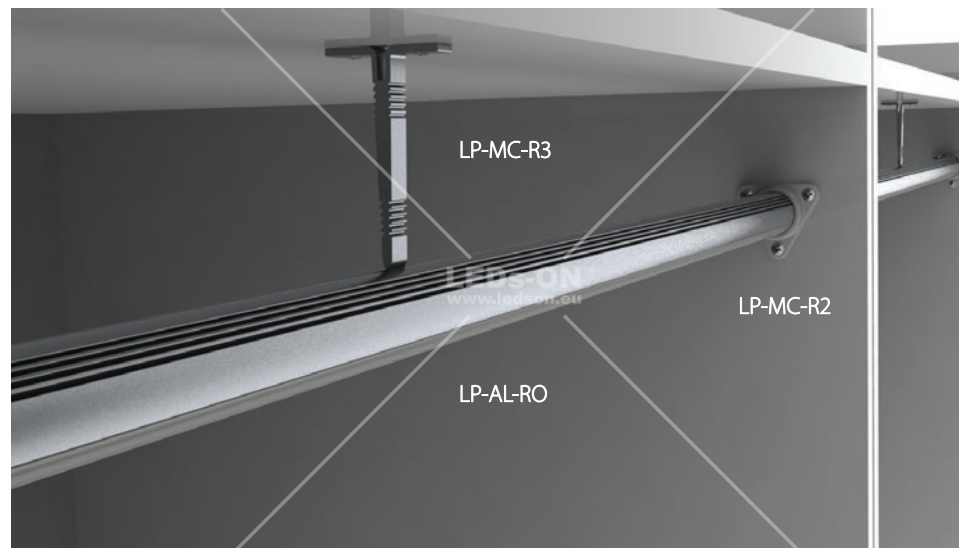
- Nut M3
- Washer M3
- Screw M3
- Closet bracket
- Feeding cable
- Housing
- Lens



Intermediate supports
 Length : 100cm/39,4" - 3pcs
 200cm/78,8" - 5pcs



END MOUNT

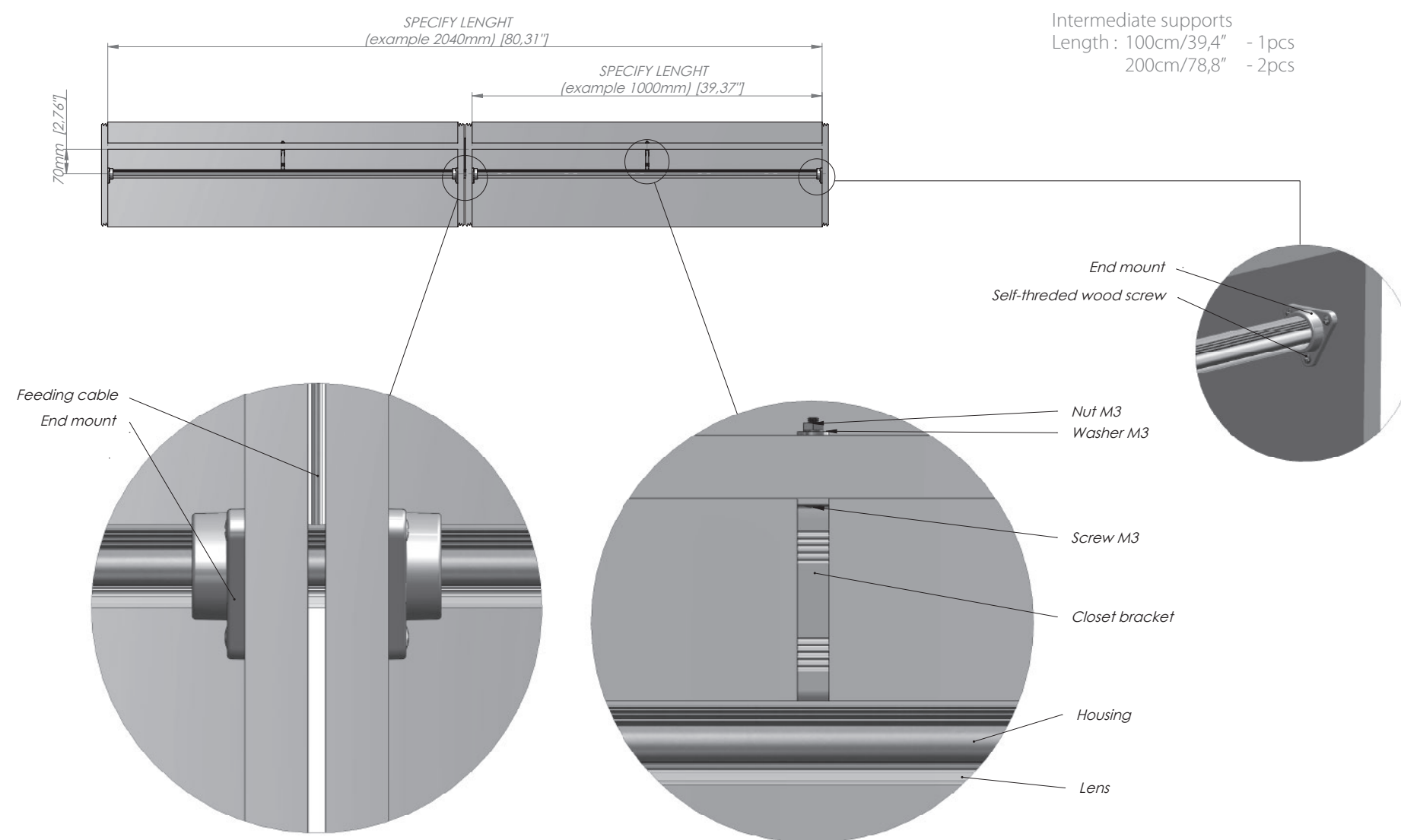


LP-MC-R2
End mount closet bracket



Maximum capability of weight handling per one arm is 25kg

END MOUNT



- Intermediate supports
- Length : 100cm/39,4" - 1pcs
- 200cm/78,8" - 2pcs

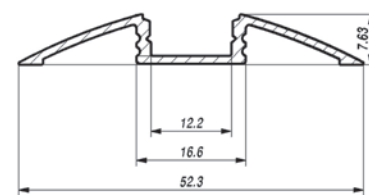


ALU FLAT LED PROFILE

ALU FLAT; 7,63 x 52,3mm

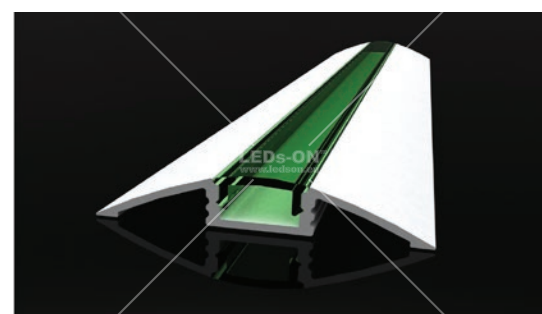
FUTURES:

- High quality diffuser now placed from the front on click
- Polycarbonate UV resistant, damage resistant (walk over safe)
- Diffuser available in transparent, 50% opal and opal
- Base of the profile is made in anodized aluminum
- Profile is available in RAL9010 and standard anodized color
- Profile is available in lengths 1m, 2m or 3m (large quantity order)
- ALU-FLAT is suitable for low power and high power LEDs
- Simplicity in design with high quality finish
- Profile and diffuser is "walk over safe"
- Protection grade IP20



APPLICATIONS:

- Under kitchen cabinets LED lighting
- Stores shelves LED lighting
- Floor LED lighting
- Storage shelves LED lighting
- Exhibition boot LED lighting
- Interior LED lighting



DESCRIPTION

Aluminum LED profile only 7,6mm. The aluminum profile walls thickness and the damage resistant diffuser allow you to walk over this profile. It has been positively tested and is "walk over" safe. The profile is available in anodized version of aluminum and RAL9010. Profile comes with polycarbonate UV resistant, damage resistant diffuser, which now is placed, into the profile from front for click. The customer has choice of use transparent, 50% frosted and frosted diffuser. Profile provides mechanical and thermal protection (heat sink) to the LEDs and is suitable for high power LED lighting. The profile has many different applications it can work as under store shelves independent LED lamp or can be installed on the floor to cover the connection and provide additional protection for the computer cables.



ALU-FLAT ACCESSORIES





ALU STAIR LED PROFILE

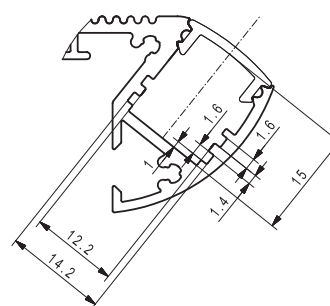
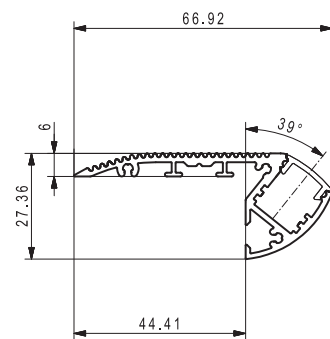
ALU STAIR; 66 x 27,5mm

FUTURES:

- Hard aluminum alloy and special anodizing thickness
- High standard of anodizing aluminum
- High Quality UV resistant polycarbonate snap in diffuser
- Two different light diffusers to choice from, frosted (LEDs dots free) and transparent.
- LEDs DOTS FREE design (frosted diffuser)
- Stair installed LED profile with smooth line of light
- Suitable for standard or high power LED stripes up to 30W/m
- Available on stock in anodized silver color
- Possible isolation of the diffuser and end cap against water with transparent silicone
- Possible length and color customizing at MOQ
- Available on stock with dedicated end caps
- Indoor use only, IP20

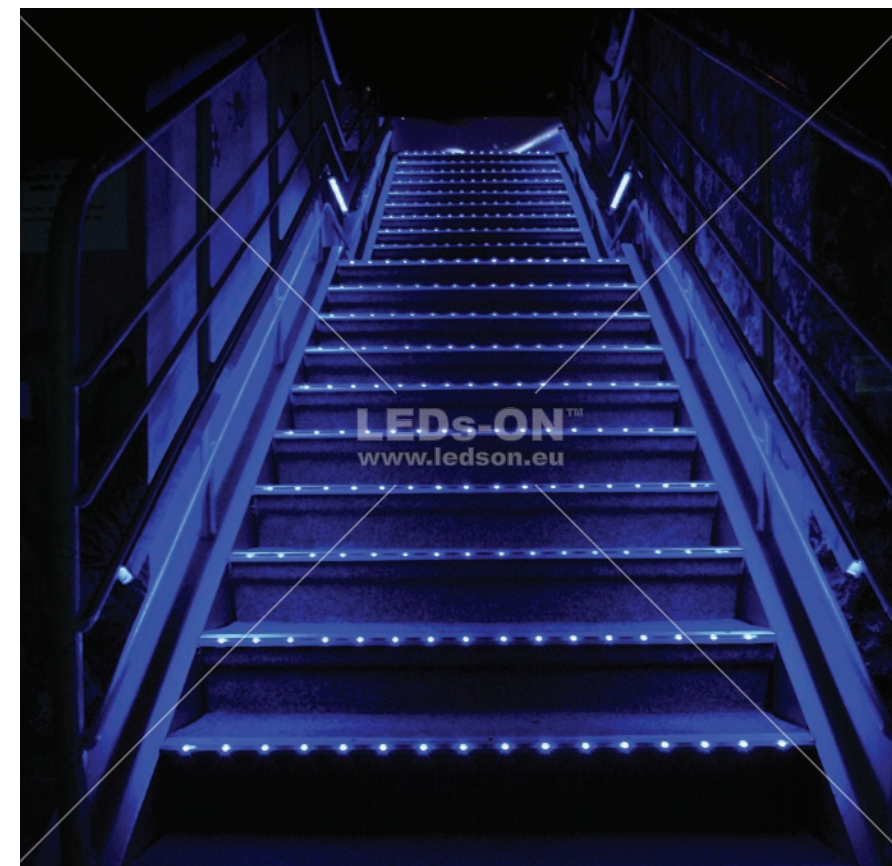
APPLICATIONS:

- Stair LED lighting illumination
- Hotels, cinemas, restaurants, night clubs, stair LED lighting



DESCRIPTION

Stair installed LED profile is designed for steps illumination in darker rooms. It has been made from hard anodized aluminum alloy for walk over safety and time ware out resistant. The profile is coming with choice of two high quality UV resistant, damage resistant snap-in diffusers in frosted and transparent. The frosted diffuser is "LEDs DOTS FREE" and is giving nice and soft smooth line of light on the whole diffuser surface. The profile LED chamber can accommodate standard or high power led stripes up to 12mm of the wideness. The profile can be installed inside or outside if connected with IP67 LEDs stripes and profile LED chamber will be silicone insulated against water. The available accessories such as end caps helps professionally finish the profile. Installation steps are fully explained in the PDF catalogue.



hard aluminum alloy,
ware out resistant

free space for silicone
insulation of the led
chamber (option)

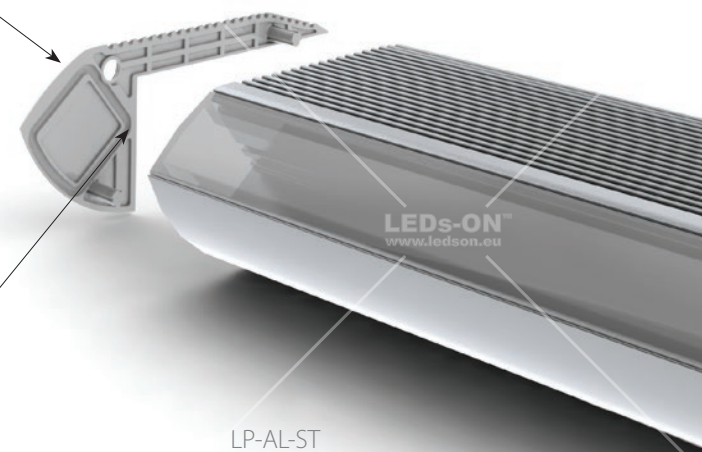
dots free led profile (frosted)
12,2 mm wide led chamber

LP-EC-SR
end cap (left)

free space for silicone
insulation of the led
chamber (option)

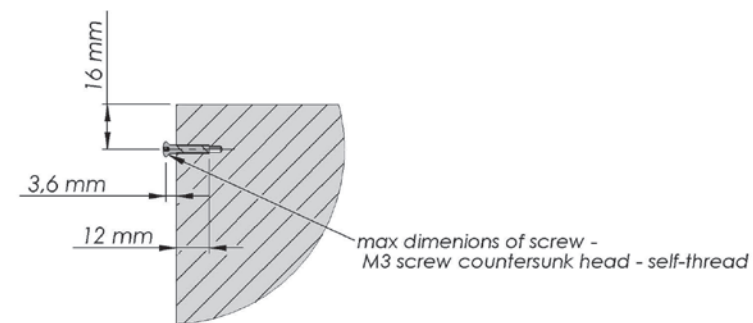


LP-AL-ST

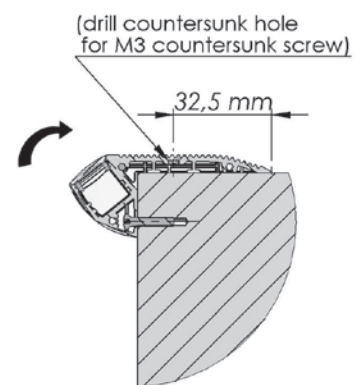
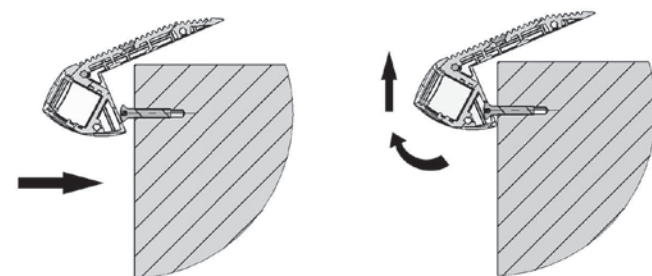


LP-AL-ST

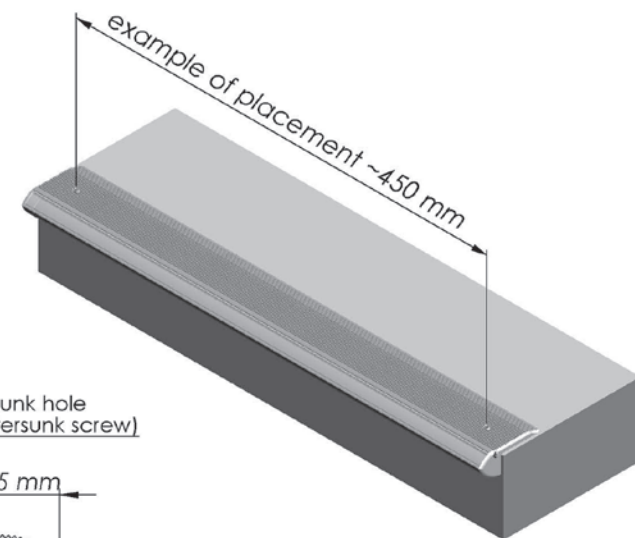
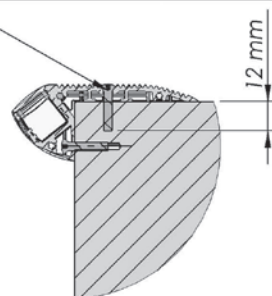
STEP 1



STEP 2



STEP 3

Countersunk head screw M3x16
- self thread

ALU-WALL LED PROFILE

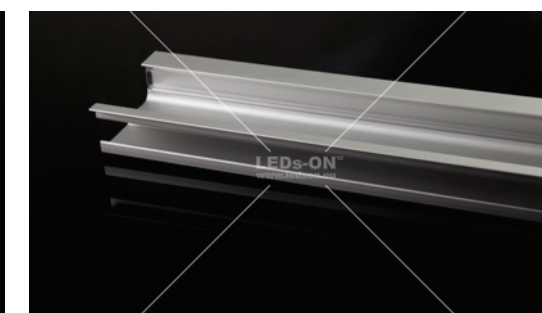
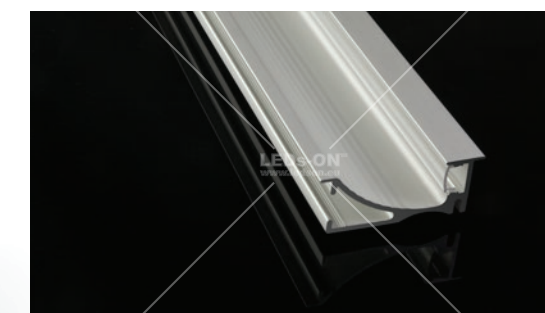
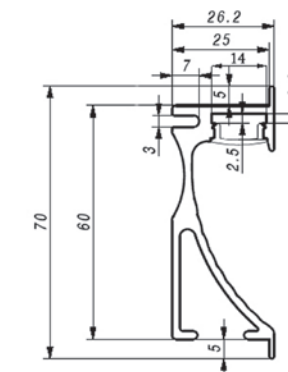
ALU-WALL; 26,2 x 70mm

FUTURES:

- Asymmetric, wall installed LED profile for floor LED lighting
- High standard of anodizing aluminum surface
- High Quality UV resistant polycarbonate snap in diffuser
- Two different light diffusers to choice from, frosted or transparent.
- Minimalistic design
- Extra LED heat silk capability of the profile (up to 30W/m)
- Available on stock in anodized silver color
- Suitable for high power or low power LED stripes
- Possible length and anodizing color customizing at MOQ
- Available on stock with dedicated finish end caps
- Indoor and outdoor use (outdoor with IP67 leds)

APPLICATIONS:

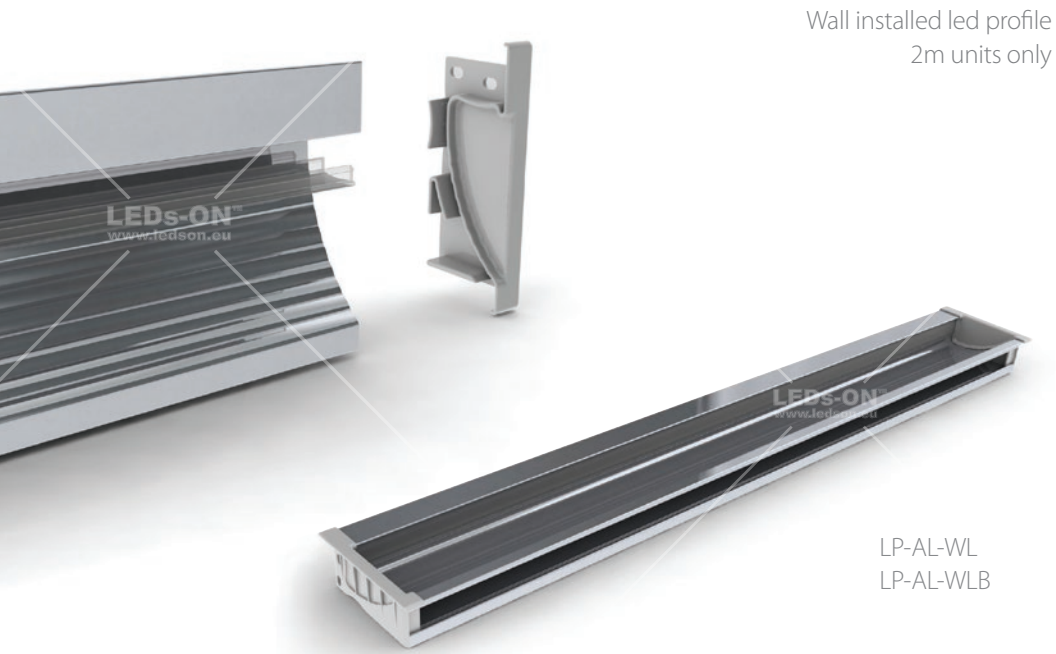
- Asymmetric, wall build-in type LED profile for floor LED lighting
- Floor hallways LED lighting profile
- Perfect for hotels hallways, restaurant, hospitals, underground
- Walkways LED lighting



DESCRIPTION

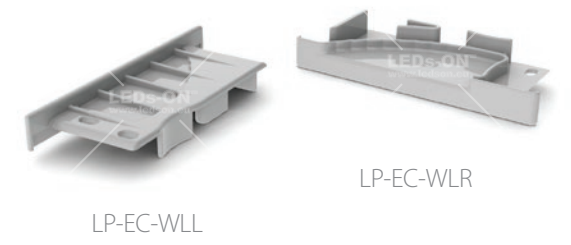
Asymmetric, High Quality anodized aluminum LED profile which has been design to instal into wall and the light is directed to the floor.

It is perfect solution for floor LED lighting of long walking area such as hotels hallways, underground subway stations, shopping malls, museum hallways, building fasade. The profile can be use inside or outside with connection of IP67 LEDs inside. The LED profile is dedicated for the standard LED stripes up to 12mm of wideness. The profile is coming with choice of two high quality UV resistant, damage resistant snap-in diffusers, frosted and transparent. The aluminum profile it is performing as the heavy heat sink to the LEDs [0,9kg/m] and also presents itself as the nice, stylish and professionally looking housing. ALU-WALL is suitable for high power [up to 30W/m] or low power LEDs. It is available on stock with related accessories such as end caps which helps professionally finish the profile. Installation options are fully explained in the PDF catalogue.



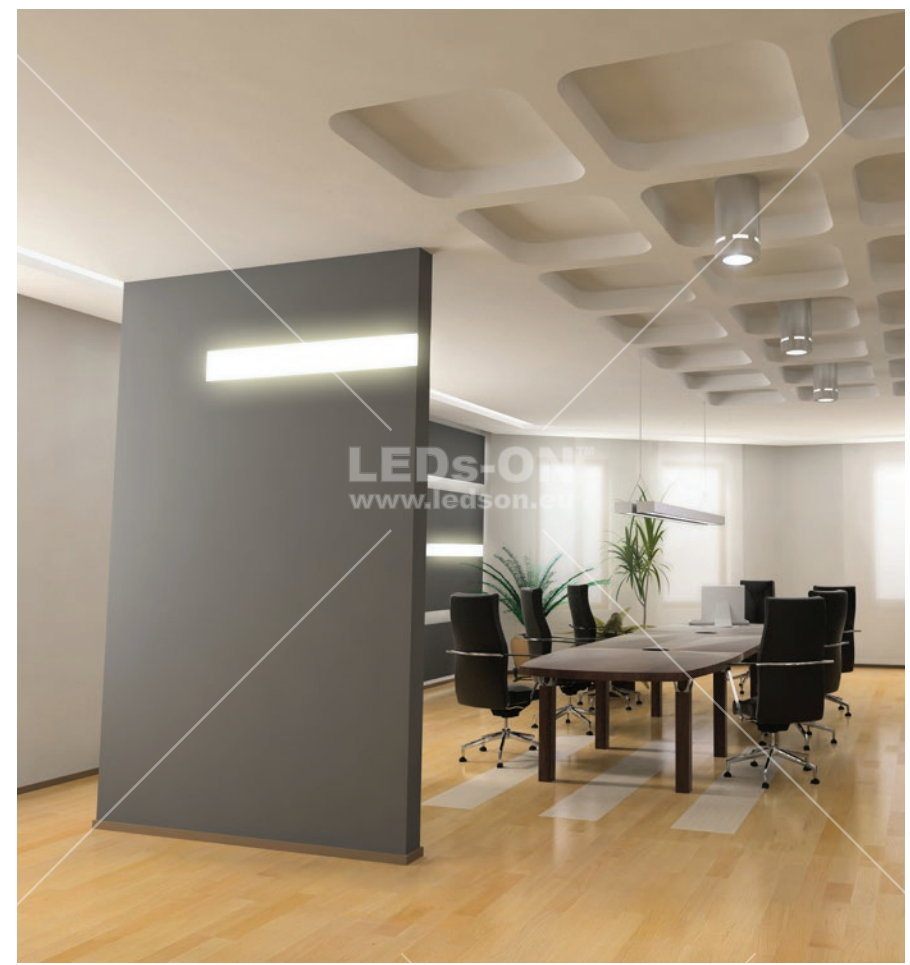
Wall installed led profile
2m units only

LP-AL-WL
LP-AL-WLB



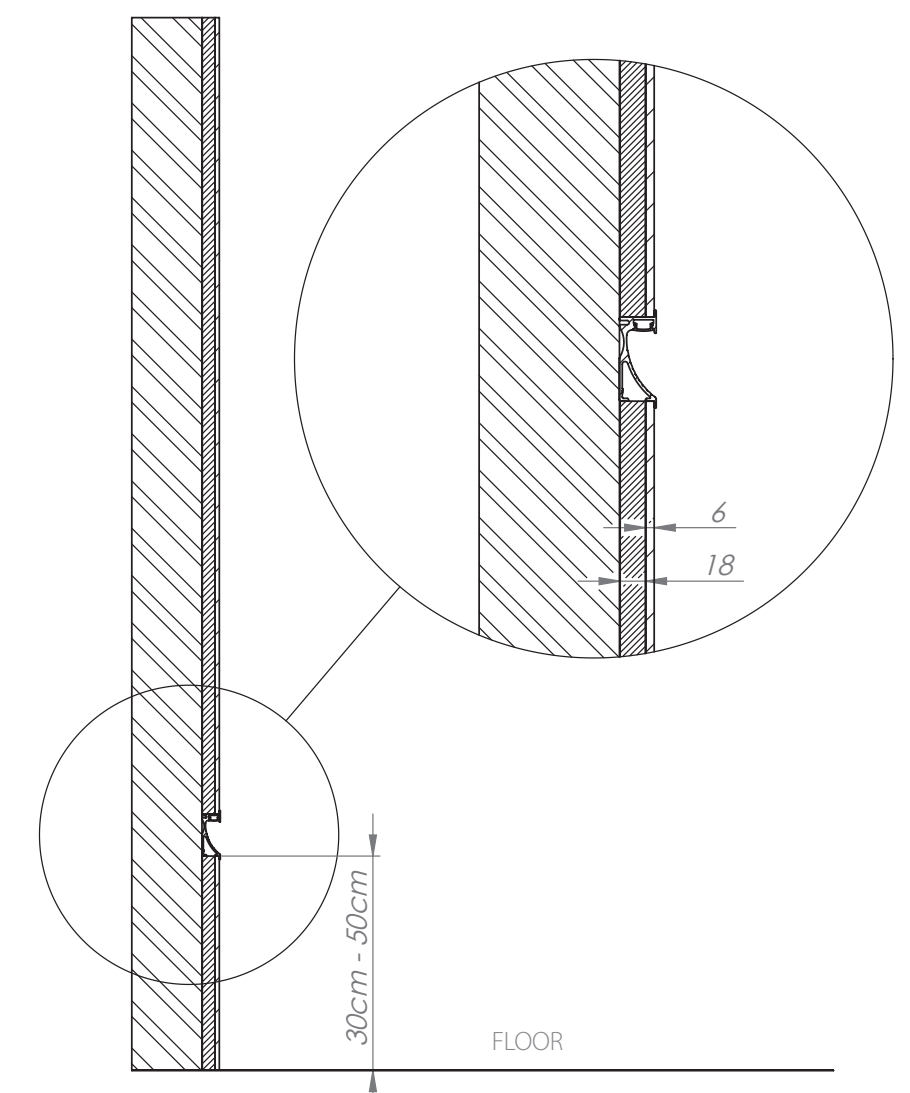
LP-EC-WLL

LP-EC-WLR



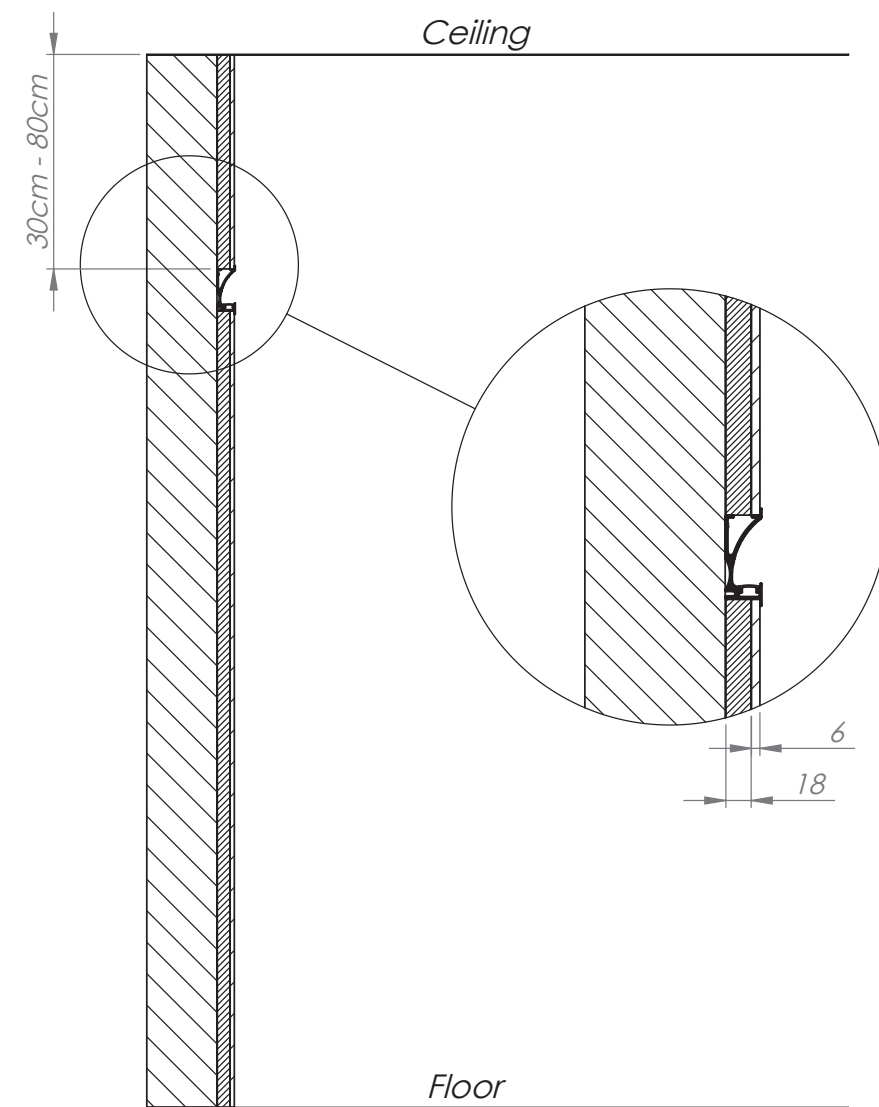
ALU-WALL INSTALLATION OPTIONS

INSTALATION OPTION No. 1



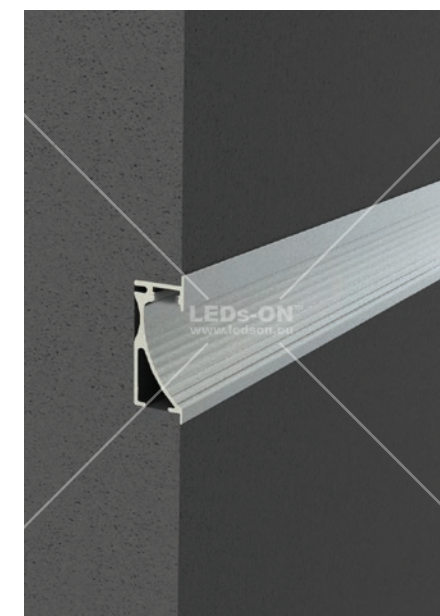
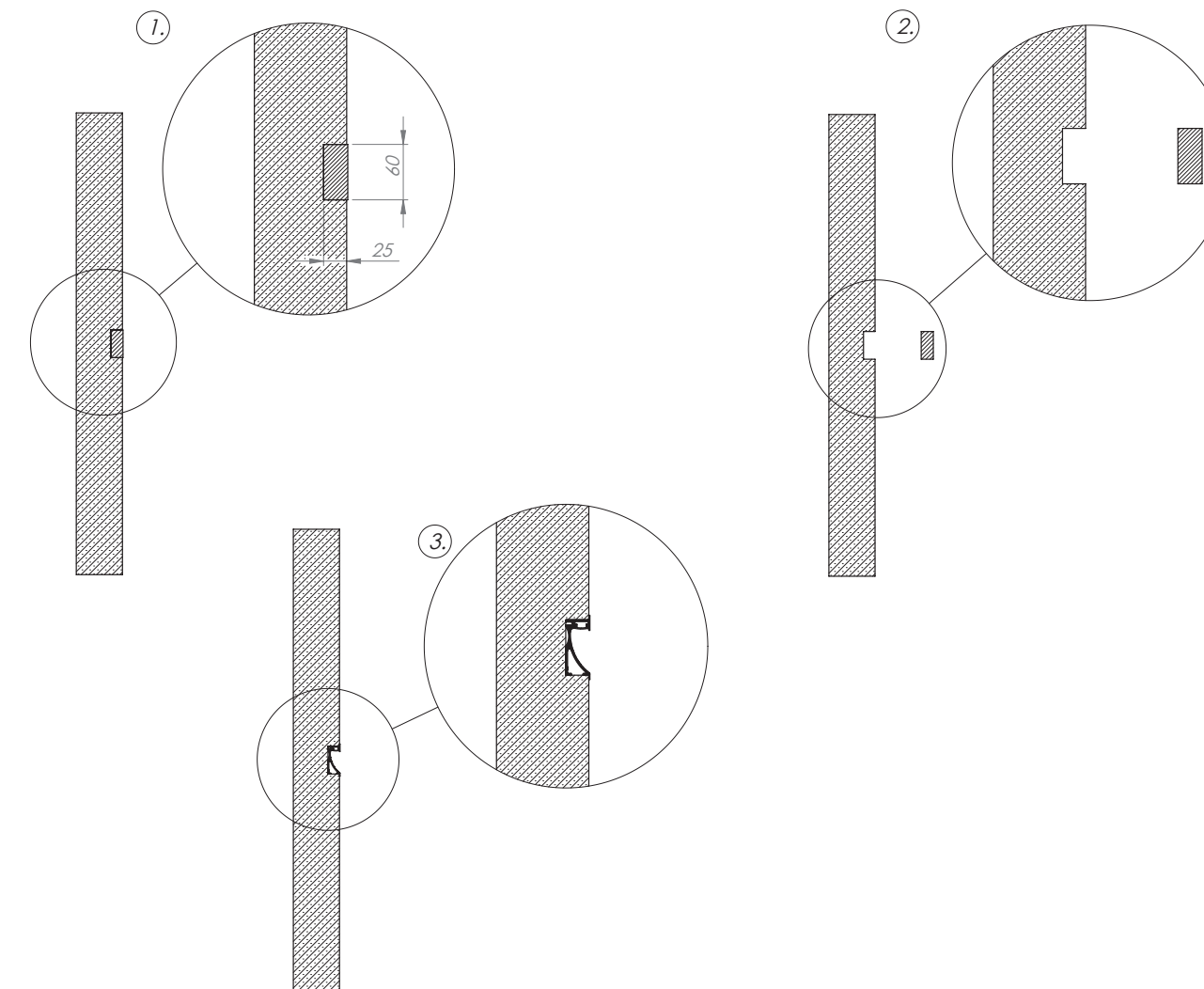
ALU-WALL INSTALLATION OPTIONS

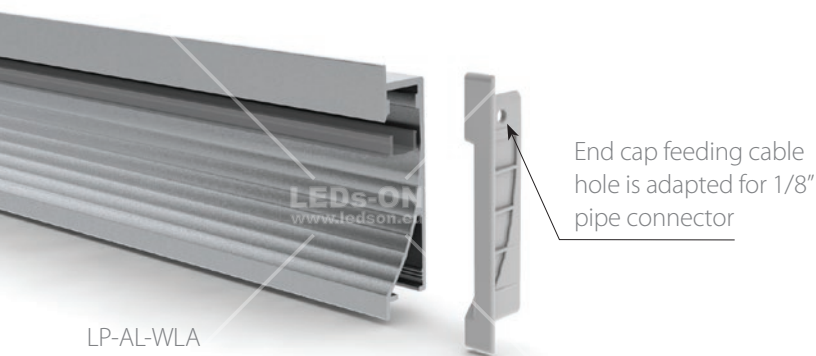
INSTALLATION OPTION No. 2



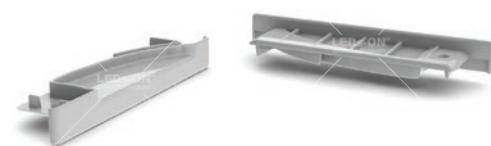
ALU-WALL INSTALLATION OPTIONS

INSTALLATION OPTION No. 3





LP-AL-WLA

LP-EC-WLA-R
end cap rightLP-EC-WLA-L
end cap left

ALU-WALL US LED PROFILE

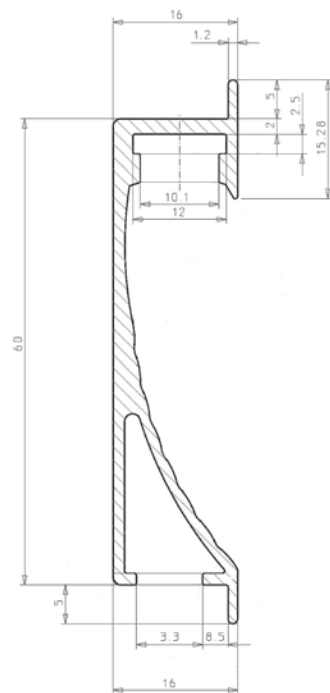
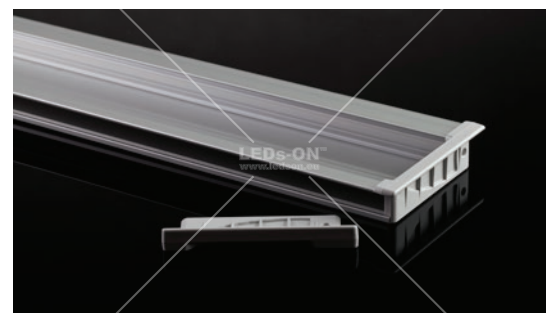
ALU-WALL US; 16 x 70mm

FUTURES:

- Floor LED lighting profile for wood structure walls to build-in
- High standard of anodizing aluminum surface
- High Quality UV resistant polycarbonate snap in diffuser
- Two different light diffusers to choice from, frosted or transparent.
- Minimalistic design
- Extra LED heat silk capability of the profile (up to 30W/m)
- Available on stock in anodized silver color
- Suitable for high power or low power LED stripes
- Possible length and anodizing color customizing at MOQ
- Available on stock with dedicated finish end caps
- Indoor and outdoor use (outdoor with IP67 leds)

APPLICATIONS:

- Floor LED lighting profile for wood structure walls to build-in (US,Canada)
- Floor hallways LED lighting profile
- Perfect for hotels hallways, restaurant, hospitals, underground
- Walkways LED lighting



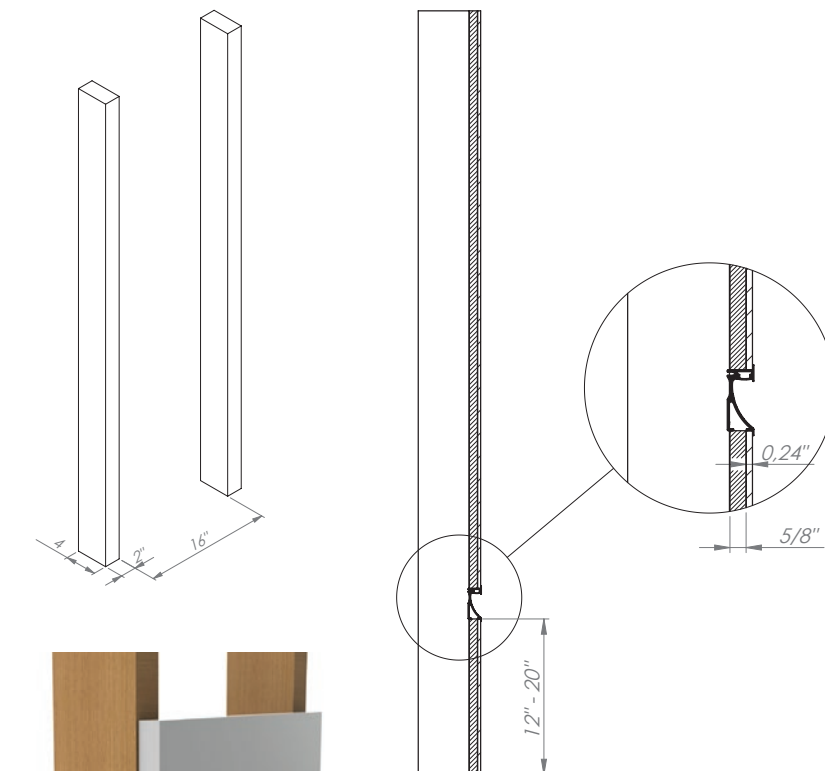
DESCRIPTION

Asymmetric, anodized aluminum LED profile which is dedicated for build-in into the wood structure walls and direct the LED light to the floor.

The thickness of the profile [16mm] is about the same as the standard wood plywood sheets used for wall construction at US or Canada. The profile itself is modification of the standard ALU-WALL profile and adaptation for different buildings, houses and walls construction structure at some places in the world. The other parameters and product functions are the same like for standard ALU-WALL LED profile.



ALU-WALL US INSTALATION OPTIONS



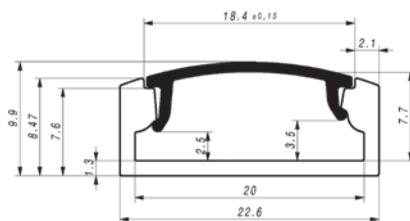


SLIM LINE WIDE 8mm

SLW8; 8 x 22,6mm

FUTURES:

- High standard of anodizing aluminum surface
- High Quality UV resistant polycarbonate snap in diffuser
- Two different light diffusers to choice from, frosted or transparent.
- Reduced light lost design
- Small dimensions only 8mm high
- Extra space inside the profile (20mm) for IP67 led ribbons, RGB or double row LED stripe
- Available on stock in anodized silver color
- Possible length and color customizing at MOQ
- Available with dedicated accessories such as end caps and mounting brackets
- Indoor use only, IP20



APPLICATIONS:

- Led lamps
- Retail store shelf LED lighting
- Kitchen cabinets LED lighting
- Exhibitions, hotels, restaurants LED lighting
- Interior design linear LED lighting



DESCRIPTION

Slim Line Wide 8mm, surface mount profile has been design and made for wider then standard (10/12mm) LED stripes.

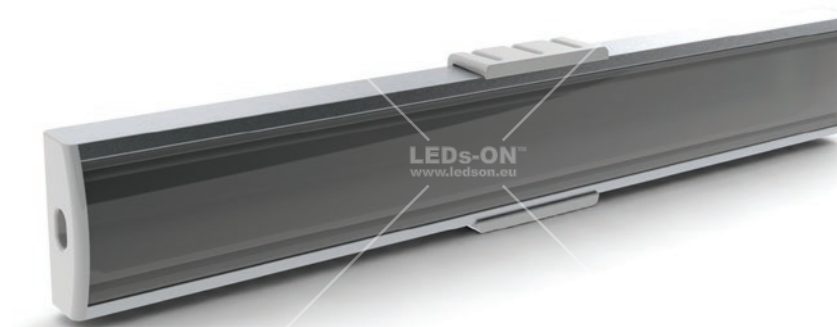
The wideness inside the profile is 20mm and can accommodate any type of the led stripes available on the market such as double row LED stripes, RGB strips, digital RGB ribbons or waterproof ribbons in single color or RGB version which do not fit into standard profile. The wide diffuser is not cutting down the angle of the LEDs and presents itself as the quality product. The profile it is available with two snap-in UV resistant diffusers, frosted and transparent. The larger amount of aluminum it is performing as the heat sink to the LEDs and also appears as the nice looking housing. The installation can be easily and professionally finish with available accessories such as end caps and mounting brackets.



LP-EC-SLW8

LP-AL-SLW8

LP-MC-SLW8





RECESSED SLIM LINE WIDE 8mm

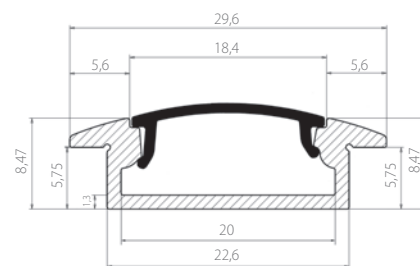
RSLW8; 8,47 x 29,6mm

FUTURES:

- High standard of anodizing aluminum surface
- High Quality UV resistant polycarbonate snap in diffuser
- Three different light diffusers to choice from, frosted, 50% frosted and transparent.
- Reduced light lost design
- Small dimensions only 8mm high
- Extra space inside the profile (20mm) for IP67 led ribbons, RGB or double row LED stripe
- Available on stock in anodized silver color
- Suitable for low power LED stripes
- Possible length and color customizing at MOQ
- Available with dedicated finish end caps
- Indoor use only, IP20

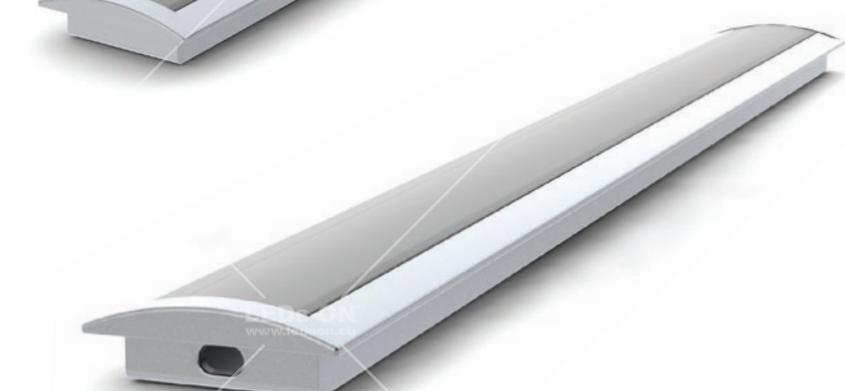
APPLICATIONS:

- Build-in type LED profile
- Retail store build-in shelf LED lighting
- Kitchen cabinets build-in LED lighting
- LED profile for floor, wall, ceiling build-in LED lighting
- Exhibition stands, hotels, restaurants LED lighting
- Interior design LED lighting



DESCRIPTION

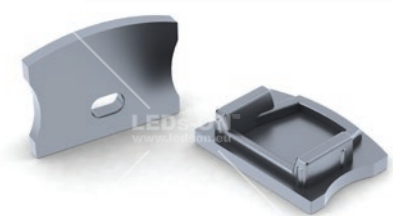
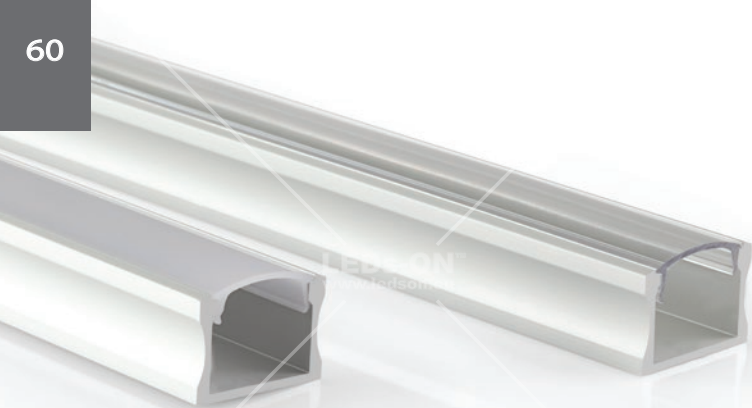
Recessed Slim Line Wide 8mm is the version of the LED profile for build-in into material. The profile can be recess into any kind of surface and the expending to the sides the profile "wings" covers the mill row completely. This type of profile is often use for build-in underneath kitchen cabinets led lighting, retail store shelf lighting. The profile itself is generally dedicated for wider then standard (10/12mm) LED stripes. The wideness inside the profile is 20mm and can accommodate any type of the led stripes available on the market such as double row LED stripes, RGB strips, digital RGB ribbons or waterproof ribbons in single color or RGB version which do not fit into standard profile. The wide diffuser is not cutting down the angle of the LEDs and presents itself as the quality product. The profile it is available with two snap-in UV resistant diffusers, frosted and transparent. The larger amount of aluminum it is performing as the heat sink to the LEDs and also appears as the nice looking housing. The installation can be easily and professionally finish with available accessories such as aluminum end caps.



LP-EC-RSLW8

LP-AL-RSLW8

LP-EC-RSLW8



EC-SLW15



LP-MC-SLW15

SLIM LINE WIDE 15mm

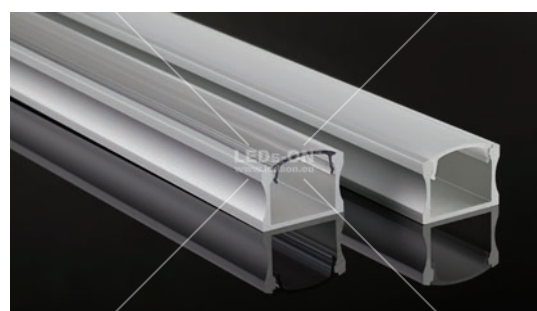
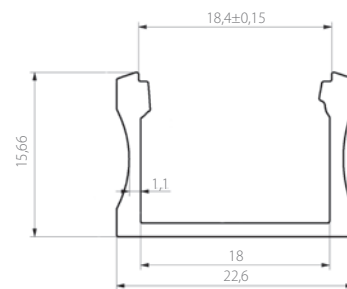
SLW15; 15 x 22,6mm

FUTURES:

- High standard of anodizing aluminum surface
- High Quality UV resistant polycarbonate snap in diffuser
- Two different light diffusers to choice from, frosted (LEDs dots free) and transparent
- LEDs dots free diffuser (frosted diffuser)
- Small dimensions only 15mm high
- Extra space inside the profile (18mm) for IP67 led ribbons, RGB or double row LED stripe
- Available on stock in anodized silver color
- Suitable for high power LED stripes up to 30W/m
- Possible length customizing at MOQ
- Available with dedicated finish end caps and mounting bracket
- Indoor use only, IP20

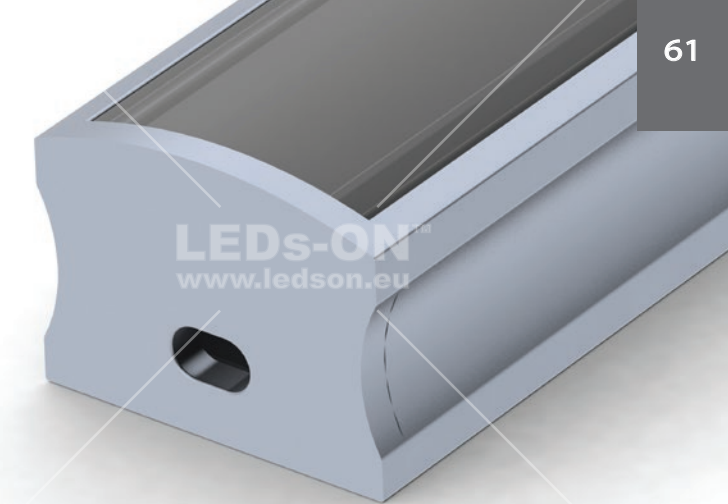
APPLICATIONS:

- Led lamps
- Retail store shelf LED lighting
- Kitchen cabinets LED lighting
- Exhibitions, hotels, restaurants LED lighting
- Interior design linear LED lighting



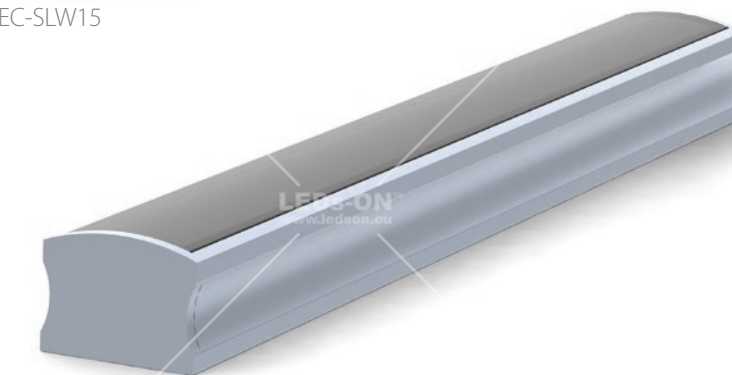
DESCRIPTION

Slim Line Wide 15mm surface mount profile is "LEDs DOTS FREE" design which deliver nice soft and smooth light diffusion on the whole surface of the diffuser. In principles of the design it has been made for wider than standard (10/12mm) LED stripes. The wideness inside the profile is 18mm and can accommodate any type of the LED stripes available on the market such as double row LED stripes, RGB strips, digital RGB ribbons or waterproof ribbons in single color or RGB version which wideness is bigger than 12mm and do not fit into standard profiles. The wide diffuser is not cutting down the angle of the LEDs that and presents itself with the aluminum body as the quality product. The profile it is available with two snap-in UV resistant diffusers, frosted and transparent. The larger amount of aluminum it is performing as the heat sink to the LEDs and also appears as the nice looking housing. The available accessories for SLW15 LED profile such as end caps and mounting brackets helps professionally finish the installation.



LP-AL-SLW15

EC-SLW15



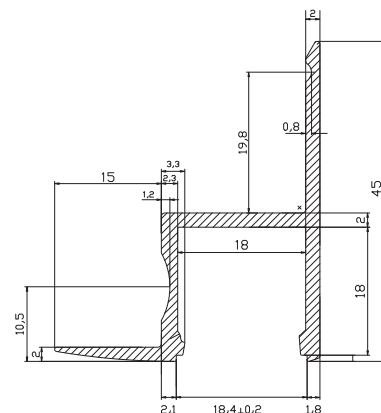


ALU-CEILING LED PROFILE

ALU-CEILING; 35 x 45mm

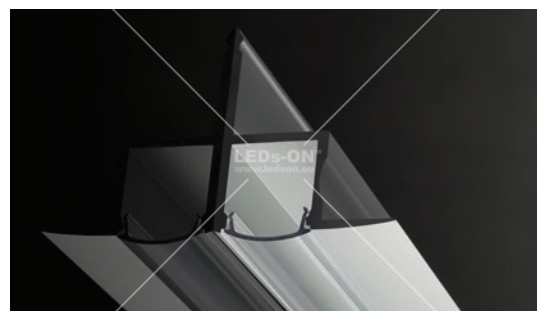
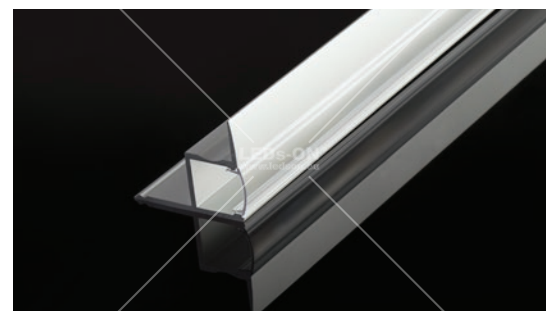
FUTURES:

- Recessed type wall wash LED profiles
- High Quality UV resistant polycarbonate snap in diffuser
- Two different light diffusers to choice from, frosted (LEDs dots free) and transparent.
- LEDs DOTS FREE design (frosted diffuser)
- Extra space inside the LED profile for wide LED stripes up to 18mm
- Recess design for build into gypsum ceiling
- Suitable for standard or high power LED stripes up to 30W/m
- Available on stock in anodized silver color
- Possible length and color customizing at MOQ
- Available on stock with dedicated end caps
- Indoor use only, IP20



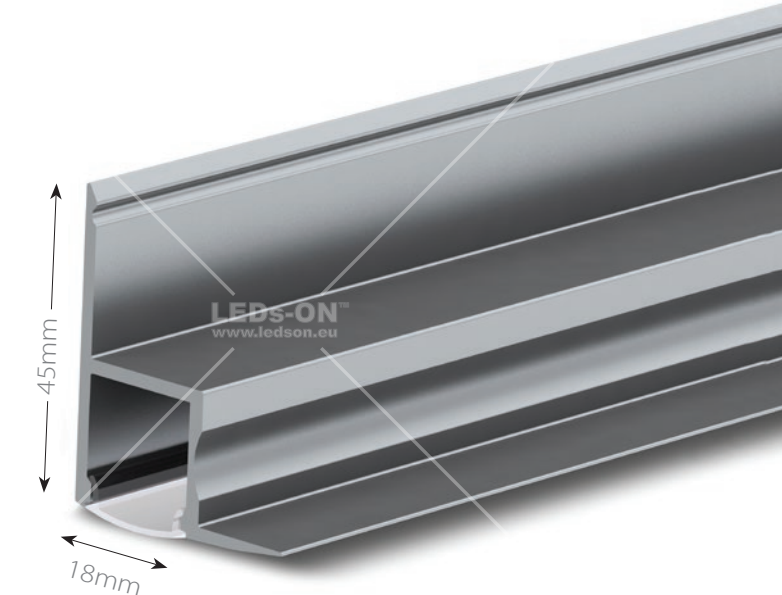
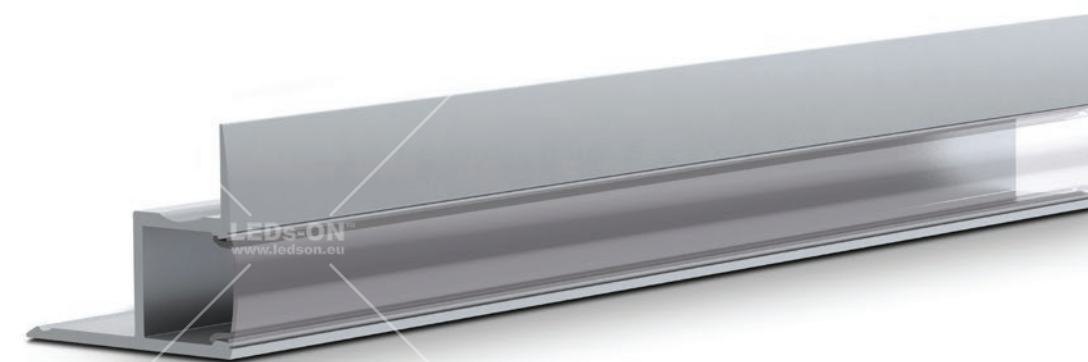
APPLICATIONS:

- Main ceiling LED lighting
- Retail store ceiling LED lighting
- Hotels hallways LED lighting
- Exhibitions, hotels, restaurants ceiling LED lighting

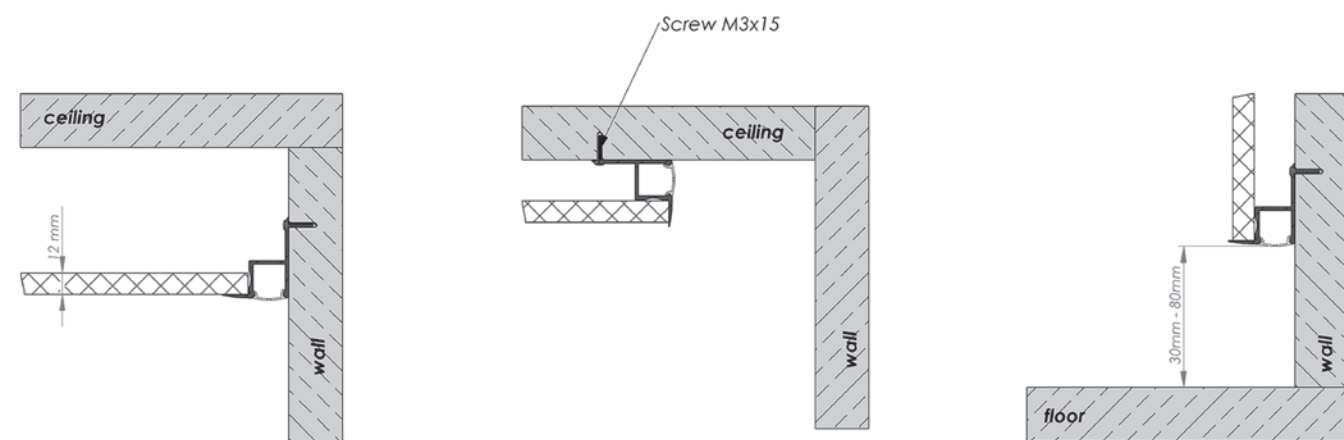


DESCRIPTION

It is Quality anodized aluminum LED profile for build-in into the gypsum ceiling. The profile with the LEDs builds-in between the ceiling and the wall will emit the light directed straight down from the top of the wall/ceiling to the floor, washing up the next to wall with light. Another possible and often use installation for this profile is the installation between the wall and direct lighting of the floor, construction frame of the not build wall. The installation options has been clearly explained in the PDF catalogue. ALU-CEILING is coming with choice of high quality frosted ("LEDs DOTS FREE") or transparent snap-in diffuser and finish end caps. The snap-in diffuser is made from UV resistant material. The profile can accommodate standard or mid power led stripes up to 18mm of the wideness. The aluminum profile is performing as the heat sink to the LEDs and also presents itself as nice, stylish housing where all components are matching and are high quality.



ALU-CEILING INSTALLATION OPTIONS



POWER LINE SLIM 30mm

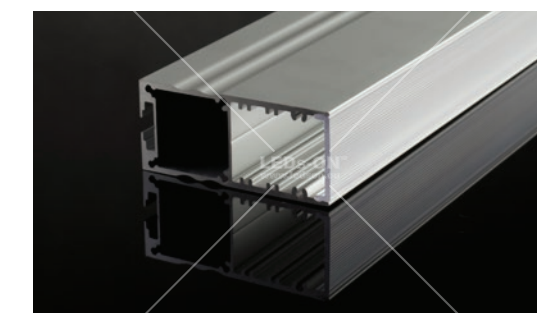
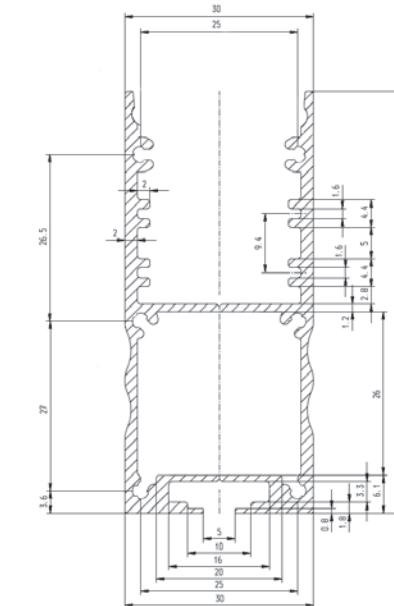
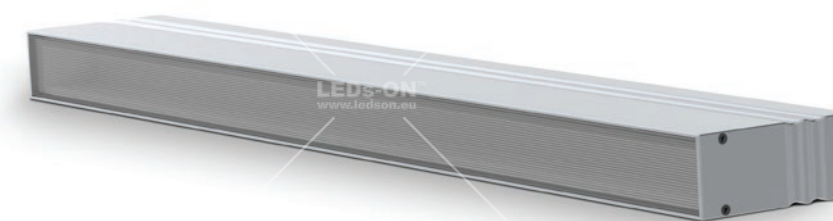
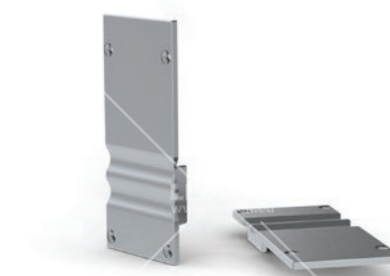
PLS30; 30 x 65mm

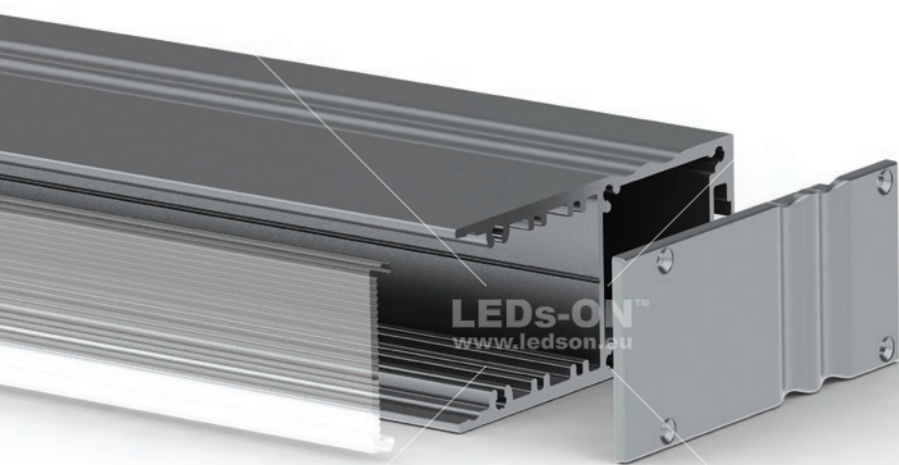
FUTURES:

- High Quality specially treated anodizing aluminum surface
- High Quality UV resistant polycarbonate snap in diffuser, 30mm wide
- Two different light diffusers to choice from, frosted (LEDs DOTs FREE) and transparent.
- LEDs DOTs FREE design (frosted diffuser)
- Contemporary design which can be suspended from the ceiling or surface installed
- Excellent heat sink to the high power LEDs
- Suitable for standard or high power LED stripes up to 30W/m
- Separate chamber to hide LED power supplier, cables
- Available on stock in anodized silver color free of any extrusion marks
- Possible length and anodizing color customize at MOQ
- Available on stock with dedicated aluminum end caps
- Indoor use only, IP20

APPLICATIONS:

- LED lamp component
- Retail store main ceiling LED lighting
- Suspended LED lighting lamp
- Exhibitions, hotels, restaurants main LED lighting
- Decorative linear LED lightingn hospitals, underground
- Walkways LED lighting





LP-AL-PLS

LP-EC-PLS
(aluminum end cap)

DESCRIPTION

The POWER LINE SLIM 30mm profile is high Quality anodizing aluminum LED profile with "LEDs DOTS FREE" frosted diffuser. The profile has been designed to work as independent suspended or surface mounting LED profile prepared for future installation of high power LEDs [up to 30W/m]. Massive aluminum weight [1,1kg/m] and dimensions provides excellent thermal heat sink to the LEDs and also presents itself as the nice, stylish and professionally looking housing. The profile it is able to handle and maintain stable temperature [45/50°] at long period of time the in load up to 30W/m. The anodizing surface of the profile is specially treated to be free of any micro screeches or extrusion process flows marks. The profile is coming with choice of two high Quality UV resistant, snap-in diffusers in frosted and transparent. The free space chamber can be use for hiding the power supplier and cables. LED profile is available related accessories such as color matching aluminum end caps which helps professionally finish the profile.



RECESSED POWER LINE SLIM 30mm

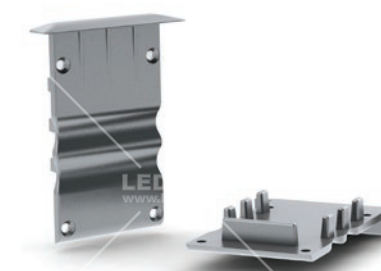
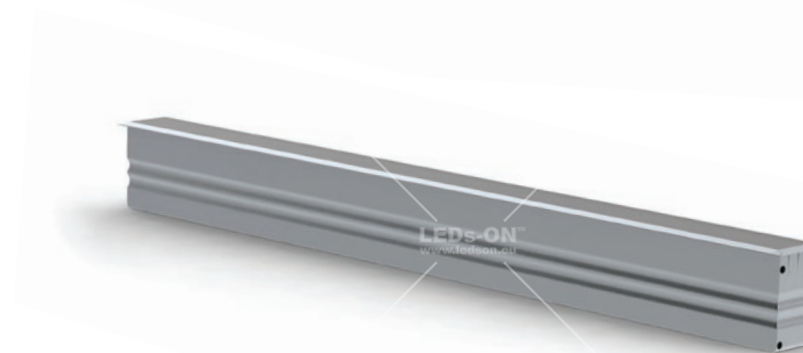
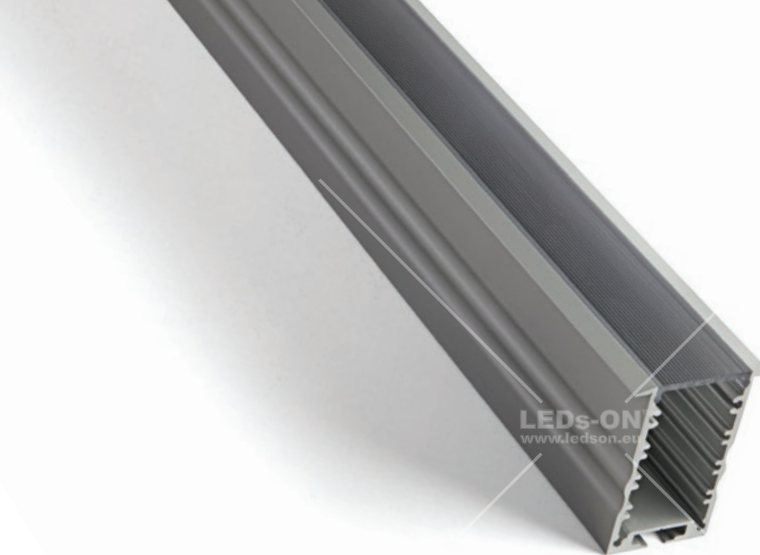
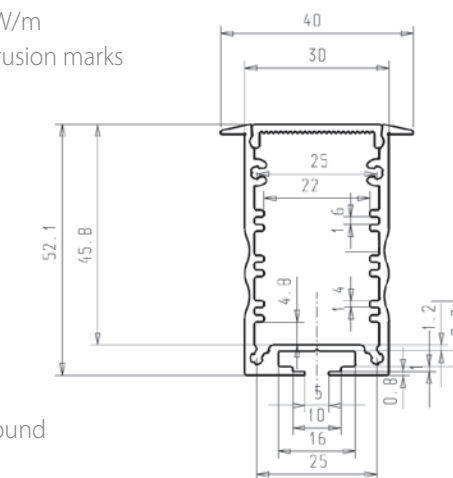
RPLS30; 30 x 65mm

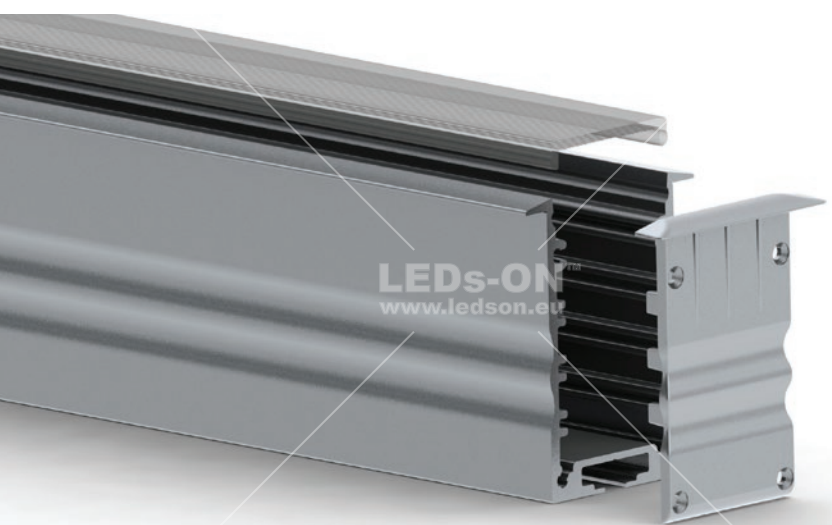
FUTURES:

- Recessed type gypsum ceiling build-in LED profile with 30mm wide diffuser
- High Quality specially treated anodizing aluminum surface
- High Quality UV resistant polycarbonate snap in 30mm wide diffuser
- Two different light diffusers to choice from: frosted (LEDs DOTs FREE) and transparent
- LEDs DOTs FREE design (frosted diffuser)
- Recess design for build into gypsum ceiling
- Excellent heat sink to the high power LEDs
- Suitable for standard or high power LED stripes up to 30W/m
- Available on stock in anodized silver color free of any extrusion marks
- Possible length and anodizing color customize at MOQ
- Available on stock with dedicated aluminum end caps
- Indoor use only, IP20

APPLICATIONS:

- Main ceiling LED lighting
- Retail store ceiling LED lighting
- Hotels hallways ceiling LED lighting
- Exhibitions, hotels, restaurants ceiling LED lighting
- Decorative linear ceiling LED lighting hospitals, underground
- Walkways LED lighting

LP-EC-RPLS
(aluminum end caps)



LP-AL-RPLS

LP-EC-RPLS
(aluminum end caps)

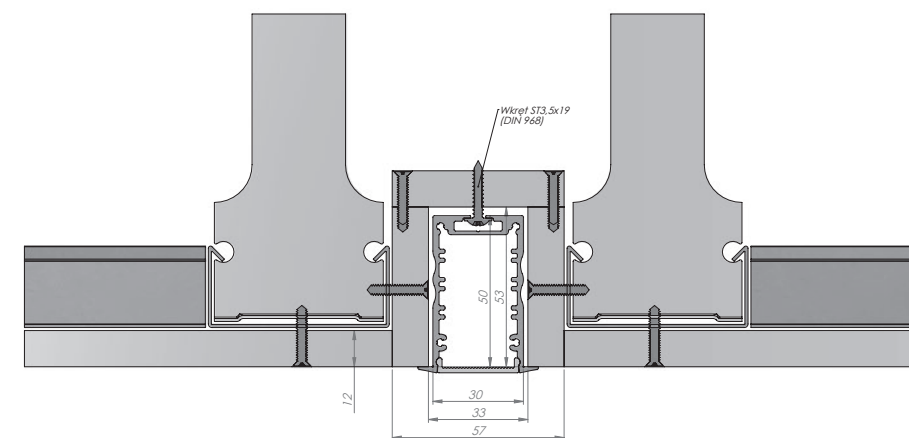
DESCRIPTION

This is recessed type 30mm wide, "LEDs DOTS FREE" anodized aluminum LED profile which is dedicated for build-in into suspended gypsum ceiling to work as the main LED lighting fixture. This type of profile is often use for build-in into the gypsum ceilings at the offices, show rooms, restaurants, hotels and shops. It is made from anodized aluminum and is dedicated for high power LEDs [up to 30W/m]. Large aluminum weight [0,9kg/m] provides excellent thermal heat sink to the LEDs and also presents itself as the nice, stylish and professionally looking housing. The profile it is able to handle and maintain stable temperature [50/55°] at long period of time the in load up to 30W/m. The anodizing surface of this profile is specially treated to be free of any micro screeches or extrusion process flows marks. The profile is coming with choice of two high Quality UV resistant, snap-in diffusers in frosted "LEDs DOTS FREE" and transparent. The available accessories such as color matching aluminum end caps helps professionally finish the profile. Installation options are fully explained in the PDF catalogue.

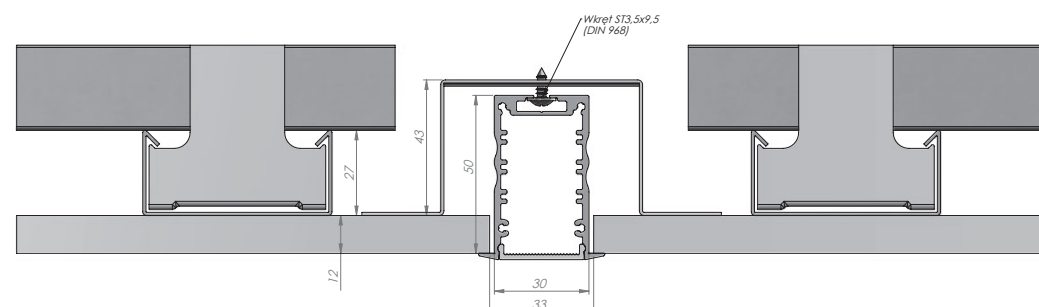


RPLS30 INSTALATION OPTIONS

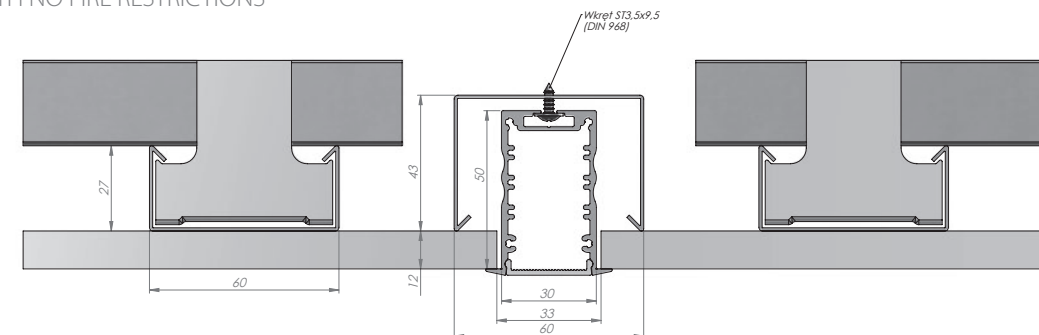
WITH FIRE RESTRICTIONS



WITH NO FIRE RESTRICTIONS



WITH NO FIRE RESTRICTIONS



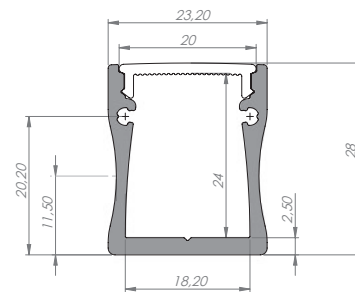


SLIM LINE WIDE 20 mm

SLW20; 23,2 x 27,7mm

ON STOCK

Architectural Design of minimalistic LED profile dedicated for wide LED stripes up to 18mm of wideness. The profile presents itself not the ordinary design which brings the additional value to the Architectural design at the end. Little bitt bigger dimensions allow to place it higher and it will be still visible from the distance, where other profiles from the same perspective of view may look small. The extraordinary anodizing surface quality, dedicated aluminum end caps and LEDs DOTs FREE frosted diffuser make this profile very attractive to work with. Increased amount of aluminum provide excellent cooling for all kinds of LED stripes including high power. The profile is able to maintain stable the temperature at load up to 25W/m. The SLW20 is coming witch choice of two high quality UV resistant, snap-in diffusers (frosted and transparent) as well as related accessories such as aluminum end caps and mounting clip.

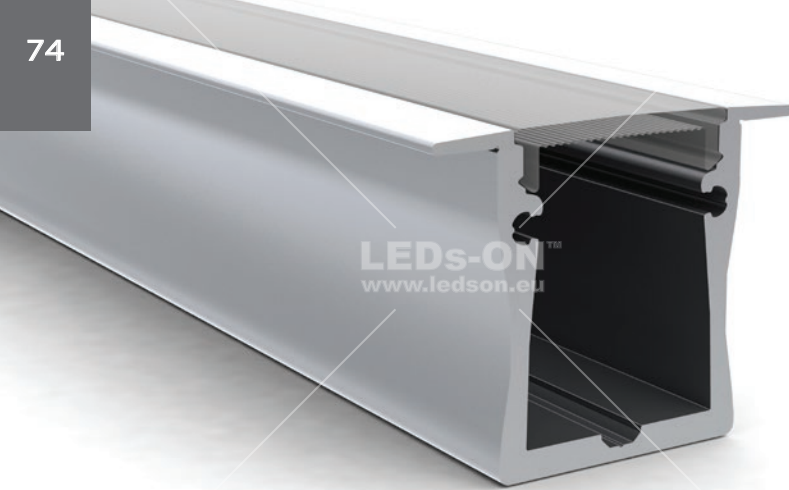


LP-EC-SLW20



LP-AL-SLW20

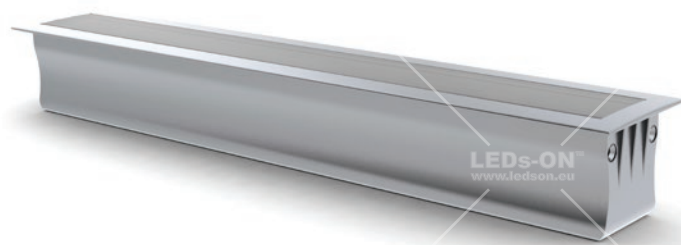
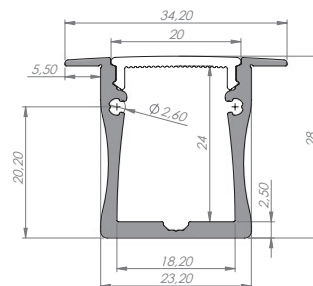




RECESSED SLIM LINE WIDE 20 mm

RSLW 20; 34,2 x 27,7mm **ON STOCK**

Recess type of the Architectural design of minimalistic LED profile dedicated for wide LED stripes up to 18mm of wideness. The profile is dedicated for the insertion into the gypsum ceiling or other material as walls, store shelves or wood furniture. The little bitt bigger dimensions of the RSLW20 profile allow to place it higher and it will be still visible from the distance, where other profiles from the same perspective of view may look small. The extraordinary anodizing surface quality, dedicated aluminum end caps and LEDs DOTs FREE frosted diffuser make this profile very attractive to work with. Increased amount of aluminum provide excellent cooling for all kinds of LED stripes including high power. The profile is able to maintain stable the temperature at load up to 25W/m. The SLW20 is coming witch choice of two high quality UV resistant, snap-in diffusers (frosted and transparent) as well as related accessories such as aluminum end caps.



LP-AL-RSLW20



LP-EC-RSLW20

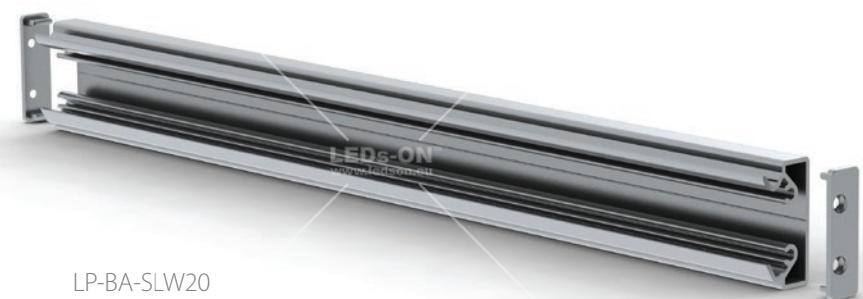
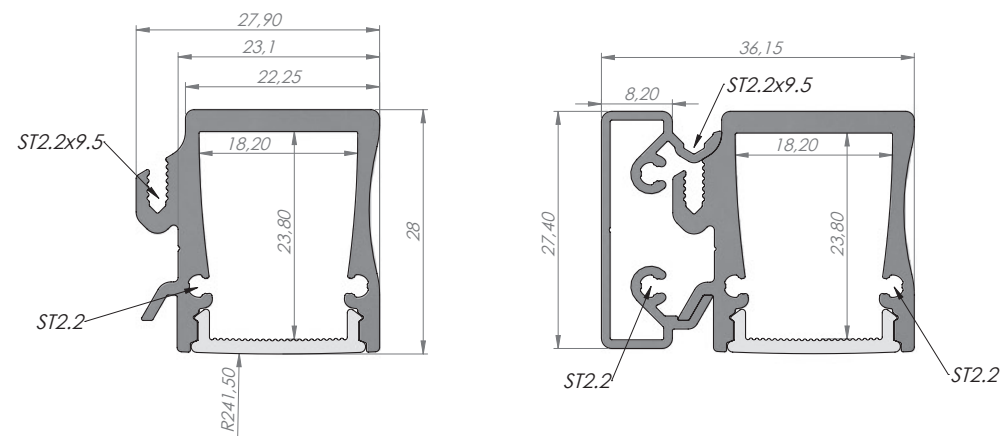


SLW20B WALL INSTALLED LED PROFILE

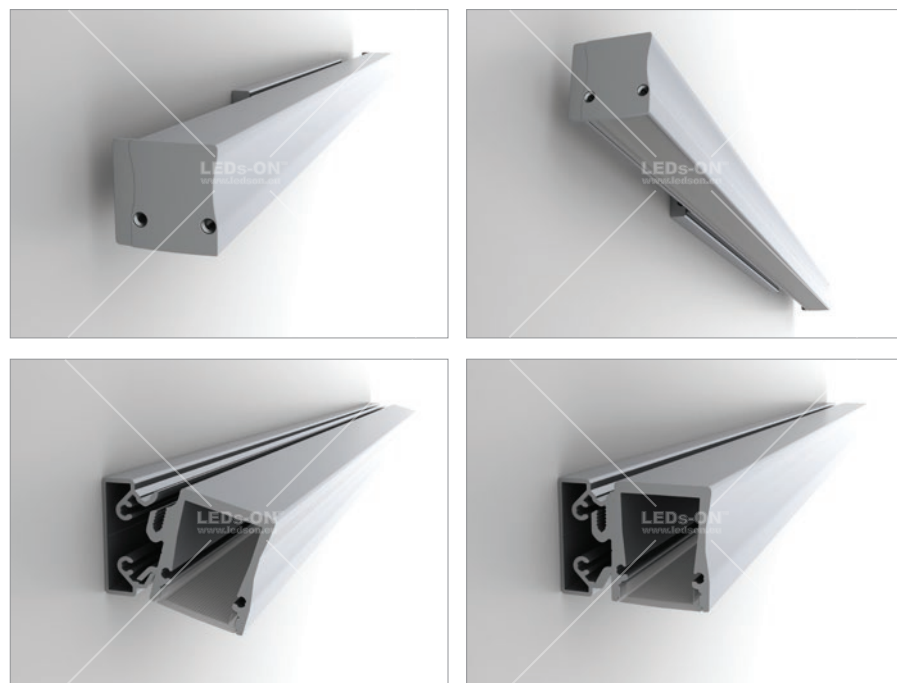
SLW20B 27,4 x 36,15mm with the side wall mounting base

FUTURES:

- Aluminum Base for the wall installed profiles
- Universal base compatible for three wall profiles
- High quality anodizing surface
- Matching design with the lighting profiles



LP-EC-BA-H2

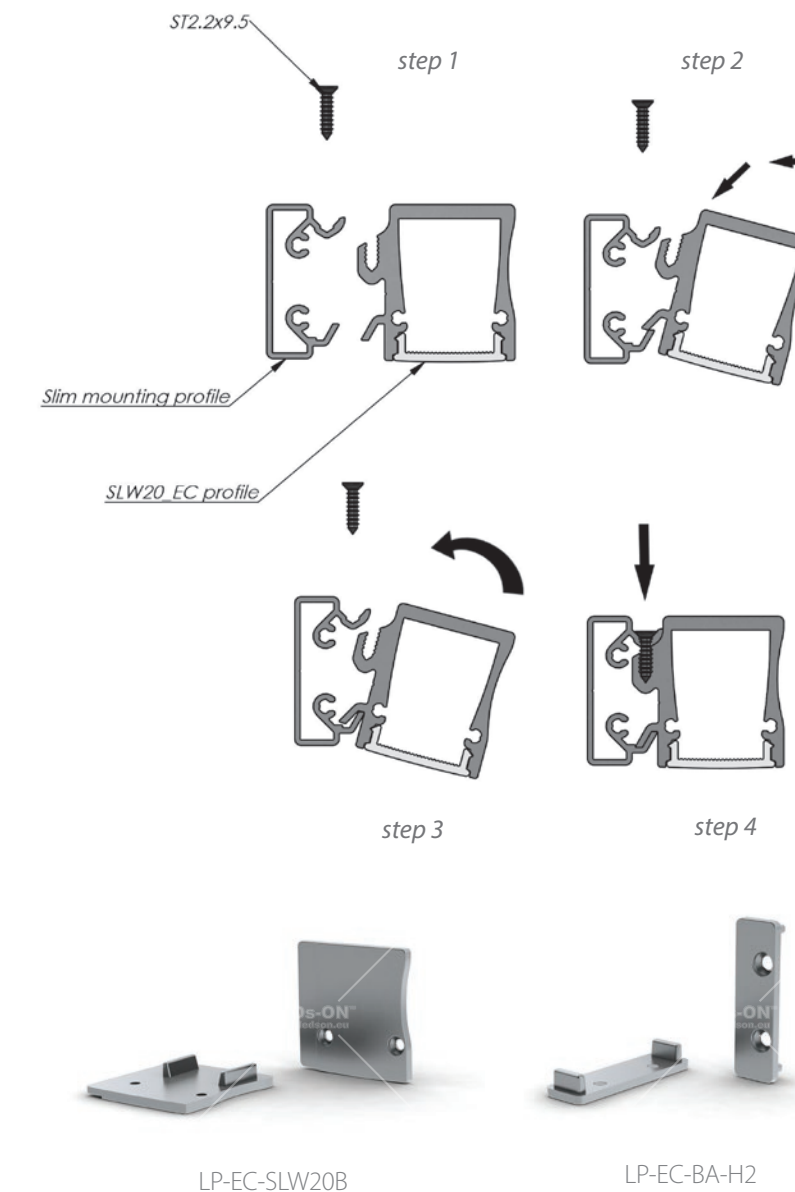


DESCRIPTION

It is modification of the standard SLW20 profile, the profile now is modified to be installed side ways to the mounting base and the wall with the light directed down. Relatively small dimension make this wall lamp looks distinguish and small. Clean minimalistic design expand the list of possible application. The profile provide great heat sink to the LEDs and can contain led stripes up to 18mm wide. Extraordinary quality of the aluminum anodizing surface, UV resistant light diffuser completely "LEDs DOTS FREE" make it the quality product. Lighting profile comes with the choice of two diffusers, frosted and transparent. The profile and base are finish with the aluminum end caps. The base and the lighting profile SLW20B are sale separately.



SLW20 EXTRA CLIP MOUNT

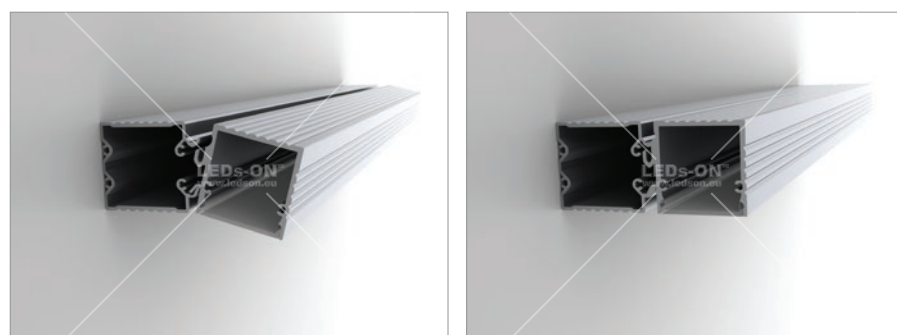
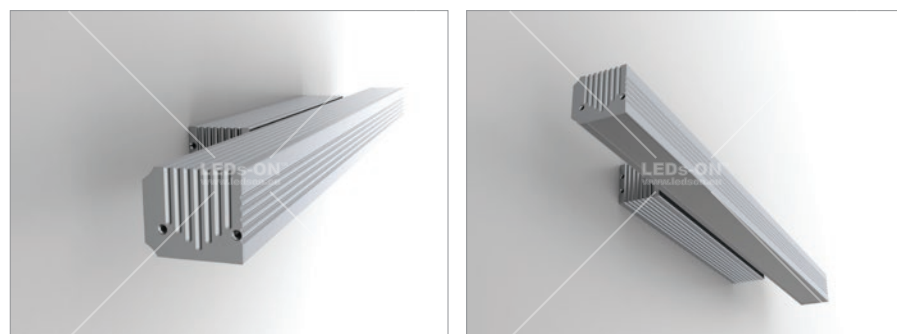
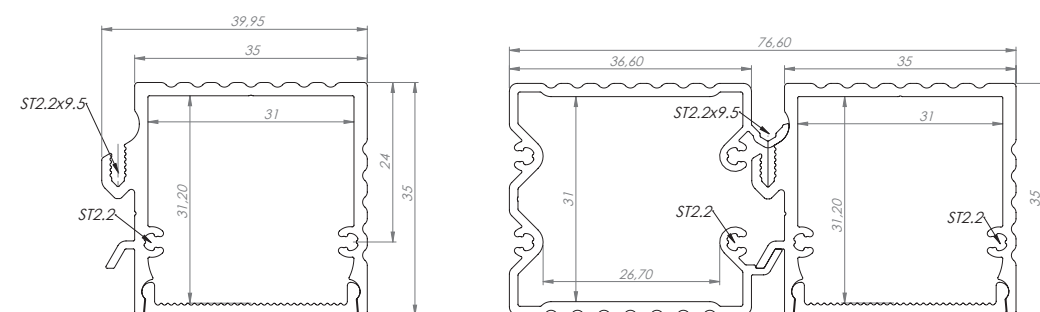


PL35 ONE SIDE LIGHT OUTPUT

PL35S 76,6mm x 35mm with the power supplying hiding base

FUTURES:

- Single light output Wall LED lamp with hiding base for power supply
- Modern design with all matching components
- High standard of the aluminum anodizing surface
- Snap in LEDs DOTs FREE frosted diffuser
- High power heat dissipation capability up to 30W/m
- Firm connection of the base with the wall and base with the profile
- Aluminum end caps

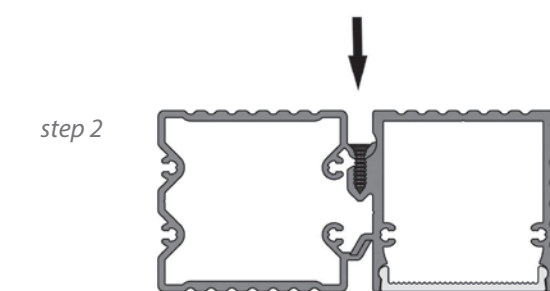
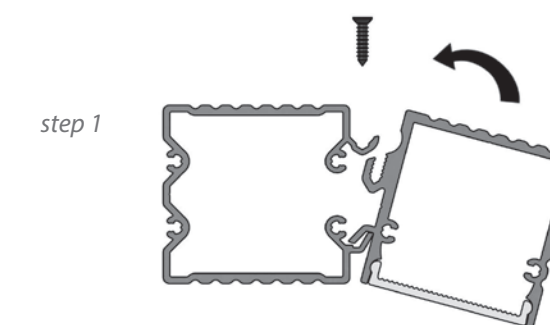


DESCRIPTION

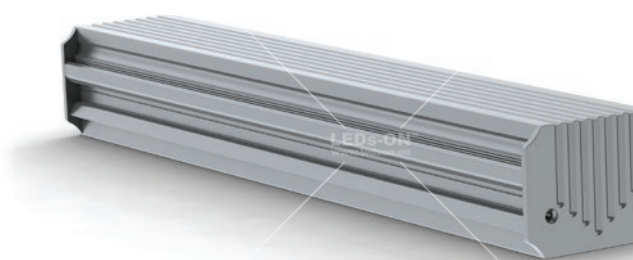
This is wall installed LED profile with light directed down. It is modification of our popular Power Line 35 profile. The design, diffuser remain the same like at the PL35 profile. The PL35 one side light down was equipped with the hiding base for the power supplier. Hiding base is matching the profile design, is made from the aluminum and screw it directly with to surface. Base is connected mechanically with the lighting profile by a few self threat screws ST2,2x9,5mm. Additionally the base and lighting profile is coming with the aluminum end caps holds by two screws ST2,2mm. The profile and the base is sale separately as well as the end caps. The profile is dedicated mostly for the high power LED lighting with the possible load up to 30W/m.



PL35_SINGLE WALL LED LAMP MOUNT



LP-BA-PL35S-M2/K2 LP-AL-PL35S-M2/K2



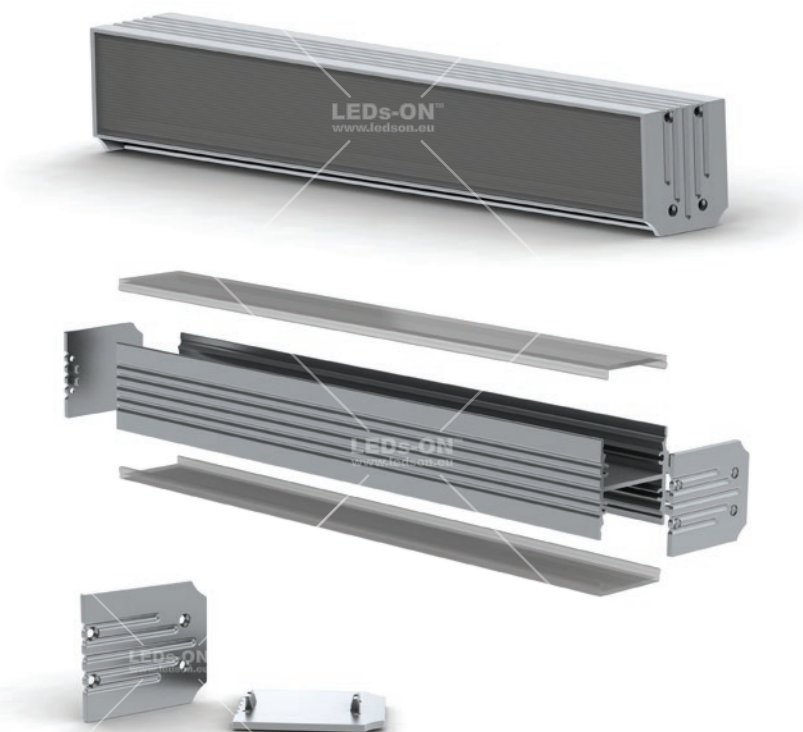
PL35 TWO SIDE LIGHT OUTPUT

PL35D 76,6mm x 35mm with the power supplying hiding base

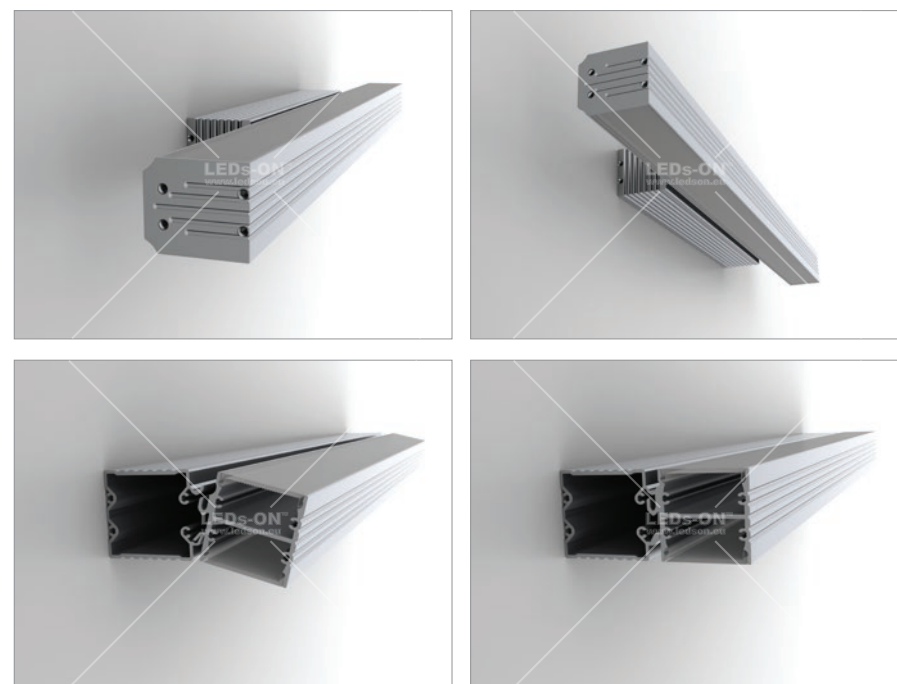
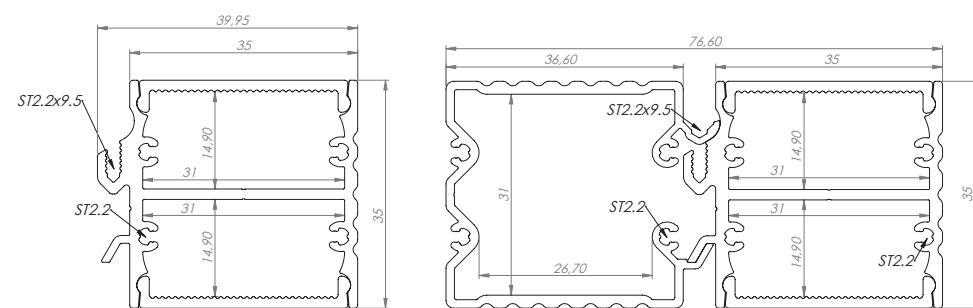
FUTURES:

- Two ways light output of the Wall LED lamp with hiding base for power supply
- Modern design with all matching components
- High standard of the aluminum anodizing surface
- Sanp in frosted UV resistant diffuser
- High power heat dissipation capability up to 30W/m
- Firm connection of the base with the wall and base with the profile
- Aluminum end caps

LP-AL-PL35D-M2/K2



LP-EC-PL35D- H1

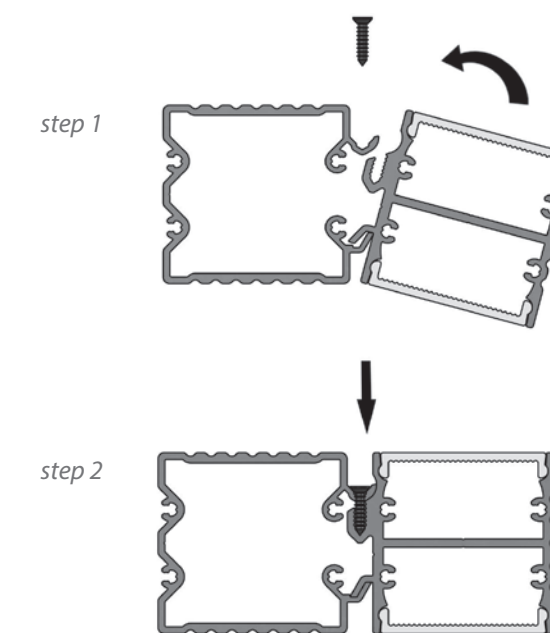


DESCRIPTION

This is wall installed LED profile with light directed up and down. It is modification of our popular Power Line 35 profile. The design, diffusers remain the same like at the PL35 profile. The PL35 two side light up and down was equipped with the hiding base for the power supplier. Hiding base is matching the profile design, is made from the aluminum and screw it directly to the surface. Base is connected mechanically with the lighting profile by a few self threat screws ST2,2x9,5mm. Additionally the base and lighting profile is coming with the aluminum, end caps holds by two screws ST2,2mm. The profile and the base is sale separately as well as the end caps. The profile is dedicated mostly for the high power LED lighting with the possible load up to 30W/m.



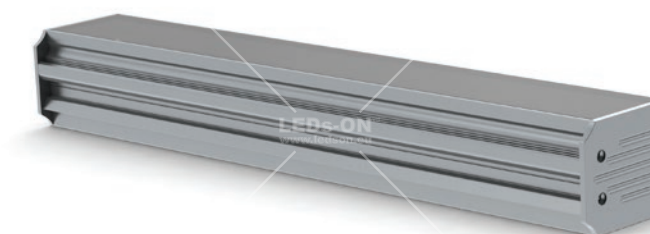
PL35_DOUBLE WALL LED LAMP MOUNT



step 1

step 2

LP-BA-PL35D-M2/K2 LP-AL-PL35D-M2/K2



LP-AL-PL35D-M2/K2



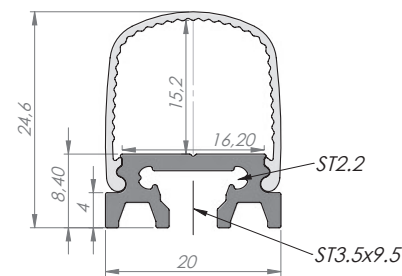
LP-AL-SQ-M2/M1

ALU-SQUARE LED PROFILE

ALU-SQUARE 24,6 x 20mm with round shaped diffuser

FUTURES:

- High standard of the aluminum anodizing surface
- High quality, snap in, UV resistant diffuser
- LEDs DOTs FREE design (frosted diffuser)
- Suitable for led stripes up to 16mm of wideness.
- Direct installation with the surface by ST3,5x9,5mm screws
- Aluminum end caps

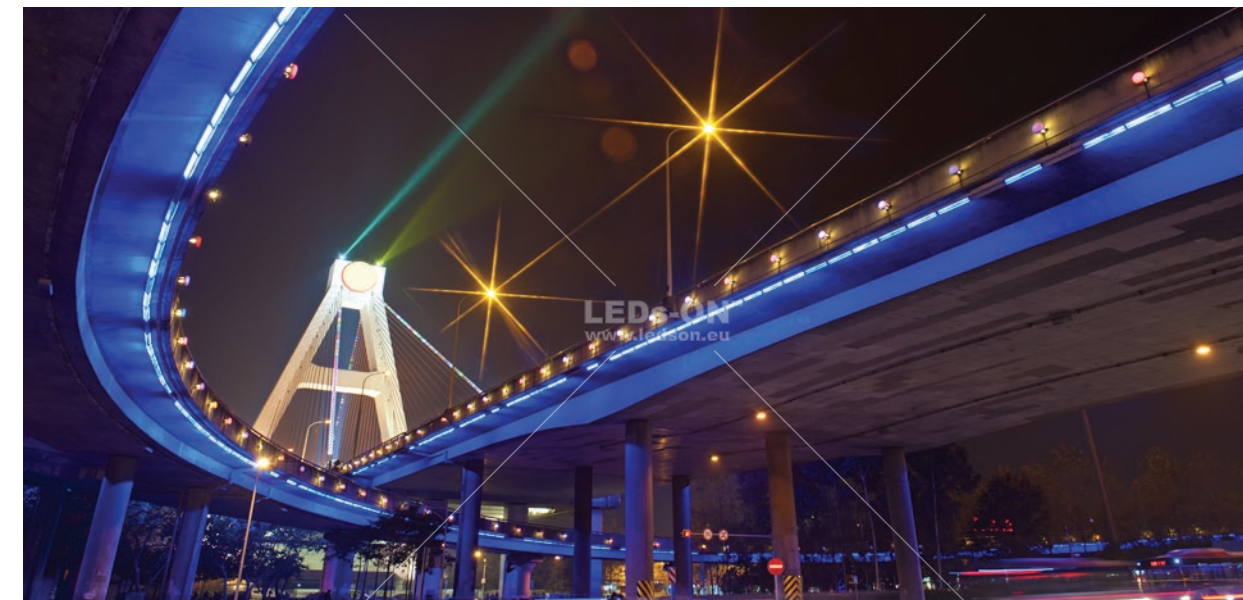


LP-EC-SQ-H1

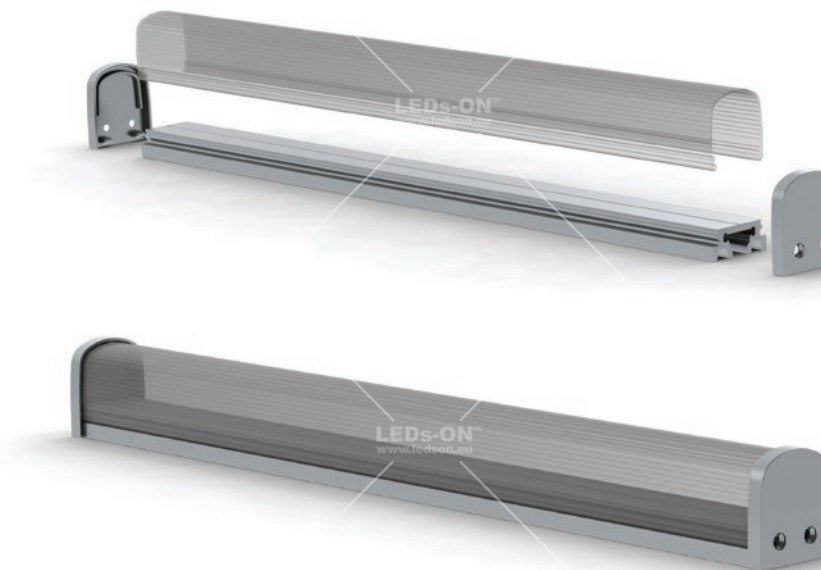
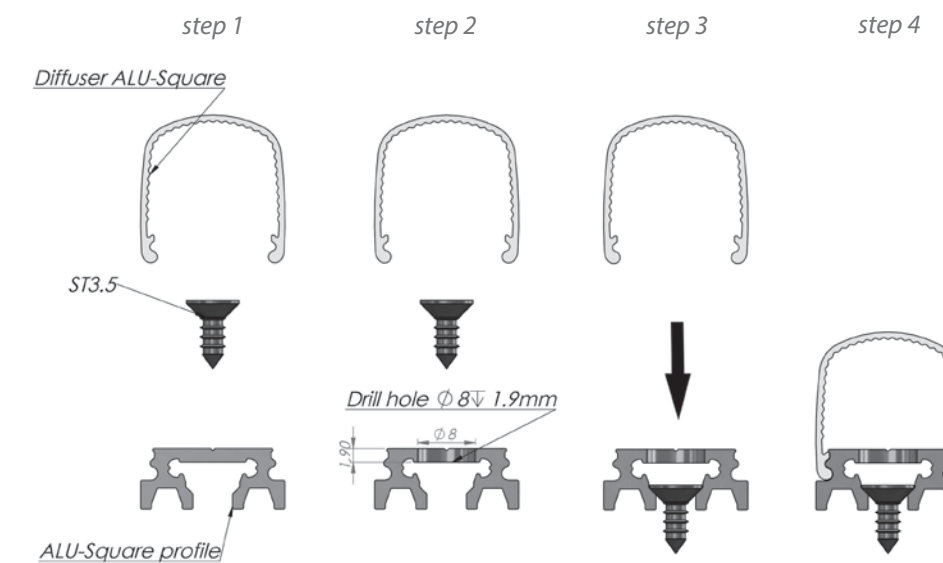


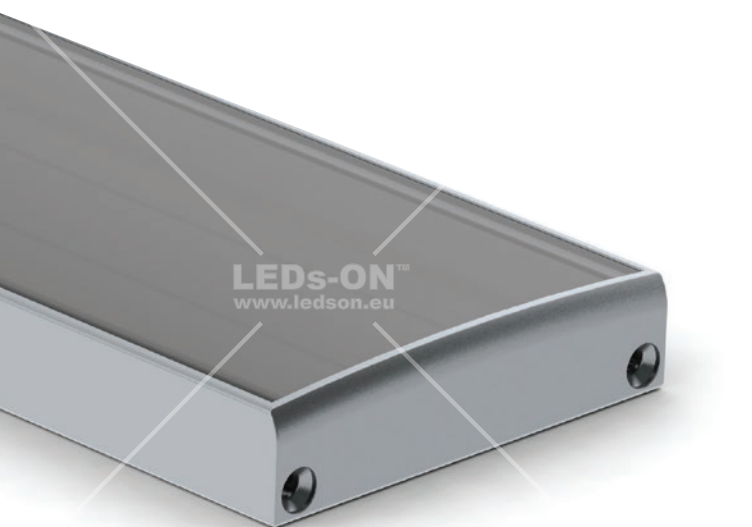
DESCRIPTION

Three side light emitting, snap in, round shaped diffuser with delicate ruffles under need the surface. The profile is completely "LEDs DOTs FREE" and comes with frosted, UV resistant diffuser only. The profile deliver soft diffused light, can accommodate the standard led stripes mid power up to 16mm of wideness. The right selected aluminum alloy body is performing as the heat sink to the LEDs delivering proper cooling. The profile is dedicated for surface installation by the standard ST3,5mm self threat screw. The Alu-Sqere is finish by the dedicated aluminum end caps installed by the two screws on the side. All together nice diffuser, quality aluminum base and aluminum end caps bring the quality and the professional look.



ALU SQUARE PROFILE MOUNT





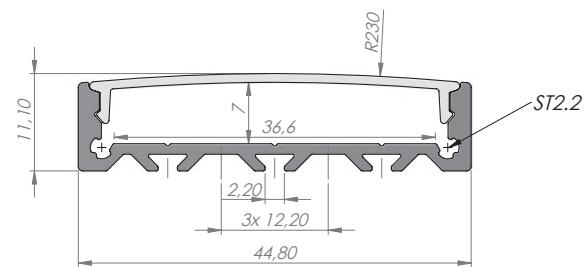
LP-EC-SLW10-H1

SLW10 LED PROFILE

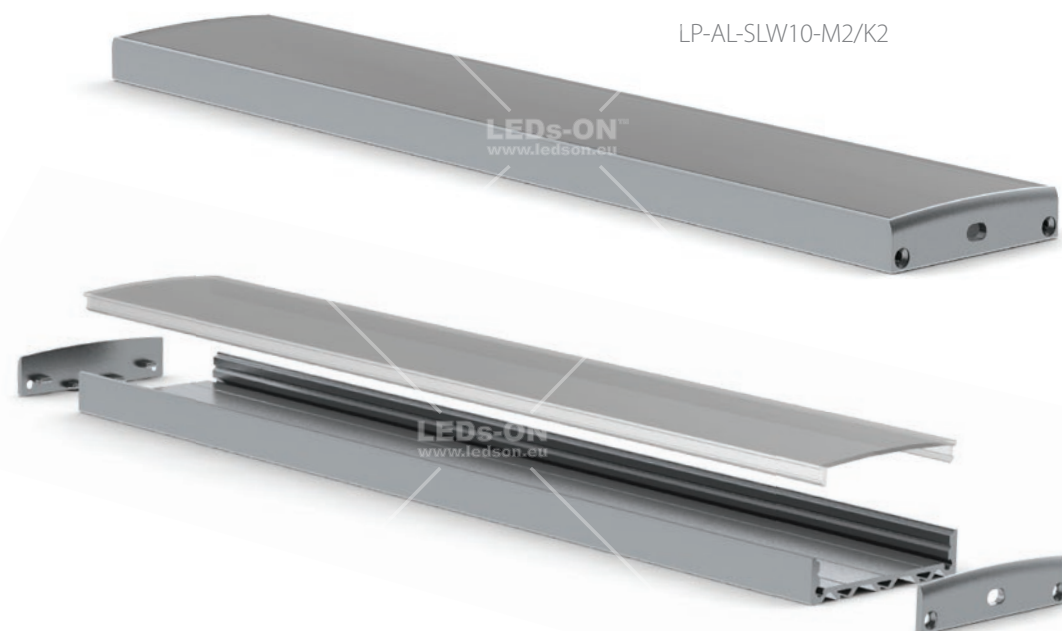
SLW10 11 x 44,8mm triple row led profile

FUTURES:

- Triple row led stripe profile up to 36,6mm
- Slim design only 11mm high
- Three types snap in high quality UV resistant diffusers
- High quality anodizing surface
- Direct installation with the surface by the ST2,2mm screws
- Aluminum end caps



LP-AL-SLW10-M2/K2

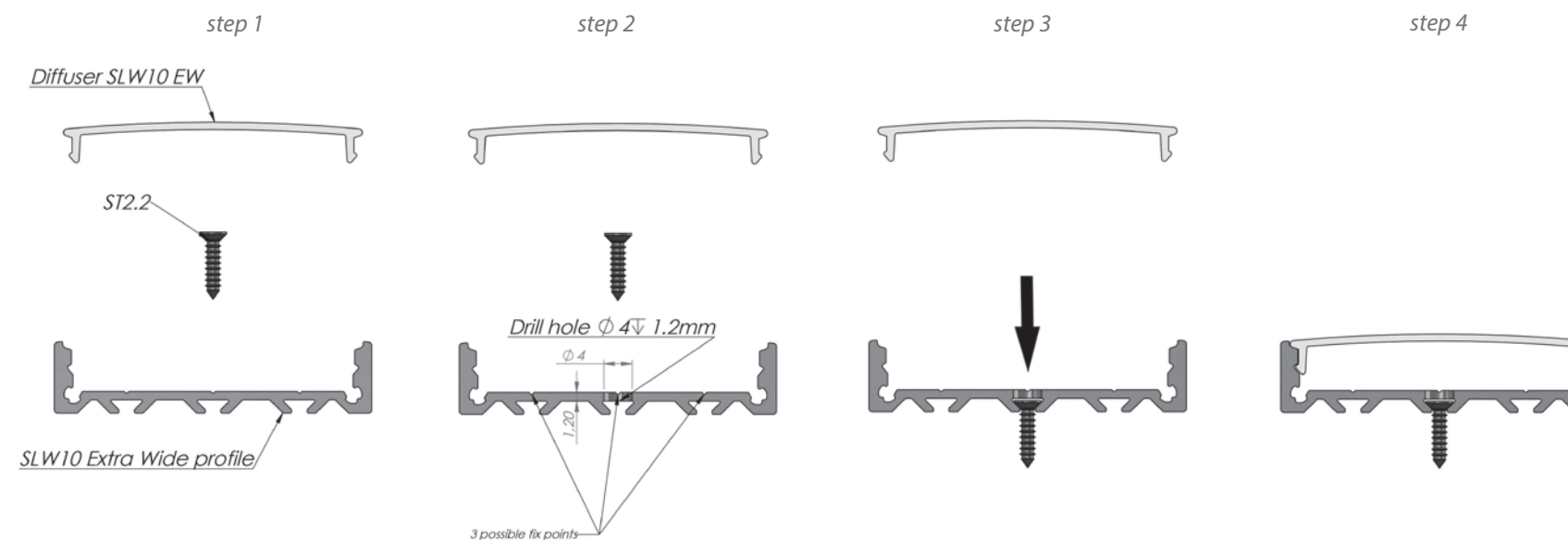


DESCRIPTION

Super wide aluminum profile with the 36,6mm space for the extra wide LED stripes or the triple row of standard 12mm LED stripes. It is low design with the aluminum body directly screwing to the surface by the ST 2,2x9,5mm self thread screws. Almost flat snap in UV resistant diffuser is providing quality finish to this LED lamp. The profiles is available with three different types of the light diffusers, frosted, 50% frosted and transparent. SLW10 LED profile is also equipped with stylish aluminum end caps screwed with the profile.



SLW10 EXTRA WIDE PROFILE MOUNT



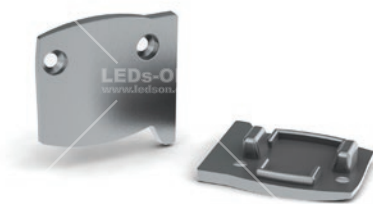
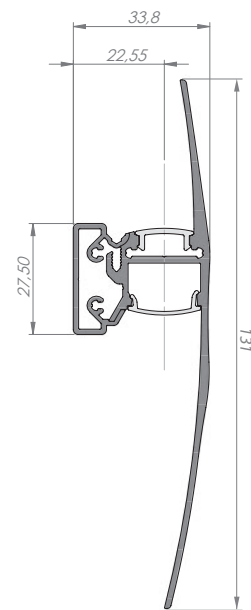


WALL LED LAMP

WALL LED LAMP; 131 X 33,8mm

FUTURES:

- Decorative modern design Wall LED lamp
- Great heat dissipation for high power led stripes up to 30W/m
- Two side LED light output
- Very fine anodizing surface
- Matching installation/hiding base for power supply
- Aluminum accessories



LP-EC-WLL



LP-AL-WLL



DESCRIPTION

Decorative wall installed LED profile with two direction light outputs up and down. Quality finish and very fine anodizing surface give you the chance to build up LED lamp what you can hang on in walking areas such as hotel hallways, cinemas, restaurants, lobby. The lamp can be powered by two high power single color or RGB LED stripes. Great heat dissipation allow to use high power LEDs up to 30W/m. Installation to the wall is made thru the installation base which working as the hiding housing for the power supply. Wall LED Lamp and the base are sale in 2m units for future cut.



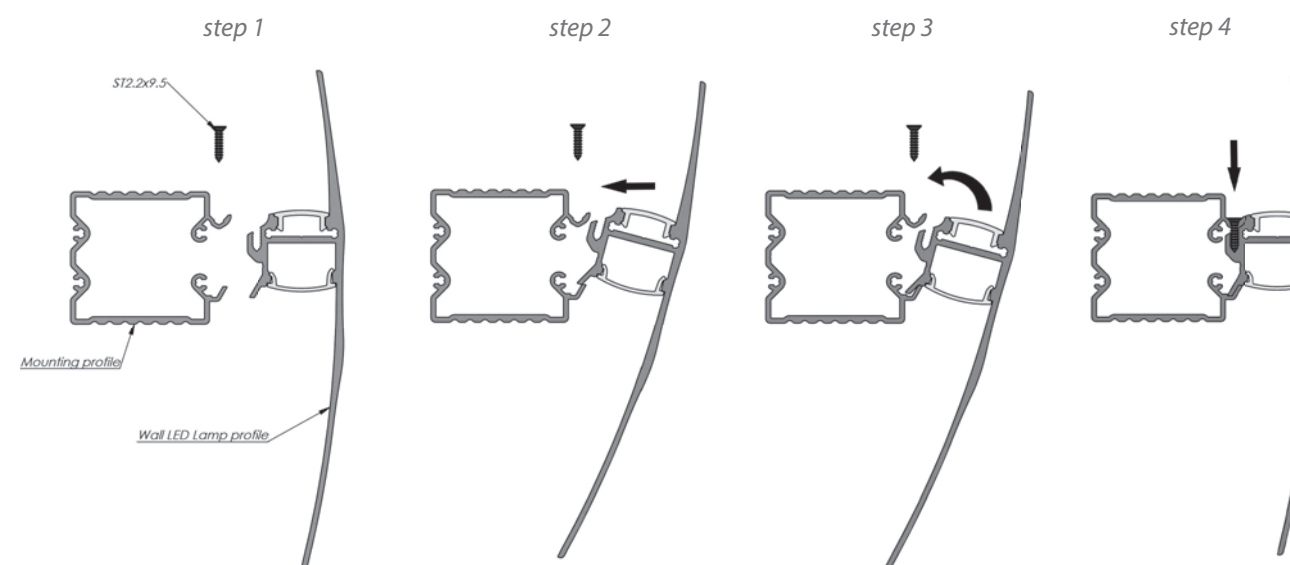
LP-EC-WLL



LP-AL-BA



ALU SQUARE PROFILE MOUNT

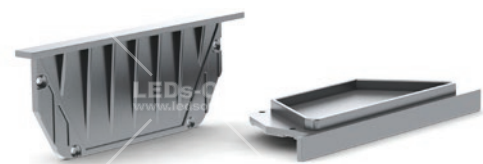
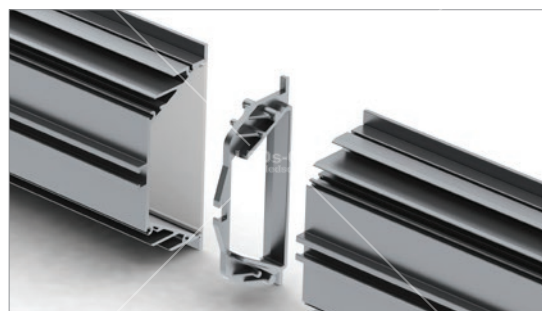
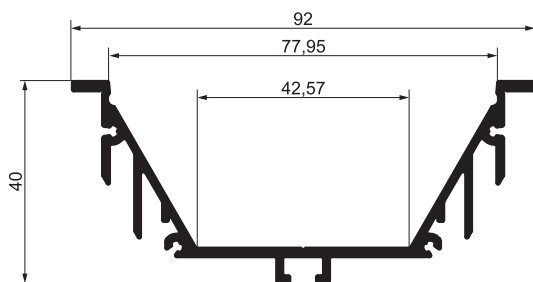




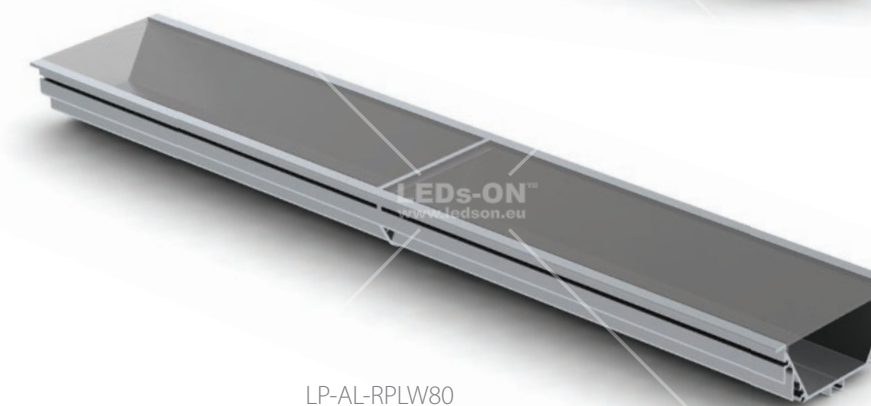
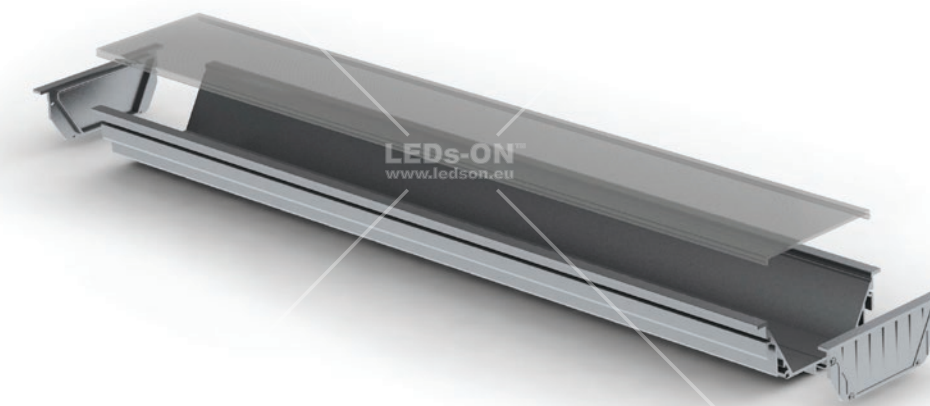
RPLW80 LED PROFILE

RPLW80; 92x40 mm

RPLW80 is recess version of popular PLW80 profile. This design is dedicated to be recess into the gypsum ceilings or the walls. Massive amount of aluminum provide heavy duty heat sink with excellent cooling capability to the LEDs up to 35W/m. The 77mm width diffuser provide even, smooth, LEDs DOTs free light on the whole surface. It is good choice for higher ceilings as the main LED lighting fixture where the strong LED light is need. The RPLW80 profile is coming with several options of length such as 1m, 2m, 3m transparent, prismatic or frosted finish PC, UV resistant light diffuser and dedicated aluminum end caps and the linear connector.



LP-EC-RPLW80



LP-AL-RPLW80



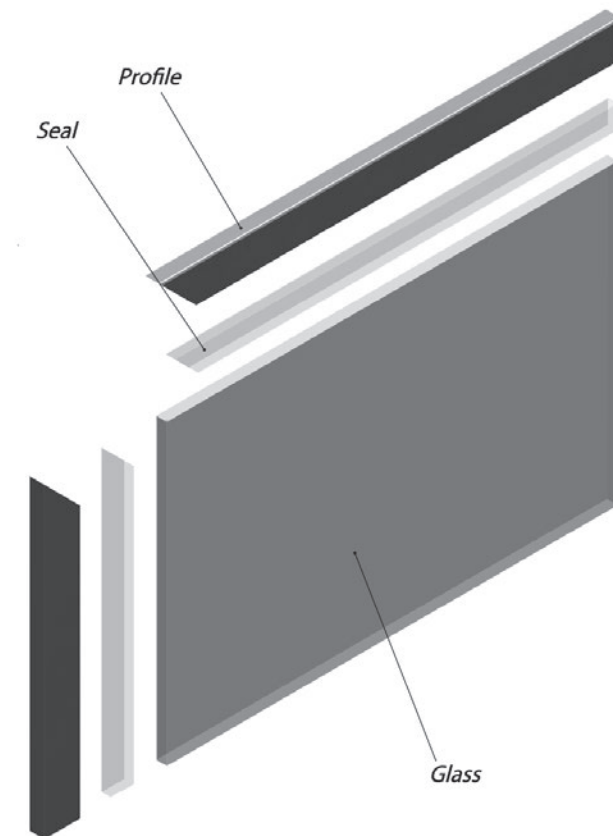
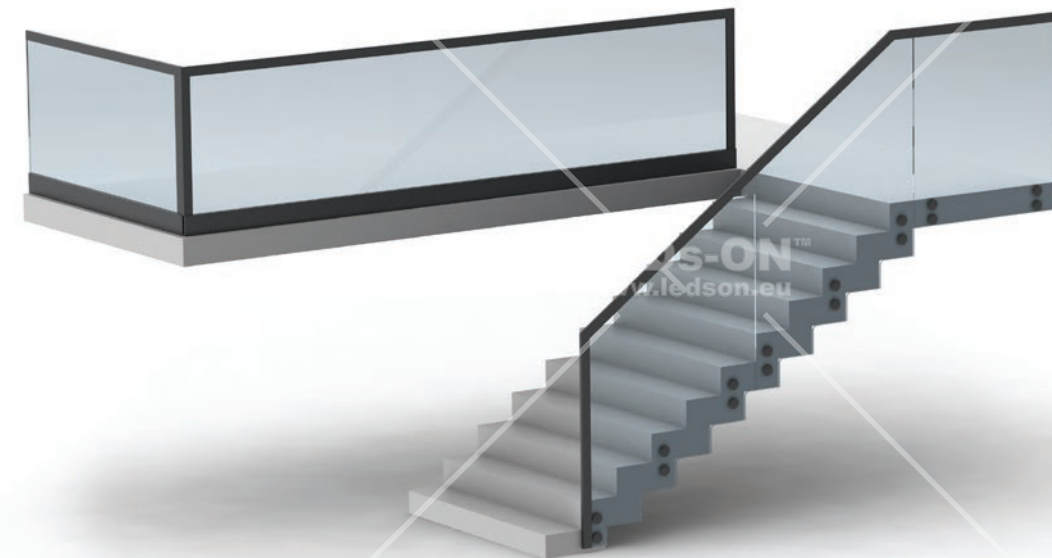
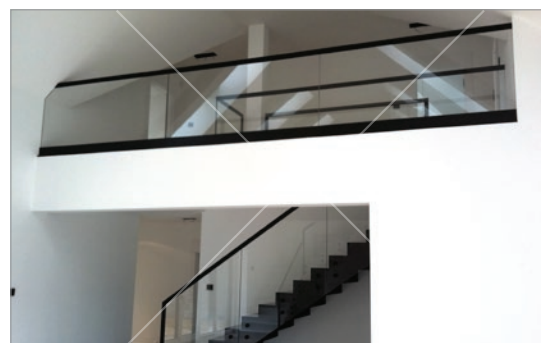
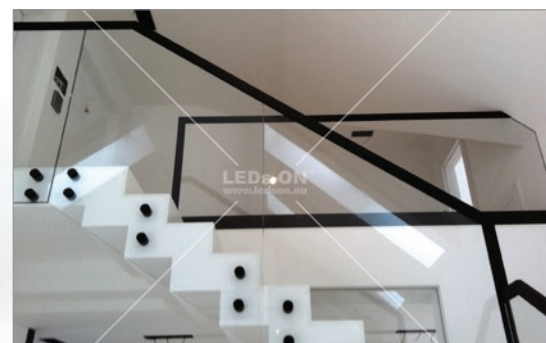
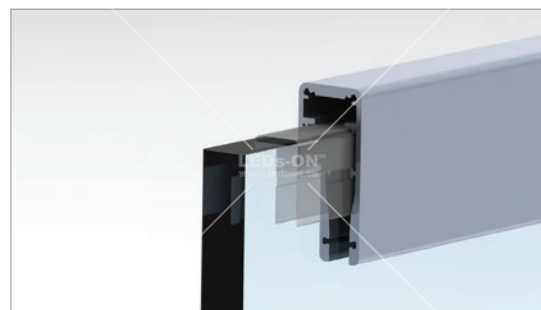
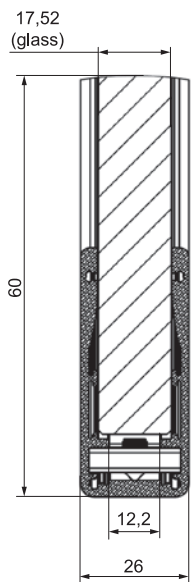
ALU-GLASS HAND RAIL

ALU-GLASS; 60x26mm

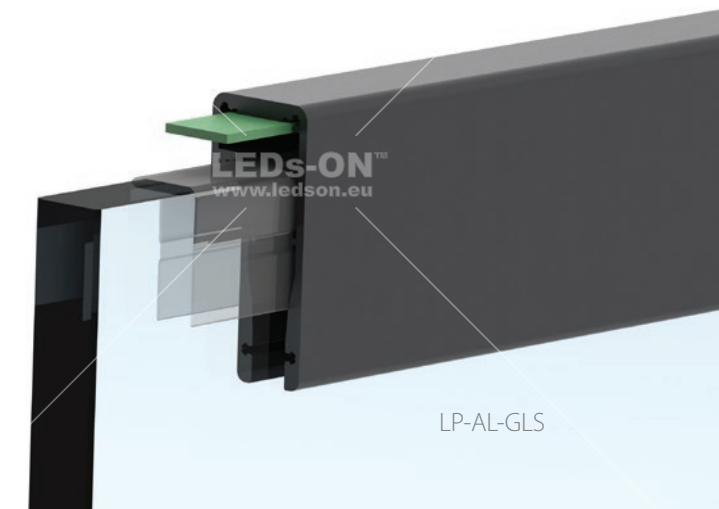
Alu-Glass hand rail profile was design and made by us as the glass barriers finish profile with the glass edge LED illumination option. The profile is dedicated for the glass barriers made from two glass plates of 8mm each with the safe foil between. The total thickness of the glass for this profile should be around 17,5mm. The hand rail profile finish the top of the glass barrier. The profile is not able to hold any weight and is not made as the base profile for the glass barriers. The installation of the profile is simple and silicone free. The installation silicone gasket is placing over the glass edge then the profile is placed over. The gasket fasten the profile with the glass firmly. Profile and the gasket is simply removable if needed.

The light from the LEDs is going thru the gasket till reach the edge of the glass.

Alu-Glass hand rail profile is available on stock in 2m and 3m lengths in finish of silver and mat black anodizing color.



ALU GLASS HAND RAIL PROFILE MOUNT

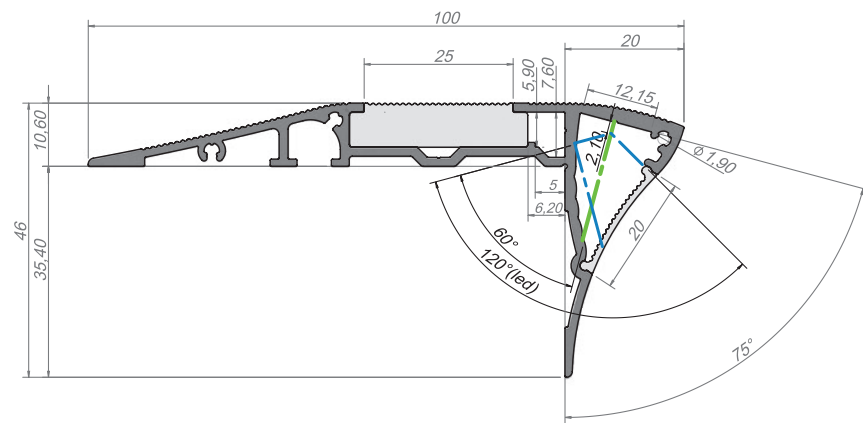


ALU-STAIR 2 LED PROFILE

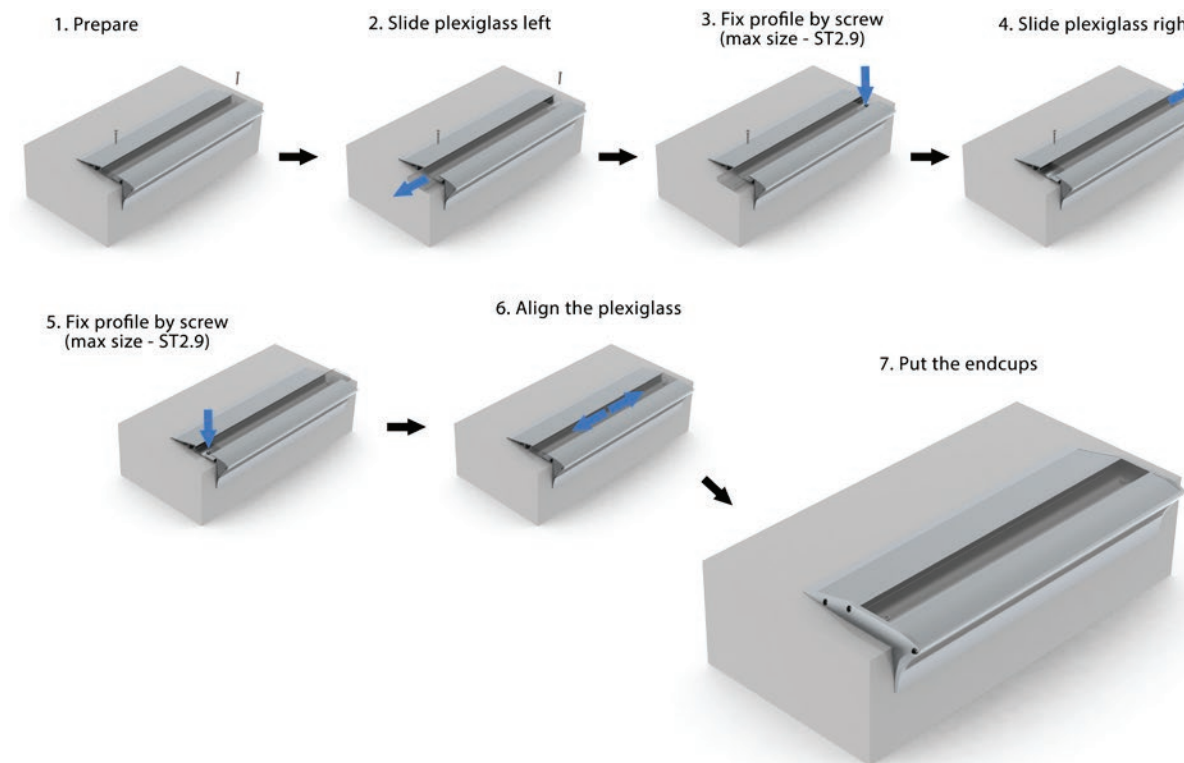
ALU-STAIR 2; 100x46mm

Alu-Stair 2, The NEW stair profile where as the main attribute of this design is the light directed down the stairs. The upper light determine the edge of the step and the lower LED light is lighting the next, following step. The light in both cases is soft and LEDs DOT's free.

The upper light/diffuser can be replaced for the anti slip rubber as the finish option. The product application is the LED stair lighting at the cinemas, hotels or other similar places where the light is reduced to very minimum. Profile is available on stock in 1m, 2m units in silver anodizing color with dedicated aluminum finish end caps.



ALU-STAIR 2 PROFILE MOUNT

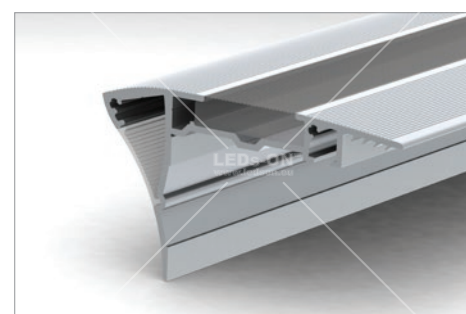
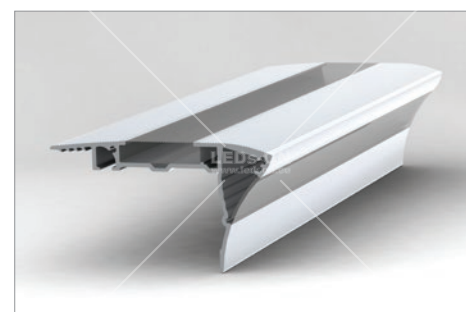
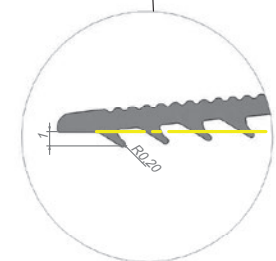
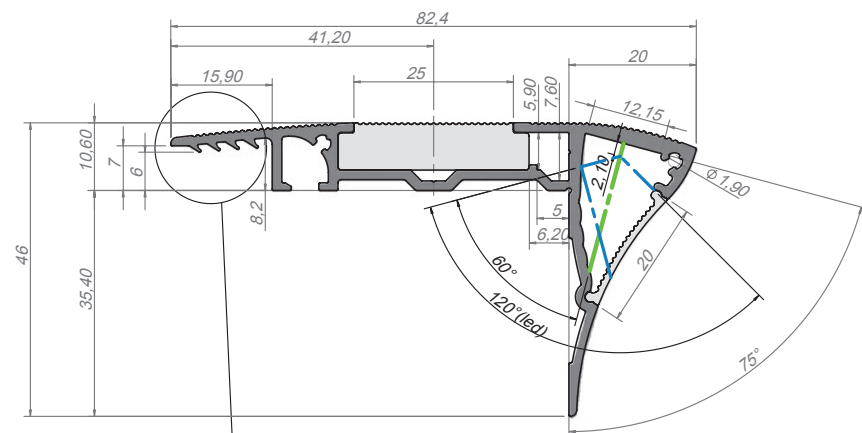


ALU-STAIR 2 CARPET LED PROFILE

ALU-STAIR 2 CARPET; 82x46mm

Alu-Stair 2 carpet LED profile is dedicated for the carpet finished stairs, where the carpet thickness is between 4-10mm. The strong attribute of this design is the LED light directed down the stairs and the soft upper light on the top. The upper light determinate the edge of the step and the lower LED light is lighting the next, following step. The light in both cases is soft and LEDs DOT's free.

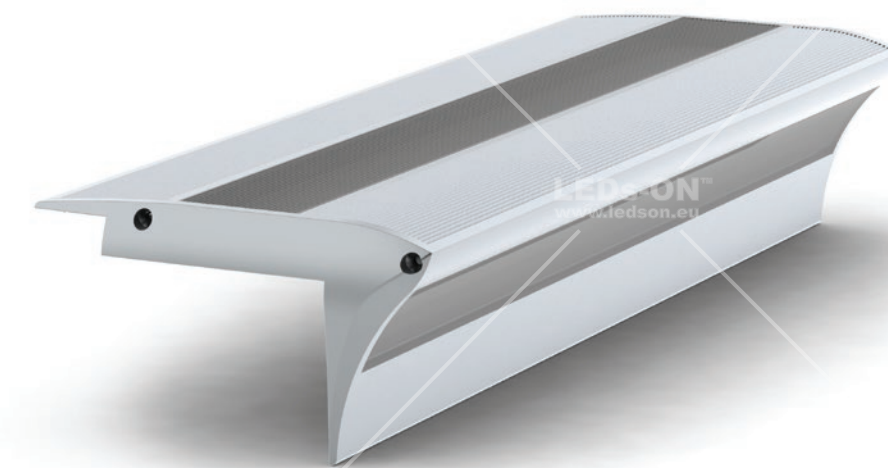
The upper light/diffuser can be replaced for the anti slip rubber as the finish option. The product application is the LED stair lighting at the cinemas, hotels or other similar places where the light is reduced to very minimum. Profile is available on stock in 1m, 2m units in silver anodizing color with dedicated aluminum finish end caps.



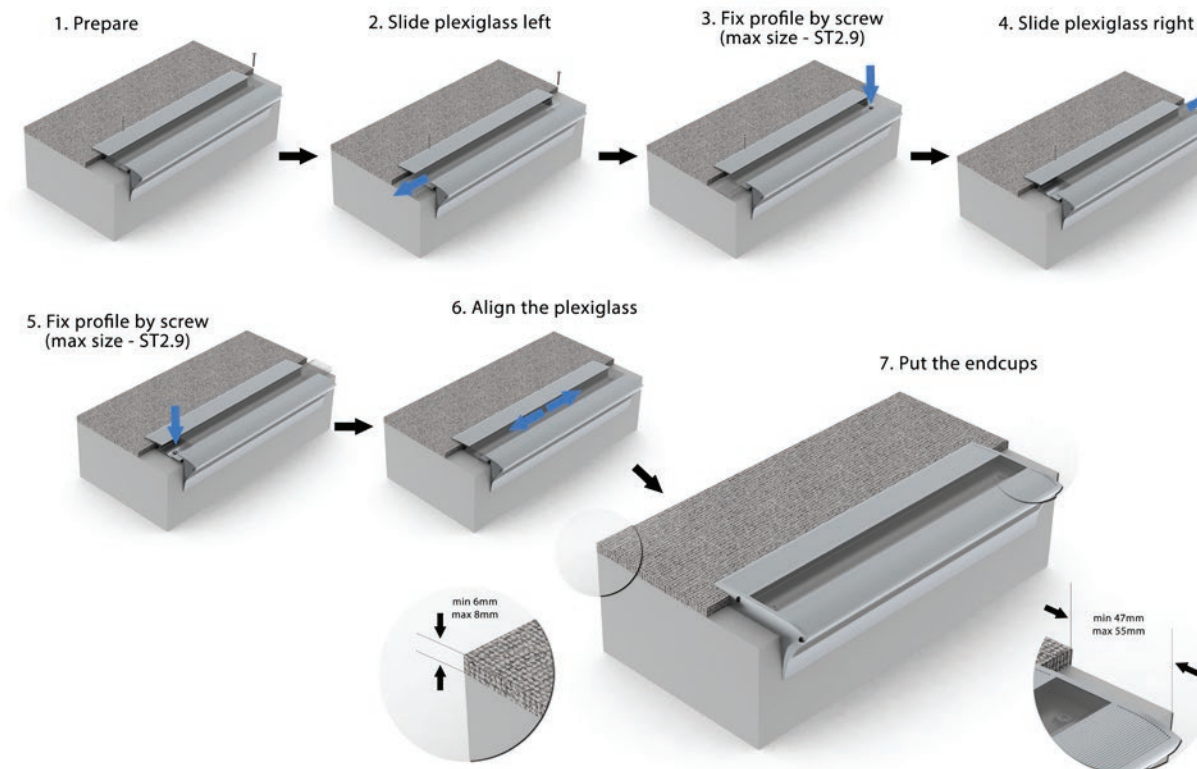
LP-AL-ST2C



LP-AL-ST2C



ALU-STAIR 2 CARPET PROFILE MOUNT



LP-EC-ST2C

ALU-TRIANGLE LED PROFILE

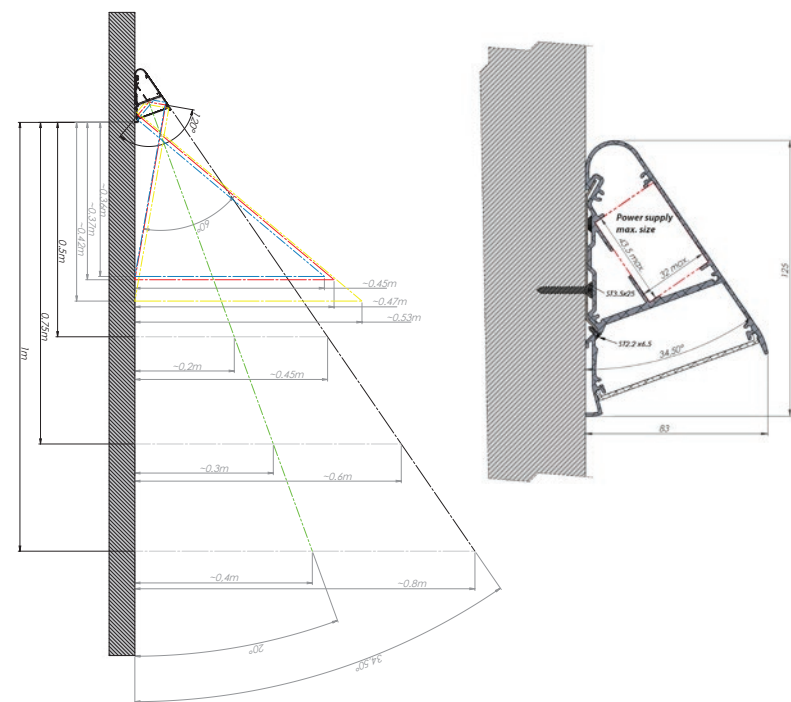
ALU-TRIANGLE; 125x82mm

Architectural design, waterproof, larger in size, triangle LED profile with great heat dissipation with high quality components and finish surface.

Concept design of this profile consider two main applications. The first one, exterior facade lighting. Where the lamp is attached to the wall or the building facade and illuminate down below (in 35° degree angle) the walk pad or drive way. The other application of this design is for shop windows lighting or stage lighting. The Alu-Triangle then is placed in laying position on the floor or shelf by the window glass and illuminate the exposed products in front of it. Bigger distance between profile and illuminated object means less concentrate light and higher/wider light beam.

It is the one of heaviest LED profiles what we ever made, (more then 2 kg/m) aluminum deliver great heat dissipation housing for high power LED's. We use special, high density aluminum alloy for faster heat exchange between LEDs and profile. The Alu-Triangle profile in this weight (2kg/m) can handle and manage temperature stable LEDs load up to 50W/m. This give you possibility to use high light output LEDs to have the bigger objects illumination. Design of the profile is providing the separate chamber for power supplier and the LEDs in one housing.

We use deep anodizing process to protect the surface against the bad wether condition and possible aluminum corrosion. Profile is equip also in aluminum end caps with the silicone gasket to provide protection against water. We made extra material withdraw to make the space to seal the diffuser with transparent silicone (as the option) for higher IP rate. Contain UV stabilized 77 mm width polycarbonate diffuser made from certified material. The profile comes in length 2m, 3m what can be cut for smaller units and became independent LED lamps.



AL-TRI



GA-TRI EC-TRI



AL-TRI



ALU-TRIANGLE PROFILE MOUNT



LEDs-ON™

www.ledson.eu

LEDs-ON
Obrońców Tobruku 31/140
01-494 Warsaw, Poland
tel: +48 22 241 12 64,
fax: +48 22 241 12 65
VAT-EU (PL8732491361)
info@ledson.eu

Germany
SOF Optoelectronics GmbH
Gartenstr. 38
52249 Eschweiler
Tel: +49 2403 508966

Russia
Chandra Co. Ltd.
Tushinsky Line 13
Moscow
Tel: +(375) 17 2984019

Australia
Optic Fibre & LED
Lighting Solutions
Unit 44 & 46/55-59
Norman Street
Peakhurst NSW 2210, Sydney
Tel: +61 2 9534 4404

Norway
STORK AS
Brynsveien 100
N-1352 Kolsås
Tel: +47 67 17 64 00

Slovenia
LEDIKS d.o.o.
Cesta 24. Junija 3
SI-1231 Ljubljana Črnuče
Tel: +386 59 049 124

Bulgaria
OMEGA LIGHT Ltd.
22 Atanas Ishirkov Str.
Sofia - 1000
Tel: +359 894 44 22 44

Italy
SICOM srl
Via Lussemburgo, 10/12
35127 Padova
Tel: +39 049 8701470

Slovakia
Lightech
Prokopova C.24
851 01 Bratislava
Tel: +42 905 492 777

USA
Luminii
7928 N Oconto Ave
Niles IL 60714
Tel: +001 224 333 6033

Latvia
SIA "ELTORS"
Biekensalas iela 3a
LV-1004 Riga
Tel: +371 6 76 10 600

Poland
PROFILE LED
ul. Rudno 105
33-131 Łęg Tarnowski
Tel: +48 510 839 666

Italy
LED PROFILE s.r.l
Via Alcide de Gasperi 28
20090 Pantigliate
Tel: +39(0) 314 154 12