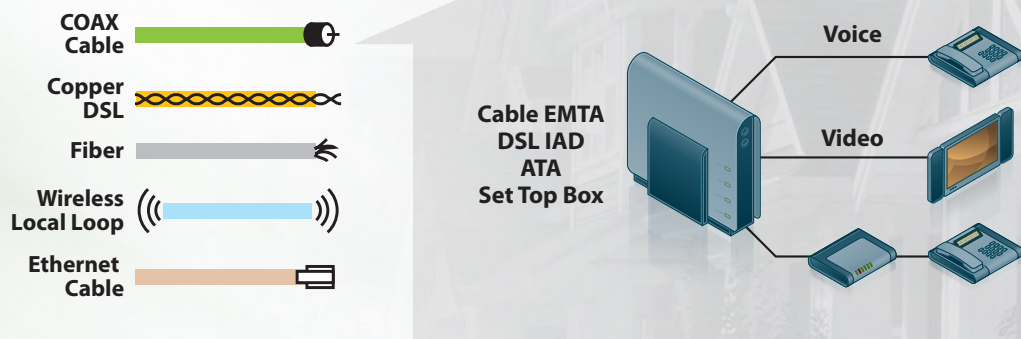


# RESIDENTIAL GATEWAY SOLUTIONS

Zarlink's Residential Gateway Solutions, including the Legerity VoiceEdge VE880 VoicePort, VE890 and VE950 series devices, give customers the simplest and most cost-effective solutions on the market for adding voice to broadband Customer Premise Equipment (CPE). These families of devices are optimized for short loop, power sensitive applications including voice over cable Embedded Multimedia Terminal Adaptors (EMTAs), voice enabled DSL gateways or Integrated Access Devices (IADs) and voice over Ethernet gateways or Analog Terminal Adaptors (ATAs), and provide the highest levels of integration available today.



Zarlink offers an extensive application toolset, including software development tools, reference designs and development platforms, to speed time to market for Voice over Broadband (VoBB) applications. In addition, the VeriVoice™ Test Suite provides the most cost-effective and reliable solution for VoIP line test and self-test to minimize the cost of ownership for VoIP service providers. With more than 30 years of voice experience, backed by an expert engineering organization, Zarlink has continued to provide the world's foremost residential gateway manufacturers reliable, cost-competitive voice solutions.

Zarlink provides a wide array of VoiceEdge™ solutions for VoBB applications. The voice chipset families of single- and dual-channel SLICs and DSP-based codec/filter devices offer simple, cost-effective, low power and dense interface solutions without sacrificing features or functionality. Devices are available for both narrowband and wideband telephony applications, and include support for both FXS and FXO interfaces.

## VE880

The Zarlink VoiceEdge VE880 VoicePort series is the first industry offering that implements dual channel interfaces in a single device by providing all the necessary voice interface functions from the high voltage subscriber line to the  $\mu$ P/DSP digital interface. The VoicePort Series provides a high density single-chip solution, worldwide compatibility and the lowest system costs for new VoBB designs. Designers benefit from the design flexibility, high performance, low power, high efficiency, small footprint, and a low cost system BOM of the VoicePort solutions.



## VE890

The VE890 series targets low-cost residential gateway, especially DSL IADs and some ATAs that often require an FXO interface and/or a single FXS line, sometimes with an option for a second FXS port. The VE890 series of chipsets enable all popular voice interface options in DSL IADs including 1 FXO, 1 FXS, 2 FXS, 2 FXO, 1 FXS + 1 FXO and 2 FXS + 1 FXO. Like the VE880 family on which it is based, the VE890 family offers full worldwide programmability, requires the fewest external components and has the lowest power consumption in the industry.

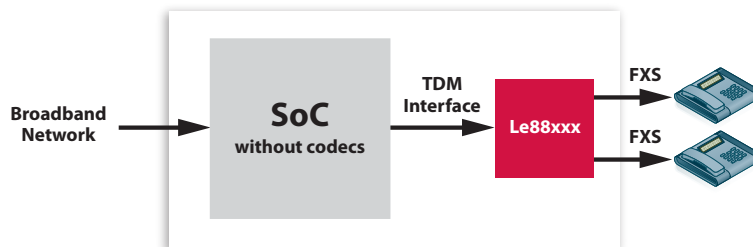


## VE950

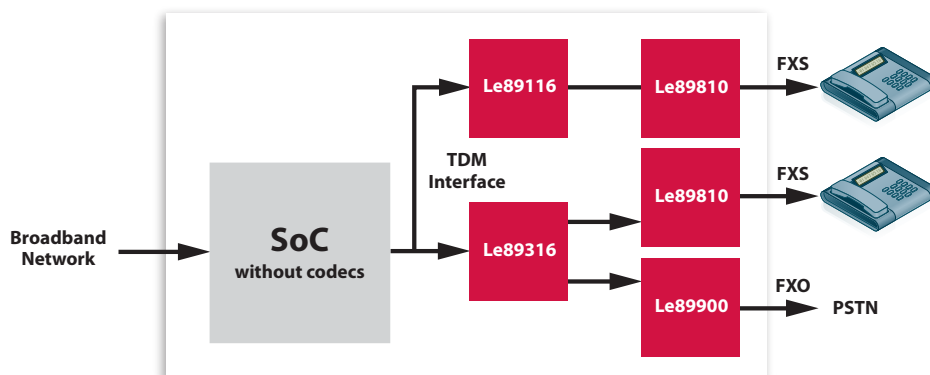
The Zarlink VoiceEdge™ VE950 series offers high performance, voice over broadband SLIC devices with universal differential ringing and codec interfaces optimized for short loop, power-sensitive applications. The VE950 products are designed to interface to residential gateway SoCs with integrated analog codecs.



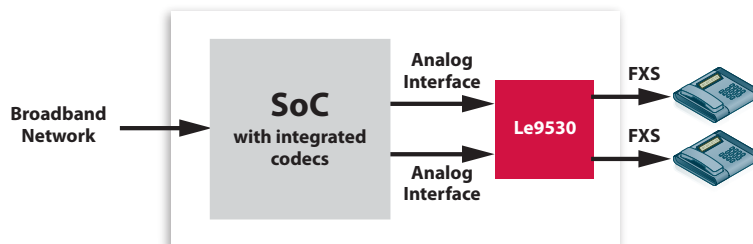
### VE880 Residential gateway SoC (without integrated analog codecs)



### VE890 DSL gateway SoC (without integrated analog codecs)



### VE950 Residential gateway SoC (with integrated analog codecs)



## Software Support

VoicePath API-II™—A set of 'C' code used to abstract Zarlink voice devices from application code while providing functions for controlling, supervising, packet exchanging, and testing a set of subscriber lines.

VoicePath API-II™ Lite—A functionally reduced version of VoicePath API-II that does not require a Software License Agreement.

Profile Wizard—A windows-based software program that aids in the organization and creation of profiles used in the API-II into a single project file.

VoicePath Toolkit—A product demonstration and evaluation tool, including a mini-PBX application for VE880 and VE890 devices.

VeriVoice™ Auditor Test Suite—A subscriber line software package implementing GR-909/TIA-1063 metallic loop tests for residential gateways, providing the market's most cost effective and reliable solution for VoIP line test while at the same time minimizing the cost of ownership for service providers.

VeriVoice™ Professional Test Suite—A subscriber line software package for VoIP equipment which adds inward looking self test to the VeriVoice Auditor Suite. VeriVoice Professional enables a complete test of the FXS subsystem and provides the market's most cost effective and reliable solution for VoIP line test.

## Hardware Support

Universal VoicePath Demo Board (UVB)—The UVB is the latest in hardware platforms designed to provide a demonstration and development vehicle for Zarlink voice devices.



[www.ZARLINK.com](http://www.ZARLINK.com)

Information relating to products and services furnished herein by Zarlink Semiconductor Inc. or its subsidiaries is believed to be reliable. The products, their specifications, services and other information appearing in this publication are subject to change by Zarlink without notice.

ZARLINK, ZL, ZLE and the Zarlink logo are trademarks of Zarlink Semiconductor Inc.

© 2009, Zarlink Semiconductor Inc. All Rights Reserved. Publication Number 9ZS202