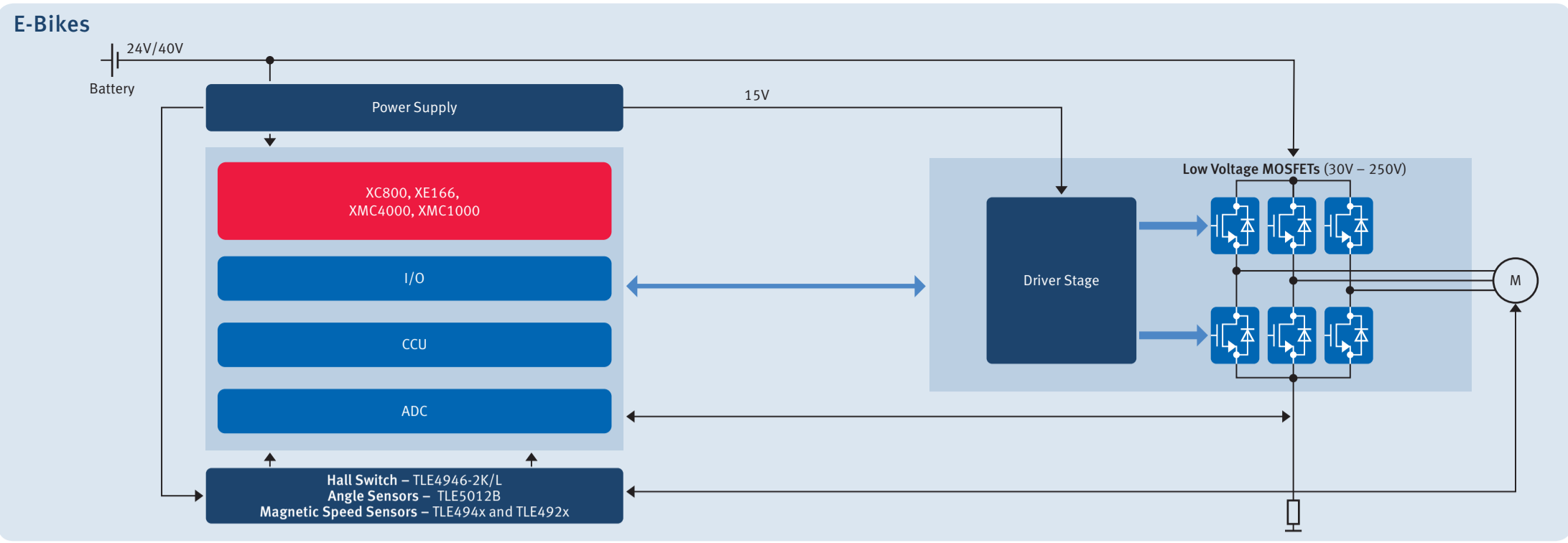
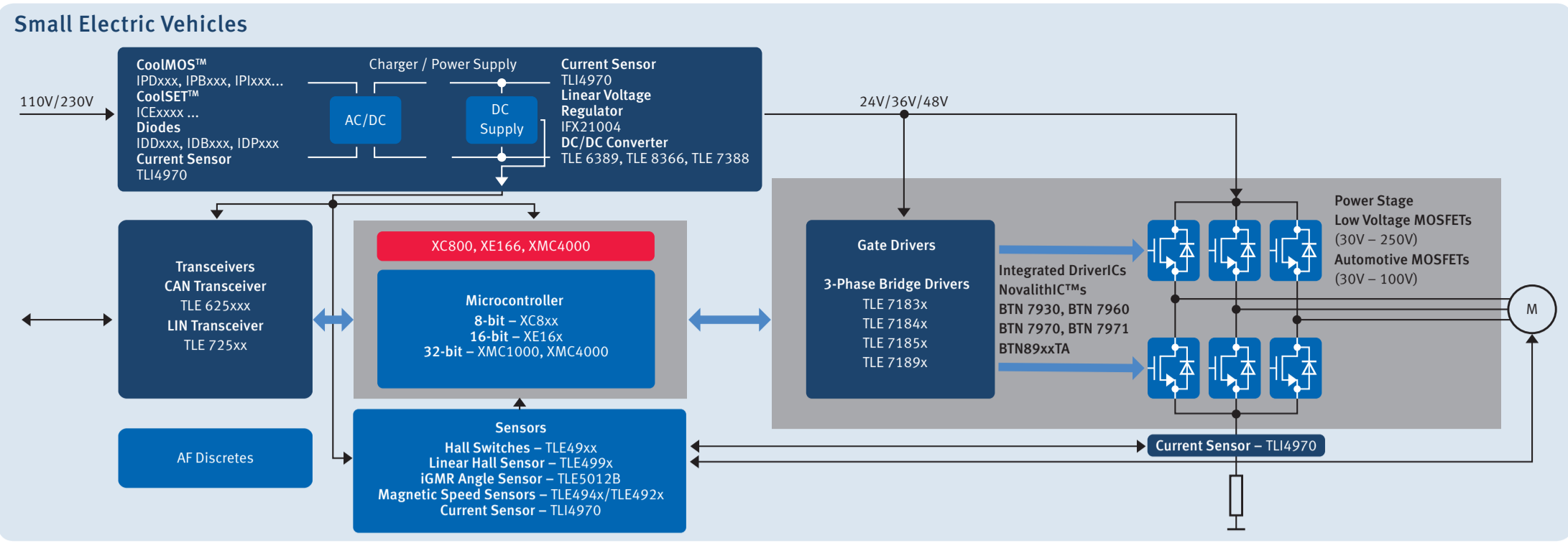




## Infineon Solutions for Small Motor Applications

2-/4-Wheeler Vehicles & Tools

www.infineon.com



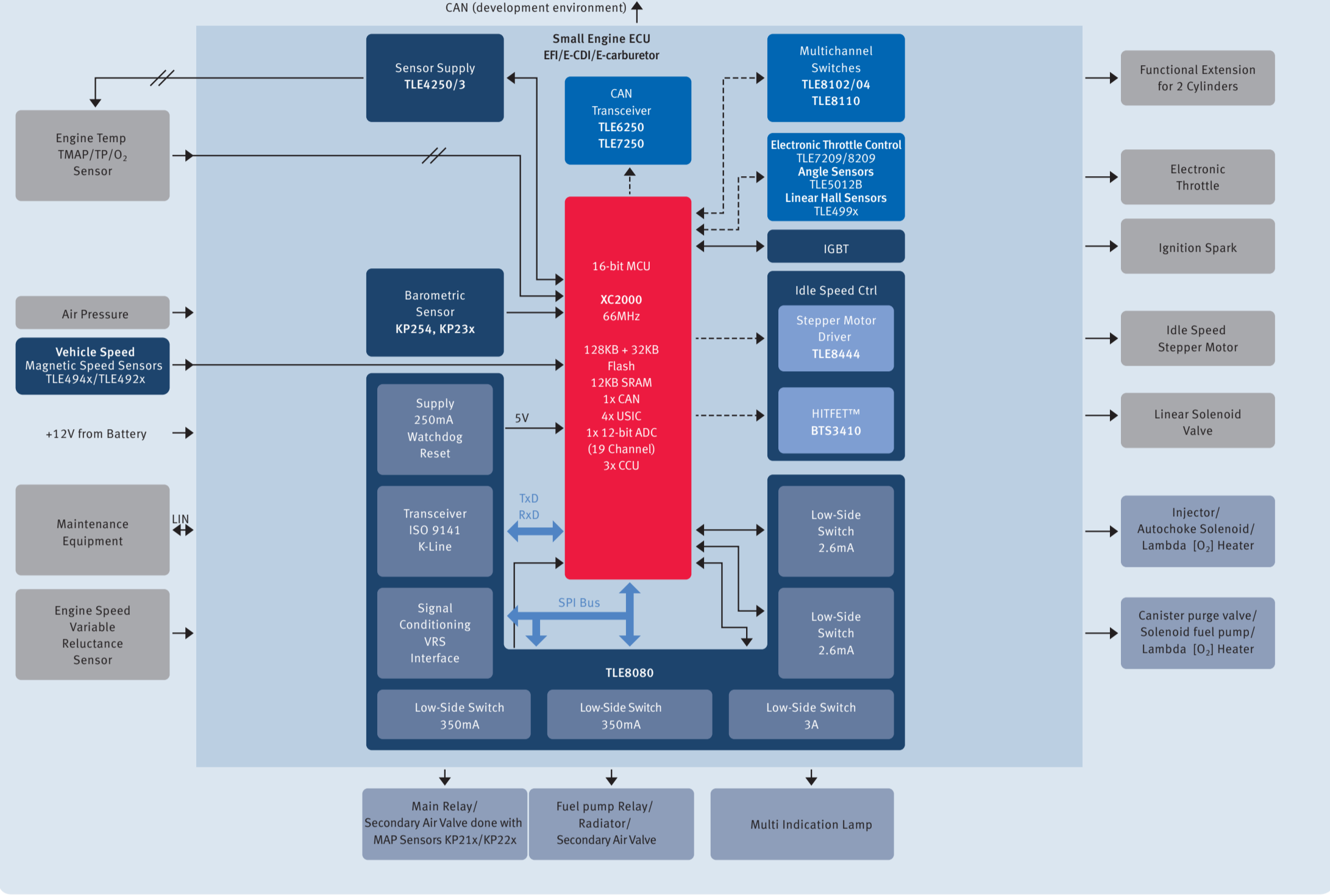
## Solutions for 2-/4-Wheeler – Electric Drive

e.g. Pedelec, eBike, eScooter, eKickboard, eCart, eBuggy, eQuad, ...

Motor Control	Battery Management	Lighting
<ul style="list-style-type: none"> <li>Voltage Regulators</li> <li>Driver ICs &amp; MOSFETs</li> <li>3-phase driver</li> <li>XC800/XE166/XMC4000</li> <li>Hall Switches, Angle Sensors, Magnetic Speed Sensors</li> </ul>	<ul style="list-style-type: none"> <li>XC800/XMC4000</li> <li>MOSFETs</li> <li>PROFET™</li> <li>OptiMOS™</li> <li>Current Sensor</li> </ul>	<ul style="list-style-type: none"> <li>LED Driver</li> <li>Linear – DC/DC Converter</li> <li>PROFET™/HITFET™</li> <li>AC/DC Driver</li> </ul>
Communication	Battery Charger	Display
<ul style="list-style-type: none"> <li>CAN/LIN Transceiver</li> <li>Embedded Power</li> </ul>	<ul style="list-style-type: none"> <li>DC/DC Switching Power Supplies</li> <li>AC/DC Switching Power Supplies</li> </ul>	<ul style="list-style-type: none"> <li>XC800/XMC4000</li> <li>Backlight LED Driver</li> <li>LDO/Voltage Regulators</li> <li>DC/DC Converter</li> </ul>



## Motorcycle Engine Management



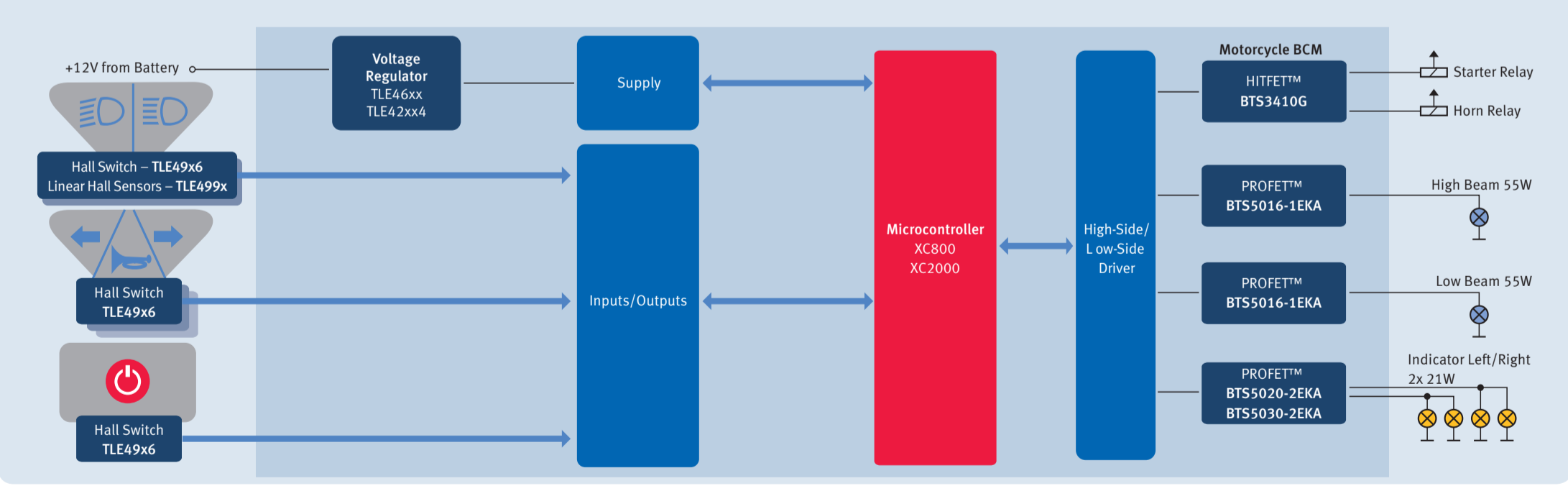
## Solutions for 2-/4-Wheeler – Combustion Drive

e.g. Motorbikes, Trikes, Snow Mobiles & Jet Skis, Quads, Carts, ...

Board Computer/Cockpit	Fans & Pumps – Motor
<ul style="list-style-type: none"> <li>Power switches</li> <li>LED driver</li> <li>MCUs + transceiver</li> <li>Supply ICs</li> <li>Stepper driver</li> </ul>	<ul style="list-style-type: none"> <li>MCUs</li> <li>Supply ICs</li> <li>MOSFETs</li> <li>Speed PROFET™</li> <li>Motor bridges</li> <li>Bridge-driver ICs</li> <li>Hall Switches</li> <li>Angle Sensors</li> </ul>
Front-/Tail-Light/Blinker	Engine Control Unit/ECU
<ul style="list-style-type: none"> <li>CAN/LIN Transceiver</li> <li>Embedded Power</li> </ul>	<ul style="list-style-type: none"> <li>MCUs + EMS + transceiver</li> <li>Supply ICs</li> <li>Switches</li> <li>Motor driver</li> <li>BAP/MAP</li> <li>Magnetic Speed Sensors</li> <li>Hall Switches</li> </ul>
Safety/ABS	
<ul style="list-style-type: none"> <li>Magnetic Speed Sensors</li> <li>MCUs</li> <li>Transceivers</li> <li>MOSFETs</li> </ul>	<ul style="list-style-type: none"> <li>Magnetic Speed Sensors</li> <li>Hall Switches</li> </ul>



## Small BCM for 2-wheelers

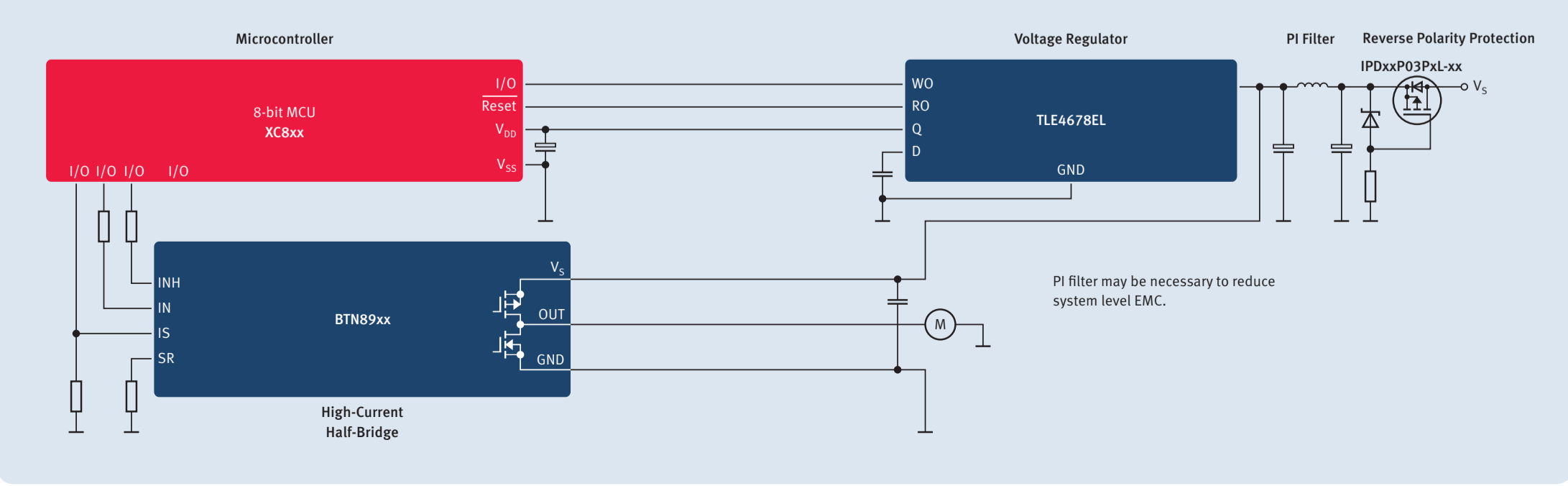


## Solutions for Others – Combustion Drive

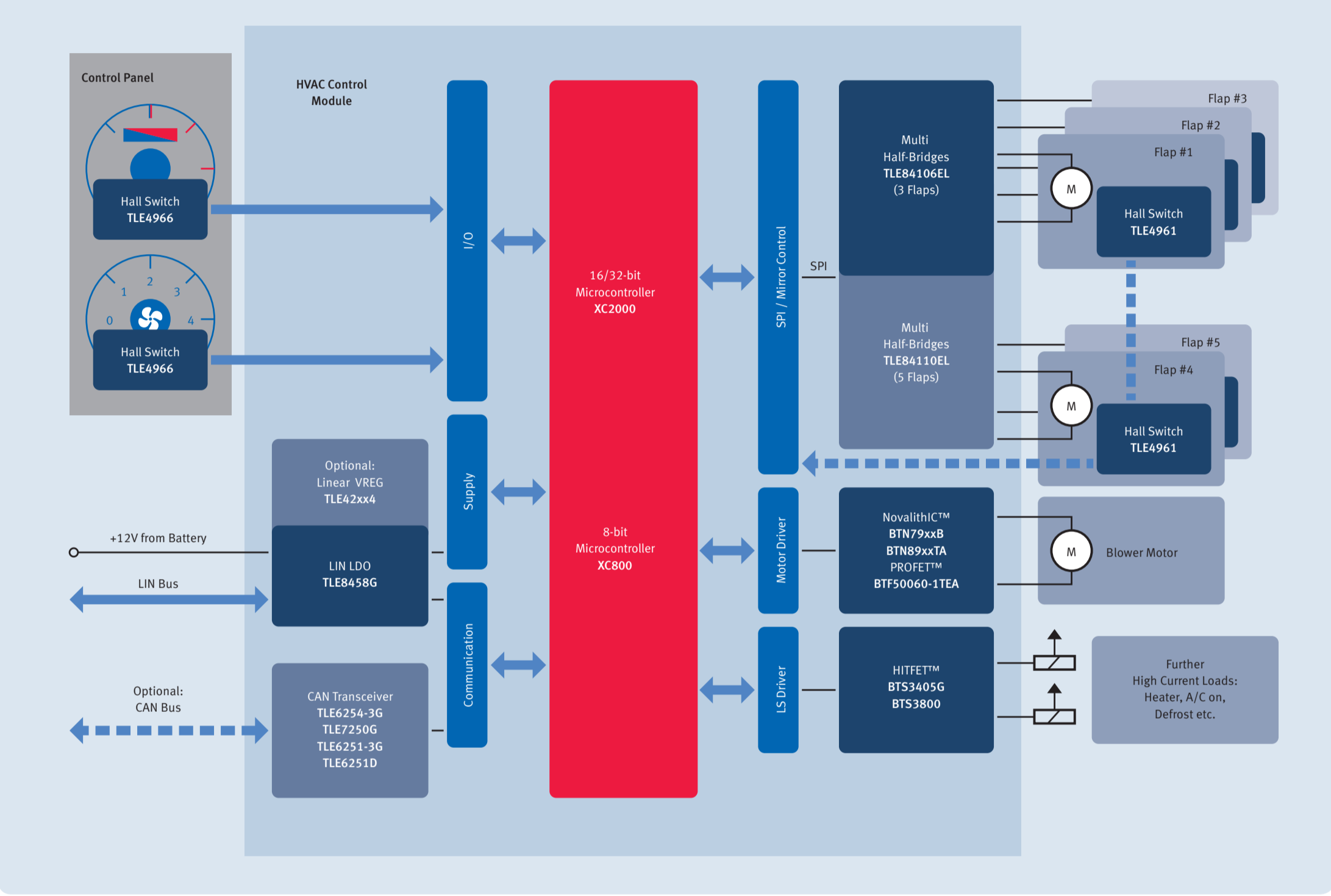
e.g. Leaf Blower, Motor Saw, ...



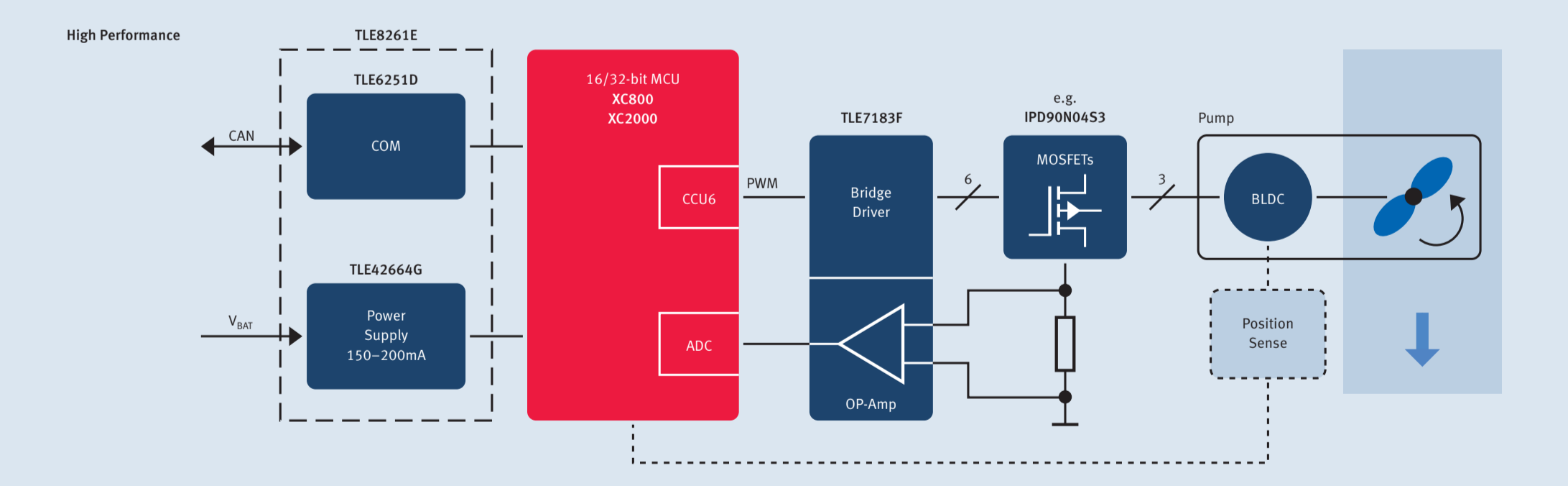
## Fuel Pump



## HVAC Control Module



## Electric Water Pump



## Low-Cost

