

RIGPOWER, LLC

Creating New Industry Standards



RigPower, LLC's mission is to create new industry standards in industrial electrical connectors by combining appropriate technological advances, quality production methods and dependable customer support.

Introduction

As each new drilling rig is designed, more and more equipment is added to allow deeper and faster drilling. However the size of the equipment that can be carried over the highways has a fixed limit. Thus the space that can be allowed for each component becomes smaller. RigPower, LLC's MC20 series and HP20 series connectors allow large cable sizes with smaller connector shells, providing tighter component spacing and maximizing the use of the available space.

MC20

The MC20 is RigPower, LLC's replacement for existing single pole size 20 shell connectors used on many top drives. The MC20® intermates with competitors top drive connectors, yet offers increased sealing over competitive products. MC20 crimp contacts can accept cables sizes from 4/0 to 444.

Available in ten color combinations to ensure correct phase identification

MC20 Male Buss Bar Receptacle

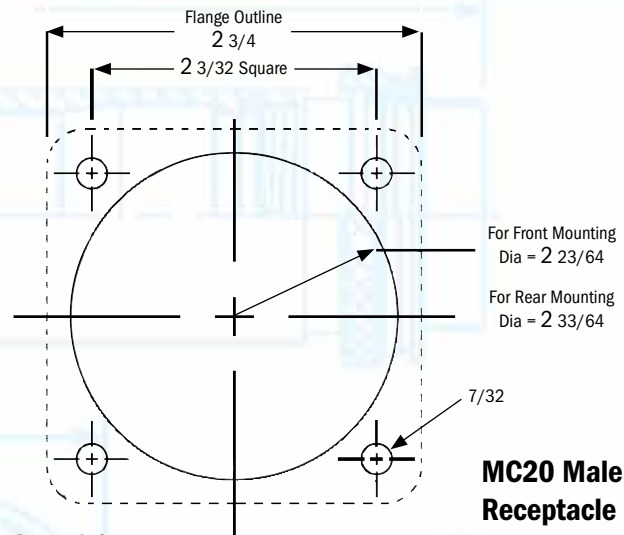
Quick acting double lead ACME threads for rapid yet secure connections.

Made from Sn plated high conductivity copper. The male buss bars and contacts have a dead front end to protect operators from shock hazard.

MC20 Female Buss Bar Receptacle

Neoprene gasket provided on all receptacles.

Note the yellow environmental sealing ring on the front of the female contact



For Front Mounting
Dia = 2 23/64

For Rear Mounting
Dia = 2 33/64

MC20 Male Contact Receptacle

Receptacle Cap

- Heavy duty stainless steel chain and clips to prevent loss of cap
- Powder Coated for easier phase identification at hook-up

The MC20 Series receptacles have two keyways to accept other manufacturer's standard two key plugs.

Quick acting double lead ACME threads for rapid yet secure connections.

MC20 Female Contact Receptacle

Neoprene gasket provided on all receptacles.

The MC20 series female receptacles are available with the Multilam Contact System. The Multilam Louver Strip allows electrical contact to be made via a large number of defined, current carrying contact points.

- High resistance to heat
- High electrical and thermal conductivity
- Sufficiently high contact forces
- High number of contact cycles
- Excellent resistance to corrosion
- Resistance to vibration
- Long product life

INDUSTRY EXCLUSIVE

- A robust Buss Bar style back provides additional flexibility in selecting cable options
- Rated at 1,000 volts AC or DC up to 796 amps
- Available in Double Hole Buss Bar Style only
- Bar can be cut down to a Single Hole Buss at the cut indicator line
- Installation is quick and reliable
- Made from Duplex Sn lated high conductivity copper

Ampacity Ratings in 40° Ambient		
Cable Size	90° C	125° C
4/0 MCM	364 AMPS	451 AMPS
313 MCM	513 AMPS	636 AMPS
373 MCM	548 AMPS	669 AMPS
444 MCM	642 AMPS	796 AMPS

MC20 Female Fixed Cable Receptacle

Plug Cap – Fully powder coated, helps protect roughnecks by identifying proper phase color easily, up close or from a distance. Heavy duty stainless steel chain and clips to prevent loss of cap.

Note the yellow environmental sealing ring on the front of the female contact

Neoprene gasket provided.

Cable Plugs can accommodate either a Mechanical Cable Clamp or Kellems® Grip.

INDUSTRY EXCLUSIVE
Robust grip with knurling for easy assembly and handling. Fully powder coated.

In-line Receptacle Cap – Fully powder coated, helps protect roughnecks by identifying proper phase color easily, up close or from a distance. Heavy duty stainless steel chain and clips to prevent loss of cap.

MC20 Male In-line Receptacle

Cable Plugs can accommodate either a Mechanical Cable Clamp or Kellems® Grip.

INDUSTRY EXCLUSIVE
Robust grip with knurling for easy assembly and handling. Fully powder coated.

Quick acting double lead ACME threads for rapid yet secure connections.

Male In-line Receptacle – Sn plated high conductivity copper contact. All male plugs and receptacles have a dead front end to protect operators from shock hazard.

MC20 Female Plug

The MC20 series female receptacles are available with the Multilam Contact System. The Multilam Louver Strip allows electrical contact to be made via a large number of defined, current carrying contact points.

- High resistance to heat
- High electrical and thermal conductivity
- Sufficiently high contact forces
- High number of contact cycles
- Excellent resistance to corrosion
- Resistance to vibration
- Long product life

INDUSTRY EXCLUSIVE
Robust grip with knurling for easy assembly and handling. Fully powder coated.

Cable Plugs can accommodate either a Mechanical Cable Clamp or Kellems® Grip.

- Coupling Nut**
- A locking screw is provided on the coupling nut for severe service environments
 - Both the male and female plugs include an internal O-ring seal to prevent moisture

Note the yellow environmental sealing ring on the front of the female contact

MC20 In-line Plug has two keyways to accept other manufacturer's standard two key plugs.

MC20 Plug

MC20 In-line Receptacle

MC20 In-line Connection

*Kellems®, is a Registered Trademark of Hubbell Inc.

RIG POWER MC20 SERIES

Ordering Table for MC20 Single Pole Power Connectors

(Rated for 1000 Volts / 1135 Amps)

MC20 Panel Mount Receptacles

Ordering Format: MC20-(1)-(2)-(3)

(1) Receptacle Gender & Style	(2) Contact Size	(3) Color	
MBR = Male Double Hole Buss Bar Panel Mount Receptacle - (SKIP #2)	4/0 = 4/0 MCM	BK = Black	BL = Blue
FBR = Female Double Hole Buss Bar Panel Mount Receptacle - (SKIP #2)	2 = 373 MCM	BR = Brown	G = Green
MCR = Male Contact Panel Mount Receptacle	3 = 313 MCM	GY = Gray	OR = Orange
FCR = Female Contact Panel Mount Receptacle	4 = 444 MCM	P = Purple	R = Red
		W = White	Y = Yellow

MC20 Plugs, In-line Receptacles & Fixed Cable Receptacles

Ordering Format: HP20-(1)-(2)-(3)-(4)-(5)

(1) Male & Female Contact Size	(1) Style of Plug Casing	(3) Grommet	(4) Mechanical Clamp	(5) Color	
Male	P = Plug	16 = 0.870 - 1.000	M = Mechanical Clamp	BK = Black	
4/0M = 4/0 Male Contact		18 = 1.000 - 1.125		BL = Blue	
2M = 373 Male Contact		OR	20 = 1.125 - 1.250	OR	BR = Brown
3M = 313 Male Contact			22 = 1.250 - 1.375		G = Green
4M = 444 Male Contact	IR = In-Line Receptacle	24 = 1.375 - 1.500	Kellems Grip	GY = Gray	
					OR = Orange
Female	OR		K16 = #16 (0.875 - 1.000)	P = Purple	
4/0F = 4/0 Female Contact			K18 = #18 (1.000 - 1.125)	R = Red	
2F = 373 Female Contact		FCR = Fixed Cable Receptacle		K20 = #20 (1.125 - 1.250)	W = White
3F = 313 Female Contact				K22 = #22 (1.250 - 1.375)	Y = Yellow
4F = 444 Female Contact				K24 = #24 (1.375 - 1.500)	

RigPower MC20 Series Single Pole - Spare Parts

Part Number	Part Description	Part Number	MALE Part Description
G16-20	Grommet #16 (0.875 - 1.000)	MC20-4/0M	MC20 - 4/0 Male Contact w/Insulator (Recept or Plug)
G18-20	Grommet #18 (1.000 - 1.125)	MC20-2M	MC20 - 373 Male Contact w/Insulator (Recept or Plug)
G20-20	Grommet #20 (1.125 - 1.250)	MC20-3M	MC20 - 313 Male Contact w/Insulator (Recept or Plug)
G22-20	Grommet #22 (1.250 - 1.375)	MC20-4M	MC20 - 444 Male Contact w/Insulator (Recept or Plug)
G24-20	Grommet #24 (1.375 - 1.500)	MC20-MBB	MC20 - Male Buss Bar w/Insulator
GW24-20	Grommet Washer #24 (for #20 Shell)	Part Number	FEMALE Part Description
K16-20	Kellems Grip #16 (0.875 - 1.000)	MC20-4/0F	MC20 - 4/0 Female Contact w/Insulator (Recept or Plug)
K18-20	Kellems Grip #18 (1.000 - 1.125)	MC20-2F	MC20 - 373 Female Contact w/Insulator (Recept or Plug)
K20-20	Kellems Grip #20 (1.125 - 1.250)	MC20-3F	MC20 - 313 Female Contact w/Insulator (Recept or Plug)
K22-20	Kellems Grip #22 (1.250 - 1.375)	MC20-4F	MC20 - 444 Female Contact w/Insulator (Recept or Plug)
K24-20	Kellems Grip #24 (1.375 - 1.500)	MC20-FBB	MC20 - Female Buss Bar w/Insulator
MC24-20	Mechanical Clamp #24 (for #20 Shell)		
Part Number	The 30°/45° Reversible Locking Buss Bar Lug	Part Number	Double Hole Lugs
SL-535-AL	535 MCM 30°/45° Reversible Locking Buss Bar Lug	QS-535-L	Quick/Quad Stab Double Hole 535 Lug
SL-646-AL	646 MCM 30°/45° Reversible Locking Buss Bar Lug	QS-646-L	Quick/Quad Stab Double Hole 646 Lug
SL-777-AL	777 MCM 30°/45° Reversible Locking Buss Bar Lug	QS-777-L	Quick/Quad Stab Double Hole 777 Lug

*Kellems®, is a Registered Trademark of Hubbell Inc.



10345 South Perdue Avenue
 Baton Rouge, Louisiana 70814 USA
 phone: (225) 272-8800
 fax: (225) 272-8830
 www.rigpower.com



RIG POWER MC20 SERIES