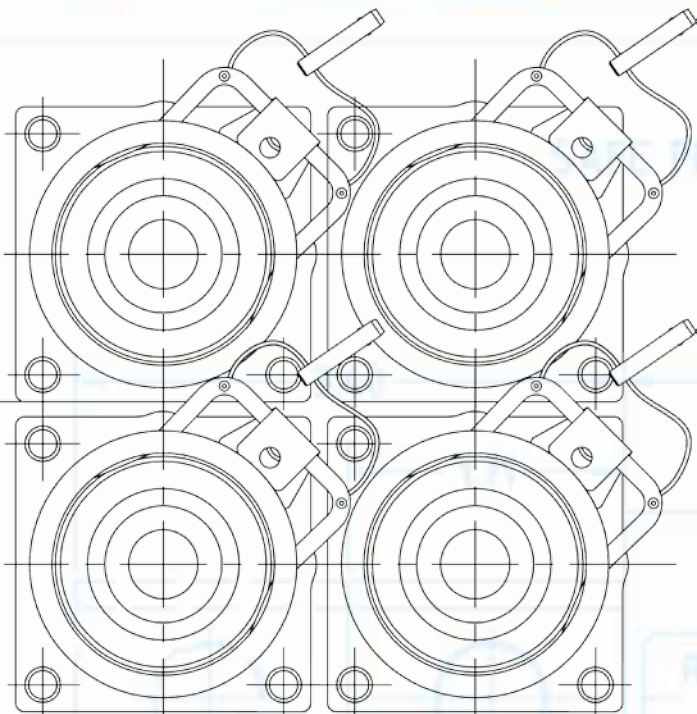


RIGPOWER, LLC

Creating New Industry Standards





RigPower, LLC's mission is to create new industry standards in industrial electrical connectors by combining appropriate technological advances, quality production methods and dependable customer support.

Applications

RigPower, LLC's RMP® II Series (single pole) connectors are designed specifically with the requirements of the drilling industry in mind. These products are designed to deliver up to 1,000 Volts AC or DC and up to 1,135 Amps of continuous power in the most extreme conditions. Typical applications are: the connection of power from generator sets to Switchgear or SCR (silicon-controlled rectifiers) controls, from the control house to traction motors, mud pumps, draw-works, rotary tables, cement pumps and top drives.

Ampacity Ratings in 40° Ambient		
Cable Size	90°	125°
4/0 MCM	364 AMPS	451 AMPS
313 MCM	513 AMPS	636 AMPS
373 MCM	548 AMPS	669 AMPS
444 MCM	642 AMPS	796 AMPS
535 MCM	724 AMPS	898 AMPS
646 MCM	814 AMPS	1009 AMPS
777 MCM	916 AMPS	1135 AMPS

Configurations

The RMP® II Series connectors are available in all configurations of male and female connectors. Typical configurations are shown below.

Power Side	Equipment Side	Use
Male Panel Mount Receptacle	Female Plug	AC or DC output side of panel
Male Plug	Female Plug	In-line cable to cable connection
Male Plug	Female Panel Mount Receptacle	AC Power to switch-gear

Type P Cables

The RMP® II Series connectors are designed to work in conjunction with the latest generation of Type P drilling cables, per IEEE 45. Cable accommodations are 4/0 MCM to 777 MCM.

Installation

The simple design of the RMP® II Series allows the connectors to be mated and unmated without the use of tools.

Warning: Due to potential high temperature spikes and the presence of drilling mud polymers, we do not recommend mating inexpensive Thermoplastic materials with RigPower premium parts.

Qualifications

RMP® II Series

Female Panel Mounted Receptacle



RMP® II Series

Male Panel Mounted Receptacle



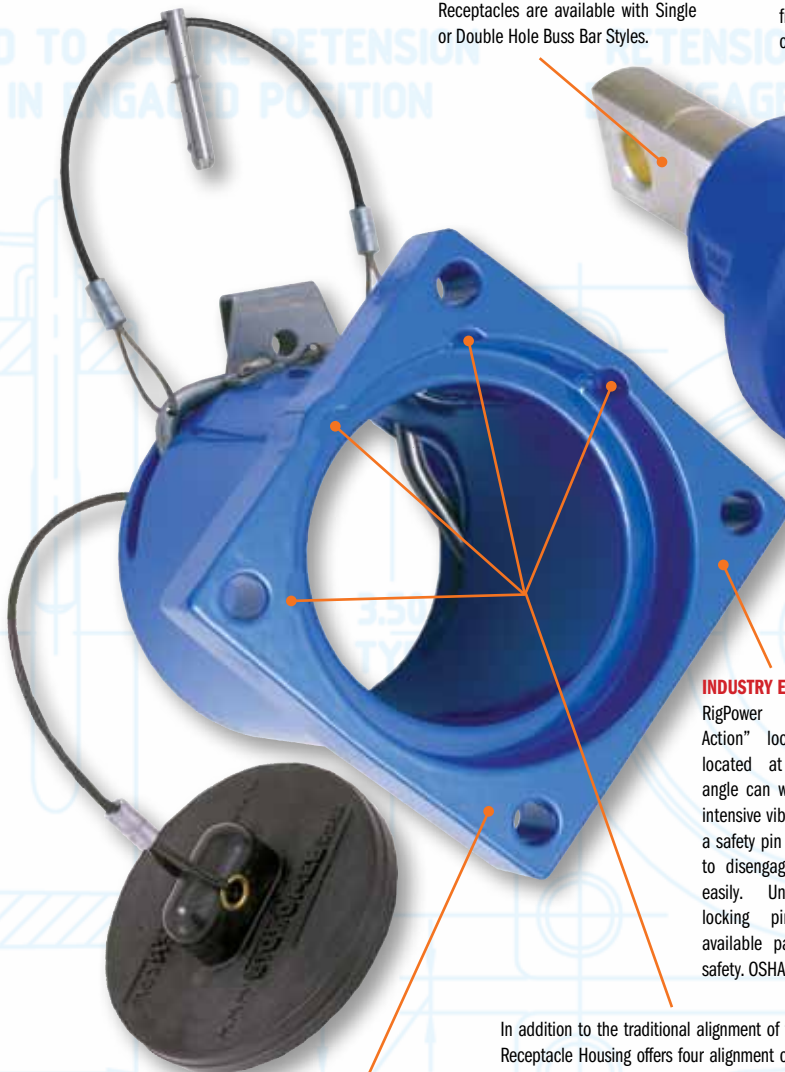
Available Colors



INDUSTRY FEATURES AND BENEFITS

RMP® II Panel Mount Housings

Buss Bar termination is provided on all panel mounted receptacles. Receptacles are available with Single or Double Hole Buss Bar Styles.



INDUSTRY EXCLUSIVE

RigPower designed "Snap Action" locking mechanism, located at a 45° degree angle can withstand the most intensive vibration. Included is a safety pin and a pull lanyard to disengage the mechanism easily. Unique diameter of locking pin opening and available pad lock enhances safety. OSHA 1910 compliant.

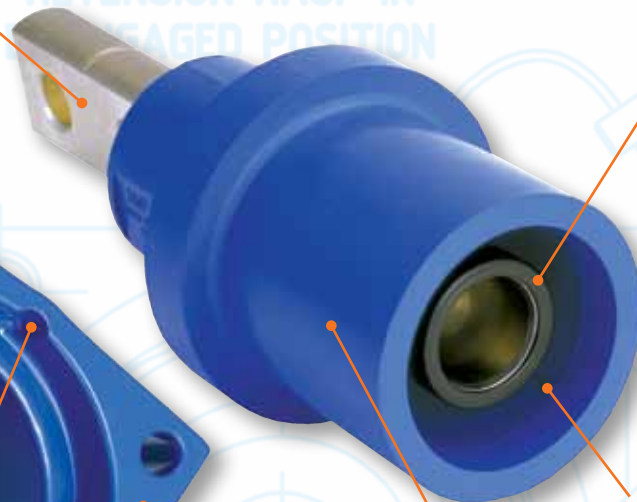
In addition to the traditional alignment of the receptacle buss bars, RMP® II Receptacle Housing offers four alignment cutouts which allows positioning of the buss bar at 45° left or 45° right to ease cable routing.

INDUSTRY EXCLUSIVE

Panel Mount Housing - Epoxy coated copper-free aluminum alloy, color coded for quick phase identification. Color coding prevents reverse phasing or cross polarization which could result in personnel injury and equipment damage.

RMP® II Female Receptacles

Temperature Ratings - RigPower's RMP® II receptacles are designed to operate in extreme temperatures, from low Arctic conditions to the high temperatures of the Middle East deserts. Even under these conditions, RigPower's products will be able to operate at full rated load (-40°C to +55°C ambient).



INDUSTRY EXCLUSIVE

Female Receptacle - Female Contact (**U.S. Patent No. 7,442,096**) with Dead Front Delrin® Ring, provides increased safety by helping to prevent accidental contact. The inherent design of the connectors is such that the electrical contacts are shrouded by the rubber insulators. BOTH the male and female have a Dead Front end to protect operators from shock hazard. Connectors are rated at 1000 volts AC or DC with the ability to withstand intermittent surges up to 1,300 Amps.

INDUSTRY EXCLUSIVE

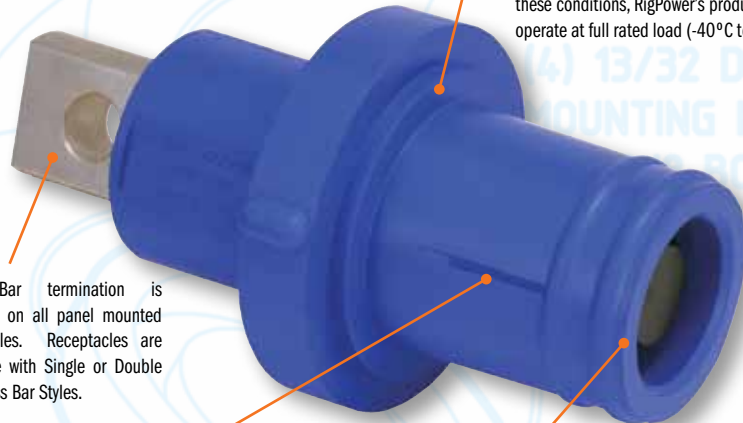
Molded vacuum release groove designed into all insulators which aids in assembly and disassembly of connectors while allowing NEMA 3R rated seal.

INDUSTRY EXCLUSIVE

Rubber - Made with a Proprietary Synthetic Thermoset Rubber (not inexpensive Thermoplastic) with "Self-Lubricating" technology. The receptacles are resistant to oil, mud, sea water and petroleum products. Material is designed to provide weatherproof service in a variety of demanding environments.

RMP® II Male Receptacles

Temperature Ratings - RigPower's RMP® II receptacles are designed to operate in extreme temperatures, from low Arctic conditions to the high temperatures of the Middle East deserts. Even under these conditions, RigPower's products will be able to operate at full rated load (-40°C to +55°C ambient).



Buss Bar termination is provided on all panel mounted receptacles. Receptacles are available with Single or Double Hole Buss Bar Styles.

INDUSTRY EXCLUSIVE

Molded vacuum release groove designed into all insulators which aid in assembly and disassembly of connectors while allowing NEMA 3R rated seal.

INDUSTRY EXCLUSIVE

Male Receptacle - Duplex Sn plated high conductivity copper (**U.S. Patent No. 7,442,096**) with self adjusting contact force. Allows increased contact surface area and prevents collection of debris. The inherent design of the connectors is such that the electrical contacts are shrouded by the rubber insulators. BOTH the male and female have a Dead Front end to protect operators from shock hazard. Connectors are rated at 1000 volts AC or DC with the ability to withstand intermittent surges up to 1,300 Amps.

Flange Mounted Grounding Receptacle & Plug



- Santoprene™ TPV Insulator offers superior UV resistance to fading and cracking
- Solid brass construction for highest conductivity
- Double cam design for vibration-proof connection
- Spring action slot that compensates for wear and extends service life



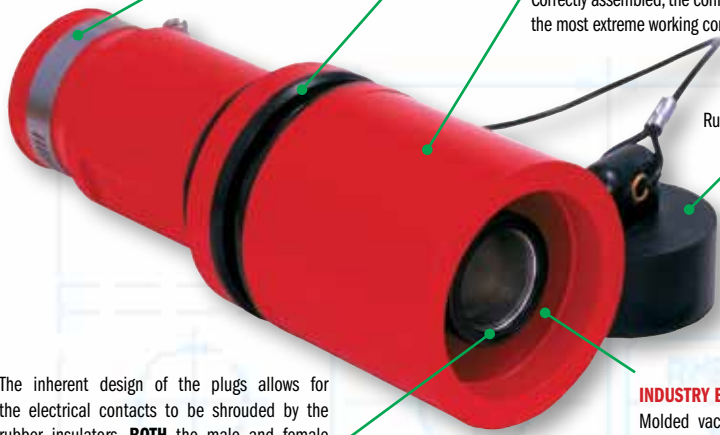
5/8 Stud & Pin Grounding Connection

Insulators

The rubber insulators can be bonded to the cables by vulcanization.

RMP® II Female Plugs

Stainless Steel Hose Clamp provided.



The inherent design of the plugs allows for the electrical contacts to be shrouded by the rubber insulators. **BOTH** the male and female have a Patented Dead Front end to help protect operators from shock hazard. The plugs are rated at 1000 volts AC or DC with the ability to withstand intermittent surges up to 1,300 Amps.

INDUSTRY EXCLUSIVE

Locking ring is powder coated black to prevent unnecessary corrosion thus enhancing the life of the product.

INDUSTRY EXCLUSIVE

Rubber – Made with a Proprietary Synthetic Thermoset Rubber (not Thermoplastic) with “Self-Lubricating” technology. The insulators are resistant to oil, mud, sea water and petroleum products and are designed to provide weatherproof service in a variety of demanding environments. Correctly assembled, the connectors provide safe trouble-free operation in the most extreme working conditions.

Rubber cap included.

Stainless Steel Hose Clamp provided.

RMP® II Male Plugs



Rubber cap included.

INDUSTRY EXCLUSIVE

Molded vacuum release groove designed into all insulators which aids in assembly and disassembly of connectors while allowing NEMA 3R rated seal.

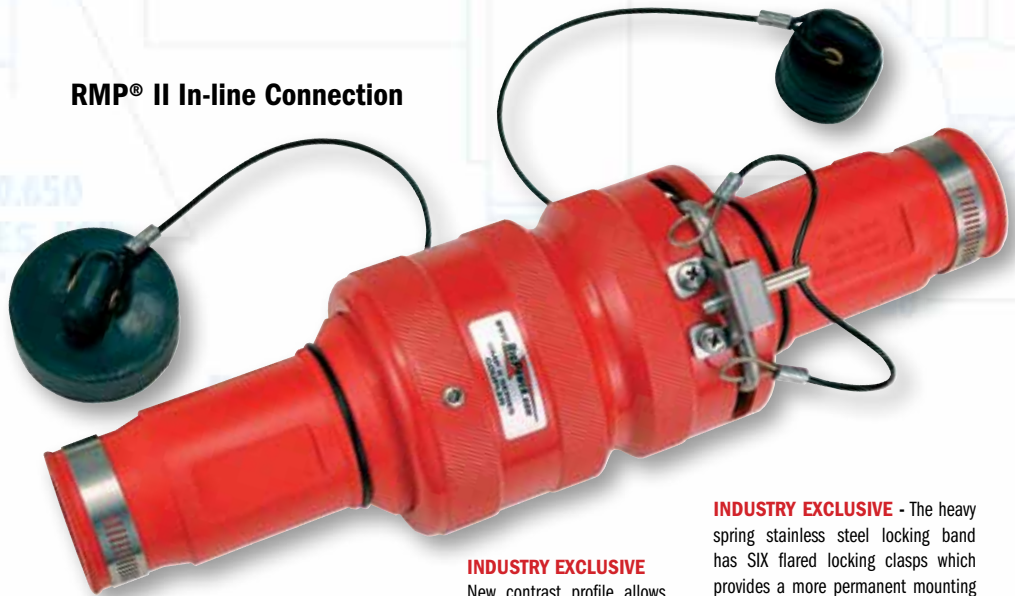
The inherent design of the plugs allows for the electrical contacts to be shrouded by the rubber insulators. **BOTH** the male and female have a Patented Dead Front end to help protect operators from shock hazard. The plugs are rated at 1000 volts AC or DC with the ability to withstand intermittent surges up to 1,300 Amps.

DT-002 RMP® II Plug Disassembly Tool

- The **ONLY** tool which allows easy field disassembly of male or female plugs.
- Allows field inspection of completed plugs for troubleshooting or for Quality Assurance inspections.
- Prevents damage to rubber insulator and injury to personnel.
- When tool is used properly, rubber insulator can be recovered for reuse.



RMP® II In-line Connection



INDUSTRY EXCLUSIVE

New contrast profile allows increased contact pressure with reduced insertion force (**U.S. patent pending**).

INDUSTRY EXCLUSIVE - The heavy spring stainless steel locking band has SIX flared locking clasps which provides a more permanent mounting connection. Competitive brands only provide four locking clasps.

INDUSTRY EXCLUSIVE - The heavy spring stainless steel locking band has SIX flared locking clasps which provides a more permanent mounting connection. Competitive brands only provide four locking clasps.

RMP® II Female Contacts

RMP® II Male Contacts



INDUSTRY EXCLUSIVE

Female Contact – Duplex Sn plated high conductivity copper with (**U.S. Patent No. 7,442,096**) Dead Front Delrin® Ring. Provides increased safety by helping to prevent accidental contact.

- Termination method is double crimp style for cable mounted plug.

INDUSTRY EXCLUSIVE

Male Contact – Duplex Sn plated high conductivity copper with (**U.S. Patent No. 7,442,096**) self adjusting contact force. Allows increased contact pressure and prevents collection of debris.

- Termination method is double crimp style for cable mounted plug.

RMP® II Bulkhead Mounted Coupler

The bulkhead Mounted Coupler is designed for locations where a closed back is desired on a panel mounted receptacle. When the inside of an enclosure is either exposed to high moisture or dirt levels, or where safe personnel access is required, the BMC provides the Bulkhead mounting of a standard RMP® II receptacle with the environmental sealing of an RMP® II series plug.



Four hex screws securely hold plug in place

Gasket and Safety Cap Provided

RMP® II Couplers

Machined copper-free aluminum alloy. Required when making In-line cable connections. Securely holds male and female plugs together when the mounting screws and "Snap Action" locking mechanism are engaged.

INDUSTRY EXCLUSIVE

RigPower designed "Snap Action" locking mechanism (located on each coupler) can withstand the most intensive vibration. Includes a safety pin and has a pull lanyard to disengage the mechanism easily.

INDUSTRY EXCLUSIVE

The RigPower RMP® II Coupler is more robust than other manufacturers' designs. The coupler has deeply knurled bands which allow for easy handling when mating plugs.

INDUSTRY EXCLUSIVE

Powdered Coated Color Coded In-line couplers for rapid phase identification and increased personnel safety.



INDUSTRY EXCLUSIVE

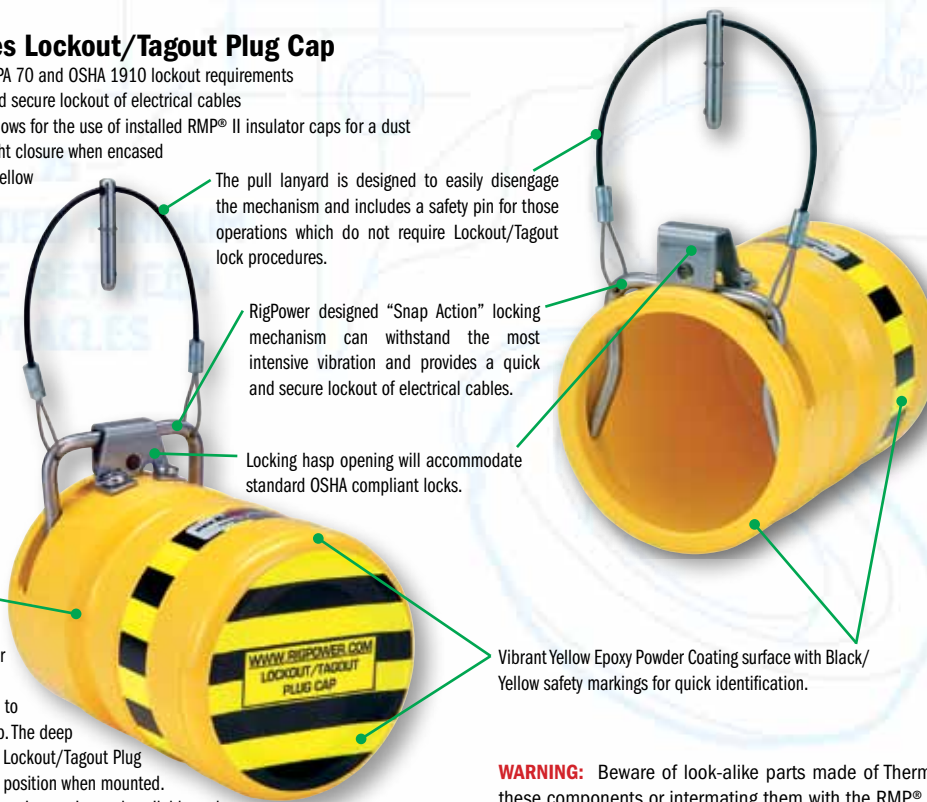
Channel Groove allows for permanent mounting of coupler to structure using a U-clip. Deep groove prevents coupler from vibrating out of location.

Available Colors



RMP® II Series Lockout/Tagout Plug Cap

- Complies with NFPA 70 and OSHA 1910 lockout requirements
- Provides quick and secure lockout of electrical cables
- The Safety Cap allows for the use of installed RMP® II insulator caps for a dust free and water tight closure when encased
- Available only in yellow



The pull lanyard is designed to easily disengage the mechanism and includes a safety pin for those operations which do not require Lockout/Tagout lock procedures.

RigPower designed "Snap Action" locking mechanism can withstand the most intensive vibration and provides a quick and secure lockout of electrical cables.

Locking hasp opening will accommodate standard OSHA compliant locks.

INDUSTRY EXCLUSIVE

Strategically positioned Channel Groove allows for permanent mounting of Lockout/Tagout Plug Cap to structure using a U-clip. The deep Channel Groove prevents Lockout/Tagout Plug Cap from vibrating out of position when mounted. Unique diameter of locking pin opening and available pad lock enhances safety. OSHA 1910 compliant.

Vibrant Yellow Epoxy Powder Coating surface with Black/Yellow safety markings for quick identification.



Pad Lock

- OSHA compliant locks available. Allows safe lock and tagout of receptacles and equipment. Individual and master key sets available. Sold in sets of five
- Can be used on Receptacles, In-line Couplers or Lockout/Tagout Plug Caps
- Available in ten (10) colors
 - LOS-X Five lock set - Individual Keys
 - LOM-X Five lock set - Individual Keys plus Master Key

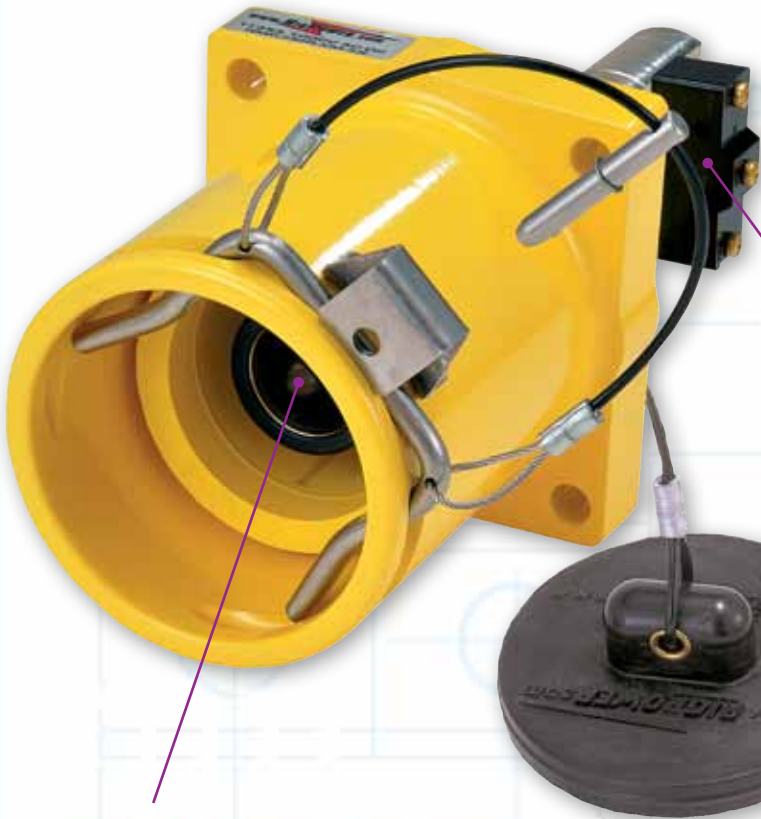
WARNING: Beware of look-alike parts made of Thermoplastic. We do not recommend the use of these components or intermingling them with the RMP® II product line. Look for the "RMP® SERIES" seal molded on all rubber products to ensure you received Genuine RigPower, LLC parts.

RMP® II Female Power Switch Receptacle

This latest addition to the RMP® II line of advanced single pole electrical connectors will allow remote indication of disconnected power cables and will provide protection from single phasing on sensitive VFD systems.

- The Female panel mount receptacle is equipped with a secondary switch to sense the presence of a connected male contact
- Available NO or NC contacts allow direct input to PLC logic for circuit isolation or control

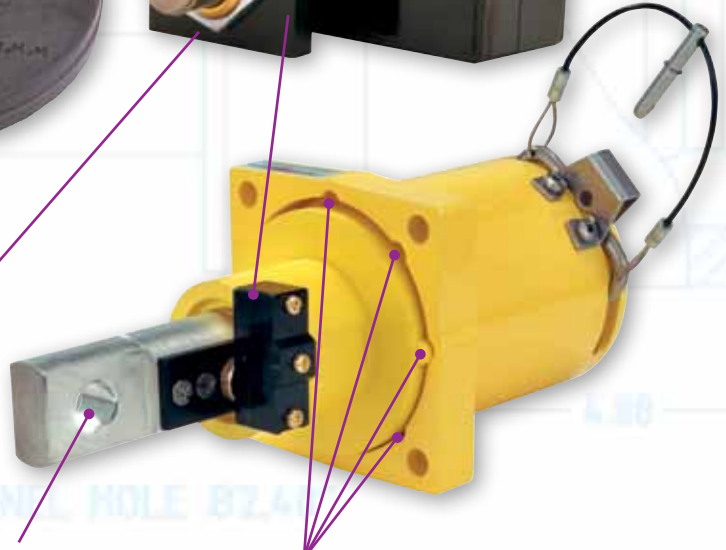
NOTE: The Power Switch offers additional safety features; however, it is not intrinsically safe and is not designed to disconnect under load. Do not use Power Switch receptacles for power supply as any failure in the safety circuit would allow the female contact to be energized.



Secondary switch senses the presence of a connected male contact.



Power Switch Receptacles are available with single hole buss bar style termination only.



Besides the traditional alignment of the receptacle buss bars, RMP® II Receptacle Housings offer four alignment cutouts which allows positioning of the buss bar at 45° left or 45° right to ease cable routing.

RMP® II Female Power Switch Internal

- The unit mounts in a standard RMP® II series housing and intermates with standard RMP® II series male cable ends
- The Power Switch connector is rated 900 amps at 1000 volts

Available Colors



30°-45° Reversible Locking Buss Bar Lug

The 30° or 45° Reversible Buss Bar Lug was created by RigPower to help eliminate the long bend radius that is inherent when using standard single or double hole crimp lugs. Compared to current single hole lugs, the Reversible Buss Bar Lug gives you mounting options no one else can. The lug's shoulder rests securely on the buss bar, preventing any rotation that may be caused from the weight of the cable tension or from equipment vibration. Reducing the bend radius provides for additional work space behind the SCR house panel and other panel mounted areas.

- Termination method is double crimp style
- Crimping locators are designed into the base for ease of installation
- Uses the same crimping die sets as the RigPower "RMP® II, Secure Mount®, Safe Stab®, MCC-1, VFD-1®, HP20 and MC20" series connectors
- Made from Duplex Sn plated high conductivity copper



RMP® II SERIES PARTS LIST

RMP® II PANEL MOUNT RECEPTACLES

POWER SWITCH

RECEPTACLE HOUSINGS

BULKHEAD MOUNTED COUPLER

Color	Single Hole Male	Double Hole Male	Single Hole Female	Double Hole Female	Female Power Switch	Part #	Part #
Black	RMP-PMR-1M-BK	RMP-PMR-2M-BK	RMP-PMR-1F-BK	RMP-PMR-2F-BK	RMP-PMR-FPS-BK	RMP-PMR-BK	RMP-BMC-BK
Blue	RMP-PMR-1M-BL	RMP-PMR-2M-BL	RMP-PMR-1F-BL	RMP-PMR-2F-BL	RMP-PMR-FPS-BL	RMP-PMR-BL	RMP-BMC-BL
Brown	RMP-PMR-1M-BR	RMP-PMR-2M-BR	RMP-PMR-1F-BR	RMP-PMR-2F-BR	RMP-PMR-FPS-BR	RMP-PMR-BR	RMP-BMC-BR
Green	RMP-PMR-1M-G	RMP-PMR-2M-G	RMP-PMR-1F-G	RMP-PMR-2F-G	RMP-PMR-FPS-G	RMP-PMR-G	RMP-BMC-G
Gray	RMP-PMR-1M-GY	RMP-PMR-2M-GY	RMP-PMR-1F-GY	RMP-PMR-2F-GY	RMP-PMR-FPS-GY	RMP-PMR-GY	RMP-BMC-GY
Orange	RMP-PMR-1M-OR	RMP-PMR-2M-OR	RMP-PMR-1F-OR	RMP-PMR-2F-OR	RMP-PMR-FPS-OR	RMP-PMR-OR	RMP-BMC-OR
Purple	RMP-PMR-1M-P	RMP-PMR-2M-P	RMP-PMR-1F-P	RMP-PMR-2F-P	RMP-PMR-FPS-P	RMP-PMR-P	RMP-BMC-P
Red	RMP-PMR-1M-R	RMP-PMR-2M-R	RMP-PMR-1F-R	RMP-PMR-2F-R	RMP-PMR-FPS-R	RMP-PMR-R	RMP-BMC-R
White	RMP-PMR-1M-W	RMP-PMR-2M-W	RMP-PMR-1F-W	RMP-PMR-2F-W	RMP-PMR-FPS-W	RMP-PMR-W	RMP-BMC-W
Yellow	RMP-PMR-1M-Y	RMP-PMR-2M-Y	RMP-PMR-1F-Y	RMP-PMR-2F-Y	RMP-PMR-FPS-Y	RMP-PMR-Y	RMP-BMC-Y

RMP® II Cable End Assemblies - MALE PLUGS

Color	4/0 Contact	262 Contact	313 Contact	373 Contact	444 Contact	535 Contact	646 Contact	777 Contact
Black	RMP-CMP-4/0M-BK	RMP-CMP-262M-BK	RMP-CMP-3M-BK	RMP-CMP-373M-BK	RMP-CMP-4M-BK	RMP-CMP-5M-BK	RMP-CMP-6M-BK	RMP-CMP-7M-BK
Blue	RMP-CMP-4/0M-BL	RMP-CMP-262M-BL	RMP-CMP-3M-BL	RMP-CMP-373M-BL	RMP-CMP-4M-BL	RMP-CMP-5M-BL	RMP-CMP-6M-BL	RMP-CMP-7M-BL
Brown	RMP-CMP-4/0M-BR	RMP-CMP-262M-BR	RMP-CMP-3M-BR	RMP-CMP-373M-BR	RMP-CMP-4M-BR	RMP-CMP-5M-BR	RMP-CMP-6M-BR	RMP-CMP-7M-BR
Green	RMP-CMP-4/0M-G	RMP-CMP-262M-G	RMP-CMP-3M-G	RMP-CMP-373M-G	RMP-CMP-4M-G	RMP-CMP-5M-G	RMP-CMP-6M-G	RMP-CMP-7M-G
Gray	RMP-CMP-4/0M-GY	RMP-CMP-262M-GY	RMP-CMP-3M-GY	RMP-CMP-373M-GY	RMP-CMP-4M-GY	RMP-CMP-5M-GY	RMP-CMP-6M-GY	RMP-CMP-7M-GY
Orange	RMP-CMP-4/0M-OR	RMP-CMP-262M-OR	RMP-CMP-3M-OR	RMP-CMP-373M-OR	RMP-CMP-4M-OR	RMP-CMP-5M-OR	RMP-CMP-6M-OR	RMP-CMP-7M-OR
Purple	RMP-CMP-4/0M-P	RMP-CMP-262M-P	RMP-CMP-3M-P	RMP-CMP-373M-P	RMP-CMP-4M-P	RMP-CMP-5M-P	RMP-CMP-6M-P	RMP-CMP-7M-P
Red	RMP-CMP-4/0M-R	RMP-CMP-262M-R	RMP-CMP-3M-R	RMP-CMP-373M-R	RMP-CMP-4M-R	RMP-CMP-5M-R	RMP-CMP-6M-R	RMP-CMP-7M-R
White	RMP-CMP-4/0M-W	RMP-CMP-262M-W	RMP-CMP-3M-W	RMP-CMP-373M-W	RMP-CMP-4M-W	RMP-CMP-5M-W	RMP-CMP-6M-W	RMP-CMP-7M-W
Yellow	RMP-CMP-4/0M-Y	RMP-CMP-262M-Y	RMP-CMP-3M-Y	RMP-CMP-373M-Y	RMP-CMP-4M-Y	RMP-CMP-5M-Y	RMP-CMP-6M-Y	RMP-CMP-7M-Y

RMP® II Cable End Assemblies - FEMALE PLUGS

Color	4/0 Contact	262 Contact	313 Contact	373 Contact	444 Contact	535 Contact	646 Contact	777 Contact
Black	RMP-CMP-4/0F-BK	RMP-CMP-262M-BK	RMP-CMP-3F-BK	RMP-CMP-373F-BK	RMP-CMP-4F-BK	RMP-CMP-5F-BK	RMP-CMP-6F-BK	RMP-CMP-7F-BK
Blue	RMP-CMP-4/0F-BL	RMP-CMP-262M-BL	RMP-CMP-3F-BL	RMP-CMP-373F-BL	RMP-CMP-4F-BL	RMP-CMP-5F-BL	RMP-CMP-6F-BL	RMP-CMP-7F-BL
Brown	RMP-CMP-4/0F-BR	RMP-CMP-262M-BR	RMP-CMP-3F-BR	RMP-CMP-373F-BR	RMP-CMP-4F-BR	RMP-CMP-5F-BR	RMP-CMP-6F-BR	RMP-CMP-7F-BR
Green	RMP-CMP-4/0F-G	RMP-CMP-262M-G	RMP-CMP-3F-G	RMP-CMP-373F-G	RMP-CMP-4F-G	RMP-CMP-5F-G	RMP-CMP-6F-G	RMP-CMP-7F-G
Gray	RMP-CMP-4/0F-GY	RMP-CMP-262M-GY	RMP-CMP-3F-GY	RMP-CMP-373F-GY	RMP-CMP-4F-GY	RMP-CMP-5F-GY	RMP-CMP-6F-GY	RMP-CMP-7F-GY
Orange	RMP-CMP-4/0F-OR	RMP-CMP-262M-OR	RMP-CMP-3F-OR	RMP-CMP-373F-OR	RMP-CMP-4F-OR	RMP-CMP-5F-OR	RMP-CMP-6F-OR	RMP-CMP-7F-OR
Purple	RMP-CMP-4/0F-P	RMP-CMP-262M-P	RMP-CMP-3F-P	RMP-CMP-373F-P	RMP-CMP-4F-P	RMP-CMP-5F-P	RMP-CMP-6F-P	RMP-CMP-7F-P
Red	RMP-CMP-4/0F-R	RMP-CMP-262M-R	RMP-CMP-3F-R	RMP-CMP-373F-R	RMP-CMP-4F-R	RMP-CMP-5F-R	RMP-CMP-6F-R	RMP-CMP-7F-R
White	RMP-CMP-4/0F-W	RMP-CMP-262M-W	RMP-CMP-3F-W	RMP-CMP-373F-W	RMP-CMP-4F-W	RMP-CMP-5F-W	RMP-CMP-6F-W	RMP-CMP-7F-W
Yellow	RMP-CMP-4/0F-Y	RMP-CMP-262M-Y	RMP-CMP-3F-Y	RMP-CMP-373F-Y	RMP-CMP-4F-Y	RMP-CMP-5F-Y	RMP-CMP-6F-Y	RMP-CMP-7F-Y

RMP® II INSULATORS

Color	Male Insulators	Female Insulators
Black	RMP-CMP-M-BK	RMP-CMP-F-BK
Blue	RMP-CMP-M-BL	RMP-CMP-F-BL
Brown	RMP-CMP-M-BR	RMP-CMP-F-BR
Green	RMP-CMP-M-G	RMP-CMP-F-G
Gray	RMP-CMP-M-GY	RMP-CMP-F-GY
Orange	RMP-CMP-M-OR	RMP-CMP-F-OR
Purple	RMP-CMP-M-P	RMP-CMP-F-P
Red	RMP-CMP-M-R	RMP-CMP-F-R
White	RMP-CMP-M-W	RMP-CMP-F-W
Yellow	RMP-CMP-M-Y	RMP-CMP-F-Y

30° - 45° REVERSIBLE LOCKING BUSS BAR LUGS

Part #	Part Description
SL-535-AL	535 MCM 30°/45° Reversible Locking Buss Bar Lug
SL-646-AL	646 MCM 30°/45° Reversible Locking Buss Bar Lug
SL-777-AL	777 MCM 30°/45° Reversible Locking Buss Bar Lug

DOUBLE HOLE LUGS

Part #	Part Description
QS-535-L	535 MCM Double Hole Lug
QS-646-L	646 MCM Double Hole Lug
QS-777-L	777 MCM Double Hole Lug

GROUNDING RECEPTACLES AND PLUGS

Part #	Part Description
RMP-FGP-#4	Female Flange Mounted Grounding Plug
RMP-MGR	Male Flange Mounted Grounding Receptacle
RMP-FGR	Female Grounding Receptacle for 5/8 Stud
RMP-MGP-#4	Male Grounding Pin for 5/8 Stud

RMP® II COUPLERS

Part #
RMP-CMR-BK
RMP-CMR-BL
RMP-CMR-BR
RMP-CMR-G
RMP-CMR-GY
RMP-CMR-OR
RMP-CMR-P
RMP-CMR-R
RMP-CMR-W
RMP-CMR-Y
RMP-CMR-AL

RMP® II CONTACTS

Cable Size	MALE Contacts Part #		FEMALE Contacts Part #	
	Part #	Part #	Part #	Part #
4/0 MCM Through 777 MCM	RMP-C-4/0M	RMP-C-4/0F	RMP-C-262M	RMP-C-262F
	RMP-C-3M	RMP-C-3F	RMP-C-373M	RMP-C-373F
	RMP-C-4M	RMP-C-4F	RMP-C-5M	RMP-C-5F
	RMP-C-6M	RMP-C-6F	RMP-C-7M	RMP-C-7F

RMP® II ACCESSORIES

Color	Part #	Part Description
Yellow Only	RMP-LOC-Y	Lockout / Tagout Plug Cap
X = Color	RMP-LOS-X	Single Pad Lock
X = Color	RMP-LOM-X	Master Pad Lock
	DT-002	Insulator Disassemble Tool

X = Black-BK, Blue-BL, Brown-BR, Green-G, Gray-GY, Orange-OR, Purple-P, Red-R, White-W, Yellow-Y

Double Hole Lug

The industry's most robust Lug. Machined from solid copper bar stock.

- Termination method is double crimp style
- Crimping locators are designed into the base for ease of installation
- Uses the same crimping die sets as the RigPower RMP®II, Secure Mount®, Safe Stab®, MCC-1 and VFD-1® series connectors

30° - 45° Reversible Locking Buss Bar Lug

The 30° or 45° Reversible Buss Bar Lug was created by RigPower to help eliminate the long bend radius that is inherent when using standard single or double hole crimp lugs.

- Termination method is double crimp style
- Crimping locators are designed into the base for ease of installation
- Uses the same crimping die sets as the RigPower RMP®II, Secure Mount®, Safe Stab®, MCC-1 and VFD-1® series connectors
- Made from Duplex Sn plated high conductivity copper



The "RMP® II" Series:

- The Industry Standard For High-Amperage Power Connectors
- RMP® II Technology Provides Superior Product Design Features

Single Pole High-Amperage Connectors for Use on Land Based and Off-Shore Drilling Rigs and Other High-Amperage Power Generation Applications
For Use With Single Conductor Cables 4/0 MCM to 777 MCM

If You Want The Very Best Single Pole Electrical Connectors
Demand Genuine RIGPOWER, LLC Electrical Parts

Look for these other fine products from RigPower, LLC:

The Secure Mount® Series, Safe Stab®, Quick Stab Series®, Quad Stab, VFD-1® Series, MCC-1 Series, HP20 Series, MC20 Series and The Phase-Lock® Sequential Locking System



RIGPOWER, LLC
Creating New Industry Standards

10345 South Perdue Avenue
Baton Rouge, Louisiana 70814 USA
phone: (225) 272-8800
fax: (225) 272-8830
www.rigpower.com

