

CONCENTRIC TWINAX/TRIAX CONNECTORS AND CONTACTS





Sabritec offers a full line of triaxial interconnect products including concentric twinax/triax connectors, contacts, and cable assemblies.

NDL Connectors

The triax connector line features our ultraminiature NDL connector in both the NDL-T, threaded version, and the NDL-Q, quick disconnect version. The series includes straight and right angle cable mount and PCB mount connectors, in-series and between series adapters, as well as coax/triax transitional adapters, bulkhead receptacles and cable-bus terminators. The cable mount connectors are designed for numerous Sabritec low-loss twinaxial cables and concentric triaxial cables available in a variety of impedance values. These cables are designed for all types of data-bus and video interconnect systems including MIL-STD-1553B, ARINC 429, 100 Base-T Ethernet, high speed video hot-link and Fibre Channel data links.



NDL Triaxial Connectors

Concentric Twinax/Triax Contacts

Sabritec's extensive triax contact series fit standard MIL-DTL-38999 series size 8, 10, & 12 contact cavities, d-sub size 8, and ARINC size 1, 5, 8, 9 & 12 standard rack & panel connector cavities and MIL-DTL-83527 size 8 cavities. Sabritec offers Qualified Product List (QPL) triax contacts under specifications MIL-C-39029/90-529 and MIL-C-39029/91-530. These rugged, blind mate triaxial contacts have the same outline dimensions as standard coax and power contacts and fit in the same cavities of standard connector types and insert arrangements. Sabritec's triaxial contact line also includes a high speed differential impedance size 8 concentric triax contact for MIL-DTL-38999 and ARINC 600 connectors.



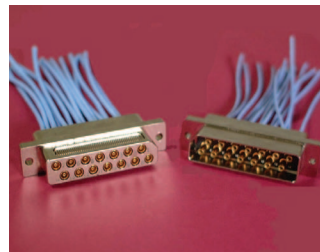
Triaxial Contacts

High Differential Pair Impedance Contacts

Sabritec's high differential impedance triax contacts are designed for ARINC 600 and MIL-DTL-38999 connectors. These contacts are available in 60, 75 and 85 ohm differential pair characteristic impedance for ARINC 600 and 60 ohm differential pair characteristic impedance for MIL-DTL-38999 connectors.

Rugged Multiway D-Sub Connectors

Sabritec's rugged d-subminiature connectors are designed to ground the outer shield of a triax contact directly to the shell of the connector. A multi-finger ground spring, fixed around the triax shell, provides a multi-point contact engagement for superior EMI shielding resulting in extremely low contact resistance when measured from the triax contact outer body to the connector flange.



Rugged D-Sub Connectors

Triaxial Cable Assemblies

Sabritec manufactures complete triaxial cable assemblies and data-bus harness networks. Cables, connectors and contacts can be combined into a variety of configurations for today's data-bus networking or high-speed video interconnect requirements.

Sabritec does not offer standard QPL slash sheet part #'s for multipin circular and rack & panel connectors. Our connectors are fully intermateable with all slash sheet part #'s.

TRIAX CONNECTORS
QUICK RELEASE
NDL-Q
Pg 124

TRIAX CONNECTORS
THREADED
NDL-T
Pg. 130

TRIAX CONTACTS
MIL-DTL-38999
Pg 137

TRIAX CONTACTS
MIL-DTL-24308
Pg 140

TRIAX CONTACTS
ARINC 600
Pg 142

TRIAX CONTACTS
MIL-DTL-83527
Pg 144

TRIAX CONTACTS
ARINC 404
Pg 144

HIGH DIFFERENTIAL
IMPEDANCE
CONTACTS
Pg 147

MULTI-WAY TRIAX
CONNECTORS
Pg 151

BLINDMATE & PCB MOUNT
CONNECTORS
Pg 154

CABLE ASSEMBLY ORDERING
Pg 156

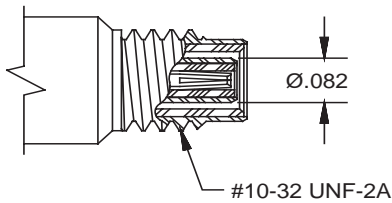
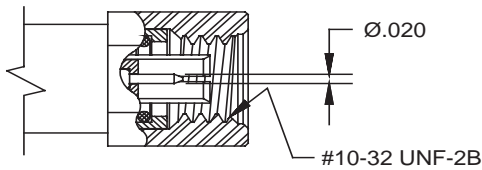
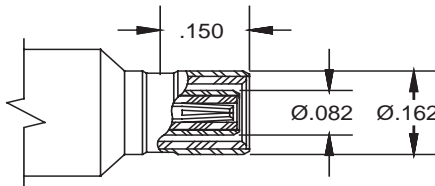
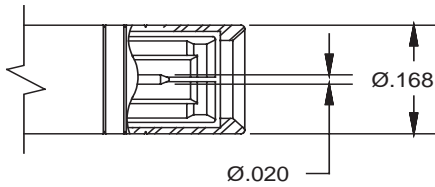
Triax Connectors



NDL ULTRAMINIATURE TRIAXIAL CONNECTORS

CONNECTOR SPECIFICATIONS

INTERFACE DIMENSIONS

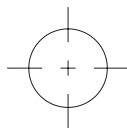


CONNECTOR TYPES Actual O.D. Size

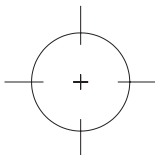
NDL



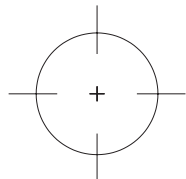
TTM/TRS



TRT/TRB



TRC/TTC



ELECTRICAL SPECIFICATIONS

Dielectric Withstanding Voltage	Center contact to intermediate contact: 1000 Vrms min Intermediate contact to outer contact: 400 Vrms min.
Insulation Resistance	5000 Megohms min Center contact to intermediate contact: 250 VDC Intermediate contact to outer contact: 125 Vrms
Contact Current Rating	1.5 Amps D.C., max
RF Hi Potential Withstanding Voltage	Center contact to intermediate contact: 500 Vrms @ 5 MHz Intermediate contact to outer contact: 125 Vrms @ 5 MHz
Corona Level @ 70,000 Ft.	Center contact to intermediate contact: 125 VAC
Permeability	2.0 max.
Risetime Degradation (Mated Pair)	800 ps @ 1 MHz

MECHANICAL & ENVIRONMENTAL SPECIFICATIONS

Temperature Rating	-65° to +165°C
Corrosion	MIL-STD-202 Method 101, Test Condition B
Shock	MIL-STD-202 Method 213, Test Condition B
Vibration	MIL-STD-202 Method 204, Test Condition B
Thermal Shock	MIL-STD-202 Method 107, Test Condition B
Durability	1000 Mate/Unmate cycles per min
Coupling Nut Torque (NDL-T) Recommended:	2.3 in-lbs min.
Proof Torque	7.0 in-lbs
Mating Torque (NDL-T)	2.5 in-lbs
Engagement Disengagement Force (NDL-Q)	3.0 lbs min.

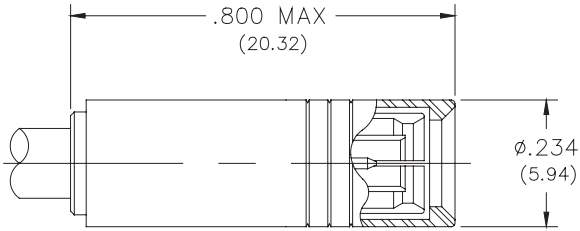
MATERIALS & FINISHES

Contacts	Beryllium copper per ASTM-B196, alloy UNS C17200 or leaded nickel copper, alloy UNS C19150, Condition H Gold plated per ASTM-B488, Type III, Class 1.25
Insulators	PTFE per ASTM -D 1710
Shells	Brass per ASTM-B16, alloy UNS C36000 or Beryllium copper per ASTM-B196 Gold plated per ASTM-B488, Type III, Class 1.25
O-Ring (NDL-T)	Silicone rubber per A-A-59588

All specifications subject to change without notice.

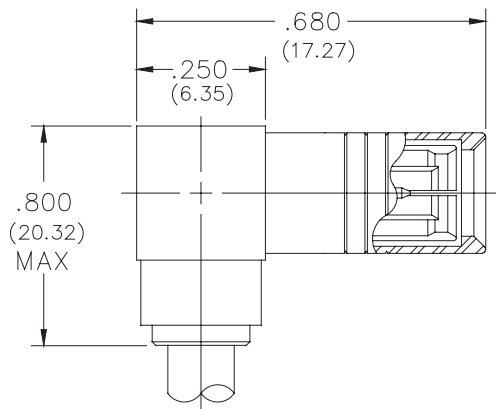


NDL-Q Cable Plug



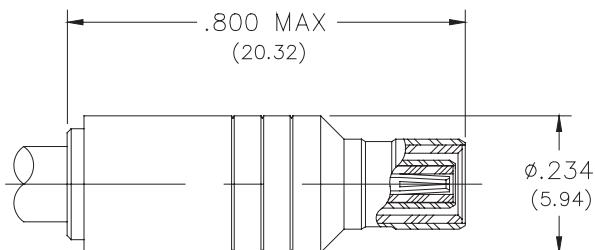
Part Number	Cable Type	Cable
016028-2000	Flexible Twinax	M17/176-00002
016028-2012	Flexible Twinax	540-1086-000
016028-2013	Flexible Triax	RG-403
016028-2014	Flexible Triax	540-1050-000
016028-2015	Semi-Rigid Triax	UT 141-50-50
016028-2030	Semi-Rigid Triax	UT 141-50-22
016028-2031	Flexible Triax	540-1081-000
016028-2032	Flexible Triax	540-1091-000

NDL-Q Right Angle Cable Plug



Part Number	Cable Type	Cable
016028-1001	Flexible Twinax	M17/176-00002
016028-1012	Flexible Twinax	540-1086-000
016028-1013	Flexible Triax	RG-403
016028-1014	Flexible Triax	540-1050-000
016028-1015	Semi-Rigid Triax	UT 141-50-50
016028-1030	Semi-Rigid Triax	UT 141-50-22
016028-1031	Flexible Triax	540-1081-000
016028-1032	Flexible Triax	540-1091-000

NDL-Q Cable Jack

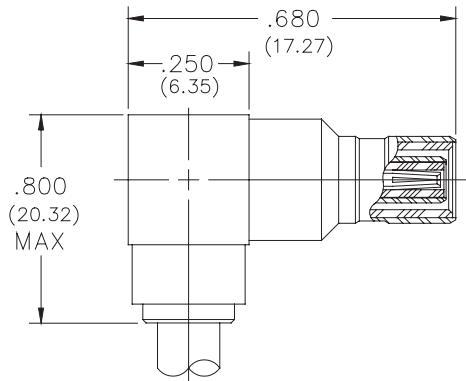


Part Number	Cable Type	Cable
016128-2001	Flexible Twinax	M17/176-00002
016128-2012	Flexible Twinax	540-1086-000
016128-2013	Flexible Triax	RG-403
016128-2014	Flexible Triax	540-1050-000
016128-2015	Semi-Rigid Triax	UT 141-50-50
016128-2030	Semi-Rigid Triax	UT 141-50-22
016128-2031	Flexible Triax	540-1081-000
016128-2032	Flexible Triax	540-1091-000

See Page 156 for Cable Ordering Information

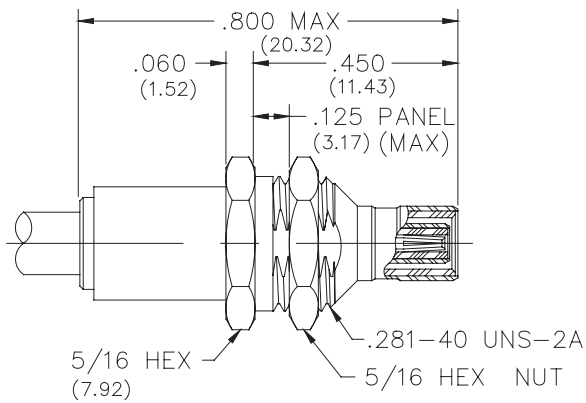


NDL-Q Right Angle Cable Jack



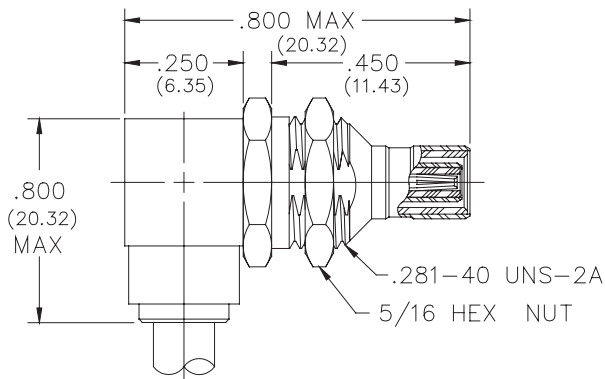
Part Number	Cable Type	Cable
016128-1001	Flexible Twinax	M17/176-00002
016128-1002	Flexible Twinax	540-1086-000
016128-1003	Flexible Triax	RG-403
016128-1004	Flexible Triax	540-1050-000
016128-1005	Semi-Rigid Triax	UT 141-50-50
016128-1030	Semi-Rigid Triax	UT 141-50-22
016128-1031	Flexible Triax	540-1081-000
016128-1032	Flexible Triax	540-1091-000

NDL-Q Bulkhead Cable Jack



Part Number	Cable Type	Cable
016128-5000	Flexible Twinax	M17/176-00002
016128-5012	Flexible Twinax	540-1086-000
016128-5013	Flexible Triax	RG-403
016128-5014	Flexible Triax	540-1050-000
016128-5015	Semi-Rigid Triax	UT 141-50-50
016128-5030	Semi-Rigid Triax	UT 141-50-22
016128-5031	Flexible Triax	540-1081-000
016128-5032	Flexible Triax	540-1091-000

NDL-Q Right Angle Bulkhead Cable Jack



Part Number	Cable Type	Cable
016128-1101	Flexible Twinax	M17/176-00002
016128-1102	Flexible Twinax	540-1086-000
016128-1103	Flexible Triax	RG-403
016128-1104	Flexible Triax	540-1050-000
016128-1105	Semi-Rigid Triax	UT 141-50-50
016128-1130	Semi-Rigid Triax	UT 141-50-22
016128-1131	Flexible Triax	540-1081-000
016128-1132	Flexible Triax	540-1091-000

See Page 156 for Cable Ordering Information

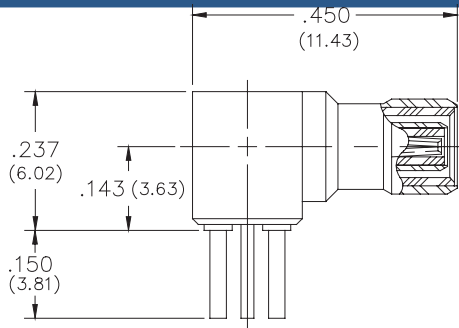




NDL-Q

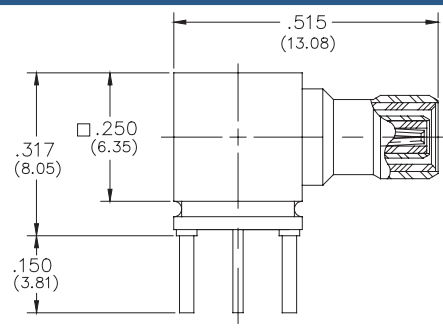
PCB MOUNT CONNECTORS

NDL-Q Right Angle PCB Jack



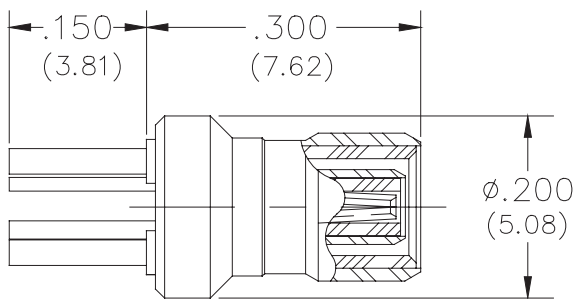
P/N 016100-1001
Mounting for .100 Centers

NDL-Q Right Angle PCB Jack



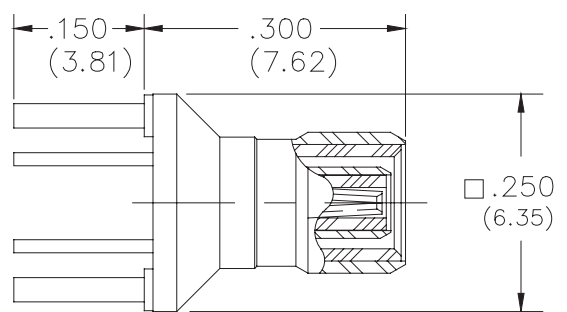
P/N 016100-1002
Mounting for .200 Centers

NDL-Q Straight PCB Jack



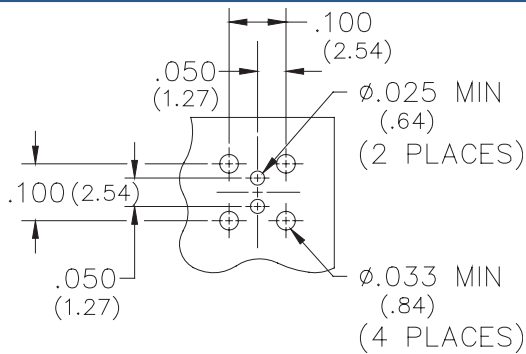
P/N 016100-3000
Mounting for .100 Centers

NDL-Q Straight PCB Jack



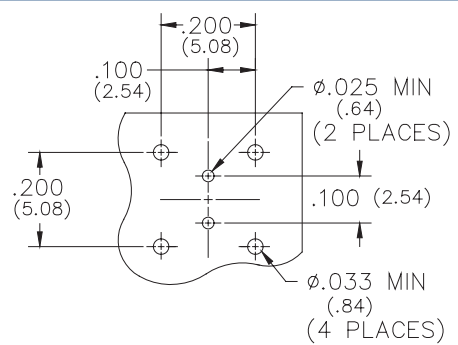
P/N 016100-3002
Mounting for .200 Centers

Mounting for PCB Connectors



PCB Pattern for .100 Centers

Mounting for PCB Connectors



PCB Pattern for .200 Centers

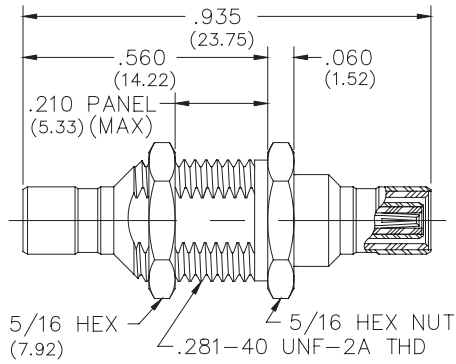




NDL-Q

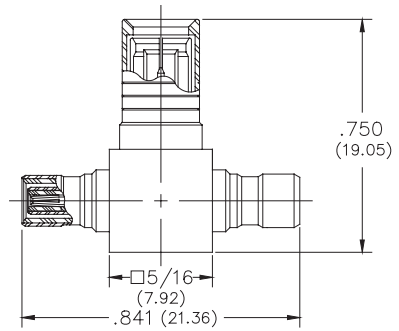
IN-SERIES ADAPTERS

NDL-Q Feed-Thru Jack Adapter



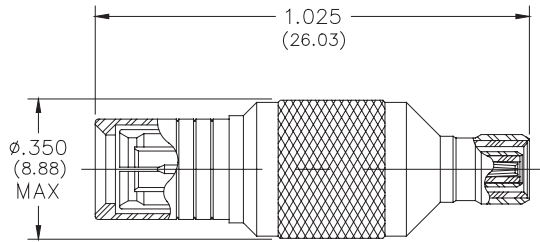
P/N 016100-5004

NDL-Q "Tee" Adapter



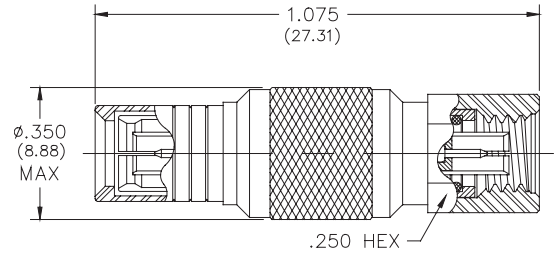
P/N 016000-4000

NDL-Q Plug to NDL-Q Jack



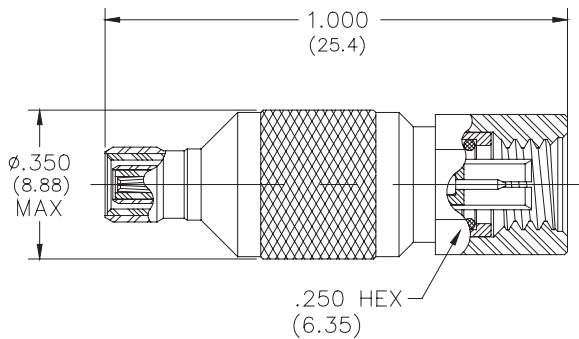
P/N 016000-4001

NDL-Q Plug to NDL-T Plug



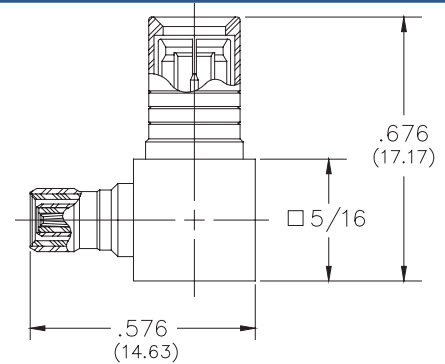
P/N 016000-4007

NDL-Q Jack to NDL-T Plug



P/N 016100-4001

NDL-Q Right Angle Plug to NDL-Q Jack



P/N 016000-1000

Triax Connectors

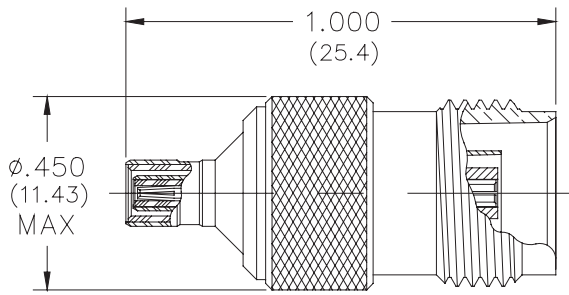




NDL-Q

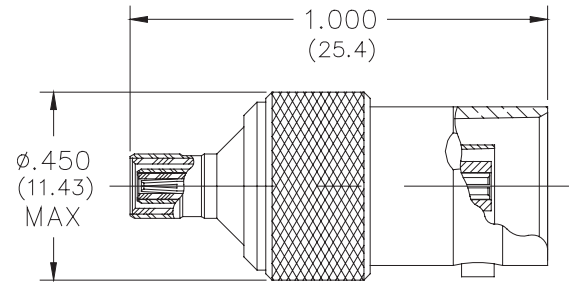
BETWEEN SERIES ADAPTERS

NDL-Q Jack to TRT Jack



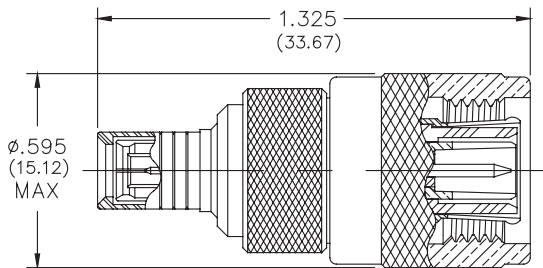
P/N 016100-4002

NDL-Q Jack to TRB Jack



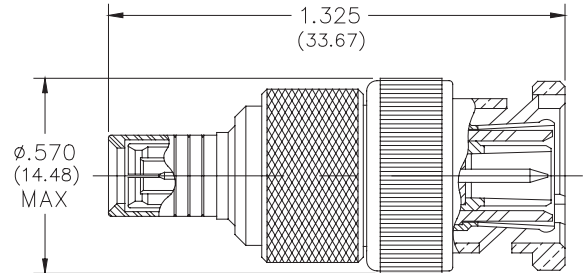
P/N 016100-4003

NDL-Q Plug to TRT Plug



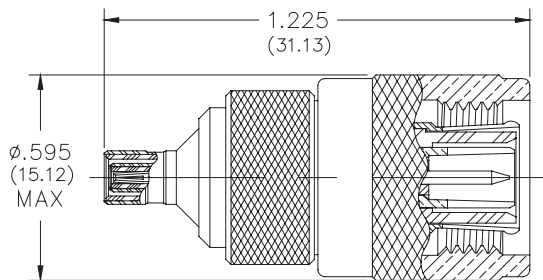
P/N 016000-4003

NDL-Q Plug to TRB Plug



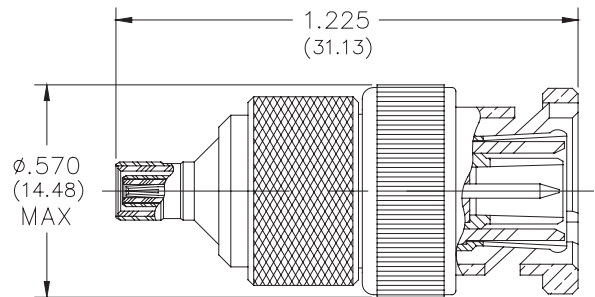
P/N 016000-4004

NDL-Q Jack to TRT Plug



P/N 016100-4004

NDL-Q Jack to TRB Plug



P/N 016100-4005

Triax Connectors

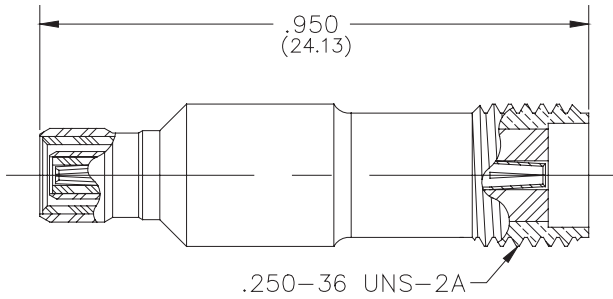




NDL-Q

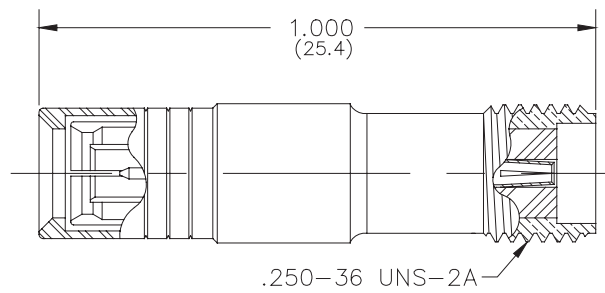
ULTRAMINIATURE TRIAXIAL CONNECTORS

NDL-Q Jack to SMA Jack



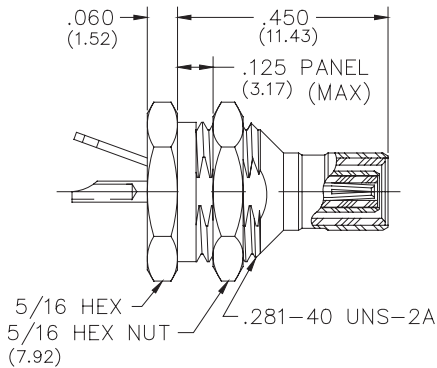
P/N 016100-4010

NDL-Q Plug to SMA Jack



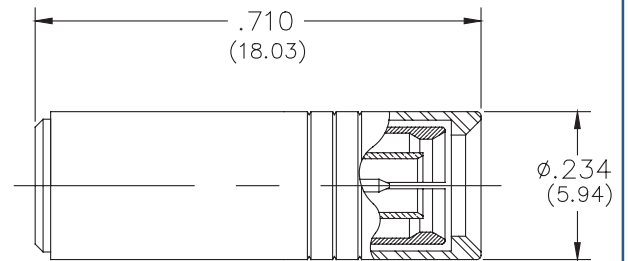
P/N 016000-4010

NDL-Q Bulkhead Jack



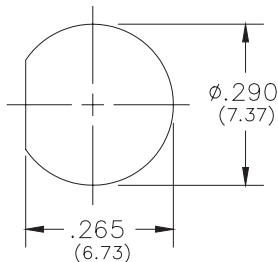
P/N 016100-5001

NDL-Q 75 Ohm Terminator

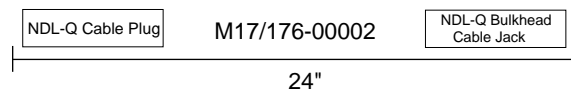
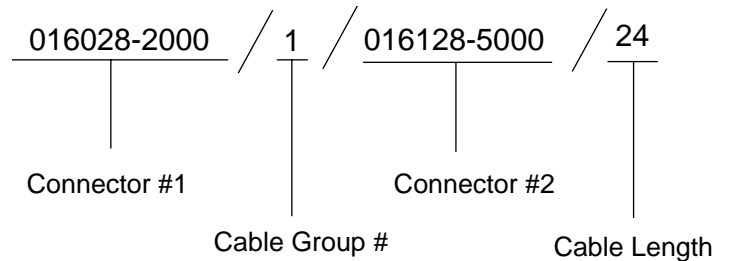


P/N 016000-0000

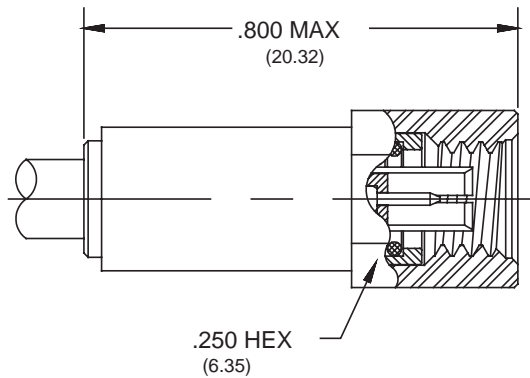
MOUNTING D-HOLE CONFIGURATION



NDL-Q CABLE ASSEMBLY ORDERING INFORMATION

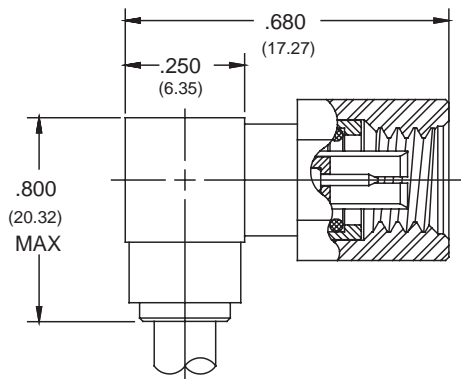


NDL-T Cable Plug



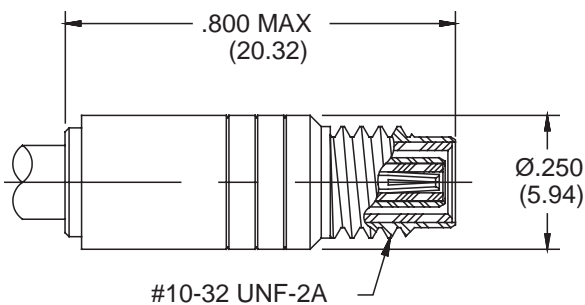
Part Number	Cable Type	Cable
015028-2000	Flexible Twinax	M17/176-00002
015028-2012	Flexible Twinax	540-1086-000
015028-2013	Flexible Triax	RG-403
015028-2014	Flexible Triax	540-1050-000
015028-2015	Semi-Rigid Triax	UT 141-50-50
015028-2030	Semi-Rigid Triax	UT 141-50-22
015028-2031	Flexible Triax	540-1081-000
015028-2032	Flexible Triax	540-1091-000

NDL-T Right Angle Cable Plug



Part Number	Cable Type	Cable
015028-1001	Flexible Twinax	M17/176-00002
015028-1012	Flexible Twinax	540-1086-000
015028-1013	Flexible Triax	RG-403
015028-1014	Flexible Triax	540-1050-000
015028-1015	Semi-Rigid Triax	UT 141-50-50
015028-1030	Semi-Rigid Triax	UT 141-50-22
015028-1031	Flexible Triax	540-1081-000
015028-1032	Flexible Triax	540-1091-000

NDL-T Cable Jack



Part Number	Cable Type	Cable
015112-2001	Flexible Twinax	M17/176-00002
015112-2012	Flexible Twinax	540-1086-000
015112-2013	Flexible Triax	RG-403
015112-2014	Flexible Triax	540-1050-000
015112-2015	Semi-Rigid Triax	UT 141-50-50
015112-2030	Semi-Rigid Triax	UT 141-50-22
015112-2031	Flexible Triax	540-1081-000
015112-2032	Flexible Triax	540-1091-000

See Page 156 for Cable Ordering Information

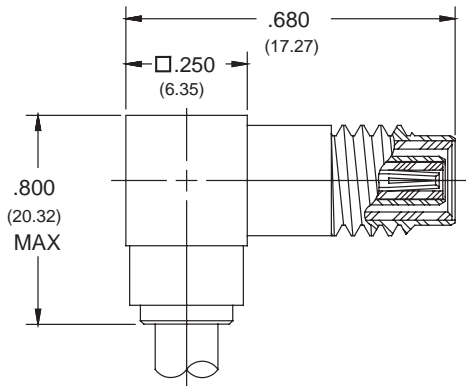




NDL-T

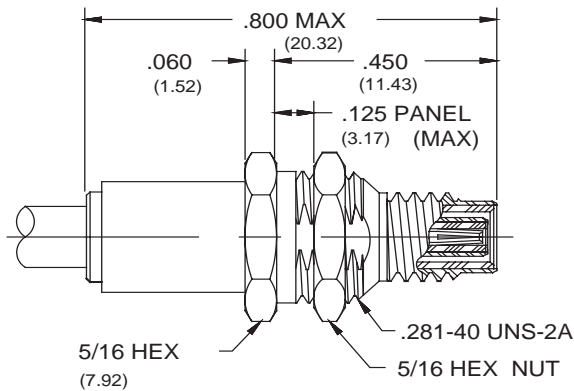
CABLE TYPE CONNECTORS

NDL-T Right Angle Cable Jack



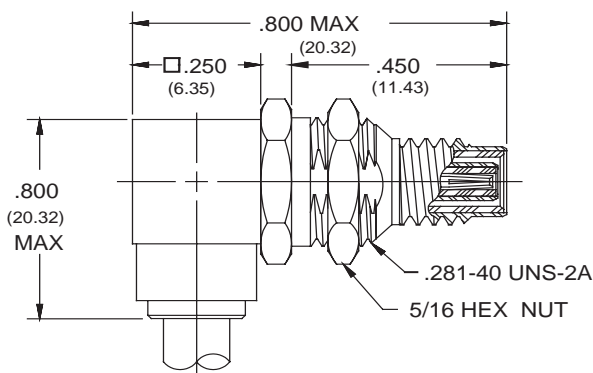
Part Number	Cable Type	Cable
015112-1001	Flexible Twinax	M17/176-00002
015112-1012	Flexible Twinax	540-1086-000
015112-1013	Flexible Triax	RG-403
015112-1014	Flexible Triax	540-1050-000
015112-1015	Semi-Rigid Triax	UT 141-50-50
015112-1030	Semi-Rigid Triax	UT 141-50-22
015112-1031	Flexible Triax	540-1081-000
015112-1032	Flexible Triax	540-1091-000

NDL-T Bulkhead Cable Jack



Part Number	Cable Type	Cable
015112-5000	Flexible Twinax	M17/176-00002
015112-5012	Flexible Twinax	540-1086-000
015112-5013	Flexible Triax	RG-403
015112-5014	Flexible Triax	540-1050-000
015112-5015	Semi-Rigid Triax	UT 141-50-50
015112-5030	Semi-Rigid Triax	UT 141-50-22
015112-5031	Flexible Triax	540-1081-000
015112-5032	Flexible Triax	540-1091-000

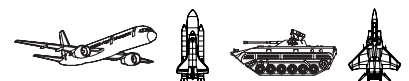
NDL-T Right Angle Bulkhead Cable Jack



Part Number	Cable Type	Cable
015112-1101	Flexible Twinax	M17/176-00002
015112-1102	Flexible Twinax	540-1086-000
015112-1103	Flexible Triax	RG-403
015112-1104	Flexible Triax	540-1050-000
015112-1105	Semi-Rigid Triax	UT 141-50-50
015112-1130	Semi-Rigid Triax	UT 141-50-22
015112-1131	Flexible Triax	540-1081-000
015112-1132	Flexible Triax	540-1091-000

Triax Connectors

See Page 156 for Cable Ordering Information

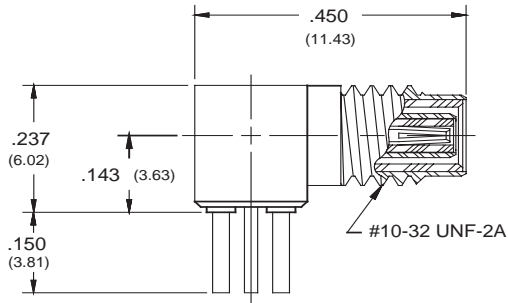




NDL-T

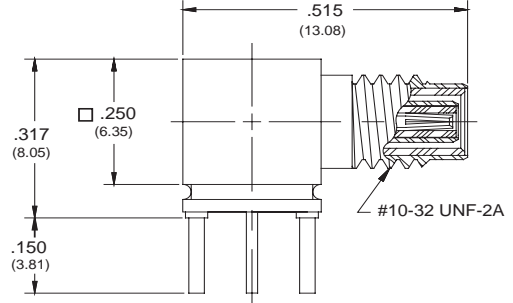
PCB MOUNT CONNECTORS

NDL-T Right Angle PCB Jack



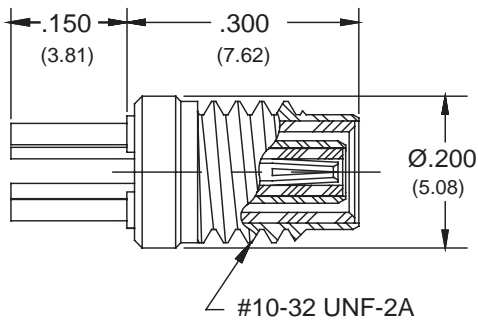
P/N 015100-1011
Mounting for .100 Centers

NDL-T Right Angle PCB Jack



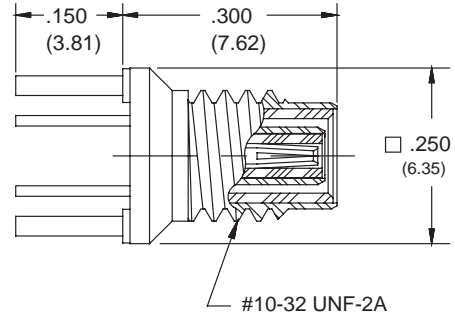
P/N 015100-1012
Mounting for .200 Centers

NDL-T Straight PCB Jack



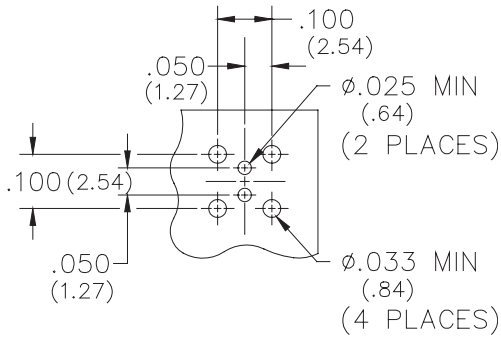
P/N 015100-3010
Mounting for .100 Centers

NDL-T Straight PCB Jack



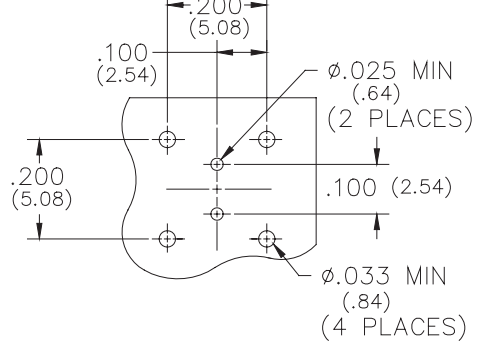
P/N 015100-3012
Mounting for .200 Centers

Mounting for PCB Connectors

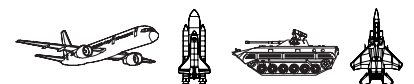


PCB Pattern for .100 Centers

Mounting for PCB Connectors



PCB Pattern for .200 Centers

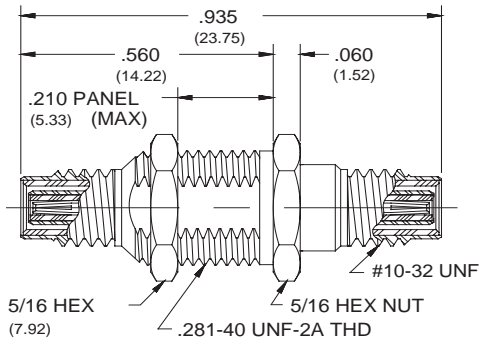




NDL-T

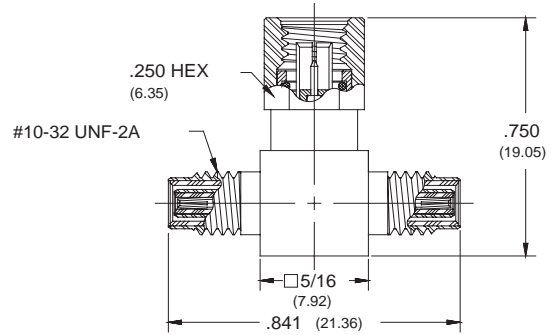
IN-SERIES ADAPTERS

NDL-T Feed-Thru Jack Adapter



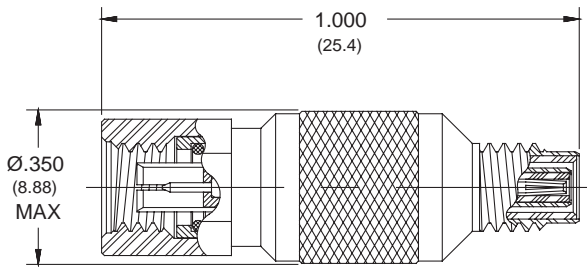
P/N 015100-5024

NDL-T "Tee" Adapter



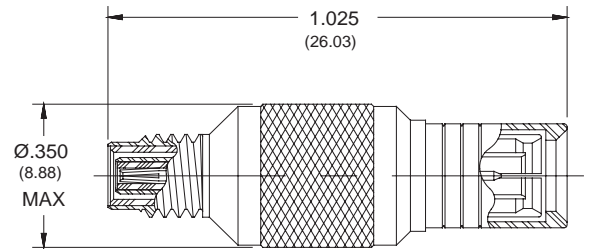
P/N 015000-4020

NDL-T Plug to NDL-T Jack



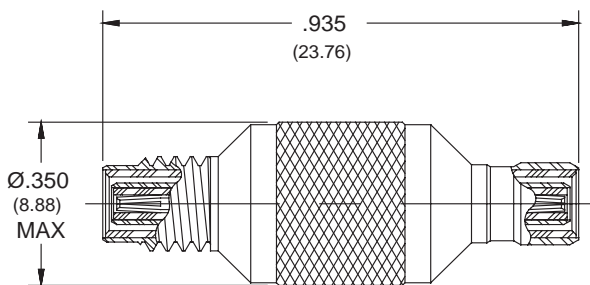
P/N 015000-4023

NDL-T Jack to NDL-Q Plug



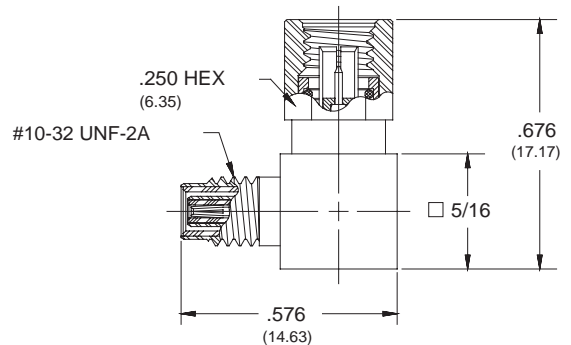
P/N 015100-4015

NDL-T Jack to NDL-Q Jack



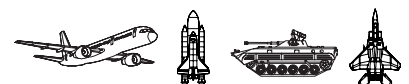
P/N 015100-4016

NDL-T Right Angle Plug to NDL-T Jack



P/N 015000-1001

Triax Connectors

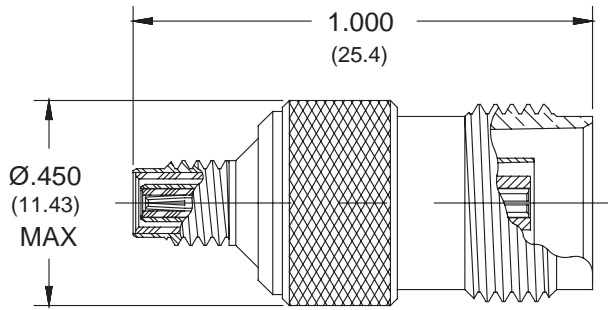




NDL-T

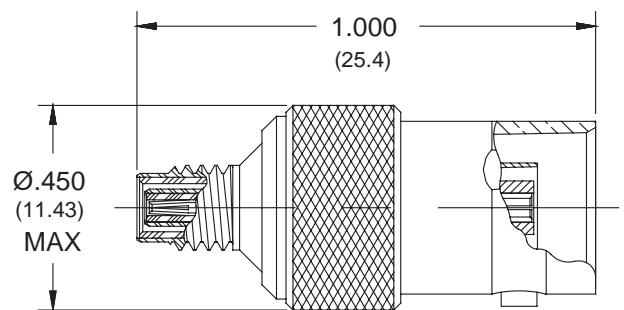
BETWEEN SERIES ADAPTERS

NDL-T Jack to TRT Jack



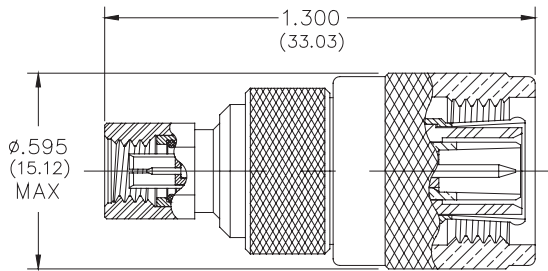
P/N 015100-4011

NDL-T Jack to TRB Jack



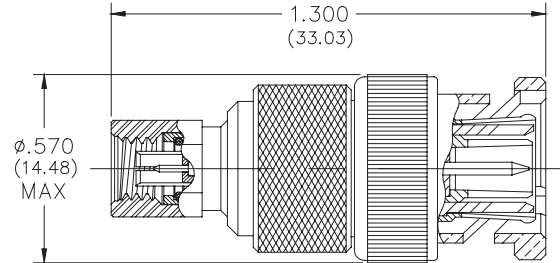
P/N 015100-4012

NDL-T Plug to TRT Plug



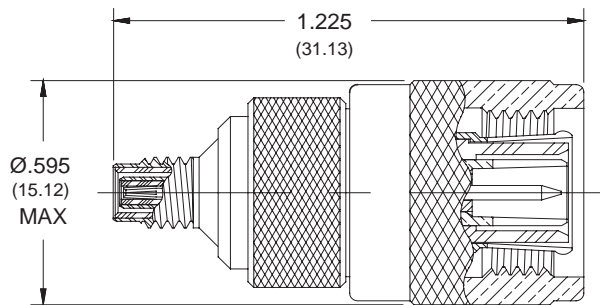
P/N 015000-4004

NDL-T Plug to TRB Plug



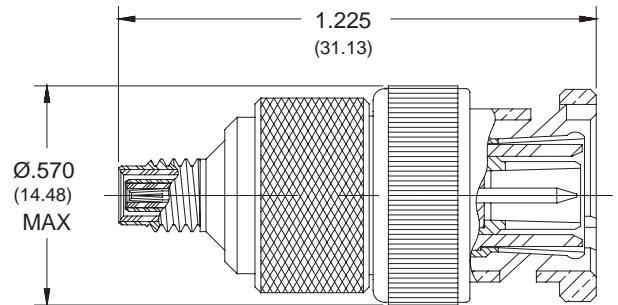
P/N 015000-4005

NDL-T Jack to TRT Plug

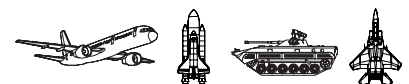


P/N 015100-4013

NDL-T Jack to TRB Plug



P/N 015100-4014

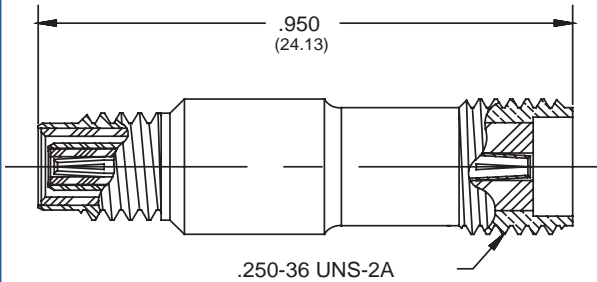




NDL-T

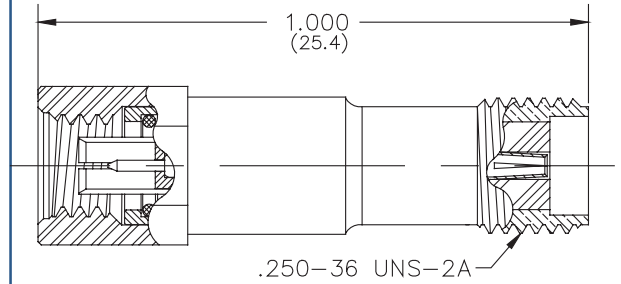
ULTRAMINIATURE TRIAXIAL CONNECTORS

NDL-T Jack to SMA Jack



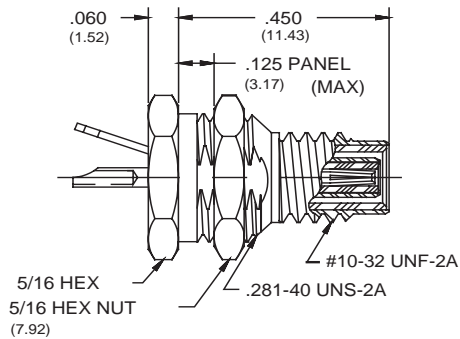
P/N 015100-4017

NDL-T Plug to SMA Jack



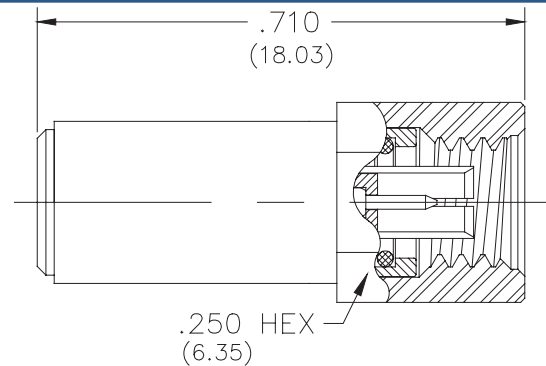
P/N 015000-4010

NDL-T Bulkhead Jack



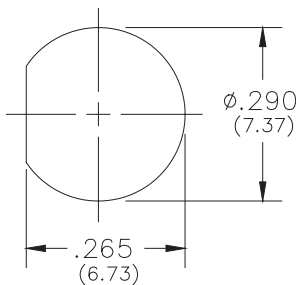
P/N 015100-5025

NDL-T 75-Ohm Terminator

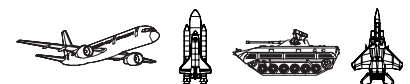
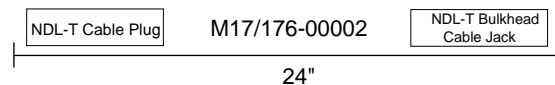
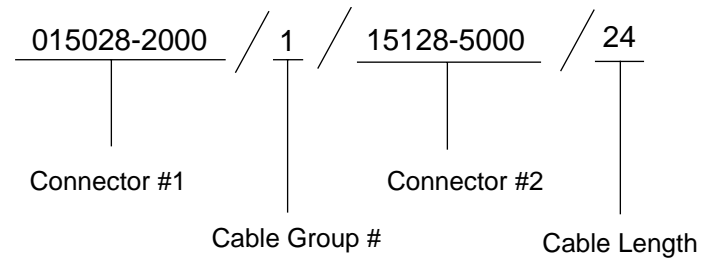


P/N 015000-0000

MOUNTING D-HOLE CONFIGURATION



NDL-T CABLE ASSEMBLY ORDERING INFORMATION





Triaxial Contact Series

Sabritec's concentric twinax/triax contacts provide flexibility in the design of high speed data systems. The contacts, including the unique sizes 10 and 12, have the same outline dimensions as traditional coax and power contacts and fit various insert arrangements for d-sub, circular, and rack and panel connectors. The triaxial cable type connectors and contacts are designed for low-loss concentric 50, 75 and 95 ohm cable types.

An innovative design of triax/twinax contacts opens a whole new world of design options. These small, rugged contacts fit standard connector contact cavities for MIL-DTL-38999, MIL-DTL-83527, ARINC, and d-sub connector types.

Sabritec also manufactures a complete line of stand-alone triax connectors including the ultraminiature NDL connector series as well as other specific application configurations.

FEATURES

- ◆ Fits standard MIL-DTL-38999 size 8, 10 & 12 contact cavities, MIL-DTL-83527 size 8, d-sub size 8, and ARINC size 1, 5, 8, 9 & 12 standard rack & panel connector cavities
- ◆ Designed for MIL-C-17/176 Data Bus networks and high speed Ethernet and Fibre Channel systems
- ◆ Suitable for high speed video applications, 50, 75 & 95 ohm impedances
- ◆ Upgrade coax harnesses to triax capability
- ◆ Small size for high density packaging
- ◆ Includes high speed Fibre Channel hot-link product line series

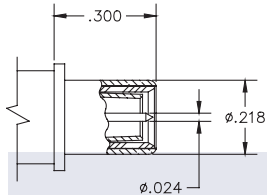
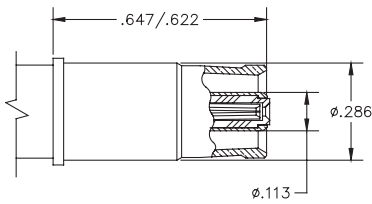




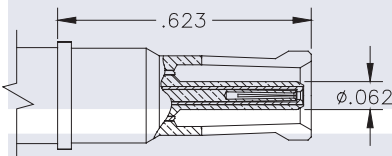
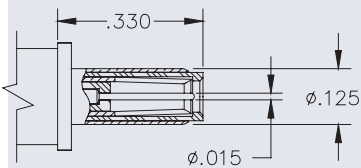
CONCENTRIC TWINAX/TRIAX CONTACTS

CONTACT SPECIFICATIONS

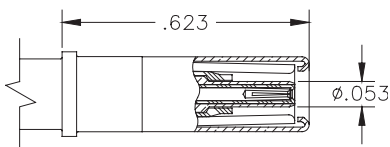
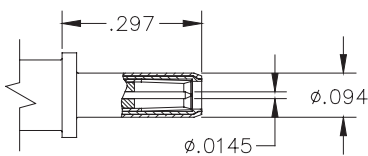
INTERFACE DIMENSIONS



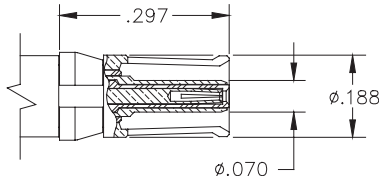
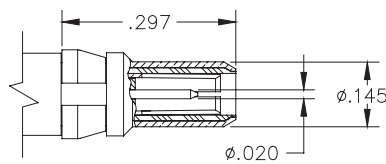
SIZE 8, MIL-C-39029/90 & /91



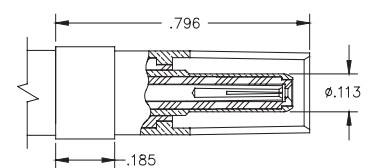
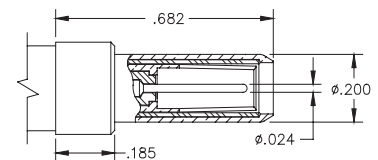
SIZE 10, MIL-DTL-38999



SIZE 12, MIL-DTL-38999



SIZE 8, MIL-PRF-24308



SIZE 9, MIL-C-81659 (ARINC 404)

ELECTRICAL SPECIFICATIONS

Dielectric Withstanding Voltage	Center contact to intermediate contact: 1000 Vrms min; Size 12: 500 Vrms min. Intermediate Contact to outer contact: 400 Vrms min.; Size 12: 200 Vrms min
Insulation Resistance	5000 Megohms min
Contact Current Rating	3.0 Amps D.C. max.; Size 12: 1.5 Amps D.C. max.
Voltage Rating	500 Vrms @ sea level; Size 12: 200 Vrms @ sea level

MECHANICAL & ENVIRONMENTAL SPECIFICATIONS

Temperature Rating	-65° to +165°C
Corrosion	MIL-STD-202 Method 101, Test Condition B
Shock	MIL-STD-202 Method 213, Test Condition B
Vibration	MIL-STD-202 Method 204, Test Condition B
Thermal Shock	MIL-STD-202 Method 107, Test Condition B
Durability	1000 Mate/Unmate cycles per min

MATERIALS & FINISHES

Insulators:	PTFE per ASTM -D 1710
Spring Contacts	Beryllium Copper per ASTM-B196, Alloy UNS C17300 or leaded nickel copper, Alloy UNS C19150, Condition H Gold plated per ASTM-B488, Type III, Class 1.25
Shells	Brass per ASTM-B16, Alloy UNS C36000 Gold plated per ASTM-B488, Type III, Class 1.25

Triax Connectors

All specifications subject to change without notice.

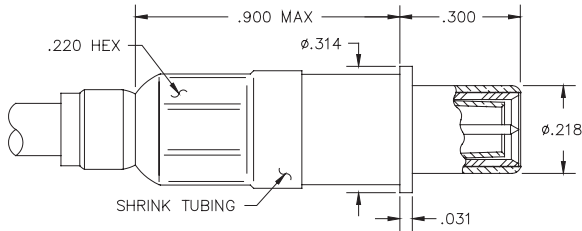




CONCENTRIC TWINAX/TRIAX CONTACTS

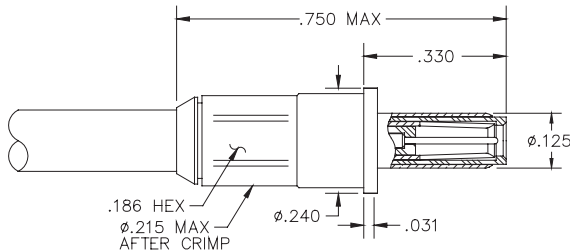
MIL-DTL-38999 Pin CONTACTS

Size 8 MIL-C-39029/90 Twinax/Triax Pin Contact



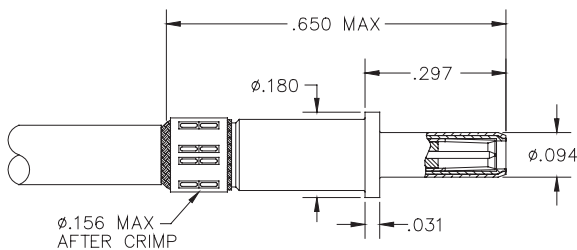
Part Number	Cable Type	Cable
019612-2001	Flexible Twinax	M17/176-00002
019612-2002	Flexible Twinax	540-1086-000
019612-2003	Flexible Triax	RG-403
019612-2004	Flexible Triax	540-1050-000
019612-2005	Semi-Rigid Triax	UT 141-50-50
019612-2030	Semi-Rigid Triax	UT 141-50-22
019612-2031	Flexible Triax	540-1081-000
019612-2032	Flexible Triax	540-1091-000

Size 10 MIL-DTL-38999 Twinax/Triax Pin Contact



Part Number	Cable Type	Cable
018812-2001	Flexible Twinax	M17/176-00002
018812-2002	Flexible Twinax	540-1086-000
018812-2003	Flexible Triax	RG-403
018812-2004	Flexible Triax	540-1050-000
018812-2005	Semi-Rigid Triax	UT 141-50-50
018812-2030	Semi-Rigid Triax	UT 141-50-22
018812-2031	Flexible Triax	540-1081-000
018812-2032	Flexible Triax	540-1091-000

Size 12 MIL-DTL-38999 Twinax/Triax Pin Contact



Part Number	Cable Type	Cable
018612-2001	Flexible Twinax	M17/176-00002
018612-2002	Flexible Twinax	540-1086-000
018612-2003	Flexible Triax	RG-403
018612-2004	Flexible Triax	540-1050-000
018612-2005	Semi-Rigid Triax	UT 141-50-50
018612-2040	Semi-Rigid Triax	UT 141-50-22
018612-2041	Flexible Triax	540-1081-000
018612-2042	Flexible Triax	540-1091-000

See Page 156 for Cable Ordering Information

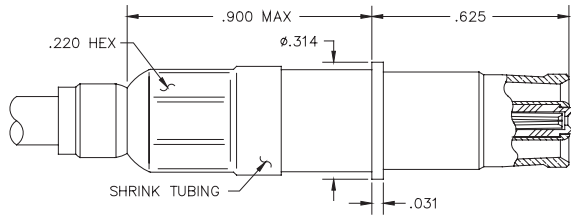




CONCENTRIC TWINAX/TRIAX CONTACTS

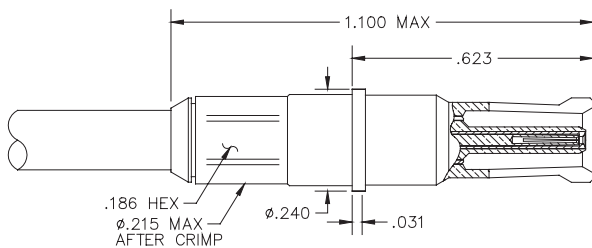
MIL-DTL-38999 SOCKET CONTACTS

Size 8 MIL-C-39029/91 Twinax/Triax Socket Contact



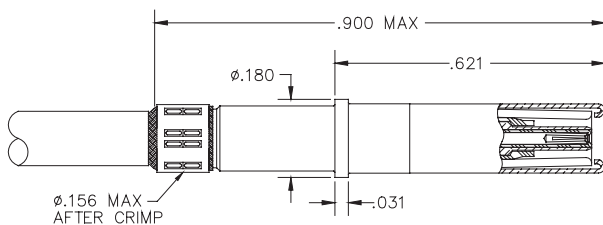
Part Number	Cable Type	Cable
019512-2001	Flexible Twinax	M17/176-00002
019512-2002	Flexible Twinax	540-1086-000
019512-2003	Flexible Triax	RG-403
019512-2004	Flexible Triax	540-1050-000
019512-2005	Semi-Rigid Triax	UT 141-50-50
019512-2030	Semi-Rigid Triax	UT 141-50-22
019512-2031	Flexible Triax	540-1081-000
019512-2032	Flexible Triax	540-1091-000

Size 10 MIL-DTL-38999 Twinax/Triax Socket Contact



Part Number	Cable Type	Cable
018912-2001	Flexible Twinax	M17/176-00002
018912-2002	Flexible Twinax	540-1086-000
018912-2003	Flexible Triax	RG-403
018912-2004	Flexible Triax	540-1050-000
018912-2005	Semi-Rigid Triax	UT 141-50-50
018912-2030	Semi-Rigid Triax	UT 141-50-22
018912-2031	Flexible Triax	540-1081-000
018912-2032	Flexible Triax	540-1091-000

Size 12 MIL-DTL-38999 Twinax/Triax Socket Contact



Part Number	Cable Type	Cable
018712-2001	Flexible Twinax	M17/176-00002
018712-2002	Flexible Twinax	540-1086-000
018712-2003	Flexible Triax	RG-403
018712-2004	Flexible Triax	540-1050-000
018712-2005	Semi-Rigid Triax	UT 141-50-50
018712-2040	Semi-Rigid Triax	UT 141-50-22
018712-2041	Flexible Triax	540-1081-000
018712-2042	Flexible Triax	540-1091-000

See Page 156 for Cable Ordering Information

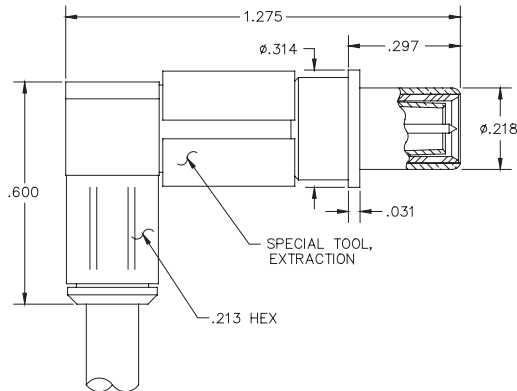




CONCENTRIC TWINAX/TRIAX CONTACTS

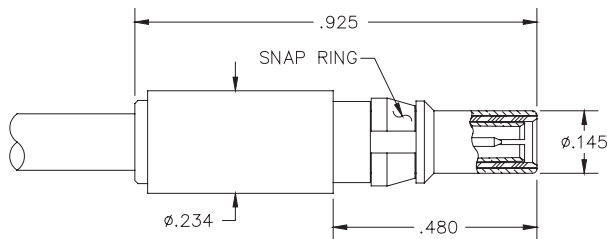
MIL-DTL-38999/MIL-PRF-24308 TWINAX/TRIAX PIN CONTACTS

Size 8 MIL-C-39029/90 Twinax/Triax Right Angle Pin Contact



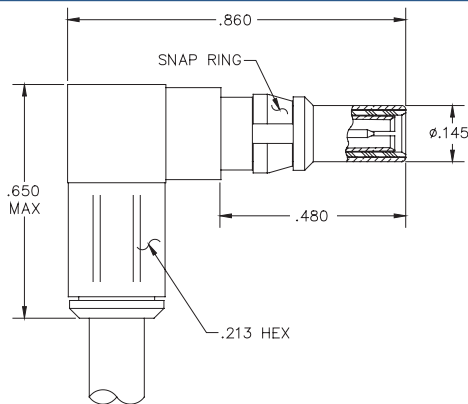
Part Number	Cable Type	Cable
019612-1010	Flexible Twinax	M17/176-00002
019612-1011	Flexible Twinax	540-1086-000
019612-1012	Flexible Triax	RG-403
019612-1013	Flexible Triax	540-1050-000
019612-1014	Semi-Rigid Triax	UT 141-50-50
019612-1015	Semi-Rigid Triax	UT 141-50-22
019612-1016	Flexible Triax	540-1081-000
019612-1017	Flexible Triax	540-1091-000

Size 8 MIL-PRF-24308 Twinax/Triax Pin Contact



Part Number	Cable Type	Cable
019812-2001	Flexible Twinax	M17/176-00002
019812-2002	Flexible Twinax	540-1086-000
019812-2003	Flexible Triax	RG-403
019812-2004	Flexible Triax	540-1050-000
019812-2005	Semi-Rigid Triax	UT 141-50-50
019812-2030	Semi-Rigid Triax	UT 141-50-22
019812-2031	Flexible Triax	540-1081-000
019812-2032	Flexible Triax	540-1091-000

Size 8 MIL-PRF-24308 Twinax/Triax Right Angle Pin Contact



Part Number	Cable Type	Cable
019812-1010	Flexible Twinax	M17/176-00002
019812-1011	Flexible Twinax	540-1086-000
019812-1012	Flexible Triax	RG-403
019812-1013	Flexible Triax	540-1050-000
019812-1014	Semi-Rigid Triax	UT 141-50-50
019812-1015	Semi-Rigid Triax	UT 141-50-22
019812-1016	Flexible Triax	540-1081-000
019812-1017	Flexible Triax	540-1091-000

See Page 156 for Cable Ordering Information

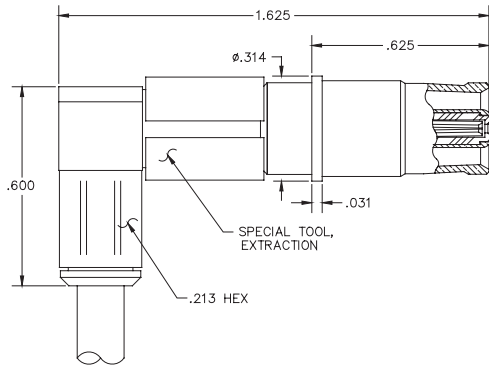




CONCENTRIC TWINAX/TRIAX CONTACTS

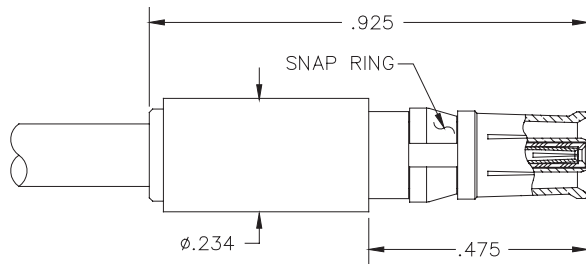
MIL-DTL-38999/MIL-PRF-24308 TWINAX/TRIAX SOCKET CONTACTS

Size 8 MIL-C-39029/91 Twinax/Triax Right Angle Socket Contact



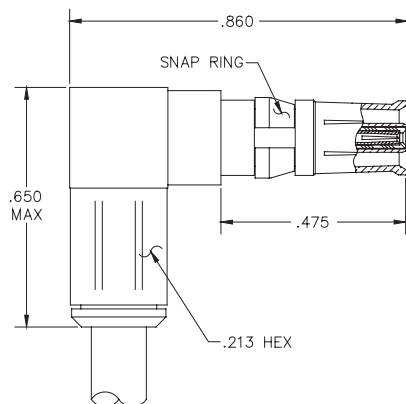
Part Number	Cable Type	Cable
019512-1010	Flexible Twinax	M17/176-00002
019512-1011	Flexible Twinax	540-1086-000
019512-1012	Flexible Triax	RG-403
019512-1013	Flexible Triax	540-1050-000
019512-1014	Semi-Rigid Triax	UT 141-50-50
019512-1015	Semi-Rigid Triax	UT 141-50-22
019512-1016	Flexible Triax	540-1081-000
019512-1017	Flexible Triax	540-1091-000

Size 8 MIL-PRF-24308 Twinax/Triax Socket Contact



Part Number	Cable Type	Cable
019712-2001	Flexible Twinax	M17/176-00002
019712-2002	Flexible Twinax	540-1086-000
019712-2003	Flexible Triax	RG-403
019712-2004	Flexible Triax	540-1050-000
019712-2005	Semi-Rigid Triax	UT 141-50-50
019712-2030	Semi-Rigid Triax	UT 141-50-22
019712-2031	Flexible Triax	540-1081-000
019712-2032	Flexible Triax	540-1091-000

Size 8 MIL-PRF-24308 Twinax/Triax Right Angle Socket Contact



Part Number	Cable Type	Cable
019712-1010	Flexible Twinax	M17/176-00002
019712-1011	Flexible Twinax	540-1086-000
019712-1012	Flexible Triax	RG-403
019712-1013	Flexible Triax	540-1050-000
019712-1014	Semi-Rigid Triax	UT 141-50-50
019712-1015	Semi-Rigid Triax	UT 141-50-22
019712-1016	Flexible Triax	540-1081-000
019712-1017	Flexible Triax	540-1091-000

See Page 156 for Cable Ordering Information

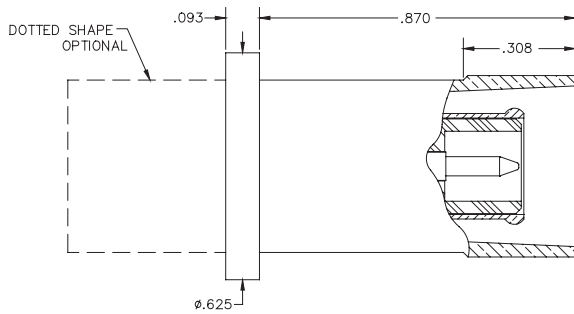




CONCENTRIC TWINAX/TRIAX CONTACTS

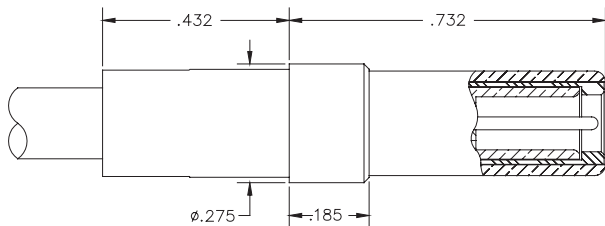
ARINC 600 Pin Contacts

Size 1 ARINC 600 Twinax/Triax Pin Contact



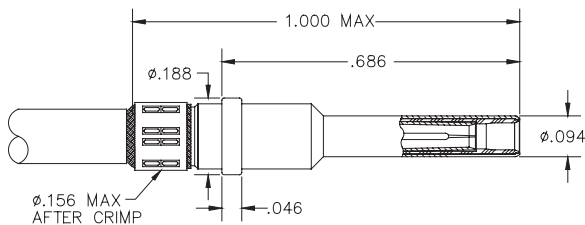
Part Number	Cable Type	Cable
018012-2110	Flexible Twinax	M17/176-00002
018012-2111	Flexible Twinax	540-1086-000
018012-2112	Flexible Triax	RG-403
018012-2113	Flexible Triax	540-1050-000
018012-2114	Flexible Triax	540-1081-000
018012-2115	Flexible Triax	540-1091-000

Size 5 ARINC 600 Twinax/Triax Pin Contact



Part Number	Cable Type	Cable
019412-2110	Flexible Twinax	M17/176-00002
019412-2111	Flexible Twinax	540-1086-000
019412-2112	Flexible Triax	RG-403
019412-2113	Flexible Triax	540-1050-000
019412-2114	Semi-Rigid Triax	UT 141-50-50
019412-2115	Semi-Rigid Triax	UT 141-50-22
019412-2116	Flexible Triax	540-1081-000
019412-2117	Flexible Triax	540-1091-000

Size 12 ARINC 600 Twinax/Triax Pin Contact



Part Number	Cable Type	Cable
018612-2110	Flexible Twinax	M17/176-00002
018612-2111	Flexible Twinax	540-1086-000
018612-2112	Flexible Triax	RG-403
018612-2113	Flexible Triax	540-1050-000
018612-2114	Semi-Rigid Triax	UT 141-50-50
018612-2115	Semi-Rigid Triax	UT 141-50-22
018612-2116	Flexible Triax	540-1081-000
018612-2117	Flexible Triax	540-1091-000

See Page 156 for Cable Ordering Information

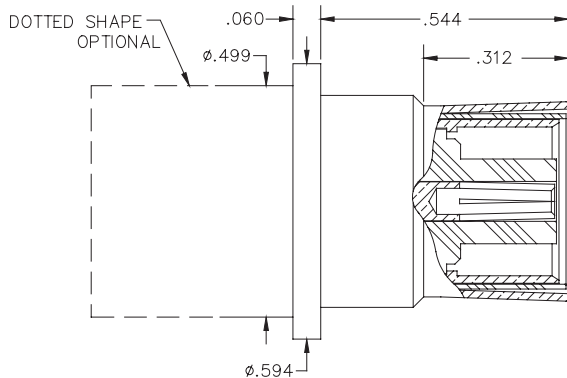




CONCENTRIC TWINAX/TRIAX CONTACTS

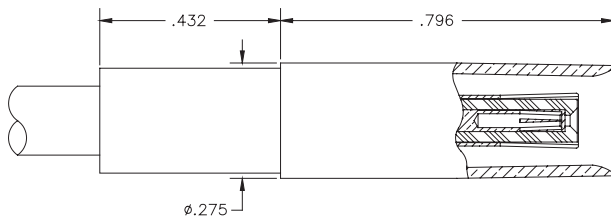
ARINC 600 Socket Contacts

Size 1 ARINC 600 Twinax/Triax Socket Contact



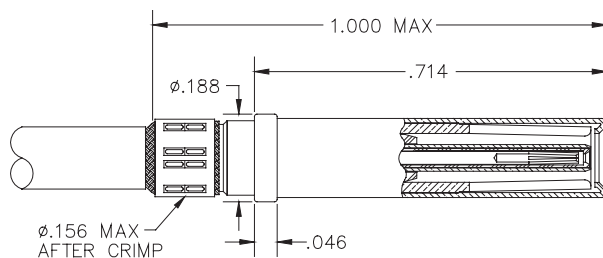
Part Number	Cable Type	Cable
018112-2110	Flexible Twinax	M17/176-00002
018112-2111	Flexible Twinax	540-1086-000
018112-2112	Flexible Triax	RG-403
018112-2113	Flexible Triax	540-1050-000
018112-2114	Flexible Triax	540-1081-000
018112-2115	Flexible Triax	540-1091-000

Size 5 ARINC 600 Twinax/Triax Socket Contact



Part Number	Cable Type	Cable
019312-2110	Flexible Twinax	M17/176-00002
019312-2111	Flexible Twinax	540-1086-000
019312-2112	Flexible Triax	RG-403
019312-2113	Flexible Triax	540-1050-000
019312-2114	Semi-Rigid Triax	UT 141-50-50
019312-2115	Semi-Rigid Triax	UT 141-50-22
019312-2116	Flexible Triax	540-1081-000
019312-2117	Flexible Triax	540-1091-000

Size 12 ARINC 600 Twinax/Triax Socket Contact



Part Number	Cable Type	Cable
018712-2110	Flexible Twinax	M17/176-00002
018712-2111	Flexible Twinax	540-1086-000
018712-2112	Flexible Triax	RG-403
018712-2113	Flexible Triax	540-1050-000
018712-2114	Semi-Rigid Triax	UT 141-50-50
018712-2115	Semi-Rigid Triax	UT 141-50-22
018712-2116	Flexible Triax	540-1081-000
018712-2117	Flexible Triax	540-1091-000

See Page 156 for Cable Ordering Information

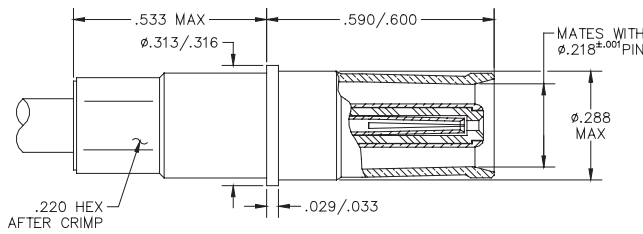




CONCENTRIC TWINAX/TRIAX CONTACTS

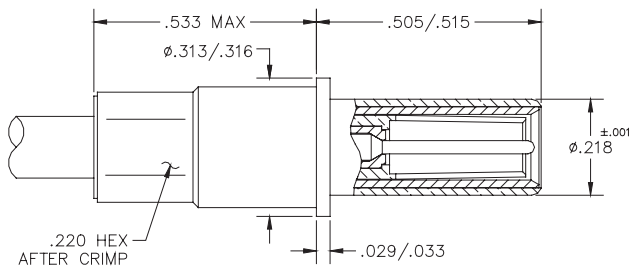
MIL-DTL-83527/ARINC 404 CONTACTS

Size 8 MIL-DTL-83527 Twinax/Triax Socket Contact



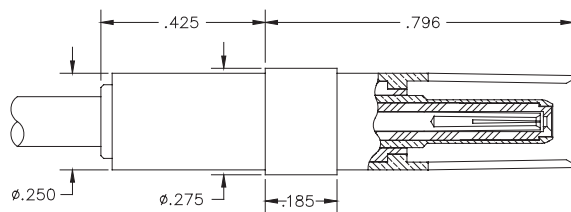
Part Number	Cable Type	Cable
019512-2123	Flexible Twinax	M17/176-00002
019512-2124	Flexible Twinax	540-1161-000
019512-2125	Flexible Twinax	540-1086-000

Size 8 MIL-DTL-83527 Twinax/Triax Pin Contact



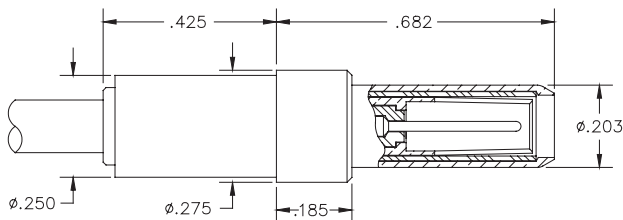
Part Number	Cable Type	Cable
019612-2125	Flexible Twinax	M17/176-00002
019612-2126	Flexible Twinax	540-1161-000
019612-2127	Flexible Twinax	540-1086-000

Size 9 ARINC 404 Twinax/Triax Socket Contact



Part Number	Cable Type	Cable
019112-2001	Flexible Twinax	M17/176-00002
019112-2002	Flexible Twinax	540-1086-000
019112-2003	Flexible Triax	RG-403
019112-2004	Flexible Triax	540-1050-000
019112-2005	Semi-Rigid Triax	UT 141-50-50
019112-2030	Semi-Rigid Triax	UT 141-50-22
019112-2031	Flexible Triax	540-1081-000
019112-2032	Flexible Triax	540-1091-000

Size 9 ARINC 404 Twinax/Triax Pin Contact



Part Number	Cable Type	Cable
019212-2001	Flexible Twinax	M17/176-00002
019212-2002	Flexible Twinax	540-1086-000
019212-2003	Flexible Triax	RG-403
019212-2004	Flexible Triax	540-1050-000
019212-2005	Semi-Rigid Triax	UT 141-50-50
019212-2030	Semi-Rigid Triax	UT 141-50-22
019212-2031	Flexible Triax	540-1081-000
019212-2032	Flexible Triax	540-1091-000

See Page 156 for Cable Ordering Information

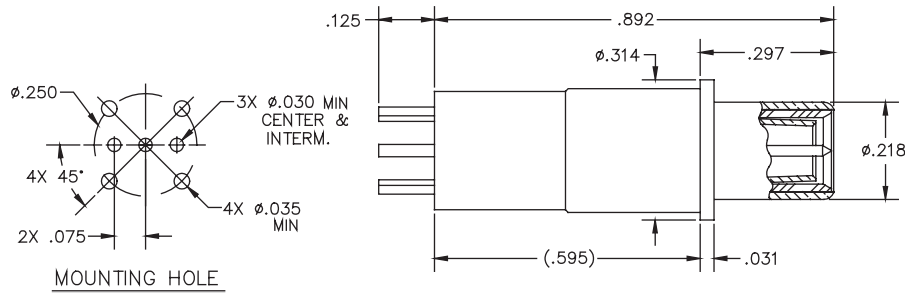




PC TAIL TRIAX CONTACTS

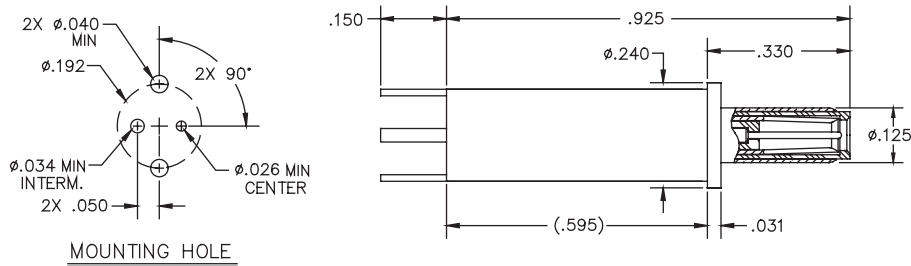
MIL-DTL-38999 PC TAIL CONTACTS SERIES I, III, IV

Size 8 MIL-C-39029/90 PC Tail Twinax/Triax Pin Contact



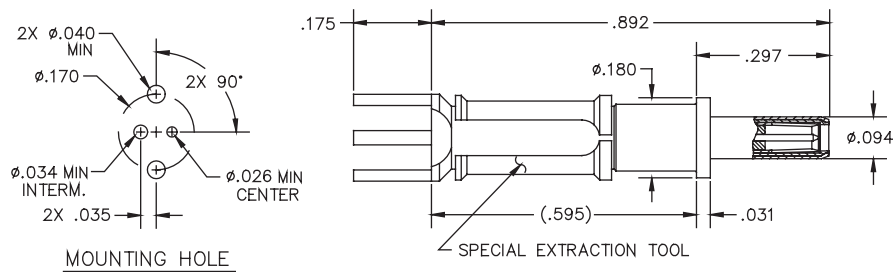
P/N 019617-2100

Size 10 MIL-DTL-38999 PC Tail Twinax/Triax Pin Contact



P/N 018817-2100

Size 12 MIL-DTL-38999 PC Tail Twinax/Triax Pin Contact



P/N 018617-2100

Triax Connectors

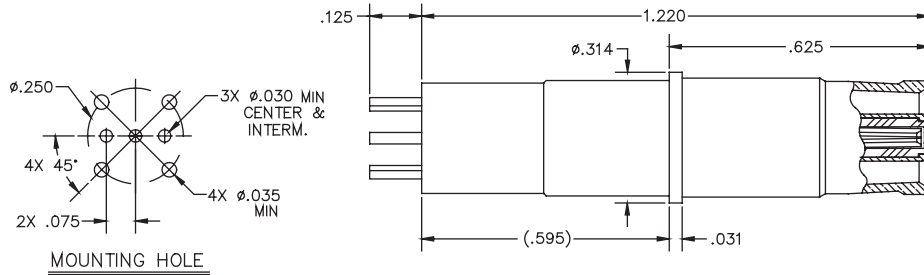




PC TAIL TRIAX CONTACTS

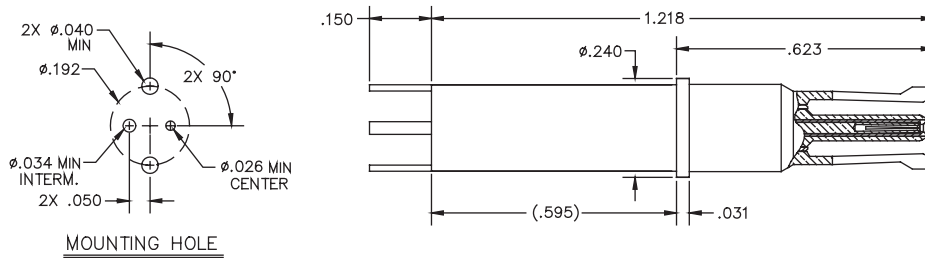
MIL-DTL-38999 PC TAIL CONTACTS SERIES I, III, IV

Size 8 MIL-C-39029/91 PC Tail Twinax/Triax Socket Contact



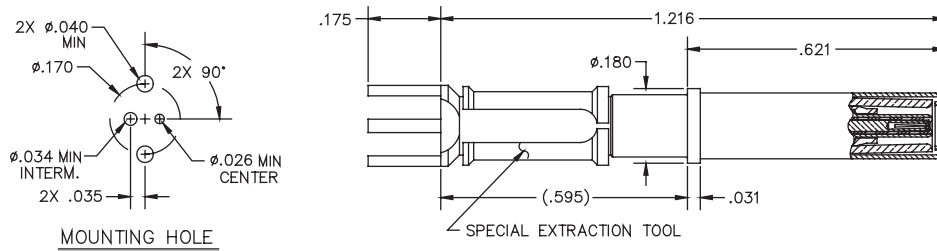
P/N 019517-2100

Size 10 MIL-DTL-38999 PC Tail Twinax/Triax Socket Contact



P/N 018917-2100

Size 12 MIL-DTL-38999 PC Tail Twinax/Triax Socket Contact



P/N 018717-2100





Sabritec's high differential impedance triax contacts are designed for ARINC 600 and MIL-DTL-38999 connectors. These contacts are available in 60, 75, and 85 ohm differential pair characteristic impedance for ARINC 600 and 60 ohm differential pair characteristic impedance for MIL-DTL-38999 connectors.

Size 8 concentric twinax/triax contacts have the same outline dimensions as standard coax and power contacts for both MIL-DTL-38999 and ARINC 600 connectors with 60 ohm differential pair impedance. For high data rate applications such as 1000 Base Tx, Sabritec offers a special ARINC 600 size 8 triax pin and socket contact that is designed to fit into a special insulator cavity for ARINC 600.

These special high differential pair impedance contacts are also available in 75 ohm and 85 ohm impedance values.

Features and Benefits:

High differential pair impedance contacts have special interfaces that are radically optimized for a balanced characteristic impedance to the outer shell while providing maximum differential impedance between middle and center conductors. Polarization is not required since the triax interface has concentric conductors. This also allows free rotation of cable entry for multi-directional routing of cable.

High speed Ethernet data signals can be routed through triaxial interface interconnects, thus eliminating the need for anti-rotational quad and twinax connector and contact types. Triaxial contacts are ideal for blindmate rack and panel and circular interconnect requirements.

ELECTRICAL SPECIFICATIONS

Dielectric Withstanding Voltage	500 VRMS @ sea level with 70% relative humidity
Insulation Resistance	1000 megaohms min. @ 250 VDC
Contact Current Rating	1.5 Amps, D.C. max.
Characteristic Impedance	60 Ohms, 75 Ohms or 85 Ohms

MECHANICAL & ENVIRONMENTAL SPECIFICATIONS

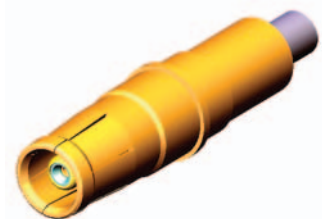
Temperature Rating	-65° to +165°C
Corrosion	MIL-STD-202 Method 101, Test Condition B
Shock	MIL-STD-202 Method 213, Test Condition B
Vibration	MIL-STD-202 Method 204, Test Condition B
Thermal Shock	MIL-STD-202 Method 107, Test Condition B
Durability	1000 Mate/Unmate cycles per min
Mating/Unmating Force	1 lb. Min
Float Mount Constraints	0.15" full radial & axial misalignment max.

MATERIALS & FINISHES

Contacts	BeCu per ASTM-B196, UNS C17300 or Brass per ASTM-B16, UNS C36000 Gold plate per ASTM-B488, Type III, Class 1.25
Insulators	PTFE per ASTM-D1710 or ULTEM 1000 Resin
Shells	Leaded nickel copper, UNS C19150 or Brass per ASTM-B16, UNS C36000 Gold plate per ASTM-B488, Type III, Class 1.25



#8 Triaxial Socket Contact



#8 Triaxial Pin Contact

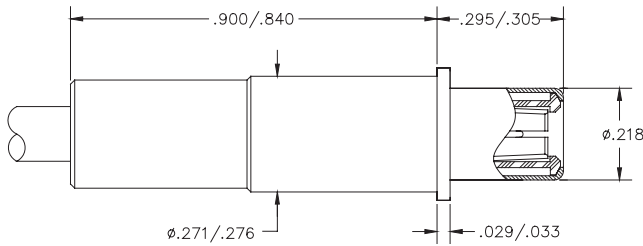




HIGH DIFFERENTIAL IMPEDANCE TRIAX CONTACTS

MIL-DTL-38999/ARINC 600 Contacts

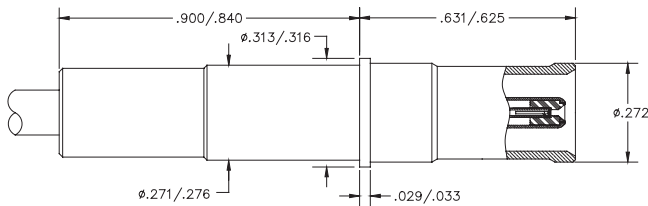
Size 8 MIL-DTL-38999 Twinax/Triax Pin Contact 60 Ohms



Part Number	Cable Type	Cable
019612-2117	Flexible Twinax	540-1161-000
019612-2118	Flexible Twinax	540-1086-000

Intermountable In Standard Size 8 MIL-DTL-38999 Cavities

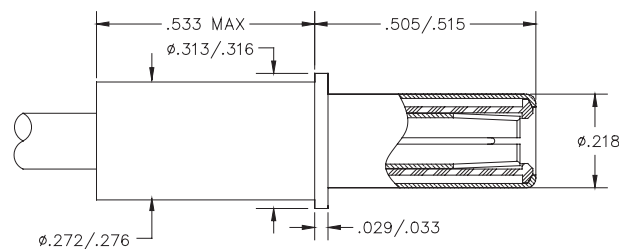
Size 8 MIL-DTL-38999 Twinax/Triax Socket Contact 60 Ohms



Part Number	Cable Type	Cable
019512-2115	Flexible Twinax	540-1161-000
019512-2116	Flexible Twinax	540-1086-000

Intermountable In Standard Size 8 MIL-DTL-38999 Cavities

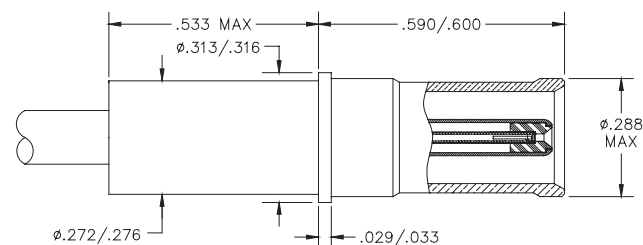
Size 8 ARINC 600 Twinax/Triax Pin Contact 60 Ohms



Part Number	Cable Type	Cable
019612-2121	Flexible Twinax	540-1161-000
019612-2122	Flexible Twinax	540-1086-000

Intermountable In Standard Size 8 ARINC 600 Cavities

Size 8 ARINC 600 Twinax/Triax Socket Contact 60 Ohms



Part Number	Cable Type	Cable
019512-2119	Flexible Twinax	540-1161-000
019512-2120	Flexible Twinax	540-1086-000

Intermountable In Standard Size 8 ARINC 600 Cavities

See Page 156 for Cable Ordering Information

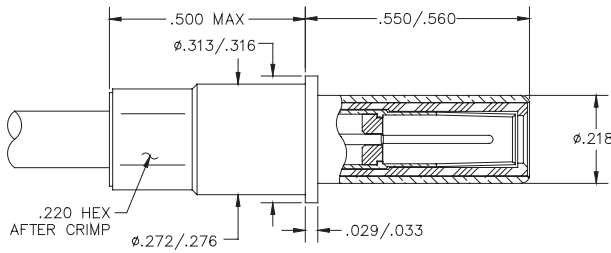




HIGH DIFFERENTIAL IMPEDANCE TRIAX CONTACTS

ARINC 600 Contacts

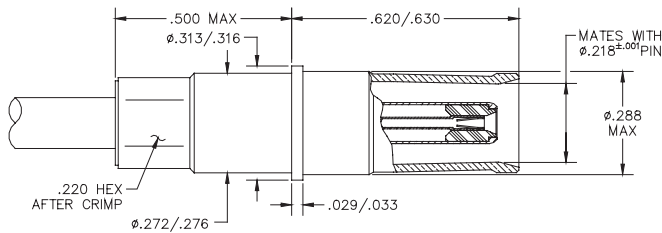
Size 8 ARINC 600 Twinax/Triax Pin Contact 75 Ohms



Part Number	Cable Type	Cable
019612-2119	Flexible Triax	540-1050-000
019612-2120	Flexible Triax	540-1091-000

Intermountable In Standard Size 8 ARINC 600 Cavities

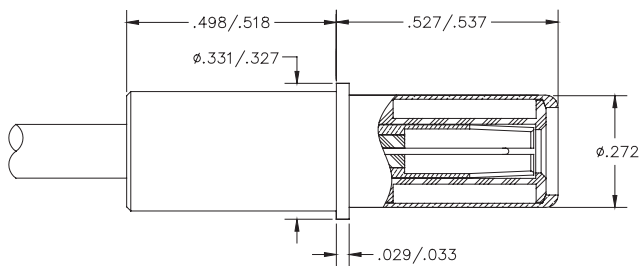
Size 8 ARINC 600 Twinax/Triax Socket Contact 75 Ohms



Part Number	Cable Type	Cable
019512-2117	Flexible Triax	540-1050-000
019512-2118	Flexible Triax	540-1091-000

Intermountable In Standard Size 8 ARINC 600 Cavities

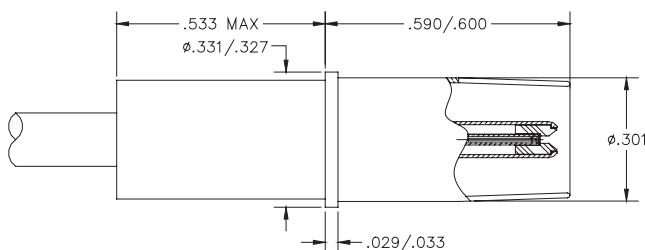
Size 8 ARINC 600 Twinax/Triax Pin Contact Special 85 Ohms



Part Number	Cable Type	Cable
019612-2123	Flexible Twinax	540-1161-000
019612-2124	Flexible Twinax	540-1086-000

Contacts Fit Into Special Size 8 ARINC 600 Cavities

Size 8 ARINC 600 Twinax/Triax Socket Contact Special 85 Ohms



Part Number	Cable Type	Cable
019512-2121	Flexible Twinax	540-1161-000
019512-2122	Flexible Twinax	540-1086-000

Intermountable In Standard Size 8 ARINC 600 Cavities

See Page 156 for Cable Ordering Information





SIZE 10 D-SUBMINIATURE CONNECTORS

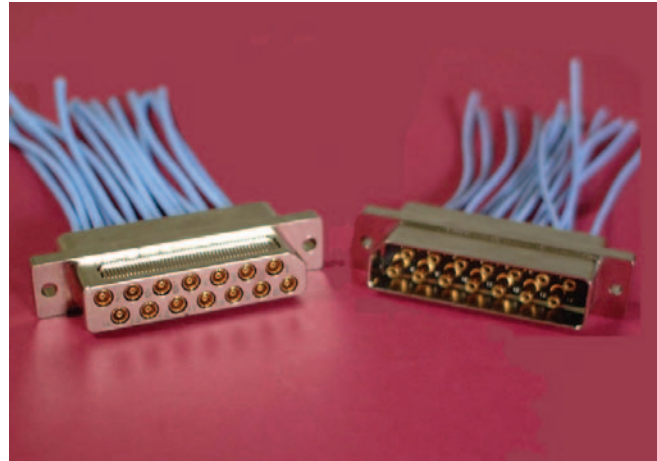
Size 10 Triax Connectors and Contacts

Sabritec's rugged d-subminiature multiway connectors are designed to ground the outer shield of a triax contact directly to the shell of the connector. A multi-finger ground spring, fixed around the triax shell, provides a multi-point contact engagement for superior EMI shielding. The result is an extremely low contact resistance when measured from the triax contact outer body to the connector flange.

Up to the present day, the transmission of data in satellite applications has sufficed with the use of 50 ohm coax cable and connector interfaces. However, digital signal processors now used in commercial and military satellite installations require data to be transmitted for 100 Base-T and higher data rate formats. This makes the use of standard 50 ohm coax incompatible.

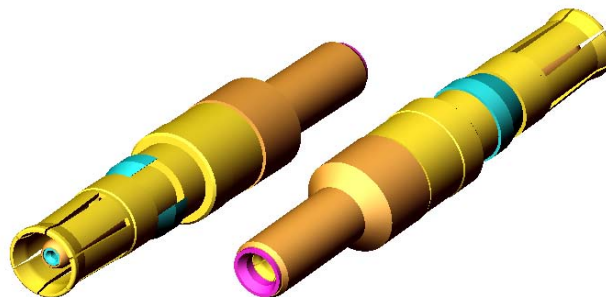
Sabritec's solution to this problem is a size 10 triax interface to transmit data at 100 ohms differential pair impedance packaged in a compact rugged connector. We took the design for the triax and manufactured a suitable package to be able to mate up to fourteen (14) of these contacts in a single connector interface. We added features such as a polarizing shell to prevent any mismatching and a scoop proof concentric triax interface that allows the repeatability and durability of mating the fourteen (14) Triax contacts.

Space grade solutions for data transmission is one of the fastest growing segments in Sabritec's expanding product series.

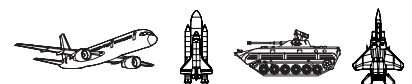


MATERIALS & FINISHES

Contacts	BeCu per ASTM-B196, UNS C173 or Leaded nickel copper, UNS C19150 Gold plate per ASTM-B488, Type III, Class 1.25
Insulators	PTFE per ASTM-D1710 or ULTEM 1000 resin
Shells	Leaded nickel copper, UNS C19150 Gold plate per ASTM-B488, Type III, Class 1.25
Snap Ring	BeCu per ASTM-B196, UNS C17300 Nickel plate per SAE-AMS-QQ-N-290
Ground Spring	BeCu per ASTM-B196, Alloy UNS C17300 Gold plate per ASTM-B488, Type III, Class 1.25
Data Rate	Up to 500 Mbits/second



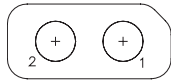
Size 10 Triaxial Pin to Socket Adapter and Triaxial Socket Contact



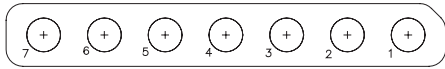


Insert Arrangements

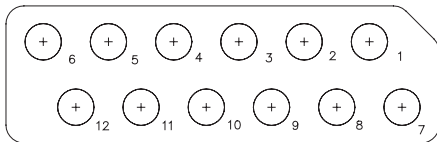
Shell Size 1
Arrangement 1-2
2 # 10 Triax/Twinax Contacts



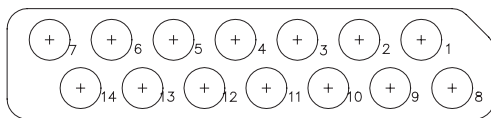
Shell Size 2
Arrangement 2-7
7 # 10 Triax/Twinax Contacts



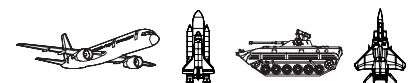
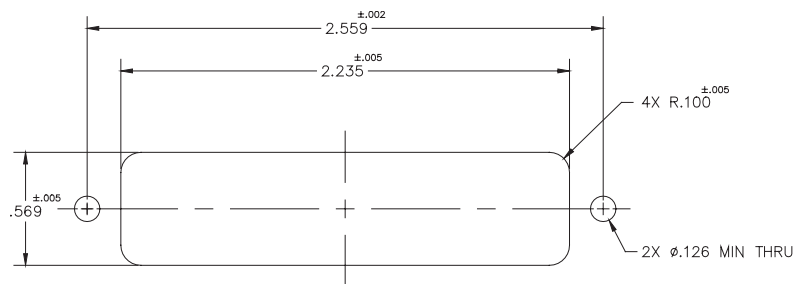
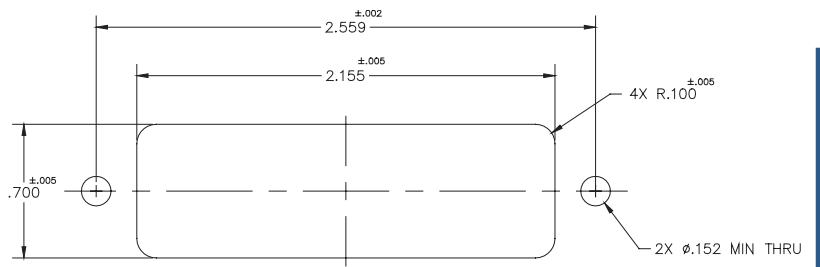
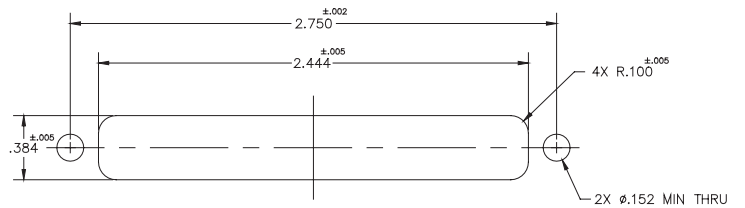
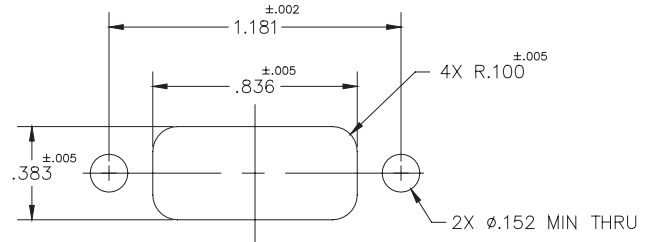
Shell Size 3
Arrangement 3-12
12 # 10 Triax/Twinax Contacts



Shell Size 4
Arrangement 4-14
14 #10 Triax/Twinax Contacts

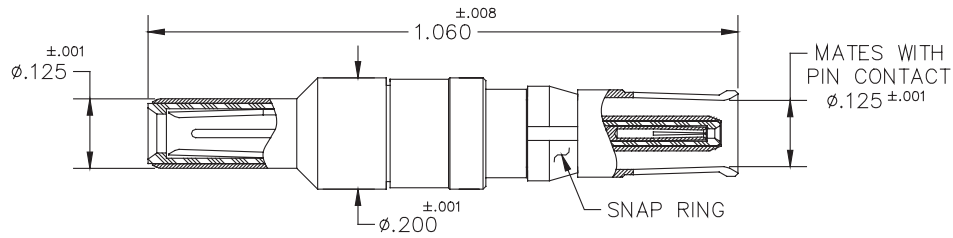


Panel Cut-Out For Multitway Connector Assemblies





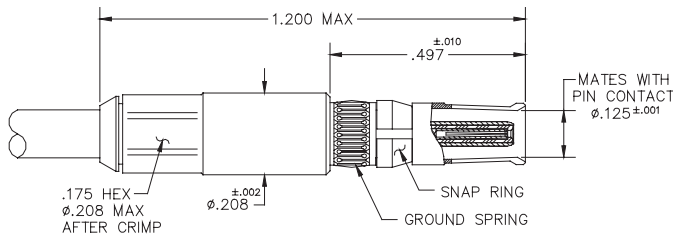
Size 10 Triaxial Pin to Socket Contact



P/N: 018800-4003

Contact Fits Sabritec Rugged D-Subminiature Adapter P/N: 012900-4005 Thru 012900-4008

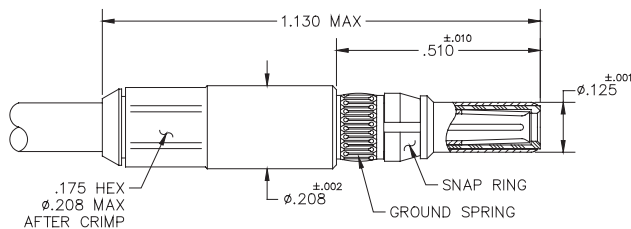
Size 10 Triaxial Socket Contact



Part Number	Cable Type	Cable
018912-2033	Flexible Twinax	540-1172-000
018912-2034	Flexible Twinax	540-1171-000
018912-2035	Flexible Twinax	540-1161-000

Contact Fits Sabritec Rugged D-Subminiature Plug P/N: 012900-2027 Thru 012900-2030

Size 10 Triaxial Pin Contact



Part Number	Cable Type	Cable
018812-2034	Flexible Twinax	540-1172-000
018812-2035	Flexible Twinax	540-1171-000
018812-2036	Flexible Twinax	540-1161-000

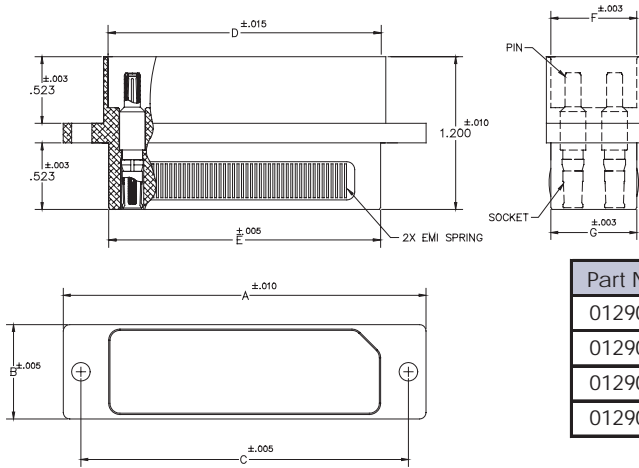
Contact Fits Sabritec Rugged D-Subminiature Receptacle P/N: 012900-3002 Thru 012900-3005

See Page 156 for Cable Ordering Information



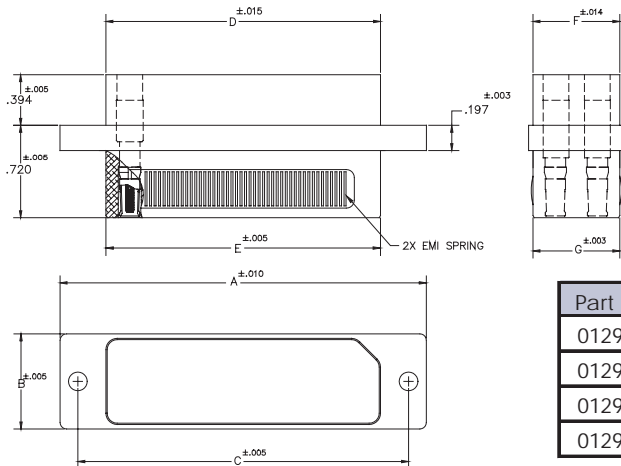


Rugged Multi-Way Triax/Twinax Adapter



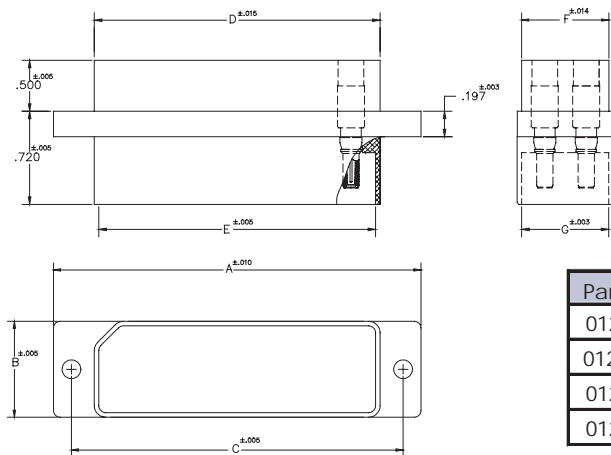
Part Number	Contacts	A	B	C	D	E	F	G
012900-4008	2	1.575	0.472	1.181	0.738	0.728	0.341	0.331
012900-4007	7	3.050	0.400	2.750	2.325	2.315	0.341	0.331
012900-4006	12	2.834	0.741	2.559	2.165	2.125	0.681	0.671
012900-4005	14	2.834	0.551	2.559	2.135	2.125	0.491	0.481

Rugged Multi-Way Triax/Twinax Plug



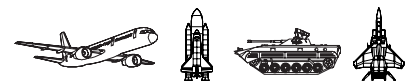
Part Number	Contacts	A	B	C	D	E	F	G
012900-2030	2	1.575	0.472	1.181	0.807	0.728	0.354	0.331
012900-2029	7	3.050	0.400	2.750	2.415	2.315	0.355	0.331
012900-2028	12	2.834	0.741	2.559	2.125	2.125	0.671	0.671
012900-2027	14	2.834	0.551	2.559	2.205	2.125	0.540	0.481

Rugged Multi-Way Triax/Twinax Receptacle



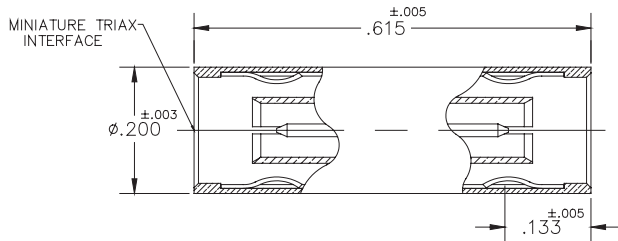
Part Number	Contacts	A	B	C	D	E	F	G
012900-3005	2	1.575	0.472	1.181	0.807	0.738	0.354	0.341
012900-3004	7	3.050	0.400	2.750	2.415	2.325	0.355	0.341
012900-3003	12	2.834	0.741	2.559	2.125	2.135	0.671	0.681
012900-3002	14	2.834	0.551	2.559	2.205	2.135	0.540	0.491

See Page 156 for Cable Ordering Information



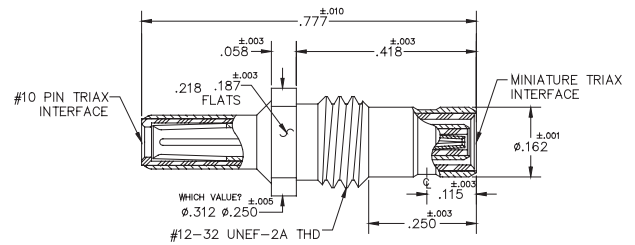


Miniature Triax Blind Mate Plug



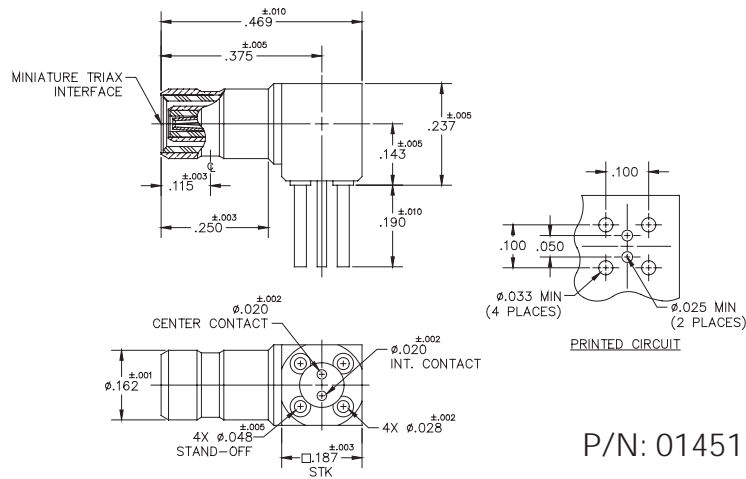
P/N: 014500-4001

Miniature Triax Receptacle to #10 Triax Pin

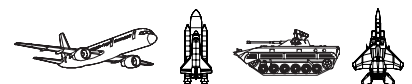


P/N: 014500-4002

Miniature Triaxial Right Angle Receptacle PCB Mount



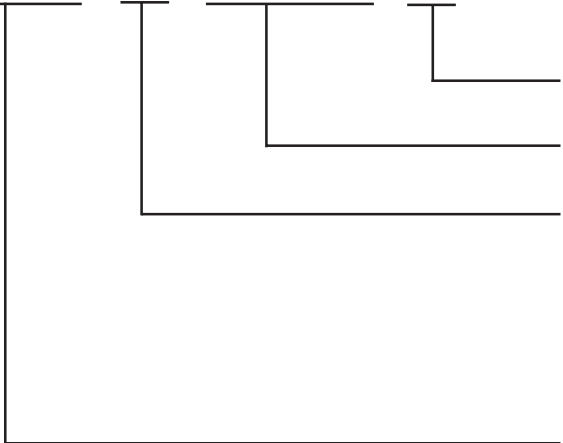
P/N: 014517-1001





Part Number Table

016028-2000 - 1 - 016128-5000 - 24



Cable Length in Inches (XXX)

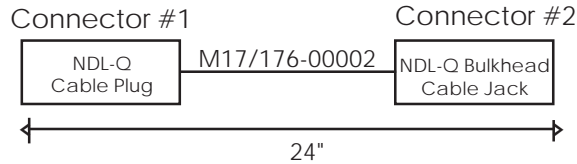
Connector #2 OL - For Open Ended

Cable Group #

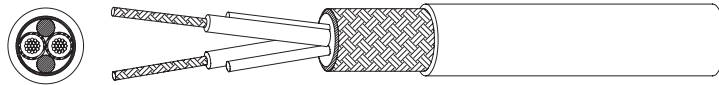
Flexible Twinax	Flexible Triax	Semi-Rigid Triax
1 = M17/176-00002	21 = RG-403	25 = UT 141-50-50
2 = 540-1086-000	22 = 540-1050-000	26 = UT 141-50-22
3 = 540-1161-000	23 = 540-1081-000	
4 = 540-1171-000	24 = 540-1091-000	
5 = 540-1172-000		

Connector #1

SAMPLE P/N: 016028-2000/1/016128-5000/24

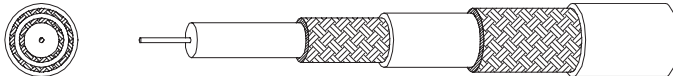


Please use the request for quote worksheet on page 225 to specify your custom application needs.



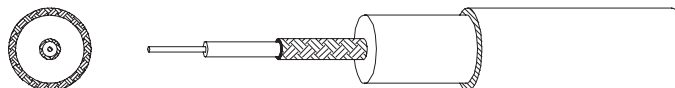
Flexible Twinax Cables

Cable Group No	Cable Designation	Manufacturer	Impedance (OHMS)	Jacket	Conductor (DIA)
1	M17/176-00002	Mil-Spec	77	0.129"	0.024"
2	540-1086-000	Sabritec	98	0.143"	0.019"
3	540-1161-000	Sabritec	100	0.130"	0.024"
4	540-1171-000	W.L. Gore	100	0.087"	0.010"
5	540-1172-000	W.L. Gore	100	0.122"	0.016"



Flexible Triax Cables

Cable Group No	Cable Designation	Manufacturer	Impedance (OHMS)	Jacket	Conductor (DIA)
21	RG-403	Mil-Spec	50	0.116"	0.012"
22	540-1050-000	Sabritec	75	0.125"	0.012"
23	540-1081-000	Sabritec	95	0.125"	0.008"
24	540-1091-000	Sabritec	75	0.175"	0.025"



Semi-Rigid Triax Cables

Cable Group No	Cable Designation	Manufacturer	Impedance (OHMS)	Jacket	Conductor (DIA)
25	UT 141-50-50	Micro-Coax	50-50	0.141"	0.008"
26	UT 141-50-22	Micro-Coax	50-22	0.141"	0.012"

RF Coaxial