

( )

INTERSTATE COUNCIL FOR STANDARDIZATION. METROLOGY AND CERTIFICATION  
(ISC)

**IEC 60331-3—  
2013**

**3**

**0,6/1,0**

,  
,  
**830 °**

(IEC 60331-3:2009. )



2014

IEC 60331-3—2013

1.0—92 «  
 1.2—2009 «  
 1 «  
 2 46  
 3 ( 14 2013 . No 44-2013. No 24)

( 3166) 004—97	( 3166)004—97	-
	AM KG RU TJ UZ	H

4 IEC 60331-3:2009 Tests for electric cables under fire conditions - Circuit integrity - Part 3: Test method for fire with shock at a temperature of least 830 °C for cables of rated voltage up to and including 0.6/1.0 kV tested in a metal enclosure ( )  
 3. 0.6/1.0 830 )

( )  
 5 2014 . No 1147- IEC 60331-3—2013 19  
 1 2015 .

6

IEC 60331-3—2013

« « », ( ) « » - - - - -



IEC 60331-3—2013

3

0,6/1,0

830 4

Tests electric cables under fire conditions. Circuit integrity  
 Part 3. Test method for Fire with shock at a temperature of least 830 °C for cables of rated voltage up to and including  
 0.6/1.0 kV tested in a metal enclosure

^ !^^ ^37^37

1

0.6/1,0

^ IEC 60331-1 / 1 60331-2 IEC 60331-1. 11. IEC 60331-2. 11.

8

2

).  
 IEC 60269-3:2010 Low-voltage fuses - Part 3: Supplementary requirements for fuses for use by unskilled persons (fuses mainly for household and similar applications) - Examples of standardized systems of fuses A to F ( 3. )

F)  
 IEC 60269-3:2010/Amd.1:2013 Low-voltage fuses - Part 3: Supplementary requirements for fuses for use by unskilled persons (fuses mainly for household and similar applications) - Examples of standardized systems of fuses A to F. Amendment 1 ( 3. )

F. 1)  
 IEC 60269-3:2010/Amd. 1:2013/ . 1:2013 Low-voltage fuses - Part 3: Supplementary requirements for fuses for use by unskilled persons (fuses mainly for household and similar applications) - Examples of standardized systems of fuses A to F. Corrigendum 1 to Amendment 1 ( 3. )

F. 1 1)  
 IEC 60269-3:2010/Amd.1:2013/Cor.2:2013 Low-voltage fuses - Part 3: Supplementary requirements for fuses for use by unskilled persons (fuses mainly for household and similar applications) - Examples of stan-

**IEC 60331-3—2013**

Standardized systems of fuses A to F. Amendment 1. Corrigendum 2 (

3.

),

F. 1. 2)

IEC 60331-1:2009 Tests for electric cables under fire conditions - Circuit integrity - Part 1: Test method for fire with shock at a temperature of at least 830 °C for cables of rated voltage up to and including 0.6/1,0 kV and with an overall diameter exceeding 20 mm (

0.6/1.0

830 °

20

IEC 60331-2:2009 Tests for electric cables under fire conditions - Circuit integrity - Part 2: Test method for fire with shock at a temperature of at least 830 °C for cables of rated voltage up to and including 0.6/1.0 kV and with an overall diameter not exceeding 20 mm (

0.6/1.0

830 °

20

IEC 60584-1:2013 Thermocouples - Part 1: EMF specifications and tolerances (

( )

)

**3**

3.1

(circuit integrity):

**4**

3,

10 ° 40 \* .

1

2

**5**

5.1

a)

5.2.

( ):

b)

5.3.

:

c)

5.4;

d)

5.5;

e)

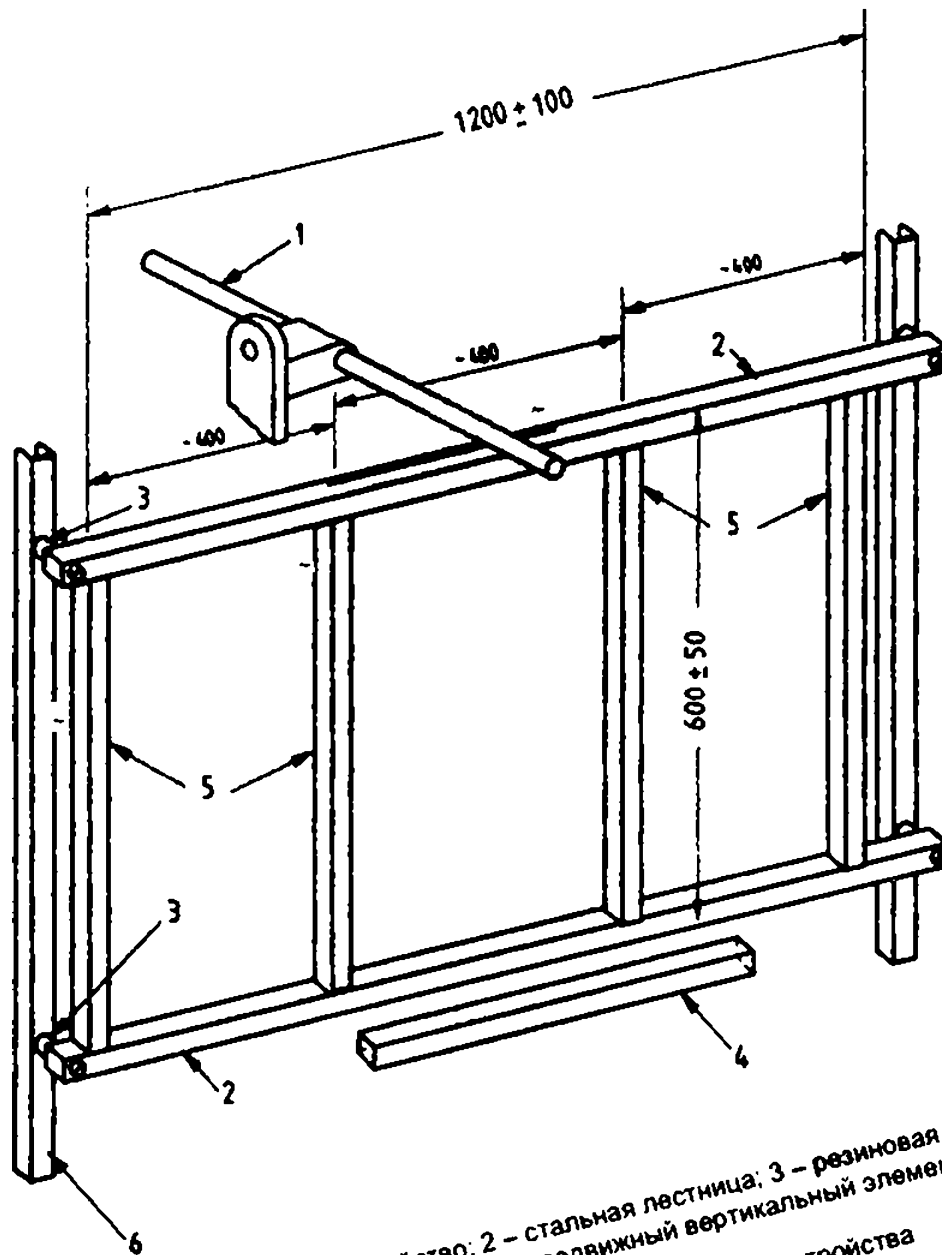
5.7:

)

5.8.

1. 2.3 4.

ГОСТ IEC 60331-3—2013  
 Размеры в миллиметрах



1 – ударное устройство; 2 – стальная лестница; 3 – резиновая втулка;  
 4 – газовая горелка ленточного типа; 5 – неподвижный вертикальный элемент; 6 – опора лестницы  
 Рисунок 1 – Схема испытательного устройства

IEC 60331-3—2013

		^^ — ^					
					Tso		

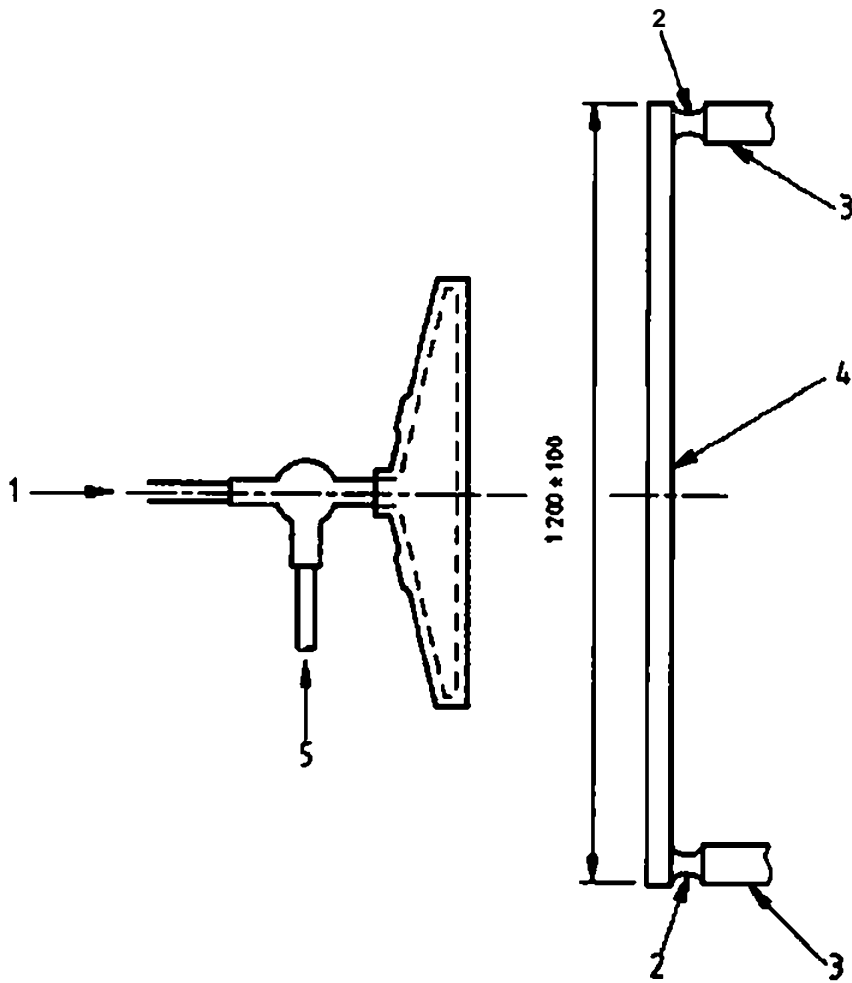
1 - U-

: 2 -

; 3 -

2 -





1 -

: 2 -

; 3 -

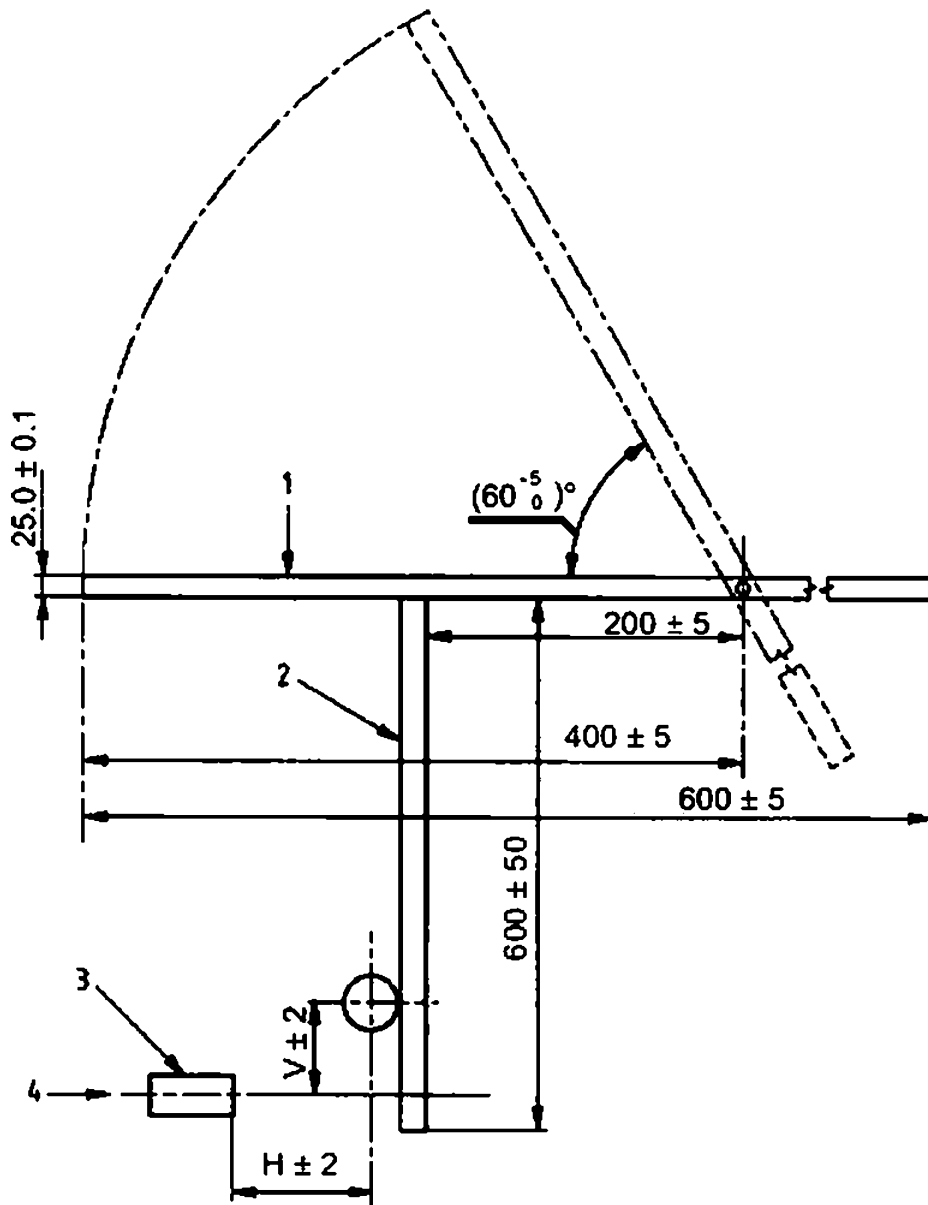
; 4 -

; 5 -

3 -

( )

IEC 60331-3—2013



1- ; 2- ; - ; 3- ; 4-  
: V- -

4- ( )

5.2  
5.2.1

(1300 ± 50)  
1.

1 -

20	1.6±0.15
40	

304 316

5.2.2

6.2.

5.3

1. -

(1200 ± 100) (600 ± 50) (400 ± 20) (18 ± 1) -

2.

U- -

1

45

6

2

3

5.

200

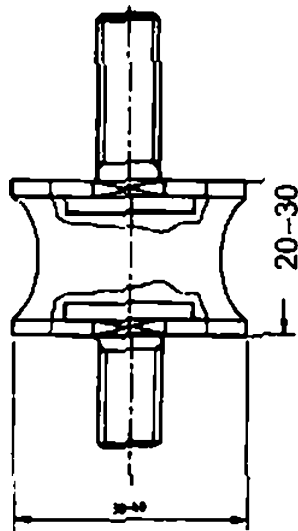
60

( ),

50

1 3.

( , )



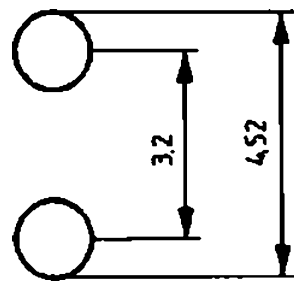
30-40

5 -

IEC 60331-3—2013

5.4  
5.4.1

500 . . . . . -  
- 10 . . . . . -  
1.32 . . . . . 3.2 ,  
6. . . . . -



3.2

6 -

5.4.2

/

1  
2  
3

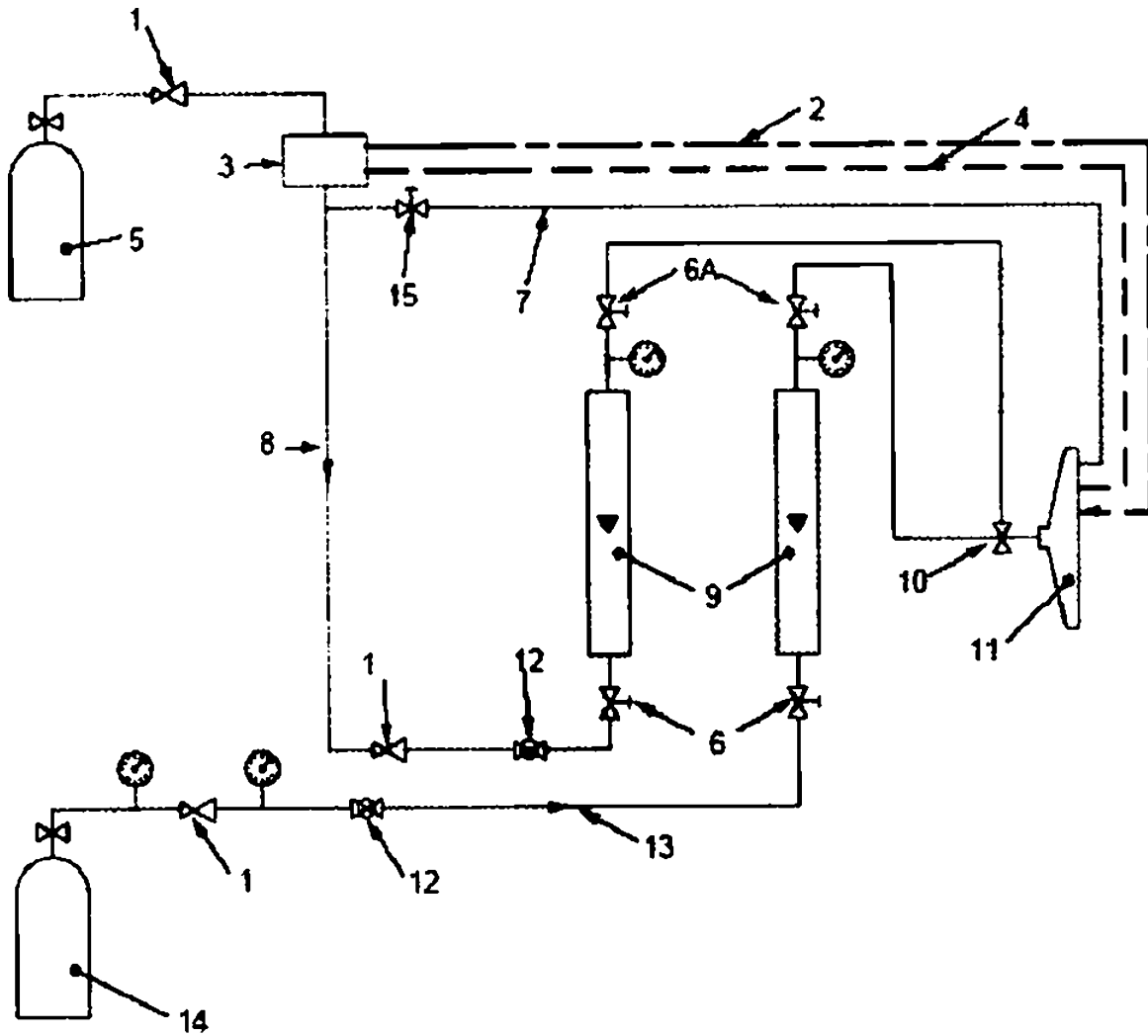
IEC 60331-11.

7.

0 ° .

- -  $(160 \pm 8)$  /  $(3267 \pm 163)$  / ; ( 1 .
- $(10 \pm 0.4)$  /  $(319 \pm 13)$  / . ( 1 .

5.4.3



- 1 - ; 2 - ; 3 -
- ; 4 - ; 5 - ; 6 - (6 -
- ); 7 - ; 8 - ; 9 -
- : 10 - ; 11 - ; 12 -
- 13 - ;
- 14 - ; 15 -

5.5

(25 ± 0.1)

(600 ± 5)

(200 ± 5)

(400 ± 5)

1 4.

5.6

200  
500

IEC 60331-3—2013

2) (V ± 2) , 4. , V. ,  
 , - .  
 5.7 ( - ) « » -  
 ) ( ) -  
 ( , ) .  
 1 ( )  
 2 0.25 .  
 5.8 7. DII  
 IEC 60269-3. , IEC 60269-3. , -  
 , .  
 6  
 6.1 15.3 -  
 - 5.1 -  
 , 1700 -  
 100 .  
 6.2  
 2 , , 3 -  
 , ,  
 2 -

11 .	20
. 11 23 .	40

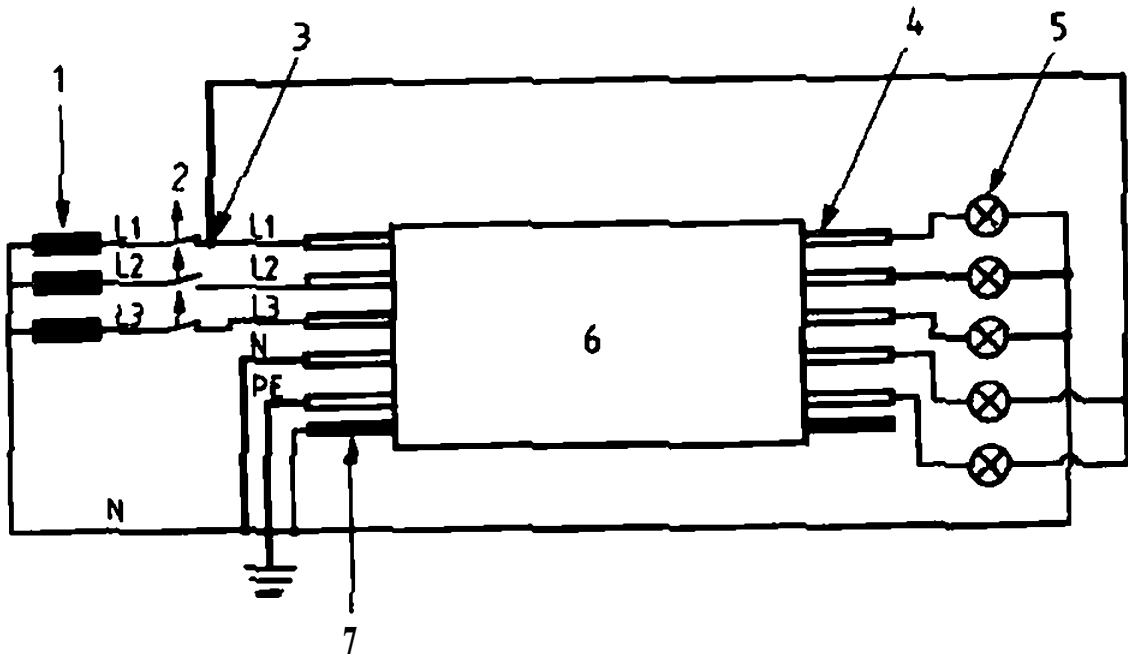
3 -

6.2 .	20
. 6.2 13.5 .	40

100 .



IEC 60331-3—2013



1 - ; 2 - (2); 3 - L1, L2, L3; 4 -  
 ; 5 - ; 6 - ; 7 - ( )  
 ); L1, L2, L3 - (L2, L3. ); N - ( )

7.3

( . ) .

5 ± 10 . 5 ± 10

7.4

20 .

( 100 ) , . .

8.1,

8

8.1

8.2

: 30. 80. 90. 120 .

7. :



9

, , -  
 , -  
 .

10

- a)
- b)
- c)
- d)
- e)
- o
- )
- h)
- i)
- j)

;

;

;

:

;

;

8;

;

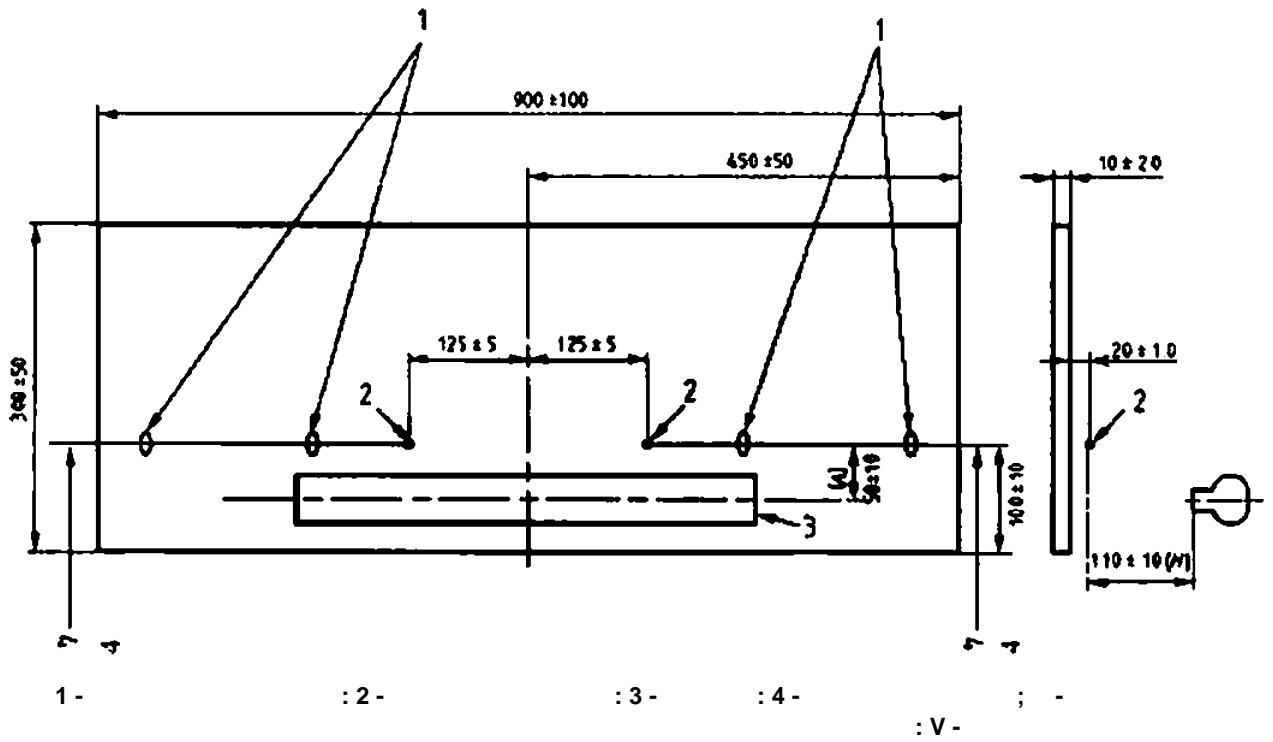
:

.

IEC 60331-3—2013

( )

.1  
 1,5  
 IEC 60584-1.  
 (20 ± 1)  
 .1.  
 (900 ± 100) (300 ± 50) (100 ± 10)  
 100 120 (10 ± 2)  
 (V) ( ) 40  
 60 .2  
 5.4.2.  
 10



.1 -

a)

$(830^{4,0})^*$

b)

40

30

IEC 60331-3—2013

5.4.2. ( ) .1) V

.5 V.

IEC 60331-3—2013

( )

.1

AGF:

11-55).

( 1857 ).

;

• ( 14-18).

:

Pemfab. 30 Indel Avenue. Box 227. Rancocas. New Jersey 08073-0227. USA  
www.amgasfur.com www.pemfab.com.

.2

3 IEC 61034-1.

8 1

IEC 60331-3—2013

( )

6	.1		
-	-	-	-
-	-	-	-
IEC 60269-3:2010	-	IEC 60269-3-1:1994	-
3.	-	3-1:	-
(	-	(	-
),	-	(	-
-	-	I IV	-
F	-		I-IV
			(IEC 60269-3-1:1994.)
IEC 60331-1:2009	-		IEC 60331-1—
1.	-		2013
0,6/1.0	-		-
20	-		1.
830 °	-		0,6/1.0
	-		20
	-		830 °
	-		(IEC 60331-1:2009.)

IEC 60331-3—2013

.1

-	-	-	-
IEC 60331-2:2009 2. 0,6/1.0 20 830 °			IEC 60331-2— 2013 2. 0,6/1.0 20 830 ° (IEC 60331-2:2009, )
IEC 60331-11:1999 11. 750 °			
IEC 60584-1:2013 1. ( )	—*	*—	—
IEC 61034-1:2005 1.			! 61034-1 — 2011 1. (IEC 61034- 1:2005. )

## IEC 60331-3—2013

IEC 60331-11	1099	<b>Tests for electric cables under fire conditions - Circuit integrity - Part 11: Apparatus - Fire alone at a flame temperature of at least 750 °C</b> ( . . . . . 11. . . . . ) 750 ° )
IEC 61034-1		<b>Measurement of smoke density of cables burning under defined conditions - Part 1: Test apparatus ( . . . . . 1. . . . . )</b>
IEC 61366-1		<b>Conduit systems for cable management - Part 1: General requirements ( 1. . . . . )</b>

IEC 60331-3—2013

621.315.2.001.4:006.354

29.060.20

:

,

-

05.11.2014.

60x84/».

. . .279. 32 . .4496.

,

«

\*

123995 . ..4.

info@gostinfo.ru