

()
INTERSTATE COUNCIL FOR STANDARDIZATION, METROLOGY AND CERTIFICATION
(ISC)

IEC 62031-
2016

(IEC 62031:2014,)



2017

IEC 62031—2016

1.0—2015 «
 1.2—2015 «
 1
 2 332 «
 3 22 2016 . 93-)

(3166) 004-97	(3166) 004- 97	
	AM BY GE Z RU TJ	

4 2017 . No 580- IEC 62031—2016 22
 1 2018 .
 5 IEC 62031:2014 «
 specifications». IDT). » («LED modules for general lighting — Safety
 IEC/TC 34 « » (IEC).
 6 1 62031—2011
 7 . IEC

« « ». —) -
« « ». — , -

(www.gost.ru)

IEC 62031—2016

1	1
2	1
3	2
4	3
5	3
6	4
7	4
8	5
9	5
10	5
11	5
12	5
13	5
14	6
15	6
16	6
17	6
18	6
19	6
20	6
21	6
22	7
	()	8
	()	9
	()	10
	D ()	11
	()	-
	13
	14

LED module» (or general lighting. Safety specification»

— 2018—07—01

1

• : (—) , *

• : 250

50 60 . 1000

1 IEC 61347-2-13.

2 a IEC 62384. (— -

3 IEC 60968. , -

4 « » () ()», -

2

():

IEC 60417 Graphical symbols for use on equipment () ,

IEC60598-1 Luminaires — Part 1: General requirements and tests (. 1. -

IEC 60838-2-2 Miscellaneous lampholders — Part 2-2: Particular requirements — Connectors for LED modules (. 2-2. -

<http://www.graphical-symbols.mfo/equipment>.

IEC 62031—2016

IEC 61347*1:2007 Lampcontrolgear — Part 1: General and safety requirements () -
1.

IEC 61347*2*13:2006 Lamp controlgear — Part 2*13: Particular requirements for d.c. or a.c. supplied electronic controlgear for LEO modules () 2-13.

IEC/TR 62778 Application of IEC 62471 for the assessment of blue light hazard to light sources and luminaires (IEC 62471) *

ISO 4046-4:2002 Paper, board, pulp and related terms — Vocabulary — Part 4: Paper and board grades and converted products (, ,) .
4.

3

IEC/TS 62504. *

3.1 (light-emitting diode: LED): * , *

IEC 60050-845:1987. 845*04*40.
3.2 (LED module): , ,

3.3 (self-ballasted LED module): ,

3.4 (integral LED module): , *

3.5 (integral self-ballasted LED module):

3.6 (built-in LED module): , -

3.7 (built-in self ballasted LED module): ,

3.8 (independent LEDmodule): , -

3.9 (independent self-ballasted LED module): , -

3.10 f_c (rated maximum temperature t_c): (, / / -

3.11 f_d (heattransfertemperature f_d): (,) (,

3.12

P_d (heat output to the luminaire P_d):

t_c

1

2

3

$f_v \cdot P_e$

3.13

efficacy of luminous radiation K_s „):

$K_{s,v}$ (ultraviolet hazard

1

2

IEC 62471.

4

4.1

()

4.2

(/) / /

4.3

4.4

IEC 60598-1. 0.5.

4.5

IP

IEC 60598-1.

4.6

5

5.1

5.2
+30 *

+10 *

IEC 62031—2016

5.3

5.4

604

5.5

IEC 61347-2-13.

I.

()

6

-
-
-

IEC 60598-1 (1.2.1.).

7

7.1

- a)
- b)
- c)

1)

2)

- d)
- e)

f)

f_c

f_c

)

IEC/TR 62778

IEC/TR 62778

h)

0

1.

ϵ_{Inr}

1,

ϵ_{Inr}

. IEC 60417-6053 (2011 -05);

*

1 —

i)

t_a (

);

j) () ; *

k) 7.2

7.1.) .) f).
7.1, d).) g), h), i) j).)

7.3 7.1.)—).

7.1.),).) f).
15

7.1. d)—j),

8

IEC 60598*1. 14 () .
(60596*1. 15 () .
IEC 60838-2*2 () .

9

(61347*1. 9.

10

IEC 61347*1. 10.

11

IEC 61347*1. 11.

12

1 61347-1. 12.

13

13.1

(61347*1, 14.

13.2

150 %

5 1 / .
15
5

S

IEC 62031—2016

15

4.1 13.2 ().

15

ISO 4046-4 (4.187).

14

15

16

IEC 61347-1,

IEC 60596-1.

17

IEC 61347-1. 17.

18

IEC 61347-1, 18.

19

IEC 61347-1. 19.

20

D.

21

21.1

21

t_c

21.2

().

21.3

()

t_c

21.4

() / , ' -
-

22

22.1

2 / .

22.2

no IEC/TR 62778.

IEC/TR 62778,

(.2).

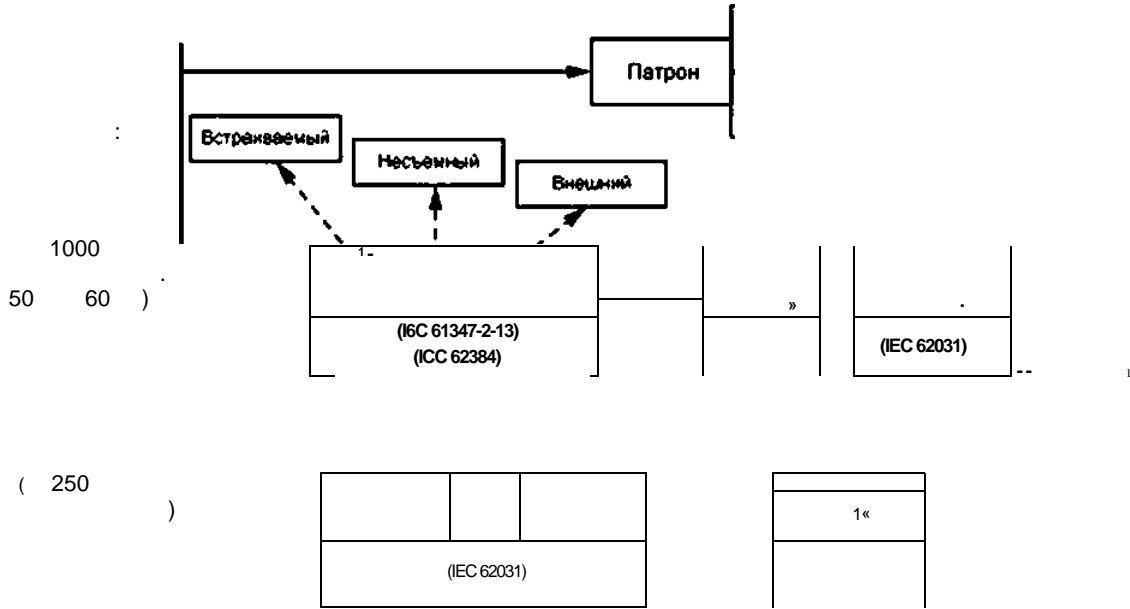
22.3

IEC 62031—2016

()

. IEC 61347-1. . .1. .2. .4. .7. .11.2. . 1.3 -
: « », « » () « »
« ».

()



8.1 —

IEC 62031—2016

()



D

()

D.1

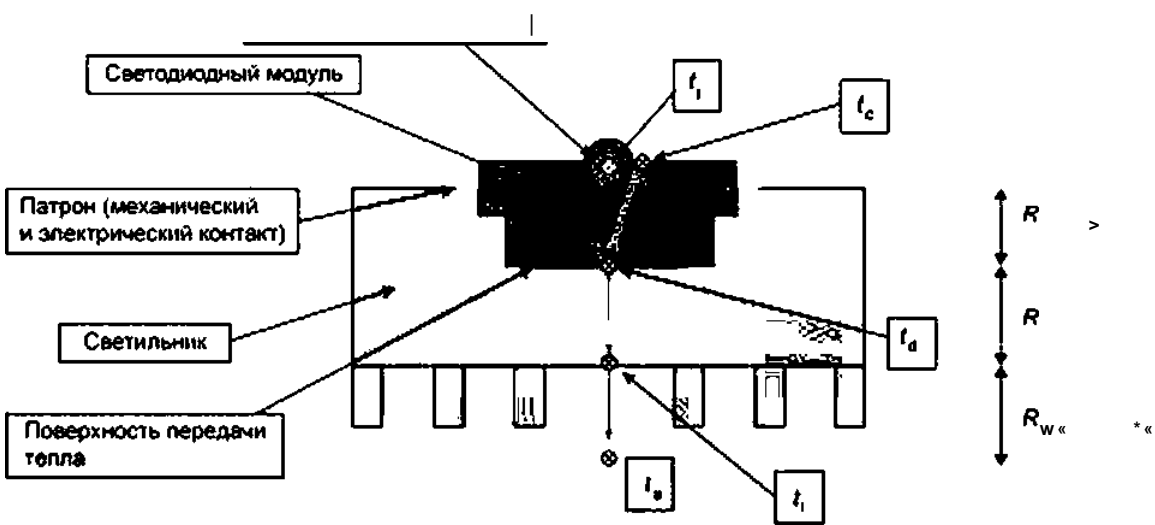
-
-

D.2

D.1. t_a t_c t_d t_s t_i R R_w

- t_a — IEC 60598-1;
- t_c — ;
- t_d — ;
- t_s — () ;
- t_i — () ;
- R — (:) ;
- R_w — ;

«Rinee*ttin»H«a»



0.1 —

() () ,

IEC 62031—2016

0.1. -

(0.1>

(D.2)

<°_3>

<0.4>

0.3

1 P_d

0.4

0.4.1 0 1 IEC/TR 62778

0 1. IECtf R 62778

0.4.2 IEC/TR 62778 £ .

£ . IECtf R 62778 (7.1 }

IECtfR 62778 £_{thr}

£ |>

()

IEC 60417:1973	MOD	28312—89 (417—73) « »	- -
IEC 60598-1		60598-1—2002 « » ¹	1. -
IEC 60836-2-2		IEC 60838-2-2—2013 « 2-2. »	- -
IEC 61347-1:2007		.3»	
IEC 61347-2-13:2006		1 61347-2-13—2013 « 2-13. »	- - -
IEC/TR 62778		*	
ISO 4046-4:2002		*	
* — : • — • MOD —			- -

2> 60598-1—2011 « 1. -
1. 61347-1—2011 «
»,

IEC 62031—2016

IEC 60050-845:1987	International Electrotechnical vocabulary — Chapter 845: Lighting (845.)	-
IEC 60364-2:2009	Self-ballasted lamps for general lighting services — Safety requirements ()	-
IEC 62364-2:2009	or supplied electronic control gear for LEO modules — Performance requirements ()	-
IEC 62471 ^s	Photobiological safety of lamps and lamp system. ()	-
IEC/TS 62504 ^{4>}	Terms and definitions for LEOs and LEO modules ()	-

11	31999—2012 (IEC 60968:1988) « ».	-
21	IEC 62384—2013 « ».	-
18	IEC 62471—2013 « ».	-
418	IEC 62504:2011 « ».	-

I 62031—2016

621.326:006.354

29.140.99
31.080.99

IDT

: , ,

10—2016/81

£.6.

26.06.2017. 05.07.2017. 60<64^
. . . 2.32. - . . 2.10. 24 . . 1121

« . 123001 , . 4.
www.90stinfo.1u info@gosinfo.ru