

E-LINE TLS

CABLE TRAY SYSTEMS



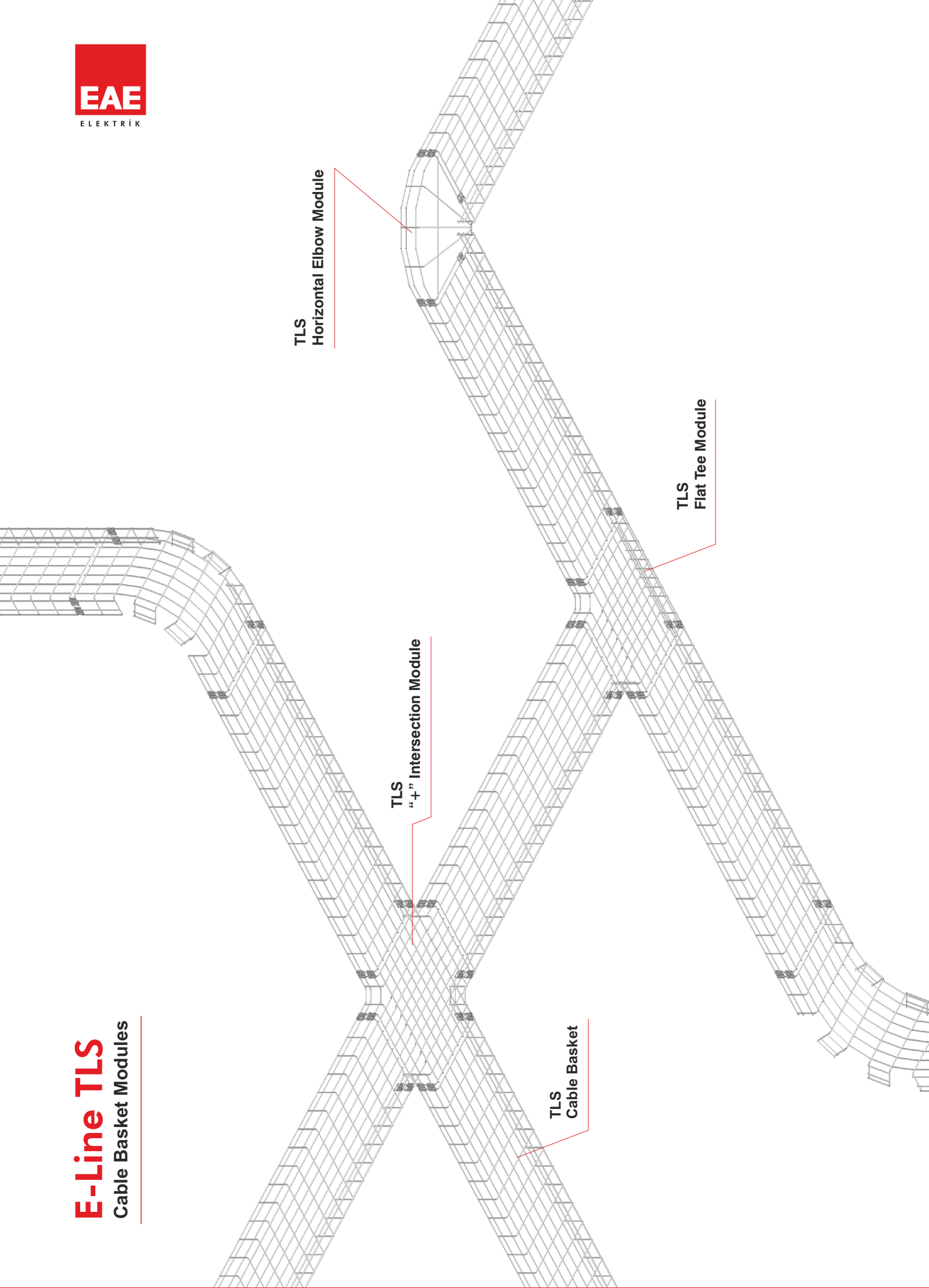
Mesh Wire Cable Tray



TLS

E-Line TLS

Cable Basket Modules



TLS
Horizontal Elbow Module

TLS
Flat Tee Module

TLS
"+" Intersection Module

TLS
Cable Basket



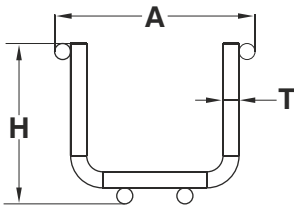
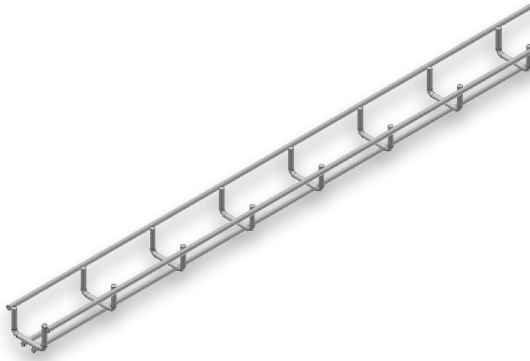
CONTENTS

2-5	Cable Baskets
6-8	TLS Modules
9-10	Cable Basket Joint Fitting
11-18	Application Examples
19-21	Horizontal Elbow Application Examples
22	Design Form

CABLE TRAY MODULES

►► **CABLE BASKET** Electrogalvanized (TS 149)

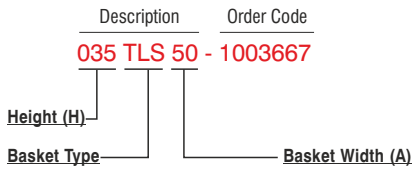
Description	H (mm)	A (mm)	T (Ø mm)	Weight (kg./m.)	Order Code
035 TLS 50	35	50	4	0,50	1003667
050 TLS 50	50	4	0,81	1003670	



H=035, single row wire.
H=050 2 row wire.

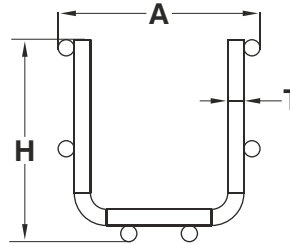
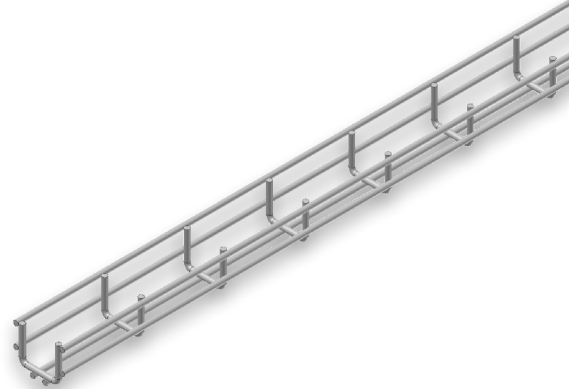
Sample Order:

Height (H): 35 mm,
Width (A): 50 mm,
Wire Thickness (T): 4 mm,
Finish Type (S): Electrogalvanized,
Module Type: Cable Basket.



►► **CABLE BASKET** Stainless Steel (AISI 304)

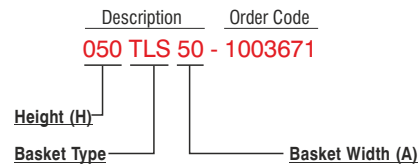
Description	H (mm)	A (mm)	T (Ø mm)	Weight (kg./m.)	Order Code
035 TLS 50	35	50	4	0,50	1003668
050 TLS 50	50	50	4	0,81	1003671



H=035, single row wire.
H=050 2 row wire.

Sample Order:

Height (H): 50 mm,
Width (A): 50 mm,
Wire Thickness (T): 4 mm,
Finish Type (S): Stainless Steel,
Module Type: Cable Basket.



- Please state the order code when ordering.
- Standard Length 3000 mm.

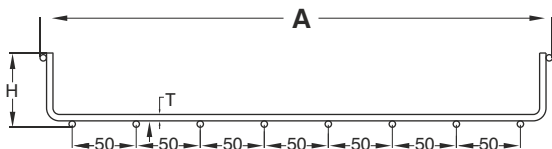
- For Hot Dipped orders please contact our company.
- When special wire tickness are being used please contact our company.
- Material weights may vary by ± 10%

►► **CABLE BASKET** Electrogalvanized (TS 149)

Description	H (mm)	A (mm)	T (Ø mm)	Weight (kg./m.)	Order Code
035 TLS 100	35	100	4	0,62	1003673
035 TLS 150	35	150	4	0,77	1003676
035 TLS 200	35	200	4	0,92	1003679
035 TLS 250	35	250	4	1,08	1003682
035 TLS 300	35	300	4	1,23	1003685
035 TLS 400	35	400	4	1,54	1003688
035 TLS 500	35	500	4	1,85	1003691
035 TLS 600	35	600	4	2,16	1003694
035 TLS 100	35	100	5	0,95	1003697
035 TLS 150	35	150	5	1,19	1003700
035 TLS 200	35	200	5	1,43	1003703
035 TLS 250	35	250	5	1,66	1003706
035 TLS 300	35	300	5	1,90	1003709
035 TLS 400	35	400	5	2,38	1003712
035 TLS 500	35	500	5	2,86	1003715
035 TLS 600	35	600	5	3,34	1003718

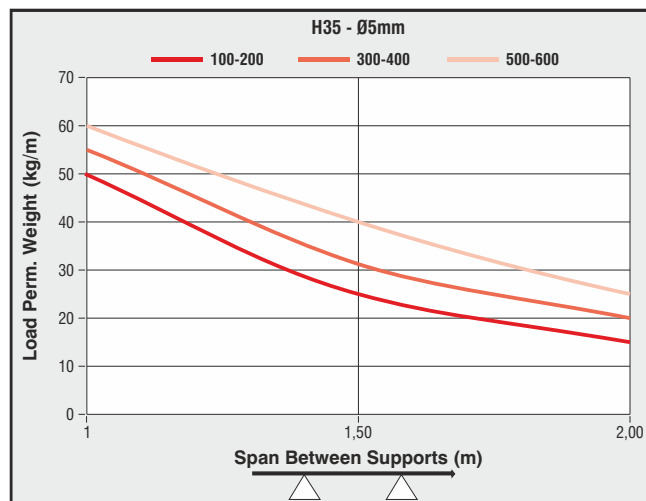
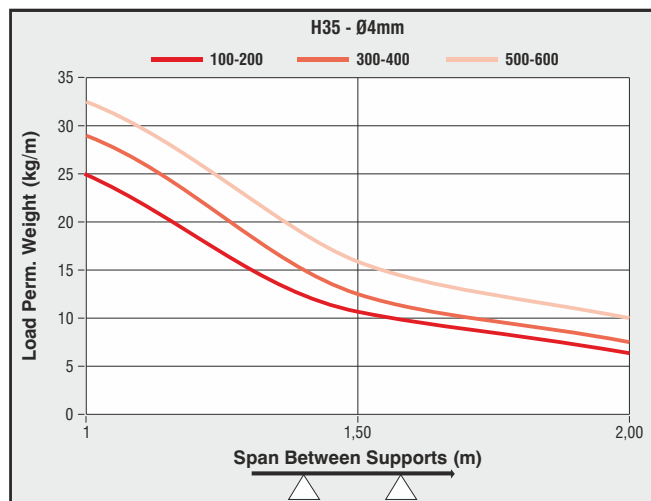
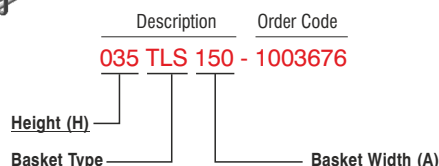
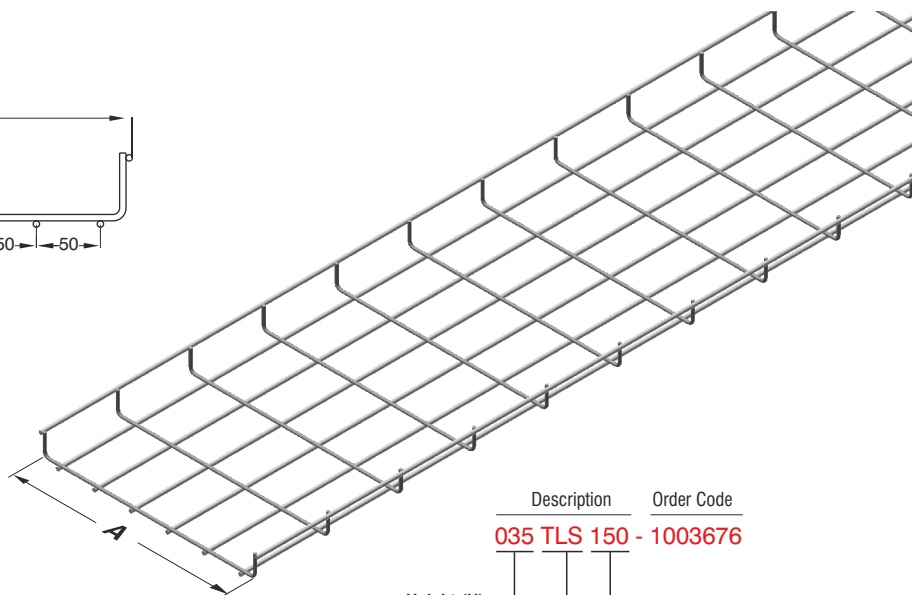
►► **CABLE BASKET** Stainless Steel (AISI 304)

Description	H (mm)	A (mm)	T (Ø mm)	Weight (kg./m.)	Order Code
035 TLS 100	35	100	4	0,62	1003674
035 TLS 150	35	150	4	0,77	1003677
035 TLS 200	35	200	4	0,92	1003680
035 TLS 250	35	250	4	1,08	1003683
035 TLS 300	35	300	4	1,23	1003686
035 TLS 400	35	400	4	1,54	1003689
035 TLS 500	35	500	4	1,85	1003692
035 TLS 600	35	600	4	2,16	1003695
035 TLS 100	35	100	5	0,95	1003698
035 TLS 150	35	150	5	1,19	1003701
035 TLS 200	35	200	5	1,43	1003704
035 TLS 250	35	250	5	1,66	1003707
035 TLS 300	35	300	5	1,90	1003710
035 TLS 400	35	400	5	2,38	1003713
035 TLS 500	35	500	5	2,86	1003716
035 TLS 600	35	600	5	3,34	1003719



H=035, single row wire.
H=055, two rows wire.
H=100, three rows wire.

Sample Order:
Height (H): 35 mm,
Width (A): 150 mm,
Cable Thickness (T): 4 mm,
Finish Type (S): Electrogalvanized,
Module Type: Cable Basket.



■ Load Perm. Weight may change +/- according to the sheet tolerance and hardness.
Please contact to your customer representative for detailed information.

■ Please state the order code when ordering.
■ Standard Length 3000 mm.

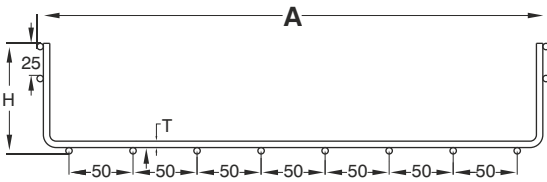
■ For Hot Dipped orders please contact our company.
■ When special wire tickness are being used please contact our company.
■ Material weights may vary by ± 10%

►► **CABLE BASKET** ElectroGalvanized (TS 149)

Description	H (mm)	A (mm)	T (Ø mm)	Weight (kg./m.)	Order Code
055 TLS 100	55	100	4	0,85	1003728
055 TLS 150	55	150	4	1,014	1003731
055 TLS 200	55	200	4	1,15	1003734
055 TLS 250	55	250	4	1,32	1003737
055 TLS 300	55	300	4	1,46	1003740
055 TLS 400	55	400	4	1,76	1003743
055 TLS 500	55	500	4	2,15	1003746
055 TLS 600	55	600	4	2,39	1003749
055 TLS 100	55	100	5	1,30	1003752
055 TLS 150	55	150	5	1,56	1003755
055 TLS 200	55	200	5	1,78	1003758
055 TLS 250	55	250	5	2,04	1003761
055 TLS 300	55	300	5	2,24	1003764
055 TLS 400	55	400	5	2,72	1003767
055 TLS 500	55	500	5	3,18	1003770
055 TLS 600	55	600	5	3,70	1003773

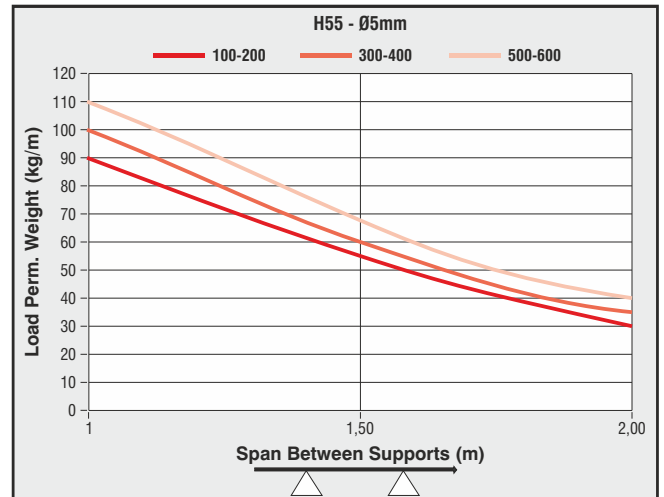
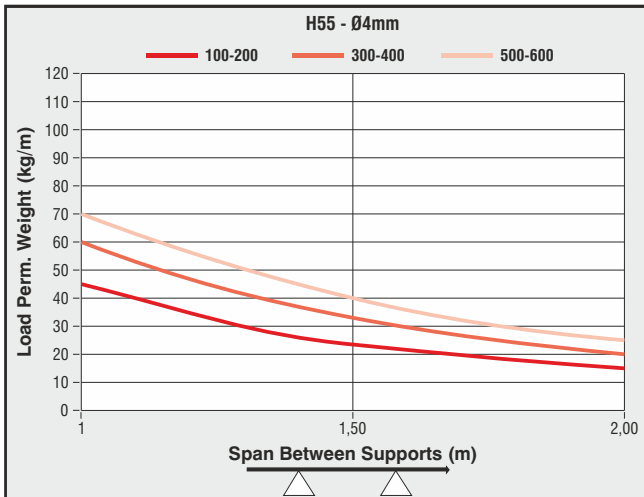
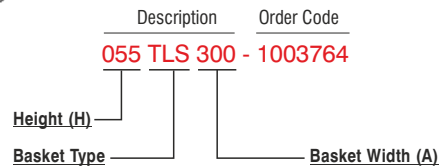
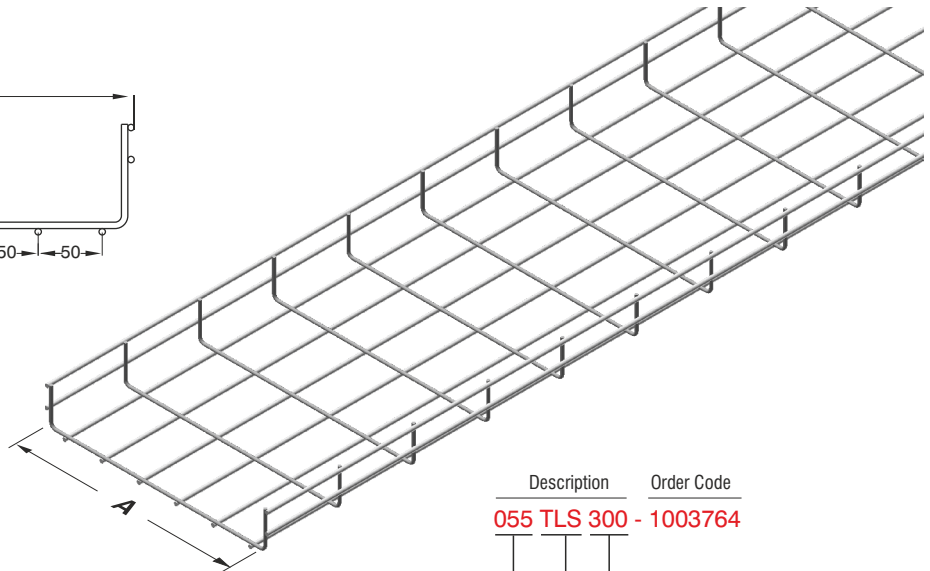
►► **CABLE BASKET** Stainless Steel (AISI 304)

Description	H (mm)	A (mm)	T (Ø mm)	Weight (kg./m.)	Order Code
055 TLS 100	55	100	4	0,85	1003729
055 TLS 150	55	150	4	1,01	1003732
055 TLS 200	55	200	4	1,15	1003735
055 TLS 250	55	250	4	1,32	1003738
055 TLS 300	55	300	4	1,46	1003741
055 TLS 400	55	400	4	1,76	1003744
055 TLS 500	55	500	4	2,15	1003747
055 TLS 600	55	600	4	2,39	1003750
055 TLS 100	55	100	5	1,30	1003753
055 TLS 150	55	150	5	1,56	1003756
055 TLS 200	55	200	5	1,78	1003759
055 TLS 250	55	250	5	2,04	1003762
055 TLS 300	55	300	5	2,24	1003765
055 TLS 400	55	400	5	2,72	1003768
055 TLS 500	55	500	5	3,18	1003771
055 TLS 600	55	600	5	3,70	1003774



H=035, single row wire.
H=055, two rows wire.
H=100, three rows wire.

Sample Order:
Height (H): 55 mm,
Width (A): 300 mm,
Wire Thickness (T): 5 mm,
Finish Type (S): ElectroGalvanized,
Module Type: Cable Basket.



■ Load Perm. Weight may change +/- according to the sheet tolerance and hardness.
Please contact to your customer representative for detailed information.

■ Please state the order code when ordering.
■ Standard Length 3000 mm.

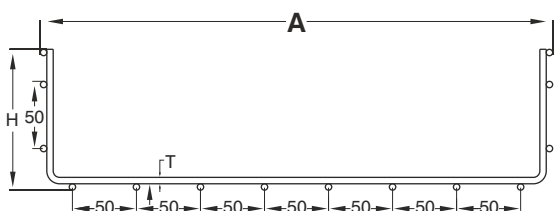
■ For Hot Dipped orders please contact our company.
■ When special wire tickness are being used please contact our company.
■ Material weights may vary by ± 10%

►► **CABLE BASKET** Electrogalvanized (TS 149)

Description	H (mm)	A (mm)	T (Ø mm)	Weight (kg./m.)	Order Code
100 TLS 200	100	200	4	1,45	1003776
100 TLS 250	100	250	4	1,60	1003779
100 TLS 300	100	300	4	1,77	1003782
100 TLS 400	100	400	4	2,07	1003785
100 TLS 500	100	500	4	2,37	1003788
100 TLS 600	100	600	4	2,70	1003791
<hr/>					
100 TLS 200	100	200	5	2,16	1003794
100 TLS 250	100	250	5	2,44	1003797
100 TLS 300	100	300	5	2,73	1003800
100 TLS 400	100	400	5	3,20	1003803
100 TLS 500	100	500	5	3,65	1003806
100 TLS 600	100	600	5	4,17	1003809

►► **CABLE BASKET** Stainless Steel (AISI 304)

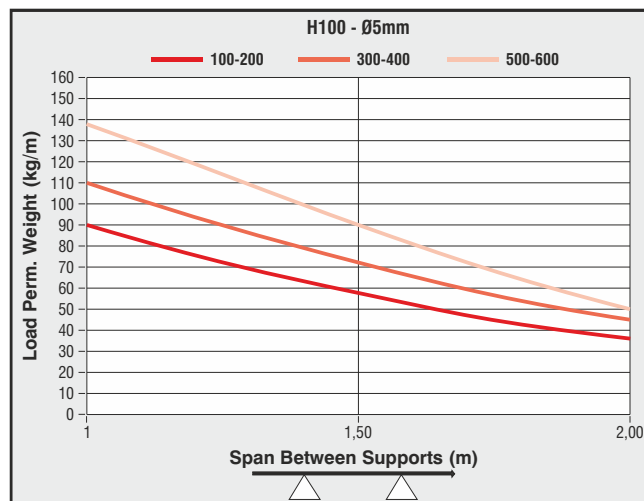
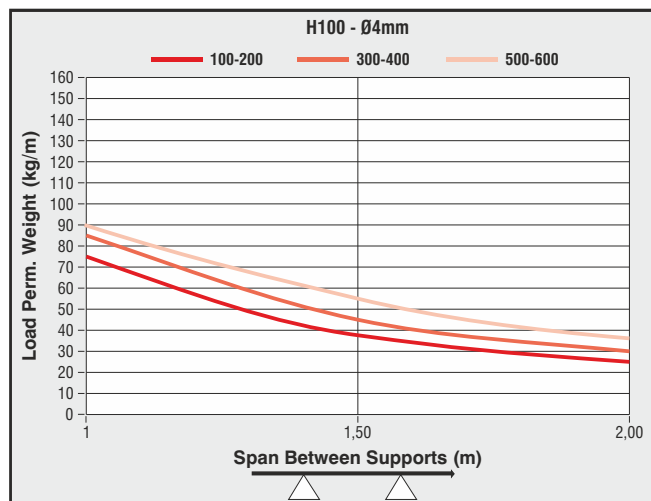
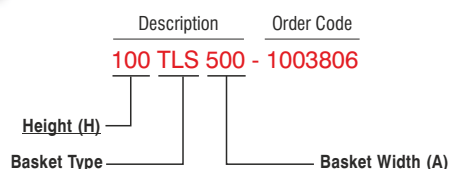
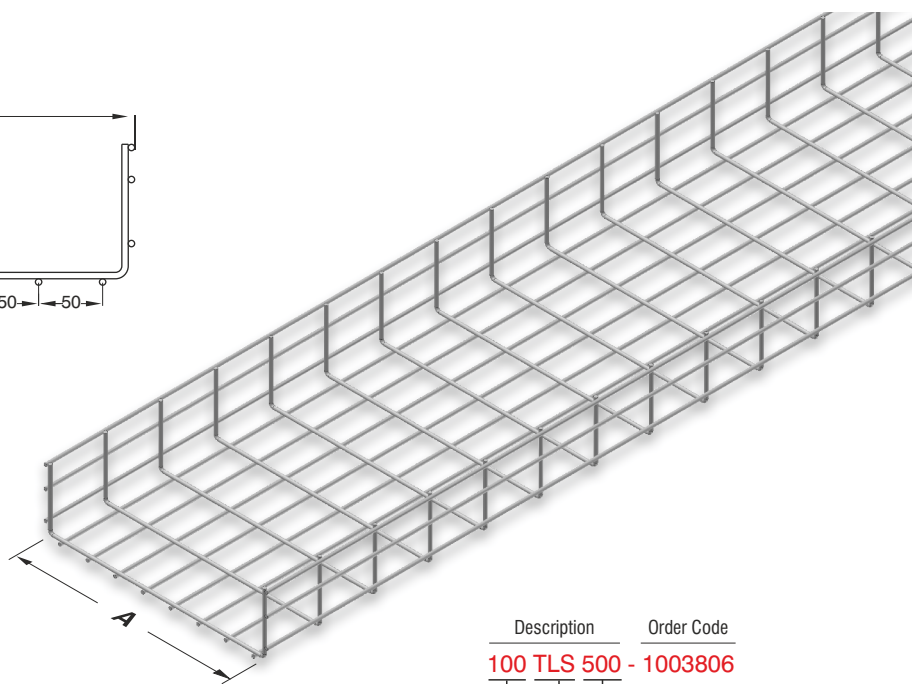
Description	H (mm)	A (mm)	T (Ø mm)	Weight (kg./m.)	Order Code
100 TLS 200	100	200	4	1,45	1003777
100 TLS 250	100	250	4	1,60	1003780
100 TLS 300	100	300	4	1,77	1003783
100 TLS 400	100	400	4	2,07	1003786
100 TLS 500	100	500	4	2,37	1003789
100 TLS 600	100	600	4	2,70	1003792
<hr/>					
100 TLS 200	100	200	5	2,16	1003795
100 TLS 250	100	250	5	2,44	1003798
100 TLS 300	100	300	5	2,73	1003801
100 TLS 400	100	400	5	3,20	1003804
100 TLS 500	100	500	5	3,65	1003807
100 TLS 600	100	600	5	4,17	1003810



H=035, single row wire.
H=055, two rows wire.
H=100, three rows wire.

Sample Order:

Height (H): 100 mm,
Width (A): 500 mm,
Wire Thickness (T): 5 mm,
Finish Type (S): Electrogalvanized,
Module Type: Cable Basket.



■ Load Perm. Weight may change +/- according to the sheet tolerance and hardness.

Please contact to your customer representative for detailed information.

- Please state the order code when ordering.
- Standard Length 3000 mm.

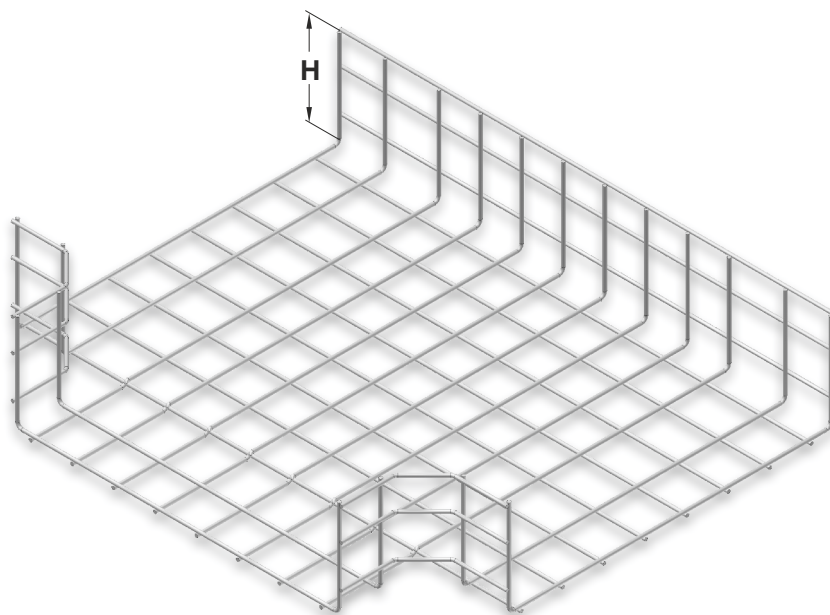
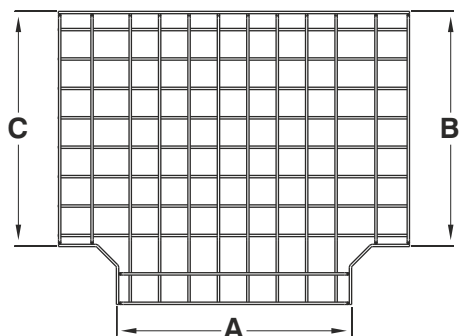
- For Hot Dipped orders please contact our company.
- When special wire tickness are being used please contact our company.
- Material weights may vary by ± 10%

►► **TLS "T" ELBOW MODULE** Electrogalvanized (TS 149)

Description	H (mm)	ABC (mm)	T (Ø mm)	Weight (kg./pc.)	Order Code
055 TLS 100 YT	55	100	4	2,58	1004949
055 TLS 150 YT	55	150	4	2,72	1004950
055 TLS 200 YT	55	200	4	2,86	1004951
055 TLS 250 YT	55	250	4	3,22	1004952
055 TLS 300 YT	55	300	4	3,58	1004953
055 TLS 400 YT	55	400	4	4,19	1004954
055 TLS 500 YT	55	500	4	5,08	1004955
055 TLS 600 YT	55	600	4	5,64	1004956
<hr/>					
100 TLS 200 YT	100	200	4	3,56	1004957
100 TLS 250 YT	100	250	4	3,89	1004958
100 TLS 300 YT	100	300	4	4,19	1004959
100 TLS 400 YT	100	400	4	4,94	1004960
100 TLS 500 YT	100	500	4	5,64	1004961
100 TLS 600 YT	100	600	4	6,33	1004962

►► **TLS "T" ELBOW MODULE** Stainless Steel (AISI 304)

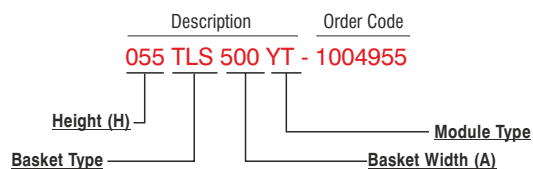
Description	H (mm)	ABC (mm)	T (Ø mm)	Weight (kg./pc.)	Order Code
055 TLS 100 YT	55	100	4	2,58	1003872
055 TLS 150 YT	55	150	4	2,72	1003874
055 TLS 200 YT	55	200	4	2,86	1003876
055 TLS 250 YT	55	250	4	3,22	1003878
055 TLS 300 YT	55	300	4	3,58	1003880
055 TLS 400 YT	55	400	4	4,19	1003882
055 TLS 500 YT	55	500	4	5,08	1003884
055 TLS 600 YT	55	600	4	5,64	1003886
<hr/>					
100 TLS 200 YT	100	200	4	3,56	1003888
100 TLS 250 YT	100	250	4	3,89	1003890
100 TLS 300 YT	100	300	4	4,19	1003892
100 TLS 400 YT	100	400	4	4,94	1003894
100 TLS 500 YT	100	500	4	5,64	1003896
100 TLS 600 YT	100	600	4	6,33	1003898



H=055, two rows wire.
H=100, three rows wire.

Sample Order:

Height (H): 55 mm,
Width (A): 500 mm,
Wire Thickness (T): 4 mm,
Finish Type (S): Electrogalvanized,
Module Type: "T" Elbow Module



■ Please state the order code when ordering.

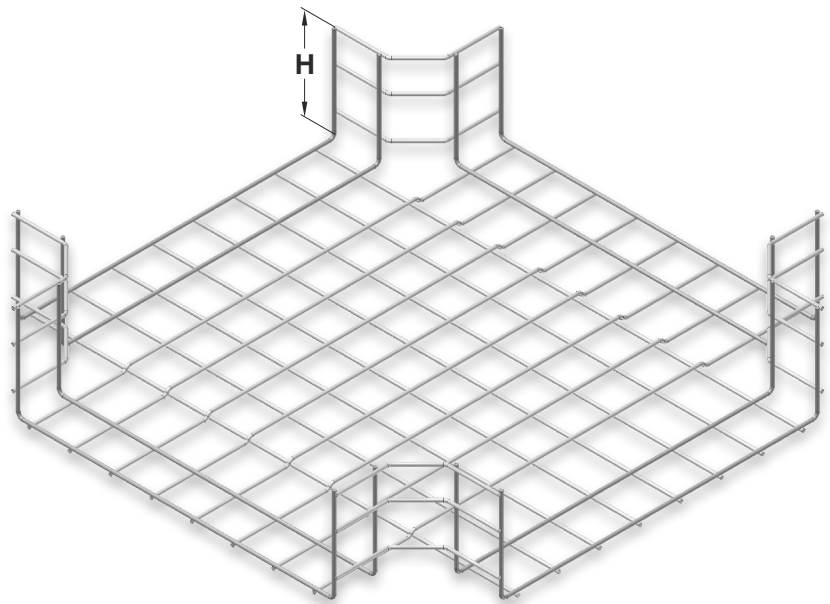
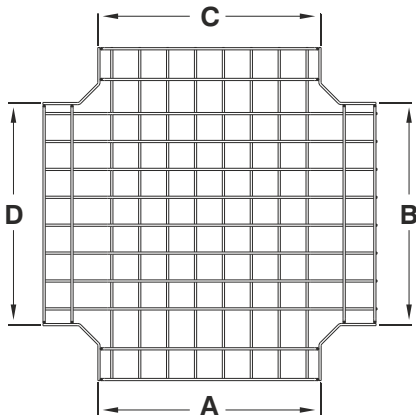
■ When special wire tickness are being used please contact our company.
■ Material weights may vary by ± 10%

►► **TLS “+” INTERSECTION MODULE** Electrogalvanized (TS 149)

Description	H (mm)	ABC (mm)	T (Ø mm)	Weight (kg./pc.)	Order Code
055 TLS 100 AD	55	100	4	3,86	1004971
055 TLS 150 AD	55	150	4	4,08	1004972
055 TLS 200 AD	55	200	4	4,31	1004973
055 TLS 250 AD	55	250	4	4,86	1004974
055 TLS 300 AD	55	300	4	5,39	1004975
055 TLS 400 AD	55	400	4	6,31	1004976
055 TLS 500 AD	55	500	4	7,64	1004977
055 TLS 600 AD	55	600	4	8,42	1004978
100 TLS 200 AD	100	200	4	5,31	1004979
100 TLS 250 AD	100	250	4	5,78	1004980
100 TLS 300 AD	100	300	4	6,25	1004981
100 TLS 400 AD	100	400	4	7,39	1004982
100 TLS 500 AD	100	500	4	8,11	1004983
100 TLS 600 AD	100	600	4	9,47	1004984

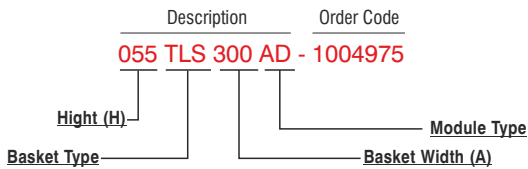
►► **TLS “+” INTERSECTION MODULE** Stainless Steel (AISI 304)

Description	H (mm)	ABC (mm)	T (Ø mm)	Weight (kg./pc.)	Order Code
055 TLS 100 AD	55	100	4	3,86	1003916
055 TLS 150 AD	55	150	4	4,08	1003918
055 TLS 200 AD	55	200	4	4,31	1003920
055 TLS 250 AD	55	250	4	4,86	1003922
055 TLS 300 AD	55	300	4	5,39	1003924
055 TLS 400 AD	55	400	4	6,31	1003926
055 TLS 500 AD	55	500	4	7,64	1003928
055 TLS 600 AD	55	600	4	8,42	1003930
100 TLS 200 AD	100	200	4	5,31	1003932
100 TLS 250 AD	100	250	4	5,78	1003934
100 TLS 300 AD	100	300	4	6,25	1003936
100 TLS 400 AD	100	400	4	7,39	1003938
100 TLS 500 AD	100	500	4	8,11	1003940
100 TLS 600 AD	100	600	4	9,47	1003942



H=055, two rows wire.
H=100, three rows wire.

Sample Order:
Height (H): 55 mm,
Width (A): 300 mm,
Wire Thickness (T): 4 mm,
Finish Type (S): Electrogalvanized,
Module Type: “+” Intersection Module



■ Please state the order code when ordering.

■ When special wire tickness are being used please contact our company.
■ Material weights may vary by ± 10%

►► **CABLE BASKET JOINT FITTING** Electrogalvanized (TS 149)

Description	H (mm)	A (mm)	B (mm)	C (mm)	T (mm)	Weight (kg./set.)	Order Code
CABLE BASKET JOINT FITTING	5	25	30	7,5	2,5	0,040	3000624

►► **ROUND HEAD BOLT SET** Electrogalvanized (TS 149)

Description	Weight (kg./set.)	Order Code
M6X20 ROUND HEAD BOLT SET	0,020	1002984

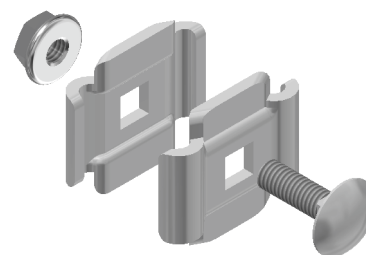
►► **CABLE BASKET JOINT FITTING** Stainless Steel (AISI 304)

Description	H (mm)	A (mm)	B (mm)	C (mm)	T (mm)	Weight (kg./set.)	Order Code
CABLE BASKET JOINT FITTING	5	25	30	7,5	2,5	0,040	3000625

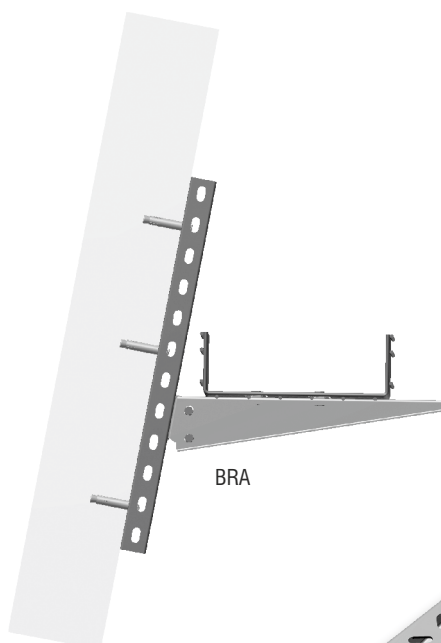
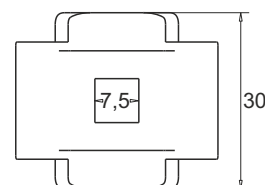
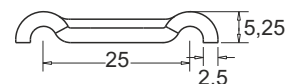
►► **ROUND HEAD BOLT SET** Stainless Steel (AISI 304)

Description	Weight (kg./set.)	Order Code
M6X20 ROUND HEAD BOLT SET	0,020	1000923

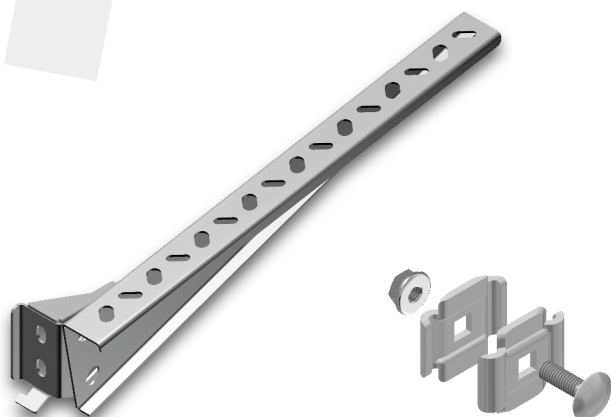
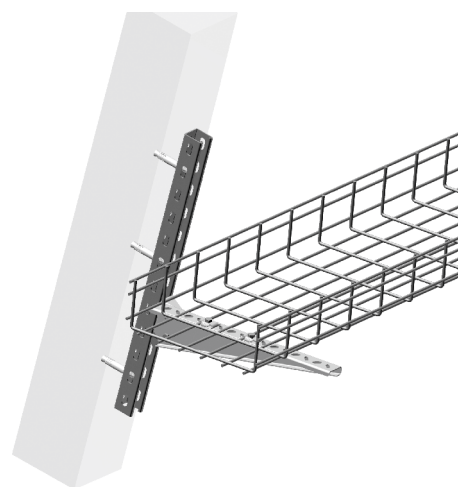
►► **STANDARD INSTALLATION APPLICATION**



Cable Basket Joint Fitting Assembly; 1 piece M6x20 Bolt, 1 piece M6 Nut is needed.



BRA



Angled Assembly Module

Cable Basket Joint Fitting

■ Please state the order code when ordering.

■ For the ordering of Fixing or any other accessories please check E-Line Cable Tray System catalogues.

■ When special wire tickness are being used please contact our company.

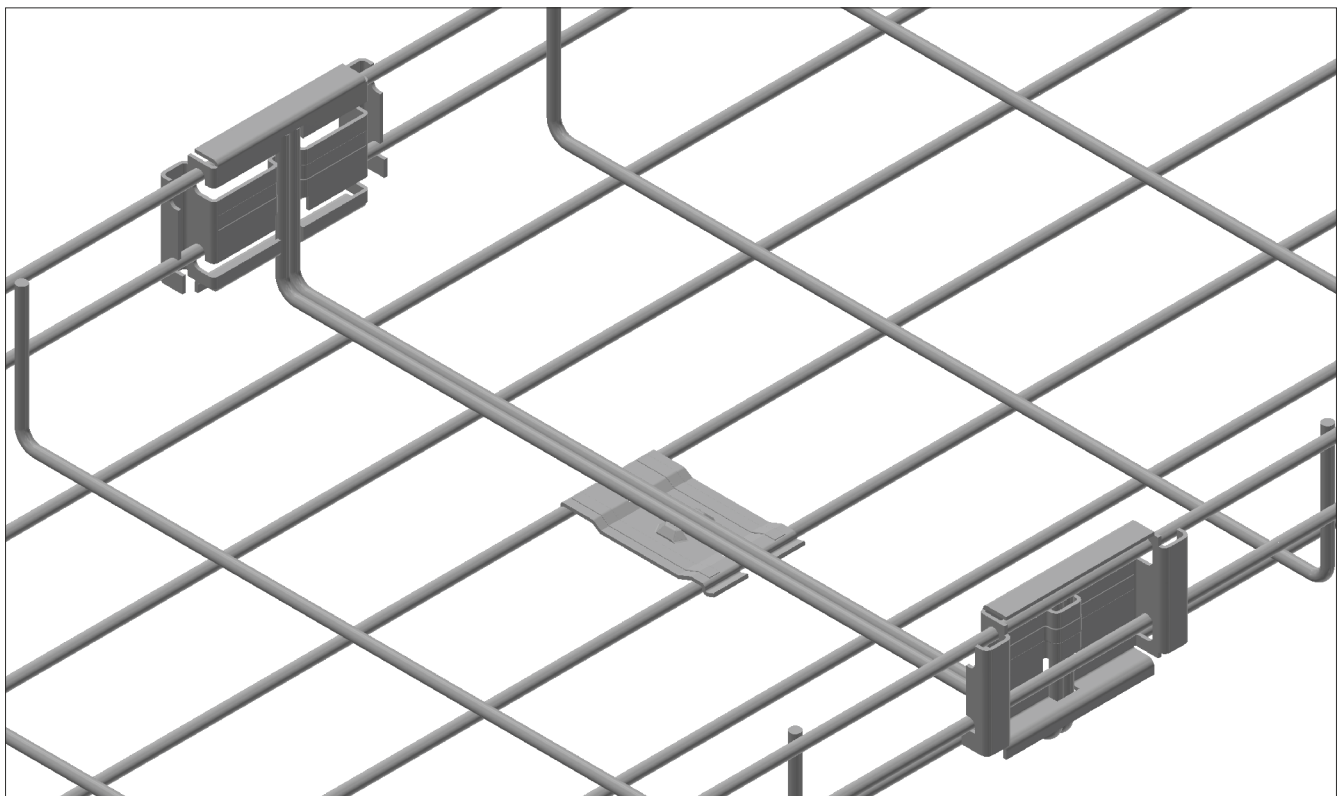
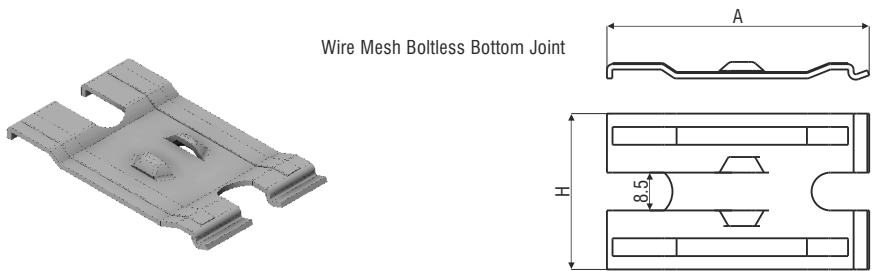
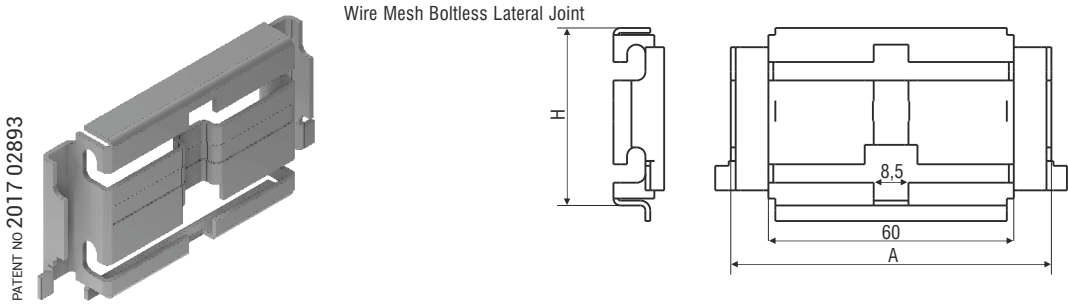
■ Material weights may vary by ± 10%



►► Cable **Basket Joint Fitting** ElectroGalvanized (TS 149)

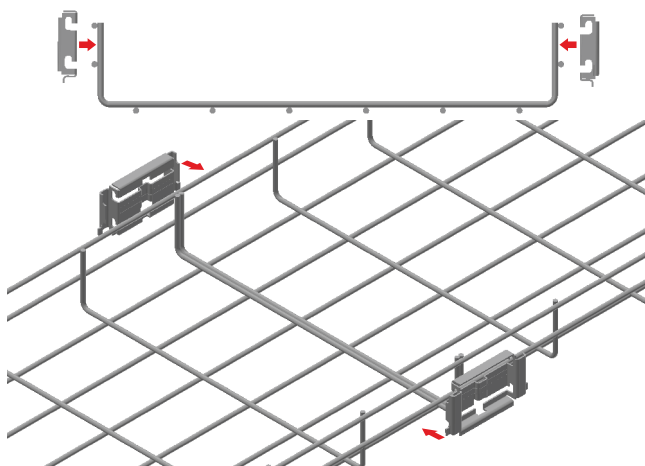
Description	H (mm)	A (mm)	T (mm)	Weight (kg./pc.)	Order Code
WIRE CONDUIT JOINT (Boltless)	45	78	1,2	0,047	3108825
WIRE CONDUIT JOINT (Boltless Bottom)	35	1,2	0,020	3125835	

- Wire Mesh Boltless Lateral Joint is used in Ø 4 mm / H: 055 - H: 100 / A : 100-250-300-400-500-600 Wire Cable Mesh.
- Wire Mesh Boltless Lateral Joint is not used in Ø 5 mm Wire Cable Mesh
- 1 piece of Wire Mesh Boltless Bottom Joint is used for A:200-250 where 2 pieces are used for A: 300-400 and 3 pieces are used for A: 500-600.

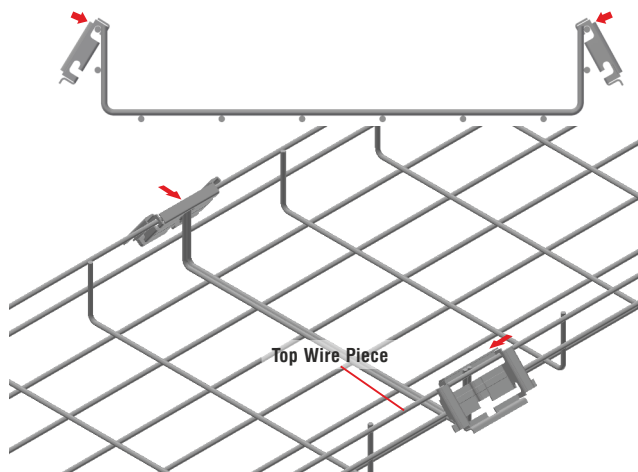


- Please state the order code when ordering.
- For the ordering of Fixing or any other accessories please check E-Line Cable Tray System catalogues.
- When special wire tickness are being used please contact our company.
- Material weights may vary by ± 10%

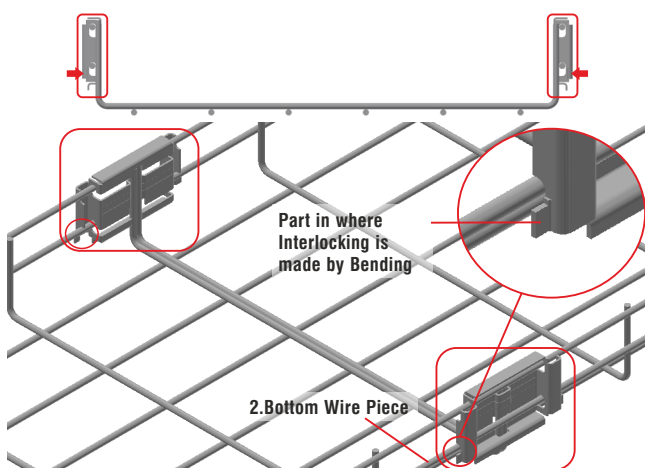
►► APPLICATION EXAMPLES



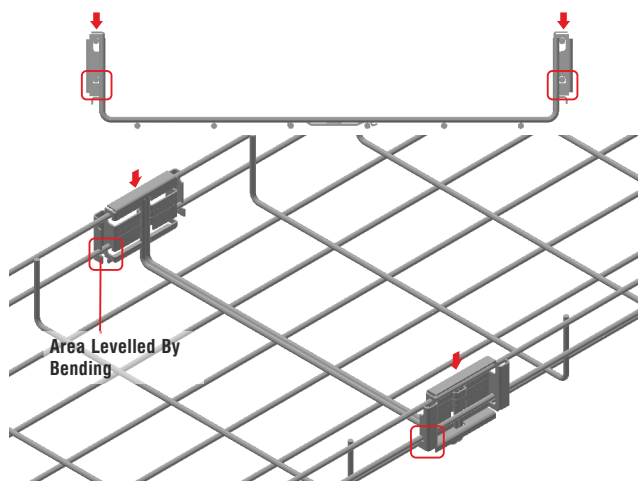
■ Wire mesh bottless lateral joint elements are aligned on junction wires of two wire mesh as shown on the figure.



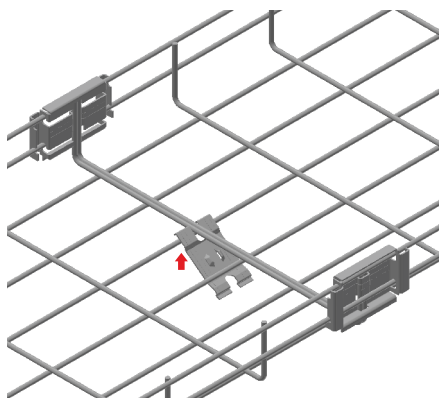
■ Upper wire slot of the lateral joint element is placed as angular on upper wire of wire mesh.



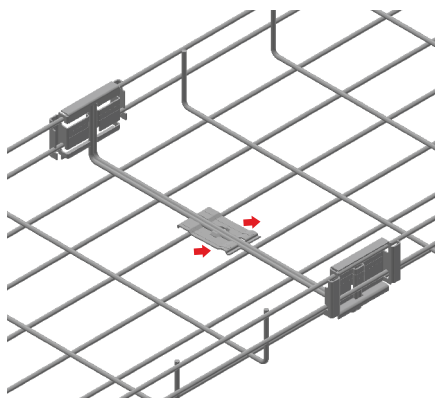
■ Bottom wire mesh of the lateral joint element is placed on the bottom wire of the wire mesh.



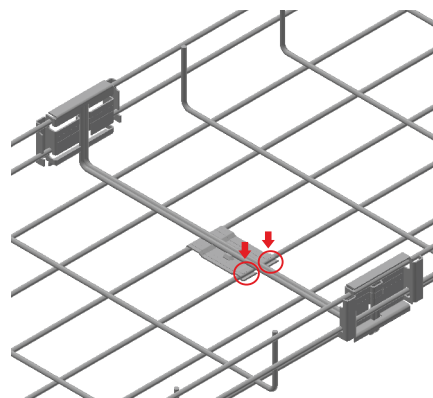
■ Wire mesh tray lateral joint elements are clamped by hand towards top to down direction. The assembly step shall be completed by bending 2 latches corresponding to the lower part of the bottom wire with the help of a pincer with an angle of 90°.



■ Bottom Joint element is fixed from the lower side of the conduit as shown in the figure.



■ Bottom Joint element is slid upon levelling after passing through the bottom of the conduit.



■ Interlocking process is performed by pressing tips of bottom joint element by hand.

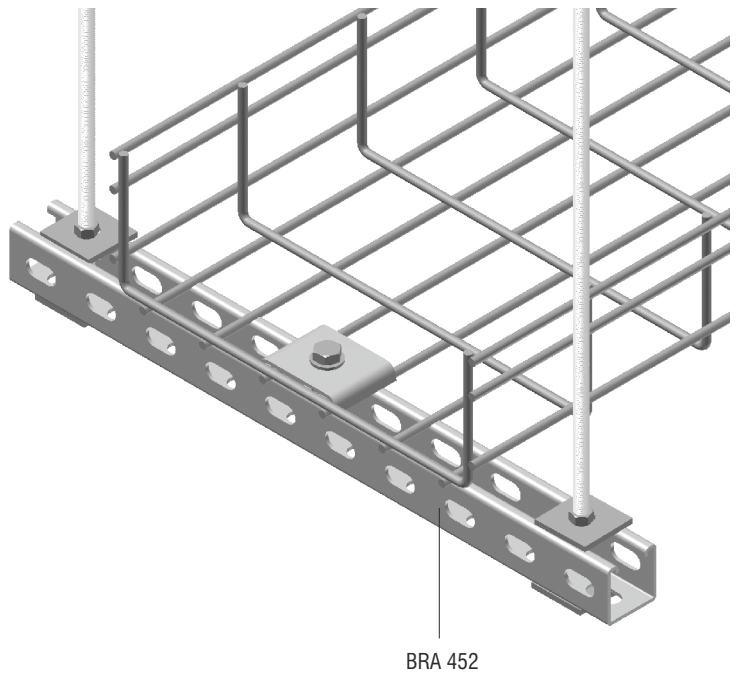
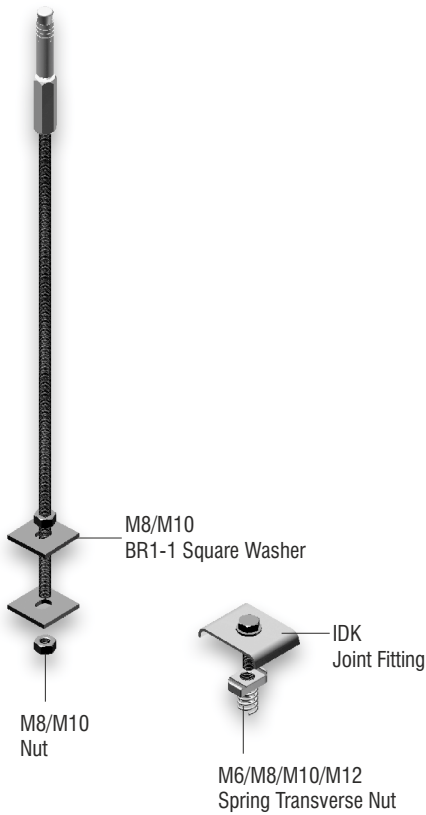
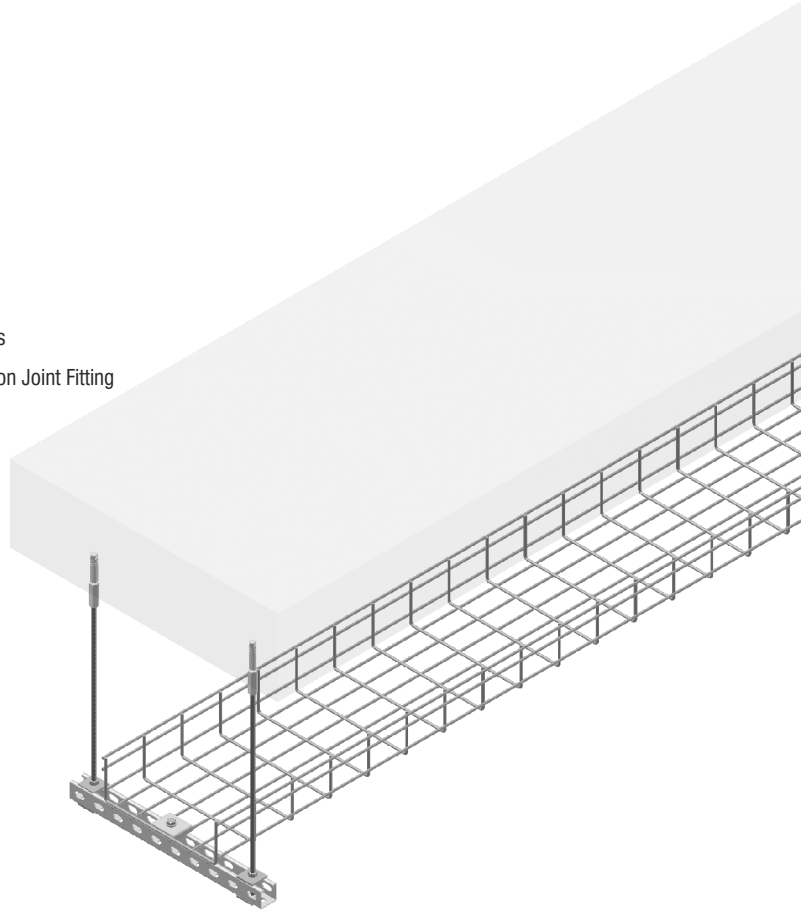
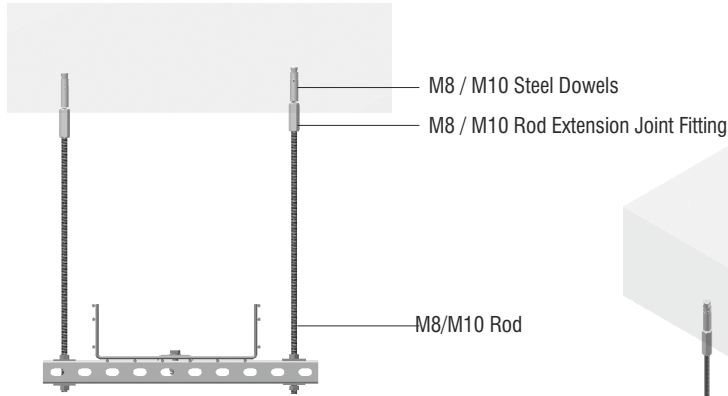
■ Please state the order code when ordering.

■ For the ordering of Fixing or any other accessories please check E-Line Cable Tray System catalogues.

■ When special wire tickness are being used please contact our company.

■ Material weights may vary by $\pm 10\%$

▶▶ APPLICATION EXAMPLES



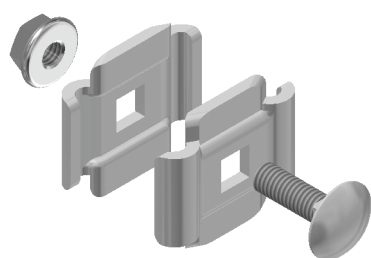
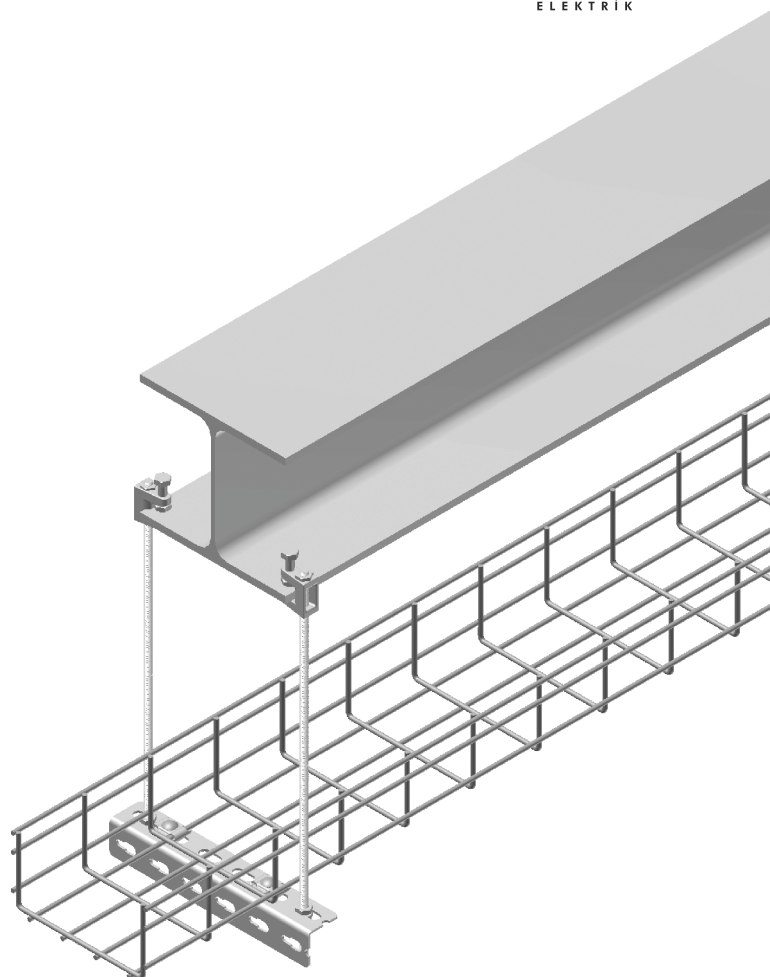
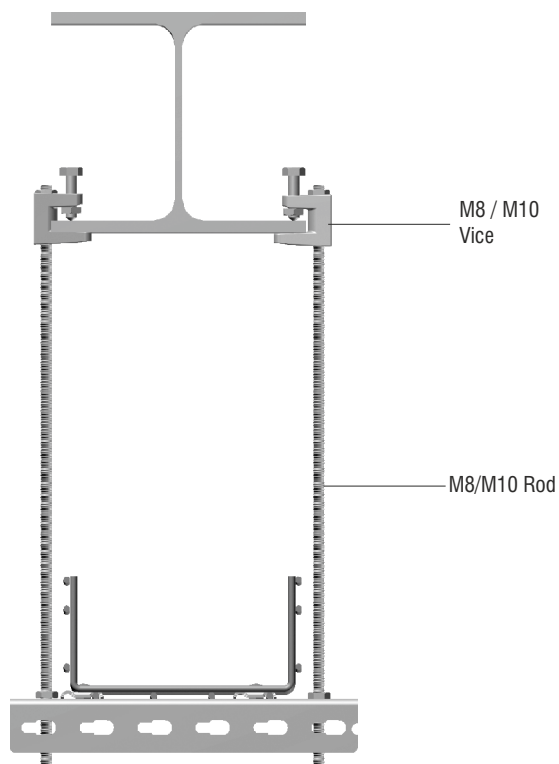
■ Please state the order code when ordering.

■ For the ordering of Fixing or any other accessories please check E-Line Cable Tray System catalogues.

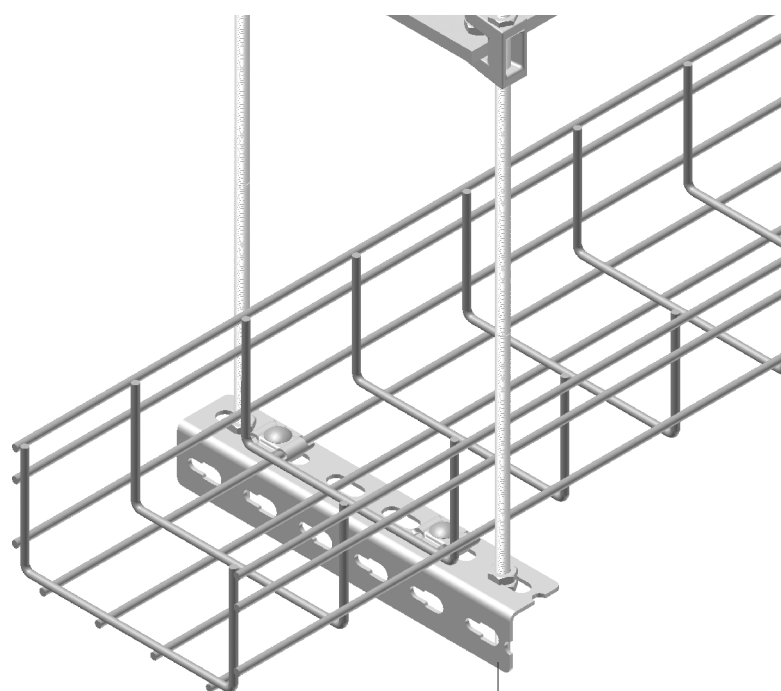
■ When special wire tickness are being used please contact our company.

■ Material weights may vary by $\pm 10\%$

▶▶ APPLICATION EXAMPLES



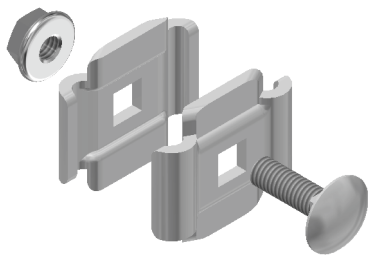
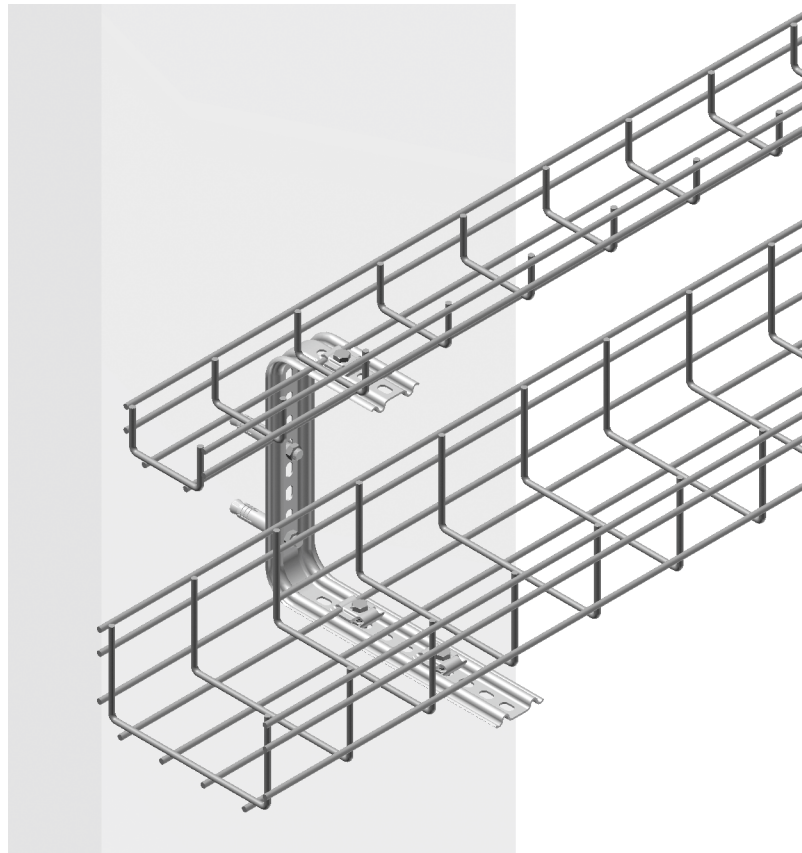
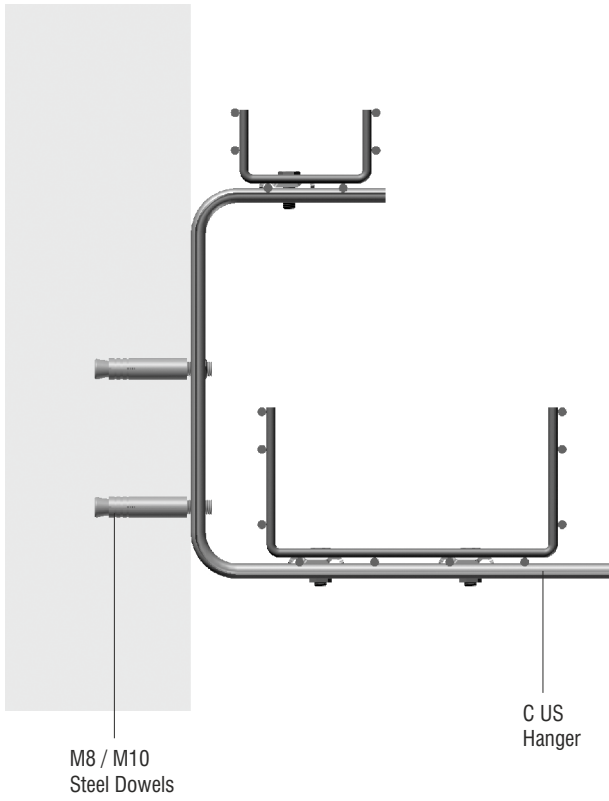
Cable Basket Joint Fitting



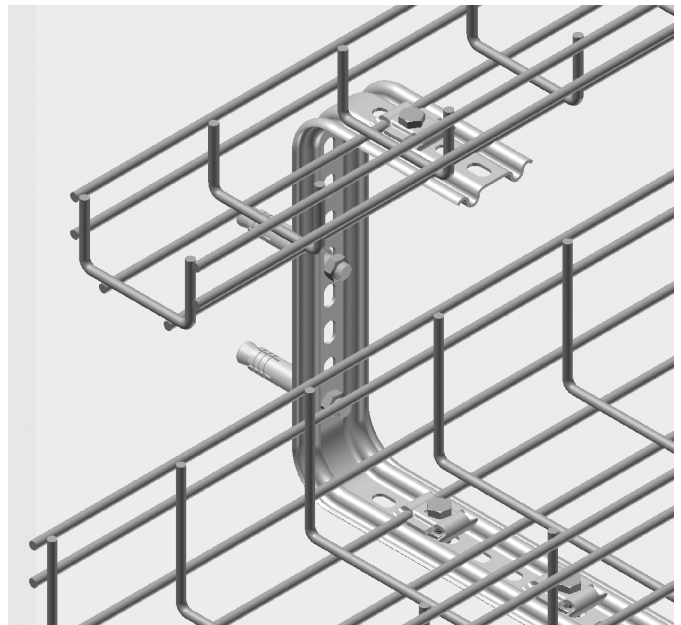
- Please state the order code when ordering.
- For the ordering of Fixing or any other accessories please check E-Line Cable Tray System catalogues.

- When special wire tickness are being used please contact our company.
- Material weights may vary by $\pm 10\%$

▶▶ APPLICATION EXAMPLES



Cable Basket Joint Fitting



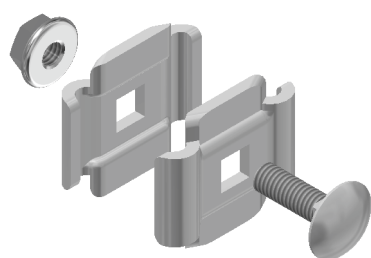
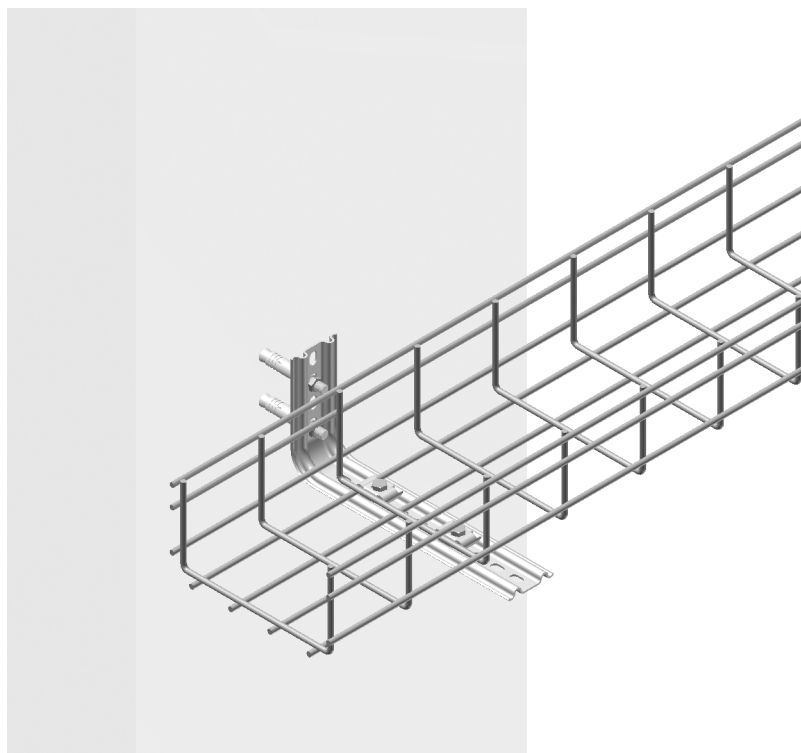
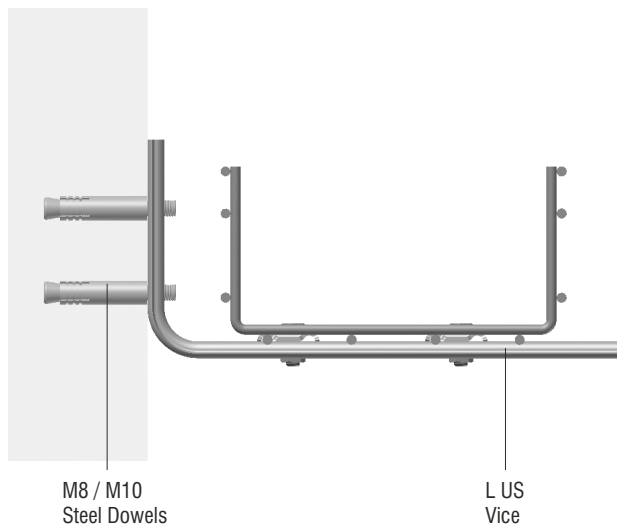
■ Please state the order code when ordering.

■ For the ordering of Fixing or any other accessories please check E-Line Cable Tray System catalogues.

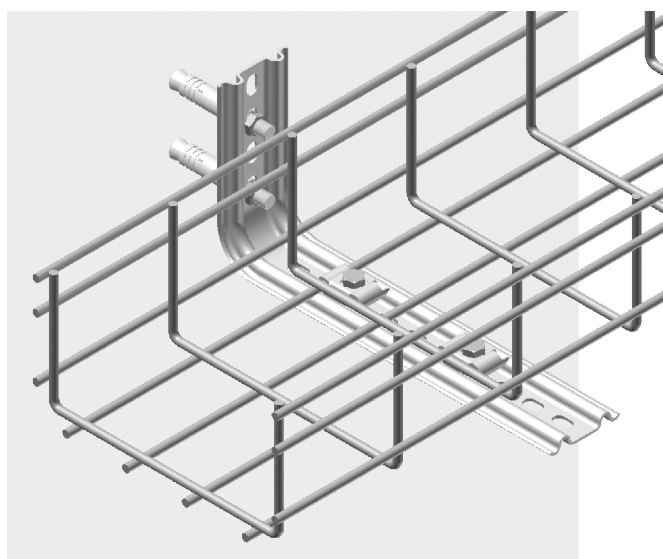
■ When special wire tickness are being used please contact our company.

■ Material weights may vary by $\pm 10\%$

▶▶ APPLICATION EXAMPLES



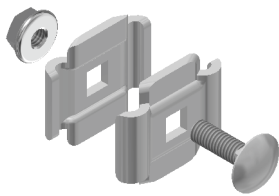
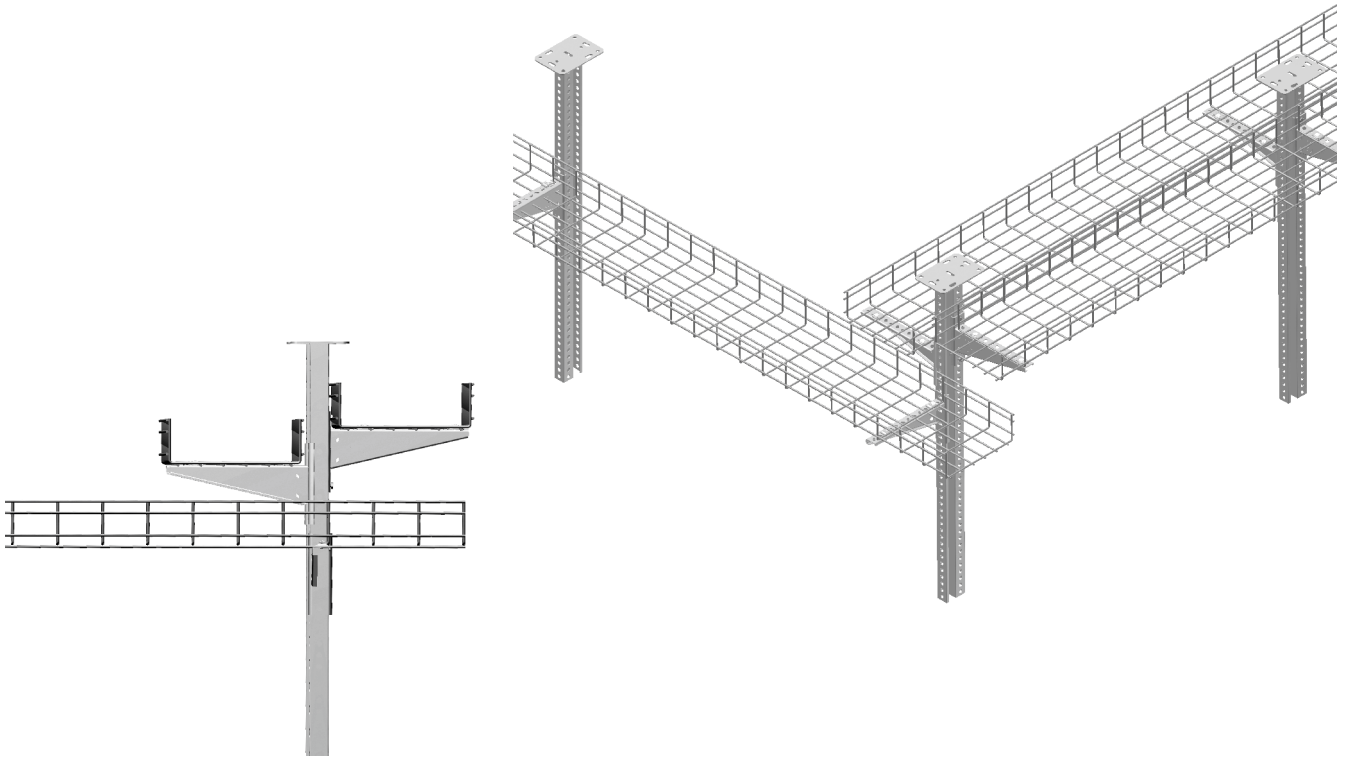
Cable Basket Joint Fitting



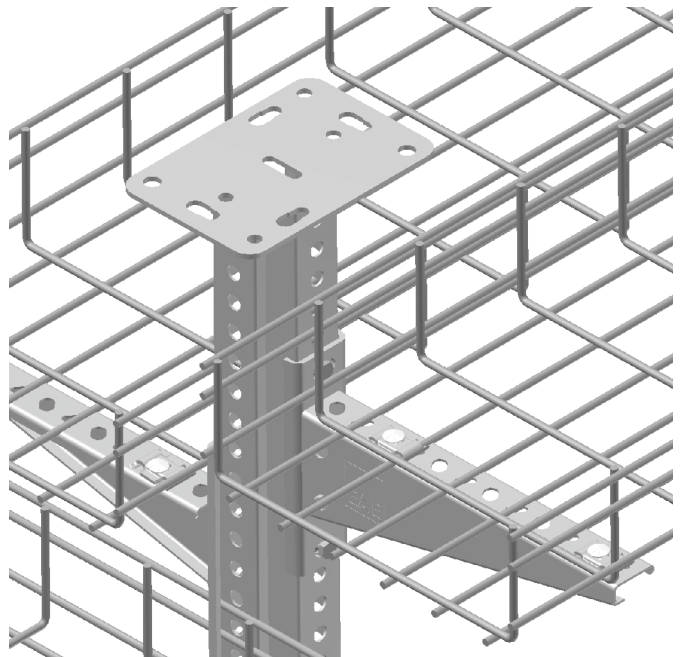
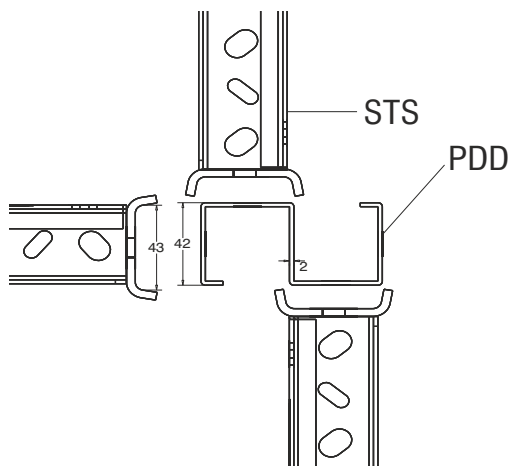
- Please state the order code when ordering.
- For the ordering of Fixing or any other accessories please check E-Line Cable Tray System catalogues.

- When special wire tickness are being used please contact our company.
- Material weights may vary by $\pm 10\%$

▶▶ APPLICATION EXAMPLES



Cable Basket Joint Fitting



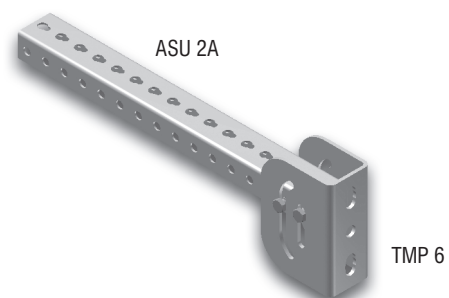
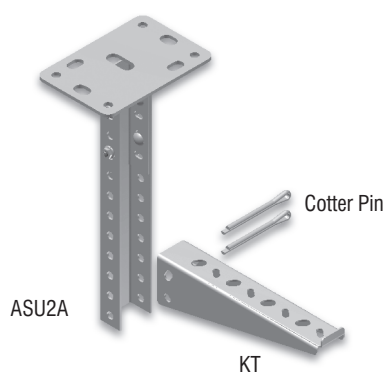
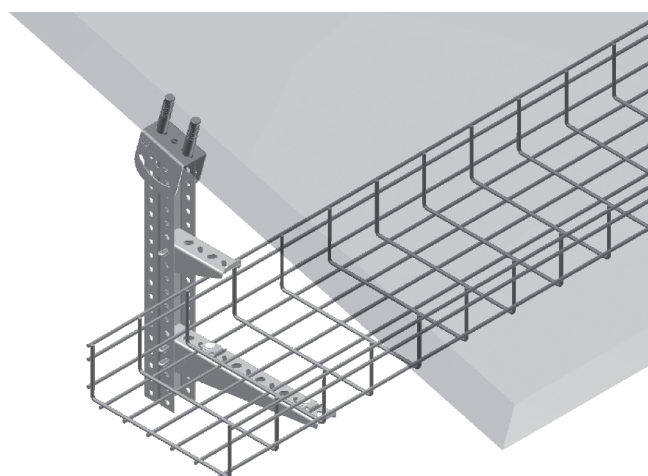
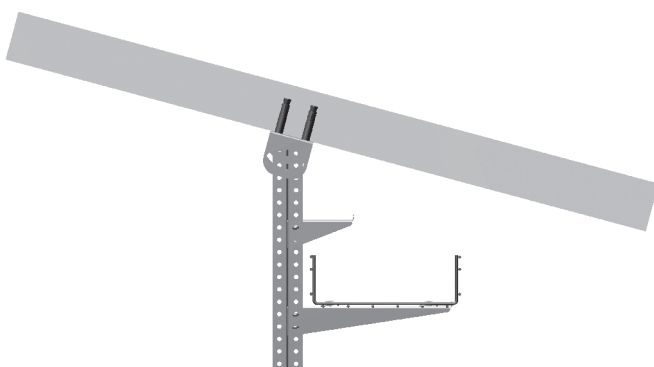
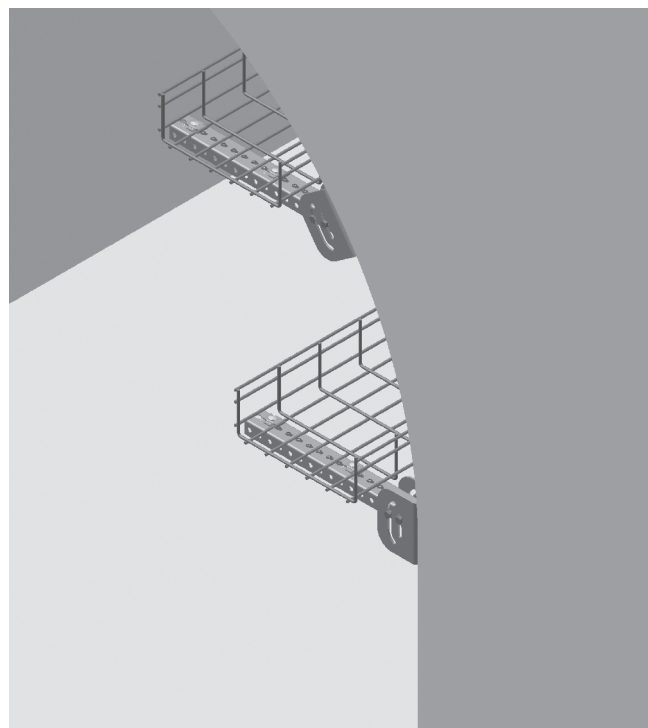
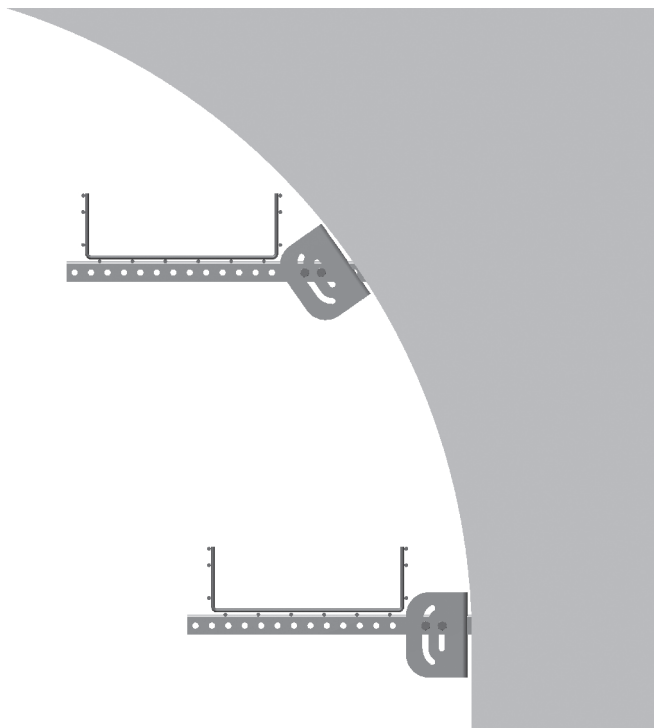
■ Please state the order code when ordering.

■ For the ordering of Fixing or any other accessories please check E-Line Cable Tray System catalogues.

■ When special wire tickness are being used please contact our company.

■ Material weights may vary by $\pm 10\%$

▶▶ APPLICATION EXAMPLES



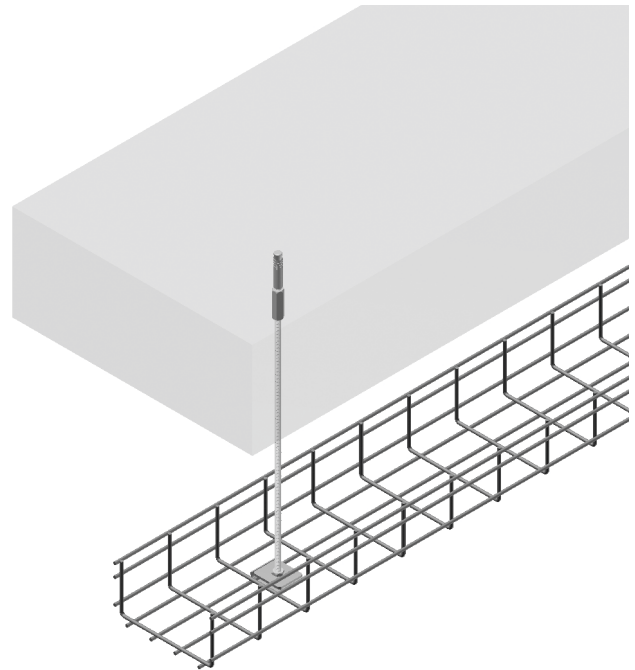
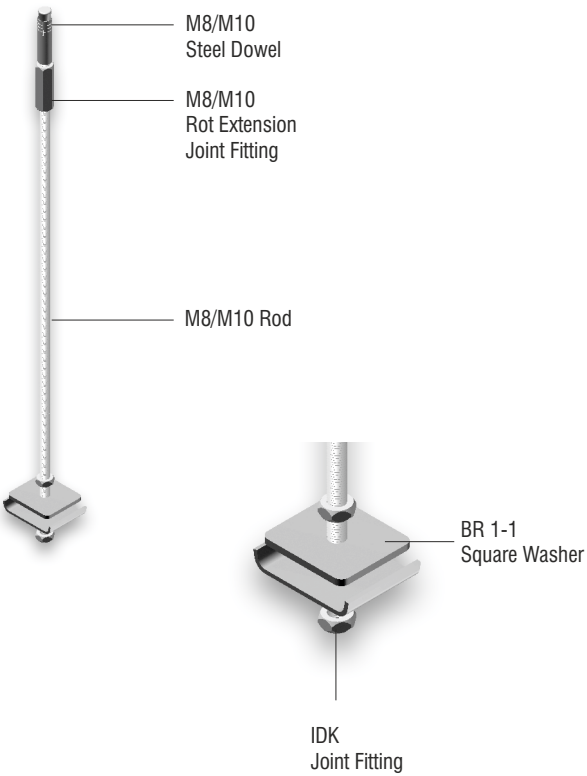
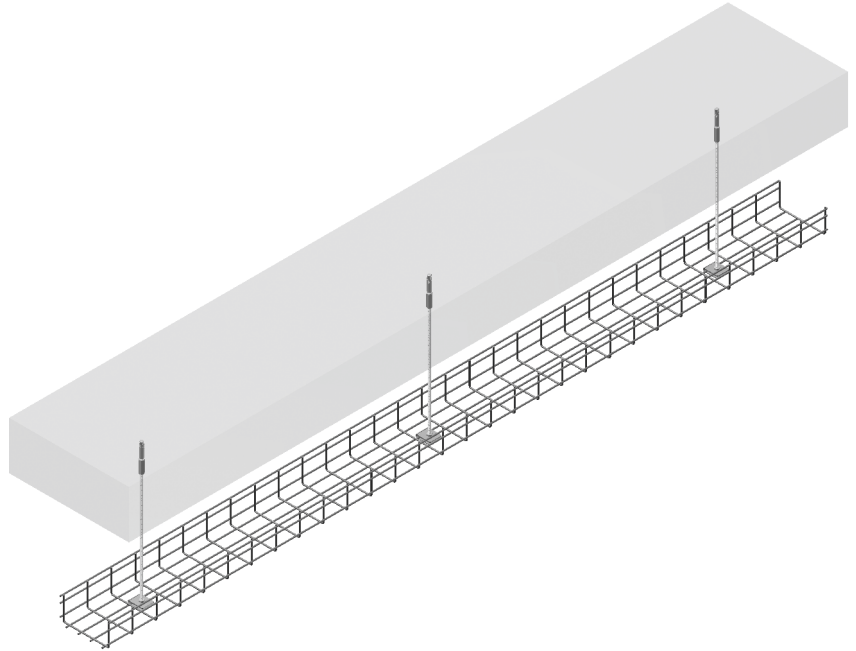
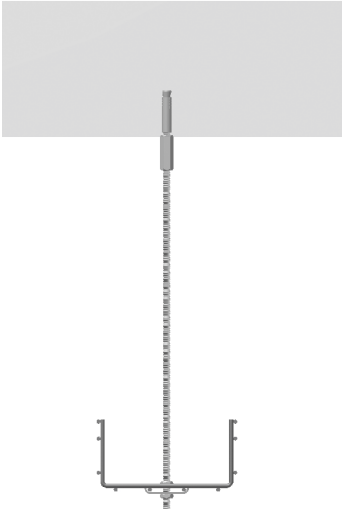
■ Please state the order code when ordering.

■ For the ordering of Fixing or any other accessories please check E-Line Cable Tray System catalogues.

■ When special wire thickness are being used please contact our company.

■ Material weights may vary by $\pm 10\%$

▶▶ APPLICATION EXAMPLES



■ Please state the order code when ordering.

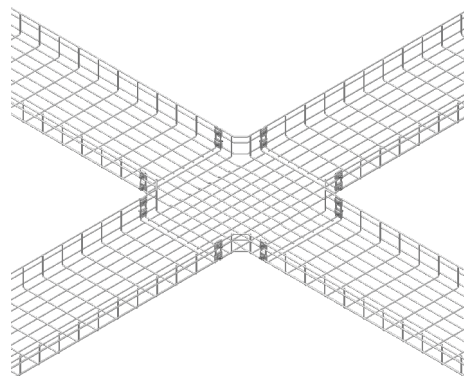
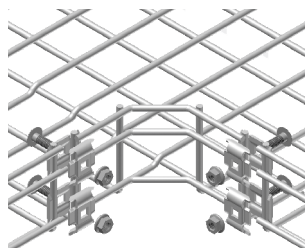
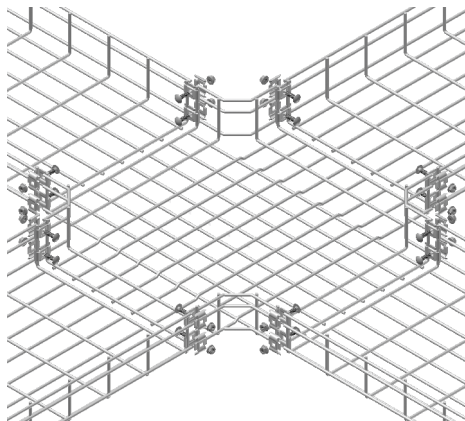
■ For the ordering of Fixing or any other accessories please check E-Line Cable Tray System catalogues.

■ When special wire tickness are being used please contact our company.

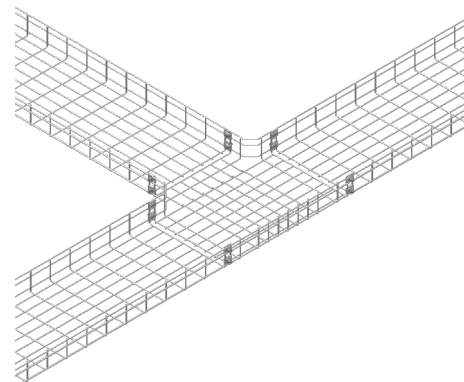
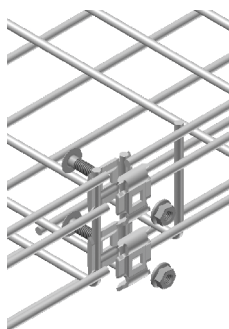
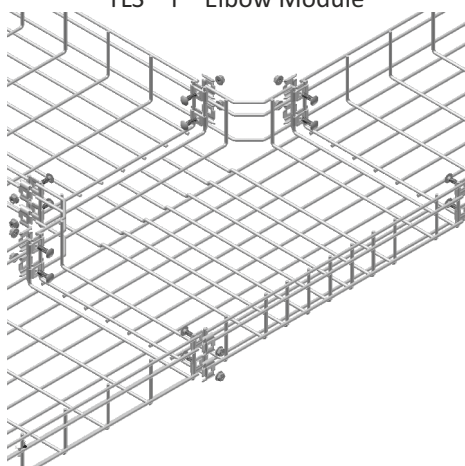
■ Material weights may vary by $\pm 10\%$

▶▶ APPLICATION EXAMPLES

TLS " + " Intersection Module

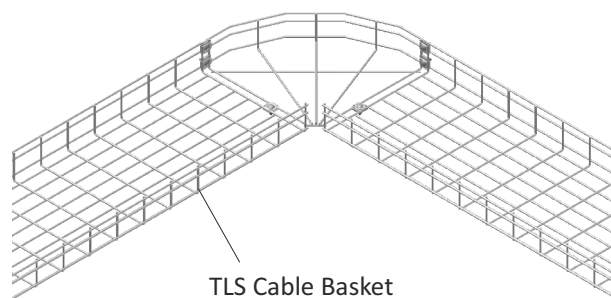
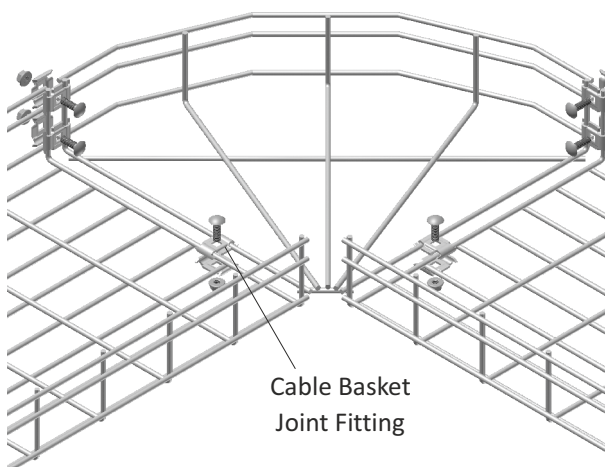


TLS " T " Elbow Module



Explanation: For Side Heights of H=35, H=55 : 2 Pieces Of Joint Fittings Are Used For Side Height Of H=100 : 4 Pieces Of Joint Fittings Are Used.

TLS Horizontal Elbow Module

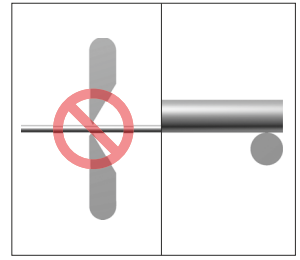
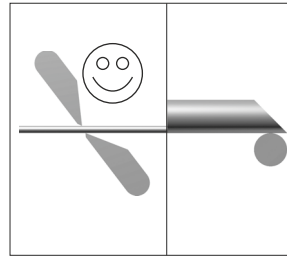
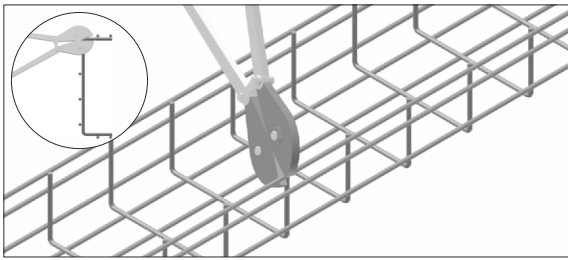


■ Please state the order code when ordering.

■ For the ordering of Fixing or any other accessories please check E-Line Cable Tray System catalogues.

■ When special wire tickness are being used please contact our company.

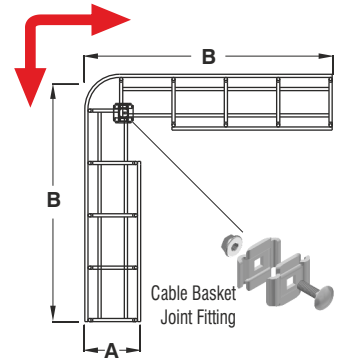
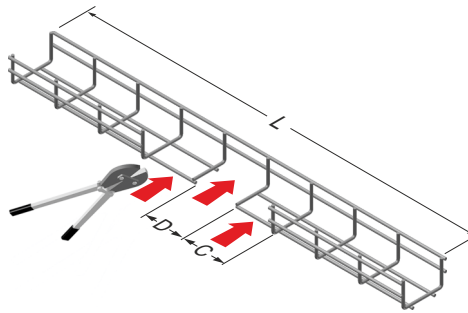
■ Material weights may vary by $\pm 10\%$



►► **YD ELBOW APPLICATION EXAMPLES**

A (mm)	B (mm)	C (mm)	L (mm)	Cable Tray Joint Fitting
100	300	100	900	1
150	400	200	900	1

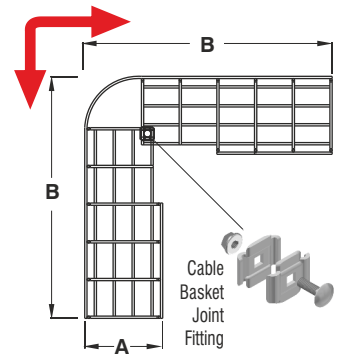
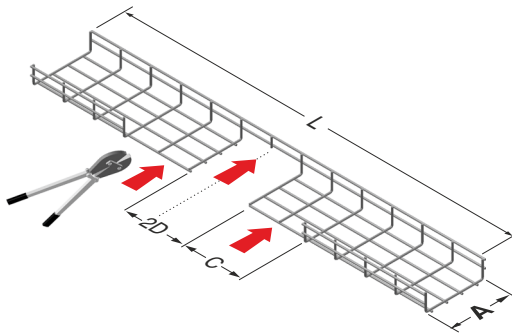
■ For 100-150 baskets, the middle section should be cut as one (D) piece.



►► **YD ELBOW APPLICATION EXAMPLES**

A (mm)	B (mm)	C (mm)	L (mm)	Cable Tray Joint Fitting
200	500	200	1000	2
250	500	200	1000	2
300	600	300	1200	2
400	700	400	1400	4
500	800	500	1600	4
600	900	600	1800	6

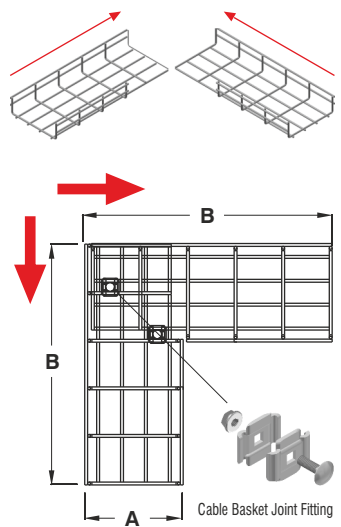
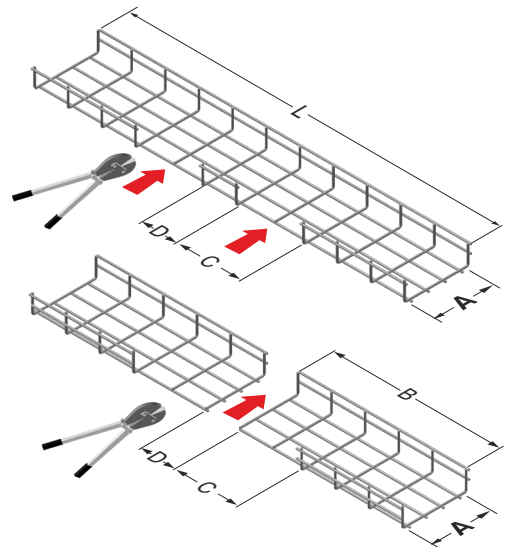
■ For 200-600 baskets, the middle section should be cut into 2(2D) pieces.



►► **YD ELBOW APPLICATION EXAMPLES**

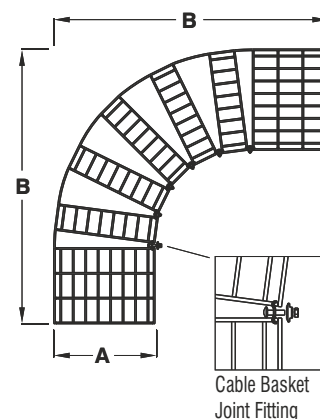
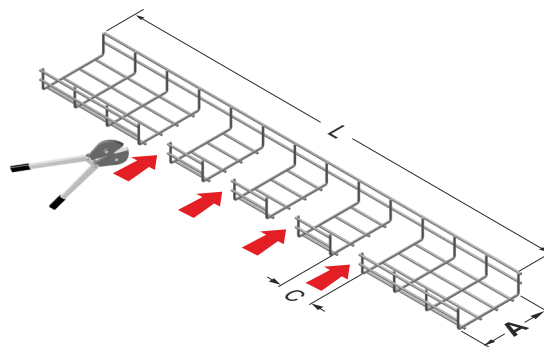
A (mm)	B (mm)	C (mm)	L (mm)	Cable Tray Joint Fitting
100	300	100	700	1
150	400	200	900	1
200	500	200	1100	2
250	500	200	1100	2
300	600	300	1300	2
400	700	400	1500	4
500	800	500	1700	4
600	900	600	1900	6

■ For 100-600 baskets, the middle section should be cut as one (D) piece.



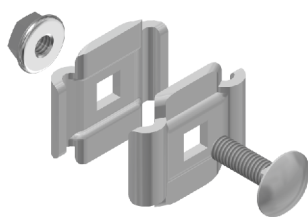
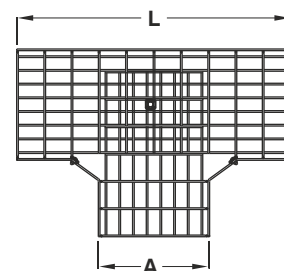
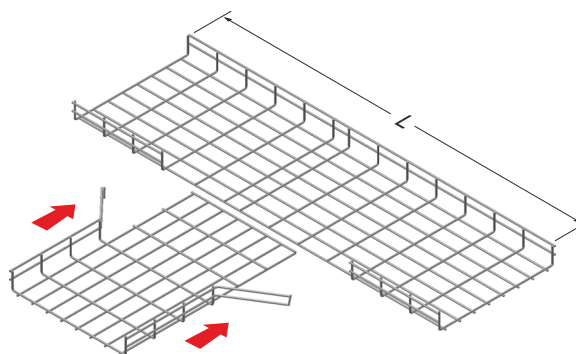
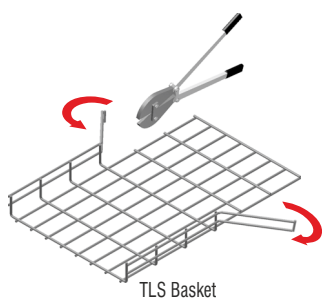
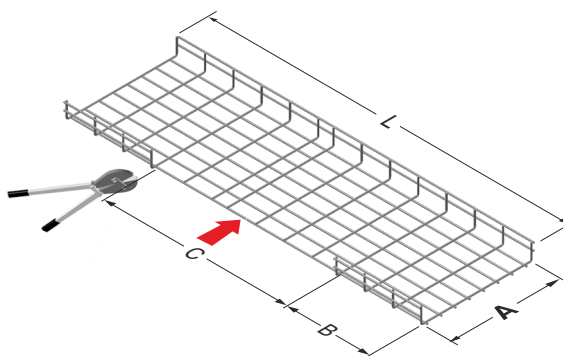
►► **YD ELBOW APPLICATION EXAMPLES**

A (mm)	B (mm)	C (mm)	L (mm)	Cable Tray Joint Fitting
100	520	3	900	1
150	620	4	1100	1
200	660	4	1100	2
250	910	6	1520	2
300	910	6	1520	4
400	1140	8	1900	6
500	1400	9	2100	9
600	1520	11	2500	9

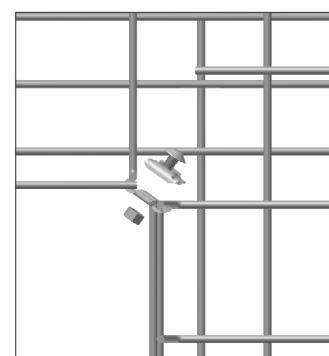
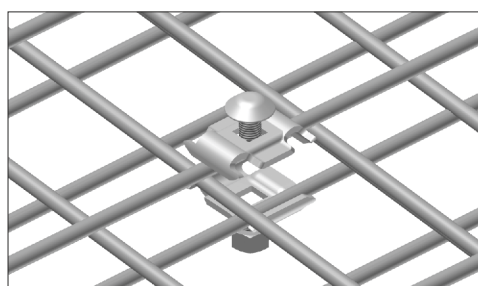


►► **"T" ELBOW APPLICATION EXAMPLES**

A (mm)	B (mm)	C (mm)	L (mm)	Cable Tray Joint Fitting
100	300	300	800	3
150	300	350	900	3
200	300	400	1000	3
250	300	400	1000	3
300	300	500	1100	4
400	300	600	1200	4
500	300	700	1300	6
600	300	800	1400	6




Cable Basket Joint Fitting



▶▶ **PROJECT DESIGN FORM**

Item	Component List Component	Quantity
Company : Project : Project No :		
Prepared by : Name : Date : Signature:		



Please duplicate this page for your own use.