

# E-LINE TKS

TRUNKING SYSTEMS



Pre-galvanized  
Hot Dip Galvanized  
Trunking Systems



# TKS

# E-Line TKS

Trunking Cable  
Tray and Modules

TKS-ID  
Concave Module

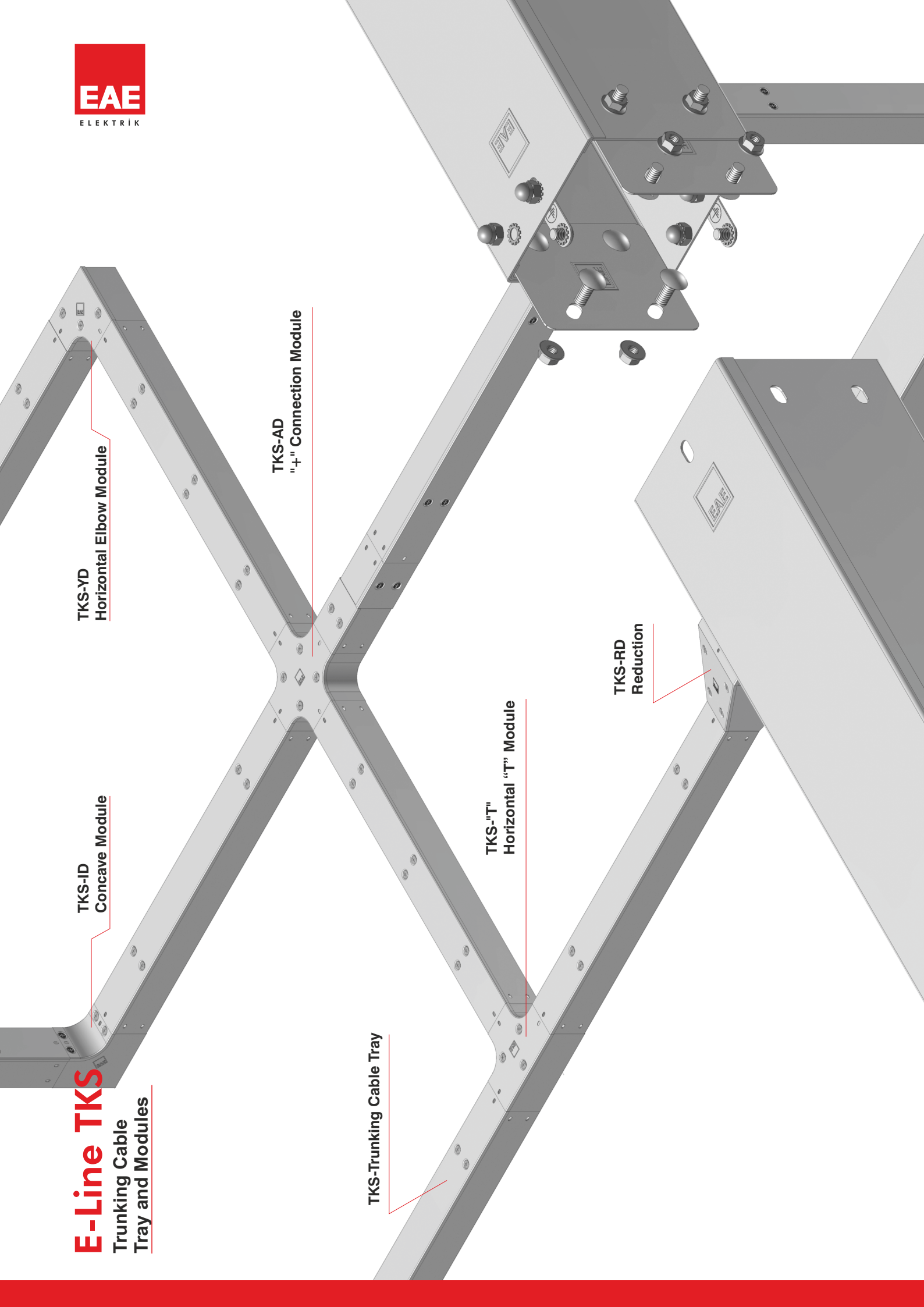
TKS-YD  
Horizontal Elbow Module

TKS-AD  
"+" Connection Module

TKS-Trunking Cable Tray

TKS-"T"  
Horizontal "T" Module

TKS-RD  
Reduction



## CONTENTS

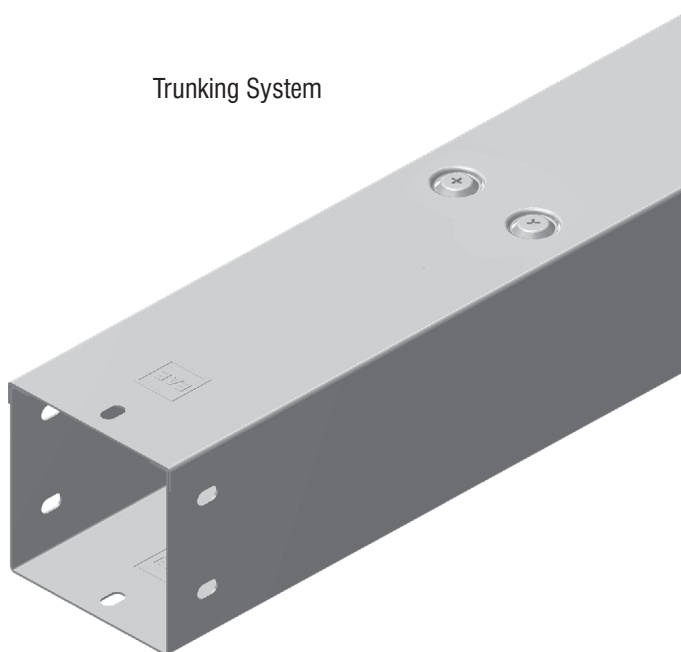
|              |                                     |
|--------------|-------------------------------------|
| <b>2</b>     | TKS Trunking System                 |
| <b>3-10</b>  | TKS Trunking System Fitting Modules |
| <b>11</b>    | TKS Socket Plate                    |
| <b>12</b>    | TKS Trunking Accessories            |
| <b>13</b>    | TKS End Cover                       |
| <b>14-15</b> | TKS Trunking Support                |

TRUNKINGSYSTEMS

## ▶▶ TKS TRUNKING STRAIGHT LENGTH

Pre-galvanized (TS EN 10346 - TS EN 10143)

| Description | H (mm) | A (mm) | T (mm) | Weight (kg./m.) | Order Code |
|-------------|--------|--------|--------|-----------------|------------|
| 050 TKS 050 | 50     | 50     | 1,2    | 2,279           | 3001967    |
| 050 TKS 075 | 50     | 75     | 1,2    | 2,754           | 3001969    |
| 075 TKS 075 | 75     | 75     | 1,2    | 3,224           | 3001971    |
| 075 TKS 100 | 75     | 100    | 1,2    | 3,612           | 3001973    |
| 100 TKS 100 | 100    | 100    | 1,2    | 4,168           | 3001975    |
| 100 TKS 150 | 100    | 150    | 1,2    | 5,109           | 3001977    |
| 100 TKS 200 | 100    | 200    | 1,5    | 7,528           | 3001979    |
| 150 TKS 150 | 150    | 150    | 1,5    | 7,478           | 3001981    |

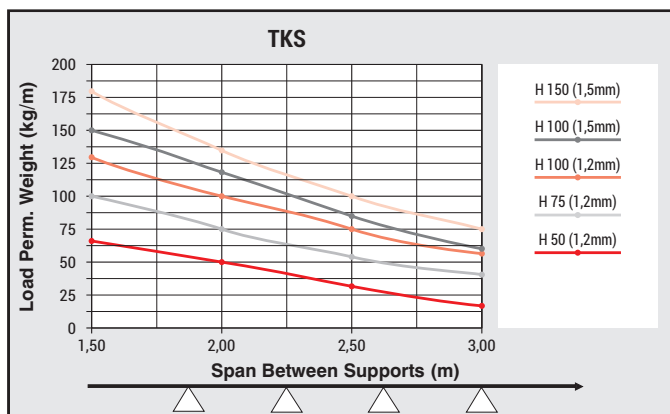
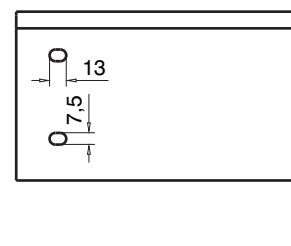
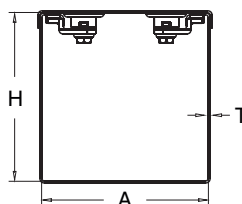


Trunking System

## ▶▶ TKS TRUNKING STRAIGHT LENGTH

Hot Dip Galvanized After Fabrication (TS EN ISO 1461)

| Description | H (mm) | A (mm) | T (mm) | Weight (kg./m.) | Order Code |
|-------------|--------|--------|--------|-----------------|------------|
| 050 TKS 050 | 50     | 50     | 1,2    | 2,504           | 3001966    |
| 050 TKS 075 | 50     | 75     | 1,2    | 3,026           | 3001968    |
| 075 TKS 075 | 75     | 75     | 1,2    | 3,543           | 3001970    |
| 075 TKS 100 | 75     | 100    | 1,2    | 3,970           | 3001972    |
| 100 TKS 100 | 100    | 100    | 1,2    | 4,581           | 3001974    |
| 100 TKS 150 | 100    | 150    | 1,2    | 5,616           | 3001976    |
| 100 TKS 200 | 100    | 200    | 1,5    | 8,277           | 3001978    |
| 150 TKS 150 | 150    | 150    | 1,5    | 8,222           | 3001980    |



■ There may be +/- differences in carriage values depending on steel plate tolerance and steel plate hardness value. Please immediately contact your customer representative for detailed information.

■ Manufacturing is being done as stainless steel in Trunking products.

■ Please indicate order code in your orders.

■ Please contact us for special modules.

■ Material weights may vary by ± 10%

H=050, H=075: single joint hole  
 H=100 double joint holes  
 H=150 triple joint holes

Sample Order:  
 Height (H): 75 mm,  
 Tray Width (A): 100 mm,  
 Sheet Metal Thickness (T): 1,2 mm,  
 Type of Coating (P): Pre-galvanized,  
 Module Type: Trunking Cable Tray

Description      Order Code  
**075 TKS 100 - 3001973**

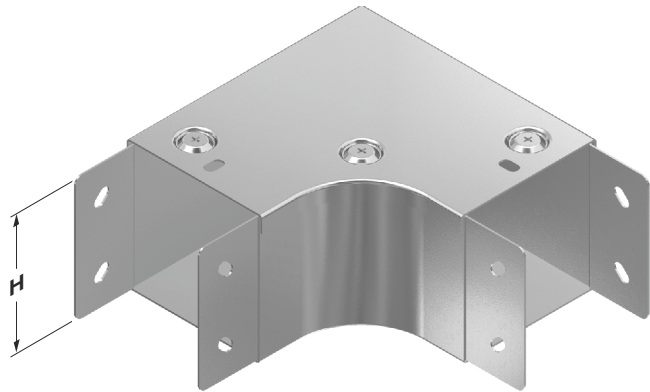


■ Standard length is 3000 mm.

►► **TKS HORIZONTAL ELBOW MODULE (90°) R=50**

Pre-galvanized (TS EN 10346 - TS EN 10143)

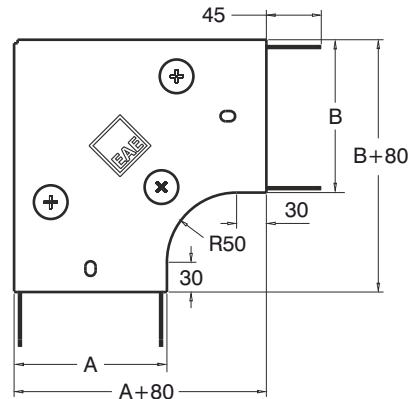
| Description    | H (mm) | AB (mm) | T (mm) | Weight (kg./pc.) | Order Code |
|----------------|--------|---------|--------|------------------|------------|
| 050 TKS 050 YD | 50     | 50      | 1,2    | 0,612            | 3001987    |
| 050 TKS 075 YD | 50     | 75      | 1,2    | 0,797            | 3001989    |
| 075 TKS 075 YD | 75     | 75      | 1,2    | 0,938            | 3001991    |
| 075 TKS 100 YD | 75     | 100     | 1,2    | 1,142            | 3001993    |
| 100 TKS 100 YD | 100    | 100     | 1,2    | 1,293            | 3001995    |
| 100 TKS 150 YD | 100    | 150     | 1,2    | 1,805            | 3001997    |
| 100 TKS 200 YD | 100    | 200     | 1,5    | 2,993            | 3001999    |
| 150 TKS 150 YD | 150    | 150     | 1,5    | 2,684            | 3002001    |



►► **TKS HORIZONTAL ELBOW MODULE (90°) R=50**

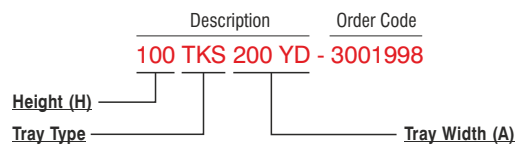
Hot Dip Galvanized After Fabrication (TS EN ISO 1461)

| Description    | H (mm) | AB (mm) | T (mm) | Weight (kg./pc.) | Order Code |
|----------------|--------|---------|--------|------------------|------------|
| 050 TKS 050 YD | 50     | 50      | 1,2    | 0,669            | 3001986    |
| 050 TKS 075 YD | 50     | 75      | 1,2    | 0,871            | 3001988    |
| 075 TKS 075 YD | 75     | 75      | 1,2    | 1,026            | 3001990    |
| 075 TKS 100 YD | 75     | 100     | 1,2    | 1,251            | 3001992    |
| 100 TKS 100 YD | 100    | 100     | 1,2    | 1,417            | 3001994    |
| 100 TKS 150 YD | 100    | 150     | 1,2    | 1,980            | 3001996    |
| 100 TKS 200 YD | 100    | 200     | 1,5    | 3,287            | 3001998    |
| 150 TKS 150 YD | 150    | 150     | 1,5    | 2,947            | 3002000    |



H=050, H=075: single joint hole  
 H=100 double joint holes  
 H=150 triple joint holes

Sample Order:  
 Height (H): 100 mm,  
 Tray Width (A): 200 mm,  
 Sheet Metal Thickness (T): 1,5 mm,  
 Type of Coating (B): Hot Dip Galvanized  
 Module Type: Horizontal Elbow Module (90°)



- Manufacturing is being done as stainless steel in Trunking products.
- Please indicate order code in your orders.
- Please contact us for special modules.
- Material weights may vary by ± 10%

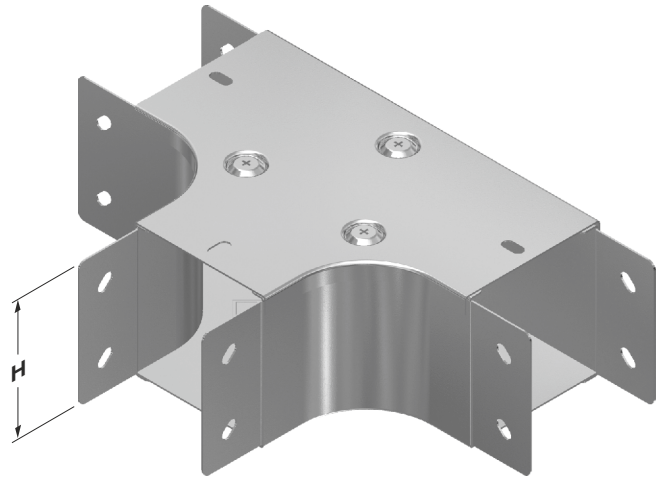




►► TKS "T" MODULE (90°) **R=50**

Pre-galvanized (TS EN 10346 - TS EN 10143)

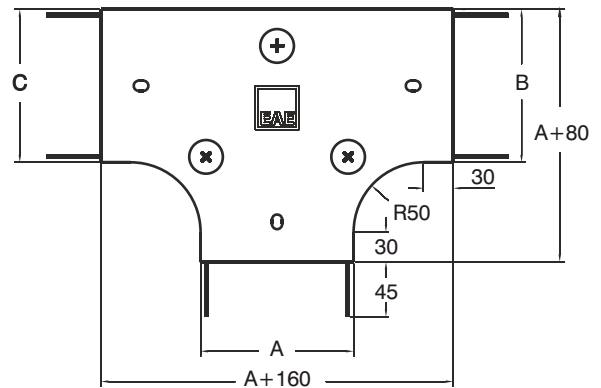
| Description    | H (mm) | ABC (mm) | T (mm) | Weight (kg/pc) | Order Code |
|----------------|--------|----------|--------|----------------|------------|
| 050 TKS 050 YT | 50     | 50       | 1,2    | 0,697          | 3002007    |
| 050 TKS 075 YT | 50     | 75       | 1,2    | 0,898          | 3002009    |
| 075 TKS 075 YT | 75     | 75       | 1,2    | 1,088          | 3002011    |
| 075 TKS 100 YT | 75     | 100      | 1,2    | 1,204          | 3002013    |
| 100 TKS 100 YT | 100    | 100      | 1,2    | 1,357          | 3002015    |
| 100 TKS 150 YT | 100    | 150      | 1,2    | 2,037          | 3002017    |
| 100 TKS 200 YT | 100    | 200      | 1,5    | 2,157          | 3002019    |
| 150 TKS 150 YT | 150    | 150      | 1,5    | 2,457          | 3002021    |



►► TKS "T" MODULE (90°) **R=50**

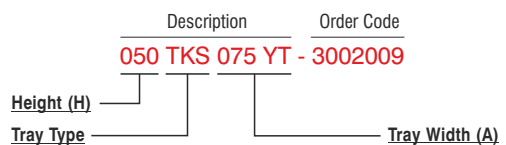
Hot Dip Galvanized After Fabrication (TS EN ISO 1461)

| Description    | H (mm) | ABC (mm) | T (mm) | Weight (kg/pc) | Order Code |
|----------------|--------|----------|--------|----------------|------------|
| 050 TKS 050 YT | 50     | 50       | 1,2    | 0,767          | 3002006    |
| 050 TKS 075 YT | 50     | 75       | 1,2    | 0,979          | 3002008    |
| 075 TKS 075 YT | 75     | 75       | 1,2    | 1,188          | 3002010    |
| 075 TKS 100 YT | 75     | 100      | 1,2    | 1,319          | 3002012    |
| 100 TKS 100 YT | 100    | 100      | 1,2    | 1,488          | 3002014    |
| 100 TKS 150 YT | 100    | 150      | 1,2    | 2,236          | 3002016    |
| 100 TKS 200 YT | 100    | 200      | 1,5    | 2,368          | 3002018    |
| 150 TKS 150 YT | 150    | 150      | 1,5    | 2,698          | 3002020    |



H=050, H=075 single line perforated  
 H=100 double line perforated  
 H=150 triple line perforated

Sample Order:  
 Height (H): 50 mm,  
 Tray Width (A): 75 mm,  
 Sheet Metal Thickness (T): 1,2 mm,  
 Type of Coating (P): Pre-galvanized,  
 Module Type: "T" Module 90°

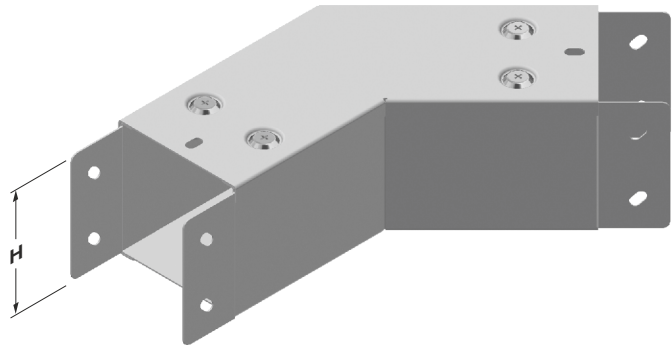


- Manufacturing is being done as stainless steel in Trunking products.
- Please indicate order code in your orders.
- Please contact us for special modules.
- Material weights may vary by ± 10%

►► **TKS HORIZONTAL ELBOW MODULE (45°) R=50**

Pre-galvanized (TS EN 10346 - TS EN 10143)

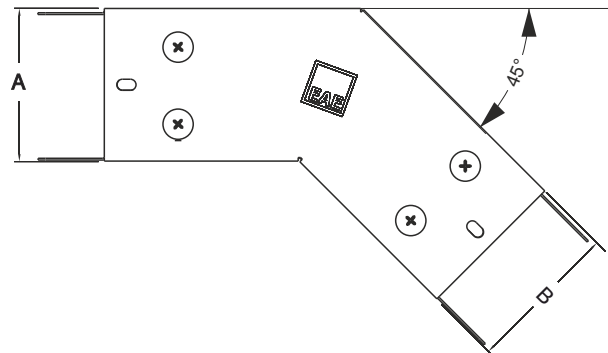
| Description    | H (mm) | ABC (mm) | T (mm) | Weight (kg./pc.) | Order Code |
|----------------|--------|----------|--------|------------------|------------|
| 050 TKS 050 YD | 50     | 50       | 1,2    | 0,815            | 3110267    |
| 050 TKS 075 YD | 50     | 75       | 1,2    | 0,992            | 3110268    |
| 075 TKS 075 YD | 75     | 75       | 1,2    | 1,174            | 3110269    |
| 075 TKS 100 YD | 75     | 100      | 1,2    | 1,353            | 3110270    |
| 100 TKS 100 YD | 100    | 100      | 1,2    | 1,537            | 3110271    |
| 100 TKS 150 YD | 100    | 150      | 1,2    | 1,934            | 3110272    |
| 100 TKS 200 YD | 100    | 200      | 1,5    | 2,709            | 3110273    |
| 150 TKS 150 YD | 150    | 150      | 1,5    | 2,597            | 3110274    |



►► **TKS HORIZONTAL ELBOW MODULE (45°) R=50**

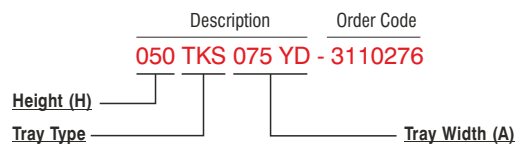
Hot Dip Galvanized After Fabrication (TS EN ISO 1461)

| Description    | H (mm) | ABC (mm) | T (mm) | Weight (kg./pc.) | Order Code |
|----------------|--------|----------|--------|------------------|------------|
| 050 TKS 050 YD | 50     | 50       | 1,2    | 0,893            | 3110275    |
| 050 TKS 075 YD | 50     | 75       | 1,2    | 1,086            | 3110276    |
| 075 TKS 075 YD | 75     | 75       | 1,2    | 1,286            | 3110277    |
| 075 TKS 100 YD | 75     | 100      | 1,2    | 1,484            | 3110278    |
| 100 TKS 100 YD | 100    | 100      | 1,2    | 1,686            | 3110279    |
| 100 TKS 150 YD | 100    | 150      | 1,2    | 2,123            | 3110280    |
| 100 TKS 200 YD | 100    | 200      | 1,5    | 2,975            | 3110281    |
| 150 TKS 150 YD | 150    | 150      | 1,5    | 2,852            | 3110282    |



H=050, H=075: single joint hole  
 H=100 double joint holes  
 H=150 triple joint holes

Sample Order:  
 Height (H): 50 mm,  
 Tray Width (A): 75 mm,  
 Sheet Metal Thickness (T): 1,2 mm,  
 Type of Coating (S): Hot Dip Galvanized  
 Module Type: Horizontal Elbow Module

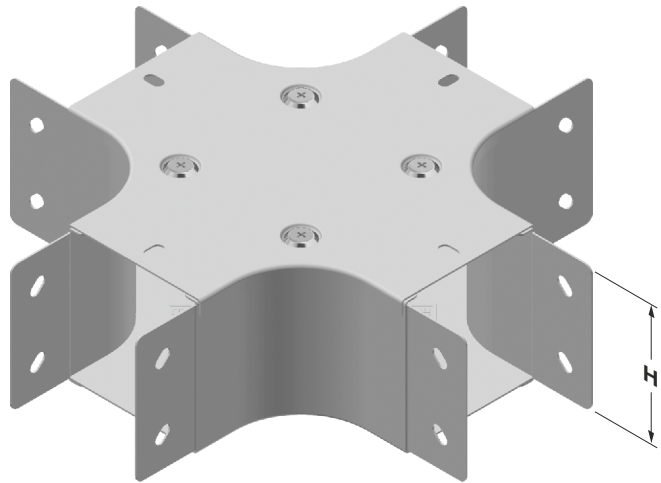


- Manufacturing is being done as stainless steel in Trunking products.
- Please indicate order code in your orders.
- Please contact us for special modules.
- Material weights may vary by ± 10%

►► TKS "+" CONNECTION MODULE R=50

Pre-galvanized (TS EN 10346 - TS EN 10143)

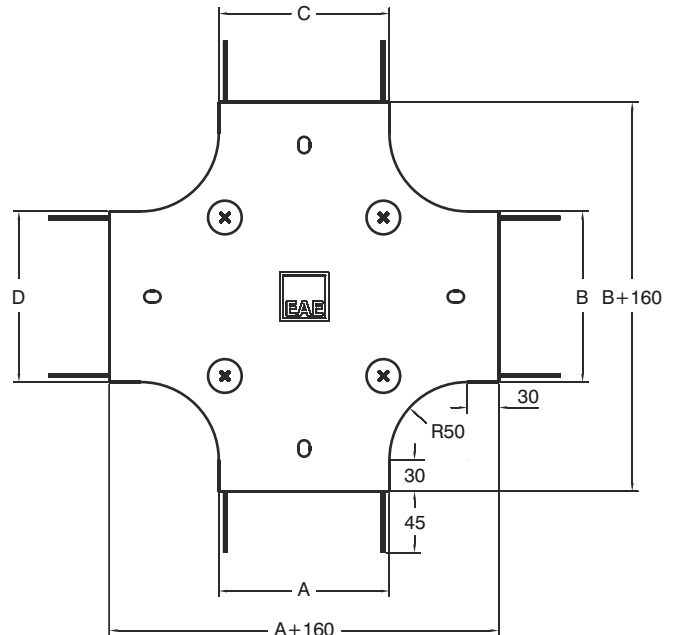
| Description    | H (mm) | ABCD (mm) | T (mm) | Weight (kg/pc) | Order Code |
|----------------|--------|-----------|--------|----------------|------------|
| 050 TKS 050 AD | 50     | 50        | 1,2    | 1,015          | 3002027    |
| 050 TKS 075 AD | 50     | 75        | 1,2    | 1,243          | 3002029    |
| 075 TKS 075 AD | 75     | 75        | 1,2    | 1,451          | 3002031    |
| 075 TKS 100 AD | 75     | 100       | 1,2    | 1,640          | 3002033    |
| 100 TKS 100 AD | 100    | 100       | 1,2    | 1,842          | 3002035    |
| 100 TKS 150 AD | 100    | 150       | 1,2    | 2,377          | 3002037    |
| 100 TKS 200 AD | 100    | 200       | 1,5    | 3,472          | 3002039    |
| 150 TKS 150 AD | 150    | 150       | 1,5    | 2,906          | 3002041    |



►► TKS "+" CONNECTION MODULE R=50

Hot Dip Galvanized After Fabrication (TS EN ISO 1461)

| Description    | H (mm) | ABCD (mm) | T (mm) | Weight (kg/pc) | Order Code |
|----------------|--------|-----------|--------|----------------|------------|
| 050 TKS 050 AD | 50     | 50        | 1,2    | 1,108          | 3002026    |
| 050 TKS 075 AD | 50     | 75        | 1,2    | 1,356          | 3002028    |
| 075 TKS 075 AD | 75     | 75        | 1,2    | 1,585          | 3002030    |
| 075 TKS 100 AD | 75     | 100       | 1,2    | 1,797          | 3002032    |
| 100 TKS 100 AD | 100    | 100       | 1,2    | 2,020          | 3002034    |
| 100 TKS 150 AD | 100    | 150       | 1,2    | 2,608          | 3002036    |
| 100 TKS 200 AD | 100    | 200       | 1,5    | 3,781          | 3002038    |
| 150 TKS 150 AD | 150    | 150       | 1,5    | 3,190          | 3002040    |



H=050, H=075: single joint hole  
 H=100 double joint holes  
 H=150 triple joint holes

Sample Order:  
 Height (H): 75 mm,  
 Tray Width (A): 75 mm,  
 Sheet Metal Thickness (T): 1,2 mm,  
 Type of Coating (S): Hot Dip Galvanized,  
 Module Type: "+" Connection Module

Description      Order Code  
**075 TKS 075 AD - 3002030**



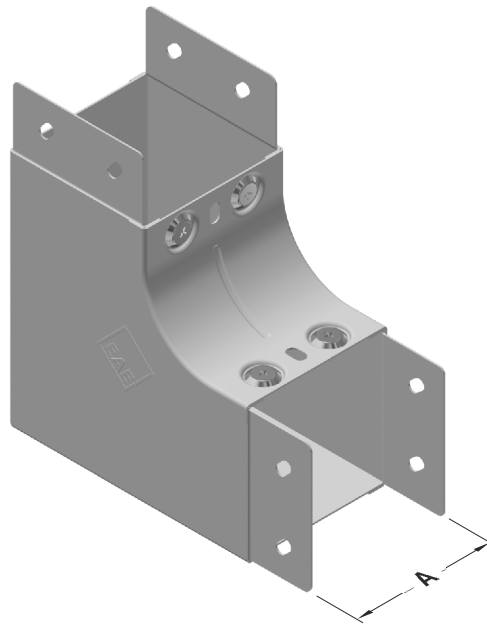
- Manufacturing is being done as stainless steel in Trunking products.
- Please indicate order code in your orders.
- Please contact us for special modules.
- Material weights may vary by ± 10%



►► **TKS CONCAVE MODULE (90°) R=50**

Pre-galvanized (TS EN 10346 - TS EN 10143)

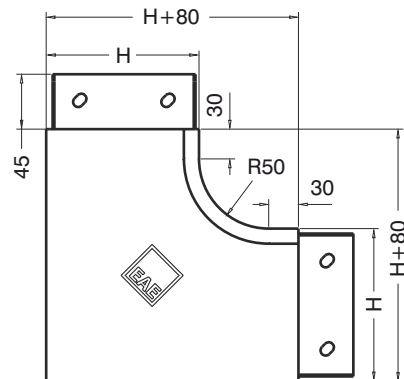
| Description    | H (mm) | A (mm) | T (mm) | Weight (kg/pc) | Order Code |
|----------------|--------|--------|--------|----------------|------------|
| 050 TKS 050 ID | 50     | 50     | 1,2    | 0,591          | 3002047    |
| 050 TKS 075 ID | 50     | 75     | 1,2    | 0,704          | 3002049    |
| 075 TKS 075 ID | 75     | 75     | 1,2    | 1,054          | 3002051    |
| 075 TKS 100 ID | 75     | 100    | 1,2    | 1,162          | 3002053    |
| 100 TKS 100 ID | 100    | 100    | 1,2    | 1,369          | 3002055    |
| 100 TKS 150 ID | 100    | 150    | 1,2    | 1,597          | 3002057    |
| 100 TKS 200 ID | 100    | 200    | 1,5    | 2,012          | 3002059    |
| 150 TKS 150 ID | 150    | 150    | 1,5    | 2,271          | 3002061    |



►► **TKS CONCAVE MODULE (90°) R=50 \***

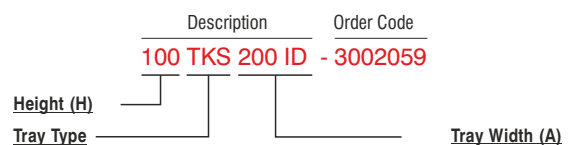
Hot Dip Galvanized After Fabrication (TS EN ISO 1461)

| Description    | H (mm) | A (mm) | T (mm) | Weight (kg/pc) | Order Code |
|----------------|--------|--------|--------|----------------|------------|
| 050 TKS 050 ID | 50     | 50     | 1,2    | 0,646          | 3002046    |
| 050 TKS 075 ID | 50     | 75     | 1,2    | 0,769          | 3002048    |
| 075 TKS 075 ID | 75     | 75     | 1,2    | 1,154          | 3002050    |
| 075 TKS 100 ID | 75     | 100    | 1,2    | 1,272          | 3002052    |
| 100 TKS 100 ID | 100    | 100    | 1,2    | 1,499          | 3002054    |
| 100 TKS 150 ID | 100    | 150    | 1,2    | 1,750          | 3002056    |
| 100 TKS 200 ID | 100    | 200    | 1,5    | 2,207          | 3002058    |
| 150 TKS 150 ID | 150    | 150    | 1,5    | 2,491          | 3002060    |



H=050, H=075: single joint hole  
 H=100 double joint holes  
 H=150 triple joint holes

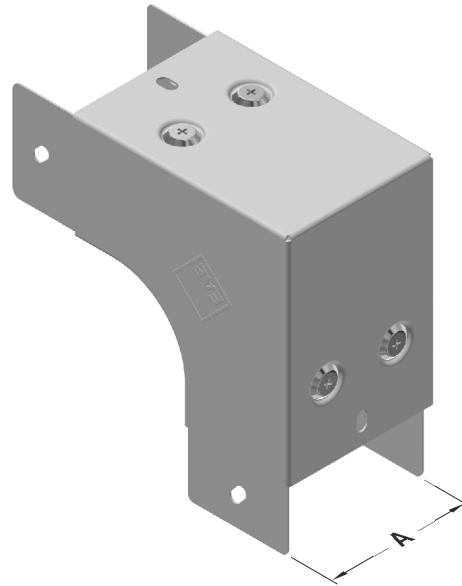
Sample Order:  
 Height (H): 100 mm,  
 Tray Width (A): 200 mm,  
 Sheet Metal Thickness (T): 1,5 mm,  
 Type of Coating (P): Pre-galvanized,  
 Module Type: Concave Module 90°



- Manufacturing is being done as stainless steel in Trunking products.
- Please indicate order code in your orders.
- Please contact us for special modules.
- Material weights may vary by ± 10%

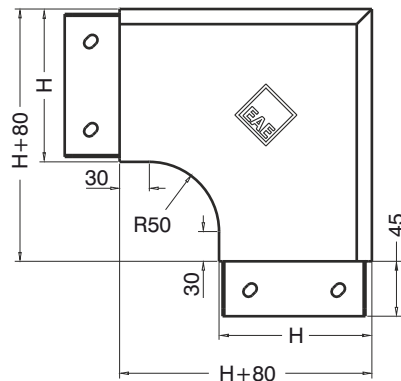
►► **TKS CONVEX MODULE (90°) R=50**  
Pre-galvanized (TS EN 10346 - TS EN 10143)

| Description    | H (mm) | A (mm) | T (mm) | Weight (kg/pc) | Order Code |
|----------------|--------|--------|--------|----------------|------------|
| 050 TKS 050 DD | 50     | 50     | 1,2    | 0,640          | 3002067    |
| 050 TKS 075 DD | 50     | 75     | 1,2    | 0,803          | 3002069    |
| 075 TKS 075 DD | 75     | 75     | 1,2    | 1,039          | 3002071    |
| 075 TKS 100 DD | 75     | 100    | 1,2    | 1,152          | 3002073    |
| 100 TKS 100 DD | 100    | 100    | 1,2    | 1,409          | 3002075    |
| 100 TKS 150 DD | 100    | 150    | 1,2    | 1,638          | 3002077    |
| 100 TKS 200 DD | 100    | 200    | 1,5    | 1,968          | 3002079    |
| 150 TKS 150 DD | 150    | 150    | 1,5    | 2,362          | 3002081    |



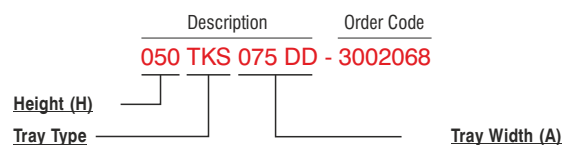
►► **TKS CONVEX MODULE (90°) R=50**  
Hot Dip Galvanized After Fabrication (TS EN ISO 1461)

| Description    | H (mm) | A (mm) | T (mm) | Weight (kg/pc) | Order Code |
|----------------|--------|--------|--------|----------------|------------|
| 050 TKS 050 DD | 50     | 50     | 1,2    | 0,700          | 3002066    |
| 050 TKS 075 DD | 50     | 75     | 1,2    | 0,878          | 3002068    |
| 075 TKS 075 DD | 75     | 75     | 1,2    | 1,137          | 3002070    |
| 075 TKS 100 DD | 75     | 100    | 1,2    | 1,261          | 3002072    |
| 100 TKS 100 DD | 100    | 100    | 1,2    | 1,543          | 3002074    |
| 100 TKS 150 DD | 100    | 150    | 1,2    | 1,795          | 3002076    |
| 100 TKS 200 DD | 100    | 200    | 1,5    | 2,158          | 3002078    |
| 150 TKS 150 DD | 150    | 150    | 1,5    | 2,592          | 3002080    |



H=050, H=075: single joint hole  
H=100 double joint holes  
H=150 triple joint holes

Sample Order:  
Height (H): 200 mm,  
Tray Width (A): 200 mm,  
Sheet Metal Thickness (T): 1,2 mm,  
Type of Coating (S): Hot Dip Galvanized,  
Module Type: Convex Module 90°

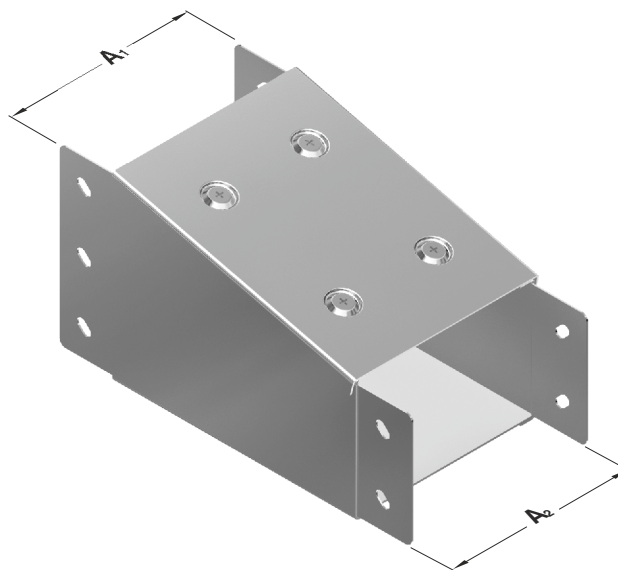


- Manufacturing is being done as stainless steel in Trunking products.
- Please indicate order code in your orders.
- Please contact us for special modules.
- Material weights may vary by ± 10%

►► **TKS REDUCTION**

Pre-galvanized (TS EN 10346 - TS EN 10143)

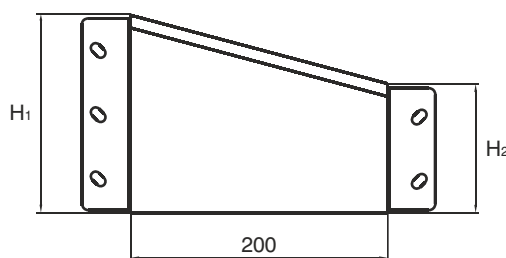
| Description | H <sub>1</sub> A <sub>1</sub><br>(mm) | H <sub>2</sub> A <sub>2</sub><br>(mm) | T<br>(mm) | Weight<br>(kg/pc) | Order<br>Code |
|-------------|---------------------------------------|---------------------------------------|-----------|-------------------|---------------|
| TKS RD 1    | 50x75                                 | 50x50                                 | 1,2       | 0,750             | 3002151       |
| TKS RD 2    | 75x75                                 | 50x75                                 | 1,2       | 0,873             | 3002149       |
| TKS RD 3    | 75x100                                | 50x75                                 | 1,2       | 0,948             | 3002147       |
| TKS RD 4    | 75x100                                | 75x75                                 | 1,2       | 1,008             | 3002145       |
| TKS RD 5    | 100x100                               | 75x75                                 | 1,2       | 1,172             | 3002143       |
| TKS RD 6    | 100x100                               | 75x100                                | 1,2       | 1,257             | 3002141       |
| TKS RD 7    | 100x150                               | 75x100                                | 1,2       | 1,315             | 3002139       |
| TKS RD 8    | 100x150                               | 100x100                               | 1,2       | 1,412             | 3002137       |
| TKS RD 9    | 100x200                               | 100x100                               | 1,5       | 1,477             | 3002135       |
| TKS RD 10   | 100x200                               | 100x150                               | 1,5       | 1,682             | 3002133       |
| TKS RD 11   | 150x150                               | 100x150                               | 1,5       | 1,532             | 3002131       |
| TKS RD 12   | 150x150                               | 100x200                               | 1,5       | 1,812             | 3002129       |



►► **TKS REDUCTION \***

Hot Dip Galvanized After Fabrication (TS EN ISO 1461)

| Description | H <sub>1</sub> A <sub>1</sub><br>(mm) | H <sub>2</sub> A <sub>2</sub><br>(mm) | T<br>(mm) | Weight<br>(kg/pc) | Order<br>Code |
|-------------|---------------------------------------|---------------------------------------|-----------|-------------------|---------------|
| TKS RD 1    | 50x75                                 | 50x50                                 | 1,2       | 0,821             | 3002150       |
| TKS RD 2    | 75x75                                 | 50x75                                 | 1,2       | 0,955             | 3002148       |
| TKS RD 3    | 75x100                                | 50x75                                 | 1,2       | 1,037             | 3002146       |
| TKS RD 4    | 75x100                                | 75x75                                 | 1,2       | 1,103             | 3002144       |
| TKS RD 5    | 100x100                               | 75x75                                 | 1,2       | 1,283             | 3002142       |
| TKS RD 6    | 100x100                               | 75x100                                | 1,2       | 1,376             | 3002140       |
| TKS RD 7    | 100x150                               | 75x100                                | 1,2       | 1,440             | 3002138       |
| TKS RD 8    | 100x150                               | 100x100                               | 1,2       | 1,547             | 3002136       |
| TKS RD 9    | 100x200                               | 100x100                               | 1,5       | 1,618             | 3002134       |
| TKS RD 10   | 100x200                               | 100x150                               | 1,5       | 1,844             | 3002132       |
| TKS RD 11   | 150x150                               | 100x150                               | 1,5       | 1,679             | 3002130       |
| TKS RD 12   | 150x150                               | 100x200                               | 1,5       | 1,987             | 3002128       |



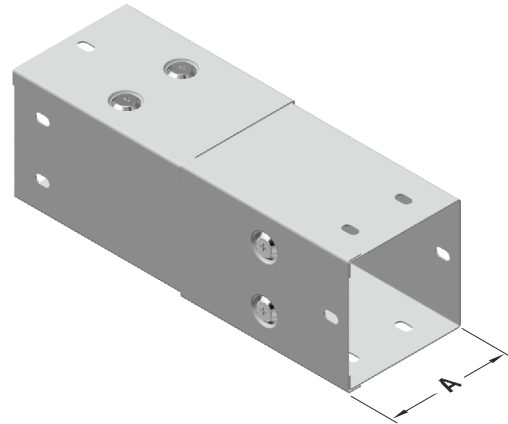
- Manufacturing is being done as stainless steel in Trunking products.
- Please indicate order code in your orders.
- Please contact us for special modules.
- Material weights may vary by ± 10%



►► **TKS CHANGE FACE RIGHT**

Pre-galvanized (TS EN 10346 - TS EN 10143)

| Description     | H (mm) | A (mm) | T (mm) | Weight (kg/pc) | Order Code |
|-----------------|--------|--------|--------|----------------|------------|
| 050 TKS 050 YDM | 50     | 50     | 1,2    | 0,706          | 3002153    |
| 075 TKS 075 YDM | 75     | 75     | 1,2    | 1,009          | 3002155    |
| 100 TKS 100 YDM | 100    | 100    | 1,2    | 1,299          | 3002157    |
| 150 TKS 150 YDM | 150    | 150    | 1,5    | 1,850          | 3002159    |



►► **TKS CHANGE FACE RIGHT**

Hot Dip Galvanized After Fabrication (TS EN ISO 1461)

| Description     | H (mm) | A (mm) | T (mm) | Weight (kg/pc) | Order Code |
|-----------------|--------|--------|--------|----------------|------------|
| 050 TKS 050 YDM | 50     | 50     | 1,2    | 0,772          | 3002152    |
| 075 TKS 075 YDM | 75     | 75     | 1,2    | 1,104          | 3002154    |
| 100 TKS 100 YDM | 100    | 100    | 1,2    | 1,422          | 3002156    |
| 150 TKS 150 YDM | 150    | 150    | 1,5    | 2,028          | 3002158    |

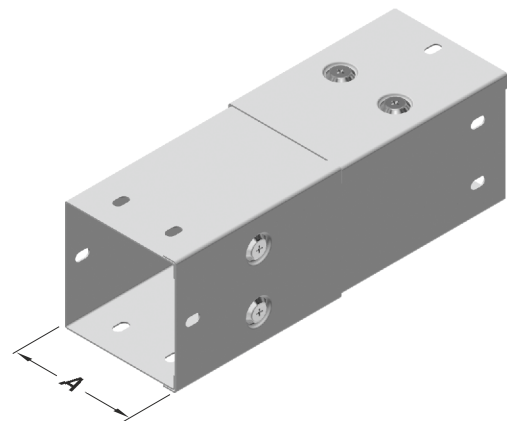


H=050, H=075: single joint hole  
 H=100 double joint holes  
 H=150 triple joint holes

►► **TKS CHANGE FACE LEFT**

Pre-galvanized (TS EN 10346 - TS EN 10143)

| Description     | H (mm) | A (mm) | T (mm) | Weight (kg/pc) | Order Code |
|-----------------|--------|--------|--------|----------------|------------|
| 050 TKS 050 YDM | 50     | 50     | 1,2    | 0,706          | 3002163    |
| 075 TKS 075 YDM | 75     | 75     | 1,2    | 1,009          | 3002165    |
| 100 TKS 100 YDM | 100    | 100    | 1,2    | 1,299          | 3002167    |
| 150 TKS 150 YDM | 150    | 150    | 1,5    | 1,850          | 3002169    |



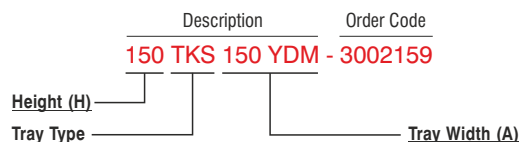
►► **TKS CHANGE FACE LEFT \***

Hot Dip Galvanized After Fabrication (TS EN ISO 1461)

| Description     | H (mm) | A (mm) | T (mm) | Weight (kg/pc) | Order Code |
|-----------------|--------|--------|--------|----------------|------------|
| 050 TKS 050 YDM | 50     | 50     | 1,2    | 0,772          | 3002162    |
| 075 TKS 075 YDM | 75     | 75     | 1,2    | 1,104          | 3002164    |
| 100 TKS 100 YDM | 100    | 100    | 1,2    | 1,422          | 3002166    |
| 150 TKS 150 YDM | 150    | 150    | 1,5    | 2,028          | 3002168    |

Sample Order:  
 Height (H): 150 mm,  
 Tray Width (A): 150 mm,  
 Sheet Metal Thickness (T): 1,5 mm,  
 Type of Coating (P): Pre-galvanized,  
 Module Type: Change Face Right And Left

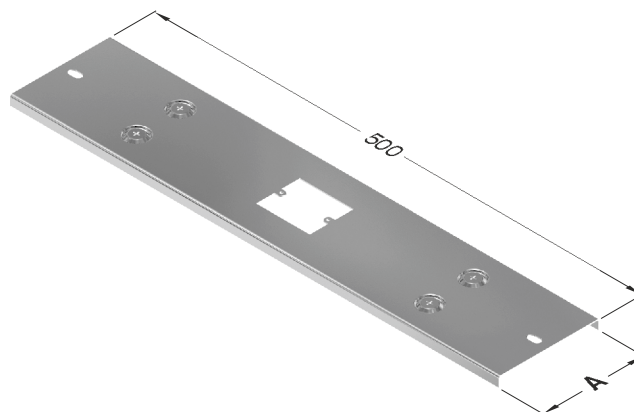
- Manufacturing is being done as stainless steel in Trunking products.
- Please indicate order code in your orders.
- Please contact us for special modules.
- Material weights may vary by ± 10%



►► **TKS SOCKET PLATE**

Pre-galvanized (TS EN 10346 - TS EN 10143)

| Description | A (mm) | T (mm) | Weight (kg/pc) | Order Code |
|-------------|--------|--------|----------------|------------|
| TKS 050 PP  | 50     | 1,2    | 0,348          | 3002173    |
| TKS 075 PP  | 75     | 1,2    | 0,477          | 3002175    |
| TKS 100 PP  | 100    | 1,2    | 0,606          | 3002177    |
| TKS 150 PP  | 150    | 1,5    | 0,842          | 3002179    |



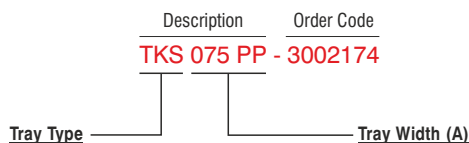
►► **TKS SOCKET PLATE \***

Hot Dip Galvanized After Fabrication (TS EN ISO 1461)

| Description | A (mm) | T (mm) | Weight (kg/pc) | Order Code |
|-------------|--------|--------|----------------|------------|
| TKS 050 PP  | 50     | 1,2    | 0,378          | 3002172    |
| TKS 075 PP  | 75     | 1,2    | 0,519          | 3002174    |
| TKS 100 PP  | 100    | 1,2    | 0,660          | 3002176    |
| TKS 150 PP  | 150    | 1,5    | 0,920          | 3002178    |

Sample Order:

Tray Width (A): 75 mm,  
 Sheet Metal Thickness (T): 1,2 mm,  
 Type of Coating (S): Hot Dip Galvanized,  
 Module Type: Socket Plate



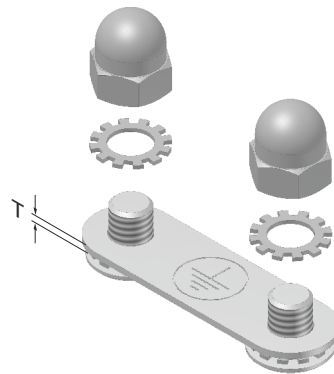
- Manufacturing is being done as stainless steel in Trunking products.
- Please indicate order code in your orders.
- Please contact us for special modules.
- Material weights may vary by ± 10%



►► **TKS EARTHING LINK**

Copper (EN 1652)

| Description    | T (mm) | Weight (kg./set.) | Order Code |
|----------------|--------|-------------------|------------|
| TKS EARTH LINE | 1      | 0,022             | 3001730    |



►► **TKS PULL-OFF DOWEL**

Pre-galvanized (TS EN 10346 - TS EN 10143)

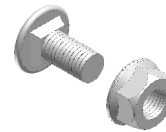
| Description                | Weight (kg./pc.) | Order Code |
|----------------------------|------------------|------------|
| PULL-OFF DOWEL JACKETED M6 | 0,033            | 5000007    |



►► **TKS CABLE TRUNKING JOINT SET**

Pre-galvanized (TS EN 10346 - TS EN 10143)

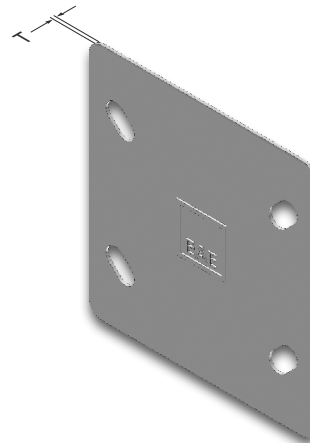
| Description              | Weight (kg./set.) | Order Code |
|--------------------------|-------------------|------------|
| JOINT SET M6x12 BOLT&NUT | 0,009             | 1004314    |



►► **TKS JOINT FITTING**

Pre-galvanized (TS EN 10346 - TS EN 10143)

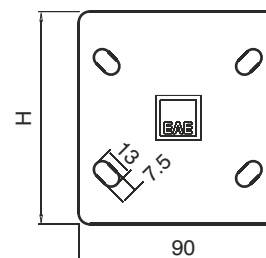
| Description           | H (mm) | T (mm) | Weight (kg./pc.) | Order Code |
|-----------------------|--------|--------|------------------|------------|
| 050 TKS JOINT FITTING | 50     | 1,2    | 0,032            | 3002087    |
| 075 TKS JOINT FITTING | 75     | 1,2    | 0,050            | 3002089    |
| 100 TKS JOINT FITTING | 100    | 1,2    | 0,067            | 3002091    |
| 150 TKS JOINT FITTING | 150    | 1,2    | 0,103            | 3002093    |



►► **TKS JOINT FITTING**

Hot Dip Galvanized After Fabrication (TS EN ISO 1461)

| Description           | H (mm) | T (mm) | Weight (kg./pc.) | Order Code |
|-----------------------|--------|--------|------------------|------------|
| 050 TKS JOINT FITTING | 50     | 1,2    | 0,035            | 3002086    |
| 075 TKS JOINT FITTING | 75     | 1,2    | 0,055            | 3002088    |
| 100 TKS JOINT FITTING | 100    | 1,2    | 0,079            | 3002090    |
| 150 TKS JOINT FITTING | 150    | 1,2    | 0,119            | 3002092    |



■ Manufacturing is being done as stainless steel in Trunking products.

■ Please indicate order code in your orders.

■ Please contact us for special modules.

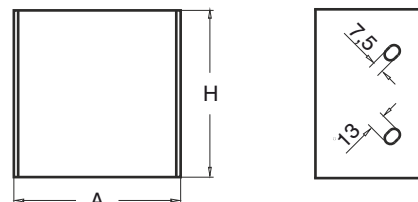
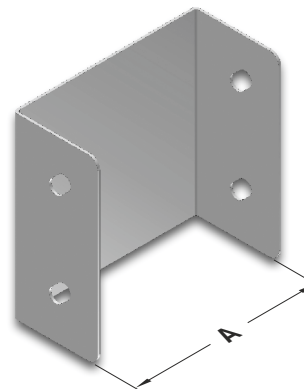
■ Material weights may vary by ± 10%



►► **TKS BLIND END**

Pre-galvanized (TS EN 10346 - TS EN 10143)

| Description    | H (mm) | A (mm) | T (mm) | Weight (kg/pc) | Order Code |
|----------------|--------|--------|--------|----------------|------------|
| 050 TKS 050 SE | 50     | 50     | 1,2    | 0,052          | 3002097    |
| 050 TKS 075 SE | 50     | 75     | 1,2    | 0,063          | 3002099    |
| 075 TKS 075 SE | 75     | 75     | 1,2    | 0,097          | 3002101    |
| 075 TKS 100 SE | 75     | 100    | 1,2    | 0,114          | 3002103    |
| 100 TKS 100 SE | 100    | 100    | 1,2    | 0,155          | 3002105    |
| 100 TKS 150 SE | 100    | 150    | 1,2    | 0,200          | 3002107    |
| 100 TKS 200 SE | 100    | 200    | 1,5    | 0,306          | 3002109    |
| 150 TKS 150 SE | 150    | 150    | 1,5    | 0,381          | 3002111    |



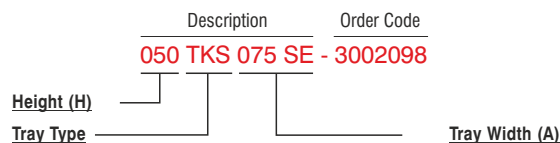
►► **TKS BLIND END \***

Hot Dip Galvanized After Fabrication (TS EN ISO 1461)

| Description    | H (mm) | A (mm) | T (mm) | Weight (kg/pc) | Order Code |
|----------------|--------|--------|--------|----------------|------------|
| 050 TKS 050 SE | 50     | 50     | 1,2    | 0,057          | 3002096    |
| 050 TKS 075 SE | 50     | 75     | 1,2    | 0,069          | 3002098    |
| 075 TKS 075 SE | 75     | 75     | 1,2    | 0,106          | 3002100    |
| 075 TKS 100 SE | 75     | 100    | 1,2    | 0,125          | 3002102    |
| 100 TKS 100 SE | 100    | 100    | 1,2    | 0,170          | 3002104    |
| 100 TKS 150 SE | 100    | 150    | 1,2    | 0,220          | 3002106    |
| 100 TKS 200 SE | 100    | 200    | 1,5    | 0,396          | 3002108    |
| 150 TKS 150 SE | 150    | 150    | 1,5    | 0,419          | 3002110    |

H=050, H=075: single joint hole  
 H=100 double joint holes  
 H=150 triple joint holes

Sample Order:  
 Height (H): 50 mm,  
 Tray Width (A): 75 mm,  
 Sheet Metal Thickness (T): 1,2 mm,  
 Type of Coating (S): Hot Dip Galvanized,  
 Module Type: End Cap

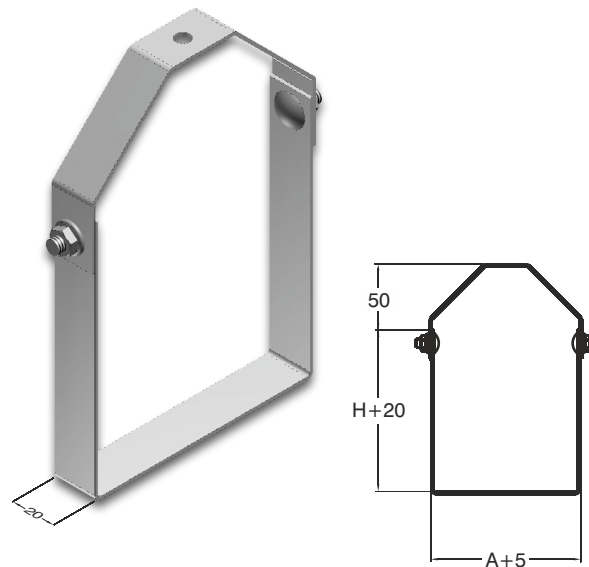


- Manufacturing is being done as stainless steel in Trunking products.
- Please indicate order code in your orders.
- Please contact us for special modules.
- Material weights may vary by ± 10%

►► **TKS FIXING ELEMENTS**

Pre-galvanized (TS EN 10346 - TS EN 10143)

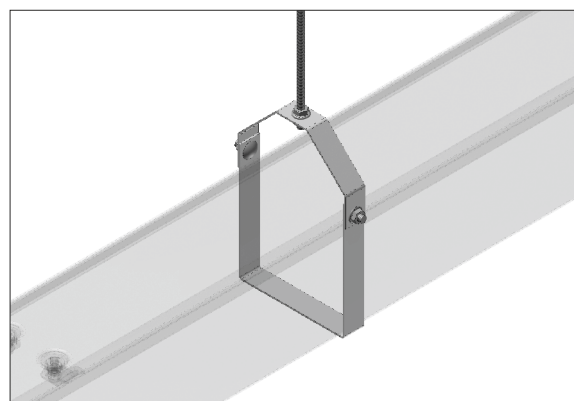
| Description        | H (mm) | A (mm) | T (mm) | Weight (kg/pc) | Order Code |
|--------------------|--------|--------|--------|----------------|------------|
| 050 TKS 050 FIXING | 70     | 55     | 1,5    | 0,103          | 3002184    |
| 050 TKS 075 FIXING | 70     | 80     | 1,5    | 0,115          | 3002186    |
| 075 TKS 075 FIXING | 95     | 80     | 1,5    | 0,125          | 3002188    |
| 075 TKS 100 FIXING | 95     | 105    | 1,5    | 0,131          | 3002190    |
| 100 TKS 100 FIXING | 120    | 105    | 1,5    | 0,147          | 3002192    |
| 100 TKS 150 FIXING | 120    | 155    | 1,5    | 0,160          | 3002194    |
| 100 TKS 200 FIXING | 120    | 205    | 1,5    | 0,190          | 3002196    |
| 150 TKS 150 FIXING | 170    | 155    | 1,5    | 0,195          | 3002258    |



►► **TKS FIXING ELEMENTS**

Hot Dip Galvanized After Fabrication (TS EN ISO 1461)

| Description        | H (mm) | A (mm) | T (mm) | Weight (kg/pc) | Order Code |
|--------------------|--------|--------|--------|----------------|------------|
| 050 TKS 050 FIXING | 70     | 55     | 1,5    | 0,113          | 3002183    |
| 050 TKS 075 FIXING | 70     | 80     | 1,5    | 0,126          | 3002185    |
| 075 TKS 075 FIXING | 95     | 80     | 1,5    | 0,137          | 3002187    |
| 075 TKS 100 FIXING | 95     | 105    | 1,5    | 0,144          | 3002189    |
| 100 TKS 100 FIXING | 120    | 105    | 1,5    | 0,161          | 3002191    |
| 100 TKS 150 FIXING | 120    | 155    | 1,5    | 0,176          | 3002193    |
| 100 TKS 200 FIXING | 120    | 205    | 1,5    | 0,209          | 3002195    |
| 150 TKS 150 FIXING | 170    | 155    | 1,5    | 0,214          | 3002257    |

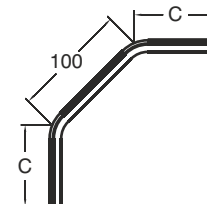


- Manufacturing is being done as stainless steel in Trunking products.
- Please indicate order code in your orders.
- Please contact us for special modules.
- Material weights may vary by ± 10%

►► **TKS FIXING ELEMENTS 135°**

Pre-galvanized (TS EN 10346 - TS EN 10143)

| Description         | A (mm) | C (mm) | T (mm) | Weight (kg/pc) | Order Code |
|---------------------|--------|--------|--------|----------------|------------|
| TKS 050 FIXING 135° | 50     | 45     | 2      | 0,308          | 3002198    |
| TKS 075 FIXING 135° | 75     | 60     | 2      | 0,424          | 3002200    |
| TKS 100 FIXING 135° | 100    | 70     | 2      | 0,544          | 3002202    |
| TKS 150 FIXING 135° | 150    | 95     | 2      | 0,780          | 3002204    |



►► **TKS FIXING ELEMENTS 135°**

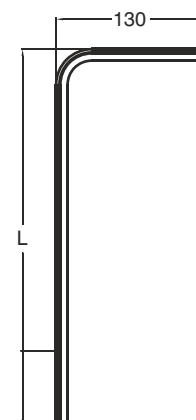
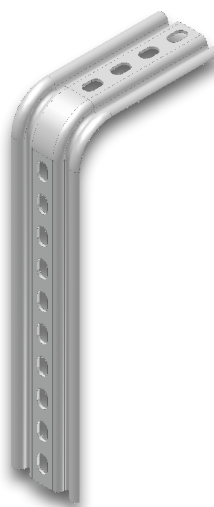
Hot Dip Galvanized After Fabrication (TS EN ISO 1461)

| Description         | A (mm) | C (mm) | T (mm) | Weight (kg/pc) | Order Code |
|---------------------|--------|--------|--------|----------------|------------|
| TKS 050 FIXING 135° | 50     | 45     | 2      | 0,338          | 3002197    |
| TKS 075 FIXING 135° | 75     | 60     | 2      | 0,466          | 3002199    |
| TKS 100 FIXING 135° | 100    | 70     | 2      | 0,598          | 3002201    |
| TKS 150 FIXING 135° | 150    | 95     | 2      | 0,858          | 3002203    |

►► **TKS FIXING ELEMENTS L**

Pre-galvanized (TS EN 10346 - TS EN 10143)

| Description      | L (mm) | T (mm) | Weight (kg/pc) | Order Code |
|------------------|--------|--------|----------------|------------|
| TKS 050 FIXING L | 50     | 2      | 0,308          | 3002248    |
| TKS 075 FIXING L | 75     | 2      | 0,424          | 3002250    |
| TKS 100 FIXING L | 100    | 2      | 0,544          | 3002252    |
| TKS 150 FIXING L | 150    | 2      | 0,780          | 3002254    |



►► **TKS FIXING ELEMENTS L**

Hot Dip Galvanized After Fabrication (TS EN ISO 1461)

| Description      | L (mm) | T (mm) | Weight (kg/pc) | Order Code |
|------------------|--------|--------|----------------|------------|
| TKS 050 FIXING L | 50     | 2      | 0,338          | 3002247    |
| TKS 075 FIXING L | 75     | 2      | 0,466          | 3002249    |
| TKS 100 FIXING L | 100    | 2      | 0,598          | 3002251    |
| TKS 150 FIXING L | 150    | 2      | 0,858          | 3002253    |

■ Manufacturing is being done as stainless steel in Trunking products.

■ Please indicate order code in your orders.

■ Please contact us for special modules.

■ Material weights may vary by ± 10%

▶▶ **PROJECT DESIGN FORM**

| Item  | Component List<br>Component | Quantity |
|---|-----------------------------|----------|
|   |                             |          |
| Company :<br>Project :<br>Project No :        |                             |          |
| Prepared by<br>Name :<br>Date :<br>Signature: |                             |          |

Please duplicate this page for your own use.