

# ABL



# SYSTEM COMPONENTS

MARCH 2016



# SYSTEM COMPONENTS

## STATIONARY SOCKET OUTLET COMBINATIONS

Modular System	4
The 7 Key Advantages	6
Comparison of sizes and dimensions	9
Wall-mounted Distributor Boxes (plastic) Series 45	12
Wall-mounted Distributor Boxes (plastic) Series 51	13
Wall-mounted Distributor Boxes (plastic) Series 52	14
Wall-mounted Distributor Boxes (plastic) Series 54	16
Wall-mounted Distributor Boxes (plastic) Series 59	18
Wall-mounted Distributor Boxes (plastic) Series 60	20
Weather Shields	25
Wall-mounted Distributor Boxes (rubber) Series 88	26
Switchable Wall-mounted Sockets	27
Power Inlets for Transportable Site Offices	31
Specifications	32

---

## MOBILE SOCKET OUTLET COMBINATIONS

Modular System	34
The 6 Key Advantages	36
Overview of Sizes and Dimensions	38
Power Outlet Cubes Series 30	40
Portable Socket Outlet Boxes (plastic) Series 45	42
Socket Outlet Rails (rubber) Series 48	44
Socket Outlet Rails (rubber) PRCD-S	45
Portable Socket Outlet Boxes (rubber) Series 58	46
Freestanding Power Distributor(s) (rubber) Series 68	47
Freestanding Power Distributor(s) (rubber) Series 78	48

---

Item Number Directory	49
-----------------------	----

# STATIONARY SOCKET OUTLET COMBINATIONS MODULAR SYSTEM

**SINGLE SUPPLIER SOLUTIONS** We manufacture all the components for our Socket Outlet Combinations ourselves. This way we can guarantee the highest quality and flexible solutions through individually tailored combinations. You can find a planning template in the Downloads section of our website [www.abl.de](http://www.abl.de). Please direct any queries to [kombis@abl-sursum.com](mailto:kombis@abl-sursum.com) or call +49(0) 9123/188-126.

## MINIATURE CIRCUIT BREAKERS AND RESIDUAL CURRENT CIRCUIT BREAKERS



- Miniature Circuit Breakers
  - Switching capabilities 6/10 kA,
  - B, C, D, K and Z characteristics
- Residual Current Devices
  - Type A (pulsating current sensitive)
  - Type B (universal current sensitive)

## RAIL-MOUNTED DEVICES



- Switches, Buttons, Indicator Lights
- Mechanical and Electronic Relays and Remote Switches
- Grid Monitoring, Installation Contactors
- Timers
- Safety Transformers

## SCHUKO SOCKET OUTLETS



- Self-closing, hinged lid
- Range of protection ratings
- Shatter-proof thermoplastics
- Range of colors

## INTERNATIONAL STANDARD SOCKET OUTLETS



- for Belgium, France, Czech Republic, Poland, Switzerland, USA, Canada, United Kingdom, China, Australia

## POWER CONNECTORS



- Range of voltages and protection ratings
- Feed plugs



# STATIONARY SOCKET OUTLET COMBINATIONS



# THE 7 KEY ADVANTAGES

## OF OUR STATIONARY SOCKET OUTLET COMBINATIONS

### 1 PLASTIC HOUSINGS



Range of 6 different housing series (thermoplastic):

- Temperature and impact resistant
- Weather, UV and ozone resistant
- Free of halogens
- Outstanding tracking resistance
- Resistant to a wide range of chemicals

### 2 SOLID RUBBER HOUSING



- Unbreakable, impact resistant and long-lasting
- Free of halogens
- Low flammability and self-extinguishing
- Resistant to welding and other flying sparks
- Oil, grease, acid and gasoline resistant

### 3 EXPANDABLE



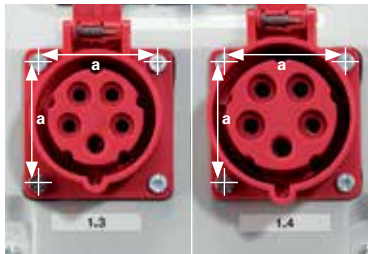
Horizontal and /or vertical, side-by-side flanged housing installation options.

## 4 SAFE



Maximum safety through insulated attachment of flanged sockets to the housing using plastic cap nuts. Numbered current pathways for clearly structured installation and wiring-up. Our Socket Outlet Combinations are delivered connection-ready.

## 5 EASY UPGRADES



Standardized flange sizes for standard types, e.g. CEE 16/32 A 6h. All timer settings according to IEC 60309 are possible. All standard issue industrial-grade connectors are wired for clockwise phase sequence.

## 6 QUALITY-ASSURED



Socket Outlet Combinations subject to item-by-item checks according to EN 61439-1. All quality assurance and product data are recorded and reported. The ABL SURSUM quality management system is DIN ISO 9001:2000 certified.

## 7 SECURE INSTALLATION



Internal mounting option (separate mounting compartment with 4 or 6-fold mounting options for solid installation) or use the external-mount, stainless steel wall bracket (accessory).

You can find a planning template in the Downloads section of our website [www.abl.de](http://www.abl.de)

# SOCKET OUTLET COMBINATIONS

## Problem: condensed water in electrical systems

For housings with a high degree of protection and thus a high degree of leak-proofness, condensed water forms inside if there are temperature differences between the inside and outside temperatures. Temperature variations do not only occur due to thermal influences from outside – the inner temperature can also increase due to the power loss of the devices installed. The warmer inner air naturally enriches itself with moisture from outside since the housing is not completely gastight. If the housing now cools down e.g. by switching off the system, the air inside re-releases the moisture and this forms as a film of condensed water on the cool housing walls.

Small drops form gradually, which then flow to the lowest point of the housing. Less relevant is the problem of condensed water formation with normal installation in rooms.

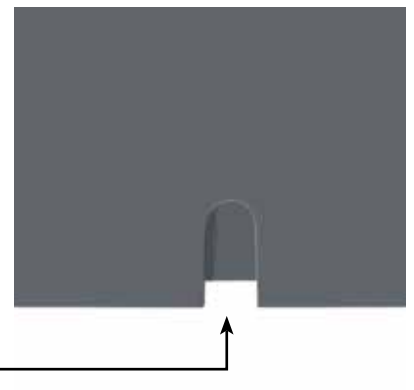
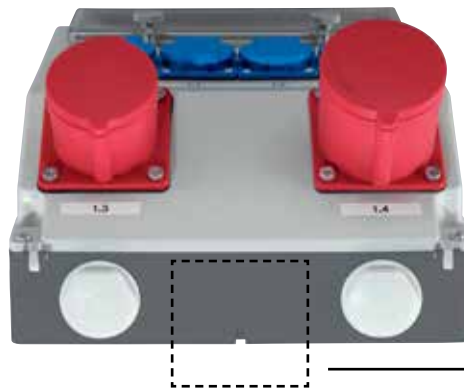
As an exception here, the conditions should be mentioned by which high humidity and large temperature variations occur like e.g. canteen kitchens, laundries, car washes etc.

Special caution is necessary with installations of unprotected electrical systems outdoors. Here the danger of condensed water forming is especially high due to the change between day and night, strong sunshine and cool weather conditions, and the corresponding temperature differences between inside and outside air.



## Measures against formation of condensed water

- Choosing the installation location**  
 A first aspect is the choice of installation location. Here one can try to avoid large temperature differences in advance.
- Technical measures**  
 In every wall-mounted enclosure from ABL SURSUM there is a default potential opening at the lowest point. Collected condensed water can flow through here after puncturing.



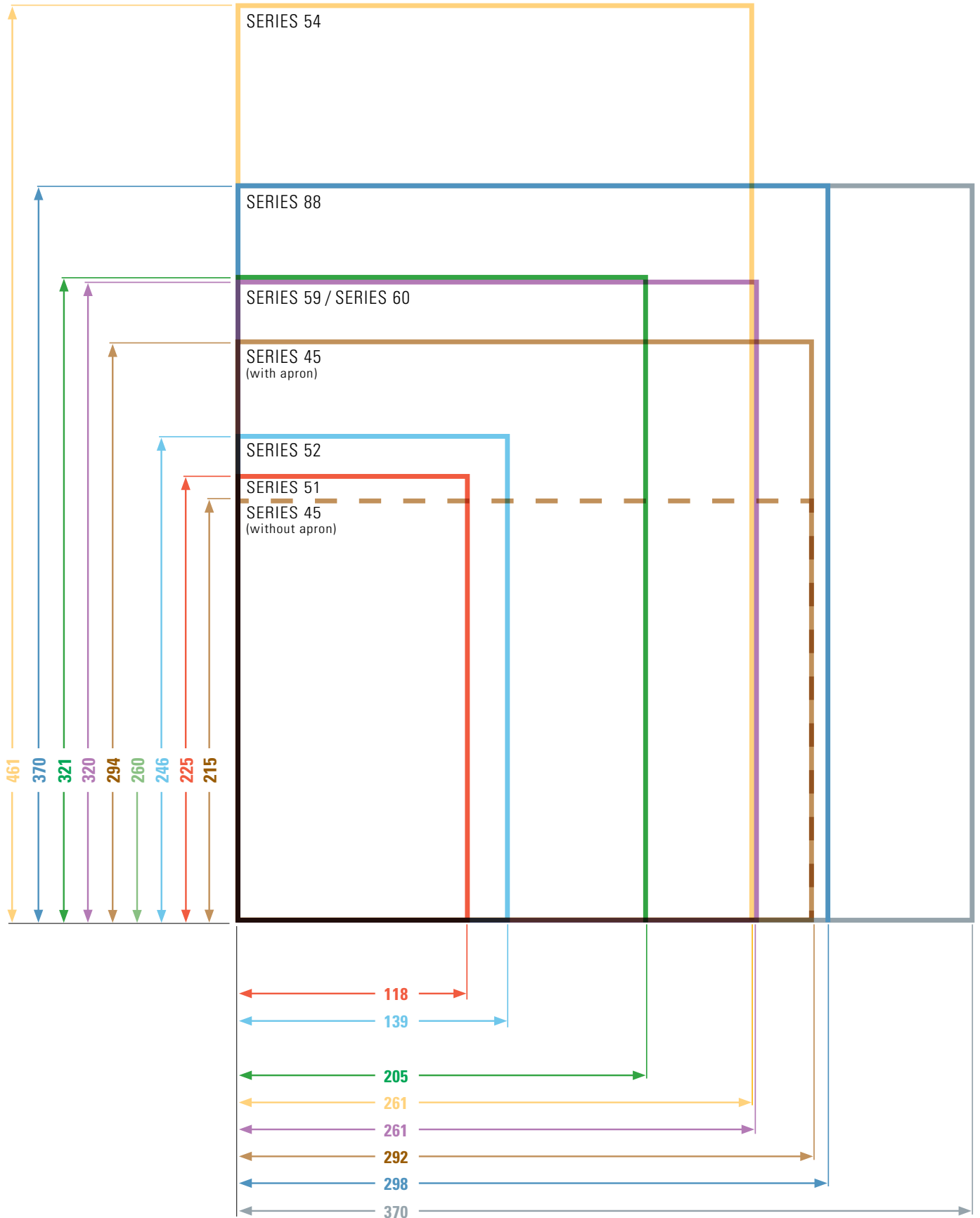
## Pressure compensation membrane M 12 x 1.5

The best solution, however, is the installation of a pressure compensation membrane. This has an air outlet of up to 120 litres per hour at a pressure difference of 70 mbar. It makes possible even high degrees of protection like IP67 and can be mounted for wall thicknesses of up to 4 mm.

Connection thread	M12x1,5
Mounting	in wall thicknesses of up to 4 mm
Material	polyamide
Colour	black
Note	delivery incl. counter nut
Packing unit	5 pieces
Item no.	<b>8990900</b>

# DIMENSIONS OF THE STATIONARY SOCKET OUTLET COMBINATIONS

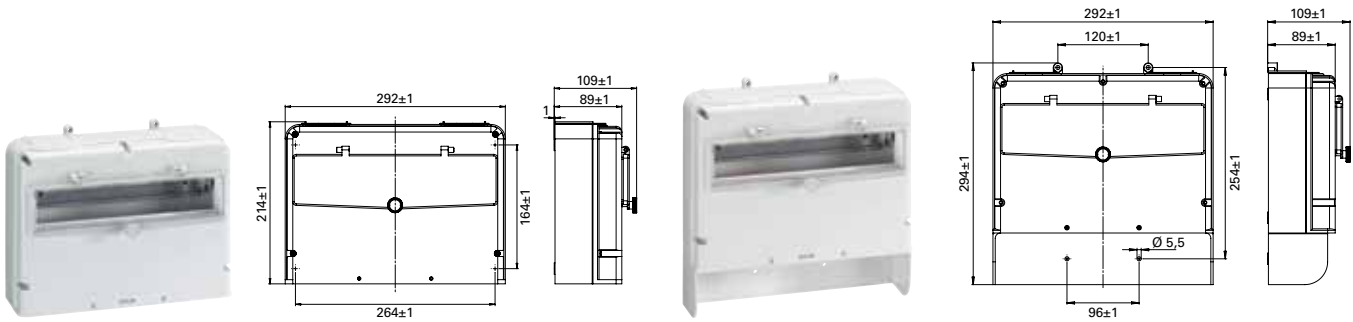
Comparison of sizes and dimensions



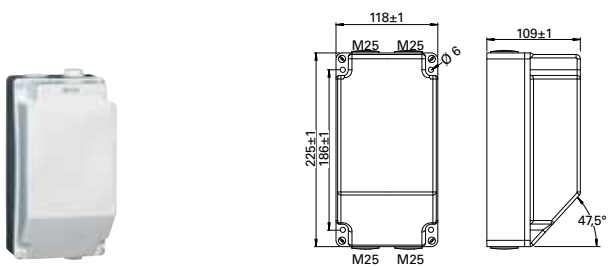


# DIMENSIONS OF THE STATIONARY SOCKET OUTLET COMBINATIONS

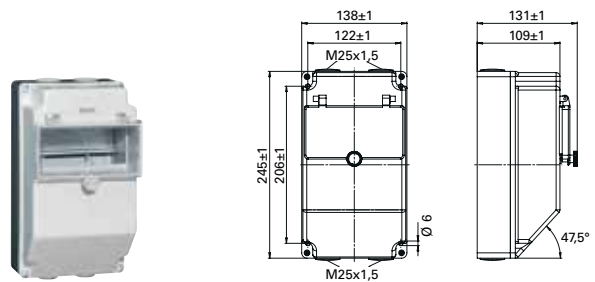
## SERIES 45



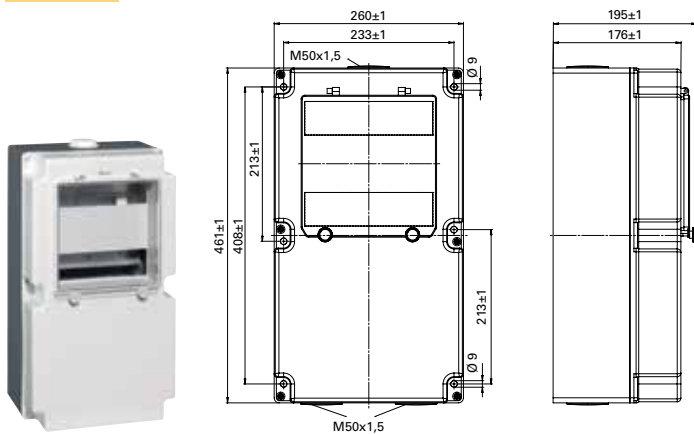
## SERIES 51



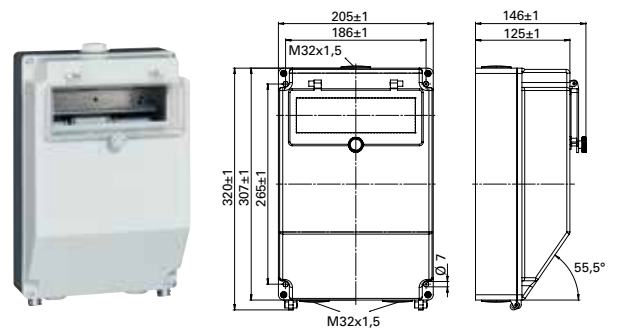
## SERIES 52



## SERIES 54

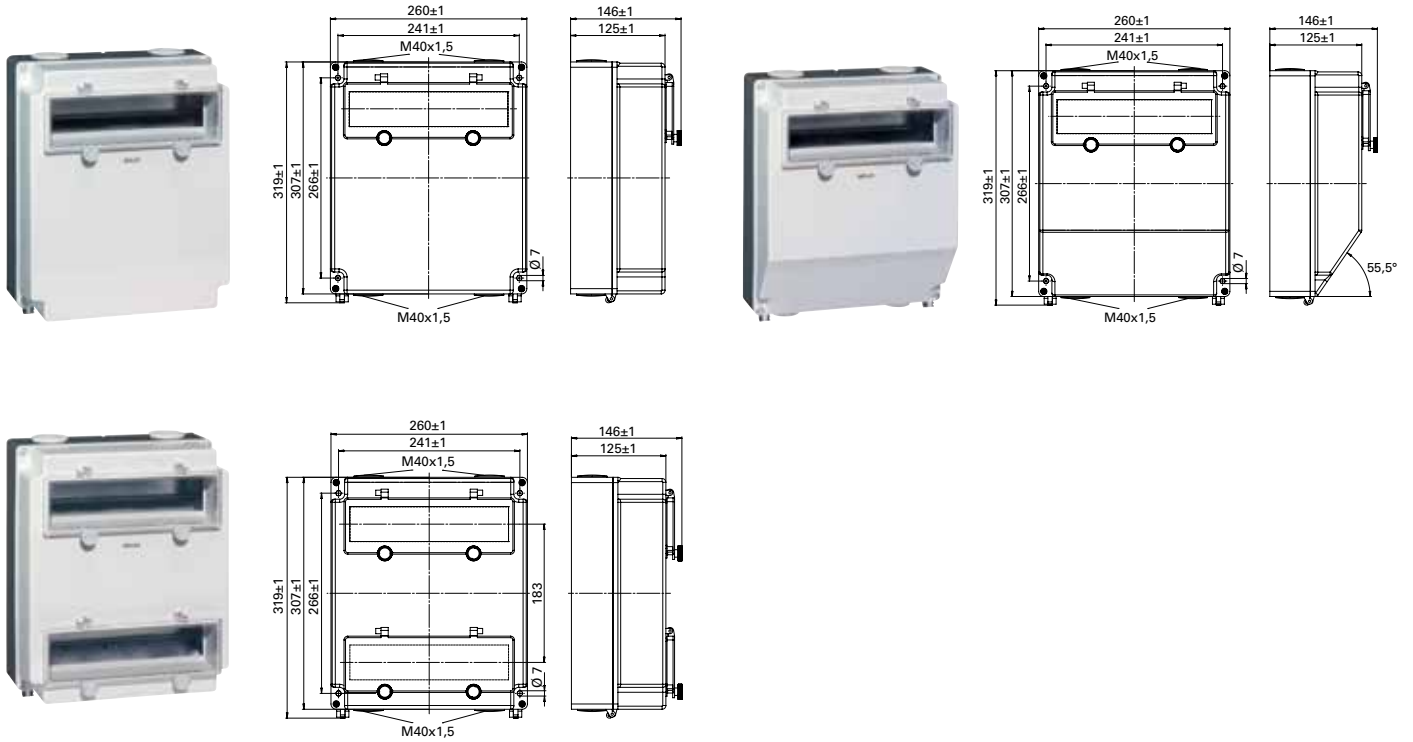


## SERIES 59

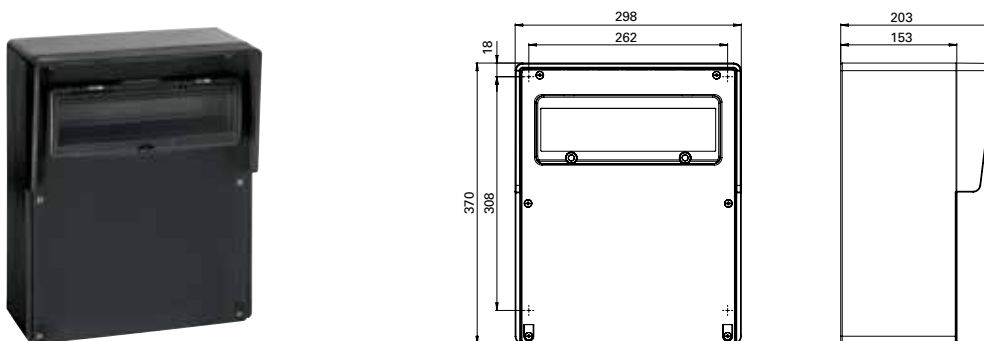


# DIMENSIONS OF THE STATIONARY SOCKET OUTLET COMBINATIONS

## SERIES 60



## SERIES 88



# WALL-MOUNTED DISTRIBUTOR BOXES (PLASTIC)

splash-proof IP44, pre-wired ready to connect

**SERIES**  
**45**

## HOUSING SIZE

W x H x D 292 x 294 x 109 mm  
(without additions)

Fitted with the standard combination or a configuration tailored to your specific requirements



## HOUSING ONLY

Cable Inlet: 2 x M40 (top)

Without apron Exterior mount using mounting rail for 13 HP

**ITEM-NO. B 45.00**

## Socket Outlet Combination Options

<b>Fitted with</b>				
<b>CEE Sockets</b>	2 x 5/16 A 1 x 5/32 A	1 x 5/16 A 1 x 5/32 A	2 x 5/16 A	2 x 5/32 A
<b>SCHUKO Sockets</b>	4	3	5	5
<b>FI Switches (RCCB)</b>		1 x 4/40/0.03 A		1 x 4/40/0.03 A
<b>LS Switch/Fuse</b>	1 x 32 A, 3-pole C 2 x 16 A, 3-pole C 4 x 16 A, 1-pole B	1 x 32 A, 3-pole C 1 x 16 A, 3-pole C 3 x 16 A, 1-pole B	2 x 16 A, 3-pole C 5 x 16 A, 1-pole B	2 x 32 A, 3-pole C 3 x 16 A, 1-pole B
<b>Item-No.</b>	<b>Z 45.05</b>	<b>Z 45.06</b>	<b>Z 45.07</b>	<b>Z 45.08</b>

<b>Fitted with</b>		
<b>CEE Sockets</b>	1 x 5/16 A 1 x 5/32 A	1 x 5/16 A
<b>SCHUKO Sockets</b>	4	5
<b>FI Switches (RCCB)</b>		1 x 4/40/0.03 A
<b>LS Switch/Fuse</b>	Neozed Fuse Sockets 1 x 63 A, 3-pole 1 x 16 A, 3-pole 2 x 16 A, 1-pole	5 x 16 A, 1-pole B 1 x 16 A, 3-pole C
<b>Item-No.</b>	<b>Z 45.10</b>	<b>Z 45.17</b>

# WALL-MOUNTED DISTRIBUTOR BOXES (PLASTIC)

splash-proof IP44, pre-wired ready to connect

**SERIES**  
**45**

## HOUSING SIZE

W x H x D 292 x 214 x 109 mm  
(without additions)

Fitted with the standard combination or a configuration tailored to your specific requirements



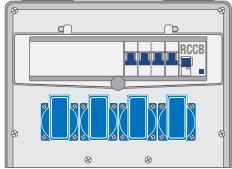
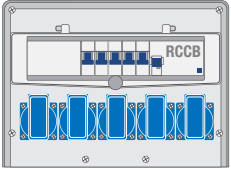
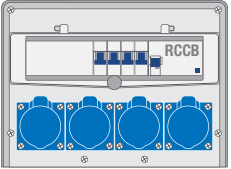
## HOUSING ONLY

Cable Inlet: 2 x M40 (top)

Without apron Interior mount using mounting rail for 13 HP

**ITEM-NO. B 45.04**

### Socket Outlet Combination Options

			
<b>Fitted with</b>			
<b>CEE Sockets</b>			4 x 3/16 A
<b>SCHUKO Sockets</b>	4	5	
<b>FI Switches (RCCB)</b>	1 x 2/25/0.03 A	1 x 4/40/0.03 A	1 x 4/40/0.03 A
<b>LS Switch/Fuse</b>	4 x 16 A, 1-pole B	5 x 16 A, 1-pole B	4 x 16 A, 1-pole C
<b>Item-No.</b>	<b>Z 45.01</b>	<b>Z 45.03</b>	<b>Z 45.04</b>

**SERIES**  
**51**

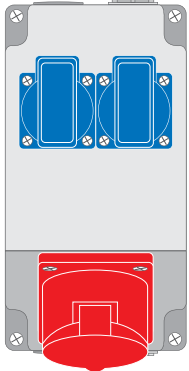
## HOUSING SIZE

W x H x D 118 x 225 x 129 mm  
(without additions)

Fitted with the standard combination or a configuration tailored to your specific requirements



### Socket Outlet Combination Options

	
<b>Fitted with</b>	
<b>CEE Sockets</b>	1 x 5/16 A
<b>SCHUKO Sockets</b>	2
<b>FI Switches (RCCB)</b>	
<b>LS Switch/Fuse</b>	
<b>Item-No.</b>	<b>Z 51.01</b>

## HOUSING ONLY

PBT/PC-Blend

Cable Inlets: top and bottom, 2 x M25 each

Without window

**ITEM-NO. B 51.00**

# WALL-MOUNTED DISTRIBUTOR BOXES (PLASTIC)

splash-proof IP44, pre-wired ready to connect

**SERIES**  
**52**

## HOUSING SIZE

W x H x D 138 x 245 x 131 mm  
(without additions)

Fitted with the standard combination or a configuration tailored to your specific requirements



## HOUSING ONLY

PBT/PC-Blend

Cable Inlets: top and bottom, 2 x M25 each

With window and mounting rail for 7 HP

**ITEM-NO. B 52.01**

Without window

**ITEM-NO. B 52.00**

## Socket Outlet Combination Options

<b>Fitted with</b>				
<b>CEE Sockets</b>	1 x 5/16 A	1 x 5/16 A	1 x 5/16 A	1 x 5/16 A
<b>SCHUKO Sockets</b>	2	2	2	2
<b>FI Switches (RCCB)</b>			4/40/0.03 A	4/40/0.03 A
<b>LS Switch/Fuse</b>	1 x 16 A, 3-pole C 2 x 16 A, 1-pole B	1 x 16 A, 3-pole C 2 x 16 A, 1-pole C	1 x 16 A, 1-pole B	2 x 16 A, 1-pole B
<b>Item-No.</b>	<b>Z 52.02</b>	<b>Z 52.22</b>	<b>Z 52.07</b>	<b>Z 52.27</b>

<b>Fitted with</b>				
<b>CEE Sockets</b>	1 x 5/32 A	1 x 5/32 A	1 x 5/32 A	1 x 5/32 A
<b>SCHUKO Sockets</b>	2	2	2	2
<b>FI Switches (RCCB)</b>			4/40/0.03 A	4/40/0.03 A
<b>LS Switch/Fuse</b>	1 x 32 A, 3-pole C 2 x 16 A, 1-pole B	1 x 32 A, 3-pole C 2 x 16 A, 1-pole C	1 x 16 A, 1-pole B	2 x 16 A, 1-pole B
<b>Item-No.</b>	<b>Z 52.11</b>	<b>Z 52.32</b>	<b>Z 52.34</b>	<b>Z 52.37</b>



# WALL-MOUNTED DISTRIBUTOR BOXES (PLASTIC)

splash-proof IP44, pre-wired ready to connect

**SERIES**  
52

## HOUSING SIZE

W x H x D 138 x 245 x 131 mm  
(without additions)

Fitted with the standard combination or a configuration tailored to your specific requirements



## HOUSING ONLY

PBT/PC-Blend

Cable Inlets: top and bottom, 2 x M25 each

With window and mounting rail for 7 HP

**ITEM-NO. B 52.01**

Without window

**ITEM-NO. B 52.00**

## Socket Outlet Combination Options

<b>Fitted with</b>				
<b>CEE Sockets</b>				
<b>SCHUKO Sockets</b>	3	4	4	4
<b>FI Switches (RCCB)</b>	1 x 4/40/0.03 A		1 x 2/25/0.03 A	1 x 4/40/0.03 A
<b>LS Switch/Fuse</b>	3 x 16 A, 1-pole C	4 x 16 A, 1-pole B	4 x 16 A, 1-pole B	2 x 16 A, 1-pole B
<b>Item-No.</b>	<b>Z 52.26</b>	<b>Z 52.03</b>	<b>Z 52.24</b>	<b>Z 52.25</b>

<b>Fitted with</b>			
<b>CEE Sockets</b>	1 x 5/16 A	1 x 5/32 A	3 x 5/16 A
<b>SCHUKO Sockets</b>	2	2	
<b>FI Switches (RCCB)</b>			
<b>LS Switch/Fuse</b>	Neozed Fuse Sockets 1 x 16 A, 3-pole 1 x 16 A, 1-pole	Neozed Fuse Sockets 1 x 63 A, 3-pole 1 x 16 A, 1-pole	
<b>Item-No.</b>	<b>Z 52.09</b>	<b>Z 52.10</b>	<b>Z 52.13</b>

# WALL-MOUNTED DISTRIBUTOR BOXES (PLASTIC)

splash-proof IP44, pre-wired ready to connect

**SERIES**  
**54**



## HOUSING SIZE

W x H x D 260 x 461 x 195 mm  
(without additions)

Fitted with the standard combination or a configuration tailored to your specific requirements

## HOUSING ONLY

PBT/PC-Blend

Cable Inlets: 1 x M50 top, 2 x M50 bottom

With window and  
2 mounting rails for 2 x 10 HP

**ITEM-NO. B 54.01**

Without window

**ITEM-NO. B 54.00**

## Socket Outlet Combination Options

<b>Fitted with</b>				
<b>CEE Sockets</b>		6 x 3/16 A	1 x 5/16 A + 1 x 5/32 A	1 x 5/16 A + 1 x 5/32 A
<b>SCHUKO Sockets</b>	12		4	4
<b>FI Switches (RCCB)</b>	1 x 4/40/0.03 A	1 x 4/40/0.03 A	1 x 4/40/0.03 A	1 x 4/63/0.03 A
<b>LS Switch/Fuse</b>	12 x 16 A, 1-pole B	6 x 16 A, 1-pole B	1 x 32 A, 3-pole C 1 x 16 A, 3-pole C 4 x 16 A, 1-pole C	1 x 32 A, 3-pole C 1 x 16 A, 3-pole C 4 x 16 A, 1-pole C
<b>Item-No.</b>	<b>Z 54.14</b>	<b>Z 54.11</b>	<b>Z 54.21</b>	<b>Z 54.20</b>
<b>Note:</b>	with clamping block 2x5x25 mm <sup>2</sup>	with clamping block 2x5x25 mm <sup>2</sup>	with clamping block 2x5x25 mm <sup>2</sup>	with clamping block 2x5x25 mm <sup>2</sup>

<b>Fitted with</b>		
<b>CEE Sockets</b>	1 x 5/16 A 1 x 5/32 A	1 x 5/16 A 1 x 5/32 A
<b>SCHUKO Sockets</b>	2	2
<b>FI Switches (RCCB)</b>	1 x 4/40/0.03 A	1 x 4/63/0.03 A
<b>LS Switch/Fuse</b>	Neozed Fuse Sockets 1 x 63 A, 3-pole 1 x 16 A, 3-pole 2 x 16 A, 1-pole	Neozed fuse sockets 1 x 16 A, 3-pole 1 x 63 A, 3-pole 2 x 16 A, 1-pole
<b>Item-No.</b>	<b>Z 54.33</b>	<b>Z 54.34</b>
<b>Note:</b>	with clamping block 2x5x25 mm <sup>2</sup>	with clamping block 2x5x25 mm <sup>2</sup>

# WALL-MOUNTED DISTRIBUTOR BOXES (PLASTIC)

splash-proof IP44, pre-wired ready to connect

**SERIES**  
54

## HOUSING SIZE

W x H x D 260 x 461 x 195 mm  
(without additions)

Fitted with the standard combination or a configuration tailored to your specific requirements



## HOUSING ONLY

PBT/PC-Blend

Cable Inlets: 1 x M50 top, 2 x M50 bottom

With window and  
2 mounting rails for 2 x 10 HP

**ITEM-NO. B 54.01**

Without window

**ITEM-NO. B 54.00**

## Socket Outlet Combination Options

<b>Fitted with</b>				
<b>CEE Sockets</b>	1 x 5/16 A + 1 x 5/32 A	2 x 5/16 A + 1 x 5/32 A	3 x 5/16 A 1 x 5/32 A	2 x 5/16 A 2 x 5/32 A
<b>SCHUKO Sockets</b>	4	4	3	3
<b>FI Switches (RCCB)</b>	1 x 4/40/0.03 A	1 x 4/63/0.03 A	1 x 4/63/0.03 A	1 x 4/63/0.03 A
<b>LS Switch/Fuse</b>	Neozed Fuse Sockets 1 x 63 A, 3-pole 1 x 16 A, 3-pole 4 x 16 A, 1-pole	1 x 32 A, 3-pole C 2 x 16 A, 3-pole C 4 x 16 A, 1-pole B	1 x 32 A, 3-pole C 3 x 16 A, 3-pole C 3 x 16 A, 1-pole B	2 x 32 A, 3-pole C 2 x 16 A, 3-pole C 3 x 16 A, 1-pole B
<b>Item-No.</b>	<b>Z 54.15</b>	<b>Z 54.22</b>	<b>Z 54.32</b>	<b>Z 54.36</b>
<b>Note:</b>	with clamping block 2x5x25 mm <sup>2</sup>	with clamping block 2x5x25 mm <sup>2</sup>	with clamping block 2x5x25 mm <sup>2</sup>	with clamping block 2x5x25 mm <sup>2</sup>

<b>Fitted with</b>			
<b>CEE Sockets</b>	1 x 5/16 A + 1 x 5/32 A + 1 x 5/63 A	1 x 5/16 A + 1 x 5/32 A + 1 x 5/63 A	1 x 5/16 A + 1 x 5/32 A + 1 x 5/63 A
<b>SCHUKO Sockets</b>	2	2	2
<b>FI Switches (RCCB)</b>	1 x 4/63/0.03 A	1 x 4/63/0.03 A	1 x 4/63/0.03 A
<b>LS Switch/Fuse</b>	1 x 63 A, 3-pole C 1 x 32 A, 3-pole C 1 x 16 A, 3-pole C 2 x 16 A, 1-pole B	Neozed Fuse Sockets 2 x 63 A, 3-pole C 1 x 16 A, 3-pole C LS Switch 2 x 16 A, 1-pole B	1 x Neozed fuse sockets 63 A, 3-pole LS Switch 1 x 32 A, 3-pole C 1 x 16 A, 3-pole C 2 x 16 A, 1-pole C
<b>Item-No.</b>	<b>Z 54.66</b>	<b>Z 54.67</b>	<b>Z 54.69</b>
<b>Note:</b>	with clamping block 2x5x25 mm <sup>2</sup>	with clamping block 2x5x25 mm <sup>2</sup>	with clamping block 2x5x25 mm <sup>2</sup>

# WALL-MOUNTED DISTRIBUTOR BOXES (PLASTIC)

splash-proof IP44, pre-wired ready to connect

**SERIES**  
**59**

## HOUSING SIZE

W x H x D 205 x 320 x 146 mm  
(without additions)

Fitted with the standard combination or a configuration tailored to your specific requirements



## HOUSING ONLY

PBT/PC-Blend, angled cover

Cable Inlets: 1 x M32 top, 2 x M32 bottom

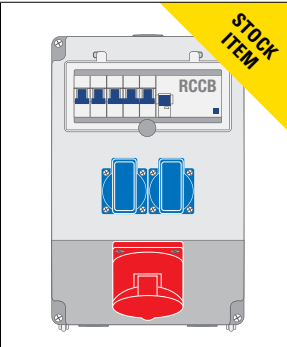
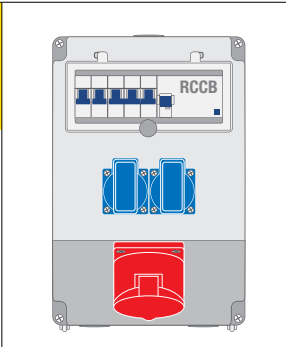
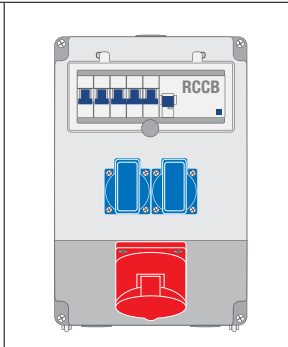
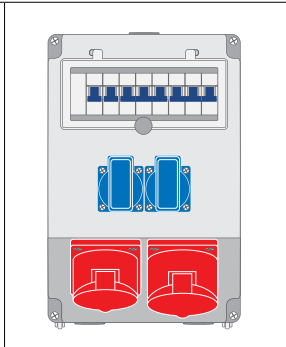
With window and mounting rail for 9 HP

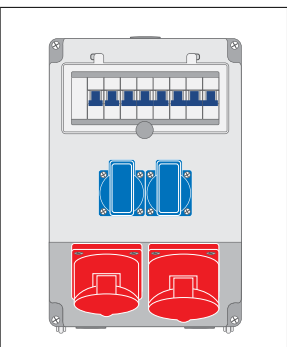
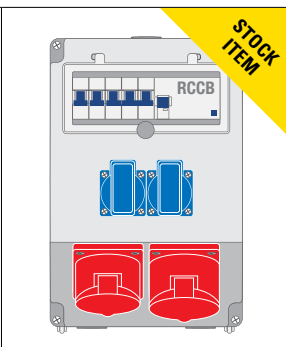
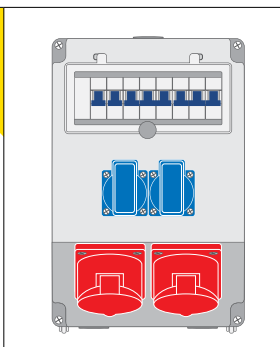
**ITEM-NO. B 59.03**

Without window

**ITEM-NO. B 59.01**

## Socket Outlet Combination Options

				
<b>Fitted with</b>				
<b>CEE Sockets</b>	1 x 5/16 A	1 x 5/16 A	1 x 5/32 A	1 x 5/16 A + 1 x 5/32 A
<b>SCHUKO Sockets</b>	2	2	2	2
<b>FI Switches (RCCB)</b>	4/40/0.03 A	4/40/0.03 A	4/40/0.03 A	
<b>LS Switch/Fuse</b>	1 x 16 A, 3-pole C 2 x 16 A, 1-pole B	1 x 16 A, 3-pole C 2 x 16 A, 1-pole C	1 x 32 A, 3-pole C 2 x 16 A, 1-pole B	1 x 32 A, 3-pole C 1 x 16 A, 3-pole C 2 x 16 A, 1-pole B
<b>Item-No.</b>	<b>Z 59.06</b>	<b>Z 59.16</b>	<b>Z 59.36</b>	<b>Z 59.05</b>
<b>Note:</b>	with clamping block 2x5x25 mm <sup>2</sup>	with clamping block 2x5x25 mm <sup>2</sup>	with clamping block 2x5x25 mm <sup>2</sup>	with clamping block 2x5x25 mm <sup>2</sup>

			
<b>Fitted with</b>			
<b>CEE Sockets</b>	1 x 5/16 A + 1 x 5/32 A	1 x 5/16 A + 1 x 5/32 A	2 x 5/16 A
<b>SCHUKO Sockets</b>	2	2	2
<b>FI Switches (RCCB)</b>		4/40/0.03 A	
<b>LS Switch/Fuse</b>	1 x 32 A, 3-pole C 1 x 16 A, 3-pole C 2 x 16 A, 1-pole C	1 x 16 A, 3-pole C 2 x 16 A, 1-pole B	2 x 16 A, 3-pole C 2 x 16 A, 1-pole B
<b>Item-No.</b>	<b>Z 59.25</b>	<b>Z 59.26</b>	<b>Z 59.02</b>
<b>Note:</b>	with clamping block 2x5x25 mm <sup>2</sup>	with clamping block 2x5x25 mm <sup>2</sup>	with clamping block 2x5x25 mm <sup>2</sup>

# WALL-MOUNTED DISTRIBUTOR BOXES (PLASTIC)

splash-proof IP44, pre-wired ready to connect

**SERIES**  
**59**

## HOUSING SIZE

W x H x D 205 x 320 x 146 mm  
(without additions)

Fitted with the standard combination or a configuration tailored to your specific requirements



## HOUSING ONLY

PBT/PC-Blend, angled cover

Cable Inlets: 1 x M32 top, 2 x M32 bottom

With window and mounting rail for 9 HP

**ITEM-NO. B 59.03**

Without window

**ITEM-NO. B 59.01**

## Socket Outlet Combination Options

<b>Fitted with</b>			
<b>CEE Sockets</b>	2 x 5/32 A	2 x 5/16 A	3 x 5/16 A
<b>SCHUKO Sockets</b>	2	3	
<b>FI Switches (RCCB)</b>			
<b>LS Switch/Fuse</b>	2 x 32 A, 3-pole C 2 x 16 A, 1-pole B	2 x 16 A, 3-pole C 3 x 16 A, 1-pole B	3 x 16 A, 3-pole C
<b>Item-No.</b>	<b>Z 59.32</b>	<b>Z 59.07</b>	<b>Z 59.08</b>
<b>Note:</b>	with clamping block 2x5x25 mm <sup>2</sup>	with clamping block 2x5x25 mm <sup>2</sup>	with clamping block 2x5x25 mm <sup>2</sup>



# WALL-MOUNTED DISTRIBUTOR BOXES (PLASTIC)

splash-proof IP44, pre-wired ready to connect

**SERIES**  
**60**

## HOUSING SIZE

W x H x D 260 x 319 x 146 mm  
(without additions)

Fitted with the standard combination or a configuration tailored to your specific requirements



## HOUSING ONLY

PBT/PC-Blend, flat cover

Cable Inlets: top and bottom, 2 x M40 each

With window and mounting rail for 12 HP

**ITEM-NO. B 60.02**

Without window

**ITEM-NO. B 60.00**

## Socket Outlet Combination Options

<b>Fitted with</b>				
<b>CEE Sockets</b>	4 x 5/16 A	4 x 5/32 A		
<b>SCHUKO Sockets</b>			6	8
<b>FI Switches (RCCB)</b>			6 x FI/LS 2/C16/0.03 A	1 x 4/40/0.03 A
<b>LS Switch/Fuse</b>	4 x 16 A, 3-pole C	4 x 32 A, 3-pole C		8 x 16 A, 1-pole B
<b>Item-No.</b>	<b>Z 60.22</b>	<b>Z 60.23</b>	<b>Z 60.30</b>	<b>Z 60.31</b>
<b>Note:</b>	with clamping block 2x5x25 mm <sup>2</sup>	with clamping block 2x5x25 mm <sup>2</sup>	with clamping block 2x5x25 mm <sup>2</sup>	with clamping block 2x5x25 mm <sup>2</sup>

# WALL-MOUNTED DISTRIBUTOR BOXES (PLASTIC)

For combination with housing Item No. B 60.00 · splash-proof IP44, pre-wired ready to connect

**SERIES**  
**60**

## HOUSING SIZE

W x H x D 260 x 319 x 146 mm  
(without additions)

Fitted with the standard combination or a configuration tailored to your specific requirements



## HOUSING ONLY

PBT/PC-Blend, flat cover

Cable Inlets: top and bottom, 2 x M40 each

With 2 windows and mounting rail for 2 x 12 HP

**ITEM-NO. B 60.04**

## Socket Outlet Combination Options

Housing size for the entire combination 261 x 640 mm		
<b>Fitted with</b>		
<b>CEE Sockets</b>	2 x 5/16 A 2 x 5/32 A	1 x 5/16 A 1 x 5/32 A 1 x 5/63 A
<b>SCHUKO Sockets</b>	4	4
<b>FI Switches (RCCB)</b>		1 x 4/63/0.03 A
<b>LS Switch/Fuse</b>	Neozed Fuse Sockets 2 x 63 A, 3-pole 2 x 16 A, 3-pole 4 x 16 A, 1-pole	1 x 63 A, 3-pole C 1 x 32 A, 3-pole C 1 x 16 A, 3-pole C 4 x 16 A, 1-pole B
<b>Item-No.</b>	<b>Z 60.27</b>	<b>Z 60.38</b>
<b>Note:</b>	with clamping block 2x5x25 mm <sup>2</sup>	with clamping block 2x5x25 mm <sup>2</sup>

# WALL-MOUNTED DISTRIBUTOR BOXES (PLASTIC)

splash-proof IP44, pre-wired ready to connect

**SERIES**  
**60**



## HOUSING SIZE

W x H x D 260 x 319 x 146 mm  
(without additions)

Fitted with the standard combination or a configuration tailored to your specific requirements

## HOUSING ONLY

PBT/PC-Blend, angled cover

Cable Inlets: top and bottom, 2 x M40 each

With window  
and mounting rail for 12 HP

**ITEM-NO. B 60.03**

Without window

**ITEM-NO. B 60.01**

## Socket Outlet Combination Options

<b>Fitted with</b>				
<b>CEE Sockets</b>	2 x 5/16 A	2 x 5/16 A	2 x 5/16 A	1 x 5/16 A + 1 x 5/32 A
<b>SCHUKO Sockets</b>	2	2	2	2
<b>FI Switches (RCCB)</b>	1 x 4/40/0.03 A	1 x 4/40/0.03 A		
<b>LS Switch/Fuse</b>	2 x 16 A, 3-pole C 2 x 16 A, 1-pole B	2 x 16 A, 3-pole C 2 x 16 A, 1-pole C	Neozed Fuse Sockets 2 x 16 A, 3-pole 2 x 16 A, 1-pole	Neozed Fuse Sockets 1 x 63 A, 3-pole 1 x 16 A, 3-pole 2 x 16 A, 1-pole
<b>Item-No.</b>	<b>Z 60.02</b>	<b>Z 60.42</b>	<b>Z 60.03</b>	<b>Z 60.10</b>
<b>Note:</b>	with clamping block 2x5x25 mm <sup>2</sup>	with clamping block 2x5x25 mm <sup>2</sup>	with clamping block 2x5x25 mm <sup>2</sup>	with clamping block 2x5x25 mm <sup>2</sup>

<b>Fitted with</b>				
<b>CEE Sockets</b>	2 x 5/16 A	2 x 5/16 A	1 x 5/16 A + 1 x 5/32 A	1 x 5/16 A + 1 x 5/32 A
<b>SCHUKO Sockets</b>	4	4	4	4
<b>FI Switches (RCCB)</b>	1 x 4/40/0.03 A	1 x 4/40/0.03 A		1 x 4/63/0.03 A
<b>LS Switch/Fuse</b>	2 x 16 A, 3-pole C 2 x 16 A, 1-pole B	2 x 16 A, 3-pole C 2 x 16 A, 1-pole C	1 x 32 A, 3-pole C 1 x 16 A, 3-pole C 4 x 16 A, 1-pole B	1 x 32 A, 3-pole C 1 x 16 A, 3-pole C 2 x 16 A, 1-pole B
<b>Item-No.</b>	<b>Z 60.37</b>	<b>Z 60.47</b>	<b>Z 60.04</b>	<b>Z 60.34</b>
<b>Note:</b>	with clamping block 2x5x25 mm <sup>2</sup>	with clamping block 2x5x25 mm <sup>2</sup>	with clamping block 2x5x25 mm <sup>2</sup>	with clamping block 2x5x25 mm <sup>2</sup>

# WALL-MOUNTED DISTRIBUTOR BOXES (PLASTIC)

splash-proof IP44, pre-wired ready to connect

**SERIES**  
**60**

## HOUSING SIZE

W x H x D 260 x 319 x 146 mm  
(without additions)

Fitted with the standard combination or a configuration tailored to your specific requirements



## HOUSING ONLY

PBT/PC-Blend, angled cover

Cable Inlets: top and bottom, 2 x M40 each

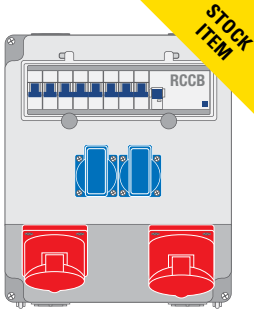
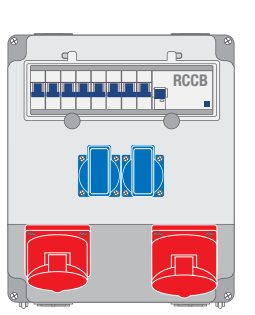
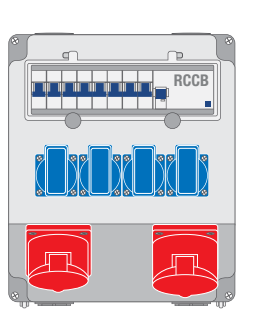
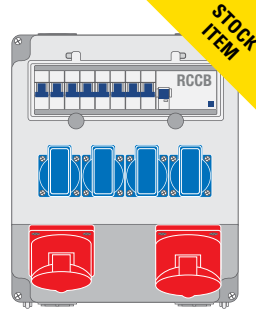
With window  
and mounting rail for 12 HP

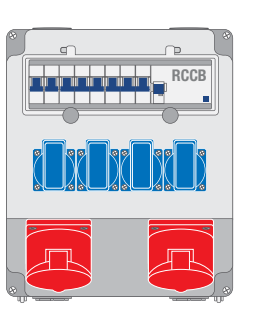
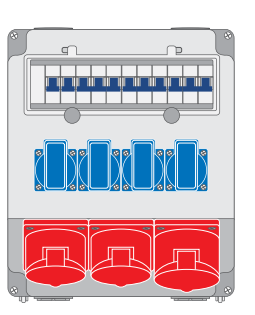
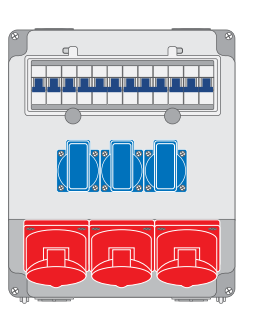
**ITEM-NO. B 60.03**

Without window

**ITEM-NO. B 60.01**

## Socket Outlet Combination Options

				
<b>Fitted with</b>				
<b>CEE Sockets</b>	1 x 5/16 A + 1 x 5/32 A	1 x 5/16 A + 1 x 5/32 A	1 x 5/16 A + 1 x 5/32 A	1 x 5/16 A + 1 x 5/32 A
<b>SCHUKO Sockets</b>	2	2	4	4
<b>FI Switches (RCCB)</b>	1 x 4/40/0.03 A	1 x 4/40/0.03 A	1 x 4/40/0.03 A	1 x 4/40/0.03 A
<b>LS Switch/Fuse</b>	1 x 32 A, 3-pole C 1 x 16 A, 3-pole C 2 x 16 A, 1-pole B	1 x 32 A, 3-pole C 1 x 16 A, 3-pole C 2 x 16 A, 1-pole C	1 x 32 A, 3-pole C 1 x 16 A, 3-pole C 2 x 16 A, 1-pole C	1 x 32 A, 3-pole C 1 x 16 A, 3-pole C 2 x 16 A, 1-pole B
<b>Item-No.</b>	<b>Z 60.16</b>	<b>Z 60.36</b>	<b>Z 60.44</b>	<b>Z 60.14</b>
<b>Note:</b>	with clamping block 2x5x25 mm <sup>2</sup>	with clamping block 2x5x25 mm <sup>2</sup>	with clamping block 2x5x25 mm <sup>2</sup>	with clamping block 2x5x25 mm <sup>2</sup>

			
<b>Bestückung</b>			
<b>CEE-Steckdosen</b>	2 x 5/32 A	2 x 5/16 A 1 x 5/32 A	3 x 5/16 A
<b>SCHUKO-Steckdosen</b>	4	4	3
<b>FI-Schalter (RCCB)</b>	1 x 4/40/0.03 A		
<b>LS-Schalter/Sicherung</b>	2 x 32 A, 3-pole C 2 x 16 A, 1-pole B	1 x 32 A, 3-pole C 2 x 16 A, 3-pole C 2 x 16 A, 1-pole B	3 x 16 A, 3-pole C 3 x 16 A, 1-pole B
<b>Prod.-Nr.</b>	<b>Z 60.32</b>	<b>Z 60.15</b>	<b>Z 60.01</b>
<b>Hinweis</b>	with clamping block 2x5x25 mm <sup>2</sup>	with clamping block 2x5x25 mm <sup>2</sup>	with clamping block 2x5x25 mm <sup>2</sup>

# WALL-MOUNTED DISTRIBUTOR BOXES (PLASTIC)

splash-proof IP44, pre-wired ready to connect

**SERIES**  
**60**

## HOUSING SIZE

W x H x D 260 x 319 x 146 mm  
(without additions)

Fitted with the standard combination or a configuration tailored to your specific requirements



## HOUSING ONLY

PBT/PC-Blend, angled cover

Cable Inlets: top and bottom, 2 x M40 each

With window  
and mounting rail for 12 HP

**ITEM-NO. B 60.03**

Without window

**ITEM-NO. B 60.01**

## Steckdosen-Kombinationsmöglichkeiten

<b>Bestückung</b>		
<b>CEE-Steckdosen</b>	1 x 5/16 A + 1 x 5/32 A + 1 x 5/63 A	1 x 5/16 A + 1 x 5/32 A + 1 x 5/63 A
<b>SCHUKO-Steckdosen</b>	2	2
<b>FI-Schalter (RCCB)</b>		1 x 4/63/0.03 A
<b>LS-Schalter/Sicherung</b>	1 x 63 A, 3-pole C 1 x 32 A, 3-pole C 1 x 16 A, 3-pole C 2 x 16 A, 1-pole B	1 x 32 A, 3-pole C 1 x 16 A, 3-pole C 2 x 16 A, 1-pole B
<b>Prod.-Nr.</b>	<b>Z 60.06</b>	<b>Z 60.66</b>
<b>Hinweis</b>	with clamping block 2x5x25 mm <sup>2</sup>	with clamping block 2x5x25 mm <sup>2</sup>



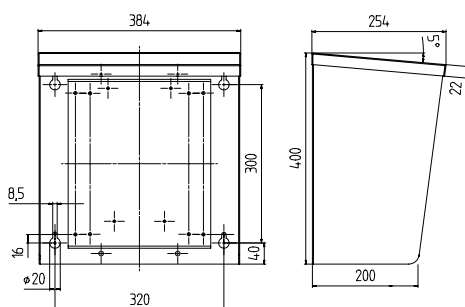
# STAINLESS STEEL WEATHER SHIELDS

For wall-mounting or freestanding installations



## Weatherproofing

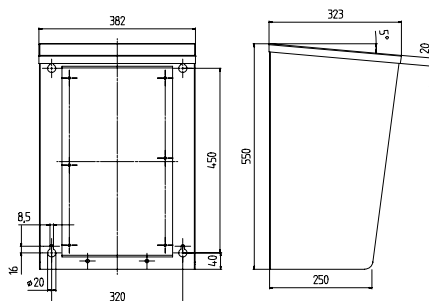
In conjunction with our weather shields, our socket combinations are also perfectly suited for outdoor installation.



### WEATHER SHIELD

Stainless steel  
dimensions W x H x D  
384 x 400 x 254 / 200 mm  
Pre-punched holes  
for wall-mounting  
Distributor Boxes (plastic)  
Series 45, 59 and 60

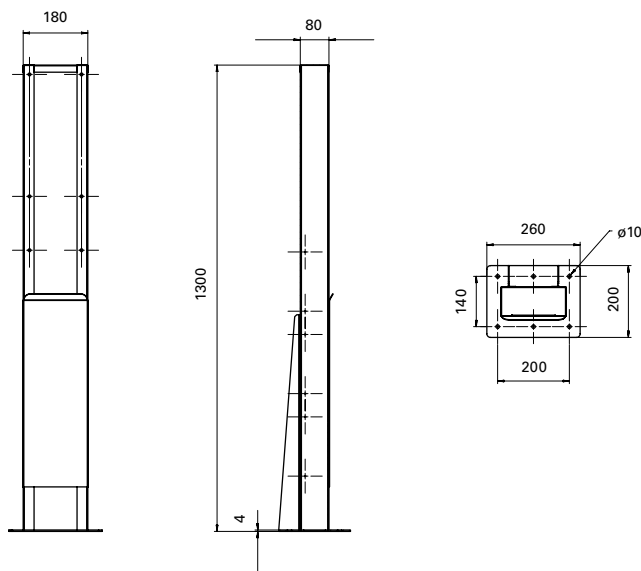
**ITEM-NO. WSD60**



### WEATHER SHIELD

Stainless steel  
dimensions W x H x D  
382 x 550 x 323 / 250 mm  
Pre-punched holes  
for wall-mounting  
Distributor Boxes (plastic)  
Series 54

**ITEM-NO. WSD54**



### FREESTANDING POWER DISTRIBUTOR

Stainless steel  
height 1300 mm for weather  
shields WSD60 and  
WSD54, detachable,  
height adjustable  
cover plate, solid stainless  
steel base plate  
260 x 200 mm with pre-drilled  
holes (ø 10 mm) for fast  
installation, additional bracing  
at the back for high stability

**ITEM-NO. STS5460**

# WALL-MOUNTED DISTRIBUTOR BOXES (RUBBER)

splash-proof IP44, pre-wired ready to connect

**SERIES**  
**88**

## HOUSING SIZE

W x H x D 298 x 370 x 203 mm  
(without additions)

Fitted with the standard combination or a configuration tailored to your specific requirements



## HOUSING ONLY

Solid rubber housing with protective lip  
Housing cover hinged to housing base

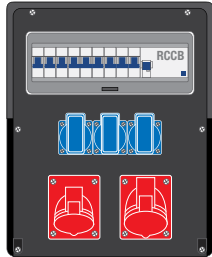
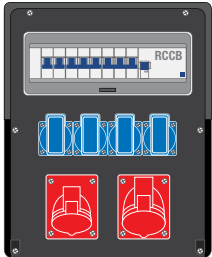
Cable Inlets: top and bottom, 2 x M32 each

With window  
and mounting rail for 13 HP

**ITEM-NO. B 88.01**

Without window  
**ITEM-NO. B 88.00**

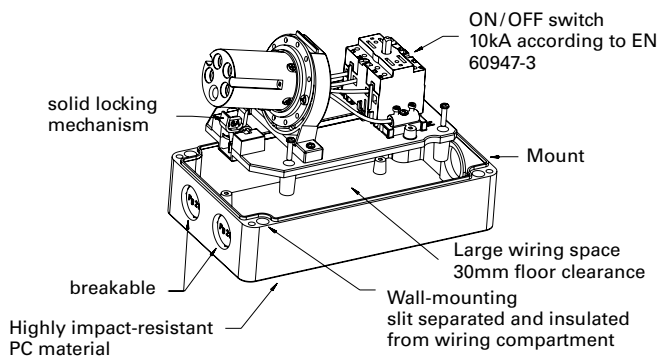
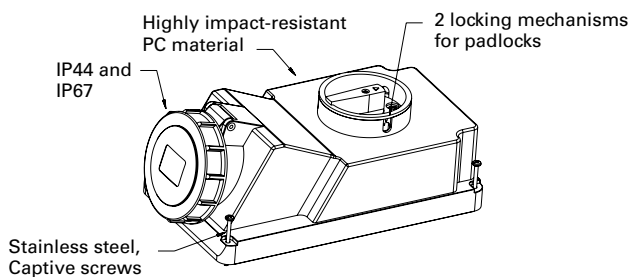
## Wall-mounted Distributor Boxes (rubber)-Combination options

		
<b>Fitted with</b>		
<b>CEE Sockets</b>	1 x 5/16 A 1 x 5/32 A	1 x 5/16 A 1 x 5/32 A
<b>SCHUKO Sockets</b>	3	4
<b>FI Switches (RCCB)</b>	1 x 4/40/0.03 A	1 x 4/40/0.03 A
<b>LS Switch/Fuse</b>	1 x 32 A, 3-pole C 1 x 16 A, 3-pole C 3 x 16 A, 1-pole B	1 x 32 A, 3-pole C 1 x 16 A, 3-pole C 2 x 16 A, 1-pole C
<b>Supply Cable</b>		
<b>Item-No.</b>	<b>Z 88.01</b>	<b>Z 88.02</b>
<b>Note:</b>	with clamping block 2 x 5 x 25 mm <sup>2</sup>	with clamping block 2 x 5 x 25 mm <sup>2</sup>

# SWITCHABLE WALL-MOUNTED SOCKETS



## 16 A AND 32 A VERSIONS



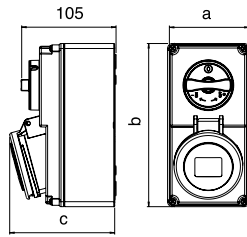
## Specifications

- Wide range of models (16 to 63 A) available (16 A and 32 A; 3, 4 or 5 poles)
- 16 A and 32 A with loop-through wiring
- Some models with DIN Rail (EN50022) for 5 or 6 automatic safety switches and pre-wired up to the rail ON/OFF switch 10 kA according to EN 60947-3
- Locking mechanism  
Plug is locked  
After inserting and switching ON  
After switching OFF and unplugging, the switch is blocked
- Lockable in the OFF position (4mm padlock)
- Large wiring space
- Slit for wall-mounting separated and insulated from wiring compartment
- IP44 and IP67
- Checked according to EN 60309

## Functional Characteristics

- Switchable wall-mounted or side-mounted base box
- Standard configuration, compact design
- PC/ABS wall socket
- Compact and space-saving design
- Flanged version available
- Padlock lockable
- Locking mechanism
- Large wiring space  
Cable Inlets top and bottom
- 16 A and 32 A with loop-through wiring
- Pre-wired ready to connect

# SWITCHABLE WALL-MOUNTED SOCKETS



NUMBER OF POLES	3	4	5	3	4	5
AMPERE	16			32		
a	90	90	90	90	90	90
b	180	180	180	180	180	180
c	115	116	117	123	123	124
Switching Contacts	2	3	4	2	3	4
Gewicht [g/Stück]	596	657	695	654	712	754

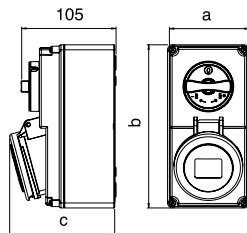
## SWITCHABLE WALL SOCKET

splash-proof IP44

- Locking mechanism
- Padlock lockable
- All components Stationary to the top section

VOLTAGE	110 V~	230 V~	400 V~	440 V~	500 V~
FREQUENCY	50/60 Hz	50/60 Hz	50/60 Hz	50/60 Hz	50/60 Hz
DESIGNATION	4h	3p = 6h 4p/5p = 9h	3p = 9h 4p/5p = 6h	11h	7h

AMPERE	POLES	ITEM-NO.	ITEM-NO.	ITEM-NO.	ITEM-NO.	ITEM-NO.	PACKING UNIT
16	3	C31S101	C31S201	C31S301		C31S501	1
16	4	C41S101	C41S201	C41S301	C41S401	C41S501	1
16	5	C51S101	C51S201	C51S301		C51S501	1
32	3	C32S101	C32S201	C32S301		C32S501	1
32	4	C42S101	C42S201	C42S301	C42S401	C42S501	1
32	5	C52S101	C52S201	C52S301		C52S501	1



NUMBER OF POLES	3	4	5	3	4	5
AMPERE	16			32		
a	90	90	90	90	90	90
b	180	180	180	180	180	180
c	119	120	122	125	125	128
Switching Contacts	2	3	4	2	3	4
Gewicht [g/Stück]	596	657	695	654	712	754

## SWITCHABLE WALL SOCKET

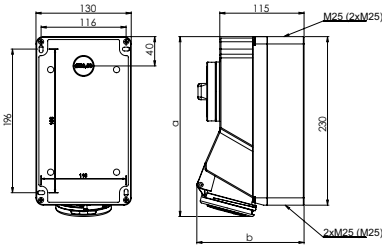
waterproof IP67

- Locking mechanism
- Padlock lockable
- All components Stationary to the top section

VOLTAGE	110 V~	230 V~	400 V~	440 V~	500 V~
FREQUENCY	50/60 Hz	50/60 Hz	50/60 Hz	50/60 Hz	50/60 Hz
DESIGNATION	4h	3p = 6h 4p/5p = 9h	3p = 9h 4p/5p = 6h	11h	7h

AMPERE	POLES	ITEM-NO.	ITEM-NO.	ITEM-NO.	ITEM-NO.	ITEM-NO.	PACKING UNIT
16	3	C31S151	C31S251	C31S351		C31S551	1
16	4	C41S151	C41S251	C41S351	C41S451	C41S551	1
16	5	C51S151	C51S251	C51S351		C51S551	1
32	3	C32S151	C32S251	C32S351		C32S551	1
32	4	C42S151	C42S251	C42S351	C42S451	C42S551	1
32	5	C52S151	C52S251	C52S351		C52S551	1

# SWITCHABLE WALL-MOUNTED SOCKETS



NUMBER OF POLES	3	4	5	3	4	5
AMPERE	16			32		

a	248	249	250	253	253	254
b	146	146	146	150	150	157
M	3x25	3x25	3x25	3x25	3x25	3x25
Switching Contacts	2	3	4	2	3	4
Weight [g/each]	1123	1143	1183	1203	1213	1263

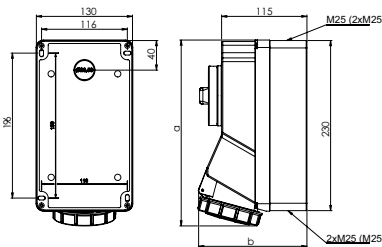
## SWITCHABLE WALL SOCKET

splash-proof IP44

- Locking mechanism
- Padlock lockable
- Top, bottom and rear cable inlets
- All components Stationary to the top section

VOLTAGE	110 V~	230 V~	400 V~	440 V~	500 V~
FREQUENCY	50/60 Hz	50/60 Hz	50/60 Hz	50/60 Hz	50/60 Hz
DESIG-NATION	4h	3p = 6h 4p/5p = 9h	3p = 9h 4p/5p = 6h	11h	7h

AMPERE	POLES	ITEM-NO.	ITEM-NO.	ITEM-NO.	ITEM-NO.	ITEM-NO.	PACKING UNIT
16	3	C31S102	C31S202	C31S302		C31S502	1
16	4	C41S102	C41S202	C41S302	C41S402	C41S502	1
16	5	C51S102	C51S202	C51S302		C51S502	1
32	3	C32S102	C32S202	C32S302		C32S502	1
32	4	C42S102	C42S202	C42S302	C42S402	C42S502	1
32	5	C52S102	C52S202	C52S302		C52S502	1



NUMBER OF POLES	3	4	5	3	4	5
AMPERE	16			32		

a	248	249	250	253	253	254
b	146	146	146	150	150	157
M	3x25	3x25	3x25	3x25	3x25	3x25
AC 22A	20 A	20 A	20 A	32 A	32 A	32 A
Switching Contacts	2	3	4	2	3	4
Weight [g/each]	1130	1150	1190	1210	1220	1270

## SWITCHABLE WALL SOCKET

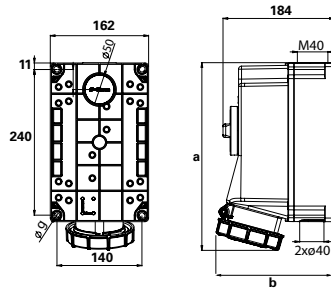
waterproof IP67

- Locking mechanism
- Padlock lockable
- Top, bottom and rear cable inlets
- All components Stationary to the top section

VOLTAGE	110 V~	230 V~	400 V~	440 V~	500 V~
FREQUENCY	50/60 Hz	50/60 Hz	50/60 Hz	50/60 Hz	50/60 Hz
DESIG-NATION	4h	3p = 6h 4p/5p = 9h	3p = 9h 4p/5p = 6h	11h	7h

AMPERE	POLES	ITEM-NO.	ITEM-NO.	ITEM-NO.	ITEM-NO.	ITEM-NO.	PACKING UNIT
16	3	C31S152	C31S252	C31S352		C31S552	1
16	4	C41S152	C41S252	C41S352	C41S452	C41S552	1
16	5	C51S152	C51S252	C51S352		C51S552	1
32	3	C32S152	C32S252	C32S352		C32S552	1
32	4	C42S152	C42S252	C42S352	C42S452	C42S552	1
32	5	C52S152	C52S252	C52S352		C52S552	1

# SWITCHABLE WALL-MOUNTED SOCKETS



NUMBER OF POLES	3	4	5
AMPERE	63		

a	310	310	310
b	195	195	195
AC 22 A	63 A	63 A	63 A
Switching Contacts	2	3	4
Weight [g/each]	1810	1944	2083

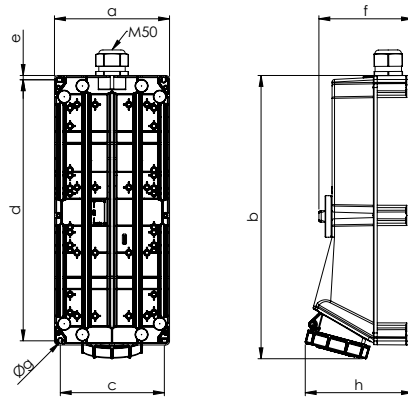
## SWITCHABLE WALL SOCKET

waterproof IP67

- HighPower version
- Nickel plated contacts with pilot contact
- Locking mechanism
- Padlock lockable
- Housing reversible 180°
- All components Stationary to the top section

VOLTAGE	110 V~	230 V~	400 V~	440 V~	500 V~
FREQUENCY	50/60 Hz	50/60 Hz	50/60 Hz	50/60 Hz	50/60 Hz
DESIG-NATION	4h	3p = 6h 4p/5p = 9h	3p = 9h 4p/5p = 6h	11h	7h

AMPERE	POLES	ITEM-NO.	ITEM-NO.	ITEM-NO.	ITEM-NO.	ITEM-NO.	PACKING UNIT
63	3	C33S155	C33S255	C33S355		C33S555	1
63	4	C43S155	C33S255	C43S355	C43S455	C43S555	1
63	5	C53S155	C33S255	C53S355		C53S555	1



NUMBER OF POLES	3	4	5
AMPERE	125		

a	222	222	222
b	547	547	547
c	201	201	201
d	505	505	505
e	9	9	9
f	182	182	182
ø g	6.5	6.5	6.5
h	209	209	209
AC 22 A	125	125	125
Switching Contacts	2	3	4
Weight [g/each]	4000	4260	4600

## SWITCHABLE WALL SOCKET

waterproof IP67

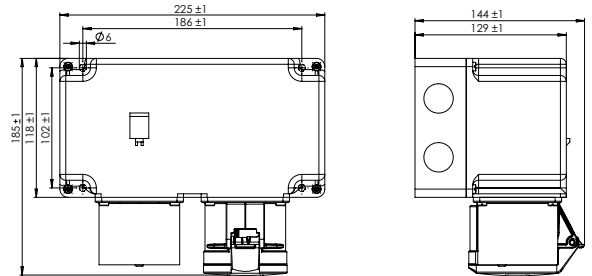
- HighPower version
- Nickel plated contacts with pilot contact
- Locking mechanism
- Padlock lockable
- All components Stationary to the top section

VOLTAGE	110 V~	230 V~	400 V~	440 V~	500 V~
FREQUENCY	50/60 Hz	50/60 Hz	50/60 Hz	50/60 Hz	50/60 Hz
DESIG-NATION	4h	3p = 6h 4p/5p = 9h	3p = 9h 4p/5p = 6h	11h	7h

AMPERE	POLES	ITEM-NO.	ITEM-NO.	ITEM-NO.	ITEM-NO.	ITEM-NO.	PACKING UNIT
125	3	-	-	-		-	1
125	4	-	-	C44S355	-	-	1
125	5	-	-	C54S355		-	1

# CEE SOCKET OUTLET COMBINATIONS

Power Inlets for Transportable Site Offices



## SOCKET OUTLET COMBINATION

splash-proof IP44

- Housing Size W x H x D  
225 x 118 x 131 mm  
(without additions)
- Cable Inlets: 2 x M25  
on each side
- Clock setting 6h

### Socket Outlet Combination Options

<b>Fitted with</b>	
<b>Sockets</b>	1 x 5/32 A
<b>SCHUKO Sockets</b>	
<b>FI Switches (RCCB)</b>	
<b>LS Switch/Fuse</b>	
<b>Feed plugs</b>	1 x 5/32 A
<b>Item-No.</b>	<b>Z 57.36</b>

# SPECIFICATIONS

## Outside diameters of common cable sections\*

What is the diameter of a NYY 4 x 6? Does it still fit into a M25 cable clamp or do you need a 32? The following tables will assist you in selecting the correct sizes.

CABLE SECTION [mm <sup>2</sup> ]	NYM	NYY	H07RN-F
	CABLE DIAMETER IN mm		

1 x 10	8.4-9.5	10.0-10.5	–
1 x 16	9.9-11	11-12	–
1 x 25	–	13-14	–
1 x 35	–	14-15	–
3 x 1.5	9.1-10.5	12.0-12.5	8.0-10.4
3 x 2.5	10.4-11	13	9.6-12.4
3 x 4	11.9-13	15-16	12.7-16.2
3 x 6	13.4-15	16-17	14.1-18.0
3 x 10	–	18-19	19.1-24.2
4 x 1.5	9.8-11	13.0-13.5	9.0-11.6
4 x 2.5	11.3-12.5	14.0-14.5	10.7-13.8
4 x 4	13.8-14.5	16.0-17.5	14.0-17.9
4 x 6	15.1-16.5	17-18	15.7-20.0
4 x 10	17.9-18.5	19-20	20.9-26.5
4 x 16	22.0-23.5	22-23	23.8-30.1
4 x 25	26.9-28.5	28	28.9-36.6
4 x 35	–	26-30	32.5-41.1
4 x 50	–	30-35	37.7-47.5
4 x 70	–	34-40	42.7-54.0
5 x 1.5	10.8-12	14-15	9.8-12.7
5 x 2.5	12.2-13.5	15-16	11.9-15.3
5 x 4	14.9-15.5	16.5-17	15.6-16.9
5 x 6	16.3-18	19	17.5-22.2
5 x 10	19.5-20	21	22.9-29.1
5 x 16	24.4-26	24	26.4-33.3
5 x 25	29.4-31.5	–	32.0-40.4
7 x 1.5	11.5-13	15-16	14.0-17.5
7 x 2.5	13.1-14.5	16.0-16.5	16.5-20.0

Cable and Conduit Abbreviations  
 NYM Sheathed Cable  
 NYY Cable with plastic sheath  
 H07RN-F Rubber-sheathed cable





# SPECIFICATIONS

## Cable Clamp Selection Table\*

CABLE SECTION [mm <sup>2</sup> ]	NYM	NYY	H07RN-F
1 x 10	M16	M20	-
1 x 16	M20	M20	-
1 x 25	-	M20	-
1 x 35	-	M25	-
3 x 1.5	M20	M20	M16
3 x 2.5	M25	M20	M20
3 x 4	M25	M25	M25
3 x 6	M25	M25	M32
3 x 10	-	M32	M40
4 x 1.5	M20	M25	M25
4 x 2.5	M20	M25	M25
4 x 4	M25	M25	M32
4 x 6	M25	M32	M32
4 x 10	M32	M32	M40
4 x 16	M40	M40	M50
4 x 25	M50	M50	M63
4 x 35	-	M50	M63
4 x 50	-	M50	M63 *
4 x 70	-	M63	M63 *
5 x 1.5	M20	M25	M20
5 x 2.5	M25	M25	M25
5 x 4	M25	M32	M32
5 x 6	M32	M32	M32
5 x 10	M40	M40	M40
5 x 16	M40	M40	M50
5 x 25	M50	-	M63
7 x 1.5	M25	M25	M32
7 x 2.5	M25	M32	M32

\*) All values are averages (subject to change!)

## Clamping sites for metric cable clamps\*

Our wall-mounted distributor boxes feature grommets and plugs as standard. Of course we will also fit cable clamps on request.

SIZE	CABLE CLAMP CLAMPING AREA [mm]	GROMMETS INLET [mm]
M12	3.5-7	-
M16	4.5-10	5-10
M20	7-13	8-13.5
M25	9-17	9-16
M32	11-21	11-22
M40	19-28	17-34
M50	27-34.5	22-35
M63	34-45	24-43

### Grommets:

- For ordinary installations without special requirements
- Without strain relief
- IP54 Protection rating

### Cable Clamps:

- Integrated strain relief
- Large sealing and clamping area
- IP68 – 5 bar (30 min) Protection rating



# MOBILE SOCKET OUTLET COMBINATIONS MODULAR SYSTEM

**SINGLE SUPPLIER SOLUTIONS** We manufacture all the components for our Socket Outlet Combinations ourselves. This way we can guarantee the highest quality as well as flexible solutions through individually tailored combinations. You can find a planning template in the Downloads section of our website [www.abl.de](http://www.abl.de). Please direct any queries to [kombis@abl-sursum.com](mailto:kombis@abl-sursum.com) or call +49(0) 9123/188-126.

## MINIATURE CIRCUIT BREAKERS AND RESIDUAL CURRENT CIRCUIT BREAKERS



- Miniature Circuit Breakers
  - Switching capabilities 6/10 kA,
  - B, C, D, K and Z characteristics
- Residual Current Devices
  - Type A (pulsating current sensitive)
  - Type B (universal current sensitive)

## RAIL-MOUNTED DEVICES



- Switches, Buttons, Indicator Lights
- Mechanical and Electronic Relays and Remote Switches
- Grid Monitoring, Installation Contactors
- Timers
- Safety Transformers

## SCHUKO SOCKET OUTLETS



- Self-closing, hinged lid
- Range of protection ratings
- Shatter-proof thermoplastics
- Range of colors

## INTERNATIONAL STANDARD SOCKET OUTLETS



for Belgium, France, Czech Republic, Poland, Switzerland, USA, Canada, United Kingdom, China, Australia

## POWER CONNECTORS



- Range of voltages and protection ratings
- Feed plugs

# MOBILE SOCKET OUTLET COMBINATIONS



# THE 6 KEY ADVANTAGES

## OF OUR MOBILE SOCKET OUTLET COMBINATIONS

### 1 PLASTIC HOUSINGS



- housing made of thermoplastic
- Temperature and impact resistant
- Weather, UV and ozone resistant
- Free of halogens
- Outstanding tracking resistance
- Resistant to a wide range of chemicals

### 2 SOLID RUBBER HOUSING



- Unbreakable, impact resistant and long-lasting
- Free of halogens
- Low flammability and self-extinguishing
- Resistant to welding and other flying sparks
- Oil, grease, acid and gasoline resistant

### 3 POWER CUBES



Power supply from above for workshops and industrial work sites – offers shorter connecting distances to power/pneumatic tools. With CEE-/SCHUKO sockets, international standard outlets, data sockets, compressed air outlets etc. Power supply easily connected using the pre-installed clamping block.

## 4 PORTABLE SOCKET OUTLET BOXES



Your flexible solution for mobile applications. Range of housing materials and sizes. With practical handle for easy transport and relocation.

## 5 SOCKET OUTLET RAILS



Handy power distribution through small dimensions, robust rubber housing, flexible supply cable and SCHUKO or CEE sockets. Also available with Ground Fault Protection, external voltage detection and undervoltage release.

## 6 FREESTANDING POWER DISTRIBUTOR (RUBBER)



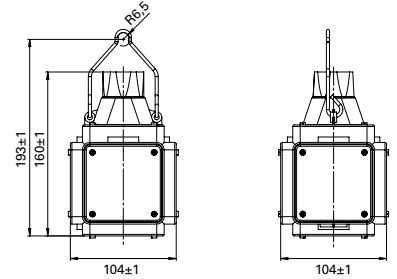
Heavy-duty, high-quality housing materials and a large base plate ensure stability and safety. The strong handle makes transport easy and stores the supply cable. Ground clearance to keep moisture out.

# MOBILE SOCKET OUTLET COMBINATIONS

Overview of sizes and dimensions

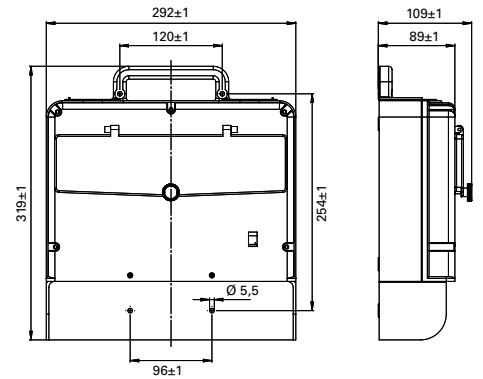
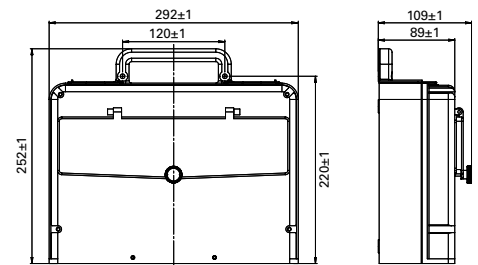
**SERIES  
30**

POWER CUBE



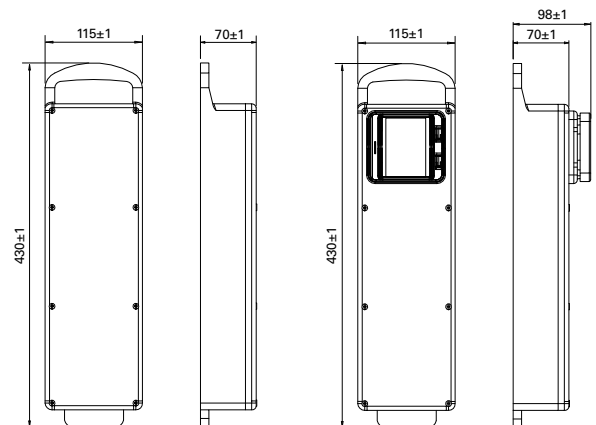
**SERIES  
45**

PLASTIC SOCKET  
OUTLET CASE



**SERIES  
48**

RUBBER  
SOCKET OUTLET  
RAIL

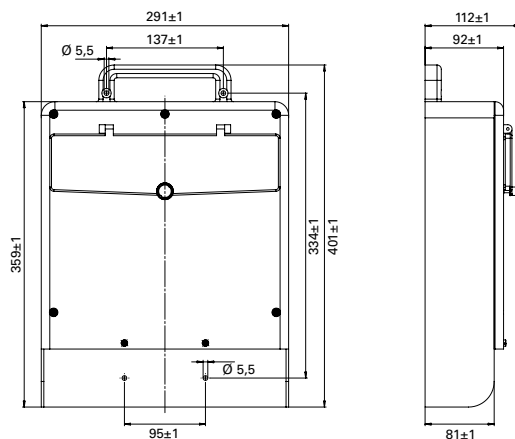


# MOBILE SOCKET OUTLET COMBINATIONS

Overview of sizes and dimensions

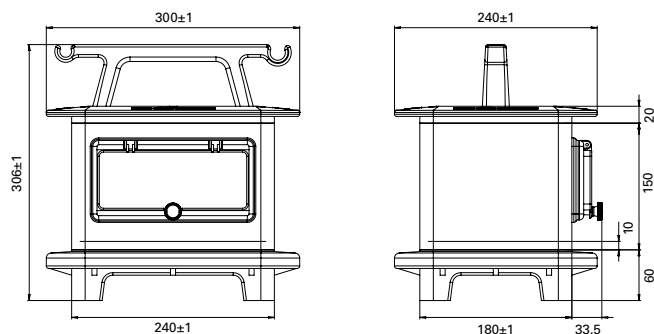
**SERIES**  
**58**

RUBBER SOCKET  
OUTLET CASE



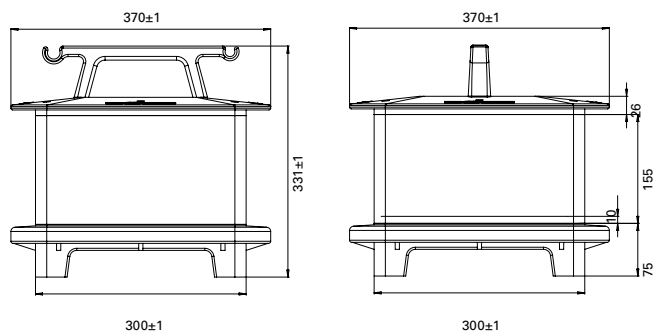
**SERIES**  
**68**

FREESTANDING  
POWER  
DISTRIBUTOR  
(RUBBER)



**SERIES**  
**78**

FREESTANDING  
POWER  
DISTRIBUTOR  
(RUBBER)



# POWER CUBE

**SERIES**  
**30**

## HOUSING SIZE

W x H x D 104 x 104 x 193 mm  
(incl. hanger, without attachments)

Additional Power Cubes with higher protection ratings, e.g. IP65 and/or with data sockets are available on request.



## HOUSING ONLY

Screwed cable inlet for cables 3 x 1,5 to 5 x 6 mm<sup>2</sup>  
max. 19 mm diameter

Cubes are fitted with strain relief and 5 x 6 mm<sup>2</sup> clamping block

**ITEM-NO. Z 30.10**

## Power Cube Combinations

	<b>Bottom side</b>	<b>Bottom side</b>	<b>Bottom side</b>	<b>Bottom side</b>	<b>Bottom side</b>
<b>Fitted with</b>					
<b>CEE Sockets</b>	3 x 5/16 A	3 x 3/16 A	1 x 3/16 A	1 x 5/16 A	
<b>SCHUKO Sockets</b>			3	3	
<b>Compressed Air Connector</b>					
<b>Item-No.</b>	<b>3E51.34</b>	<b>3E31.24</b>	<b>Z 30.01</b>	<b>Z 30.02</b>	

	<b>Bottom side</b>	<b>Bottom side</b>
<b>Fitted with</b>		
<b>CEE Sockets</b>	1 x 5/16 A	2 x 5/16 A
<b>SCHUKO Sockets</b>	4	2
<b>Compressed Air Connector</b>		
<b>Item-No.</b>	<b>Z 30.05</b>	<b>Z 30.06</b>



# POWER CUBE

pressure tightness by client on site

SERIES  
30



**COVER PANEL WITH HOOK**  
for Power Cube

ITEM-NO. 8899749



**COVER PANEL**  
for Power Cube

ITEM-NO. 8899759



**ADAPTER PANEL**  
for Power Cube

ITEM-NO. 8899779



**COMPRESSED AIR CONNECTOR**

mounted on cover panel -  
1/2" inlet and 2 x 1/2" outlets  
ITEM-NO. ZDL304

## Power Cube Combinations

	<p>Bottom side</p>	<p>Bottom side</p>	<p>Bottom side</p>	<p>Bottom side</p>
<b>Fitted with</b>				
<b>CEE Sockets</b>				1 x 5/16 A
<b>SCHUKO Sockets</b>	3	4	5	3
<b>Compressed Air Connector</b>				1/2" inlet and 2 x 1/2" outlets
<b>Item-No.</b>	<b>3E 1561</b>	<b>4E 1561</b>	<b>5E 1561</b>	<b>ZL30.02</b>

	<p>Bottom side Cube 1</p> <p>Bottom side Cube 2</p>
<b>Fitted with</b>	
<b>CEE Sockets</b>	1 x 5/32 A 1 x 5/16 A
<b>SCHUKO Sockets</b>	3
<b>Ethernet Sockets</b>	
<b>Item-No.</b>	<b>ZT30.08</b>
<b>Note:</b>	<b>For twin supply cables</b>

# PLASTIC SOCKET OUTLET CASE

**SERIES**  
**45**

**BOX SIZE**

W x H x D 292 x 294 x 109 mm  
(without additions)

Fitted with the standard combination or a configuration tailored to your specific requirements

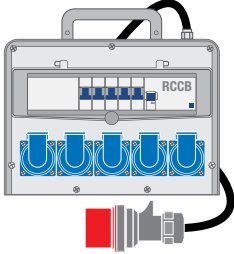
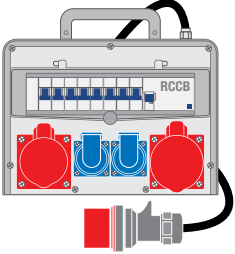


**HOUSING ONLY**

With mounting rail for 13 HP

**ITEM-NO. B 45.03**

**Portable Socket Outlet Box Combinations**

		
<b>Fitted with</b>		
<b>CEE Sockets</b>		1 x 5/32 A 1 x 5/16 A
<b>SCHUKO Sockets</b>	5	2
<b>FI Switch (RCCB)</b>	1 x 4/40/0.03 A	1 x 4/40/0.03 A
<b>LS Switch/Fuse</b>	5 x 16 A, 1-pole B	1 x 32 A, 3-pole C 1 x 16 A, 3-pole C 2 x 16 A, 1-pole B
<b>Supply Cable</b>	2 m H07RN-F 5x2.5mm <sup>2</sup> with CEE Plug 5/16 A	2 m H07RN-F 5x6mm <sup>2</sup> with CEE Plug 5/32 A
<b>Item-No.</b>	<b>Z 45.11</b>	<b>Z 45.12</b>

# PLASTIC SOCKET OUTLET CASE

**SERIES**  
**45**

**BOX SIZE**

W x H x D 292 x 318 x 109 mm  
(without additions)

Fitted with the standard combination or a configuration tailored to your specific requirements



**HOUSING ONLY**

With apron and mounting rail for 13 HP

For CEE Feed Plug 5/16 A

**ITEM-NO. B 45.01**

For CEE Feed Plug 5/32 A

**ITEM-NO. B 45.02**

**Portable Socket Outlet Box Combinations**

<b>Fitted with</b>		
<b>CEE Sockets</b>	2 x 5/16 A + 1 x 3/16 A	1 x 5/32 A + 1 x 5/16 A
<b>SCHUKO Sockets</b>	4	3
<b>FI Switch (RCCB)</b>	1 x 4/40/0.03 A	1 x 4/40/0.03 A
<b>LS Switch/Fuse</b>	2 x 16 A, 3-pole C 1 x 16 A, 1-pole C 2 x 16 A, 1-pole B	1 x 32 A, 3-pole C 1 x 16 A, 3-pole C 3 x 16 A, 1-pole B
<b>Supply Cable</b>	2 m H07RN-F 5x2.5mm <sup>2</sup> with CEE Plug 5/16 A	2 m H07RN-F 5x6mm <sup>2</sup> with CEE Plug 5/32 A
<b>Item-No.</b>	<b>Z 45.15</b>	<b>Z 45.16</b>

# RUBBER SOCKET OUTLET RAIL

**SERIES**  
**48**



## HOUSING ONLY

with window and mounting rail  
for 4 HP

**ITEM-NO. B 48.01**

Without window

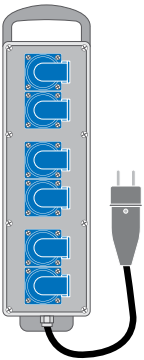
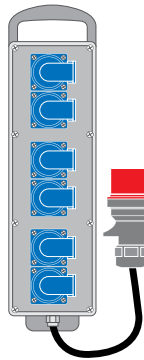
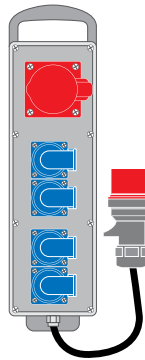
**ITEM-NO. B 48.00**

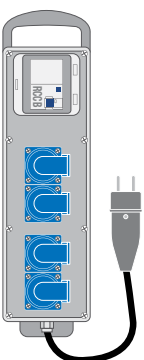

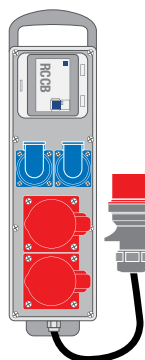
## HOUSING SIZE

W x H x D 115 x 430 x 70 mm  
(without additions)

Fitted with the standard combination or a configuration tailored to your specific requirements

## Socket Outlet Rail (Rubber) Combinations

			
<b>Fitted with</b>			
<b>CEE Sockets</b>			1 x 5/16 A
<b>SCHUKO Sockets</b>	6	6	4
<b>FI Switch (RCCB)</b>			
<b>LS Switch/Fuse</b>			
<b>Supply Cable</b>	2 m H07RN-F 3x2.5mm <sup>2</sup> with Rubber SCHUKO Plug	2 m H07RN-F 5x2.5mm <sup>2</sup> with CEE Plug 5/16 A	2 m H07RN-F 5x2.5mm <sup>2</sup> with CEE Plug 5/16 A
<b>Item-No.</b>	<b>Z 48.10</b>	<b>Z 48.00</b>	<b>Z 48.20</b>

			
<b>Fitted with</b>			
<b>CEE Sockets</b>	4	3	2
<b>SCHUKO Sockets</b>	1 x 2/25/0.03 A	1 x 4/40/0.03 A	1 x 4/40/0.03 A
<b>FI Switch (RCCB)</b>			
<b>LS Switch/Fuse</b>	2 m H07RN-F 3x2.5mm <sup>2</sup> with Rubber SCHUKO Plug	2 m H07RN-F 5x2.5mm <sup>2</sup> with CEE Plug 5/16 A	2 m H07RN-F 5x2.5mm <sup>2</sup> with CEE Plug 5/16 A
<b>Supply Cable</b>	<b>Z 48.30</b>	<b>Z 48.31</b>	<b>Z 48.11</b>
<b>Item-No.</b>			

# SOCKET OUTLET RAIL (RUBBER) PRCD-S

PRCD-S = Portable Residual Current Device – Switched PE

## THE SAFETY POWER STRIP DETECTS FAULTS ON THE SUPPLY SIDE:

- L or N conductor interrupted / not connected
- L and PE conductors switched
- PE conductor interrupted / not connected
- PE conductor interrupted during operation
- PE conductor carries dangerous voltage
- Undervoltage



**COMPULSORY FOR ALL MINOR  
CONSTRUCTION SITES!  
(GERMAN CONSTRUCTION INDUSTRY  
ASSOCIATION REGULATION BGI 608)**



**Socket Outlet Rail**  
**ItemNo. B480119**  
(PRCD-S 1-phase, 16 A)



- 1x FI switch 25 A;
- 2-pole; 0,03 A; type A
- 1x Ground detecting device SLU1P
- 4x SCHUKO-sockets 16 A; 250 V blue,
- acc. to VDE 0620-1
- Supply Cable: 2m H07RN-F 3x2,5mm<sup>2</sup>  
with SCHUKO rubber plug
- sockets mounted on top
- stock item



**Rubber Distribution Unit**  
**ItemNo. B780119**  
(PRCD-S 3-phase, 16 A)

- 1x FI-switch 25 A; 4-pole; 0,03 A; type A
- 1x Ground detecting device SLU3P
- 6x SCHUKO-sockets 16 A; 250 V blue,
- acc. to VDE 0620-1
- 2x CEE-sockets 16 A; 5-pole; 400 V 6h red
- Suppla cable: 2m H07RN-F 5x2,5mm<sup>2</sup>  
with plug CEE 5/16 A



**Rubber Distribution Unit**  
**ItemNo. B780120**  
(PRCD-S 3phase, 32 A)

- 1x FI-switch 40 A; 4-pole; 0,03 A; type A
- 1x Ground detecting device SLU3P
- 4x SCHUKO-sockets 16 A; 250 V blue,
- acc. to VDE 0620-1
- 2x LS-switch 16 A; 1-pole; B
- 1x CEE-socket 16 A; 5-pole; 400 V 6h red
- 1x LS-switch 16 A; 3-pole; C
- 1x CEE-socket 32A; 5-pole; 400 V 6h red
- Supply cable: 2m H07RN-F 5x6mm<sup>2</sup>  
with plug CEE 5/32A

# RUBBER SOCKET OUTLET CASE

**SERIES**  
**58**

**BOX SIZE**

W x H x D 292 x 359 x 112 mm  
(without additions)

Fitted with the standard combination or a configuration tailored to your specific requirements



**HOUSING ONLY**

With mounting rail for 13 HP

For CEE Feed Plug 5/16 A

**ITEM-NO. B 58.01**

For CEE Feed Plug 5/32 A

**ITEM-NO. B 58.02**

**Socket Outlet Case (Rubber) Combinations**

<b>Fitted with</b>				
<b>CEE Sockets</b>	2 x 5/16 A 1 x 3/16 A	1 x 5/16 A	1 x 5/32 A 1 x 5/16 A	1 x 5/32 A + 2 x 5/16 A 1 x 3/16 A
<b>SCHUKO Sockets</b>	5	6	6	5
<b>FI Switch (RCCB)</b>	1 x 4/25/0.03 A	1 x 4/25/0.03 A	1 x 4/40/0.03 A	1 x 4/40/0.03 A
<b>LS Switch/Fuse</b>	1 x 16 A, 3-pole C 3 x 16 A, 1-pole C	1 x 16 A, 3-pole C 3 x 16 A, 1-pole C	1 x 16 A, 3-pole C 6 x 16 A, 1-pole B	1 x 32 A, 3-pole C 1 x 16 A, 3-pole C 3 x 16 A, 1-pole C
<b>Supply Cable</b>	2 m H07RN-F 5x2.5mm <sup>2</sup> with CEE Plug 5/16 A	2 m H07RN-F 5x2.5mm <sup>2</sup> with CEE Plug 5/16 A	2 m H07RN-F 5x6mm <sup>2</sup> with CEE Plug 5/32 A	2 m H07RN-F 5x6mm <sup>2</sup> with CEE Plug 5/32 A
<b>Item-No.</b>	<b>Z 58.12</b>	<b>Z 58.16</b>	<b>Z 58.18</b>	<b>Z 58.17</b>

<b>Fitted with</b>			
<b>CEE Sockets</b>	2 x 5/16 A	1 x 5/32 A 1 x 5/16 A	1 x 5/32 A 3 x 5/16 A
<b>SCHUKO Sockets</b>	6	6	3
<b>FI Switch (RCCB)</b>	1 x 4/25/0.03 A	1 x 4/40/0.03 A	
<b>LS Switch/Fuse</b>	1 x 16 A, 3-pole C 3 x 16 A, 1-pole B	1 x 16 A, 3-pole C 3 x 16 A, 1-pole B	3 x 16 A, 3-pole C 3 x 16 A, 1-pole B
<b>Supply Cable</b>			
<b>Power Supply</b>	Appliance Plug 5/16 A	Appliance Plug 5/32 A	Appliance Plug 5/32 A
<b>Item-No.</b>	<b>Z 58.72</b>	<b>Z 58.48</b>	<b>Z 58.74</b>

# FREESTANDING POWER DISTRIBUTOR (RUBBER)

**SERIES**  
**68**

## HOUSING DIMENSIONS

W x H x D 300 x 306 x 240 mm  
(without additions)

Fitted with the standard combination or a configuration tailored to your specific requirements

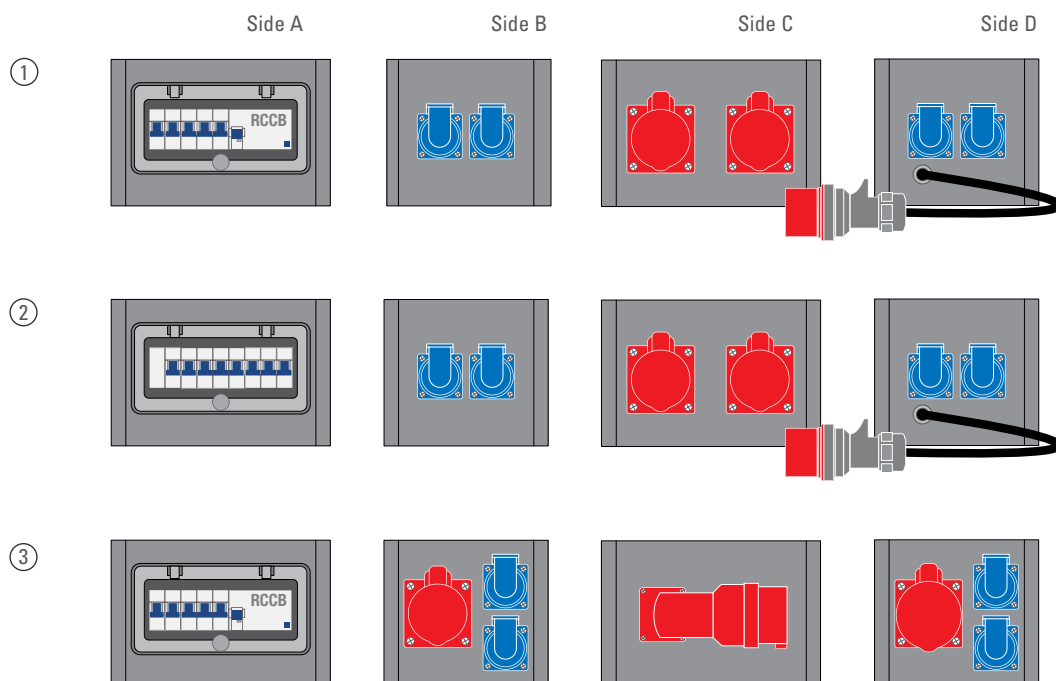


## HOUSING ONLY

with window and mounting rail for 9 HP

black  
**ITEM-NO. B 68.01**

black, without window  
**ITEM-NO. B 68.00**



## Freestanding Power Distributor (Rubber) Combinations

Fitted with	①	②	③
<b>CEE Sockets</b>	2 x 5/16 A	2 x 5/16 A	1 x 5/16 A + 1 x 5/32 A
<b>SCHUKO Sockets</b>	4	4	4
<b>FI Switch (RCCB)</b>	1 x 4/40/0.03 A		1 x 4/40/0.03 A
<b>LS Switch/Fuse</b>	1 x 16 A, 3-pole C 2 x 16 A, 1-pole B	2 x 16 A, 3-pole C 2 x 16 A, 1-pole B	1 x 16 A, 3-pole C 2 x 16 A, 1-pole B
<b>Supply Cable</b>	2 m H07RN-F 5x2.5mm <sup>2</sup> with CEE Plug 5/16 A	2 m H07RN-F 5x6mm <sup>2</sup> with CEE Plug 5/32 A	
<b>Power Supply</b>			Appliance Plug 5/32 A
<b>Item-No. black</b>	<b>Z 68.35</b>	<b>Z 68.16</b>	<b>Z 68.42</b>

# FREESTANDING POWER DISTRIBUTORS (RUBBER)

**SERIES**  
**78**

## HOUSING DIMENSIONS

W x H x D 370 x 331 x 370 mm  
(without additions)

Fitted with the standard combination or a configuration tailored to your specific requirements

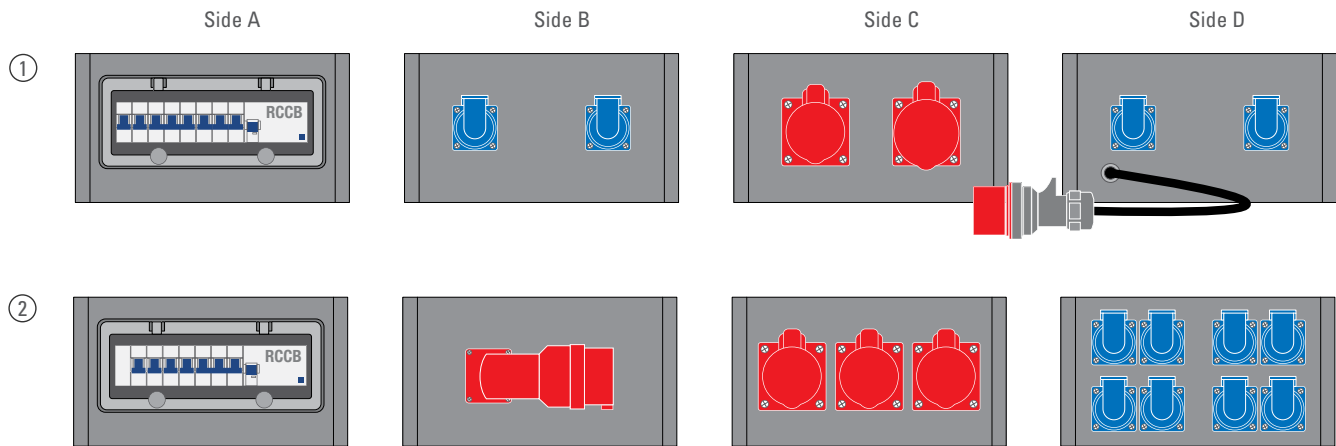


## HOUSING ONLY

with window and mounting rail for 12 HP

black  
**ITEM-NO. B 78.01**

black, without window  
**ITEM-NO. B 78.00**



## Freestanding Power Distributor (Rubber) Combinations

Fitted with	①	②
CEE Sockets	1 x 5/16 A + 1 x 5/32 A	2 x 5/16 A + 1 x 5/32 A
SCHUKO Sockets	4	8
FI Switch (RCCB)	1 x 4/40/0.03 A	1 x 4/40/0.03 A
LS Switch/Fuse	1 x 32 A, 3-pole C 1 x 16 A, 3-pole C 2 x 16 A, 1-pole B	1 x 16 A, 3-pole C 4 x 16 A, 1-pole B
Supply Cable	2 m H07RN-F 5x6mm <sup>2</sup> with CEE Plug 5/32 A	
Power Supply	Appliance Plug 5/32 A	
Item-No. black	<b>Z 78.16</b>	<b>Z 78.46</b>



# ITEM NUMBER DIRECTORY

ITEM NR.	PAGE
3E 1561	41
3E31.24	40
3E51.34	40
4E 1561	41
5E 1561	41
8899749	41
8899759	41
8899779	41
B 45.00	12
B 45.01	43
B 45.02	43
B 45.03	42
B 45.04	13
B 48.00	45
B 48.01	45
B 51.00	13
B 52.00	14
B 52.00	15
B 52.01	14
B 52.01	15
B 54.00	16
B 54.00	17
B 54.01	16
B 54.01	17
B 58.01	47
B 58.02	47
B 59.01	18
B 59.01	19
B 59.03	18
B 59.03	19
B 60.00	20
B 60.01	22
B 60.01	23
B 60.01	24
B 60.02	20
B 60.03	22
B 60.03	23
B 60.03	24
B 60.04	21
B 68.00	48
B 68.01	48
B 78.00	49
B 78.01	49
B 88.00	26
B 88.01	26
C31S101	28
C31S102	29
C31S151	28
C31S152	29
C31S201	28
C31S202	29
C31S251	28
C31S252	29
C31S301	28
C31S302	29
C31S351	28

ITEM NR.	PAGE
C31S352	29
C31S501	28
C31S502	29
C31S551	28
C31S552	29
C32S101	28
C32S102	29
C32S151	28
C32S152	29
C32S201	28
C32S202	29
C32S251	28
C32S252	29
C32S301	28
C32S302	29
C32S351	28
C32S352	29
C32S501	28
C32S502	29
C32S551	28
C32S552	29
C33S155	30
C33S255	30
C33S355	30
C33S555	30
C41S101	28
C41S102	29
C41S151	28
C41S152	29
C41S201	28
C41S202	29
C41S251	28
C41S252	29
C41S301	28
C41S302	29
C41S351	28
C41S352	29
C41S401	28
C41S402	29
C41S451	28
C41S452	29
C41S501	28
C41S502	29
C41S551	28
C41S552	29
C42S101	28
C42S102	29
C42S151	28
C42S152	29
C42S201	28
C42S202	29
C42S251	28
C42S252	29
C42S301	28
C42S302	29
C42S351	28

ITEM NR.	PAGE
C42S352	29
C42S401	28
C42S402	29
C42S451	28
C42S452	29
C42S501	28
C42S502	29
C42S551	28
C42S552	29
C43S155	30
C43S255	30
C43S355	30
C43S455	30
C43S555	30
C44S355	30
C51S101	28
C51S102	29
C51S151	28
C51S152	29
C51S201	28
C51S202	29
C51S251	28
C51S252	29
C51S301	28
C51S302	29
C51S351	28
C51S352	29
C51S501	28
C51S502	29
C51S551	28
C51S552	29
C52S101	28
C52S102	29
C52S151	28
C52S152	29
C52S201	28
C52S202	29
C52S251	28
C52S252	29
C52S301	28
C52S302	29
C52S351	28
C52S352	29
C52S501	28
C52S502	29
C52S551	28
C52S552	29
C53S155	30
C53S255	30
C53S355	30
C53S555	30
C54S355	30
STS5460	25
WSD54	25
WSD60	25
Z 30.01	40

# ITEM NUMBER DIRECTORY

ITEM NR.	PAGE
Z 30.02	40
Z 30.05	40
Z 30.06	40
Z 30.10	40
Z 45.01	13
Z 45.03	13
Z 45.04	13
Z 45.05	12
Z 45.06	12
Z 45.07	12
Z 45.08	12
Z 45.10	12
Z 45.11	42
Z 45.12	42
Z 45.15	43
Z 45.16	43
Z 45.17	12
Z 48.00	45
Z 48.10	45
Z 48.11	45
Z 48.20	45
Z 48.30	45
Z 48.31	45
Z 51.01	13
Z 52.02	14
Z 52.03	15
Z 52.07	14
Z 52.09	15
Z 52.10	15
Z 52.11	14
Z 52.13	15
Z 52.22	14
Z 52.24	15
Z 52.25	15
Z 52.26	15
Z 52.27	14
Z 52.32	14
Z 52.34	14
Z 52.37	14
Z 54.11	16
Z 54.14	16
Z 54.15	17
Z 54.20	16
Z 54.21	16
Z 54.22	17
Z 54.32	17
Z 54.33	16
Z 54.34	16
Z 54.36	17
Z 54.66	17
Z 54.67	17
Z 54.69	17
Z 57.36	31
Z 58.12	47
Z 58.16	47
Z 58.17	47

ITEM NR.	PAGE
Z 58.18	47
Z 58.48	47
Z 58.72	47
Z 58.74	47
Z 59.02	18
Z 59.05	18
Z 59.06	18
Z 59.07	19
Z 59.08	19
Z 59.16	18
Z 59.25	18
Z 59.26	18
Z 59.32	19
Z 59.36	18
Z 60.01	23
Z 60.02	22
Z 60.03	22
Z 60.04	22
Z 60.06	24
Z 60.10	22
Z 60.14	23
Z 60.15	23
Z 60.16	23
Z 60.22	20
Z 60.23	20
Z 60.27	21
Z 60.30	20
Z 60.31	20
Z 60.32	23
Z 60.34	22
Z 60.36	23
Z 60.37	22
Z 60.38	21
Z 60.42	22
Z 60.44	23
Z 60.47	22
Z 60.66	24
Z 68.16	48
Z 68.35	48
Z 68.42	48
Z 78.16	49
Z 78.46	49
Z 88.01	26
Z 88.02	26
ZDL304	41
ZL30.02	41
ZT30.08	41





ABL SURSUM  
Bayerische Elektrozubehör GmbH & Co. KG

Ottensooser Straße 22  
D-91207 Lauf / Pegnitz

PO Box 10 02 47  
D-91192 Lauf / Pegnitz

Tel. +49 (0) 9123 188-0  
Fax +49 (0) 9123 188-188

[info@abl-sursum.com](mailto:info@abl-sursum.com)  
[www.abl-sursum.com](http://www.abl-sursum.com)

0000004  
03.2016