

Catalogue Overview 25

AC/DC & DC/DC Converters

AC/DC & DC/DC LED Drivers

EMC Filters & AC Adapters



Medical



Industrial



Lighting



Transportation



Renewable Energy



IoT



The Aimtec brand is associated with quality, value and service. Headquartered in Canada with offices in Europe and Asia, Aimtec is actively involved in the research and development of modular switching power supplies. Aimtec's designs assist customers worldwide in reducing engineering design time and expense, while facilitating miniaturization and performance enhancement of their applications.



Aimtec Offers a Wide Range of Package Types

SMD



SMD : 1/4W, 1W, 2W



SMD : 1W



SMD open frame : 1W, 2W, 3W



SMD : 1.5W, 2W, 3W

SIP



SIP3 : 5W, 7W, 12W



SIP4: 1/4W, 1/2W, 1W, 2W



SIP6 : 1W, 3W



SIP7 : 1W, 2W, 3W



SIP8 : 1W, 2W, 3W, 6W, 9W, 10W



SIP9: 2W, 3W



SIP10: 3W

DIP



DIP8 : 1W, 3W



DIP14 : 1W, 2W



DIP14 : 1W



DIP16 : 2W, 6W



DIP24 : 3W, 4W, 5W, 6W, 8W, 10W, 12W, 15W

OTHER TYPES



1" x 1" : 6W, 10W, 15W, 20W, 30W



2" x 1" : 10W, 15W, 20W, 30W, 40W, 50W, 60W



2" x 1.6" : 30W

Non-standard:
1.08" x 0.70" x 0.28", 2W
1.37" x 0.90" x 0.28", 3W
1.75" x 1.10" x 0.28", 6W
1.33" x 0.71" x 1.25", 6W

2" x 2" : 40W, 60W

Heat sink option:
15W, 20W, 30W, 40W, 60W

Quarter Brick: 50W, 75W, 100W, 150W, 200W



Half Brick: 150W

AC/DC



Encapsulated: 1W, 2W, 3W, 5W, 10W, 15W, 20W, 25W, 30W, 40W, 60W



Open Frame: 1W, 3W, 5W, 45W



Enclosed: 15W, 30W, 40W



Open Frame: 1W, 3W, 5W, 10W, 30W, 40W

Mounting plate
5W, 10W, 15W, 20W, 25W, 40W, 60W

LED DRIVERS

SMD
AMLDV-NZDIP14, DIP16
AMLDL-Z, AMLDL-RZDIP16
AMLDLW-Z
Wire connectionsDIP24
AML-DZ
AMLDW_RZIP68
AME(P)Rxx-(C)AZ
AME(P)R-ZIP67, IP20
AMEPRxxD-AZ
AME(P)R-ZIP67
AMEPR5/8-AZ

1

Aimtec is now launching a brand new product segment: AC adapters, composed of wall mount and desktop variations!

2

Aimtec has launched the Aimtec Academy, the best place to learn more about the power supply industry as well as Aimtec new models.

3

Aimtec offers new higher MPQs for selected series to reduce lead time and improve cost effectiveness.

4

Aimtec is launching a collection of product training videos to help our customers better understand our product's capabilities.

5

Aimtec is launching its new enclosed High Power AC/DC Eagle Series ranging from 35 to 350W.

6

Aimtec now offers EMC filters designed to offer the best EMC compliance and help get your design to market faster.

7

Aimtec will be expanding its SMD product offerings to higher power ranges to accommodate increasing market demand.

Table of Contents

- DC/DC Converters** **6**
- Switching Regulators** **16**
- AC/DC Converters** **18**
- LED Drivers** **28**
- EMC Filters** **34**
- AC Adapters** **36**



DC/DC Converters (isolated)



One of the industry's largest and most complete product offering of 1 to 3 Watt converters **just got LARGER!**

Over 7700 models overall (4000+ between 1 ~ 3 watt)

Output power: ¼ W ~ 250W (SMD from ¼W to 3W)

Input range: Up to 1500VDC ($\pm 10\%$, 2:1, 4:1, up to 10:1)

Input / Output isolation: 1000 ~ 6000VDC, up to 5000VAC

Industrial operating temperature range: -40 °C cold start up to 125 °C

Industry standard pin configurations

Wide assorted packages: SIP, DIP, SMD, 1x1", 2x1", 2x1.6", 2x2", 1/8th Brick, Quarter Brick, Half Brick



DIP8 DC/DC Converter



8:1 Input Voltage Range

DC/DC converters



AM1/4S-Z SIP4



AM1A-Z SIP6



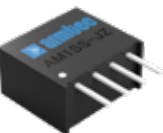
AM1G-Z SIP8



AM1LS-NZ SMD



AM1PS-Z DIP8



AM1SS-JZ

1/4 Watt

SERIES	INPUT (VDC)	SINGLE OUTPUT (VDC)	DUAL OUTPUT (VDC)	DUAL SEPARATED OUTPUT (VDC)	ISOLATION (VDC)	CASE	SAFETY
AM1/4LS-NZ	3.3, 5, 12, 24	3.3, 5, 9, 12	--	--	1.5K, 3K	SMD	--
AM1/4S-Z	5, 12, 15, 24, 48	3.3, 5, 7.2, 9, 12, 15, 18, 24	--	--	1K, 3K	SIP4	CE
AM1/4SS-NZ	3, 5, 12, 15, 24	3.3, 5, 9, 12	--	--	1.5K	SIP4	--

1/2 Watt

AM1/2S-Z	3, 5, 12, 15, 24, 48	3.3, 5, 7.2, 9, 12, 15, 18, 24	--	--	1.5K	SIP4	--
----------	----------------------	--------------------------------	----	----	------	------	----

1 Watt

AM1A-Z	4.5-9, 9-18, 18-36, 36-75	5, 12, 15, 24	±12, ±15	--	1.5K	SIP6	CE
AM1D-Z	3.3, 5, 12, 15, 24, 48	3.3, 5, 7.2, 9, 12, 15, 18, 24	±3.3, ±5, ±7.2, ±9, ±12, ±15, ±18, ±24	3.3/3.3, 5/5, 7.2/7.2, 9/9, 12/12, 15/15, 18/18, 24/24	1K, 3K, 4K, 5.2K, 6K	SIP7	CE, UL
AM1D-RZ	5, 12, 15, 24, 48	5, 9, 12, 15	±5, ±9, ±12, ±15	--	1K, 3K	SIP7	CE
AM1D-NZ	5, 12, 24	5, 9, 12, 15	±5, ±9, ±12, ±15	--	1K, 3K, 6K	SIP7	CE, UL
AM1DC-Z	5, 9, 12, 15, 24	3.3, 5, 9, 12, 15	±3.3, ±5, ±9, ±12, ±15, ±15/-9	--	6K	SIP7	CE
AM1DE-Z	5, 12, 24	5, 12, 15	±5, ±12, ±15	--	1.5K, 3K	SIP7	CE
AM1DG-NZ	15	9	--	--	3K VAC	SIP7	CE, UL
AM1DM-NZ	3.3, 5, 12, 24	3.3, 5, 12, 15	±5, ±9, ±12, ±15	--	6K	SIP7	
AM1DR-Z	5, 12, 24	3.3, 5, 7.2, 9, 12, 15	--	--	1K, 3K	SIP7	CE
AM1DR-RZ	5, 12, 24	3.3, 5, 7.2, 9, 12, 15	--	--	1K	SIP7	CE
AM1DR-NZ	5, 12, 24	5, 12, 15, 24	--	--	1K, 3K	SIP7	--
NEW AM1DR-JZ	5, 12, 24	3.3, 5, 12, 15, 24	--	--	1.5k, 3k	SIP7	CE
AM1DS-Z	5, 12, 24	5, 7.2, 9, 12, 15, 18, 24	±5, ±7.2, ±9, ±12, ±15	--	1K, 3K, 4K, 5.2K, 6K	SIP7	--
AM1DS-NZ	3.3, 5, 12, 15, 24	3.3, 5, 9, 12, 15, 24	±5, ±9, ±12, ±15, ±24	--	1.5K, 3K	SIP7	CE, UL
NEW AM1DS-JZ	3.3, 5, 12, 15, 24	3.3, 5, 9, 12, 15, 24	±5, ±9, ±12, ±15, ±24	--	1.5K, 3K	SIP7	CE, UL
AM1DU-Z	4.5-9, 9-18, 18-36	5, 12	--	--	1.5K, 3K	SIP7	--
AM1G-Z	4.5-9, 9-18, 18-36, 36-72	3.3, 5, 7.2, 9, 12, 15, 18, 24	±3.3, ±5, ±7.2, ±9, ±12, ±15, ±18, ±24	--	1K, 3K	SIP8	CE
AM1G-NZ	4.5-9, 9-18, 18-36, 36-75	3.3, 5, 9, 12, 15, 24	±5, ±9, ±12, ±15	--	1.5K, 3K	SIP8	--

1 Watt (con't)

SERIES	INPUT (VDC)	SINGLE OUTPUT (VDC)	DUAL OUTPUT (VDC)	DUAL SEPARATED OUTPUT (VDC)	ISOLATION (VDC)	CASE	SAFETY
NEW AM1GU-JZ	12	5, 9, 12, 15	±5, ±12, ±15		3K	SIP8	CE
AM1L-NZ	3.3, 5, 12, 24	3.3, 5, 9, 12, 15, 24	±5,±9, ±12, ±15	5/5, 12/12, 15/15	1K, 3K	SMD	CE, UL
AM1LE-NZ	5	5	--	--	3.5K	SMD	--
AM1LO	3, 5	3.3, 5	±3.3, ±5	--	4.2K	SMD	--
AM1LR-NZ	5, 12, 24	3.3, 5, 12, 15	--	--	1K, 3K	SMD	--
AM1LR-JZ	5	3.3, 5, 12, 15	--	--	3K	SMD	--
AM1LS-N(J)Z	3.3, 5, 12, 15, 24	3.3, 5, 9, 12, 15, 24	±5,±9, ±12, ±15, ±24	--	1.5K, 3K	SMD	--
NEW AM1LS-JZ	5, 12, 15, 24	3.3, 5, 9, 12, 15, 24	±5,±9, ±12, ±15, ±24	--	1.5K, 3K	SMD	CE
AM1LS-VZ	5	3.3, 5, 9, 12, 15, 24	±3.3, ±5,±9, ±12, ±15, ±24	--	1.5K, 3K	SMD	--
AM1LS-XZ	5	5	--	--	1.5K	SMD	CE
AM1LT-NZ	5, 12	5, 12, 15	--	--	1.5K, 3K	SMD	--
AM1M-NZ	3.3, 5, 12, 15, 24	3.3, 5, 12, 15	±5,±9, ±12, ±15, ±24		1.5K, 3K	DIP14	--
AM1MR-Z	5, 12, 24	3.3, 5, 7.2, 9, 12, 15	--	--	1K	DIP14	CE
AM1P-Z	3.3, 5, 12, 24, 48	3.3, 5, 7.2, 9, 12, 15, 18, 24	±3.3, ±5, ±7.2, ±9, ±12, ±15, ±18, ±24	3.3/3.3, 5/5, 7.2/7.2, 9/9, 12/12, 15/15, 18/18, 24/24	1K, 3K	DIP8	CE
AM1PS-Z	5	3.3, 5, 9, 12, 15, 24	--	--	3K	DIP8	--
AM1PS-NZ	3.3, 5, 12, 15, 24	3.3, 5, 9, 12, 15, 24	--	--	1.5K	DIP8	CE, UL
AM1PS-JZ	3.3, 5, 12, 15, 24	3.3, 5, 9, 12, 15, 24	--	--	1.5K	DIP8	CE, UL
AM1S-Z	3.3, 5, 12, 24, 48	3.3, 5, 7.2, 9, 12, 15, 18, 24	--	--	1K, 3K	SIP4	CE
AM1SS-Z	5, 12, 24	5, 12, 15	--	--	1K, 3K	SIP4	--
AM1SS-NZ	3.3, 5, 12, 15, 24	3.3, 5, 9, 12, 15, 24	--	--	1.5K	SIP4	CE, UL
NEW AM1SR-JZ	5, 12, 24	3.3, 5, 9, 12, 15	--	--	1.5K	SIP4	CE



AM1N-NZ DIP24



AM2B-NZ DIP16



IoT: one of Aimtec's target applications

2 Watt



AM2LV-NZ SMD



AM2N-NZ DIP24



AM2Q-Z 1"x0.7"



AM2D-RZ SIP7

NEW

NEW

NEW

SERIES	INPUT (VDC)	SINGLE OUTPUT (VDC)	DUAL OUTPUT (VDC)	DUAL SEPARATED OUTPUT (VDC)	ISOLATION (VDC)	CASE	SAFETY
AM2D-Z	5, 12, 24, 48	3.3, 5, 7.2, 9, 12, 15, 18, 24	$\pm 3.3, \pm 5, \pm 7.2, \pm 9, \pm 12, \pm 15, \pm 18, \pm 24$	3.3/3.3, 5/5, 7.2/7.2, 9/9, 12/12, 15/15, 18/18, 24/24	1K, 3K, 4K, 5.2K, 6K	SIP7	CE
AM2D-RZ	5, 12, 15, 24, 48	5, 9, 12, 15	$\pm 5, \pm 9, \pm 12, \pm 15$	--	1K, 3K	SIP7	CE
AM2DM-NZ	5, 12, 24	5, 12, 15	$\pm 5, \pm 9, \pm 12, \pm 15$	--	6K	SIP7	--
AM2DG-NZ	9, 12, 15, 24	15, 17	-8.7, -8	--	3K	SIP7	CE, UL
AM2DS-Z	5, 12, 15, 24	3.3, 5, 9, 12, 15	$\pm 5, \pm 9, \pm 12, \pm 15, \pm 15/-9$	--	5.2K	SIP7	--
AM2DS-NZ	5, 12, 15, 24	3.3, 5, 9, 12, 15, 24	$\pm 3.3, \pm 5, \pm 9, \pm 12, \pm 15, \pm 24$	--	1.5K, 3K	SIP7	CE, UL
AM2DS-JZ	12, 24	5, 12, 15, 24	$\pm 3.3, \pm 5, \pm 12, \pm 15$	--	1.5K, 3K	SIP7	CE, UL
AM2F-Z	5, 12, 24	3.3, 5, 7.2, 9, 12, 15, 18, 24	--	--	1K, 3K, 5.2K	SIP12	--
AM2G-Z	4.5-9, 9-18, 18-36, 36-72	3.3, 5, 7.2, 9, 12, 15, 18, 24	$\pm 3.3, \pm 5, \pm 7.2, \pm 9, \pm 12, \pm 15, \pm 18, \pm 24$	--	1K, 3K	SIP8	CE
AM2GH-Z	4.5-18, 9-36, 18-75	3.3, 5, 12, 15	$\pm 5, \pm 12, \pm 15$	--	1.6K	SIP8	CE
AM2GW-Z	9-36, 18-75	3.3, 5, 12, 15	$\pm 5, \pm 12, \pm 15$	--	1.5K	SIP9	CE
AM2GW-NZ	9-36, 18-72	5	--	--	1.5K	SIP9	--
AM2LS-NZ	5, 12, 15, 24	3.3, 5, 9, 12, 15, 24	--	--	1.5K, 3K	SMD	--
AM2LS-JZ	12, 24	5, 12, 15, 24	--	--	1.5K, 3K	SMD	--
AM2M-NZ	3.3, 5, 9, 12, 15, 24	3.3, 5, 9, 12, 15, 24	$\pm 5, \pm 9, \pm 12, \pm 15, \pm 24$	--	3K	DIP14	CE
AM2M-JZ	12, 24	--	$\pm 3.3, \pm 5, \pm 12, \pm 15$	--	1.5K, 3K	DIP14	--
AM2S-Z	5, 12, 24, 48	3.3, 5, 7.2, 9, 12, 15, 18, 24	--	--	1K, 3K	SIP4	CE
AM2LO-Z	3, 4.5	3.3, 5	-5, -3.3	--	4.2K	SMD	CE
AM2LOW-Z	4.5-18, 9-36	5, 12, 15	$\pm 12, \pm 15$	--	3K	SMD	CE



3 Watt

SERIES	INPUT (VDC)	SINGLE OUTPUT (VDC)	DUAL OUTPUT (VDC)	ISOLATION (VDC)	CASE	SAFETY
AM3D-Z	5, 12	5, 9, 12, 15	±5, ±9, ±12, ±15	1K, 3K	SIP7	CE
AM3A-Z	12, 24, 48	3.3, 5, 12, 15	±5, ±12	1.6k	SIP6	--
AM3DG-NZ	12, 15, 24	15, 20	-8, -4	3KVAC, 3.5KVAC	SIP7	--
AM3F-Z	5, 12, 24	3.3, 5, 7.2, 9, 12, 15, 18, 24	--	1K, 3K, 5.2K	SIP12	--
AM3G-NZ	4.5-9, 9-18, 18-36, 36-75	3.3, 5, 9, 12, 15, 24	±5, ±9, ±12, ±15	1.5K, 3K	SIP8	--
AM3G-Z	4.5-9, 9-18, 18-36, 36-72	3.3, 5, 12, 15	±5, ±12, ±15	1.6K, 3K	SIP8	CE
AM3GH-Z	4.5-18, 9-36, 18-75	3.3, 5, 12, 15	±5, ±12, ±15	1.6K	SIP8	CE
AM3GW-Z	9-36, 18-75	3.3, 5, 12, 15	±5, ±12, ±15	1.5K	SIP9	CE
AM3GU-JZ	4.5-36	5, 12, 15	±5, ±12, ±15	3K	SIP8	CE
AM3HW-NZ	9-36, 18-75	5, 12, 15, 24	--	1.5K	SMD	--
AM3N-D-RZ	5, 12, 24	--	±3.3, ±5, ±7.2, ±9, ±12, ±15, ±18, ±24	1K, 3K, 5.2K	DIP24	CE
AM3N-Z	5, 12, 24	3.3, 5, 7.2, 9, 12, 15, 18, 24	--	1K, 3K, 5.2K	DIP24	CE
AM3T-Z	9-18, 18-36, 36-72	3.3, 5, 7.2, 9, 12, 15, 18, 24	±3.3, ±5, ±7.2, ±9, ±12, ±15, ±18, ±24	1.5K, 3.5K	DIP24	--
AM3T-NZ	4.5-9, 9-18, 18-36, 36-75	3.3, 5, 12, 15, 24	±5, ±9, ±12, ±15	1.5K	DIP24	CE, UL
AM3T-PNZ	4.5-9, 9-18, 18-36, 36-75	3.3, 5, 9, 12, 15, 24	±5, ±9, ±12, ±15	1.5K, 3K	DIP24	--
AM3T-RZ	9-18, 18-36, 36-72	3.3, 5, 7.2, 9, 12, 15, 18, 24	±3.3, ±5, ±7.2, ±9, ±12, ±15, ±18, ±24	1.5K	DIP24	CE
AM3T-VZ	4.5-9, 9-18, 18-36, 36-72	3.3, 5, 7.2, 9, 12, 15, 18, 24	±5, ±7.2, ±9, ±12, ±15, ±18, ±24	1.5K, 3.5K	DIP24	--
AM3T-RVZ	4.5-9, 9-18, 18-36, 36-72	3.3, 5, 7.2, 9, 12, 15, 18, 24	±5, ±7.2, ±9, ±12, ±15, ±18, ±24	1.5K	DIP24	--
AM3TI-RZ	9-18, 18-36, 36-75	3.3, 5, 12, 15, 24	±3.3, ±5, ±12, ±15, ±24	1.5K, 3K	DIP24	CE, UL
AM3TW-Z	9-36, 18-72	3.3, 5, 7.2, 9, 12, 15, 18, 24	±3.3, ±5, ±7.2, ±9, ±12, ±15, ±18, ±24	1.5K, 3.5K	DIP24	--
AM3TW-NZ	9-36, 18-75	3.3, 5, 9, 12, 15, 24	--	1.5k	DIP24	--
AM3TW-RZ	9-36, 18-72	3.3, 5, 7.2, 9, 12, 15, 18, 24	±3.3, ±5, ±7.2, ±9, ±12, ±15, ±18, ±24	1.5K	DIP24	CE
AM3TW-VZ	9-36, 18-72	5, 9, 12, 15, 24	±5, ±9, ±12, ±15, ±24	1.5K, 3.5K	DIP24	--
AM3TIW-RZ	9-36, 18-75	3.3, 5, 12, 15, 24	±3.3, ±5, ±12, ±15, ±24	1.5K, 3K	DIP24	CE, UL
AM3IW-NZ	18-75	--	5/5, 5/12, 5/24	3K	SIP10	CE
AM3O-NZ	4.5-9, 9-36	3.3, 5, 12, 15, 24	--	1.5K	Open Frame	CE
AM3PW-Z	4.5-18, 18-75	3.3, 5, 12, 15	±5, ±12, ±15	1.6K	DIP8	CE



AM3F SIP12



AM3G-Z SIP8



AM3Q-Z 1.7" x 1.1"



AM3N-Z DIP24

NEW

NEW

NEW

NEW

4 Watt



AM4TW-RZ DIP24

SERIES	INPUT (VDC)	SINGLE OUTPUT (VDC)	DUAL OUTPUT (VDC)	ISOLATION (VDC)	CASE	SAFETY
AM4N-Z	5, 12	3.3, 5, 12, 15	--	5K VAC	DIP24	CE
AM4T-Z	4.5-9, 9-18, 18-36, 36-72	3.3, 5, 7.2, 9, 12, 15, 18, 24	$\pm 3.3, \pm 5, \pm 7.2, \pm 9, \pm 12, \pm 15, \pm 18, \pm 24$	1.5K, 3.5K	DIP24	CE
AM4TW-Z	9-36, 18-72	3.3, 5, 7.2, 9, 12, 15, 18, 24	$\pm 3.3, \pm 5, \pm 7.2, \pm 9, \pm 12, \pm 15, \pm 18, \pm 24$	1.5K, 3.5K	DIP24	CE
AM4TW-RZ	9-36, 18-72	3.3, 5, 7.2, 9, 12, 15, 18, 24	$\pm 3.3, \pm 5, \pm 7.2, \pm 9, \pm 12, \pm 15, \pm 18, \pm 24$	1.5K	DIP24	CE
AM4TW-VZ	9-36, 18-72	3.3, 5, 12, 15	$\pm 5, \pm 12, \pm 15$	1.5K, 3.5K	DIP24	CE
AM4TW-RVZ	9-36, 18-72	3.3, 5, 12, 15	$\pm 5, \pm 12, \pm 15$	1.5K	DIP24	CE

5 Watt



AM5TW-Z DIP24



AM5W-NZ

AM5T-Z	4.5-9, 9-18, 18-36, 36-72	3.3, 5, 7.2, 9, 12, 15, 18, 24	$\pm 3.3, \pm 5, \pm 7.2, \pm 9, \pm 12, \pm 15, \pm 18, \pm 24$	1.5K, 3.5K	DIP24	CE
AM5T-VZ	9-18, 18-36, 36-72	5, 9, 12, 15, 24	$\pm 5, \pm 9, \pm 12, \pm 15, \pm 24$	1.5K, 3.5K	DIP24	--
AM5TG-NZ	9-18, 18-36	15	-9	3k	DIP24	--
AM5NG-NZ	13.5-16.5	--	15 / -9	--	DIP24	CE
AM5TW-Z	9-36, 18-72	3.3, 5, 7.2, 9, 12, 15, 18, 24	$\pm 3.3, \pm 5, \pm 7.2, \pm 9, \pm 12, \pm 15, \pm 18, \pm 24$	1.5K, 3.5K	DIP24	CE
AM5TW-RZ	9-36, 18-72	3.3, 5, 7.2, 9, 12, 15, 18, 24	$\pm 3.3, \pm 5, \pm 7.2, \pm 9, \pm 12, \pm 15, \pm 18, \pm 24$	1.5K	DIP24	CE
AM5TW-VZ	9-36, 18-72	3.3, 5, 12, 15	$\pm 5, \pm 12, \pm 15$	1.5K, 3.5K	DIP24	--
AM5TW-RVZ	9-36, 18-72	3.3, 5, 12, 15	$\pm 5, \pm 12, \pm 15$	1.5K	DIP24	--
AM5W-NZ	100-1000	5	--	4K VAC	2.76 X 1.89"	--

6 Watt

AM6Q-Z
1.7" x 1.1"

AM6C-NZ	9-18, 18-36, 36-75	3.3, 5, 12, 15, 24	$\pm 5, \pm 12, \pm 15, \pm 24$	1.5K	1 x 1"	--
AM6CW-NZ	9-36, 18-75, 40-160	3.3, 5, 9, 12, 15, 24	$\pm 5, \pm 12, \pm 15, \pm 24$	1.5K	1 x 1"	--
AM6G-Z	4.5-9, 9-18, 18-36, 36-75	3.3, 5, 9, 12, 15, 24	$\pm 5, \pm 12, \pm 15$	1.5K, 3K	SIP8	CE
AM6G-NZ	9-18, 18-36	3.3, 5, 9, 12, 15, 24	--	1.5K	SIP8	CE
AM6GH-Z	9-36, 18-75	3.3, 5, 9, 12, 15, 24	$\pm 5, \pm 12, \pm 15$	1.5K, 3K	SIP8	CE
AM6GH-NZ	9-36	3.3, 5, 9, 12, 15, 24	--	1.5K	SIP8	CE
AM6T-Z	4.5-9, 9-18, 18-36, 36-72	3.3, 5, 7.2, 9, 12, 15, 18, 24	$\pm 3.3, \pm 5, \pm 7.2, \pm 9, \pm 12, \pm 15, \pm 18, \pm 24$	1.5K, 3.5K	DIP24	CE
AM6T-VZ	9-18, 18-36, 36-72	5, 9, 12, 15, 24	$\pm 5, \pm 9, \pm 12, \pm 15, \pm 24$	1.5K, 3.5K	DIP24	--
AM6TI-Z	9-18, 18-36, 36-75	3.3, 5, 12, 15, 24	$\pm 3.3, \pm 5, \pm 12, \pm 15, \pm 24$	1.5K, 3K	DIP24	CE, UL
AM6T-NZ	9-18, 18-36, 36-75	3.3, 5, 9, 12, 15, 24	$\pm 5, \pm 12, \pm 15$	1.5K, 3K	DIP24	CE
AM6TW-Z	9-36, 18-72	3.3, 5, 7.2, 9, 12, 15, 18, 24	$\pm 3.3, \pm 5, \pm 7.2, \pm 9, \pm 12, \pm 15, \pm 18, \pm 24$	1.5K, 3.5K	DIP24	CE

6 Watt (con't)

SERIES	INPUT (VDC)	SINGLE OUTPUT (VDC)	DUAL OUTPUT (VDC)	ISOLATION (VDC)	CASE	SAFETY
AM6TW-RZ	9-36, 18-72	3.3, 5, 7.2, 9, 12, 15, 18, 24	±3.3, ±5, ±7.2, ±9, ±12, ±15, ±18, ±24	1.5K	DIP24	CE
AM6TW-RVZ	9-36, 18-72	12, 15	±12, ±15	1.5K	DIP24	--
AM6TIW-RZ	9-36, 18-75	3.3, 5, 12, 15, 24	±3.3, ±5, ±12, ±15, ±24	1.5K, 3K	DIP24	CE, UL
AM6TW-NZ	9-36, 18-75	3.3, 5, 9, 12, 15, 24	±5, ±12, ±15	1.5K, 3K, 6K	DIP24	--
AM6O-NZ	9-18, 18-36	3.3, 5, 12, 15	--	0.5KVAC	1.24 X 0.71"	



AM8TW-Z DIP24



AM10E-Z 2"x 1"

AM8T-Z	9-18, 18-36, 36-72	3.3, 5, 12, 15	±5, ±12, ±15	1.5K	DIP24	CE
AM8TW-Z	9-36, 13-70, 18-75, 42-176	3.3, 5, 12, 15	±5, ±12, ±15	1.6K, 3K	DIP24	CE

9 Watt

AM9GH-Z	9-36, 18-75	3.3, 5, 9, 12, 15, 24	±5, ±12, ±15	1.6K	SIP8	--
AM9G-Z	9-18, 18-36, 36-75	3.3, 5, 9, 12, 15, 24	±5, ±12, ±15	1.6K	SIP8	--

10 Watt

AM10C-NZ	18-36	5, 12, 15, 24	--	1.5k	1 X 1"	--
AM10CW-NZ	9-36, 18-75	3.3, 5, 12, 15, 24	±5, ±12, ±15, ±24	1.5K	1 x 1"	--
AM10CW-VZ	18-75	--	5/5, 5/12, 5/24	1.5K	1 x 1"	CE
AM10T-Z	9-18, 18-36, 36-75	2.5, 3.3, 5, 12, 15	±12, ±15	1.5k	DIP24	CE, UL
AM10T-NZ	9-18, 18-36, 36-75	12, 15, 24	±5, ±12, ±15	1.5k	DIP24	CE
AM10TW-Z	9-36, 18-75	3.3, 5, 12, 15	±5, ±12, ±15	1.6K	DIP24	CE
AM10E-Z	9-18, 18-36, 36-72	3.3, 5, 7.2, 9, 12, 15, 18, 24	±3.3, ±5, ±7.2, ±9, ±12, ±15, ±18, ±24	1.5K	2 X 1"	CE
AM10G-NZ	9-18, 18-36	3.3, 5, 12, 15, 24	--	1.5K	SIP8	CE
AM10GH-NZ	9-36	3.3, 5, 12, 15, 24	--	1.5K	SIP8	CE
AM10W-NZ	100-1000, 200-1500	5, 9, 24	--	4K VAC	2.76 x 1.89", 4.92 x 2.95"	CSA, UL
AM10WM-NZ	200-1500	5	--	4KVAC	4.3 x 2.3"	--
AM10TWM-YZ	9-36, 18-75	3.3, 5, 12, 15	±5, ±12, ±15	5KVAC	DIP24	--



AM12T-Z DIP24

AM6O-NZ
Open Frame

12 Watt

AM12T-Z	9-18, 18-36, 36-75	2.5, 3.3, 5, 12, 15	±12, ±15	1.6K	DIP24	CE
AM12TW-Z	9-36, 18-75	3.3, 5.1, 12, 15	±5, ±12, ±15	1.6K	DIP24	CE

NEW

14

15 Watt



AM15TW-Z DIP24

NEW

SERIES	INPUT (VDC)	SINGLE OUTPUT (VDC)	DUAL OUTPUT (VDC)	DUAL SEPARATED OUTPUT (VDC)	ISOLATION (VDC)	CASE	SAFETY
AM15C-Z	9-18, 18-36, 36-75	3.3, 5, 12, 15	$\pm 5, \pm 12, \pm 15$	--	1.6K	1 X 1"	CE
AM15CW-Z	9-36, 18-75	3.3, 5, 12, 15	$\pm 5, \pm 12, \pm 15$	--	1.6K	1 X 1"	CE
AM15E-Z	9-18, 18-36, 36-72	3.3, 5, 7.2, 9, 12, 15, 18, 24	$\pm 3.3, \pm 5, \pm 7.2, \pm 9, \pm 12, \pm 15, \pm 18, \pm 24$	--	1.5K	2 X 1"	CE
AM15E-NZ	18-36, 36-75	5, 12, 15, 24	--	--	1.5K	2 X 1"	CE
AM15OW-NZ	9-36, 18-75	3.3, 5, 12, 15	--	--	1.5K	1.52 X 1.07"	CE
AM15EW-Z	9-36, 18-72	3.3, 5, 12, 15	$\pm 5, \pm 12, \pm 15$	--	1.5K, 3K	2 X 1"	CE
AM15EW-NZ	9-36, 18-75, 40-160	3.3, 5, 12, 15, 24	--	--	1.5K, 2.25k	2 X 1"	--
AM15JW-Z	9-36, 18-75	3.3, 5, 12, 15	$\pm 5, \pm 12, \pm 15$	--	3k	1.6 X 1"	--
AM15W-NZ	100-1000, 200-1500	12, 15, 24	--	--	4KVAC	2.76 X 1.89", 4.92 X 2.95"	CSA, UL
AM15WM-NZ	200-1500	12, 15, 24	--	--	4KVAC	4.3 X 2.3"	--
AM15T-Z	9-18, 18-36, 36-75	3.3, 5.1, 12, 15	$\pm 5, \pm 12, \pm 15$	--	1.6K	DIP24	CE
AM15TW-Z	9-36, 18-75	3.3, 5.1, 12, 15	$\pm 5, \pm 12, \pm 15$	--	1.6K	DIP24	CE

20-25 Watt



AM20C-Z 1"x 1"

AM20C-Z	9-18, 18-36, 36-75	3.3, 5, 12, 15	$\pm 12, \pm 15$	--	1.6K	1 X 1"	CE
AM20CW-NZ	9-36, 18-75	3.3, 5, 12, 15	--	--	1.5K	1 X 1"	
AM20CW-Z	9-36, 18-75	3.3, 5, 12, 15	$\pm 12, \pm 15$	--	1.6K	1 X 1"	CE
AM20CW-NZ	9-36, 18-75	3.3, 5, 12, 15, 24	$\pm 5, \pm 12, \pm 15, \pm 24$	--	1.5K	1 X 1"	CE
AM20E-NZ	18-36, 36-75	3.3, 5, 12, 15	$\pm 5, \pm 9, \pm 12, \pm 15$	--	1.5k	2 X 1"	CE
AM20E-Z	9-18, 18-36, 36-75	3.3, 5, 12, 15	$\pm 12, \pm 15$	--	1.6K	2 X 1"	CE
AM20EW-Z	9-36, 18-75	3.3, 5, 12, 15	$\pm 5, \pm 12, \pm 15$	--	1.6K	2 X 1"	CE
AM20EW-NZ	9-36, 18-75, 40-160	3.3, 5, 9, 12, 15, 24	$\pm 5, \pm 9, \pm 12, \pm 15$	--	1.5K, 2.25k, 3k	2 X 1"	CE
AM20EW-VZ	18-75	--	--	5/5, 5/12, 5/24	3k	2 X 1"	--
AM20EWM-NZ	9-36, 18-75	3.3, 5, 12, 15, 24	--	--	5K	2 X 1"	CE
AM20JW-Z	9-36, 18-75	3.3, 5, 12, 15	$\pm 5, \pm 12, \pm 15$	--	3K	1.6 X 1"	--
AM20CWR-ZK	13-70/42-176	3.3, 5, 12, 15	--	--	3K	1 X 1"	--
AM25EUW-ZK	16-160	5, 12, 15, 24	--	--	3K	2 X 1"	--

30 Watt



AM100EBO-NZ

AM30C-Z	9-18, 18-36, 36-75	3.3, 5, 12, 15	$\pm 12, \pm 15$	--	1.6K	1 X 1"	--
AM30CW-Z	9-36, 18-75	3.3, 5, 12, 15	$\pm 12, \pm 15$	--	1.6K	1 X 1"	--
AM30E-Z	9-18, 18-36, 36-75	3.3, 5, 5.1, 12, 15	$\pm 5, \pm 12, \pm 15$	--	1.6K	2 X 1"	CE
AM30CW-NZ	18-75	5, 12, 15, 24	--	--	1.5K	1 X 1"	CE
AM30EW-Z	9-36, 18-75	3.3, 5, 5.1, 12, 15	$\pm 5, \pm 12, \pm 15$	3.3/ ± 12 , 3.3/ ± 15 , 5/ ± 12 , 5/ ± 15	1.6K	2 X 1"	CE
AM30EW-NZ	9-36, 18-75	3.3, 5, 9, 12, 15, 24	--	--	1.5K	2 X 1"	--
AM30K-NZ	9-18, 18-36, 36-75	3.3, 5, 12, 15, 24	--	--	1.5K	2 X 1.6"	--
AM30K-Z	9-18, 18-36, 36-75	3.3, 5, 12, 15	$\pm 12, \pm 15$	--	1.5K	2 X 1.6"	CE
AM30OW-VZ	18-75	--	--	5/24	3K	2.76 x 1.89"	CE


40 Watt

AM40E-Z	9-18, 18-36, 36-75	3.3, 5, 12, 15	$\pm 12, \pm 15$	--	1.6K	2 X 1"	CE
AM40EW-NZ	40-160	3.3, 5, 12, 15, 24	--	--	3K	2 X 1"	--
AM40UW-Z	9-36, 18-75	3.3, 5, 12, 15	$\pm 12, \pm 15$	--	1.6K	2 X 2"	CE
AM40W-NZ	200-1200, 200-1500	12, 15, 24	--	--	4K, 4K VAC	3.5 x 2.5"; 4.92 x 2.95"	CSA, UL

45 Watt

AM45W-NST	150-1500	--	--	15/15	4KVAC	Enclosed	
-----------	----------	----	----	-------	-------	----------	--

50 Watt

AM50E-NZ	18-36, 36-75	3.3, 5, 12, 15, 24	--	--	1.5K	2 X 1"	--
AM50E-Z	9-18, 18-36, 36-75	3.3, 5, 12, 15	--	--	1.6K	2 X 1"	--
 AM50QB-JZ	43-160	3.3, 5, 12, 15, 24, 48	--	--	3K	Quarter Brick	CE


60 Watt

AM60EW-Z	9-36, 18-75	5, 12, 15	--	--	1.6K	2 X 1"	--
AM60U-Z	18-36, 36-75	3.3, 5, 12, 15	--	--	1.6K	2 X 2"	CE


75 Watt

 AM75QB-JZ	43-160	3.3, 5, 12, 15, 24, 48	--	--	3K	Quarter Brick	CE
--	--------	------------------------	----	----	----	------------------	----

100 Watt

 AM100EBO-NZ	36-75	5, 12, 15, 24, 28	--	--	1.5K	1/8th Brick	CE
AM100QB-JZ	43-160	3.3, 5, 12, 15, 24, 48	--	--	3K	Quarter Brick	CE


150 Watt

 AM150HB-JZ	43-66, 66-160	5, 12, 15, 24, 48	--	--	3K	Half Brick	CE
AM150QB-NZ	18-75	5, 12, 15, 24, 48	--	--	3K	Quarter Brick	--

200 Watt

AM200QB-NZ	18-75	5, 12, 15, 24, 48	--	--	3K	Quarter Brick	--
------------	-------	-------------------	----	----	----	------------------	----

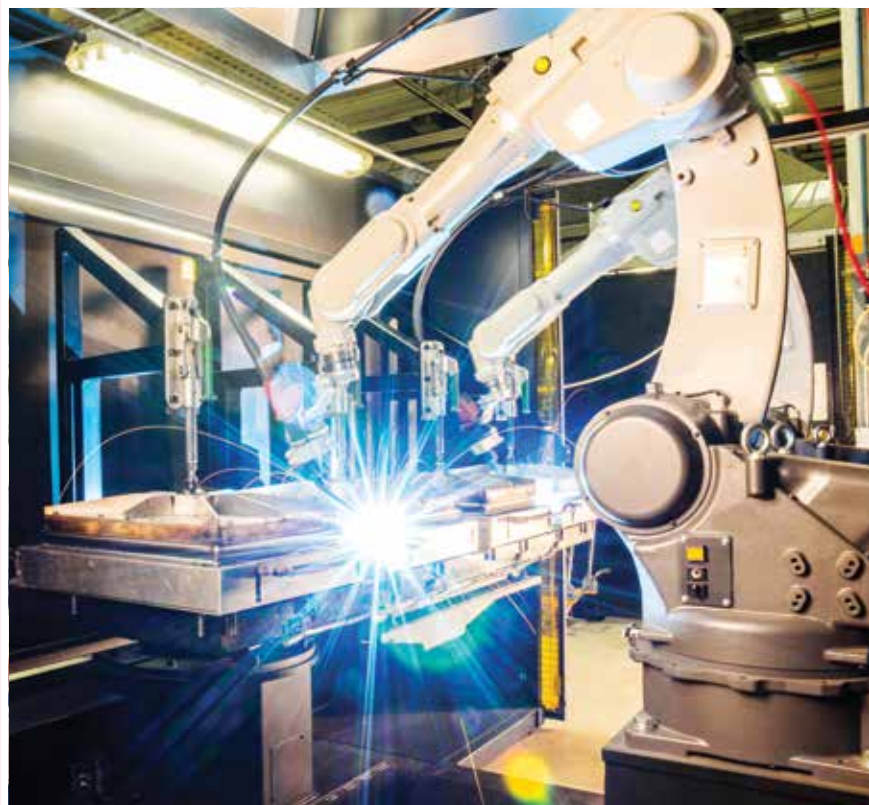
250 Watt

 AM250HB-JZ	40-66, 66-160	5, 12, 15, 24, 48, 54	--	--	3K	Quarter Brick	CE
AM250ST-NZ	43-66, 66-160, 43-160	5, 12, 15, 24, 48, 54			3K	Enclosed	CE

16



Switching Regulators (non-isolated)



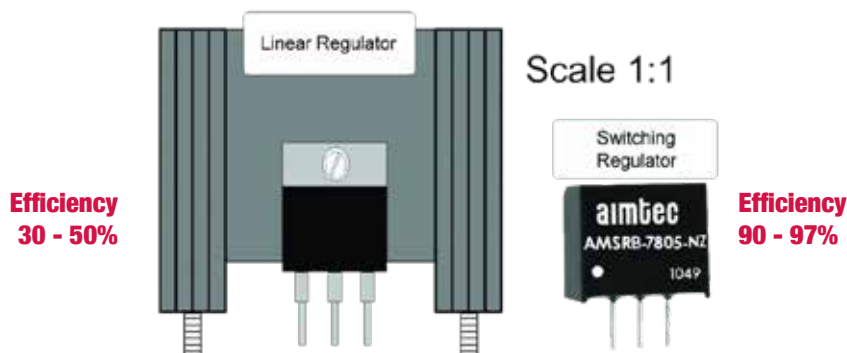
High Efficiency: up to 97% versus 50% for linear regulators

NO heat sink required: Saves PCB real-estate

NO forced air cooling required: Eliminates need for heat sink

0.75 to 240 Watt Non-Isolated Switching Regulator

POWER (W)	SERIES	INPUT (VDC)	SINGLE OUTPUT (VDC)	OUTPUT CURRENT MAX (A)	CASE	SAFETY
1.65 ~ 7.5	AMSRD-NZ	4.5 ~ 36	±3.3, ±5, ±6.5, ±9, ±12, ±15	-0.3 ~ 0.5	DFN	CE
0.75 ~ 7.5	AMSR-78-Z	4.75 ~ 34	1.5, 1.8, 2.5, 3.3, 5, 6.5, 7.2, 9, 12, 15	0.5	SIP3	CE
1.65 ~ 7.5	AMSRB-78-Z	4.5 ~ 28	3.3, 5, 12, 15	0.5	SIP3	CE
5	AMSRB1-78Z	7 ~ 28	3.3, 5	1	SIP3	--
1.65 ~ 7.5	AMSR-78-NZ	4.75 ~ 32	3.3, 5, 6.5, 9, 12, 15	0.5	SIP3	--
15	AMSR11-78-NZ	6 ~ 36	3.3, 5, 9, 12, 15	1	SIP3	CE, UL
1.65 ~ 7.5	AMSR0-78-NZ	4.75 ~ 36	3.3, 5, 12, 15	0.5	SIP3	CE, UL
1.65 ~ 7.5	AMSR0L-78NZ	4.75 ~ 36	3.3, 5, 9, 12, 15	0.5	SMD	--
3.3 ~ 15	AMSR01-78-NZ	6 ~ 36	3.3, 5, 12, 15	1	SIP3	CE, UL
1.65 ~ 7.5	AMSRW-78Z	9 ~ 72	3.3, 5, 6.5, 7.2, 9, 12, 15	0.5	SIP3	CE
1.65 ~ 12	AMSRW-78-NZ	9 ~ 72	3.3, 5, 6.5, 9, 12, 15, 24	0.5	SIP3 (VERTICAL & HORIZONTAL)	--
3.3 ~ 12	AMSR1-78-NZ	4.75 ~ 32	3.3, 5, 6.5, 9, 12	1	SIP3 (VERTICAL & HORIZONTAL)	--
1.2 ~ 15	AMSR1-Z	1.2 ~ 15	1.2, 1.5, 1.8, 2.5, 3.3, 5, 6.5, 12, 15	1	SIP3	CE
2.4 ~ 30	MASR2-Z	3 ~ 36	1.2, 1.5, 1.8, 2.5, 3.3, 5, 6.5, 12, 15	2	SIP3	CE
1.5 ~ 5	AMSR1-78Z	4.75 ~ 18	1.5, 1.8, 2.5, 3.3, 5	1	SIP3	CE
1.2 ~ 15	AMSR1-Z	1.2 ~ 15	1.2, 1.5, 1.8, 2.5, 3.3, 5, 6.5, 9, 12, 15	1	SIP3	CE
1.2 ~ 15	AMSR1-Z	1.2 ~ 15	1.2, 1.5, 1.8, 2.5, 3.3, 5, 6.5, 9, 12, 15	1	SIP3	CE
1.2 ~ 15	AMSR1-Z	1.2 ~ 15	1.2, 1.5, 1.8, 2.5, 3.3, 5, 6.5, 9, 12, 15	1	SIP3	CE
1.5 ~ 12	AMSR11-78JZ	4.75 ~ 36	1.5, 1.8, 2.5, 3.3, 5, 6.5, 9, 12	1	SMD	--
5 ~ 13	AMSR2-78-NZ	4.75 ~ 18	2.5, 3.3, 5, 6.5	2	SIP3 (VERTICAL & HORIZONTAL)	--
6.6 ~ 30	AMSR2-78JZ	6 ~ 36	3.3, 5, 9, 12, 15	2	SIP3	CE
9.9 ~ 45	AMSR3-NZ	8 ~ 36	3.3, 5, 6.5, 9, 12, 15	3	SIP12	CE
4.5 ~ 30	AMSR6-NZ	8 ~ 14	0.75-5	6	SMD	--
120~240	AMSR0L10-NZ	16~75, 30~75	12, 24	10	SMD Open Frame	CE
7.5 ~ 50	AMSR10-NZ	8 ~ 14	0.75-5	10	SMD	--
12 ~ 80	AMSR16-NZ	8 ~ 14	0.75-5	16	SMD	--





AC/DC Converters (isolated)



The AME10/20-BJZ AC/DC series are two new high-power converters that boast an ultra-wide 90-528VAC input voltage range.



AME10/20-BJZ Series work great for 3 phase applications.

Wide operating temperatures: -40 °C to 85 °C

High power density: 5 Watt, 10 Watt and 20 Watt with the same small footprint

Low EMI: suitable for very sensitive telecom applications

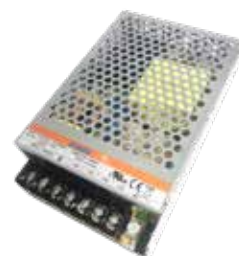
High I/O Isolation: up to 4000VAC



AMEM3-277HAVZ



AMEOF350-HAMJZ
350W medical AC/DC
Converter



AMES150-NZ



AIMTEC EAGLE SERIES



AMESP320-NZ



AMESP75-NZ

SERIES	POWER (W)	SINGLE OUTPUT (VDC)	DUAL & TRIPLE OUTPUT (VDC)	ISOLATION (VAC)	CASE (MM)	OPERATING TEMPERATURE (°C)	SAFETY
90-264VAC Input							
AMES35-NZ	35	5, 12, 15, 24	5/12, 5/24 +5/+12/-12 +5/+15/-15 +5/+24/+12	4000	99 x 82 x 30	-30 to +70	CE
AMES50-NZ	50	3.3, 5, 12, 15, 24, 48	--5/12, 5/24 +5/+12/-12 +5/+15/-15 +5/+24/+12	4000	99 x 82 x 30	-30 to +70	CE
AMES150-NZ	100	12, 15, 24, 36, 48	--	4000	159 x 97 x 30	-30 to +70	CE
AMES200-NZ	200	5, 12, 15, 24, 36, 48	--	4000	179 x 99 x 30	-30 to +70	CE
AMES350-NZ	350	5, 12, 15, 24, 36, 48	--	4000	215 x 115 x 30	-30 to +70	CE
85-305VAC Input							
AMES15-277NZ	15	3.3, 5, 12, 15, 24, 48	--	4000	65 x 55 x 25	-30 to +70	CE
AMES25-277NZ	25	3.3, 5, 12, 15, 24, 48	--	4000	80 x 55 x 25	-30 to +70	CE
AMES35-277NZ	35	12, 15, 24, 48	--	4000	99 x 82 x 30	-30 to +70	CE
AMES50-277NZ	50	5, 12, 15, 24, 48	--	4000	99 x 82 x 30	-30 to +70	CE
AMES75-277NZ	75	5, 12, 15, 24, 48	--	4000	99 x 97 x 30	-30 to +70	CE
AMES100-277NZ	100	5, 12, 15, 24, 48	--	4000	129 x 97 x 30	-30 to +70	CE
AMES150-277NZ	150	12, 15, 24, 48	--	4000	159 x 97 x 30	-30 to +70	CE
Power Factor Correction							
AMESP75-NZ	75	5, 12, 15, 24, 48	--	4000	159 x 97 x 30	-30 to +70	CE
AMESP100-NZ	100	12, 15, 24, 48	--	4000	179 x 99 x 30	-30 to +70	CE
AMESP150-NZ	150	12, 15, 24, 48	--	4000	179 x 99 x 30	-30 to +70	CE
AMESP200-NZ	200	5, 12, 15, 24, 48	--	4000	215 x 115 x 30	-30 to +70	CE
AMESP320-NZ	320	5, 12, 15, 24, 48	--	4000	215 x 115 x 30	-30 to +70	CE



aimtec
MUST HAVZ



ORANGE AC/DC CONVERTERS!



AMEM5-277HAVZ

SERIES	POWER (W)	SINGLE OUTPUT (VDC)	ISOLATION (VAC)	CASE	OPERATING TEMPERATURE (°C)	SAFETY
85-305VAC Input						
AMEM3-277HAVZ	3	3.3, 5, 9, 12, 15, 24	4000	1 X 1"	-40 to +85	CE, UL
AMEM5-277HAVZ	5	3.3, 5, 9, 12, 15, 24	4000	1 X 1"	-40 to +85	CE, UL
AMEL10-277HAVZ	10	3.3, 5, 9, 12, 15, 24	4000	1.58 x 1 x 0.83"	-40 to +85	CE, UL
AMEL15-277HAVZ	15	3.3, 5, 9, 12, 15, 24	4000	1.87 x 1.06 x 0.92"	-40 to +85	CE, UL
AMEL20-277HAVZ	20	5, 12, 15, 24, 36, 48	4000	2.06 x 1.07 x 0.94"	-40 to +85	CE, UL
AMEL30-277HAVZ	30	3.3, 5, 9, 12, 15, 24, 48	4200	2.06 x 1.07 x 0.94"	-40 to +85	CE, UL



Medical



Industrial



IoT



Appliances

Meets IEC/EN/UL62368, IEC/EN60335, 61558



& IEC/EN60601-1 for 15 and 20W models

85-264VAC input voltage

SERIES	POWER (W)	SINGLE OUTPUT (VDC)	DUAL OUTPUT (VDC)	DUAL ASYMMETRICAL OUTPUT(VDC)	TRIPPLE OUTPUT (VDC)	ISOLATION (VAC)	CASE (MM)	OPERATING TEMPERATURE (°C)	SAFETY
Open Frame, PCB Mount									
AMEOF1-JZ	1	5, 9, 12, 15, 24	--	--	--	3000	SIP 12	-40 to +85	CE
AMEOF3-JZ	3	3.3, 5, 9, 12, 15, 24	--	--	--	3000	SIP 12	-40 to +85	CE
AMEOF5-JZ	5	3.3, 5, 9, 12, 15, 24	--	--	--	3000	SIP 14	-25 to +85	CE
AMEOF30-JZ	30	3.3, 5, 9, 12, 15, 24, 48	--	--	--	3000	76 x 50 x 27	-25 to +70	CE
AMEOF45-JZ	45	3.3, 5, 9, 12, 15, 24, 48	--	--	--	3000	Open frame	-25 to +70	CE
Encapsulated, PCB Mount									
AME3-CJZ	3	3.3, 5, 9, 12, 15, 24	--	--	--	3000	37 x 24.5 x 18	-25 to +70	CE
AME3-HAVZ	3	5, 12, 24	--	--	--	4000	32.3 x 27.3 x 21.8	-25 to +70	CE
AMEL3-VZ-(W)	3	3.3, 5, 9, 12, 15, 24	--	--	--	4000	37 x 24.5 x 18	-40 to +70	CE
AMEM5-Y	5	3.3, 5, 9, 12, 15, 24, 26, 48	--	--	--	4000	25.4 x 25.4 x 15.2	-25 to +70	CE
AMEL5-VZ-(W)	5	3.3, 5, 12, 15, 24	--	--	--	4000	37 x 24.5 x 18	-40 to +70	CE
AME5-VZ	5	3.3, 5, 9, 12, 15, 24	--	--	--	4000	48.5 x 36 x 20.5	-40 to +85	CE
AMEL6-VZ	6	3.3, 5, 12, 15, 24	--	--	--	4000	50.8 x 25.4 x 15.36	-40 to +70	CE
AME10-CJZ	10	3.3, 5, 9, 12, 15, 24	±5, ±12, ±15, ±24	5/5, 5/12, 5/15, 5/24	5/±12, 5/±15	3000	55 x 45 x 21	-25 to +70	CE, UL
AMEL10-JZ	10	3.3, 5, 9, 12, 15, 24	--	--	--	4000	53.80 x 28.8 x 19	-25 to +70	CE
AME10-VZ	10	3.3, 5, 9, 12, 15, 24	--	--	--	4000	55 x 45 x 21	-40 to +85	CE
AME10-CVZ	10	--	±5, ±12, ±15	--	5/±12, 5/±15	4000	55 x 45 x 21	-40 to +70	
AMEL12-CJZ	12	3.3, 5, 12, 15, 24	--	--	--	4000	53.8 x 28.8 x 23.5	-25 to +70	CE
AME15-CJZ	15	3.3, 5, 9, 12, 15, 24	±5, ±12, ±15, ±24	5/5, 5/12, 5/15, 5/24	5/±5, 5/±12, 5/±15, 5/±24	3000	62 x 45 x 22.5	-25 to +70	CE, UL
AMEL15-JZ	15	3.3, 5, 9, 12, 15, 24	--	--	--	4000	53.8 x 28.8 x 23.5	-25 to +70	CE
AME15-VZ	15	3.3, 5, 9, 12, 15, 24	--	--	--	4000	62 x 45 x 22.5	-40 to +85	CE
AMEL20-JZ	20	3.3, 5, 9, 12, 15, 24	--	--	--	4000	53.8 x 28.8 x 23.5	-40 to +70	CE
AME20-CJZ	20	5, 9, 12, 15, 24	±5, ±12, ±15	5/12, 5/15, 5/24	5/±5, 5/±12, 5/±15, 5/±24	3000	70 x 48 x 23	-40 to +70	CE, UL
AME20-VZ	20	3.3, 5, 9, 12, 15, 24	--	--	--	4000	62 x 45 x 22.5	-40 to +85	CE
AME25-CJZ	25	3.3, 5, 9, 12, 15, 24, 48	--	--	--	3000	70 x 48 x 23.5	-25 to +70	CE, UL
AME25-VZ	25	3.3, 5, 9, 12, 15, 24	--	--	--	4000	62 x 45 x 22.5	-40 to +85	CE
AMED30-NZ	30	5, 12, 15, 24, 48	--	--	--	4000	92.7 x 35 x 58	-40 to +70	--
AME40-CJZ	40	3.3, 5, 9, 12, 15, 24	±5, ±12, ±15	5/12, 5/24	--	3000	89 x 63.5 x 25	-40 to +70	CE, UL
AME40-VZ	40	3.3, 5, 9, 12, 15, 24, 48	--	--	--	4000	89 x 63.5 x 25	-40 to +70	CE
AMEOF45-JZ	45	3.3, 5, 9, 12, 15, 24, 48	--	--	--	3000	76.2 x 50.8 x 30	-25 to +70	--
AMEL45-JZ	45	5, 12, 15, 24, 48	--	--	--	4000	87 x 52 x 29.5	-40 to +70	CE
AMEL60-JZ	60	5, 12, 15, 24, 48	--	--	--	4000	87 x 52 x 29.5	-40 to +70	CE
AME60-VZ	60	3.3, 5, 9, 12, 15, 24, 48	--	--	--	4000	109 x 58.5 x 30	-40 to +70	CE
AMEOF65-JZ	65	5, 9, 12, 15, 24, 48	--	--	--	3000	76.2 x 50.8 x 30	-25 to +70	CE

DIN Rail 85-264VAC Input Voltage

SERIES	POWER (W)	SINGLE OUTPUT (VDC)	DUAL OUTPUT (VDC)	DUAL ASYMMETRICAL OUTPUT(VDC)	ISOLATION (VAC)	CASE (MM)	OPERATING TEMPERATURE (°C)	SAFETY
Encapsulated, Chassis Mount								
AMED60-NZ	60	5, 12, 15, 24, 48	--	--	4000	92.7 x 70 x 58	-40 to +70	CE
AMED75-NZ	75	12, 24, 48	--	--	4000	30 x 128 x 120	-30 to +70	CE
AMED100-NZ	100	12, 15, 24, 48	--	--	4000	92.7 x 70 x 58	-40 to +70	CE
AMED120-NZ	120	12, 24, 48	--	--	4000	35 x 128 x 120	-20 to +60	CE

85-305VAC Input Voltage

SERIES	POWER (W)	SINGLE OUTPUT (VDC)	ISOLATION (VAC)	CASE (MM)	OPERATING TEMPERATURE (°C)	SAFETY
Encapsulated, PCB Mount						
AME1-AZ	1	3.3, 5, 12, 15, 24	3000	35.6 x 23.3 x 19.3	-40 to +80	CE, UL
AME2-AZ	2	3.3, 5, 12, 15, 24	3000	35.6 x 23.3 x 19.3	-40 to +80	CE, UL
AMEL2-277NZ	2	3.3, 5, 9, 12, 15, 24	4000	33.7 x 22.2 x 18	-40 to +70	--
AME3-AZ	3	3.3, 5, 12, 15, 24	3000	35.6 x 23.3 x 19.3	-40 to +80	CE, UL
AMEOFL3-277HANZ	3	3.3, 5, 9, 12, 15, 24	3000	26.4 x 12.58 x 12	-40 to +85	CE
AMEL5-JZ	5	3.3, 5, 9, 12, 15, 24	4000	50.8 x 25.4 x 15.2	-25 to +70	CE
AMEOFL5-277HANZ	5	3.3, 5, 9, 12, 15, 24	3000	26.40 x 14.73 x 11	-40 to +85	CE
AMEL5-AZ	5	3.3, 5, 12, 15, 24	3000	51.5 x 28.3 x 17.8	-40 to +95	CE, UL
AME5-277NZ	5	-12/5/ 12	3000	48.5 x 36.0 x 20.5	-40 to +80	CE
AMEL5-277NZ	5	3.3, 5, 9, 12, 15, 24	4000	2 x 1 x 0.6	-40 to +70	--
AMEOF5-277NZ	5	3.3, 5, 9, 12, 15, 24	3000	35 x 18 x 11	-40 to +85	--
AMEOF8-277NZ	8	3.3, 5, 9, 12, 15, 24	3000	44.5 x 24 x 15	-40 to +85	--
AME10-JZ	10	3.3, 5, 9, 12, 15, 24	3000	56 x 45 x 21	-40 to +70	CE, UL
AMEL10-AZ	10	3.3, 5, 12, 15, 24	3000	56.5 x 30.9 x 25.1	-40 to +80	CE, UL
AME10-277VZ	10	3.3, 5, 9, 12, 15, 24	4000	55 x 45 x 21	-40 to +85	CE
AME10-277PEVZ	10	3.3, 5, 9, 12, 15, 24	4200	55 x 45 x 21	-40 to +85	CE
AMEL10-277NZ	10	3.3, 5, 9, 12, 15, 24	4000	53.8 x 28.8 x 19	-40 to +70	CE
AMEOF10-277NZ	10	3.3, 5, 9, 12, 15, 24	3000	44.5 x 24 x 15	-40 to +85	CE
AMEOFL10-277NZ	10	3.3, 5, 9, 12, 15, 24	3000	32 x 20 x 15.05	-40 to +85	CE
AME15-JZ	15	3.3, 5, 9, 12, 15, 24, 48	3000	62 x 45 x 22.5	-40 to +70	CE, UL
AME15-277VZ	15	3.3, 5, 9, 12, 15, 24, 48	4000	62 x 45 x 22.5	-40 to +85	CE
AME15-277PEVZ	15	3.3, 5, 9, 12, 15, 24, 48	4200	62 x 45 x 22.5	-40 to +85	CE
AMEOF15-277NZ	15	3.3, 5, 9, 12, 15, 24	3000	24 x 44.5 x 15	-40 to +85	CE
AMEL20-AZ	20	3.3, 5, 12, 15, 24	3000	56.5 x 30.8 x 25.1	-40 to +80	CE, UL
AME20-JZ	20	3.3, 5, 9, 12, 15, 24	3000	70 x 48 x 23.5	-40 to +70	CE, UL
AME25-JZ	25	3.3, 5, 9, 12, 15, 24, 48	3000	71 x 48 x 23.5	-40 to +70	CE, UL
AME25-277VZ	25	3.3, 5, 9, 12, 15, 24, 48	4000	70 x 48 x 23.5	-40 to +85	CE
AME25-277PEVZ	25	3.3, 5, 9, 12, 15, 24, 48	4000	70 x 48 x 23.5	-40 to +85	CE
AME40-277VZ	40	3.3, 5, 12, 15, 24, 48	4000	89 x 63.5 x 25	-40 to +70	CE
AME60-277VZ	60	5, 12, 15, 24, 48	4000	109 x 58.5 x 30	-40 to +70	CE

90-528VAC Input Voltage

SERIES	POWER (W)	SINGLE OUTPUT (VDC)	DUAL ASYM-METRICAL	ISOLATION (VAC)	CASE (MM)	OPERATING TEMPERATURE (°C)	SAFETY
Encapsulated, PCB Mount							
AME1-BAZ	1	3.3, 5, 12, 15, 24	--	3000	35.6 x 23.3 x 19.3	-40 to +80	CE, UL
AME2-BAZ	2	3.3, 5, 12, 15, 24	--	3000	35.6 x 23.3 x 19.3	-40 to +70	CE, UL
AME3-BAZ	3	3.3, 5, 12, 15, 24	--	3000	35.6 x 23.3 x 19.3	-40 to +60	CE, UL
AME3-BJZ	3	3.3, 5, 9, 12, 15, 24	--	3000	50.8 x 25.4 x 15.2	-40 to +70	--
AME10-BJZ	10	3.3, 5, 9, 12, 15, 24	--	4000	62 x 45 x 30	-40 to +70	CE
AME20-BJZ	20	3.3, 5, 9, 12, 15, 24	--	4000	70 x 48 x 30	-40 to +70	CE
Open Frame, PCB Mount							
AMEOF3-BJZ	3	3.3, 5, 9, 12, 15, 24	--	4000	SIP16 (44.5 x 24 x 13)	-40 to +85	--
AMEOF5-BJZ	5	3.3, 5, 9, 12, 15, 24	--	4000	SIP16 (44.5 x 24 x 13)	-40 to +85	--

AC/DC Converters for Medical Applications

SERIES	POWER (W)	SINGLE OUTPUT (VDC)	CASE (MM)	OPERATING TEMPERATURE (°C)	SAFETY
Encapsulated, PCB mount, 2 x MOPP, Input 85-264VAC, I/O Isolation 4000VAC					
AMEL5-MJZ	5	5, 12, 15, 24	53.8 x 28.8 x 19	-25 to +70	IEC\EN\UL 60601-1
AMEL10-MJZ	10	3.3, 5, 9, 12, 15, 24	53.8 x 28.8 x 19	-25 to +70	IEC\EN\UL 60601-1
AME15-MJZ	15	5, 12, 15, 18, 24	62 x 45 x 22.5	-40 to +70	IEC\EN\UL 60601-1
AME25-MJZ	25	5, 12, 15, 18, 24	70 x 48 x 23.5	-40 to +70	IEC\EN\UL 60601-1
AMEOF65-HAMJZ	65	3.3, 5, 12, 15, 24, 36, 48	76.2 x 50.8 x 26.5	-40 to +70	CE
AMEOF120-HAMJZ	120	12, 15, 24, 27, 48	76.2 x 50.8 x 31	-40 to +85	CE
AMEOF225-HAMJZ	225	12, 15, 24, 27, 36, 48	103.4 x 62.0 x 37	-40 to +70	CE
AMEOF350-HAMJZ	120	12, 15, 24, 27, 48	127.0 x 76.2 x 25.4	-40 to +70	CE
Encapsulated, Chassis Mount, 2 x MOPP, Input 85-264VAC, I/O Isolation 4000VAC					
AMEL10-MJZ-ST	10	3.3, 5, 9, 12, 15, 24	76 x 31.5 x 27.8	-25 to +70	IEC\EN\UL 60601-1
AME25-MJZ-ST	25	5, 12, 15, 18, 24	96.1 x 54 x 32	-40 to +70	IEC\EN\UL 60601-1



AC/DC Converters for Medical Applications (Con't)

SERIES	POWER (W)	SINGLE OUTPUT (VDC)	DUAL OUTPUT (VDC)	DUAL ASYMMETRICAL (VDC)	CASE (MM)	OPERATING TEMPERATURE (°C)	SAFETY
Encapsulated, Chassis Mount, 2 x MOOP, Input 90-264VAC, I/O Isolation 4000VAC							
AMEL5-MAZ	5	3.3, 5, 12, 15, 24	±5, ±12, ±15	--	51.5 x 28 x 17.8	-40 to +80	IEC\EN\UL 60601-1
AMEL10-MAZ	10	3.3, 5, 12, 15, 24	-	3.3/5, 3.3/12, 3.3/15, 3.3/24, 5/12, 5/15, 5/24, 12/15, 12/24, 15/24, -3.3/5, -3.3/12, -3.3/15, -5/5, -5/12, -5/15, -12/12, -12/15	56.5 x 30.9 x 25.1	-40 to +70	IEC\EN\UL 60601-1
AME15-MAZ	15	3.3, 5, 12, 15, 24	±5, ±12, ±15	--	65 x 46.5 x 20.1	-40 to +85	IEC\EN\UL 60601-1
AMEL20-MAZ	20	3.3, 5, 12, 15, 24		3.3/5, 3.3/12, 3.3/15, 3.3/24, 5/12, 5/15, 5/24, 12/15, 12/24, 15/24, -3.3/5, -3.3/12, -3.3/15, -5/5, -5/12, -5/15, -12/12, -12/15	56.5 x 30.9 x 25.1	-40 to +70	IEC\EN\UL 60601-1
AME30-MAZ	30	3.3, 5, 12, 15, 24	±5, ±12, ±15, ±24	--	90.5 x 63 x 30	-40 to +85	IEC\EN\UL 60601-1
AME40-MAZ	40	3.3, 5, 12, 15, 24	±5, ±12, ±15, ±24	--	90.5 x 63 x 30	-40 to +85	IEC\EN\UL 60601-1
Encapsulated, Chassis Mount, 2 x MOOP, Input 90-264VAC, I/O Isolation 4000VAC							
AMEL5-MAZ-ST	5	3.3, 5, 12, 15, 24	±5, ±12, ±15	--	86 x 38 x 23.8	-40 to +80	IEC\EN\UL 60601-1
AMEL10-MAZ-ST	10	3.3, 5, 12, 15, 24	--	3.3/5, 3.3/12, 3.3/15, 3.3/24, 5/12, 5/15, 5/24, 12/15, 12/24, 15/24, -3.3/5, -3.3/12, -3.3/15, -5/5, -5/12, -5/15, -12/12, -12/15	86 x 38 x 31.1	-40 to +70	IEC\EN\UL 60601-1
AMEL20-MAZ-ST	20	3.3, 5, 12, 15, 24	--	3.3/5, 3.3/12, 3.3/15, 3.3/24, 5/12, 5/15, 5/24, 12/15, 12/24, 15/24, -3.3/5, -3.3/12, -3.3/15, -5/5, -5/12, -5/15, -12/12, -12/15	86 x 38 x 31.1	-40 to +70	IEC\EN\UL 60601-1

Non-Isolated AC/DC Converters

SERIES	POWER (W)	INPUT VOLTAGE VAC	OUTPUT (VDC)	DUAL ASYMMETRICAL (VDC)	CASE (MM)	OPERATING TEMPERATURE (°C)	SAFETY
AMESR-277NZ	1 ~ 3	85-305	5, 12	--	25.21 x 17.43 x 9.5	-40 to +85	--



AC/DC CONVERTERS FOR MEDICAL APPLICATIONS (CON'T)

SERIES	POWER (W)	SINGLE OUTPUT (VDC)	DUAL OUTPUT (VDC)	CASE (MM)	OPERATING TEMPERATURE (°C)	SAFETY
Enclosed, Chassis Mount, 2 x MOOP, input 90-264VAC, I/O Isolation 4000VAC with Connector on Input & Output						
AMEC15-MAZ	15	3.3, 5, 12, 15, 24	±5, ±12, ±15	92 x 65 x 24	-40 to +80	CE, IEC\EN\UL 60601-1
AMEC30-MAZ	30	3.3, 5, 12, 15, 24	±5, ±12, ±15, ±24	125 x 65 x 35	-40 to +85	CE, IEC\EN\UL 60601-1
AMEC40-MAZ	40	3.3, 5, 12, 15, 24	±5, ±12, ±15, ±24	125 x 65 x 35	-40 to +85	CE, IEC\EN\UL 60601-1
Enclosed, Chassis Mount, 2 x MOOP, Input 90-264VAC, I/O Isolation 4000VAC with Screw Terminals on Input & Output						
AMES15-MAZ	15	3.3, 5, 12, 15, 24	±5, ±12, ±15	92 x 65 x 24	-40 to +80	CE, IEC\EN\UL 60601-1
AMES30-MAZ	30	3.3, 5, 12, 15, 24	±5, ±12, ±15, ±24	125 x 65 x 35	-40 to +85	CE, IEC\EN\UL 60601-1
AMES40-MAZ	40	3.3, 5, 12, 15, 24	±5, ±12, ±15, ±24	125 x 65 x 35	-40 to +85	CE, IEC\EN\UL 60601-1
Open Frame, Chassis Mount, 2 x MOOP, Input 90-264VAC, I/O Isolation 4000VAC with Connector on Input & Output						
AMEOC30-MAZ	30	3.3, 5, 12, 15, 24	±5, ±12, ±15, ±24	125 x 59 x 26	-40 to +85	CE, IEC\EN\UL 60601-1
AMEOC40-MAZ	40	3.3, 5, 12, 15, 24	±5, ±12, ±15, ±24	125 x 59 x 26	-40 to +85	CE, IEC\EN\UL 60601-1
Open Frame, Chassis Mount, 2 x MOOP, Input 90-264VAC, I/O Isolation 4000VAC with Screw Terminals on Input & Output						
AMEOS30-MAZ	30	3.3, 5, 12, 15, 24	±5, ±12, ±15, ±24	125 x 59 x 26	-40 to +85	CE, IEC\EN\UL 60601-1
AMEOS40-MAZ	40	3.3, 5, 12, 15, 24	±5, ±12, ±15, ±24	125 x 59 x 26	-40 to +85	CE, IEC\EN\UL 60601-1



AMEOS30-5SMAZ



AMEC15-MAZ
Enclosed with
connector package



The new AM20CWR-ZK is our brand new 1 x 1” railway converter with a built in heatsink. This converter comes standard with an ultra-wide input voltage range and an on/off control.



Aimtec’s AM3A-Z is the first ever 3W, SIP6 dual output DC/DC converter. With a 4:1 Ultra-wide input voltage range and isolation of 1600VDC, this is the smallest 3W converter ever designed by Aimtec!



Aimtec’s Must HAVZs are our new cost effective orange AC/DC converters that offer 85-305VAC input voltage range. With a 4000VAC isolation and multiple safety features, these models will greatly benefit your new system design.



The AMSR2-78JZ is our new cost effective 2A switching regulator. With an efficiency up to 95%, short circuit protection and being designed to meet IEC 62368-1 standard, this product is perfect for instrumentation and IoT applications.



LED Drivers



Another ground-breaking innovation from Aimtec: AC/DC LED drivers that operate at a bone-chilling **-55 °C**

Indoor and outdoor applications, all weather conditions

Drive a single LED or multiple strings of LEDs

Constant current and constant voltage

Step up and step down converters

Three dimming models and low flicker options

Power factor correction (PFC)

Available with IP67/IP68 submersible ratings



AMLDP-Z DIP8



AMLDV-NZ SMD



AMEPR8D-1840AZ

DC/DC LED Drivers Constant Current (non-isolated)

SERIES	INPUT (VDC)	OUTPUT CURRENT (mA)	OUTPUT VOLTAGE RANGE (VDC)	EFFICIENCY (%)	CASE	DIMMING TYPE	SAFETY
AMLB-Z	9-36	150, 250, 300, 350, 500, 600, 700, 900	14-48	90-94	2 X 1"	PWM & Analog	CE
AMLBW-Z	9-36	150, 250, 300, 350, 500, 600, 700, 900	14-48	90-94	WIRED 2 X 1"	PWM & Analog	CE
AMLDV-NZ	5.5-48	300, 350, 500, 600, 700	3.3-36	96	SMD	PWM & Analog	--
AMLD-Z	7-60	150, 250, 300, 350, 500, 600, 700, 1000	2-57	97	DIP24	PWM & Analog	CE
AMLD-RZ	9-60	300, 350, 500, 600, 700, 1000	2-56	97	DIP24	PWM & Analog	CE
AMLDW-RZ	9-60	300, 350, 500, 600, 700, 1000	2-56	97	WIRED DIP24	PWM	CE
AMLDP-Z	7-16	300, 350, 500, 600, 700, 1000	2-14	93	DIP8	PWM & Analog	CE
AMLDL-RZ	7-30	500, 600, 700	2-28	95	DIP14	PWM & Analog	CE
AMLDL-Z	7-30	300, 350, 500, 600, 700, 1000	2-28	95	DIP16	PWM & Analog	CE
AMLDLW-Z	7-30	350, 500, 700, 1000	2-28	95	WIRED DIP16	PWM & Analog	CE

AC/DC LED Drivers



5 Watt

SERIES	INPUT (VAC/Hz)	INPUT (VDC)	OUTPUT CURRENT (A)	OUTPUT VOLTAGE RANGE (VDC)	ISOLATION (VAC)	EFFICIENCY (%)	DIMMING TYPE	CASE	SAFETY
AMEPR5-AZ	90-264/47-440	130-370	0.3, 0.35, 0.36, 0.7, 1	8-16, 6-14, 5-12, 2-6, 3-5	3K	72-79	--	IP67, 1.14 x Ø1"	CE, UL



AMEPR5-AZ IP67

8 Watt

AMEPR8D-AZ	90-264/47-440	--	0.3, 0.4, 0.7	12-24, 9-18, 6-12	3K	74-76	TRIAC	IP67, 2.76 x Ø1"	--
------------	---------------	----	---------------	-------------------	----	-------	-------	------------------	----

10 Watt

AMEPR10D-AZ	90-264/47-440	--	0.2, 0.25, 0.3, 0.35, 0.64, 0.7	36-50, 30-40, 24-36, 15-30, 8-15, 5-12	3K	76-81	TRIAC	IP67, 5.3 x 1.3 x 1.2"	CE, UL
AMEPR10-Z	90-264/47-63	--	0.24, 0.29	18-26, 23-33, 30-42	3.75k	83-86	--	IP20, 3.46 x 1.54 x 0.91	CE

15 Watt

AMEPR15D-AZ	90-264/47-440	--	0.3, 0.35, 0.5, 0.7, 1	36-50, 30-48, 24-36, 12-24, 8-15	3K	79-82	TRIAC	IP67, 5.3 x 1.3 x 1.2"	CE, UL
-------------	---------------	----	------------------------	----------------------------------	----	-------	-------	------------------------	--------

16 Watt

AMEPR16-Z	90-264/47-63	--	0.29, 0.36	24-42, 30-42, 40-58	--	87-88	--	IP20, 3.68 x 1.76	CE
-----------	--------------	----	------------	---------------------	----	-------	----	-------------------	----

20 Watt

AMEPR20-Z	90-305/47-63	--	0.5	24-42	3.75K	88	--	IP20, 3.68 x 1.76"	CE
-----------	--------------	----	-----	-------	-------	----	----	--------------------	----

25 Watt

AMEPR25D-AZ	90-264/47-440	--	1	9-24	3K	80-83	TRIAC	IP67, 5.3 x 1.3 x 1.2"	--
-------------	---------------	----	---	------	----	-------	-------	------------------------	----



AMEPR30D-AZ IP67, IP20



AMEPR16-Z, IP20

30 Watt

SERIES	INPUT (VAC/Hz)	INPUT (VDC)	OUTPUT CURRENT (A)	OUTPUT VOLTAGE RANGE (VDC)	ISOLATION (VAC)	EFFICIENCY (%)	DIMMING TYPE	CASE	SAFETY
AMEPR30D-AZ	90-264/47-440	--	0.7, 1, 1.25, 1.4, 2	24-36, 12-24, 8-15	3K	80-87	TRIAC	IP67, 5.3 x 1.3 x 1.2"	CE, UL
AMEOR30-AZ	90-305/47-440	130-430	0.64, 0.7, 1, 1.4, 2.5	36-50, 36-48, 24-36, 12-24, 5-12	3K	83-86	Resistive	5.8 x 2 x 1.3"	CE, UL
AMEOR30C-AZ	90-305/47-440	130-430	0.64, 0.7, 1, 1.4, 2.5	36-50, 36-48, 24-36, 12-24, 5-12	3K	80-83	Resistive, PWM & 0-10 VDC	5.8 x 2 x 1.3"	CE, UL
AMEPR30-AZ	90-305/47-440	130-430	0.64, 0.7, 1, 1.4, 2.5	36-50, 36-48, 24-36, 12-24, 5-12	3K	83-86	Resistive	IP68, 5.4 x 2.4 x 1.6"	CE, UL
AMEPR30C-AZ	90-305/47-440	130-430	0.64, 0.7, 1, 1.4, 2.5	36-50, 36-48, 24-36, 12-24, 5-12	3K	80-83	Resistive, PWM & 0-10 VDC	IP68, 5.4 x 2.4 x 1.6"	CE, UL
AMEPR30NC-Z	90-305/47-63	--	0.5, 0.6, 0.7	24-42	--	79-81	Resistive, PWM & 0-10V	IP62, 6.61 x 1.85	--
AMEPR30-Z	90-264/47-63	--	0.5, 0.6, 0.7	28-42, 30-42	--	88-89	--	IP20, 4.33 x 1.65	CE, UL
AMEPR30N-Z	90-305/47-63	--	0.5, 0.6, 0.7	24-42	--	79-81	--	IP67, 6.61 x 1.85	--

40 Watt

AMER40-Z	90-305/47-63	--	0.75, 0.9	30-42	--	89	--	IP65/IP67, 6.5 x 1.91"	--
AMEPR40-Z	90-264/47-63	--	0.4, 1	30-42, 80-100	--	88	--	IP20, 5.71 x 1.89"	--
AMEPR40N-Z	90-305/47-63	--	0.8, 0.85, 0.9, 1	24-42	--	82-84	--	IP62, 6.61 x 1.85"	--
AMER40N-Z	90-305/47-63	--	0.75, 0.9	30-42	--	86-87	--	IP65/IP67, 7.36 x 1.91"	CE

50 Watt

AMER50-Z	90-305/47-63	--	1.05, 1.2	30-42	--	89-90	--	IP65/IP67, 6.89 x 1.91"	--
AMEQR50N-Z	90-305/47-63	--	1	36-50	--	88	--	IP65/IP67, 4.88 x 3.57"	--
AMEPR50N-Z	90-264/47-63	--	1, 1.05, 1.15	30-42	--	87	--	IP67, 6.3 x 1.73"	--
AMER50N-Z	90-305/47-63	--	1.05, 1.2	30-42	--	87-88	--	IP65/IP67, 7.36 x 1.91	CE

AC/DC LED Drivers

60 Watt

SERIES	INPUT (VAC/Hz)	INPUT (VDC)	OUTPUT CURRENT (A)	OUTPUT VOLTAGE RANGE (VDC)	ISOLATION (VAC)	EFFICIENCY (%)	DIMMING TYPE	CASE	SAFETY
AMER60-Z	90-305/47-63	--	1.3, 1.4, 1.5, 1.6	24-42	--	89-90	--	IP65/IP67, 6.89 x 1.91	--
AMER60N-Z	90-305/47-63	--	1.3, 1.4, 1.5, 1.6	24-42	--	87-88	--	IP65, IP67, 7.36 x 1.91	--
AMEPR60N-Z	90-264/47-63	--	1.4	24-42	--	86	--	IP54, 6.3 x 1.73	CE
AMEOR60-AZ	90-305/47-440	130-430	1.2, 1.66, 2.5, 5	36-50, 12-24, 24-36, 5-12	3K	85-89	Resistive	5.8 x 2 x 1.3"	CE, UL
AMEOR60C-AZ	90-305/47-440	130-430	1.2, 1.66, 2.5, 5	36-50, 12-24, 24-36, 5-12	3K	85-89	Resistive, PWM & 0-10 VDC	5.8 x 2 x 1.3"	CE, UL
AMEPR60-AZ	90-305/47-440	130-430	1.2, 1.66, 2.5, 5	36-50, 12-24, 24-36, 5-12	3K	82-89	Resistive	IP68, 5.4 x 2.4 x 1.6"	CE, UL
AMEPR60C-AZ	90-305/47-440	130-430	1.2, 1.66, 2.5, 5	36-50, 12-24, 24-36, 5-12	3K	85-89	Resistive, PWM & 0-10 VDC	IP68, 5.4 x 2.4 x 1.6"	CE, UL
AMER60-12VC	90-295/47-63	--	5	12	--	88	--	IP66 & 68 6.9 x 1.9 x 1.3"	CE

70 Watt

AMEQR70N-Z	90-305/47-63	--	1.4	36-50	3.75k	88	--	IP67, 4.88 x 3.57 x 1.75	CE
------------	--------------	----	-----	-------	-------	----	----	--------------------------	----

72 Watt

AMER72N-24300Z	90-305/47-63	--	3	12-24	3.75k	87	--	IP67, 41.91 x 1.31 x 7.36	CE
----------------	--------------	----	---	-------	-------	----	----	---------------------------	----

90 Watt

AMER90-Z	90-305/47-63	--	1.6-2	24-42, 40-56	--	90	--	IP67, 6.93 x 2.7	CE, UL
AMER90C-Z	90-305/47-63	--	1.2	35-70	--	90-91	--	IP65/IP67, 6.93 x 2.7	--

120 Watt

SERIES	INPUT (VAC/Hz)	INPUT (VDC)	OUTPUT CURRENT (A)	OUTPUT VOLTAGE RANGE (VDC)	ISOLATION (VAC)	EFFICIENCY (%)	DIMMING TYPE	CASE	SAFETY
AMER120C-Z	90-305/47-63		1.7	35-70		90, 91		IP65/IP67, 6.93 x 2.7	
AMER120-Z	90-305/47-63		2.5, 3	24-42		87, 88		IP65/IP67, 6.93 x 2.7	CE

130 Watt

AMER130-Z	90-305/47-63	--	2.4	35-55	--	92	--	IP65/IP67, 9.02 x 2.68	CE
-----------	--------------	----	-----	-------	----	----	----	------------------------	----

160 Watt

AMER160-Z	90-305/47-63	--	2.9, 3.2, 3.4	15-48, 30-55	--	92	--	IP65/IP67, 9.02 x 2.68	CE
-----------	--------------	----	---------------	--------------	----	----	----	------------------------	----

175 Watt

AMER175-Z	90-305/47-63	--	3.6	15-48	--	92	--	IP65/IP67, 9.02 x 2.68	CE
-----------	--------------	----	-----	-------	----	----	----	------------------------	----

250 Watt

AMER250C-Z	90-305/47-63	--	3, 5, 6, 10	12-24, 21-42	--	90-91	--	IP65/IP67, 9.66 x 2.7	CE
------------	--------------	----	-------------	--------------	----	-------	----	-----------------------	----



AMEQR50N-Z, IP67,
No flicker, Unique form factor



AMER250C-Z, IP67, Dimming



EMC Filters



A product class designed to offer the best EMC compliance and help your product get to market faster.



Wide input range: 90-305VAC, 47-63Hz

Operating temperature: -40 °C to 80 °C

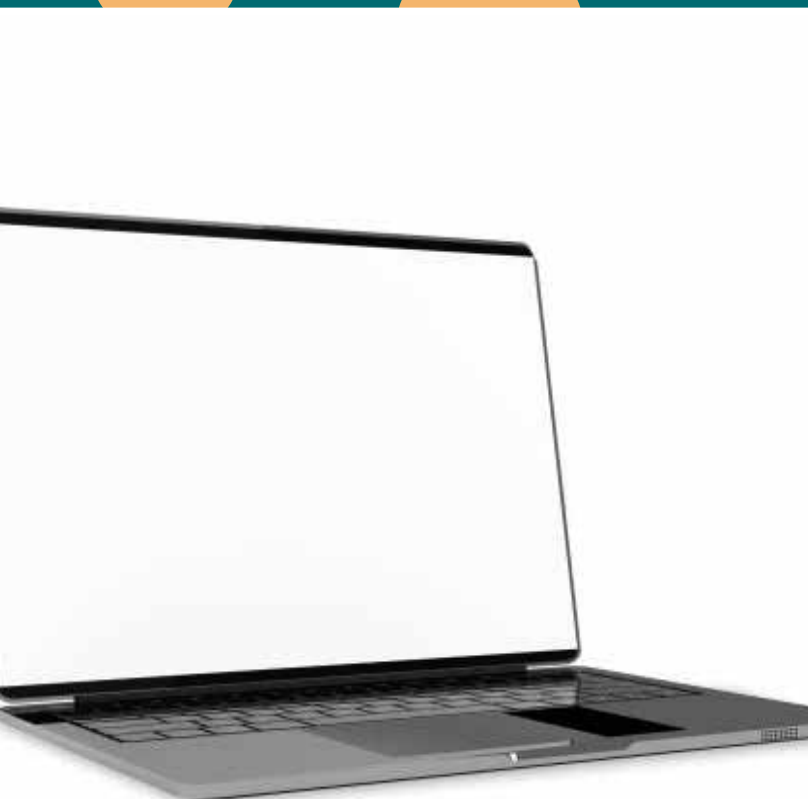
Mounting: PCB mounting, Chassis mounting with screw terminal, DIN-RAIL mounting

EMC Filters

Series	Temp Range (°C)	Active/Passive	Input Voltage Range	Max Output Current (A)	Output Voltage Range	EMC Compliance	Package
AMFW40-JZ	-40 to +85	Passive	0 - 80VDC	3	-	CISPR32/EN55032 Class B	1 x 1"
AMFW24-JZ	-40 to +85	Passive	9 - 36VDC	1	-	CISPR32/EN55032 Class B	Encapsulated
AMFE305150	-40 to +85	Passive	85 - 305VAC	1.5	-	CISPR32/EN55032 Class B	Encapsulated
AMFE30503	-40 to +85	Passive	85 - 305VAC	0.3	-	CISPR32/EN55032 Class B	Encapsulated
AMFW40FT-JZ	-40 to +85	Passive	0 - 80VDC	1.5	-	-	Encapsulated
AMFW24-NZ	-40 to +85	Active	18-36VDC	75	82	CISPR32/EN55032 Class B	Encapsulated
AMFW48-NZ	-40 to +85	Active	18 - 75VDC	30	82	CISPR32/EN55032 Class B	Encapsulated
AMFW48-JZ	-40 to +85	Passive	18-75VDC	1	-	CISPR32/EN55032 Class B	Encapsulated
AMF48-NZ	-40 to +85	Active	36 - 76VDC	-	-	-	Encapsulated
AMF24-NZ	-40 to +85	Active	10 - 36VDC	-	39	CISPR32/EN55032 Class B	Encapsulated
AMFW72-NZ	-40 to +85	Active	40 - 160VDC	-	165	CISPR32/EN55032 Class B	Encapsulated
AMFW110-NZ	-40 to +85	Active	66 - 160VDC	-	165	CISPR32/EN55032 Class B	Encapsulated
AMFC-NZ	-25 to +105	Passive	0 - 2000VDC	3	-	-	Open Frame



Adapters

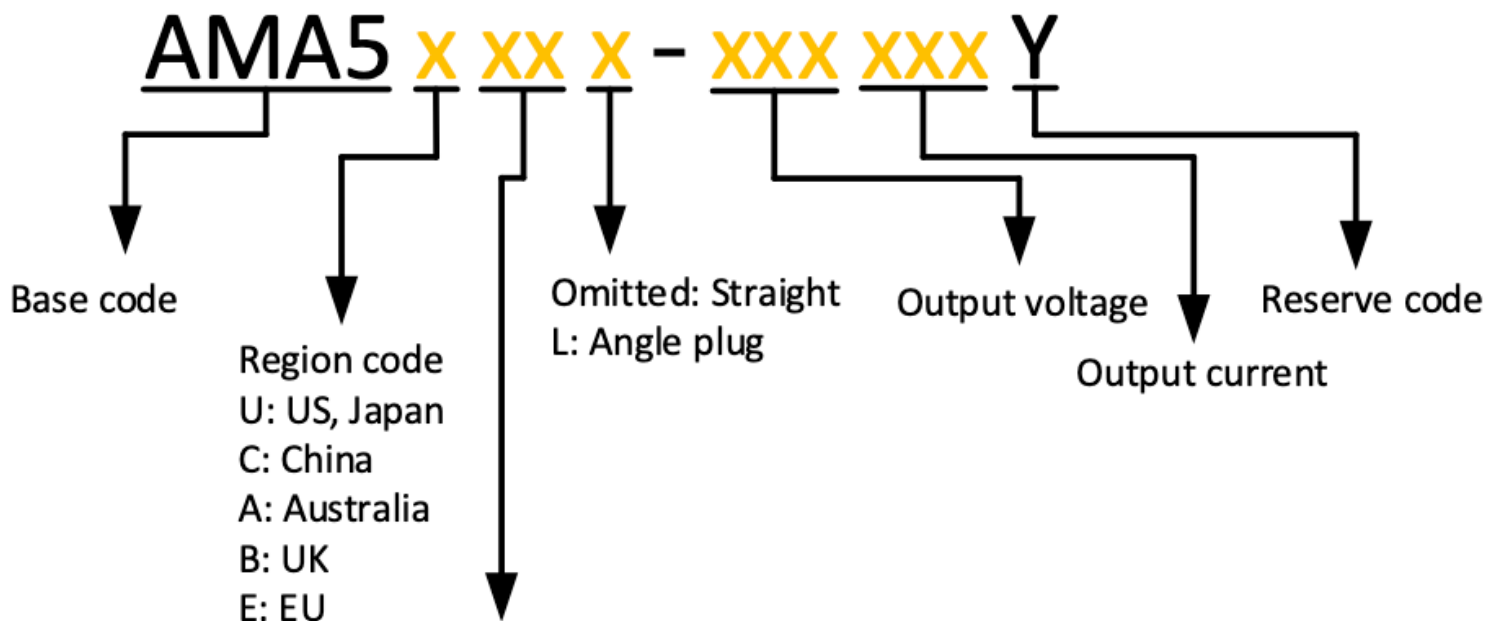


Customers will now benefit from a whole new product class expanding Aimtec's overall portfolio breadth.

Multiple Output plugs

Series	Code	Outer Diameter	Inner Diameter	Length
Standard	R1	3.5mm	1.35mm	9.5mm
	R2	3.8mm	1.05mm	9.5mm
	R3	3.8mm	1.35mm	9.5mm
	R4	5.5mm	2.1mm	9.5mm
	R5	5.5mm	2.5mm	9.5mm
Locking	K1	5.5mm	2.1mm	9.5mm
	K2	5.5mm	2.5mm	9.5mm

Nomenclature



Adapters

Wall Mount Adaptors

Series	Output Power (W)	Input Voltage (VAC)	Output Voltage (VDC)	Max Output Current (A)	Isolation (VAC)	Operating Temperature (°C)	Certifications
AMA5-Y	5	90-264	5, 12	0.5, 1	3000	0 to +40	EAC, UL, CE, EMC, FCC
AMA12-Y	12	90-264	5, 12	1, 2	3000	0 to +40	EAC, UL, CE, EMC, FCC
AMA12-MY	12	90-264	12	1	3000	0 to +40	EAC
AMA18X-Y	18	90-264	12	1.5	3000	0 to +40	EAC, UL, CE, EMC, FCC
AMA24-Y	24	90-264	5, 12, 24	0.75, 1.5, 2, 3	3000	0 to +40	EAC, UL, CE, EMC, FCC
AMA36-Y	36	90-264	12	2.5, 3	3000	0 to +40	EAC, UL, CE, EMC, FCC
AMA40-Y	40	90-264	12	3.34	3000	0 to +40	EAC, UL, CE, EMC, FCC
AMA65-Y	65	90-264	12, 19, 24	2, 3.42, 5	3000	0 to +40	EAC, UL, CE, EMC, FCC

Desktop Adaptors

Series	Output Power (W)	Input Voltage (VAC)	Output Voltage (VDC)	Max Output Current (A)	Isolation (VAC)	Operating Temperature (°C)	Certifications
AMA24D-Y	24	90-260	12, 15	1, 1.5, 2	3000	0 to +40	EAC, UL, CE, EMC, FCC
AMA36D-Y	36	90-264	12	2.5, 3	3000	0 to +40	EAC, UL, CE, EMC, FCC
AMA40D-Y	40	90-264	12	3.34	3000	0 to +40	EAC, UL, CE, EMC, FCC
AMA65D-Y	65	90-264	12, 19	3.4, 5.4	3000	0 to +40	EAC, UL, CE, EMC, FCC
AMA90D-Y	90	90-264	12, 19, 24	3.75, 4.7, 7.5	3000	0 to +40	EAC, UL, CE, EMC, FCC
AMA120D-Y	120	90-264	12, 19	6.3, 10	3000	0 to +40	EAC, UL, CE, EMC, FCC

Output Plug Types



Locking



USB Type C



Right Angle



Micro USB

Adapter Types



Desktop - Locking



Wall Mount - Regular



What makes Aimtec different...

We design and manufacture unique products with distinctive features such as our AC/DC converters with an ultra-wide input range of **90-528VAC** to our DC/DC **Photovoltaic Series** featuring 100-1000, 200-1200 and 150-1500VDC input ranges.

Our product line ranges from 1/4Watt to 250Watt, over **30 package types**, and includes one of the industry's largest selections within the **1 to 3** Watt range.

Our AC/DC, DC/DC **LED Drivers** operate in constant current or constant voltage mode at a bone chilling **-55 °C**.

Many of our products carry CE and UL certifications and feature an extended operating temperature range of up to 105 to 125 °C, with some reaching cold start temperature as low as -55 °C.

We provide outstanding technical and client **support** worldwide – in several languages – always within 24 hrs.

Aimtec's strong corporate culture is based on a unique mixture of technical vision, innovation and a strong commitment to **surpassing** our clients' expectations.

Value

Delivering products that provide exceptional performance and reliability at very affordable prices is how Aimtec defines its value proposition. Aimtec's power supplies are designed and manufactured to perform, period. The company **guarantees** the performance and reliability of its AC/DC and DC/DC converters with a three year manufacturer's warranty and a number of its LED drivers with a five year manufacturer's warranty.

Selection

With one of the widest selections of low-to-mid range power converters from 0.25 Watts to 250 Watts, Aimtec offers one of the **industry's largest** product offerings within the 1 Watt to 3 Watt range.

Lead Time

With competitive lead times complimented by a global network of **stocking distributors** who fulfill sample quantities for most models, Aimtec offers one of the shortest lead times in the industry.

Design

The depth and expertise of Aimtec's electronic design capabilities allow it to deliver highly integrated power supplies that provide energy efficient, cost-effective solutions for a multitude of applications. Aimtec's power converters are renowned for being reliable, robust products that are best in their class for their technical parameters and their **quality/cost ratio** and for exceeding industry norms in terms of features, performance, safety standards and power density.

Support

Aimtec works with a distribution network in over 102 regions **worldwide** to better support and service its clients' individual needs.



205 rue Joseph Carrier
Vaudreuil-Dorion, Quebec, J7V 5V5 Canada
Tel: +1-514-620-2722
Fax: +1-450-510-9532
Toll Free: 1-888-9-Aimtec (924-6832) North America Only
info@aimtec.com

www.aimtec.com

Aimtec products are available through a global network of local and regional distributors and representatives.

Your Power Partner

