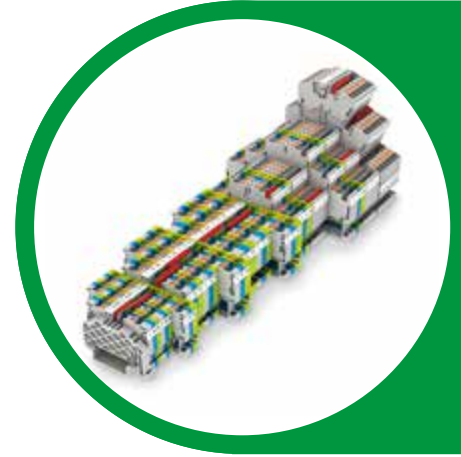


CONTA-CONNECT

Terminal blocks with
Push-in connection system



Catalogue 01

Contents

CONTA-CLIP: 3 thinking ahead for connection systems	Fuse-disconnect terminals FSIK 52
Advantage online: 4 the CONTA-CLIP Online Catalogue	Disconnect-blade 54 terminals Disconnect terminals Fused-disconnect terminals FTRK
Globally available for you 5	Three-wire functional terminals 60 FDLI
A complete line of products to 6 meet your demands The CONTA-CLIP Catalogues	Installation feed-through 64 terminals FRKI Protective-earth terminals FSLI Neutral disconnect terminals FNT
Push-in connection system 8 PRK PSL	Three-wire installation terminals 70 FDLIS
Feed-through terminals PRK 12 Protective-earth terminals PSL	Initiator terminals FIK 76
Double-level terminal blocks 24 PRKD Double-level PE terminal PRKD	Overview of specific 78 accessories: End plates Cross-connections Labelling adapter Test plug
Three-level terminal blocks 28 PIKD	Overview of general 98 accessories: Din rails End stops, End hold- ers Group marker holders Touch-safe protection Screw- ing tools Terminal markers
Motor-connection terminal 32 PVMAK	
Push-in connection system 34 FRK FSL	
Feed-through terminals FRK 38 Protective earth terminals FSL	
Double-level terminal blocks 44 FRKD Double-level PE terminal FSLD	



CONTA-CLIP: thinking ahead for connection systems

CONTA-CLIP was founded in 1978. We operate globally as an owner-operated medium-sized company.

Users of electrical and electronic connection systems rely on our reliable products and our many years of industrial and global market expertise.

Our company is now one of the most important manufacturers in the field.

For over 40 years, our components and solutions have been used in various process and industrial automation applications, including: railway technology, materials handling, building automation, air conditioning, mechanical and facility engineering, measurement and control technology, control panel construction, shipbuilding, transformer construction and environmental technology.

Over the years, we have evolved into an innovator that sets the tone with new ideas and creative impulses.

Our employees come from a wide variety of industries and view themselves as true connectivity specialists. They understand the specific problems, requirements and challenges of our customers. This results in communication among equals.

The profits then flow into the development of new products as well as into modern, efficient manufacturing processes.

A high quality standard throughout all departments is our number one priority.

Our top-class products are supported by this interplay between top-class men and machinery. We have also designed our range of services to align with customer needs.

Our products are divided into six categories: CONTA-CONNECT for terminal blocks and accessories, KDS cable management systems, CONTA-ELECTRONICS for electrical and electronic switchgear cabinet components, CONTA-LABEL for marking systems, CONTA-BOX for housings, and CONTA-CON for PCB terminal blocks and connectors.

We design customer-specific solutions for electronics, provide completely assembled housings and assemblies as needed, assemble terminal blocks for series production, and quickly handle component labelling tasks.

We greet these challenges with passion and enthusiasm, because we see each customer as our partner.

CONTA-CLIP customer representatives are always ready to offer their support to the customer, because service and helpfulness are rooted deeply in our corporate philosophy.

Advantage online: the CONTA-CLIP Online Catalogue

No matter where you are, as long as you're online you can access our digital catalogue to look at our services and quickly identify suitable solutions for your requirements.

Fast results Use the full-text search, enter an order number or use the convenient "step-by-step" feature search function.

Project planning at a glance: After you've selected the products, all the master data for the materials (sales data, technical data, drawings, connection diagrams, classifications and approvals) are made available as a data sheet or export file.

Detailed inquiries about components can be sent via the shopping cart directly to our headquarters. Upon request, you will receive an e-mailed copy of your inquiry.

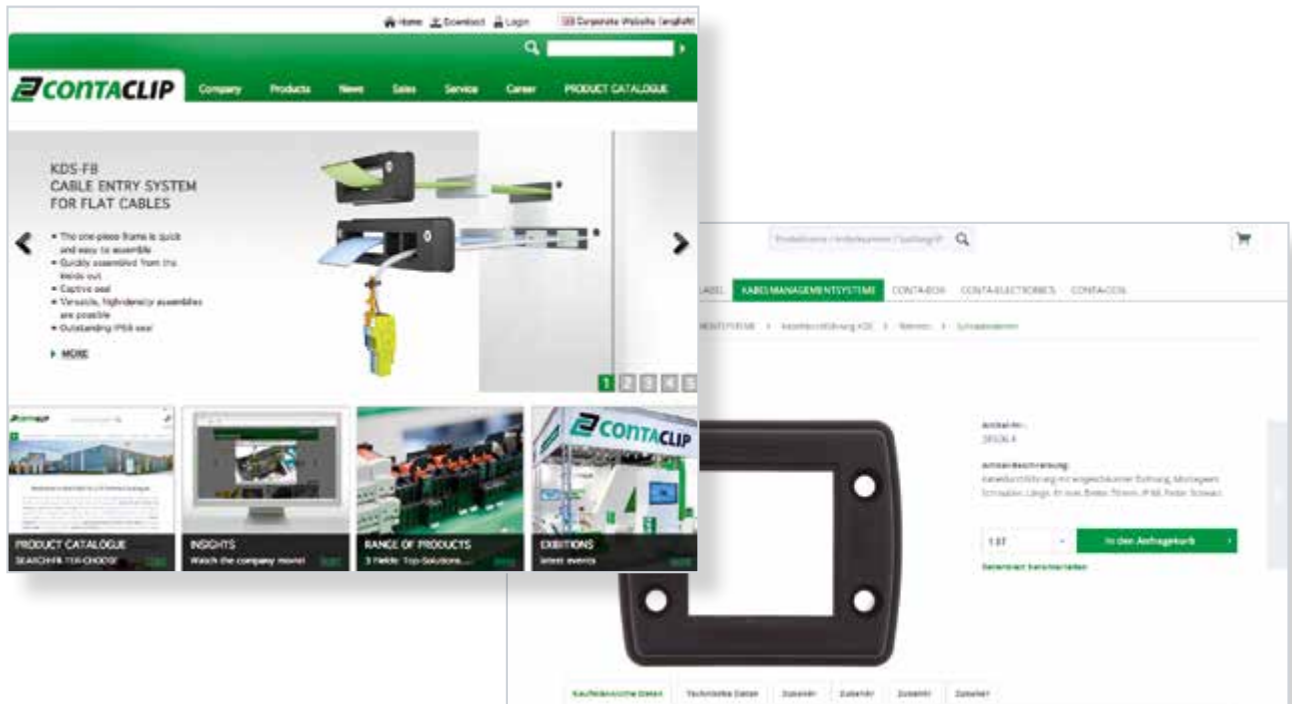
Application films: Complex functions be explained easily and clearly with sounds and images.

Printed catalogue: Would you like an offline overview? Please ask for our free printed catalogues.

Industry-specific: You will find the solutions that are relevant for your industry, according to your expertise.

Newsletter: Do you want to stay up to date? Subscribe to our newsletter! Simply register, confirm our authentication e-mail, and you'll be regularly informed about all CONTA-CLIP news.

Discover how the world of CONTA-CLIP and our website can deliver added value for you and your projects!



Globally available for you

Are you working abroad? No problem. Our worldwide sales and distribution partners help us to be globally networked and provide on-time reliable deliveries. Simply scan the QR code shown and you'll learn on our website about the sales partner responsible for your country.



Our locations in Africa

Algeria
Morocco

Our locations in Asia

Bahrain
China
Hong Kong
India
Israel
Jordan
Qatar
Malaysia
Oman
Pakistan
Saudi Arabia
Singapore
South Korea
Taiwan
Turkey
United Arab Emirates

Our locations in Oceania

Australia
New Zealand

Our locations in Europe

Belgium
Bulgaria
Denmark
Germany
Finland
France
Greece
Great Britain
Ireland
Iceland
Italy
Croatia
Latvia
Netherlands
Norway
Austria
Poland
Portugal
Romania

Russia
Sweden
Switzerland
Serbia
Slovakia
Slovenia
Spain
Czech Republic
Ukraine
Hungary
Belarus

Our locations in North America

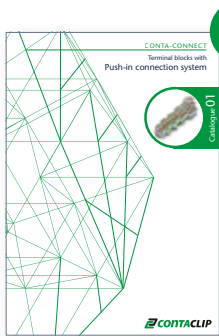
Canada
Mexico
United States

Our locations in South America

Bolivia
Brazil
Chile
Ecuador
Columbia

A complete line of products to meet your demands

The CONTA-CLIP Catalogues



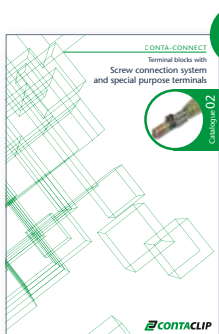
01 CONTA-CONNECT

Terminal blocks with Push-in connection system

Our wide range of innovative PRK and FRK terminal blocks with the Push-in connection system include feed-through terminals, PE terminals, disconnect terminals, fused terminals, multi-level terminals, installation terminals and initiator terminals, for conductor cross-sections from 0.2 mm² to 25 mm².



Cat. no. 98070.2



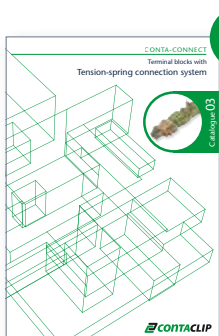
02 CONTA-CONNECT

Terminal blocks with screw connections and special terminals

Everything for classic wiring with screw connection systems (also for high currents): SRK feed-through and PE terminals, RK high-temperature variants, TK transformer terminals, HSK high-power stud terminals, SVB series screw distributor blocks, and the modular feed-through terminal systems from the SDK series.



Cat. no. 98071.2



03 CONTA-CONNECT

Terminal blocks with tension-spring connection

Our versatile line of terminals with tension spring connections for conductor cross-sections from 0.2 mm² to 16 mm² includes: the ZRK/ZSL series of feed-through and PE terminals, the double-level ZRKD/ZSLD, the ZIKD three-level terminal blocks, motor-connection terminals, (blade-) disconnect terminals, fused terminals, direct-mount terminals, and initiator/actuator terminals for transmitting positioning, encoder and alert signals.



Cat. no. 98072.2



04 CONTA-CONNECT

Installation materials and other accessories for terminal blocks

Our installation products include cabling ducts, assembly tools, cable glands with metric or PG threads, DIN rails, rail holders, rail cutters and punching tools. The terminal block accessories include different versions of end stops, wire-end ferrules, and connectors.



Cat. no. 98073.2



05 CONTA-LABEL

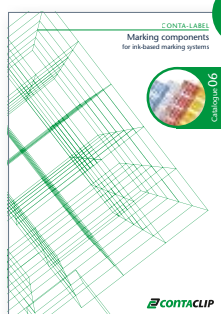
Marking components for thermal-transfer marking systems

CONTA-CLIP provides the TTPCard thermal-transfer printer and a large selection of PC, PVC and PVCF markers or labels in card format: for professional, permanent labelling of terminals, devices, conductors, cables, facilities and switchgear cabinets.



Cat. no. 98074.2

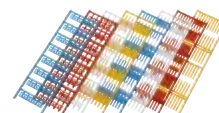
Our catalogues are available in many languages!



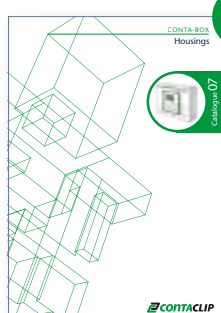
06 CONTA-LABEL

Marking components for ink-based marking systems

The CONTA-LABEL products provide polyamide markers for labelling conductors, cables, devices and facilities with ink print. These markers are available in many shapes and colours: in the classic MC Maxicard format for self-printing with the EMS plotter system EMS or other ink-jet systems, or ready-to-use customized printed in the PMC Pocket-Maxicard format.



Cat. no. 98075.2



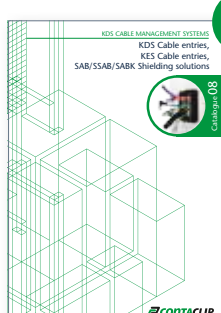
07 CONTA-BOX

Housings

Our wide variety of housings made of polystyrene, polycarbonate, polyester, ABS and aluminium deliver solutions for protecting electronic circuits, integrated devices and terminal blocks. On request, the housings can be custom-processed and assembled with our CONTA-CONNECT, CONTA-ELECTRONICS and CONTA-CON product lines.



Cat. no. 98076.2



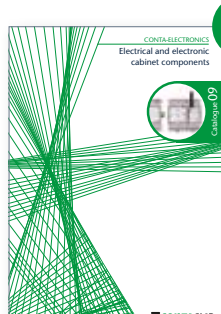
08 KDS CABLE MANAGEMENT SYSTEMS

KDS cable entries | KES cable entries | SAB|SSAB|SABK shielding solutions

The KDS and KES cable entries enable a tool-free, IP66-sealed feed-through for unassembled and assembled cables and hoses. The feed-through openings can be adapted at any time to meet your requirements. The SAB shield-connection clips can be used to provide a reliable shield contact with conductor diameters from 3 mm to 35 mm.



Cat. no. 98077.2



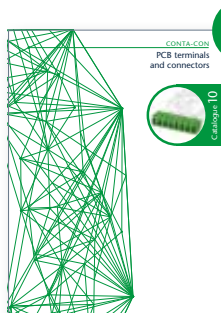
09 CONTA-ELECTRONICS

Electrical and electronic cabinet components

Our CONTA-ELECTRONICS products provide active and passive components for the transfer and conversion of analogue and digital signals at the coupling level. This product line includes power supplies, multi-function timing relays, coupling relays, digital switching modules, interface modules, opto-couplers, signal converters, GSM communication modules and much more.



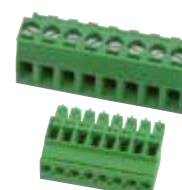
Cat. no. 98078.2



10 CONTA-CON

PCB terminals and connectors

This catalogue presents our wide variety of CONTA-CON PCB terminal blocks and connector systems. The modular components can be configured for any required number of poles; They are available in the wire connection types: wire protection, eccentric, clamping yoke, and (for demanding operating conditions) with tension-spring or Push-in wire termination.



Cat. no. 98079.2

Push-in connection system PRK | PSL



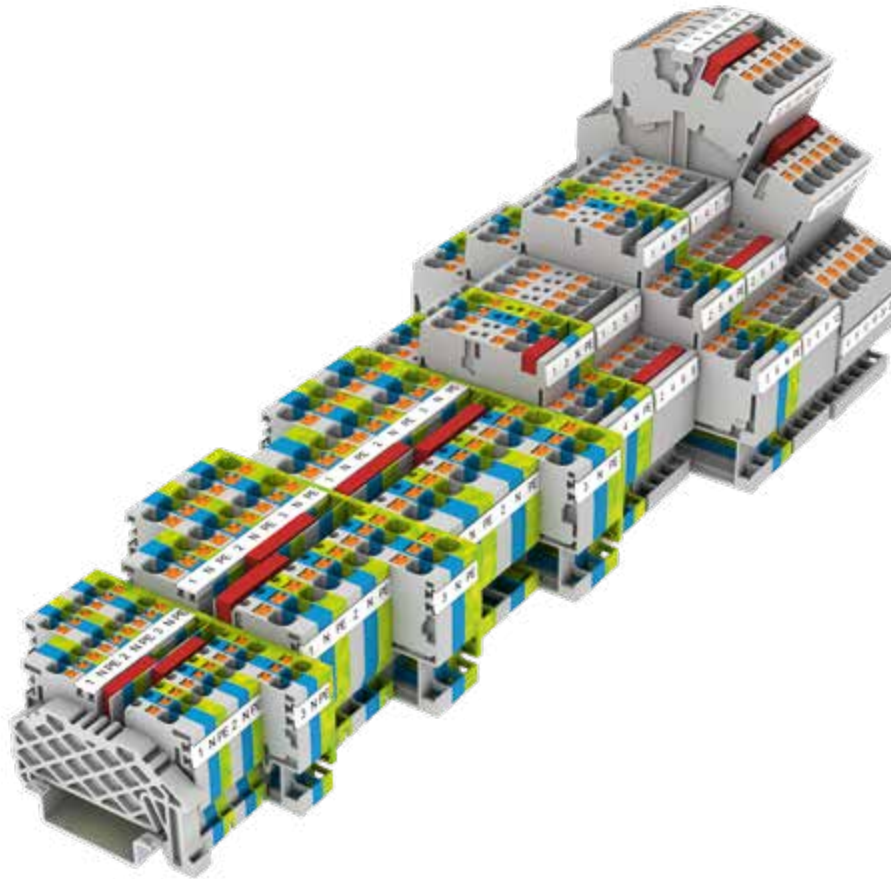
Push-in connection system

The terminal blocks **PRK** with Push-in connections feature optimisations that existing systems do not have.

Despite the high contact force of the Push-in spring, the CONTA-CLIP solution enables solid wires as well as stranded wires with wire-end ferrules to be safely terminated using less insertion force.

Opening the clamp to release the wire is done using the integrated / insulated pusher that ensures that pressing the clamping point is safe. This gives you a noticeable time advantage during the wiring process. The extremely compact terminals ensure a high current-carrying capacity, absolute secure fit and the highest level of stability. The new feed-through and protective-earth terminals are available in six cross-section

ranges from 1.5 mm² to 16 mm² in 2-, 3- and 4-wire connection variants for wire cross-sections of 0.34 mm² to 25 mm² and are therefore an optimum supplement to the proven **FRK** Push-in connection system with its extensive functional terminal product range of double-level, initiator, disconnect, fuse and installation terminals. All of the insulating materials used in these product lines are free of pollutants. They also comply with flammability class V-0 (self-extinguishing) according to UL 94.



The advantages

- Wire insertion requires no tools
- Less insertion force
- Built-in insulated pusher for disconnecting the wire
- Double cross-connect option
- Test pick-off at each potential
- PE foot contact on both sides
- Comprehensive marking options



Features

- Push-in connection system
- Feed-through and PE terminals up to 16 mm²
- Pluggable cross-connection system PQI
- Material: PA 6.6 UL 94 V-0

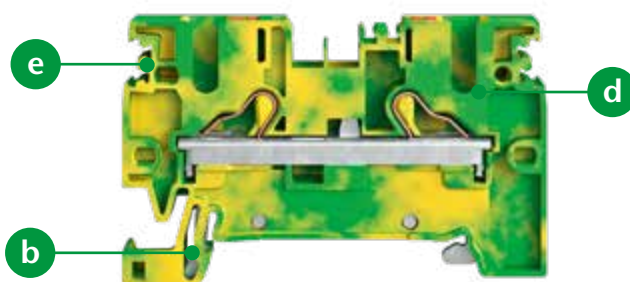
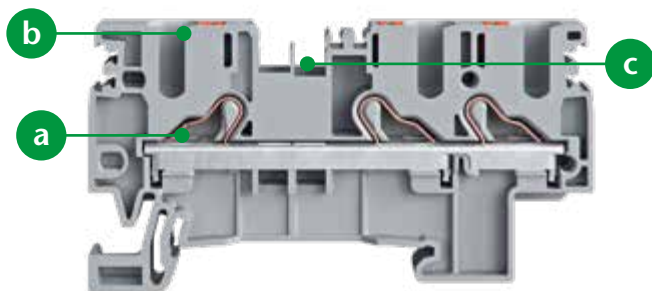
Features

a **The wire connection / contact reliability**
 The Push-in spring at the wire connection is held securely by the positioned busbar.

- The stainless steel spring provides permanent contact force between the wire and the busbar.
- Clear separation of electrical and mechanical functions.
- The busbars are made from copper with surface coating (tin)
- Resistant to vibration and maintenance-free
- Corrosion-free
- Space-saving design

b **Wiring is simple and quick – no tools needed for the Push-in connection**

- Easy to work with
- Connection without tools
- Generous wire-entry geometry
- Secure against faulty connection thanks to pushers
- Easy to operate, even under cramped working conditions, because of the TOP connection
- Saves time and money
- PE foot contacts on both sides – can be snapped on (no screws) to **TS 35x7.5** and **TS 35x15** rails.



c **Pluggable cross-connection options**
 Distributing potentials with the pluggable **PQI** cross-connection system is quick and easy. Two cross-connection channels allow two voltages to be fed across when working with the standard terminals with rated cross-sections of 1.5 mm² and 10 mm².



- Simple to insert and thus quicker to install
- No insulation plate or partition plate is required between neighbouring cross-connections, since the **PQI** has a touch-safe protective design.
- The cross-connections can carry the full rated current and rated voltage of the corresponding terminal block.
- Individual terminals can be skipped over by breaking out contact pins in the cross-connector.

d **Housing insulation material**

- Polyamide PA 6.6 UL 94, flamm. class V-0, self-extinguishing without burning drops
- Free of hazardous materials such as halogen or phosphor
- Creepage resistance: CTI 600
- Operating temperature from -40°C to +120°C

e **Marking options**
 Three marking options per clamp.
 Different labelling systems can be used

An overview of the advantages

Connection without tools

The PRK Push-in connection requires less insertion force. This makes it easy to insert solid or stranded wires with wire-end ferrules. The rated cross-sections specified in our documentation correspond to a connection with stranded wires using wire-end ferrules. It is also possible to use solid wires up to the next larger cross-section size.

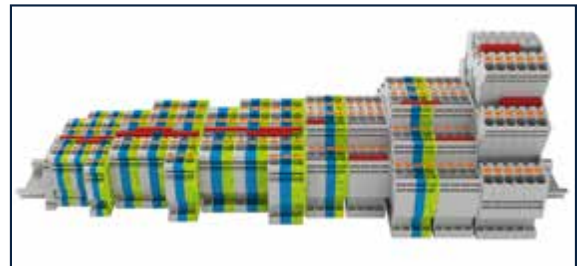


Wire connection and separating the contact

A faulty connection is avoided by colour-contrasted and insulated pushers. The Push-in spring opens automatically when the wire is inserted facilitating a secure contact with the busbar. The pusher can be pressed to open the clamp to release the wire or to insert stranded wire without ferrules.

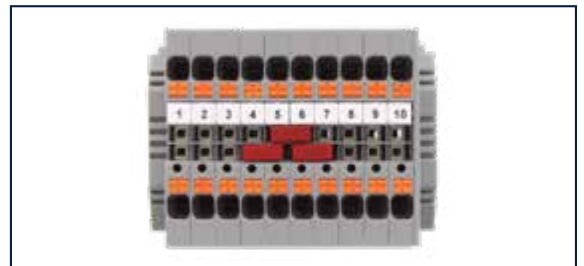
Cross-connection system

The PQI insulated cross-connections have a pluggable design and are available with 2, 3, 4, 10 and 20 poles, they cross connect up to the rated current of the relevant PIKD terminals.



Potential distribution

Using the double cross-connection channels, any number of terminals can be connected with each other using two-pole cross connectors PQI.../2.



Skip-over bridging

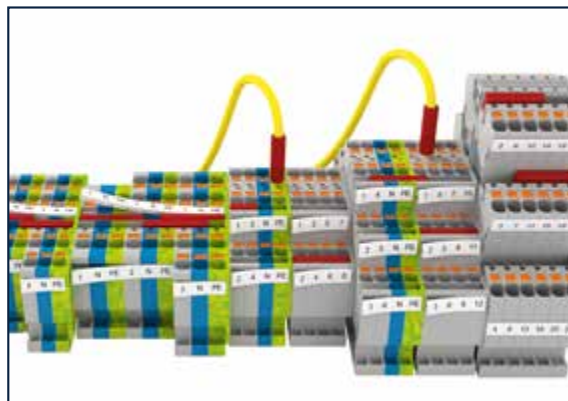
It is possible to skip over terminal blocks by breaking out individual contact poles. Separated contact elements can be labelled using the plastic insulation of the cross-connector.



An overview of the advantages

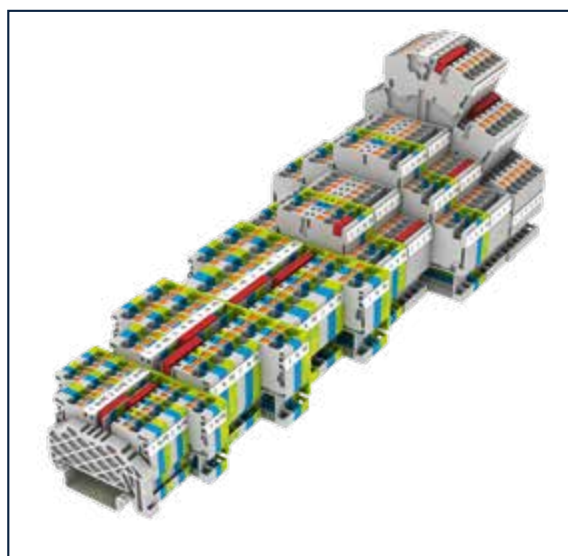
Labelling

High-quality, quick and concise labelling is possible when using the **SB**, **BSTR** and **MC** labelling systems. The standard terminals feature up to four labelling channels.



An effective and comprehensive range

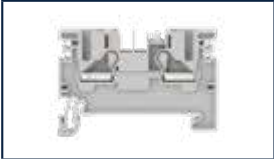

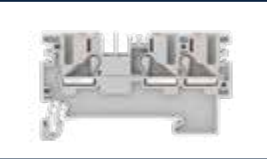



Feed-through and protective-earth terminals are available in six cross-section ranges from 1.5 mm² to 16 mm² in 2-, 3- and 4-wire connection variants for wire cross-sections of 0.34 mm² to 25 mm². The standard feed-through terminals from 1.5 mm² to 16 mm² feature two cross-connection channels. 2.5mm² double-level, three-level and motor connection terminals have been added to the product range.



A comprehensive line of accessories







- DIN rails
- Mechanical attachment | End stops
- Group marker holders
- End plates | Visual separation
- Cross-connections (potential distribution)
- Covers

Feed-through terminals PRK | Protective earth terminals PSL

Push-in connection system	PRK 1.5/2A	PSL 1.5/2A	PRK 1.5/3A
<ul style="list-style-type: none"> • Foot base can be snapped on TS 35 DIN rail • Housing made of polyamide 6.6 UL 94 V-0 			
Connection diagram			
Description	Feed-through terminal 2 connections	Protective earth terminal 2 connections	Feed-through terminal 3 connections
Connection type	Push-in	Push-in	Push-in
Size (L x W x H), mm	45 x 3.5 x 30.5	45 x 3.5 x 30.5	54.1 x 3.5 x 30.5
Size (L x W x H) with TS 35 x 7.5, mm	45 x 3.5 x 32	45 x 3.5 x 32	54.1 x 3.5 x 32
Type / colour	PRK 1.5/2A GR ●	PSL 1.5/2A GNYE ●●	PRK 1.5/3A GR ●
<i>Cat. no.</i>	27000.6	27001.2	27002.6
Qty.	50	50	50
Type / colour	PRK 1.5/2A BU ●		PRK 1.5/3A BU ●
<i>Cat. no.</i>	27000.5		27002.5
Qty.	50		50
Type / colour	PRK 1.5/2A OG ●		PRK 1.5/3A OG ●
<i>Cat. no.</i>	27000.3		27002.3
Qty.	50		50
Ratings	IEC* UL* CSA*	IEC* UL* CSA*	IEC* UL* CSA*
Rated voltage (V)	500	600	600
Rated current (A)	17,5*	15*	15*
Rated wire cross-section, mm ² / AWG	1.5 / 26–14	1.5 / 26–14	1.5 / 26–14
Rated surge voltage, kV / Contamination degree	6 / 3	6 / 3	6 / 3
Plug gauge acc. to EN 60 947-1 / Flamm. class acc. to UL 94	A1 / V-0	A1 / V-0	A1 / V-0
Connection data			
Single wire (solid) / stranded (flexible), mm ²	0.14–1.5 / -	0.14–1.5 / -	0.14–1.5 / -
Finely-stranded / finely-stranded (w/ferrules acc. to DIN 46228/1), mm ²	0.14–1.5 / 0.14–1	0.14–1.5 / 0.14–1	0.14–1.5 / 0.15–1
Clamping range, mm ²	0.14–1.5	0.14–1.5	0.14–1.5
Stripping length, mm	8–10	8–10	8–10
Features			
Material of insulated housing / Temperature range	PA 6.6 / -40 °C to +120 °C	PA 6.6 / -40 °C to +120 °C	PA 6.6 / -40 °C to +120 °C
Number of cross-connection channels / Test pick-off option	2 / 1	1 / 1	2 / 1
Accessories			
End plate PAP	PAP 1.5/2A GR	PAP 1.5/2A GN	PAP 1.5/3A GR
<i>Cat. no.</i>	27100.6	27100.1	27101.6
Qty.	20	20	20
Insulated cross-connector PQI	PQI 1.5/2 RD	PQI 1.5/2 RD	PQI 1.5/2 RD
<i>Cat. no.</i>	27122.9	27122.9	27122.9
Qty.	50	50	50
Insulated cross-connector PQI	PQI 1.5/3 RD	PQI 1.5/3 RD	PQI 1.5/3 RD
<i>Cat. no.</i>	27123.9	27123.9	27123.9
Qty.	50	50	50
Insulated cross-connector PQI	PQI 1.5/4 RD	PQI 1.5/4 RD	PQI 1.5/4 RD
<i>Cat. no.</i>	27124.9	27124.9	27124.9
Qty.	20	20	20
Insulated cross-connector PQI	PQI 1.5/10 RD	PQI 1.5/10 RD	PQI 1.5/10 RD
<i>Cat. no.</i>	27130.9	27130.9	27130.9
Qty.	10	10	10
Insulated cross-connector PQI	PQI 1.5/20 RD	PQI 1.5/20 RD	PQI 1.5/20 RD
<i>Cat. no.</i>	27131.9	27131.9	27131.9
Qty.	5	5	5
End stop ZES	ZES 35/2 GR	ZES 35/2 GR	ZES 35/2 GR
<i>Cat. no.</i>	3811.6	3811.6	3811.6
Qty.	50	50	50
Test plug PS	PS 2.3	PS 2.3	PS 2.3
<i>Cat. no.</i>	2007.0	2007.0	2007.0
Qty.	20	20	20
Screwdriver SBD	SDB 0.4x2.0	SDB 0.4x2.0	SDB 0.4x2.0
<i>Cat. no.</i>	3164.0	3164.0	3164.0
Qty.	1	1	1
Quick marking PMC SB	PC-SB 3.5x5/56 WH	PC-SB 3.5x5/56 WH	PC-SB 3.5x5/56 WH
<i>Cat. no.</i>	28350.7	28350.7	28350.7
Qty.	1120	1120	1120







PSL 1.5/3A			PRK 1.5/4A			PSL 1.5/4A		
Protective earth terminal 3 connections			Feed-through terminal 4 connections			Protective earth terminal 4 connections		
Push-in			Push-in			Push-in		
54.1 x 3.5 x 30.5			63.2 x 3.5 x 30.5			63.2 x 3.5 x 30.5		
54.1 x 3.5 x 32			63.2 x 3.5 x 32			63.2 x 3.5 x 32		
PSL 1.5/3A GNYE			PRK 1.5/4A GR			PSL 1.5/4A GNYE		
27003.2 50			27004.6 50			27005.2 50		
			PRK 1.5/4A BU					
			27004.5 50					
			PRK 1.5/4A OG					
			27004.3 50					
IEC*	UL*	CSA*	IEC*	UL*	CSA*	IEC*	UL*	CSA*
			500	600	600			
			17.5*	15*	15*			
1.5/26-14			1.5/26-14			1.5/26-14		
6/3			6/3			6/3		
A1/V-0			A1/V-0			A1/V-0		
0.14-1.5/-			0.14-1.5/-			0.14-1.5/-		
0.14-1.5/0.14-1			0.14-1.5/0.14-1			0.14-1.5/0.15-1		
0.14-1.5			0.14-1.5			0.14-1.5		
8-10			8-10			8-10		
PA 6.6 / -40 °C to +120 °C			PA 6.6 / -40 °C to +120 °C			PA 6.6 / -40 °C to +120 °C		
1/1			2/1			1/1		
PAP 1.5/3A GN			PAP 1.5/4A GR			PAP 1.5/4A GN		
27101.1 20			27102.6 20			27102.1 20		
PQI 1.5/2 RD			PQI 1.5/2 RD			PQI 1.5/2 RD		
27122.9 50			27122.9 50			27122.9 50		
PQI 1.5/3 RD			PQI 1.5/3 RD			PQI 1.5/3 RD		
27123.9 50			27123.9 50			27123.9 50		
PQI 1.5/4 RD			PQI 1.5/4 RD			PQI 1.5/4 RD		
27124.9 20			27124.9 20			27124.9 20		
PQI 1.5/10 RD			PQI 1.5/10 RD			PQI 1.5/10 RD		
27130.9 10			27130.9 10			27130.9 10		
PQI 1.5/20 RD			PQI 1.5/20 RD			PQI 1.5/20 RD		
27131.9 5			27131.9 5			27131.9 5		
ZES 35/2 GR			ZES 35/2 GR			ZES 35/2 GR		
3811.6 50			3811.6 50			3811.6 50		
PS 2.3			PS 2.3			PS 2.3		
2007.0 20			2007.0 20			2007.0 20		
SDB 0.4x2.0			SDB 0.4x2.0			SDB 0.4x2.0		
3164.0 1			3164.0 1			3164.0 1		
PC-SB 3.5x5/56 WH			PC-SB 3.5x5/56 WH			PC-SB 3.5x5/56 WH		
28350.7 1120			28350.7 1120			28350.7 1120		








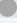



Feed-through terminals PRK | Protective earth terminals PSL

Push-in connection system	PRK 2.5/2A	PSL 2.5/2A	PRK 2.5/3A
<ul style="list-style-type: none"> • Foot base can be snapped on TS 35 DIN rail • Housing made of polyamide 6.6 UL 94 V-0 			
Connection diagram			
Description	Feed-through terminal 2 connections	Protective earth terminal 2 connections	Feed-through terminal 3 connections
Connection type	Push-in	Push-in	Push-in
Size (L x W x H), mm	48.5 x 5.1 x 35.2	48.5 x 5.1 x 35.2	60.35 x 5.1 x 35.2
Size (L x W x H) with TS 35 x 7.5, mm	48.5 x 5.1 x 36.7	48.5 x 5.1 x 36.7	60.35 x 5.1 x 36.7
Type / colour	PRK 2.5/2A GR ●	PSL 2.5/2A GNYE ●●	PRK 2.5/3A GR ●
Cat. no.	27006.6	27007.2	27008.6
Qty.	50	50	50
Type / colour	PRK 2.5/2A BU ●		PRK 2.5/3A BU ●
Cat. no.	27006.5		27008.5
Qty.	50		50
Type / colour	PRK 2.5/2A OG ●		PRK 2.5/3A OG ●
Cat. no.	27006.3		27008.3
Qty.	50		50
Ratings	IEC* UL* CSA*	IEC* UL* CSA*	IEC* UL* CSA*
Rated voltage (V)	800	600	600
Rated current (A)	28*	20*	20*
Rated wire cross-section, mm ² / AWG	4 / 26–12	4 / 26–12	4 / 26–12
Rated surge voltage, kV / Contamination degree	6 / 3	6 / 3	6 / 3
Plug gauge acc. to EN 60 947-1 / Flamm. class acc. to UL 94	A3 / V-0	A3 / V-0	A3 / V-0
Connection data			
Single wire (solid) / stranded (flexible), mm ²	0.14–4 / -	0.14–4 / -	0.14–4 / -
Finely-stranded / finely-stranded (w/ferrules acc. to DIN 46228/1), mm ²	0.14–2.5 / 0.14–2.5	0.14–2.5 / 0.14–2.5	0.14–2.5 / 0.14–2.5
Clamping range, mm ²	0.14–4	0.14–4	0.14–4
Stripping length, mm	8–10	8–10	8–10
Features			
Material of insulated housing / Temperature range	PA 6.6 / -40 °C to +120 °C	PA 6.6 / -40 °C to +120 °C	PA 6.6 / -40 °C to +120 °C
Number of cross-connection channels / Test pick-off option	2 / 1	1 / 1	2 / 1
Accessories			
End plate PAP	PAP 2.5/2A GR	PAP 2.5/2A GR	PAP 2.5/3A GR
Cat. no.	27103.6	27103.6	27104.6
Qty.	20	20	20
Insulated cross-connector PQI	PQI 2.5/2 RD	PQI 2.5/2 RD	PQI 2.5/2 RD
Cat. no.	27132.9	27132.9	27132.9
Qty.	50	50	50
Insulated cross-connector PQI	PQI 2.5/3 RD	PQI 2.5/3 RD	PQI 2.5/3 RD
Cat. no.	27133.9	27133.9	27133.9
Qty.	50	50	50
Insulated cross-connector PQI	PQI 2.5/4 RD	PQI 2.5/4 RD	PQI 2.5/4 RD
Cat. no.	27134.9	27134.9	27134.9
Qty.	20	20	20
Insulated cross-connector PQI	PQI 2.5/10 RD	PQI 2.5/10 RD	PQI 2.5/10 RD
Cat. no.	27140.9	27140.9	27140.9
Qty.	10	10	10
Insulated cross-connector PQI	PQI 2.5/20 RD	PQI 2.5/20 RD	PQI 2.5/20 RD
Cat. no.	27141.9	27141.9	27141.9
Qty.	5	5	5
End stop ZES	ZES 35/2 GR	ZES 35/2 GR	ZES 35/2 GR
Cat. no.	3811.6	3811.6	3811.6
Qty.	50	50	50
Test plug PS	PS 2.3	PS 2.3	PS 2.3
Cat. no.	2007.0	2007.0	2007.0
Qty.	20	20	20
Screwdriver SBD	SDB 0,4x2.5	SDB 0,4x2.5	SDB 0,4x2.5
Cat. no.	3169.0	3169.0	3169.0
Qty.	1	1	1
Quick marking PMC SB	PC-SB 5x5/48 WH	PC-SB 5x5/48 WH	PC-SB 5x5/48 WH
Cat. no.	28342.7	28342.7	28342.7
Qty.	960	960	960














PSL 2.5/3A			PRK 2.5/4A			PSL 2.5/4A		
Protective earth terminal 3 connections			Feed-through terminal 4 connections			Protective earth terminal 4 connections		
Push-in			Push-in			Push-in		
60.35 x 5.1 x 35.2			72.2 x 5.1 x 35.2			72.2 x 5.1 x 35.2		
60.35 x 5.1 x 36.7			72.2 x 5.1 x 36.7			72.2 x 5.1 x 36.7		
PSL 2.5/3A GNYE			PRK 2.5/4A GR			PSL 2.5/4A GNYE		
27009.2 50			27010.6 50			27011.2 50		
			PRK 2.5/4A BU					
			27010.5 50					
			PRK 2.5/4A OG					
			27010.3 50					
IEC*	UL*	CSA*	IEC*	UL*	CSA*	IEC*	UL*	CSA*
			800	600	600			
			28*	20*	20*			
4 / 26-12			4 / 26-12			1.5 / 26-14		
6 / 3			6 / 3			6 / 3		
A3 / V-0			A3 / V-0			A1 / V-0		
0.14-4 / -			0.14-4 / -			0.14-1.5 / -		
0.14-2.5 / 0.14-2.5			0.14-2.5 / 0.14-2.5			0.14-1.5 / 0.15-1		
0.14-4			0.14-4			0.14-1.5		
8-10			8-10			8-10		
PA 6.6 / -40 °C to +120 °C			PA 6.6 / -40 °C to +120 °C			PA 6.6 / -40 °C to +120 °C		
1 / 1			2 / 1			1 / 1		
PAP 2.5/3A GR			PAP 2.5/4A GR			PAP 2.5/4A GR		
27104.6 20			27105.6 20			27105.6 20		
PQI 2.5/2 RD			PQI 2.5/2 RD			PQI 2.5/2 RD		
27132.9 50			27132.9 50			27132.9 50		
PQI 2.5/3 RD			PQI 2.5/3 RD			PQI 2.5/3 RD		
27133.9 50			27133.9 50			27133.9 50		
PQI 2.5/4 RD			PQI 2.5/4 RD			PQI 2.5/4 RD		
27134.9 20			27134.9 20			27134.9 20		
PQI 2.5/10 RD			PQI 2.5/10 RD			PQI 2.5/10 RD		
27140.9 10			27140.9 10			27140.9 10		
PQI 2.5/20 RD			PQI 2.5/20 RD			PQI 2.5/20 RD		
27141.9 5			27141.9 5			27141.9 5		
ZES 35/2 GR			ZES 35/2 GR			ZES 35/2 GR		
3811.6 50			3811.6 50			3811.6 50		
PS 2.3			PS 2.3			PS 2.3		
2007.0 20			2007.0 20			2007.0 20		
SDB 0,4x2.5			SDB 0,4x2.5			SDB 0,4x2.5		
3169.0 1			3169.0 1			3169.0 1		
PC-SB 5x5/48 WH			PC-SB 5x5/48 WH			PC-SB 5x5/48 WH		
28342.7 960			28342.7 960			28342.7 960		

Feed-through terminals PRK | Protective earth terminals PSL

Push-in connection system	PRK 4/2A	PSL 4/2A	PRK 4/3A
<ul style="list-style-type: none"> • Foot base can be snapped on TS 35 DIN rail • Housing made of polyamide 6.6 UL 94 V-0 			
Connection diagram			
Description	Feed-through terminal 2 connections	Protective earth terminal 2 connections	Feed-through terminal 3 connections
Connection type	Push-in	Push-in	Push-in
Size (L x W x H), mm	56 x 6.1 x 35.2	56 x 6.1 x 35.2	66.5 x 6.1 x 35.2
Size (L x W x H) with TS 35 x 7.5, mm	56 x 6.1 x 36.7	56 x 6.1 x 36.7	66.5 x 6.1 x 36.7
Type / colour	PRK 4/2A GR ●	PSL 4/2A GNYE ●	PRK 4/3A GR ●
<i>Cat. no.</i>	27012.6	27013.2	27014.6
Qty.	50	50	50
Type / colour	PRK 4/2A BU ●		PRK 4/3A BU ●
<i>Cat. no.</i>	27012.5		27014.5
Qty.	50		50
Type / colour	PRK 4/2A OG ●		PRK 4/3A OG ●
<i>Cat. no.</i>	27012.3		27014.3
Qty.	50		50
Ratings	IEC* UL* CSA*	IEC* UL* CSA*	IEC* UL* CSA*
Rated voltage (V)	800	600	600
Rated current (A)	32*	30*	30*
Rated wire cross-section, mm ² / AWG	4/24-12	4/24-12	4/24-12
Rated surge voltage, kV / Contamination degree	8/3	8/3	8/3
Plug gauge acc. to EN 60 947-1 / Flamm. class acc. to UL 94	A4/V-0	A4/V-0	A4/V-0
Connection data			
Single wire (solid) / stranded (flexible), mm ²	0.2-6/-	0.2-6/-	0.2-6/-
Finely-stranded / finely-stranded (w/ferrules acc. to DIN 46228/1), mm ²	0.2-4/0.25-4	0.2-4/0.25-4	0.2-4/0.25-4
Clamping range, mm ²	0.2-4	0.2-4	0.2-4
Stripping length, mm	12	12	12
Features			
Material of insulated housing / Temperature range	PA 6.6 / -40 °C to +120 °C	PA 6.6 / -40 °C to +120 °C	PA 6.6 / -40 °C to +120 °C
Number of cross-connection channels / Test pick-off option	2/1	1/1	2/1
Accessories			
End plate PAP	PAP 4/2A GR	PAP 4/2A GR	PAP 4/3A GR
<i>Cat. no.</i>	27106.6	27106.6	27107.6
Qty.	20	20	20
Insulated cross-connector PQI	PQI 4/2 RD	PQI 4/2 RD	PQI 4/2 RD
<i>Cat. no.</i>	27142.9	27142.9	27142.9
Qty.	50	50	50
Insulated cross-connector PQI	PQI 4/3 RD	PQI 4/3 RD	PQI 4/3 RD
<i>Cat. no.</i>	27143.9	27143.9	27143.9
Qty.	50	50	50
Insulated cross-connector PQI	PQI 4/4 RD	PQI 4/4 RD	PQI 4/4 RD
<i>Cat. no.</i>	27144.9	27144.9	27144.9
Qty.	20	20	20
Insulated cross-connector PQI	PQI 4/10 RD	PQI 4/10 RD	PQI 4/10 RD
<i>Cat. no.</i>	27150.9	27150.9	27150.9
Qty.	10	10	10
Insulated cross-connector PQI	PQI 4/20 RD	PQI 4/20 RD	PQI 4/20 RD
<i>Cat. no.</i>	27151.9	27151.9	27151.9
Qty.	5	5	5
End stop ZES	ZES 35/2 GR	ZES 35/2 GR	ZES 35/2 GR
<i>Cat. no.</i>	3811.6	3811.6	3811.6
Qty.	50	50	50
Test plug PS	PS 2.3	PS 2.3	PS 2.3
<i>Cat. no.</i>	2007.0	2007.0	2007.0
Qty.	20	20	20
Screwdriver SBD	SDB 0.5x3.0	SDB 0.5x3.0	SDB 0.5x3.0
<i>Cat. no.</i>	1085.0	1085.0	1085.0
Qty.	1	1	1
Quick marking PMC SB	PC-SB 6x5/40 WH	PC-SB 6x5/40 WH	PC-SB 6x5/40 WH
<i>Cat. no.</i>	28343.7	28343.7	28343.7
Qty.	800	800	800






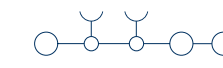
PSL 4/3A			PRK 4/4A			PSL 4/4A		
								
								
Protective earth terminal 3 connections			Feed-through terminal 4 connections			Protective earth terminal 4 connections		
Push-in			Push-in			Push-in		
66.5 x 6.1 x 35.2			77 x 6.1 x 35.2			77 x 6.1 x 35.2		
66.5 x 6.1 x 36.7			77 x 6.1 x 36.7			77 x 6.1 x 36.7		
PSL 4/3A GNYE 			PRK 4/4A GR 			PSL 4/4A GNYE 		
27015.2			27016.6			27017.2		
50			50			50		
			PRK 4/4A BU 					
			27016.5					
			PRK 4/4A OG 					
			27016.3					
IEC*			IEC*			IEC*		
UL*			UL*			UL*		
CSA*			CSA*			CSA*		
800			600			600		
32*			30*			30*		
4 / 24-12			4 / 24-12			4 / 24-12		
8 / 3			8 / 3			8 / 3		
A4 / V-0			A4 / V-0			A4 / V-0		
0.2-6/-			0.2-6/-			0.2-6/-		
0.2-4 / 0.25-4			0.2-4 / 0.25-4			0.2-4 / 0.25-4		
0.2-4			0.2-4			0.2-4		
12			12			12		
PA 6.6 / -40 °C to +120 °C			PA 6.6 / -40 °C to +120 °C			PA 6.6 / -40 °C to +120 °C		
1 / 1			2 / 1			1 / 1		
PAP 4/3A GR			PAP 4/4A GR			PAP 4/4A GR		
27107.6			27108.6			27108.6		
20			20			20		
PQI 4/2 RD			PQI 4/2 RD			PQI 4/2 RD		
27142.9			27142.9			27142.9		
50			50			50		
PQI 4/3 RD			PQI 4/3 RD			PQI 4/3 RD		
27143.9			27143.9			27143.9		
50			50			50		
PQI 4/4 RD			PQI 4/4 RD			PQI 4/4 RD		
27144.9			27144.9			27144.9		
20			20			20		
PQI 4/10 RD			PQI 4/10 RD			PQI 4/10 RD		
27150.9			27150.9			27150.9		
10			10			10		
PQI 4/20 RD			PQI 4/20 RD			PQI 4/20 RD		
27151.9			27151.9			27151.9		
5			5			5		
ZES 35/2 GR			ZES 35/2 GR			ZES 35/2 GR		
3811.6			3811.6			3811.6		
50			50			50		
PS 2.3			PS 2.3			PS 2.3		
2007.0			2007.0			2007.0		
20			20			20		
SDB 0.5x3.0			SDB 0.5x3.0			SDB 0.5x3.0		
1085.0			1085.0			1085.0		
1			1			1		
PC-SB 6x5/40 WH			PC-SB 6x5/40 WH			PC-SB 6x5/40 WH		
28343.7			28343.7			28343.7		
800			800			800		

Feed-through terminals PRK | Protective earth terminals PSL

Push-in connection system	PRK 6/2A	PSL 6/2A	PRK 6/3A
<ul style="list-style-type: none"> Foot base can be snapped on TS 35 DIN rail Housing made of polyamide 6.6 UL 94 V-0 			
Connection diagram			
Description	Feed-through terminal 2 connections	Protective earth terminal 2 connections	Feed-through terminal 3 connections
Connection type	Push-in	Push-in	Push-in
Size (L x W x H), mm	57.7 x 8.1 x 42.0	57.7 x 8.1 x 42.0	74.1 x 8.1 x 42.0
Size (L x W x H) with TS 35 x 7.5, mm	57.7 x 8.1 x 44.0	57.7 x 8.1 x 44.0	74.1 x 8.1 x 44.0
Type / colour	PRK 6/2A GR 	PSL 6/2A GNYE 	PRK 6/3A GR 
<i>Cat. no.</i>	27018.6	27019.2	27020.6
Qty.	50	50	50
Type / colour	PRK 6/2A BU 		PRK 6/3A BU 
<i>Cat. no.</i>	27018.5		27020.5
Qty.	50		50
Type / colour	PRK 6/2A OG 		PRK 6/3A OG 
<i>Cat. no.</i>	27018.3		27020.3
Qty.	50		50
Ratings	IEC* UL* CSA*	IEC* UL* CSA*	IEC* UL* CSA*
Rated voltage (V)	1000	1000	1000
Rated current (A)	52*	52*	52*
Rated wire cross-section, mm ² / AWG	6/20-8	6/20-8	6/20-8
Rated surge voltage, kV / Contamination degree	8/3	8/3	8/3
Plug gauge acc. to EN 60 947-1 / Flamm. class acc. to UL 94	A5/V-0	A5/V-0	A5/V-0
Connection data			
Single wire (solid) / stranded (flexible), mm ²	0.5-10/-	0.5-10/-	0.5-10/-
Finely-stranded / finely-stranded (w/ferrules acc. to DIN 46228/1), mm ²	0.5-6/0.5-6	0.5-6/0.5-6	0.5-6/0.5-6
Clamping range, mm ²	0.5-10	0.5-10	0.5-10
Stripping length, mm	12	12	12
Features			
Material of insulated housing / Temperature range	PA 6.6 / -40 °C to +120 °C	PA 6.6 / -40 °C to +120 °C	PA 6.6 / -40 °C to +120 °C
Number of cross-connection channels / Test pick-off option	2/1	1/1	2/1
Accessories			
End plate PAP	PAP 6/2A GR	PAP 6/2A GR	PAP 6/3A GR
<i>Cat. no.</i>	27106.6	27106.6	27110.6
Qty.	20	20	20
Insulated cross-connector PQI	PQI 6/2 RD	PQI 6/2 RD	PQI 6/2 RD
<i>Cat. no.</i>	27152.9	27152.9	27152.9
Qty.	50	50	50
Insulated cross-connector PQI	PQI 6/3 RD	PQI 6/3 RD	PQI 6/3 RD
<i>Cat. no.</i>	27153.9	27153.9	27153.9
Qty.	50	50	50
Insulated cross-connector PQI	PQI 6/4 RD	PQI 6/4 RD	PQI 6/4 RD
<i>Cat. no.</i>	27154.9	27154.9	27154.9
Qty.	20	20	20
Insulated cross-connector PQI	PQI 6/10 RD	PQI 6/10 RD	PQI 6/10 RD
<i>Cat. no.</i>	27160.9	27160.9	27160.9
Qty.	10	10	10
Insulated cross-connector PQI	PQI 6/20 RD	PQI 6/20 RD	PQI 6/20 RD
<i>Cat. no.</i>	27161.9	27161.9	27161.9
Qty.	5	5	5
End stop ZES	ZES 35 GR	ZES 35 GR	ZES 35 GR
<i>Cat. no.</i>	3748.6	3748.6	3748.6
Qty.	50	50	50
Test plug PS	PS 2.3	PS 2.3	PS 2.3
<i>Cat. no.</i>	2007.0	2007.0	2007.0
Qty.	20	20	20
Screwdriver SBD	SDB 0.5x3.0	SDB 0.5x3.0	SDB 0.5x3.0
<i>Cat. no.</i>	1085.0	1085.0	1085.0
Qty.	1	1	1
Quick marking PMC SB	PC-SB 6x5/40 WH	PC-SB 6x5/40 WH	PC-SB 6x5/40 WH
<i>Cat. no.</i>	28343.7	28343.7	28343.7
Qty.	800	800	800




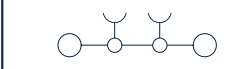

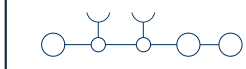
PSL 6/3A			PRK 6/4A			PSL 6/4A		
Protective earth terminal 3 connections			Feed-through terminal 4 connections			Protective earth terminal 4 connections		
Push-in			Push-in			Push-in		
74.1 x 8.1 x 42.0			90.4 x 8.1 x 42.0			90.4 x 8.1 x 42.0		
74.1 x 8.1 x 44.0			90.4 x 8.1 x 44.0			90.4 x 8.1 x 44.0		
PSL 6/3A GNYE			PRK 6/4A GR			PSL 6/4A GNYE		
27021.2			27022.6			27023.2		
50			50			50		
			PRK 6/4A BU					
			27022.5					
			PRK 6/4A OG					
			27022.3					
IEC*			IEC*			IEC*		
UL*			UL*			UL*		
CSA*			CSA*			CSA*		
1000			600			600		
52*			40*			40*		
6/20-8			6/20-8			6/20-8		
8/3			8/3			8/3		
A5/V-0			A5/V-0			A5/V-0		
0.5-10/-			0.5-10/-			0.5-10/-		
0.5-6/0.5-6			0.5-6/0.5-6			0.5-6/0.5-6		
0.5-10			0.5-10			0.5-10		
12			12			12		
PA 6.6 / -40 °C to +120 °C			PA 6.6 / -40 °C to +120 °C			PA 6.6 / -40 °C to +120 °C		
1/1			2/1			1/1		
PAP 6/3A GR			PAP 6/4A GR			PAP 6/4A GR		
27110.6			27111.6			27111.6		
20			20			20		
PQI 6/2 RD			PQI 6/2 RD			PQI 6/2 RD		
27152.9			27152.9			27152.9		
50			50			50		
PQI 6/3 RD			PQI 6/3 RD			PQI 6/3 RD		
27153.9			27153.9			27153.9		
50			50			50		
PQI 6/4 RD			PQI 6/4 RD			PQI 6/4 RD		
27154.9			27154.9			27154.9		
20			20			20		
PQI 6/10 RD			PQI 6/10 RD			PQI 6/10 RD		
27160.9			27160.9			27160.9		
10			10			10		
PQI 6/20 RD			PQI 6/20 RD			PQI 6/20 RD		
27161.9			27161.9			27161.9		
5			5			5		
ZES 35 GR			ZES 35 GR			ZES 35 GR		
3748.6			3748.6			3748.6		
50			50			50		
PS 2.3			PS 2.3			PS 2.3		
2007.0			2007.0			2007.0		
20			20			20		
SDB 0.5x3.0			SDB 0.5x3.0			SDB 0.5x3.0		
1085.0			1085.0			1085.0		
1			1			1		
PC-SB 6x5/40 WH			PC-SB 6x5/40 WH			PC-SB 6x5/40 WH		
28343.7			28343.7			28343.7		
800			800			800		

Feed-through terminals PRK | Protective earth terminals PSL

Push-in connection system	PRK 10/2A	PSL 10/2A	PRK 10/3A
<ul style="list-style-type: none"> • Foot base can be snapped on TS 35 DIN rail • Housing made of polyamide 6.6 UL 94 V-0 			
Connection diagram			
Description	Feed-through terminal 2 connections	Protective earth terminal 2 connections	Feed-through terminal 3 connections
Connection type	Push-in	Push-in	Push-in
Size (L x W x H), mm	67.8 x 10.1 x 48	67.8 x 10.1 x 48	88.9 x 10.1 x 48
Size (L x W x H) with TS 35 x 7.5, mm	67.8 x 10.1 x 49.5	67.8 x 10.1 x 49.5	88.9 x 10.1 x 49.5
Type / colour	PRK 10/2A GR ●	PSL 10/2A GNYE ●●●	PRK 10/3A GR ●
<i>Cat. no.</i>	27024.6	27025.2	27026.6
Qty.	50	50	50
Type / colour	PRK 10/2A BU ●		PRK 10/3A BU ●
<i>Cat. no.</i>	27024.5		27026.5
Qty.	50		50
Type / colour	PRK 10/2A OG ●		PRK 10/3A OG ●
<i>Cat. no.</i>	27024.3		27026.3
Qty.	50		50
Ratings	IEC* UL* CSA*	IEC* UL* CSA*	IEC* UL* CSA*
Rated voltage (V)	1000	1000	1000
Rated current (A)	70* 60*	70* 60*	70* 60*
Rated wire cross-section, mm ² / AWG	10 / 20-8	10 / 20-8	10 / 20-8
Rated surge voltage, kV / Contamination degree	8 / 3	8 / 3	8 / 3
Plug gauge acc. to EN 60 947-1 / Flamm. class acc. to UL 94	A6 / V-0	A6 / V-0	A6 / V-0
Connection data			
Single wire (solid) / stranded (flexible), mm ²	0.5-16 / 0.5-10	0.5-16 / 0.5-10	0.5-16 / 0.5-10
Finely-stranded / finely-stranded (w/ferrules acc. to DIN 46228/1), mm ²	0.5-10 / 0.5-10	0.5-10 / 0.5-10	0.5-10 / 0.5-10
Clamping range, mm ²	0.5-16	0.5-16	0.5-16
Stripping length, mm	18	18	18
Features			
Material of insulated housing / Temperature range	PA 6.6 / -40 °C to +120 °C	PA 6.6 / -40 °C to +120 °C	PA 6.6 / -40 °C to +120 °C
Number of cross-connection channels / Test pick-off option	2 / 1	1 / 1	2 / 1
Accessories			
End plate PAP	PAP 10/2A GR	PAP 10/2A GR	PAP 10/3A GR
<i>Cat. no.</i>	27112.6	27112.6	27113.6
Qty.	20	20	20
Insulated cross-connector PQI	PQI 10/2 RD	PQI 10/2 RD	PQI 10/2 RD
<i>Cat. no.</i>	27162.9	27162.9	27162.9
Qty.	50	50	50
Insulated cross-connector PQI	PQI 10/3 RD	PQI 10/3 RD	PQI 10/3 RD
<i>Cat. no.</i>	27163.9	27163.9	27163.9
Qty.	50	50	50
Insulated cross-connector PQI	PQI 10/4 RD	PQI 10/4 RD	PQI 10/4 RD
<i>Cat. no.</i>	27164.9	27164.9	27164.9
Qty.	20	20	20
Insulated cross-connector PQI	PQI 10/10 RD	PQI 10/10 RD	PQI 10/10 RD
<i>Cat. no.</i>	27170.9	27170.9	27170.9
Qty.	10	10	10
Insulated cross-connector PQI	PQI 10/20 RD	PQI 10/20 RD	PQI 10/20 RD
<i>Cat. no.</i>	27171.9	27171.9	27171.9
Qty.	5	5	5
End stop ZES	ZES 35 GR	ZES 35 GR	ZES 35 GR
<i>Cat. no.</i>	3748.6	3748.6	3748.6
Qty.	50	50	50
Test plug PS	PS 2.3	PS 2.3	PS 2.3
<i>Cat. no.</i>	2007.0	2007.0	2007.0
Qty.	20	20	20
Screwdriver SBD	SDB 0.5x3.0	SDB 0.5x3.0	SDB 0.5x3.0
<i>Cat. no.</i>	1085.0	1085.0	1085.0
Qty.	1	1	1
Quick marking PMC SB	PC-SB 6x5/40 WH	PC-SB 6x5/40 WH	PC-SB 6x5/40 WH
<i>Cat. no.</i>	28343.7	28343.7	28343.7
Qty.	800	800	800

PSL 10/3A			PRK 10/4A			PSL 10/4A		
Protective earth terminal 3 connections			Feed-through terminal 4 connections			Protective earth terminal 4 connections		
Push-in			Push-in			Push-in		
88.9 x 10.1 x 48			110 x 10.1 x 48			110 x 10.1 x 48		
88.9 x 10.1 x 49.5			110 x 10.1 x 49.5			110 x 10.1 x 49.5		
PSL 10/3A GNYE			PRK 10/4A GR			PSL 10/4A GNYE		
27027.2			27028.6			27029.2		
50			50			50		
			PRK 10/4A BU					
			27028.5					
			50					
			PRK 10/4A OG					
			27028.3					
			50					
IEC*	UL*	CSA*	IEC*	UL*	CSA*	IEC*	UL*	CSA*
			1000	600	600			
			70*	60*	60*			
10/20-8			10/20-8			10/20-8		
8/3			8/3			8/3		
A6/V-0			A6/V-0			A6/V-0		
0.5-16/0.5-10			0.5-16/0.5-10			0.5-16/0.5-10		
0.5-10/0.5-10			0.5-10/0.5-10			0.5-10/0.5-10		
0.5-16			0.5-16			0.5-16		
18			18			18		
PA 6.6 / -40 °C to +120 °C			PA 6.6 / -40 °C to +120 °C			PA 6.6 / -40 °C to +120 °C		
1/1			2/1			1/1		
PAP 10/3A GR			PAP 10/4A GR			PAP 10/4A GR		
27113.6			27114.6			27114.6		
20			20			20		
PQI 10/2 RD			PQI 10/2 RD			PQI 10/2 RD		
27162.9			27162.9			27162.9		
50			50			50		
PQI 10/3 RD			PQI 10/3 RD			PQI 10/3 RD		
27163.9			27163.9			27163.9		
50			50			50		
PQI 10/4 RD			PQI 10/4 RD			PQI 10/4 RD		
27164.9			27164.9			27164.9		
20			20			20		
PQI 10/10 RD			PQI 10/10 RD			PQI 10/10 RD		
27170.9			27170.9			27170.9		
10			10			10		
PQI 10/20 RD			PQI 10/20 RD			PQI 10/20 RD		
27171.9			27171.9			27171.9		
5			5			5		
ZES 35 GR			ZES 35 GR			ZES 35 GR		
3748.6			3748.6			3748.6		
50			50			50		
PS 2.3			PS 2.3			PS 2.3		
2007.0			2007.0			2007.0		
20			20			20		
SDB 0.5x3.0			SDB 0.5x3.0			SDB 0.5x3.0		
1085.0			1085.0			1085.0		
1			1			1		
PC-SB 6x5/40 WH			PC-SB 6x5/40 WH			PC-SB 6x5/40 WH		
28343.7			28343.7			28343.7		
800			800			800		

Feed-through terminals PRK | Protective earth terminals PSL

Push-in connection system	PRK 16/2A	PSL 16/2A	PRK 16/3A
<ul style="list-style-type: none"> • Foot base can be snapped on TS 35 DIN rail • Housing made of polyamide 6.6 UL 94 V-0 			
Connection diagram			
Description	Feed-through terminal 2 connections	Protective earth terminal 2 connections	Feed-through terminal 3 connections
Connection type	Push-in	Push-in	Push-in
Size (L x W x H), mm	75 x 12.1 x 48	75 x 12.1 x 48	100 x 12.1 x 48
Size (L x W x H) with TS 35 x 7.5, mm	75 x 12.1 x 49.5	75 x 12.1 x 49.5	100 x 12.1 x 49.5
Type / colour	PRK 16/2A GR ●	PSL 16/2A GNYE ●●●	PRK 16/3A GR ●
Cat. no.	27030.6	27031.2	27032.6
Qty.	50	50	50
Type / colour	PRK 16/2A BU ●		PRK 16/3A BU ●
Cat. no.	27030.5		27032.5
Qty.	50		50
Type / colour	PRK 16/2A OG ●		PRK 16/3A OG ●
Cat. no.	27030.3		27032.3
Qty.	50		50
Ratings	IEC* UL* CSA*	IEC* UL* CSA*	IEC* UL* CSA*
Rated voltage (V)	1000	1000	1000
Rated current (A)	85* 600	85* 600	85* 600
Rated wire cross-section, mm ² / AWG	16 / 20-6	16 / 20-6	16 / 20-6
Rated surge voltage, kV / Contamination degree	8 / 3	8 / 3	8 / 3
Plug gauge acc. to EN 60 947-1 / Flamm. class acc. to UL 94	A7 / V-0	A7 / V-0	A7 / V-0
Connection data			
Single wire (solid) / stranded (flexible), mm ²	0.5-25 / 0.5-16	0.5-25 / 0.5-16	0.5-25 / 0.5-16
Finely-stranded / finely-stranded (w/ferrules acc. to DIN 46228/1), mm ²	0.5-16 / 0.5-10	0.5-16 / 0.5-10	0.5-16 / 0.5-10
Clamping range, mm ²	0.5-25	0.5-25	0.5-25
Stripping length, mm	18	18	18
Features			
Material of insulated housing / Temperature range	PA 6.6 / -40 °C to +120 °C	PA 6.6 / -40 °C to +120 °C	PA 6.6 / -40 °C to +120 °C
Number of cross-connection channels / Test pick-off option	2 / 1	1 / 1	2 / 1
Accessories			
End plate PAP	PAP 16/2A GR	PAP 16/2A GR	PAP 16/3A GR
Cat. no.	27115.6	27115.6	27116.6
Qty.	20	20	20
Insulated cross-connector PQI	PQI 16/2 RD	PQI 16/2 RD	PQI 16/2 RD
Cat. no.	27172.9	27172.9	27172.9
Qty.	50	50	50
End stop ZES	ZES 35 GR	ZES 35 GR	ZES 35 GR
Cat. no.	3748.6	3748.6	3748.6
Qty.	50	50	50
Test plug PS	PS 2.3	PS 2.3	PS 2.3
Cat. no.	2007.0	2007.0	2007.0
Qty.	20	20	20
Screwdriver SBD	SDB 0.5x3.0	SDB 0.5x3.0	SDB 0.5x3.0
Cat. no.	1085.0	1085.0	1085.0
Qty.	1	1	1
Quick marking PMC SB	PC-SB 6x5/40 WH	PC-SB 6x5/40 WH	PC-SB 6x5/40 WH
Cat. no.	28343.7	28343.7	28343.7
Qty.	800	800	800

PSL 16/3A			PRK 16/4A			PSL 16/4A		
Protective earth terminal 3 connections			Feed-through terminal 4 connections			Protective earth terminal 4 connections		
Push-in			Push-in			Push-in		
100 x 12.1 x 48			123 x 12.1 x 48			123 x 12.1 x 48		
100 x 12.1 x 49.5			123 x 12.1 x 49.5			123 x 12.1 x 49.5		
PSL 16/3A GNYE			PRK 16/4A GR			PSL 16/4A GNYE		
27033.2			27034.6			27035.2		
50			50			50		
			PRK 16/4A BU					
			27034.5					
			PRK 16/4A OG					
			27034.3					
50			50			50		
IEC*	UL*	CSA*	IEC*	UL*	CSA*	IEC*	UL*	CSA*
			1000	600	600			
			85*	85*	85*			
16/20-6			16/20-6			16/20-6		
8/3			8/3			8/3		
A7/V-0			A7/V-0			A7/V-0		
0.5-25/0.5-16			0.5-25/0.5-16			0.5-25/0.5-16		
0.5-16/0.5-10			0.5-16/0.5-10			0.5-16/0.5-10		
0.5-25			0.5-25			0.5-25		
18			18			18		
PA 6.6 / -40 °C to +120 °C			PA 6.6 / -40 °C to +120 °C			PA 6.6 / -40 °C to +120 °C		
1/1			2/1			1/1		
PAP 16/3A GR			PAP 16/4A GR			PAP 16/4A GR		
27116.6			27117.6			27117.6		
20			20			20		
PQI 16/2 RD			PQI 16/2 RD			PQI 16/2 RD		
27172.9			27172.9			27172.9		
50			50			50		
ZES 35 GR			ZES 35 GR			ZES 35 GR		
3748.6			3748.6			3748.6		
50			50			50		
PS 2.3			PS 2.3			PS 2.3		
2007.0			2007.0			2007.0		
20			20			20		
SDB 0.5x3.0			SDB 0.5x3.0			SDB 0.5x3.0		
1085.0			1085.0			1085.0		
1			1			1		
PC-SB 6x5/40 WH			PC-SB 6x5/40 WH			PC-SB 6x5/40 WH		
28343.7			28343.7			28343.7		
800			800			800		



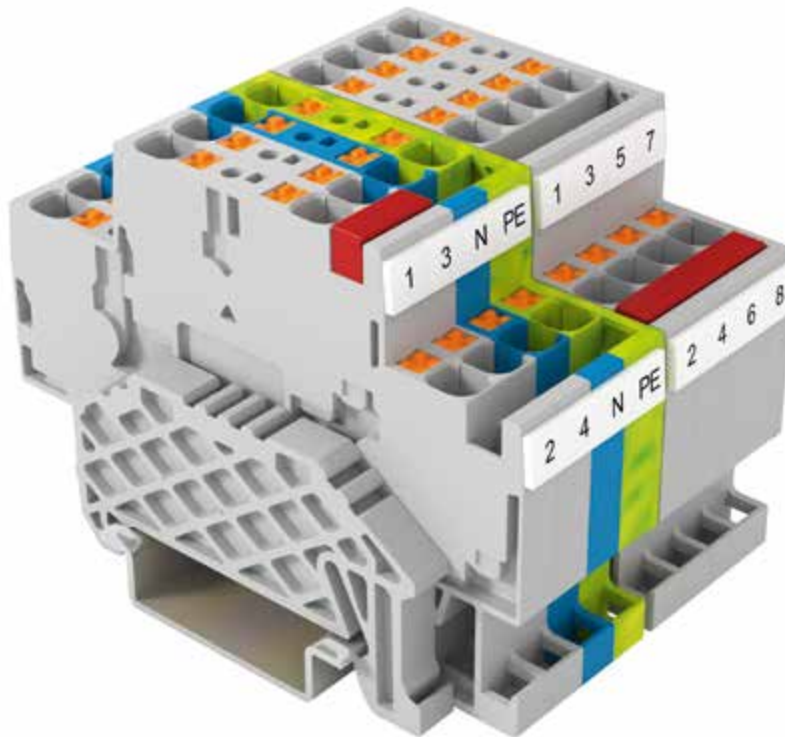
Push-in connection system

Double-level terminal blocks PRKD 2.5 | Double-level PE terminals PSLD 2.5

With a width of just 5 mm, the new **PRKD 2.5** series is available in five versions and connects with stranded or solid wires up to 4 mm² with a rated current of up to 22 A. Solid wires and flexible wires with wire-end ferrules can be inserted into the Push-in connection system without the need for tools. The Push-in spring opens automatically when the wire is inserted facilitating a secure contact with the busbar. The integrated insulated pusher can be used to open the clamp to release the wire or to insert stranded wire without ferrules.

CONTA-CLIP's PE foot, which contacts the PE potential to the DIN rail, is designed to make contact on both sides. This **CONTA-CLIP** design does use more material but it offers an advantage

in terms of additional safety and security for the PE conductor's contact. This solid, contiguous construction guarantees low contact resistance as well as the high security of the internal-spring PE contact foot. Each of the double-level terminal blocks can be equipped with the standard accessories: the **PQI 2.5** (cross connector) and the **PC SB 5** (quick marking system).



The advantages

- Wire insertion requires no tools
- Less insertion force
- Built-in insulated pusher for disconnecting the wire
- Cross-connect option at any level
- Test pick-off at each potential
- PE foot contact on both sides



Features

- Push-in connection system
- Feed-through and PE terminals up to 2.5 mm²
- Pluggable cross-connection system PQI
- Colour labelling
- Material: PA 6.6 UL 94 V-0

Features

Wire connections

Solid wires and flexible wires with wire-end ferrules can be inserted into the connection mechanism without the need for tools. A faulty connection is avoided by colour-contrasted and insulated pushers. The Push-in spring opens automatically when the wire is inserted facilitating a secure contact with the busbar. The pusher can be pressed to open the clamp to release the wire or to insert a stranded wire without ferrules. (Connection cross-section 2.5 mm², rated current 22 A)



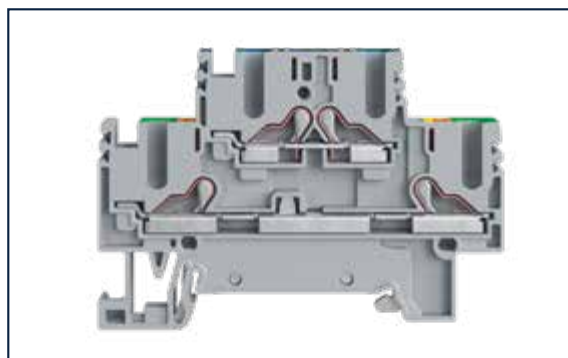
Cross-connection system

The upper and lower levels can be cross-connected using the **PQI 2.5/...** standard cross-connectors. The **PQI** insulated cross-connections have a pluggable design and are available with 2, 3, 4, 10 and 20 poles. They cross connect up to the rated current of the relevant **PRKD** terminals.



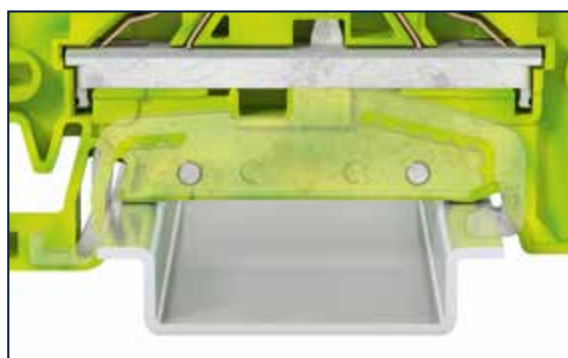
Colour labelling

The upper and lower levels are colour-coded. (e.g., **PRKD 2.5/PE/N**)




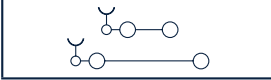




Connecting the PE foot onto the DIN rail

As with all CONTA-CLIP PE terminals, the **PSLD** terminals also implement a two-sided contact with the DIN rail. This solid, contiguous construction guarantees low contact resistance as well as high security of the internal-spring PE contact foot.



Double-level terminal blocks PRKD 2.5 | Double-level PE terminals PSLD 2.5

Push-in connection system	PRKD 2.5	PRKD 2.5/SV	PSLD 2.5
<ul style="list-style-type: none"> Foot base can be snapped on TS 35 DIN rail Housing made of polyamide 6.6 UL 94 V-0 			
Connection diagram			
Description	Feed-through terminal 2 x 2 connections	Feed-through terminal 4 connections	Protective earth terminal 4 connections
Connection type	Push-in	Push-in	Push-in
Size (L x W x H), mm	68.7 x 5.1 x 45.7	68.7 x 5.1 x 45.7	68.7 x 5.1 x 45.7
Size (L x W x H) with TS 35 x 7.5, mm	68.7 x 5.1 x 47.2	68.7 x 5.1 x 47.2	68.7 x 5.1 x 47.2
Type / colour	PRKD 2.5 GR ●	PRKD 2.5/SV GR ●	PSLD 2.5 GNYE ●
Cat. no.	27036.6	27038.6	27037.2
Qty.	50	50	50
Type / colour	PRKD 2.5 BU ●	PRKD 2.5/SV BU ●	
Cat. no.	27036.5	27038.5	
Qty.	50	50	
Type / colour	PRKD 2.5 OG ●	PRKD 2.5/SV OG ●	
Cat. no.	27036.3	27038.3	
Qty.	50	50	
Ratings	IEC* UL* CSA*	IEC* UL* CSA*	IEC* UL* CSA*
Rated voltage (V)	500 600 600	500 600 600	500 600 600
Rated current (A) / Max. current capacity (A)	22/26* 20* 20*	22/26* 20* 20*	22/26* 20* 20*
Rated cross-section, mm ² / AWG	2.5 / 26–12	2.5 / 26–12	2.5 / 26–12
Rated surge voltage, kV / Contamination degree	6 / 3	6 / 3	6 / 3
Plug gauge acc. to EN 60 947-1 / Flamm. class acc. to UL 94	A3 / V-0	A3 / V-0	A3 / V-0
Connection data			
Single wire (solid) / stranded (flexible), mm ²	0.14–4 / -	0.14–4 / -	0.14–4 / -
Finely-stranded / finely-stranded (w/ferrules acc. to DIN 46228/1), mm ²	0.14–2.5 / 0.14–2.5	0.14–2.5 / 0.14–2.5	0.14–2.5 / 0.14–2.5
Clamping range, mm ²	0.14–4	0.14–4	0.14–4
Stripping length, mm	8–10	8–10	8–10
Features			
Material of insulated housing / Temperature range	PA 6.6 / -40 °C to +120 °C	PA 6.6 / -40 °C to +120 °C	PA 6.6 / -40 °C to +120 °C
Number of cross-connection channels / Test pick-off option	2 / 2	2 / 2	2 / 2
Accessories			
End plate AP	PAPD 2.5 GR	PAPD 2.5 GR	PAPD 2.5 GR
Cat. no.	27118.6	27118.6	27118.6
Qty.	20	20	20
Insulated cross-connector PQI	PQI 2.5/2 RD	PQI 2.5/2 RD	PQI 2.5/2 RD
Cat. no.	27132.9	27132.9	27132.9
Qty.	50	50	50
Insulated cross-connector PQI	PQI 2.5/3 RD	PQI 2.5/3 RD	PQI 2.5/3 RD
Cat. no.	27133.9	27133.9	27133.9
Qty.	50	50	50
Insulated cross-connector PQI	PQI 2.5/4 RD	PQI 2.5/4 RD	PQI 2.5/4 RD
Cat. no.	27134.9	27134.9	27134.9
Qty.	20	20	20
Insulated cross-connector PQI	PQI 2.5/10 RD	PQI 2.5/10 RD	PQI 2.5/10 RD
Cat. no.	27140.9	27140.9	27140.9
Qty.	10	10	10
Insulated cross-connector PQI	PQI 2.5/20 RD	PQI 2.5/20 RD	PQI 2.5/20 RD
Cat. no.	27141.9	27141.9	27141.9
Qty.	10	10	10
End stop ZES	ZES 35/2 GR	ZES 35/2 GR	ZES 35/2 GR
Cat. no.	3811.6	3811.6	3811.6
Qty.	50	50	50
Screwdriver SDB	SDB 0.4 x 2.5	SDB 0.4 x 2.5	SDB 0.4 x 2.5
Cat. no.	3169.0	3169.0	3169.0
Qty.	1	1	1
Quick marking PC SB	PC-SB 5x5/48 WH	PC-SB 5x5/48 WH	PC-SB 5x5/48 WH
Cat. no.	28342.7	28342.7	28342.7
Qty.	960	960	960

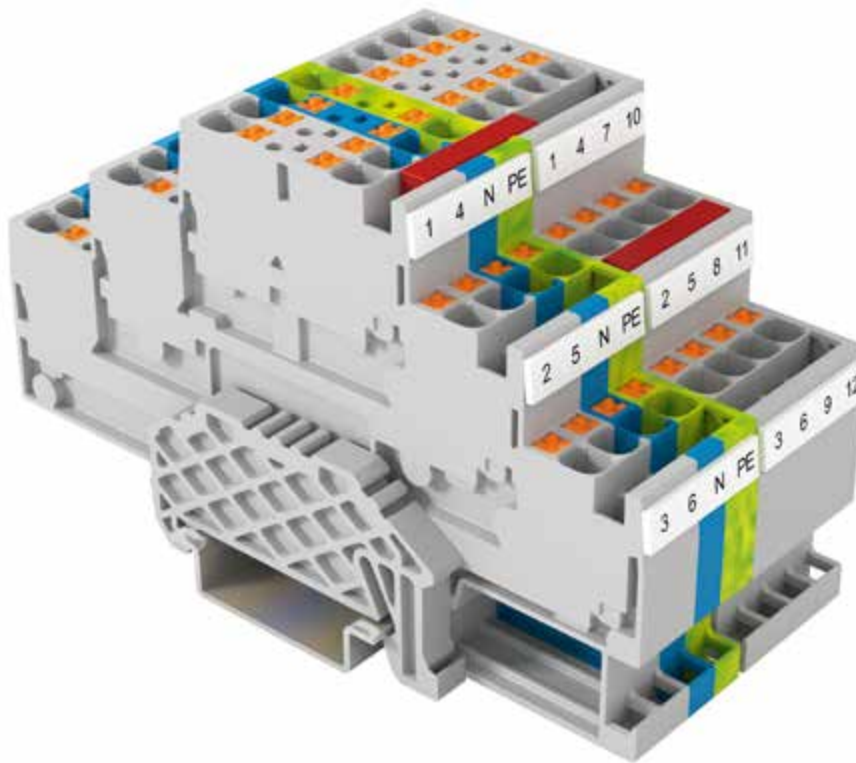
PRKD 2.5/PE/L			PRKD 2.5/PE/N		
Feed-through/PE terminal 2 x 2 connections			Feed-through/PE terminal 2 x 2 connections		
Push-in			Push-in		
68.7 x 5.1 x 45.7			68.7 x 5.1 x 45.7		
68.7 x 5.1 x 47.2			68.7 x 5.1 x 47.2		
PRKD 2.5/PE/L GR ●			PRKD 2.5/PE/N GR ●		
27051.6	50		27052.6	50	
IEC*	UL*	CSA*	IEC*	UL*	CSA*
500	600	600	500	600	600
22/26*	20*	20*	22/26*	20*	20*
2.5 / 26-12			2.5 / 26-12		
6 / 3			6 / 3		
A3 / V-0			A3 / V-0		
0.14-4 / -			0.14-4 / -		
0.14-2.5 / 0.14-2.5			0.14-2.5 / 0.14-2.5		
0.14-4			0.14-4		
8-10			8-10		
PA 6.6 / -40 °C to +120 °C			PA 6.6 / -40 °C to +120 °C		
2 / 2			2 / 2		
PAPD 2.5 GR			PAPD 2.5 GR		
27118.6	20		27118.6	20	
PQI 2.5/2 RD			PQI 2.5/2 RD		
27132.9	50		27132.9	50	
PQI 2.5/3 RD			PQI 2.5/3 RD		
27133.9	50		27133.9	50	
PQI 2.5/4 RD			PQI 2.5/4 RD		
27134.9	20		27134.9	20	
PQI 2.5/10 RD			PQI 2.5/10 RD		
27140.9	10		27140.9	10	
PQI 2.5/20 RD			PQI 2.5/20 RD		
27141.9	10		27141.9	10	
ZES 35/2 GR			ZES 35/2 GR		
3811.6	50		3811.6	50	
SDB 0.4 x 2.5			SDB 0.4 x 2.5		
3169.0	1		3169.0	1	
PC-SB 5x5/48 WH			PC-SB 5x5/48 WH		
28342.7	960		28342.7	960	



Push-in connection system

Three-level terminal blocks PIKD

The **PIKD 2.5** terminal blocks have a width of only 5 mm and are available in a variety of designs. They have three levels with six connection points and can handle solid or flexible wires up to 4 mm² with a rated current up to 22 A. The lower level is designed as a feed-through or PE connection. All levels can be cross-connected to neighbouring terminal blocks.



The advantages

- Wire insertion requires no tools
- Less insertion force
- Built-in insulated pusher for disconnecting the wire
- Cross-connect option at any level
- Test pick-off at each potential
- PE foot contact on both sides



Features

- Push-in connection system
- Feed-through and PE terminals up to 2.5 mm²
- Pluggable cross-connection system PQI
- Colour labelling
- Material: PA 6.6 UL 94 V-0

Features

Wire connections

Solid wires and flexible wires with wire-end ferrules can be inserted into the connection mechanism without the need for tools. A faulty connection is avoided by colour-contrasted and insulated pushers. The Push-in spring opens automatically when the wire is inserted facilitating a secure contact with the busbar. The pusher can be pressed to open the clamp to release the wire or to insert stranded wire without ferrules. (Connection cross-section 2.5 mm², rated current 22 A)



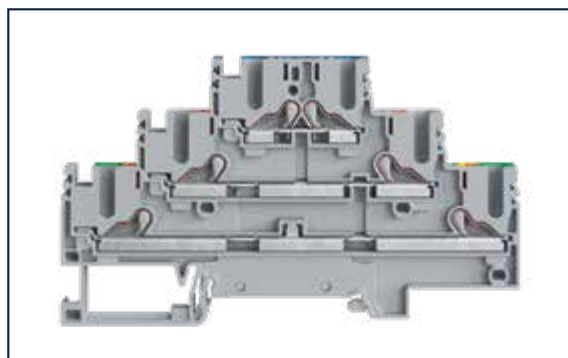
Cross-connection system

The upper and lower levels can be cross-connected using the **PQI 2.5/...** standard cross-connectors. The **PQI** insulated cross-connections have a pluggable design and are available with 2, 3, 4, 10 and 20 poles. They cross connect up to the rated current of the relevant **PIKD** terminals.



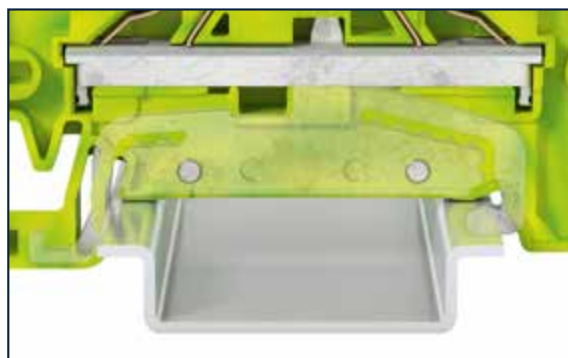
Colour labelling

The upper and lower levels are colour-coded. (e.g., **PIKD 2.5/PE/L/N**)









Connecting the PE foot onto the DIN rail

As with all CONTA-CLIP PE terminals, the **PIKD** terminals also implement a two-sided contact with the DIN rail. This solid, contiguous construction guarantees low contact resistance as well as high security of the internal-spring PE contact foot.



Three-level terminal blocks PIKD

Push-in connection system		PIKD 2.5	PIKD 2.5/SV/PE GNYE	PIKD 2.5/SV
<ul style="list-style-type: none"> Foot base can be snapped on TS 35 DIN rail Housing made of polyamide 6.6 UL 94 V-0 				
Connection diagram				
Description		Feed-through terminal 3 x 2 connections	Feed-through terminal 6 connections	Feed-through terminal 6 connections
Connection type		Push-in	Push-in	Push-in
Size (L x W x H), mm		102 x 5.1 x 56.2	102 x 5.1 x 56.2	102 x 5.1 x 56.2
Size (L x W x H) with TS 35 x 7.5, mm		102 x 5.1 x 57.7	102 x 5.1 x 57.7	102 x 5.1 x 57.7
Type / colour		PIKD 2.5 GR ●	PIKD 2.5/SV/PE GNYE ●	PIKD 2.5/SV GR ●
Cat. no.	Qty.	27039.6 50	27040.2 50	27041.6 50
Type / colour		PIKD 2.5 BU ●		PIKD 2.5/SV BU ●
Cat. no.	Qty.	27039.5 50		27041.5 50
Type / colour		PIKD 2.5 OG ●		PIKD 2.5/SV OG ●
Cat. no.	Qty.	27039.3 50		27041.3 50
Ratings		IEC* UL* CSA*	IEC* UL* CSA*	IEC* UL* CSA*
Rated voltage (V)		500 300 300	500 300 300	500 300 300
Rated current (A) / Max. current capacity (A)		20/24* 20* 20*	20/24* 20* 20*	20/24* 20* 20*
Rated cross-section, mm ² / AWG		2.5 / 26–12	2.5 / 26–12	2.5 / 26–12
Rated surge voltage, kV / Contamination degree		6 / 3	6 / 3	6 / 3
Plug gauge acc. to EN 60 947-1 / Flamm. class acc. to UL 94		A3 / V-0	A3 / V-0	A3 / V-0
Connection data				
Single wire (solid) / stranded (flexible), mm ²		0.14–4 / -	0.14–4 / -	0.14–4 / -
Finely-stranded / finely-stranded (w/ferrules acc. to DIN 46228/1), mm ²		0.14–2.5 / 0.14–2.5	0.14–2.5 / 0.14–2.5	0.14–2.5 / 0.14–2.5
Clamping range, mm ²		0.14–4	0.14–4	0.14–4
Stripping length, mm		8–10	8–10	8–10
Features				
Material of insulated housing / Temperature range		PA 6.6 / -40 °C to +120 °C	PA 6.6 / -40 °C to +120 °C	PA 6.6 / -40 °C to +120 °C
Number of cross-connection channels / Test pick-off option		3 / 3	3 / 3	3 / 3
Accessories				
End plate AP		PAPIKD 2.5 GR	PAPIKD 2.5 GR	PAPIKD 2.5 GR
Cat. no.	Qty.	27119.6 20	27119.6 20	27119.6 20
Insulated cross-connector PQI		PQI 2.5/2 RD	PQI 2.5/2 RD	PQI 2.5/2 RD
Cat. no.	Qty.	27132.9 50	27132.9 50	27132.9 50
Insulated cross-connector PQI		PQI 2.5/3 RD	PQI 2.5/3 RD	PQI 2.5/3 RD
Cat. no.	Qty.	27133.9 50	27133.9 50	27133.9 50
Insulated cross-connector PQI		PQI 2.5/4 RD	PQI 2.5/4 RD	PQI 2.5/4 RD
Cat. no.	Qty.	27134.9 20	27134.9 20	27134.9 20
Insulated cross-connector PQI		PQI 2.5/10 RD	PQI 2.5/10 RD	PQI 2.5/10 RD
Cat. no.	Qty.	27140.9 10	27140.9 10	27140.9 10
Insulated cross-connector PQI		PQI 2.5/20 RD	PQI 2.5/20 RD	PQI 2.5/20 RD
Cat. no.	Qty.	27141.9 10	27141.9 10	27141.9 10
End stop ZES		ZES 35/2 GR	ZES 35/2 GR	ZES 35/2 GR
Cat. no.	Qty.	3811.6 50	3811.6 50	3811.6 50
Screwdriver SDB		SDB 0.4 x 2.5	SDB 0.4 x 2.5	SDB 0.4 x 2.5
Cat. no.	Qty.	3169.0 1	3169.0 1	3169.0 1
Quick marking PC SB		PC-SB 5x5/48 WH	PC-SB 5x5/48 WH	PC-SB 5x5/48 WH
Cat. no.	Qty.	28342.7 960	28342.7 960	28342.7 960

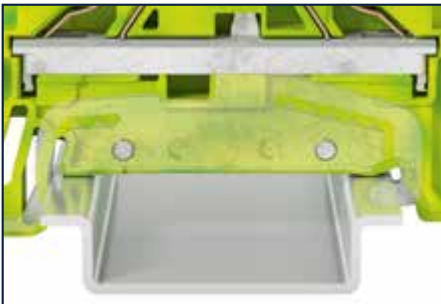
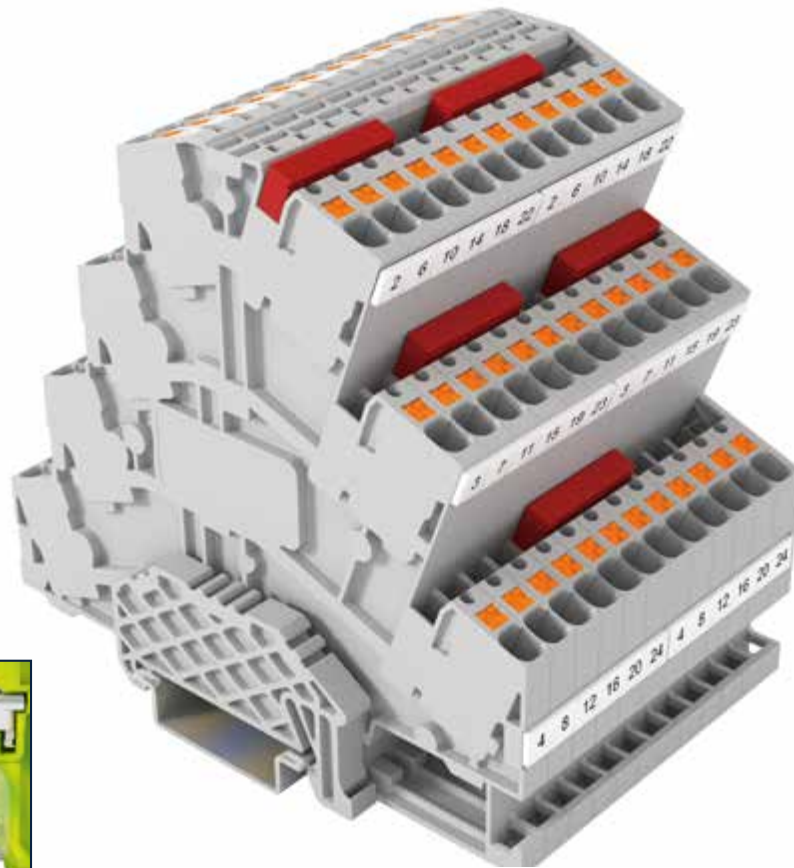
PIKD 2.5/PE/L/L			PIKD 2.5/PE/L/N			PIKD 2.5/L/L/N			PIKD 2.5/1PE/L			PIKD 2.5/1/L/L		
Feed-through/PE terminal 3 x 2 connections			Feed-through/PE terminal 3 x 2 connections			Feed-through/PE terminal 3 x 2 connections			Feed-through/PE terminal 2 x 2 +1 connections			Feed-through/PE terminal 2 x 2 connections		
Push-in 102 x 5.1 x 56.2 102 x 5.1 x 57.7			Push-in 102 x 5.1 x 56.2 102 x 5.1 x 57.7			Push-in 102 x 5.1 x 56.2 102 x 5.1 x 57.7			Push-in 86 x 5.1 x 56.2 86 x 5.1 x 57.7			Push-in 86 x 5.1 x 56.2 86 x 5.1 x 57.7		
PIKD 2.5/PE/L/L GR ●			PIKD 2.5/PE/L/N GR ●			PIKD 2.5/L/L/N GR ●			PIKD 2.5/1PE/L/L GR ●			PIKD 2.5/1/L/L GR ●		
27042.6			27043.6			27045.6			27048.6			27050.6		
50			50			50			50			50		
PIKD 2.5/1PE/L/N GR ●									27049.6					
									50					
IEC* UL* CSA*			IEC* UL* CSA*			IEC* UL* CSA*			IEC* UL* CSA*			IEC* UL* CSA*		
500 300 300			500 300 300			500 300 300			500 300 300			500 300 300		
20/24* 20* 20*			20/24* 20* 20*			20/24* 20* 20*			20/24* 20* 20*			20/24* 20* 20*		
2.5/26-12			2.5/26-12			2.5/26-12			2.5/26-12			2.5/26-12		
6/3			6/3			6/3			6/3			6/3		
A3/V-0			A3/V-0			A3/V-0			A3/V-0			A3/V-0		
0.14-4/-			0.14-4/-			0.14-4/-			0.14-4/-			0.14-4/-		
0.14-2.5/0.14-2.5			0.14-2.5/0.14-2.5			0.14-2.5/0.14-2.5			0.14-2.5/0.14-2.5			0.14-2.5/0.14-2.5		
0.14-4			0.14-4			0.14-4			0.14-4			0.14-4		
8-10			8-10			8-10			8-10			8-10		
PA 6.6 / -40 °C to +120 °C			PA 6.6 / -40 °C to +120 °C			PA 6.6 / -40 °C to +120 °C			PA 6.6 / -40 °C to +120 °C			PA 6.6 / -40 °C to +120 °C		
3/3			3/3			3/3			2 / 3			2/2		
PAPIKD 2.5 GR			PAPIKD 2.5 GR			PAPIKD 2.5 GR			PAPIKD/1 2.5 GR			PAPIKD/1 2.5 GR		
27119.6			27119.6			27119.6			27121.6			27121.6		
20			20			20			20			20		
PQI 2.5/2 RD			PQI 2.5/2 RD			PQI 2.5/2 RD			PQI 2.5/2 RD			PQI 2.5/2 RD		
27132.9			27132.9			27132.9			27132.9			27132.9		
50			50			50			50			50		
PQI 2.5/3 RD			PQI 2.5/3 RD			PQI 2.5/3 RD			PQI 2.5/3 RD			PQI 2.5/3 RD		
27133.9			27133.9			27133.9			27133.9			27133.9		
50			50			50			50			50		
PQI 2.5/4 RD			PQI 2.5/4 RD			PQI 2.5/4 RD			PQI 2.5/4 RD			PQI 2.5/4 RD		
27134.9			27134.9			27134.9			27134.9			27134.9		
20			20			20			20			20		
PQI 2.5/10 RD			PQI 2.5/10 RD			PQI 2.5/10 RD			PQI 2.5/10 RD			PQI 2.5/10 RD		
27140.9			27140.9			27140.9			27140.9			27140.9		
10			10			10			10			10		
PQI 2.5/20 RD			PQI 2.5/20 RD			PQI 2.5/20 RD			PQI 2.5/20 RD			PQI 2.5/20 RD		
27141.9			27141.9			27141.9			27141.9			27141.9		
10			10			10			10			10		
ZES 35/2 GR			ZES 35/2 GR			ZES 35/2 GR			ZES 35/2 GR			ZES 35/2 GR		
3811.6			3811.6			3811.6			3811.6			3811.6		
50			50			50			50			50		
SDB 0.4x2.5			SDB 0.4x2.5			SDB 0.4x2.5			SDB 0.4x2.5			SDB 0.4x2.5		
3169.0			3169.0			3169.0			3169.0			3169.0		
1			1			1			1			1		
PC-SB 5x5/48 WH			PC-SB 5x5/48 WH			PC-SB 5x5/48 WH			PC-SB 5x5/48 WH			PC-SB 5x5/48 WH		
28342.7			28342.7			28342.7			28342.7			28342.7		
960			960			960			960			960		

Motor-connection terminals PVMAK



Push-in connection system

The **PVMAK** 2.5 has a width of only 5 mm. It has four levels with seven connection points and can handle solid or stranded wires up to 4 mm² with a rated current up to 22 A. The lower level is designed as a PE connection. The PE foot contacts both sides of the DIN rail, thus ensuring optimal electrical security. The **ZVMAK** motor-connection terminal can be cross-connected at all levels using the **PQI** 2.5 cross connector.



PE foot on both sides



The advantages

- Wire insertion requires no tools
- Less insertion force
- Built-in insulated pusher for disconnecting the wire
- Cross-connect option at any level
- Test pick-off at each potential
- PE foot contact on both sides



Features

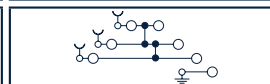
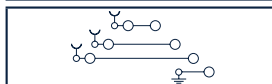
- Push-in connection system
- Motor-connection terminal 2.5 mm²
- Pluggable cross-connection system PQI
- Material: PA 6.6 UL 94 V-0

Push-in connection system

- Foot base can be snapped on TS 35 DIN rail
- Housing made of polyamide 6.6 UL 94 V-0

PVMAK 2.5

PVMAK 2.5/SV



Connection diagram

Description

Motor-connection terminal
3 x 2 + 1 connections

Motor-connection terminal
6 + 1 connections

Connection type

Push-in

Push-in

Size (L x W x H), mm

99.5 x 5.1 x 91.1

99.5 x 5.1 x 91.1

Size (L x W x H) with TS 35 x 7.5, mm

99.5 x 5.1 x 92.6

99.5 x 5.1 x 92.6

Type / colour

PVMAK 2.5 GR ●

PVMAK 2.5/SV GR ●

Cat. no.

Qty.

27046.6 50

27047.6 50

Type / colour

Cat. no.

Qty.

Type / colour

Cat. no.

Qty.

Type / colour

Cat. no.

Qty.

Ratings

IEC* UL* CSA*

IEC* UL* CSA*

Rated voltage (V)

800

600

600

800

600

600

Rated current (A) / Max. current capacity (A)

20/25*

20*

20*

20/25*

20*

20*

Rated cross-section, mm² / AWG

2.5 / 26–12

2.5 / 26–12

Rated surge voltage, kV / Contamination degree

6 / 3

6 / 3

Plug gauge acc. to EN 60 947-1 / Flamm. class acc. to UL 94

A3 / V-0

A3 / V-0

Connection data

Single wire (solid) / stranded (flexible), mm²

0.14–4 / -

0.14–4 / -

Finely-stranded / finely-stranded (w/ferrules acc. to DIN 46228/1), mm²

0.14–2.5 / 0.14–2.5

0.14–2.5 / 0.14–2.5

Clamping range, mm²

0.14–4

0.14–4

Stripping length, mm

8–10

8–10

Features

Material of insulated housing / Temperature range

PA 6.6 / -40 °C to +120 °C

PA 6.6 / -40 °C to +120 °C

Number of cross-connection channels / Test pick-off option

3 / 3

3 / 3

Accessories

End plate AP

PAPVMAK 2.5 GR

PAPVMAK 2.5 GR

Cat. no.

Qty.

27120.6 20

27120.6 20

Insulated cross-connector PQI

PQI 2.5/2 RD

PQI 2.5/2 RD

Cat. no.

Qty.

27132.9 50

27132.9 50

Insulated cross-connector PQI

PQI 2.5/3 RD

PQI 2.5/3 RD

Cat. no.

Qty.

27133.9 50

27133.9 50

Insulated cross-connector PQI

PQI 2.5/4 RD

PQI 2.5/4 RD

Cat. no.

Qty.

27134.9 20

27134.9 20

Insulated cross-connector PQI

PQI 2.5/10 RD

PQI 2.5/10 RD

Cat. no.

Qty.

27140.9 10

27140.9 10

Insulated cross-connector PQI

PQI 2.5/20 RD

PQI 2.5/20 RD

Cat. no.

Qty.

27141.9 10

27141.9 10

End stop ZES

ZES 35/2 GR

ZES 35/2 GR

Cat. no.

Qty.

3811.6 50

3811.6 50

Screwdriver SDB

SDB 0.4 x 2.5

SDB 0.4 x 2.5

Cat. no.

Qty.

3169.0 1

3169.0 1

Quick marking PC SB

PC-SB 5x5/48 WH

PC-SB 5x5/48 WH

Cat. no.

Qty.

28342.7 960

28342.7 960

* Approvals are pending

Push-in connection system FRK | FSL

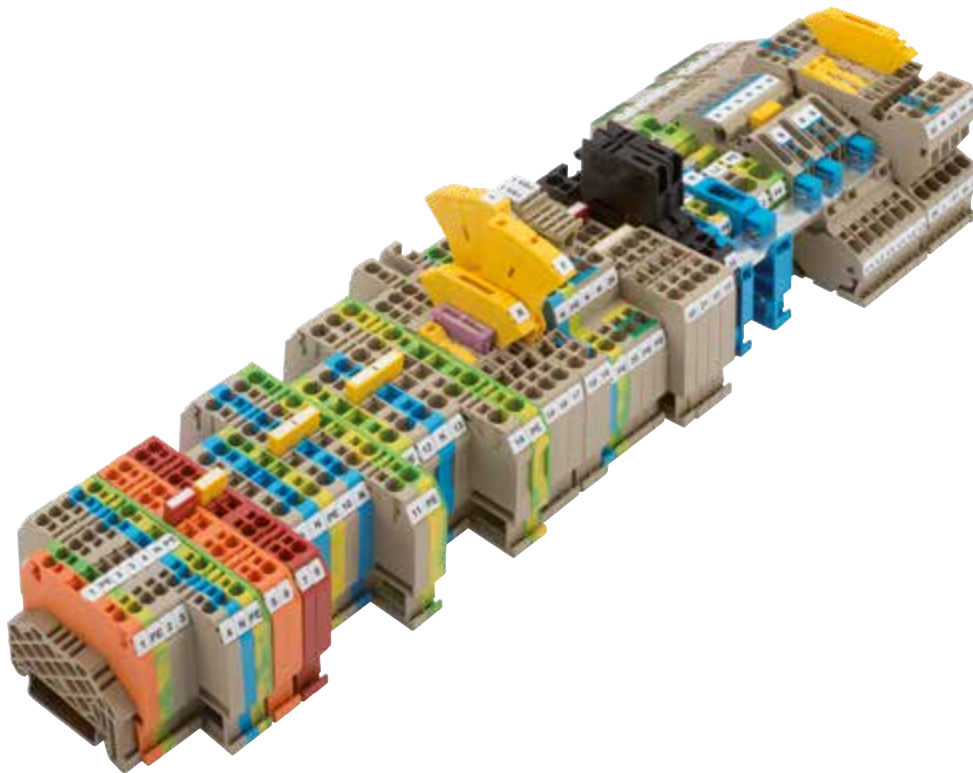


Push-in connection system

CONTA-CLIP offers an innovative line of products with the Push-in connection system. They range from the smallest cross-sections of 0.2 mm² to 16 mm² in feed-through and PE through to the double-level, disconnect, fuse, initiator and installation terminal versions.

This system can be used for a large variety of applications with only a minimal number of accessory parts. The Push-in-Top connection provides safe and quick connections for solid and stranded wires, with or without wire-end ferrules. Our well-designed line of accessories allows you to significantly reduce your installation and storage costs. The **FQI** pluggable potential distribution system can be used to multiply potential voltages vertically.

For this product line, CONTA-CLIP uses pollutant-free insulating material with a V-0 flammability class that is self-extinguishing in accordance with UL 94. As with all CONTA-CLIP PE terminals, the **FSL** terminals also implement a two-sided contact with the DIN rail. In all the **FSL** series, the foot construction and busbar are made of a single piece of copper. This solid, contiguous construction guarantees low contact resistance as well as the high security of the internal-spring PE contact foot.



The advantages

- Wire insertion requires no tools
- Less insertion force
- Cross-connect option at any level
- PE foot contact on both sides
- Comprehensive marking options



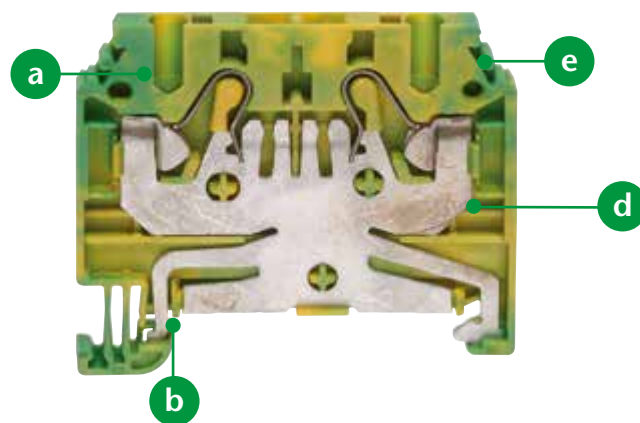
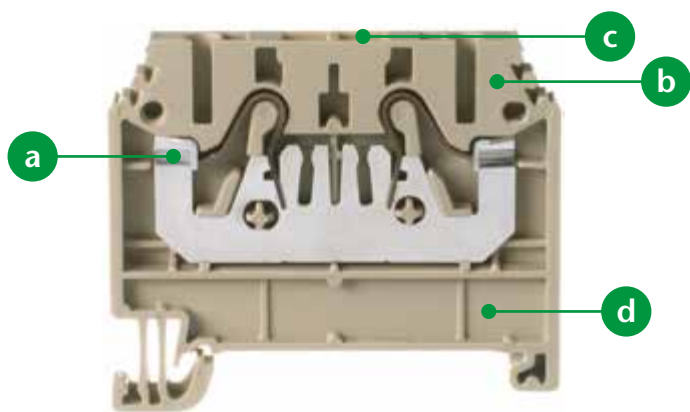
Features

- Push-in connection system
- Feed-through and PE terminals 16 mm²
- Separating the contact via screwdriver
- Pluggable cross-connection system FQI
- Material: PA 6.6 UL 94 V-0

Features

- a The wire connection / contact reliability**
 The Push-in spring at the wire connection is held securely by the positioned busbar.
- The stainless steel spring provides permanent contact force between the wire and the busbar.
 - There is a clear separation of electrical and mechanical functions.
 - The busbars are made from copper with surface coating (tin)
 - One-piece construction of busbar and PE foot contact with no contact resistances
 - Resistant to vibration and maintenance-free
 - Corrosion-free
 - Space-saving design

- b Easy and safe to wire with an established connection system**
 The easy-to-operate Push-in connection mechanism – for solid and fine-stranded wires with wire-end ferrules – reduces wiring time by up to 80%.
- Easy to work with
 - Connection without tools
 - Generous wire-entry geometry
 - Easy to operate, even under cramped working conditions, because of the top connection
 - Saves time and money
 - PE foot contacts on both sides – can be snapped on (no screws) to **TS 35 x 7.5** and **TS 35 x 15** rails.



- c Pluggable cross-connection options**
 Distributing potentials with the pluggable **FQI** cross-connection system is quick and easy. Two cross-connection channels allow two voltages to be fed across when working with the standard terminals with rated cross-sections of 1.5 mm², 2.5 mm² and 4 mm².



- d Housing insulation material**
- Polyamide PA 6.6 UL 94, flamm. class V-0, self-extinguishing without burning drops
 - Free of hazardous materials such as halogen or phosphor
 - Creepage resistance: CTI 600
 - Operating temperature from -40°C to +120°C

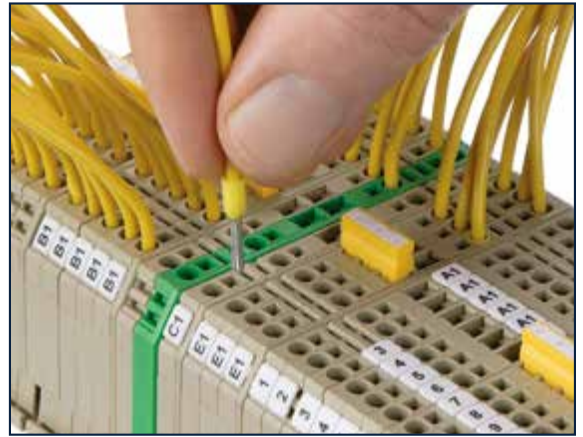
- Available from 2 to 10 poles
- Simple to insert and thus quicker to install
- No insulation plate or partition plate is required between neighbouring cross-connections, since the **PQI** has a touch-safe protective design.
- The cross-connections can carry the full rated current and rated voltage of the corresponding terminal block.
- Individual terminals can be skipped over by breaking out contact pins in the cross-connector.

- e Marking options**
 One marking option per connection. If both cross-connection channels are not being used, two additional markers can be positioned with the standard terminals of 1.5 mm² to 4 mm².

An overview of the advantages

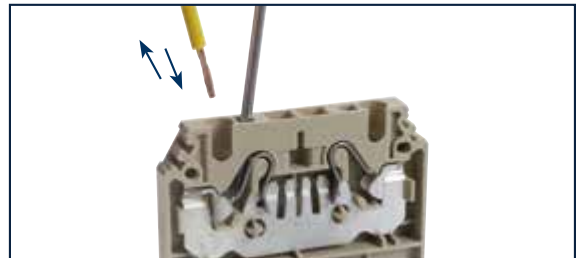
Connection without tools

The **FRK** Push-in connection requires much less insertion force. This makes it easy to insert solid or stranded wires with wire-end ferrules. The rated cross-sections specified in our documentation correspond to a connection with stranded wires using wire-end ferrules. It is also possible to use solid wires up to the next larger cross-section size.



Releasing and separating the contact

A standard screwdriver can be used to open the Push-in spring and separate the wire contact or the connection of the stranded wires with wire-end ferrules.



Cross-connection system

When using a doubled cross-connection channel, the two-pole **FQI.../2** cross-connectors can be used to connect any number of terminals with each other.



Potential distribution

The cross-connector is available from 2 to 10 poles. Two cross-connection channels allow two voltages to be fed across when working with the standard terminals with rated cross-sections of 1.5 mm², 2.5 mm² and 4 mm².



Skip-over bridging

It is possible to skip over terminal blocks by breaking out individual contact poles. Separated contact elements can be labelled using the plastic insulation of the cross-connector.



Power feed with small cross-sections

Push-in terminals with larger cross-sections and standard cross-connectors can connect to a single terminal of the next size up for the power feed-in. The **FQI** cross-connection system can carry the rated voltage and rated current.



An overview of the advantages

Labelling

High-quality, quick and concise labelling is possible when using the **PMC SB, PMC BSTR or MC** labelling systems. The standard terminals feature up to four labelling channels.



Special marking options

For the multi-level terminals, in addition to the standard holder in the terminal housing you can also make clear labels – even when the terminal is wired up – by using the **FBA** identification adapter. The pluggable **FBA** is attached to the middle of the terminal housing.



An effective and comprehensive range







The feed-through and PE terminals with cross-sections of 1.5 mm², 2.5 mm² and 4 mm² are available in two-wire, three-wire and four-wire versions. The standard feed-through terminals in 1.5 mm², 2.5 mm² and 4 mm² feature two bridging channels. The product line also includes standard terminals and functional terminals including fused terminals, initiator terminals, disconnect terminals and installation terminals.



A comprehensive line of accessories







- DIN rails
- Mechanical attachment | End stops
- Group marker holders
- End plates | Visual separation
- Cross-connections (potential distribution)
- Covers

Feed-through terminals FRK | Protective earth terminals FSL

Push-in connection system		FRK 1.5/2A	FRK 1.5/2A	FRK 1.5/3A
<ul style="list-style-type: none"> • Foot base can be snapped on TS 35 DIN rail • Housing made of polyamide 6.6 UL 94 V-0 				
Connection diagram				
Description		Feed-through terminal 2 connections	Protective earth terminal 2 connections	Feed-through terminal 3 connections
Connection type		Push-in	Push-in	Push-in
Size (L x W x H) with TS 35 x 7.5, mm		48.5 x 4.1 x 43	48.5 x 4.1 x 43	59.5 x 4.1 x 43
Type / colour		FRK 1.5/2A GN ●	FRK 1.5/2A GNYE ●	FRK 1.5/3A GN ●
Cat. no.	Qty.	3200.1 100	3203.2 100	3201.1 100
Type / colour		FRK 1.5/2A BG ●		FRK 1.5/3A BG ●
Cat. no.	Qty.	3200.2 100		3201.2 100
Type / colour		FRK 1.5/2A OG ●		FRK 1.5/3A OG ●
Cat. no.	Qty.	3200.3 100		3201.3 100
Type / colour		FRK 1.5/2A BU ●		FRK 1.5/3A BU ●
Cat. no.	Qty.	3200.5 100		3201.5 100
Type / colour		FRK 1.5/2A YE ●		FRK 1.5/3A YE ●
Cat. no.	Qty.	3200.8 100		3201.8 100
Type / colour		FRK 1.5/2A RD ●		FRK 1.5/3A RD ●
Cat. no.	Qty.	3200.9 100		3201.9 100
Ratings		IEC CSAAus CSA	IEC CSAAus CSA	IEC CSAAus CSA
Rated voltage (V)		800 300 300		800 300 300
Rated current (A) / Max. current capacity (A)		17.5 16 16		17.5 16 16
Rated cross-section, mm ² / AWG		1.5 / 24-16	1.5 / 24-16	1.5 / 24-16
Rated surge voltage, kV / Contamination degree		8 / 3	8 / 3	8 / 3
Plug gauge acc. to EN 60 947-1 / Flamm. class acc. to UL 94		A1 / V-0	A1 / V-0	A1 / V-0
Connection data				
Single wire (solid) / stranded (flexible), mm ²		0.2-1.5 / -	0.2-1.5 / -	0.2-1.5 / -
Finely-stranded / finely-stranded (w/ferrules acc. to DIN 46228/1), mm ²		0.2-1.5 / 0.2-1.5	0.2-1.5 / 0.2-1.5	0.2-1.5 / 0.2-1.5
Clamping range, mm ²		0.2-1.5	0.2-1.5	0.2-1.5
Stripping length, mm		12	12	12
Features				
Material of insulated housing / Temperature range		PA 6.6 / -40 °C to +120 °C	PA 6.6 / -40 °C to +120 °C	PA 6.6 / -40 °C to +120 °C
Number of cross-connection channels / Test pick-off option		2 / -	2 / -	2 / -
Accessories				
End plate FAP		FAP 1.5-4/2A BG	FAP 1.5-4/2A GN	FAP 1.5-4/3A BG
Cat. no.	Qty.	3400.2 20	3400.1 20	3401.2 20
Insulated cross-connector FQI		FQI 1.5/2 YE		FQI 1.5/2 YE
Cat. no.	Qty.	3452.8 50		3452.8 50
Insulated cross-connector FQI		FQI 1.5/3 YE		FQI 1.5/3 YE
Cat. no.	Qty.	3453.8 50		3453.8 50
Insulated cross-connector FQI		FQI 1.5/4 YE		FQI 1.5/4 YE
Cat. no.	Qty.	3454.8 20		3454.8 20
Insulated cross-connector FQI		FQI 1.5/5 YE		FQI 1.5/5 YE
Cat. no.	Qty.	3455.8 20		3455.8 20
Insulated cross-connector FQI		FQI 1.5/6 YE		FQI 1.5/6 YE
Cat. no.	Qty.	3456.8 20		3456.8 20
Insulated cross-connector FQI		FQI 1.5/7 YE		FQI 1.5/7 YE
Cat. no.	Qty.	3457.8 20		3457.8 20
Insulated cross-connector FQI		FQI 1.5/8 YE		FQI 1.5/8 YE
Cat. no.	Qty.	3458.8 10		3458.8 10
Insulated cross-connector FQI		FQI 1.5/9 YE		FQI 1.5/9 YE
Cat. no.	Qty.	3459.8 10		3459.8 10
Insulated cross-connector FQI		FQI 1.5/10 YE		FQI 1.5/10 YE
Cat. no.	Qty.	3450.8 10		3450.8 10
Four-way cover FAD		FAD 1.5/4/B YE	FAD 1.5/4/B YE	FAD 1.5/4/B YE
Cat. no.	Qty.	3425.8 20	3425.8 20	3425.8 20
End stop ZES		ZES 35/2 BG	ZES 35/2 BG	ZES 35/2 BG
Cat. no.	Qty.	3811.2 50	3811.2 50	3811.2 50
Screwdriver SDB		SDB 0.4x2.0	SDB 0.4x2.0	SDB 0.4x2.0
Cat. no.	Qty.	3164.0 1	3164.0 1	3164.0 1
Quick marking PMC SB		PMC SB 4/50 WH	PMC SB 4/50 WH	PMC SB 4/50 WH
Cat. no.	Qty.	4820.7 500	4820.7 500	4820.7 500







FSL 1.5/3A			FRK 1.5/4A			FSL 1.5/4A		
Protective earth terminal 3 connections			Feed-through terminal 4 connections			Protective earth terminal 4 connections		
Push-in 59.5 x 4.1 x 43			Push-in 72.2 x 4.1 x 43			Push-in 72.2 x 4.1 x 43		
FSL 1.5/3A GNYE			FRK 1.5/4A GN			FSL 1.5/4A GNYE		
3204.2 100			3202.1 80			3205.2 100		
			FRK 1.5/4A BG					
			3202.2 80					
			FRK 1.5/4A OG					
			3202.3 80					
			FRK 1.5/4A BU					
			3202.5 80					
			FRK 1.5/4A YE					
			3202.8 80					
			FRK 1.5/4A RD					
			3202.9 80					
IEC	CSAus	CSA	IEC	CSAus	CSA	IEC	CSAus	CSA
			800	300	300			
			17.5	16	16			
1.5/24-16			1.5/24-16			1.5/24-16		
8/3			8/3			8/3		
A1/V-0			A1/V-0			A1/V-0		
0.2-1.5/-			0.2-1.5/-			0.2-1.5/-		
0.2-1.5/0.2-1.5			0.2-1.5/0.2-1.5			0.2-1.5/0.2-1.5		
0.2-1.5			0.2-1.5			0.2-1.5		
12			12			12		
PA 6.6 / -40 °C to +120 °C			PA 6.6 / -40 °C to +120 °C			PA 6.6 / -40 °C to +120 °C		
2/-			2/-			2/-		
FAP 1.5-4/3A GN			FAP 1.5-4/4A BG			FAP 1.5-4/4A GN		
3401.1 20			3402.2 20			3402.1 20		
			FQI 1.5/2 YE					
			3452.8 50					
			FQI 1.5/3 YE					
			3453.8 50					
			FQI 1.5/4 YE					
			3454.8 20					
			FQI 1.5/5 YE					
			3455.8 20					
			FQI 1.5/6 YE					
			3456.8 20					
			FQI 1.5/7 YE					
			3457.8 20					
			FQI 1.5/8 YE					
			3458.8 10					
			FQI 1.5/9 YE					
			3459.8 10					
			FQI 1.5/10 YE					
			3450.8 10					
FAD 1.5/4/B YE			FAD 1.5/4/B YE			FAD 1.5/4/B YE		
3425.8 20			3425.8 20			3425.8 20		
ZES 35/2 BG			ZES 35/2 BG			ZES 35/2 BG		
3811.2 50			3811.2 50			3811.2 50		
SDB 0.4x2.0			SDB 0.4x2.0			SDB 0.4x2.0		
3164.0 1			3164.0 1			3164.0 1		
PMC SB 4/50 WH			PMC SB 4/50 WH			PMC SB 4/50 WH		
4820.7 500			4820.7 500			4820.7 500		

Feed-through terminals FRK | Protective earth terminals FSL

Push-in connection system	FRK 2.5/2A	FRK 2.5/2A	FRK 2.5/3A
<ul style="list-style-type: none"> • Foot base can be snapped on TS 35 DIN rail • Housing made of polyamide 6.6 UL 94 V-0 			
Connection diagram			
Description	Feed-through terminal 2 connections	Protective earth terminal 2 connections	Feed-through terminal 3 connections
Connection type	Push-in	Push-in	Push-in
Size (L x W x H) with TS 35 x 7.5, mm	48.5 x 4.1 x 43	48.5 x 4.1 x 43	63.1 x 5.1 x 43
Type / colour	FRK 2.5/2A GN ●	FRK 2.5/2A GNYE ●	FRK 2.5/3A GN ●
Cat. no.	3210.1	3213.2	3211.1
Qty.	100	100	100
Type / colour	FRK 2.5/2A BG ●		FRK 2.5/3A BG ●
Cat. no.	3210.2		3211.2
Qty.	100		100
Type / colour	FRK 2.5/2A OG ●		FRK 2.5/3A OG ●
Cat. no.	3210.3		3211.3
Qty.	100		100
Type / colour	FRK 2.5/2A BU ●		FRK 2.5/3A BU ●
Cat. no.	3210.5		3211.5
Qty.	100		100
Type / colour	FRK 2.5/2A YE ●		FRK 2.5/3A YE ●
Cat. no.	3210.8		3211.8
Qty.	100		100
Type / colour	FRK 2.5/2A RD ●		FRK 2.5/3A RD ●
Cat. no.	3210.9		3211.9
Qty.	100		100
Ratings	IEC CSAus CSA	IEC CSAus CSA	IEC CSAus CSA
Rated voltage (V)	800	600	600
Rated current (A) / Max. current capacity (A)	24	21	21
Rated cross-section, mm ² / AWG	2.5 / 26-12	2.5 / 26-12	2.5 / 26-12
Rated surge voltage, kV / Contamination degree	8 / 3	8 / 3	8 / 3
Plug gauge acc. to EN 60 947-1 / Flamm. class acc. to UL 94	A3 / V-0	A3 / V-0	A3 / V-0
Connection data			
Single wire (solid) / stranded (flexible), mm ²	0.2-4 / -	0.2-4 / -	0.2-4 / -
Finely-stranded / finely-stranded (w/ferrules acc. to DIN 46228/1), mm ²	0.2-4 / 0.2-2.5	0.2-4 / 0.2-2.5	0.2-4 / 0.2-2.5
Clamping range, mm ²	0.2-4	0.2-4	0.2-4
Stripping length, mm	12	12	12
Features			
Material of insulated housing / Temperature range	PA 6.6 / -40 °C to +120 °C	PA 6.6 / -40 °C to +120 °C	PA 6.6 / -40 °C to +120 °C
Number of cross-connection channels / Test pick-off option	2 / -	2 / -	2 / -
Accessories			
End plate FAP	FAP 1.5-4/2A BG	FAP 1.5-4/2A GN	FAP 1.5-4/3A BG
Cat. no.	3400.2	3400.1	3411.2
Qty.	20	20	20
Insulated cross-connector FQI	FQI 2.5/2 YE		FQI 2.5/2 YE
Cat. no.	3462.8		3462.8
Qty.	50		50
Insulated cross-connector FQI	FQI 2.5/3 YE		FQI 2.5/3 YE
Cat. no.	3463.8		3463.8
Qty.	50		50
Insulated cross-connector FQI	FQI 2.5/4 YE		FQI 2.5/4 YE
Cat. no.	3464.8		3464.8
Qty.	20		20
Insulated cross-connector FQI	FQI 2.5/5 YE		FQI 2.5/5 YE
Cat. no.	3465.8		3465.8
Qty.	20		20
Insulated cross-connector FQI	FQI 2.5/6 YE		FQI 2.5/6 YE
Cat. no.	3466.8		3466.8
Qty.	20		20
Insulated cross-connector FQI	FQI 2.5/7 YE		FQI 2.5/7 YE
Cat. no.	3467.8		3467.8
Qty.	20		20
Insulated cross-connector FQI	FQI 2.5/8 YE		FQI 2.5/8 YE
Cat. no.	3468.8		3468.8
Qty.	10		10
Insulated cross-connector FQI	FQI 2.5/9 YE		FQI 2.5/9 YE
Cat. no.	3469.8		3469.8
Qty.	10		10
Insulated cross-connector FQI	FQI 2.5/10 YE		FQI 2.5/10 YE
Cat. no.	3460.8		3460.8
Qty.	10		10
Four-way cover FAD	FAD 2.5/4/B YE	FAD 2.5/4/B YE	FAD 2.5/4/B YE
Cat. no.	3426.8	3426.8	3426.8
Qty.	20	20	20
End stop ZES	ZES 35/2 BG	ZES 35/2 BG	ZES 35/2 BG
Cat. no.	3811.2	3811.2	3811.2
Qty.	50	50	50
Screwdriver SDB	SDB 0.5x3.0	SDB 0.5x3.0	SDB 0.5x3.0
Cat. no.	1085.0	1085.0	1085.0
Qty.	1	1	1
Quick marking PMC SB	PMC SB 5/50 WH	PMC SB 5/50 WH	PMC SB 5/50 WH
Cat. no.	4600.7	4600.7	4600.7
Qty.	500	500	500

FSL 2.5/3A			FRK 2.5/4A			FSL 2.5/4A		
Protective earth terminal 3 connections			Feed-through terminal 4 connections			Protective earth terminal 4 connections		
Push-in 63.1 x 5.1 x 43			Push-in 77.7 x 5.1 x 43			Push-in 77.7 x 5.1 x 43		
FSL 2.5/3A GNYE			FRK 2.5/4A GN			FSL 2.5/4A GNYE		
3214.2 100			3212.1 80			3215.2 100		
			FRK 2.5/4A BG					
			3212.2 80					
			FRK 2.5/4A OG					
			3212.3 80					
			FRK 2.5/4A BU					
			3212.5 80					
			FRK 2.5/4A YE					
			3212.8 80					
			FRK 2.5/4A RD					
			3212.9 80					
IEC	CSAus	CSA	IEC	CSAus	CSA	IEC	CSAus	CSA
			800	600	600			
			24	21	21			
2.5 / 26-12			2.5 / 26-12			2.5 / 26-12		
8 / 3			8 / 3			8 / 3		
A3 / V-0			A3 / V-0			A3 / V-0		
0.2-4 / -			0.2-4 / -			0.2-4 / -		
0.2-4 / 0.2-2.5			0.2-4 / 0.2-2.5			0.2-4 / 0.2-2.5		
0.2-4			0.2-4			0.2-4		
12			12			12		
PA 6.6 / -40 °C to +120 °C			PA 6.6 / -40 °C to +120 °C			PA 6.6 / -40 °C to +120 °C		
2 / -			2 / -			2 / -		
FAP 2.5-4/3A BG			FAP 2.5-4/3A BG			FAP 2.5-4/4A GN		
3411.1 20			3412.2 20			3412.1 20		
			FQI 2.5/2 YE					
			3462.8 50					
			FQI 2.5/3 YE					
			3463.8 50					
			FQI 2.5/4 YE					
			3464.8 20					
			FQI 2.5/5 YE					
			3465.8 20					
			FQI 2.5/6 YE					
			3466.8 20					
			FQI 2.5/7 YE					
			3467.8 20					
			FQI 2.5/8 YE					
			3468.8 10					
			FQI 2.5/9 YE					
			3469.8 10					
			FQI 2.5/10 YE					
			3460.8 10					
FAD 2.5/4/B YE			FAD 2.5/4/B YE			FAD 2.5/4/B YE		
3426.8 20			3426.8 20			3426.8 20		
ZES 35/2 BG			ZES 35/2 BG			ZES 35/2 BG		
3811.2 50			3811.2 50			3811.2 50		
SDB 0.5x3.0			SDB 0.5x3.0			SDB 0.5x3.0		
1085.0 1			1085.0 1			1085.0 1		
PMC SB 5/50 WH			PMC SB 5/50 WH			PMC SB 5/50 WH		
4600.7 500			4600.7 500			4600.7 500		

Feed-through terminals FRK | Protective earth terminals FSL

Push-in connection system	FRK 4/2A	FSL 4/2A	FRK 4/3A
<ul style="list-style-type: none"> • Foot base can be snapped on TS 35 DIN rail • Housing made of polyamide 6.6 UL 94 V-0 			
Connection diagram			
Description	Feed-through terminal 2 connections	Protective earth terminal 2 connections	Feed-through terminal 3 connections
Connection type	Push-in	Push-in	Push-in
Size (L x W x H), mm	48.5 x 6.1 x 43	48.5 x 6.1 x 43	64.3 x 6.1 x 43
Type / colour	FRK 4/2A GN ●	FSL 4/2A GNYE ●	FRK 4/3A GN ●
Cat. no.	3220.1	3223.2	3221.1
Qty.	100	100	100
Type / colour	FRK 4/2A BG ●		FRK 4/3A BG ●
Cat. no.	3220.2		3221.2
Qty.	100		100
Type / colour	FRK 4/2A OG ●		FRK 4/3A OG ●
Cat. no.	3220.3		3221.3
Qty.	100		100
Type / colour	FRK 4/2A BU ●		FRK 4/3A BU ●
Cat. no.	3220.5		3221.5
Qty.	100		100
Type / colour	FRK 4/2A YE ●		FRK 4/3A YE ●
Cat. no.	3220.8		3221.8
Qty.	100		100
Type / colour	FRK 4/2A RD ●		FRK 4/3A RD ●
Cat. no.	3220.9		3221.9
Qty.	100		100
Ratings	IEC CSAus CSA	IEC CSAus CSA	IEC CSAus CSA
Rated voltage (V)	800 600 600		800 600 600
Rated current (A) / Max. current capacity (A)	32 35 35		32 35 35
Rated cross-section, mm ² / AWG	4/20-10	4/20-10	4/20-10
Rated surge voltage, kV / Contamination degree	8/3	8/3	8/3
Plug gauge acc. to EN 60 947-1 / Flamm. class acc. to UL 94	A4/V-0	A4/V-0	A4/V-0
Connection data			
Single wire (solid) / stranded (flexible), mm ²	0.2-6/-	0.2-6/-	0.2-6/-
Finely-stranded / finely-stranded (w/ferrules acc. to DIN 46228/1), mm ²	0.2-6/0.2-4	0.2-6/0.2-4	0.2-6/0.2-4
Clamping range, mm ²	0.2-6	0.2-6	0.2-6
Stripping length, mm	12	12	12
Features			
Material of insulated housing / Temperature range	PA 6.6 / -40 °C to +120 °C	PA 6.6 / -40 °C to +120 °C	PA 6.6 / -40 °C to +120 °C
Number of cross-connection channels / Test pick-off option	2/-	2/-	2/-
Accessories			
End plate FAP	FAP 1.5-4/2A BG	FAP 1.5-4/2A GN	FAP 4/3A BG
Cat. no.	3400.2	3400.1	3421.2
Qty.	20	20	20
Insulated cross-connector FQI	FQI 4/2 YE		FQI 4/2 YE
Cat. no.	3472.8		3472.8
Qty.	50		50
Insulated cross-connector FQI	FQI 4/3 YE		FQI 4/3 YE
Cat. no.	3473.8		3473.8
Qty.	50		50
Insulated cross-connector FQI	FQI 4/4 YE		FQI 4/4 YE
Cat. no.	3474.8		3474.8
Qty.	20		20
Insulated cross-connector FQI	FQI 4/5 YE		FQI 4/5 YE
Cat. no.	3475.8		3475.8
Qty.	20		20
Insulated cross-connector FQI	FQI 4/6 YE		FQI 4/6 YE
Cat. no.	3476.8		3476.8
Qty.	20		20
Insulated cross-connector FQI	FQI 4/7 YE		FQI 4/7 YE
Cat. no.	3477.8		3477.8
Qty.	20		20
Insulated cross-connector FQI	FQI 4/8 YE		FQI 4/8 YE
Cat. no.	3478.8		3478.8
Qty.	10		10
Insulated cross-connector FQI	FQI 4/9 YE		FQI 4/9 YE
Cat. no.	3479.8		3479.8
Qty.	10		10
Insulated cross-connector FQI	FQI 4/10 YE		FQI 4/10 YE
Cat. no.	3470.8		3470.8
Qty.	10		10
Four-way cover FAD	FAD 4/4/B YE	FAD 4/4/B YE	FAD 4/4/B YE
Cat. no.	3427.8	3426.8	3426.8
Qty.	20	20	20
End stop ZES	ZES 35/2 BG	ZES 35/2 BG	ZES 35/2 BG
Cat. no.	3811.2	3811.2	3811.2
Qty.	50	50	50
Screwdriver SDB	SDB 0.6x3.5	SDB 0.6x3.5	SDB 0.6x3.5
Cat. no.	1086.0	1086.0	1086.0
Qty.	1	1	1
Quick marking PMC SB	PMC SB 6/50 WH	PMC SB 6/50 WH	PMC SB 6/50 WH
Cat. no.	4702.7	4702.7	4702.7
Qty.	500	500	500

FSL 4/3A			FRK 4/4A			FSL 4/4A			FRK 16/2A			FSL 16/2A		
Protective earth terminal 3 connections			Feed-through terminal 4 connections			Protective earth terminal 4 connections			Feed-through terminal 2 connections			Protective earth terminal 2 connections		
Push-in			Push-in			Push-in			Push-in			Push-in		
64.3 x 6.1 x 43			80 x 6.1 x 43			80 x 6.1 x 43			72.4 x 12.1 x 48			72.4 x 12.1 x 49		
FSL 4/3A GNYE			FRK 4/4A GN			FSL 4/4A GNYE			FRK 16/2A BG			FSL 16/2A GNYE		
3224.2			3222.1			3225.2			3294.2			3299.2		
100			80			100			50			50		
			FRK 4/4A BG						FRK 16/2A BU					
			3222.2						3294.5					
			80						50					
			FRK 4/4A OG						FRK 16/2A OG					
			3222.3						3294.3					
			80						50					
			FRK 4/4A BU											
			3222.5											
			80											
			FRK 4/4A YE											
			3222.8											
			80											
			FRK 4/4A RD											
			3222.9											
			80											
IEC	CSAus	CSA	IEC	CSAus	CSA	IEC	CSAus	CSA	IEC*	UL*	CSA*	IEC*	UL*	CSA*
			800	600	600				1000	600	600			
			32	35	35				76/90	75	75			
4/20-10			4/20-10			4/20-10			16/14-4			16/14-4		
8/3			8/3			8/3			8/3			8/3		
A4/V-0			A4/V-0			A4/V-0			A7/V-0			A7/V-0		
0.2-6/-			0.2-6/-			0.2-6/-			2.5-25/2.5-25			2.5-25/2.5-25		
0.2-6/0.2-4			0.2-6/0.2-4			0.2-6/0.2-4			2.5-16/2.5-16			2.5-16/2.5-16		
0.2-4			0.2-6			0.2-6			2.5-25			2.5-25		
12			12			12			18			18		
PA 6.6 / -40 °C to +120 °C			PA 6.6 / -40 °C to +120 °C			PA 6.6 / -40 °C to +120 °C			PA 6.6 / -40 °C to +120 °C			PA 6.6 / -40 °C to +120 °C		
2/-			2/-			2/-			2/-			1/-		
FAP 4/3A GN			FAP 4/4A BG			FAP 4/4A GN			FAP 16/2A BG			FAP 16/2A GN		
3421.1		20	3422.2		20	3422.1		20	17420.2		20	17420.1		20
			FQI 4/2 YE		50				SQI 16/2 YE		20	SQI 16/2 YE		20
			3472.8		50				17247.8		20	17247.8		20
			FQI 4/3 YE		50									
			3473.8		50									
			FQI 4/4 YE		20									
			3474.8		20									
			FQI 4/5 YE		20									
			3475.8		20									
			FQI 4/6 YE		20									
			3476.8		20									
			FQI 4/7 YE		20									
			3477.8		20									
			FQI 4/8 YE		10									
			3478.8		10									
			FQI 4/9 YE		10									
			3479.8		10									
			FQI 4/10 YE		10									
			3470.8		10									
FAD 4/4/B YE		20	FAD 4/4/B YE		20	FAD 4/4/B YE		20						
3427.8		20	3427.8		20	3427.8		20						
ZES 35/2 BG		50	ZES 35/2 BG		50	ZES 35/2 BG		50	ZES 35/2 BG		50	ZES 35/2 BG		50
3811.2		50	3811.2		50	3811.2		50	3811.2		50	3811.2		50
SDB 0.6x3.5		1	SDB 0.6x3.5		1	SDB 0.6x3.5		1	SDB 0.8 x 4.0		1	SDB 0.8 x 4.0		1
1086.0		1	1086.0		1	1086.0		1	1087.0		1	1087.0		1
PMC SB 6/50 WH		500	PMC SB 6/50 WH		500	PMC SB 6/50 WH		500	PMC SB 8/40 WH		500	PMC SB 8/40 WH		500
4702.7		500	4702.7		500	4702.7		500	9323.7		500	9323.7		500

* Approval applied for.

Double-level terminal blocks FRKD 2.5 | Double-level PE terminals FSLD 2.5



Push-in connection
system

With a width of just 5 mm, the new **FRKD 2.5** series is available in 13 versions and connects with stranded or solid wires up to 4 mm² with a rated current of up to 24 A. Solid wires and flexible wires with wire-end ferrules can be inserted into the Push-in connection system without the need for tools. The Push-in spring opens automatically when the wire is inserted facilitating a secure contact with the busbar. A standard screwdriver can be used to open the clamp for release or for the insertion of stranded wire without ferrules. CONTA-CLIP's PE foot, which contacts the PE potential to the DIN rail, is designed to make contact on both sides. This **CONTA-CLIP** design uses more material but it offers an advantage in terms of additional safety and security for the PE conductor's contact. In all the **FSL**

series, the foot construction and busbar are made of a single piece of copper. This solid, contiguous construction guarantees low contact resistance as well as high security of the internal-spring PE contact foot. Each of the Push-in terminal blocks can be equipped with the standard accessories: the **FQI 2.5** (cross connector) and the **PMC SB 5** (Pocket-Maxicard quick marking system).



The advantages

- Wire insertion requires no tools
- Less insertion force
- Cross-connect option at any level
- PE foot contact on both sides
- Comprehensive marking options



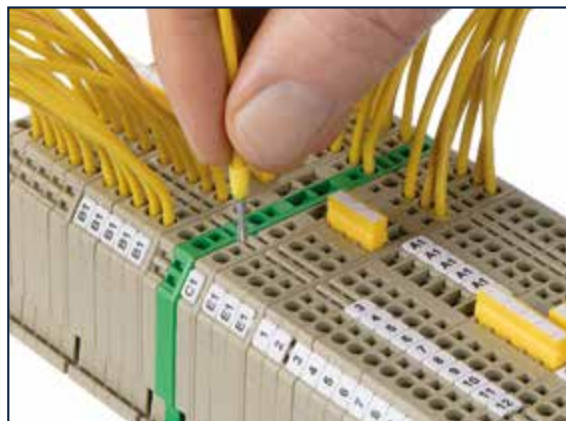
Features

- Push-in connection system
- Feed-through and PE terminals 2.5 mm²
- Separating the contact via screwdriver
- Pluggable cross-connection system FQI
- Material: PA 6.6 UL 94 V-0

Features

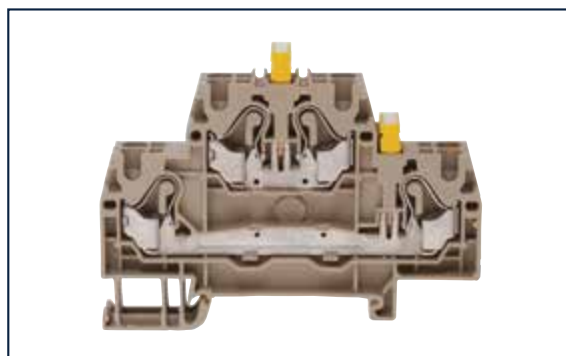
Wire connections

Solid wires and flexible wires with wire-end ferrules can be inserted into the connection mechanism without the need for tools. The Push-in spring opens automatically when the wire is inserted facilitating a secure contact with the busbar. A standard screwdriver can be used to open the clamp for release or for the insertion of stranded wire without ferrules. (Connection cross-section range 4 mm², rated current 24 A)



Cross-connection system

The upper and lower levels can be cross-connected using the **FQI 2.5/...** standard cross-connectors. The **FQI** insulated cross-connections have a pluggable design. They are available with from 2 to 10 poles. They cross connect up to the rated current of the relevant **FRKD** terminals.



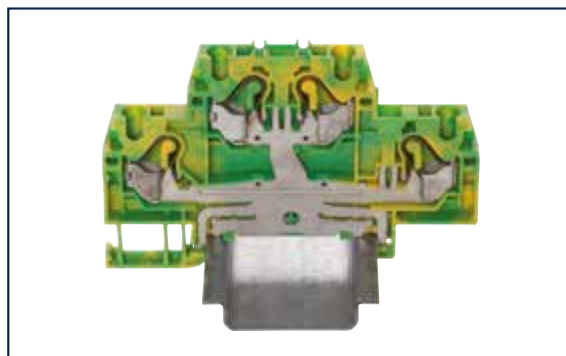
Colour labelling

The upper and lower levels are colour-coded. (e.g., **FRKD 2.5 N-PE**)



Connecting the PE foot onto the DIN rail

As with all CONTA-CLIP PE terminals, the **FSLD** terminals also implement a two-sided contact with the DIN rail. In all the **FSL** series, the foot construction and busbar are made of a single piece of copper. This solid, contiguous construction guarantees low contact resistance as well as the high security of the internal-spring PE contact foot.



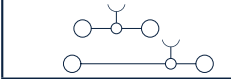







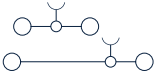


Double-level terminal blocks with three connections per level

The **FRKD 2.5/3A** and the **FSLD 2.5/3A** have a width of 5 mm. Up to six stranded or solid wires up to 4 mm² can be connected, with a rated current up to 24 A. (Page 50)




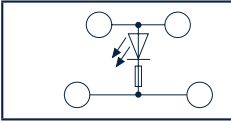
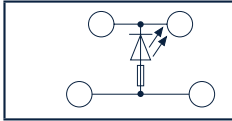
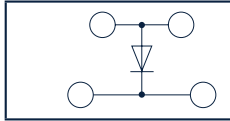


Double-level terminal blocks FRKD | Double-level PE terminal FSLD

Push-in connection system	FRKD 2.5	FRKD 2.5/SV	FSLD 2.5
<ul style="list-style-type: none"> Foot base can be snapped on TS 35 DIN rail Housing made of polyamide 6.6 UL 94 V-0 			
Connection diagram			
Description	Feed-through terminal 2 x 2 connections	Feed-through terminal 4 connections	Protective earth terminal 4 connections
Connection type	Push-in	Push-in	Push-in
Size (L x W x H) with TS 35 x 7.5, mm	75.4 x 5.1 x 53	75.4 x 5.1 x 53	75.4 x 5.1 x 53
Size (L x W x H with labelling adapter) with TS 35 x 7.5, mm	75.4 x 5.1 x 66	75.4 x 5.1 x 66	75.4 x 5.1 x 66
Type / colour	FRKD 2.5 BG ●	FRKD 2.5/SV BG ●	FSLD 2.5 GNYE ●
Cat. no.	3226.2	3227.2	3236.2
Qty.	100	100	100
Type / colour	FRKD 2.5 BU ●	FRKD 2.5/SV BU ●	
Cat. no.	3226.5	3227.5	
Qty.	100	100	
Type / colour	FRKD 2.5 OG ●	FRKD 2.5/SV OG ●	
Cat. no.	3226.3	3227.3	
Qty.	100	100	
Type / colour	FRKD 2.5 GN ●	FRKD 2.5/SV GN ●	
Cat. no.	3226.1	3227.1	
Qty.	100	100	
Type / colour	FRKD 2.5 YE ●	FRKD 2.5/SV YE ●	
Cat. no.	3226.8	3227.8	
Qty.	100	100	
Type / colour	FRKD 2.5 RD ●	FRKD 2.5/SV RD ●	
Cat. no.	3226.9	3227.9	
Qty.	100	100	
Ratings	IEC CSAus CSA	IEC CSAus CSA	IEC CSAus CSA
Rated voltage (V)	500 300 600	500 300 600	
Rated current (A)	24 20 5	24 20 5	
Rated cross-section, mm ² / AWG	2.5 / 26–12	2.5 / 26–12	2.5 / 26–12
Rated surge voltage, kV / Contamination degree	6 / 3	6 / 3	6 / 3
Plug gauge acc. to EN 60 947-1 / Flamm. class acc. to UL 94	A3 / V-0	A3 / V-0	A3 / V-0
Connection data			
Single wire (solid) / stranded (flexible), mm ²	0.2–4 / -	0.2–4 / -	0.2–4 / -
Finely-stranded / finely-stranded (w/ferrules acc. to DIN 46228/1), mm ²	0.2–4 / 0.2–2.5	0.2–4 / 0.2–2.5	0.2–4 / 0.2–2.5
Clamping range, mm ²	0.2–4	0.2–4	0.2–4
Stripping length, mm	12	12	12
Features			
Material of insulated housing / Temperature range	PA 6.6 / -40 °C to +120 °C	PA 6.6 / -40 °C to +120 °C	PA 6.6 / -40 °C to +120 °C
Number of cross-connection channels / Test pick-off option	2 / -	2 / -	2 / -
Accessories			
End plate FAP	FAPD 2.5 BG	FAPD 2.5 BG	FAPD 2.5 GN
Cat. no.	3423.2	3423.2	3423.1
Qty.	20	20	20
Insulated cross-connector FQI	FQI 2.5/2 YE	FQI 2.5/2 YE	
Cat. no.	3462.8	3462.8	
Qty.	50	50	
Insulated cross-connector FQI	FQI 2.5/3 YE	FQI 2.5/3 YE	
Cat. no.	3463.8	3463.8	
Qty.	50	50	
Insulated cross-connector FQI	FQI 2.5/4 YE	FQI 2.5/4 YE	
Cat. no.	3464.8	3464.8	
Qty.	20	20	
Insulated cross-connector FQI	FQI 2.5/5 YE	FQI 2.5/5 YE	
Cat. no.	3465.8	3465.8	
Qty.	20	20	
Insulated cross-connector FQI	FQI 2.5/6 YE	FQI 2.5/6 YE	
Cat. no.	3466.8	3466.8	
Qty.	20	20	
Insulated cross-connector FQI	FQI 2.5/7 YE	FQI 2.5/7 YE	
Cat. no.	3467.8	3467.8	
Qty.	20	20	
Insulated cross-connector FQI	FQI 2.5/8 YE	FQI 2.5/8 YE	
Cat. no.	3468.8	3468.8	
Qty.	10	10	
Insulated cross-connector FQI	FQI 2.5/9 YE	FQI 2.5/9 YE	
Cat. no.	3469.8	3469.8	
Qty.	10	10	
Insulated cross-connector FQI	FQI 2.5/10 YE	FQI 2.5/10 YE	
Cat. no.	3460.8	3460.8	
Qty.	10	10	
Labelling adapter FBA	FBA 1 BG	FBA 1 BG	FBA 1 BG
Cat. no.	3424.2	3424.2	3424.2
Qty.	50	50	50
Four-way cover FAD	FAD 2.5/4/B YE	FAD 2.5/4/B YE	FAD 2.5/4/B YE
Cat. no.	3426.8	3426.8	3426.8
Qty.	20	20	20
End stop ZES	ZES 35/2 BG	ZES 35/2 BG	ZES 35/2 BG
Cat. no.	3811.2	3811.2	3811.2
Qty.	50	50	50
Screwdriver SDB	SDB 0.4 x 2.0	SDB 0.4 x 2.0	SDB 0.4 x 2.0
Cat. no.	3164.0	3164.0	3164.0
Qty.	1	1	1
Quick marking PMC SB	PMC SB 5/50 WH	PMC SB 5/50 WH	PMC SB 5/50 WH
Cat. no.	4600.7	4600.7	4600.7
Qty.	500	500	500




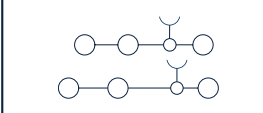
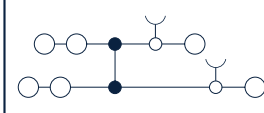
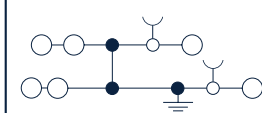
FRKD 2.5/N/DU			FRKD 2.5/DU/PE			FRKD 2.5/N/PE			FBA 1		
											
											
Feed-through terminal 2 x 2 connections			Feed-through/PE terminal 2 x 2 connections			Feed-through/PE terminal 2 x 2 connections			Labelling adapter		
Push-in			Push-in			Push-in					
75.4 x 5.1 x 53			75.4 x 5.1 x 53			75.4 x 5.1 x 53			22 x 5 x 13		
75.4 x 5.1 x 66			75.4 x 5.1 x 66			75.4 x 5.1 x 66					
FRKD 2.5/N/DU BG ●			FRKD 2.5/DU/PE BG ●			FSLD 2.5/N/PE BG ●			FBA 1 BG ●		
3233.2 100			3234.2 100			3235.2 100			3424.2 50		
IEC 500 300 600			IEC 500 300 600			IEC 500 300 600					
24 20 5			24 20 5			24 20 5					
2.5/26-12			2.5/26-12			2.5/26-12					
6/3			6/3			6/3					
A3/V-0			A3/V-0			A3/V-0					
0.2-4/-			0.2-4/-			0.2-4/-					
0.2-4/0.2-2.5			0.2-4/0.2-2.5			0.2-4/0.2-2.5					
0.2-4			0.2-4			0.2-4					
12			12			12					
PA 6.6 / -40 °C to +120 °C			PA 6.6 / -40 °C to +120 °C			PA 6.6 / -40 °C to +120 °C					
2/-			2/-			2/-					
FAPD 2.5 BG			FAPD 2.5 BG			FAPD 2.5 BG					
3423.2 20			3423.2 20			3423.2 20					
FQI 2.5/2 YE			FQI 2.5/2 YE			FQI 2.5/2 YE					
3462.8 50			3462.8 50			3462.8 50					
FQI 2.5/3 YE			FQI 2.5/3 YE			FQI 2.5/3 YE					
3463.8 50			3463.8 50			3463.8 50					
FQI 2.5/4 YE			FQI 2.5/4 YE			FQI 2.5/4 YE					
3464.8 20			3464.8 20			3464.8 20					
FQI 2.5/5 YE			FQI 2.5/5 YE			FQI 2.5/5 YE					
3465.8 20			3465.8 20			3465.8 20					
FQI 2.5/6 YE			FQI 2.5/6 YE			FQI 2.5/6 YE					
3466.8 20			3466.8 20			3466.8 20					
FQI 2.5/7 YE			FQI 2.5/7 YE			FQI 2.5/7 YE					
3467.8 20			3467.8 20			3467.8 20					
FQI 2.5/8 YE			FQI 2.5/8 YE			FQI 2.5/8 YE					
3468.8 10			3468.8 10			3468.8 10					
FQI 2.5/9 YE			FQI 2.5/9 YE			FQI 2.5/9 YE					
3469.8 10			3469.8 10			3469.8 10					
FQI 2.5/10 YE			FQI 2.5/10 YE			FQI 2.5/10 YE					
3460.8 10			3460.8 10			3460.8 10					
FBA 1 BG			FBA 1 BG			FBA 1 BG					
3424.2 50			3424.2 50			3424.2 50					
FAD 2.5/4/B YE			FAD 2.5/4/B YE			FAD 2.5/4/B YE					
3426.8 20			3426.8 20			3426.8 20					
ZES 35/2 BG			ZES 35/2 BG			ZES 35/2 BG					
3811.2 50			3811.2 50			3811.2 50					
SDB 0.4x2.0			SDB 0.4x2.0			SDB 0.4x2.0					
3164.0 1			3164.0 1			3164.0 1					
PMC SB 5/50 WH			PMC SB 5/50 WH			PMC SB 5/50 WH					
4600.7 500			4600.7 500			4600.7 500					

Double-level terminals with electronic components FRKD

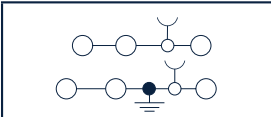
Push-in connection system		FRKD 2.5/LED1	FRKD 2.5/LED2	FRKD 2.5/D1
<ul style="list-style-type: none"> Foot base can be snapped on TS 35 DIN rail Housing made of polyamide 6.6 UL 94 V-0 				
Connection diagram				
Description		Feed-through terminal 2 x 2 connections	Feed-through terminal 2 x 2 connections	Feed-through terminal 2 x 2 connections
Connection type		Push-in	Push-in	Push-in
Size (L x W x H) with TS 35 x 7.5, mm		75.4 x 5.1 x 53	75.4 x 5.1 x 53	75.4 x 5.1 x 53
Size (L x W x H with labelling adapter) with TS 35 x 7.5, mm				75.4 x 5.1 x 66
Type / colour		FRKD 2.5/LED1(RD)/24 V DC BG ●	FRKD 2.5/LED2(RD)/24 V DC BG ●	FRKD 2.5/D1 BG ●
Cat. no.	Qty.	3237.2 100	3238.2 100	3230.2 100
Type / colour				
Cat. no.	Qty.			
Ratings		IEC CSAAus CSA	IEC CSAAus CSA	IEC CSAAus CSA
Rated voltage (V)		24	24	Soldered diode 1N4007 / reverse voltage 1000 V/current 1 A
Rated current (A)		24	24	
Rated cross-section, mm ² / AWG		2.5 / 26-12	2.5 / 26-12	2.5 / 26-12
Rated surge voltage, kV / Contamination degree		6 / 3	6 / 3	6 / 3
Plug gauge acc. to EN 60 947-1 / Flamm. class acc. to UL 94		A3 / V-0	A3 / V-0	A3 / V-0
Connection data				
Single wire (solid) / stranded (flexible), mm ²		0.2-4 / -	0.2-4 / -	0.2-4 / -
Finely-stranded / finely-stranded (w/ferrules acc. to DIN 46228/1), mm ²		0.2-4 / 0.2-2.5	0.2-4 / 0.2-2.5	0.2-4 / 0.2-2.5
Clamping range, mm ²		0.2-4	0.2-4	0.2-4
Stripping length, mm		12	12	12
Cross-current via LED, mA		5	5	-
Features				
Material of insulated housing / Temperature range		PA 6.6 / -40 °C to +120 °C	PA 6.6 / -40 °C to +120 °C	PA 6.6 / -40 °C to +120 °C
Number of cross-connection channels / Test pick-off option		1 / -	1 / -	2 / -
Accessories				
End plate FAPD		FAPD 2.5 BG	FAPD 2.5 BG	FAPD 2.5 BG
Cat. no.	Qty.	3423.2 20	3423.2 20	3423.2 20
Insulated cross-connector FQI		FQI 2.5/2 YE	FQI 2.5/2 YE	FQI 2.5/2 YE
Cat. no.	Qty.	3462.8 50	3462.8 50	3462.8 50
Insulated cross-connector FQI		FQI 2.5/3 YE	FQI 2.5/3 YE	FQI 2.5/3 YE
Cat. no.	Qty.	3463.8 50	3463.8 50	3463.8 50
Insulated cross-connector FQI		FQI 2.5/4 YE	FQI 2.5/4 YE	FQI 2.5/4 YE
Cat. no.	Qty.	3464.8 20	3464.8 20	3464.8 20
Insulated cross-connector FQI		FQI 2.5/5 YE	FQI 2.5/5 YE	FQI 2.5/5 YE
Cat. no.	Qty.	3465.8 20	3465.8 20	3465.8 20
Insulated cross-connector FQI		FQI 2.5/6 YE	FQI 2.5/6 YE	FQI 2.5/6 YE
Cat. no.	Qty.	3466.8 20	3466.8 20	3466.8 20
Insulated cross-connector FQI		FQI 2.5/7 YE	FQI 2.5/7 YE	FQI 2.5/7 YE
Cat. no.	Qty.	3467.8 20	3467.8 20	3467.8 20
Insulated cross-connector FQI		FQI 2.5/8 YE	FQI 2.5/8 YE	FQI 2.5/8 YE
Cat. no.	Qty.	3468.8 10	3468.8 10	3468.8 10
Insulated cross-connector FQI		FQI 2.5/9 YE	FQI 2.5/9 YE	FQI 2.5/9 YE
Cat. no.	Qty.	3469.8 10	3469.8 10	3469.8 10
Insulated cross-connector FQI		FQI 2.5/10 YE	FQI 2.5/10 YE	FQI 2.5/10 YE
Cat. no.	Qty.	3460.8 10	3460.8 10	3460.8 10
Labelling adapter FBA				FBA 1 BG
Cat. no.	Qty.			3424.2 50
Four-way cover FAD		FAD 2.5/4/B YE	FAD 2.5/4/B YE	FAD 2.5/4/B YE
Cat. no.	Qty.	3426.8 20	3426.8 20	3426.8 20
End stop ZES		ZES 35/2 BG	ZES 35/2 BG	ZES 35/2 BG
Cat. no.	Qty.	3811.2 50	3811.2 50	3811.2 50
Screwdriver SDB		SDB 0.4 x 2.0	SDB 0.4 x 2.0	SDB 0.4 x 2.0
Cat. no.	Qty.	3164.0 1	3164.0 1	3164.0 1
Quick marking PMC SB		PMC SB 5/50 WH	PMC SB 5/50 WH	PMC SB 5/50 WH
Cat. no.	Qty.	4600.7 500	4600.7 500	4600.7 500

FRKD 2.5/D2			FRKD 2.5/D3			FRKD 2.5/D4			FRKD 2.5/D5		
											
											
Feed-through terminal 2 x 2 connections			Feed-through terminal 2 x 2 connections			Feed-through terminal 2 x 2 connections			Feed-through terminal 2 x 2 connections		
Push-in			Push-in			Push-in			Push-in		
75.4 x 5.1 x 53			75.4 x 5.1 x 53			75.4 x 5.1 x 53			75.4 x 5.1 x 53		
75.4 x 5.1 x 66			75.4 x 5.1 x 66			75.4 x 5.1 x 66			75.4 x 5.1 x 66		
FRKD 2.5/D2 BG ●			FRKD 2.5/D3 BG ●			FRKD 2.5/D4 BG ●			FRKD 2.5/D5 BG ●		
3253.2			3254.2			3255.2			3256.2		
100			100			100			100		
IEC	CSAus	CSA	IEC	CSAus	CSA	IEC	CSAus	CSA	IEC	CSAus	CSA
Soldered diode 1N4007 / reverse voltage 1000 V/current 1 A			Soldered diode 1N4007 / reverse voltage 1000 V/current 1 A			Soldered diode 1N4007 / reverse voltage 1000 V/current 1 A			Soldered diode 1N4007 / reverse voltage 1000 V/current 1 A		
2.5 / 26-12			2.5 / 26-12			2.5 / 26-12			2.5 / 26-12		
6 / 3			6 / 3			6 / 3			6 / 3		
A3 / V-0			A3 / V-0			A3 / V-0			A3 / V-0		
0.2-4 / -			0.2-4 / -			0.2-4 / -			0.2-4 / -		
0.2-4 / 0.2-2.5			0.2-4 / 0.2-2.5			0.2-4 / 0.2-2.5			0.2-4 / 0.2-2.5		
0.2-4			0.2-4			0.2-4			0.2-4		
12			12			12			12		
-			-			-			-		
PA 6.6 / -40 °C to +120 °C			PA 6.6 / -40 °C to +120 °C			PA 6.6 / -40 °C to +120 °C			PA 6.6 / -40 °C to +120 °C		
2 / -			2 / -			2 / -			2 / -		
FAPD 2.5 BG			FAPD 2.5 BG			FAPD 2.5 BG			FAPD 2.5 BG		
3423.2	20		3423.2	20		3423.2	20		3423.2	20	
FQI 2.5/2 YE			FQI 2.5/2 YE			FQI 2.5/2 YE			FQI 2.5/2 YE		
3462.8	50		3462.8	50		3462.8	50		3462.8	50	
FQI 2.5/3 YE			FQI 2.5/3 YE			FQI 2.5/3 YE			FQI 2.5/3 YE		
3463.8	50		3463.8	50		3463.8	50		3463.8	50	
FQI 2.5/4 YE			FQI 2.5/4 YE			FQI 2.5/4 YE			FQI 2.5/4 YE		
3464.8	20		3464.8	20		3464.8	20		3464.8	20	
FQI 2.5/5 YE			FQI 2.5/5 YE			FQI 2.5/5 YE			FQI 2.5/5 YE		
3465.8	20		3465.8	20		3465.8	20		3465.8	20	
FQI 2.5/6 YE			FQI 2.5/6 YE			FQI 2.5/6 YE			FQI 2.5/6 YE		
3466.8	20		3466.8	20		3466.8	20		3466.8	20	
FQI 2.5/7 YE			FQI 2.5/7 YE			FQI 2.5/7 YE			FQI 2.5/7 YE		
3467.8	20		3467.8	20		3467.8	20		3467.8	20	
FQI 2.5/8 YE			FQI 2.5/8 YE			FQI 2.5/8 YE			FQI 2.5/8 YE		
3468.8	10		3468.8	10		3468.8	10		3468.8	10	
FQI 2.5/9 YE			FQI 2.5/9 YE			FQI 2.5/9 YE			FQI 2.5/9 YE		
3469.8	10		3469.8	10		3469.8	10		3469.8	10	
FQI 2.5/10 YE			FQI 2.5/10 YE			FQI 2.5/10 YE			FQI 2.5/10 YE		
3460.8	10		3460.8	10		3460.8	10		3460.8	10	
FBA 1 BG			FBA 1 BG			FBA 1 BG			FBA 1 BG		
3424.2	50		3424.2	50		3424.2	50		3424.2	50	
FAD 2.5/4/B YE			FAD 2.5/4/B YE			FAD 2.5/4/B YE			FAD 2.5/4/B YE		
3426.8	20		3426.8	20		3426.8	20		3426.8	20	
ZES 35/2 BG			ZES 35/2 BG			ZES 35/2 BG			ZES 35/2 BG		
3811.2	50		3811.2	50		3811.2	50		3811.2	50	
SDB 0.4x2.0			SDB 0.4x2.0			SDB 0.4x2.0			SDB 0.4x2.0		
3164.0	1		3164.0	1		3164.0	1		3164.0	1	
PMC SB 5/50 WH			PMC SB 5/50 WH			PMC SB 5/50 WH			PMC SB 5/50 WH		
4600.7	500		4600.7	500		4600.7	500		4600.7	500	

Double-level feed-through terminals FRKD 2.5/3A | Double-level PE terminals FSLD 2.5/3A

Push-in connection system	FRKD 2.5/3A	FRKD 2.5/3A/SV	FSLD 2.5/3A
<ul style="list-style-type: none"> • Foot base can be snapped on TS 35 DIN rail • Housing made of polyamide 6.6 UL 94 V-0 			
Connection diagram			
Description	Feed-through terminal 2 x 3 connections	Feed-through terminal 6 connections	Protective earth terminal 6 connections
Connection type	Push-in	Push-in	Push-in
Size (L x W x H) with TS 35 x 7.5, mm	97.5 x 5.1 x 52.5	97.5 x 5.1 x 52.5	97.5 x 5.1 x 52.5
Type / colour	FRKD 2.5/3A BG ●	FRKD 2.5/3A/SV BG ●	FSLD 2.5/3A GNYE ●
<i>Cat. no.</i>	3206.2	3207.2	3208.2
Qty.	50	50	50
Type / colour	FRKD 2.5/3A BU ●	FRKD 2.5/3A/SV BU ●	
<i>Cat. no.</i>	3206.5	3207.5	
Qty.	50	50	
Type / colour	FRKD 2.5/3A OG ●	FRKD 2.5/3A/SV OG ●	
<i>Cat. no.</i>	3206.3	3207.3	
Qty.	50	50	
Ratings	IEC UL cUL	IEC UL cUL	IEC UL cUL
Rated voltage (V)	500 300 300	500 300 300	
Rated current (A)	24 15 15	24 15 15	
Rated cross-section, mm ² / AWG	2.5 / 26-14	2.5 / 26-14	2.5 / 26-14
Rated surge voltage, kV / Contamination degree	6 / 3	6 / 3	6 / 3
Plug gauge acc. to EN 60 947-1 / Flamm. class acc. to UL 94	A3 / V-0	A3 / V-0	A3 / V-0
Connection data			
Single wire (solid) / stranded (flexible), mm ²	0.2-4 / -	0.2-4 / -	0.2-4 / -
Finely-stranded / finely-stranded (w/ferrules acc. to DIN 46228/1), mm ²	0.2-4 / 0.2-2.5	0.2-4 / 0.2-2.5	0.2-4 / 0.2-2.5
Clamping range, mm ²	0.2-4	0.2-4	0.2-4
Stripping length, mm	12	12	12
Features			
Material of insulated housing / Temperature range	PA 6.6 / -40 °C to +120 °C	PA 6.6 / -40 °C to +120 °C	PA 6.6 / -40 °C to +120 °C
Number of cross-connection channels / Test pick-off option	2 / 0	2 / 0	2 / 0
Accessories			
End plate FAPD	FAPD 2.5/3A BG	FAPD 2.5/3A BG	FAPD 2.5/3A GN
<i>Cat. no.</i>	17422.2	17422.2	17422.1
Qty.	20	20	20
Insulated cross-connector FQI	FQI 2.5/2 YE	FQI 2.5/2 YE	
<i>Cat. no.</i>	3462.8	3462.8	
Qty.	50	50	
Insulated cross-connector FQI	FQI 2.5/3 YE	FQI 2.5/3 YE	
<i>Cat. no.</i>	3463.8	3463.8	
Qty.	50	50	
Insulated cross-connector FQI	FQI 2.5/4 YE	FQI 2.5/4 YE	
<i>Cat. no.</i>	3464.8	3464.8	
Qty.	20	20	
Insulated cross-connector FQI	FQI 2.5/5 YE	FQI 2.5/5 YE	
<i>Cat. no.</i>	3465.8	3465.8	
Qty.	20	20	
Insulated cross-connector FQI	FQI 2.5/6 YE	FQI 2.5/6 YE	
<i>Cat. no.</i>	3466.8	3466.8	
Qty.	20	20	
Insulated cross-connector FQI	FQI 2.5/7 YE	FQI 2.5/7 YE	
<i>Cat. no.</i>	3467.8	3467.8	
Qty.	20	20	
Insulated cross-connector FQI	FQI 2.5/8 YE	FQI 2.5/8 YE	
<i>Cat. no.</i>	3468.8	3468.8	
Qty.	10	10	
Insulated cross-connector FQI	FQI 2.5/9 YE	FQI 2.5/9 YE	
<i>Cat. no.</i>	3469.8	3469.8	
Qty.	10	10	
Insulated cross-connector FQI	FQI 2.5/10 YE	FQI 2.5/10 YE	
<i>Cat. no.</i>	3460.8	3460.8	
Qty.	10	10	
Labelling adapter FBA	FBA 1 BG	FBA 1 BG	FBA 1 BG
<i>Cat. no.</i>	3424.2	3424.2	3424.2
Qty.	50	50	50
Four-way cover FAD	FAD 2.5/4/B YE	FAD 2.5/4/B YE	FAD 2.5/4/B YE
<i>Cat. no.</i>	3426.8	3426.8	3426.8
Qty.	20	20	20
End stop ZES	ZES 35/2 BG	ZES 35/2 BG	ZES 35/2 BG
<i>Cat. no.</i>	3811.2	3811.2	3811.2
Qty.	50	50	50
Screwdriver SDB	SDB 0.4 x 2.0	SDB 0.4 x 2.0	SDB 0.4 x 2.0
<i>Cat. no.</i>	3164.0	3164.0	3164.0
Qty.	1	1	1
Quick marking PMC SB	PMC SB 5/50 WH	PMC SB 5/50 WH	PMC SB 5/50 WH
<i>Cat. no.</i>	4600.7	4600.7	4600.7
Qty.	500	500	500

FRKD 2.5/3A/ DU/PE



Feed-through/PE terminal
2 x 3 connections

Push-in

97.5 x 5.1 x 52.5

FRKD 2.5/3A/DU/PE BG ●

3209.2 50

IEC	UL	cUL
500	300	300
24	15	15
2.5 / 26 - 14		
6 / 3		
A3 / V-0		
0.2 - 4 / -		
0.2 - 4 / 0.2 - 2.5		
0.2 - 4		
12		
PA 6,6 / -40 °C to +120 °C		
2 / 0		
FAPD 2.5/3A BG		
17422.2		20
FQI 2.5/2 YE		
3462.8		50
FQI 2.5/3 YE		
3463.8		50
FQI 2.5/4 YE		
3464.8		20
FQI 2.5/5 YE		
3465.8		20
FQI 2.5/6 YE		
3466.8		20
FQI 2.5/7 YE		
3467.8		20
FQI 2.5/8 YE		
3468.8		10
FQI 2.5/9 YE		
3469.8		10
FQI 2.5/10 YE		
3460.8		10
FBA 1 BG		
3424.2		50
FAD 2.5/4/B YE		
3426.8		20
ZES 35/2 BG		
3811.2		50
SDB 0.4 x 2.0		
3164.0		1
PMC SB 5/50 WH		
4600.7		500

500 300 300

24 15 15

2.5 / 26 - 14

6 / 3

A3 / V-0

0.2 - 4 / -

0.2 - 4 / 0.2 - 2.5

0.2 - 4

12

PA 6,6 / -40 °C to +120 °C

2 / 0

FAPD 2.5/3A BG

17422.2 20

FQI 2.5/2 YE

3462.8 50

FQI 2.5/3 YE

3463.8 50

FQI 2.5/4 YE

3464.8 20

FQI 2.5/5 YE

3465.8 20

FQI 2.5/6 YE

3466.8 20

FQI 2.5/7 YE

3467.8 20

FQI 2.5/8 YE

3468.8 10

FQI 2.5/9 YE

3469.8 10

FQI 2.5/10 YE

3460.8 10

FBA 1 BG

3424.2 50

FAD 2.5/4/B YE

3426.8 20

ZES 35/2 BG

3811.2 50

SDB 0.4 x 2.0

3164.0 1

PMC SB 5/50 WH

4600.7 500



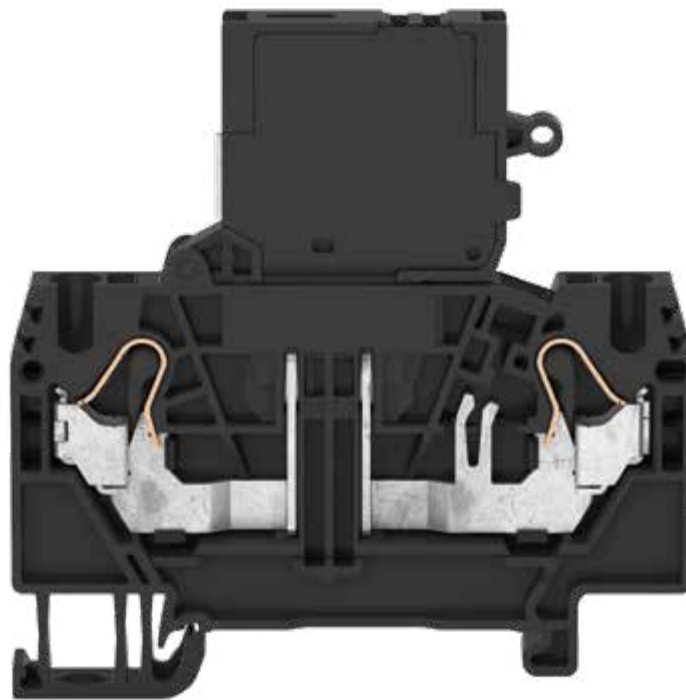
Push-in connection system

Fuse-disconnect terminals FSIK

The fuse-disconnect terminals **FSIK** feature an extraction lever that locks into its end position. This allows a spare fuse to be attached inside or an illuminated display to be mounted.

One cross-connection channel within the fuse-disconnect terminals allows for a potential to be distributed to adjacent fused terminals from the **FSIK** series. For multiplying the potentials, we offer the **FQI** standard connection system, available from 2 to 10 poles. Two or three disconnect levers can be coupled and operated simultaneously by using the **VBS** connection sleeves

Versions are available with or without the status display.






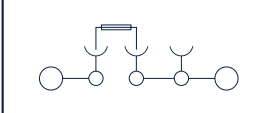
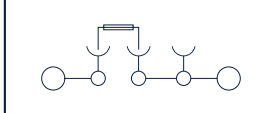
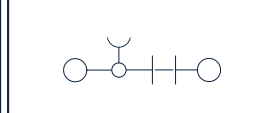
The advantages

- Wire insertion requires no tools
- Less insertion force
- Cross-connect option at any level
- Comprehensive marking options
- Integrated status display or space for spare fuse



Features

- Push-in connection system
- Fused terminals 4 mm²
- Separating the contact via screwdriver
- Pluggable cross-connection system FQI
- Material: PA 6.6 UL 94 V-0

Push-in connection system		FSIK 4/2A	FSIK 4/2A/LED	FSIK 4/2A/MT
<ul style="list-style-type: none"> • Foot base can be snapped on TS 35 DIN rail • Housing made of polyamide 6.6 UL 94 V-0 				
Connection diagram				
Description		Fuse-disconnect terminal 2 connections/hinged lever	Fuse-disconnect terminal 2 connections/hinged lever	Disconnect-blade terminal 2 connections
Connection type		Push-in	Push-in	Push-in
Size (L x W x H), mm		67.5 x 6.1 x 69	67.5 x 6.1 x 69	67.5 x 6.1 x 46
Size (L x W x H) with TS 35 x 7.5, mm		67.5 x 6.1 x 70	67.5 x 6.1 x 70	67.5 x 6.1 x 47
Type / colour		FSIK 4/2A BK ●	FSIK 4/2A/LED/12-30V AC/DC BK ●	FSIK 4/2A/MT BK ●
Cat. no.	Qty.	3290.4 25	3291.4 25	3239.4 50
Type / colour			FSIK 4/2A/LED/30-60V AC/DC BK ●	
Cat. no.	Qty.		3292.4 25	
Type / colour			FSIK 4/2A/LED/110-250V AC/DC BK ●	
Cat. no.	Qty.		3293.4 25	
Ratings		IEC UL cUL	IEC UL cUL	IEC* UL* cUL*
Rated voltage (V)		250 300 300	See above	400 300 300
Rated current (A)		6.3 6.3 6.3	6.3 6.3 6.3	18 15 15
Rated cross-section, mm ² / AWG		4 / 24 – 10	4 / 24 – 10	4 / 24 – 10
Rated surge voltage, kV / Contamination degree		6 / 3	6 / 3	6 / 3
Plug gauge acc. to EN 60 947-1 / Flamm. class acc. to UL 94		A3 / V-0	A3 / V-0	A3 / V-0
Max. power loss on fuse, W		1.6	1.6	
Connection data				
Single wire (solid) / stranded (flexible), mm ²		0.2 – 4 / -	0.2 – 4 / -	0.2 – 4 / -
Finely-stranded / finely-stranded (w/ferrules acc. to DIN 46228/1), mm ²		0.2 – 2.5 / 0.2 – 2.5	0.2 – 2.5 / 0.2 – 2.5	0.2 – 2.5 / 0.2 – 2.5
Clamping range, mm ²		0.2 – 4	0.2 – 4	0.2 – 4
Stripping length, mm		12	12	12
Fuse size, mm		5 x 20	5 x 20	
Cross-current via LED, mA		5	5	
Features				
Material of insulated housing / Temperature range		PA 6.6 / -40 °C to +120 °C	PA 6.6 / -40 °C to +120 °C	PA 6.6 / -40 °C to +120 °C
Number of cross-connection channels / Test pick-off option		1 / 0	1 / 0	1 / 0
Accessories				
End plate FAPSI		FAPSI 4/2A BK	FAPSI 4/2A BK	FAPSI 4/2A BK
Cat. no.	Qty.	3489.4 20	3489.4 20	3489.4 20
Insulated cross-connector FQI		FQI 4/2 YE	FQI 4/2 YE	FQI 4/2 YE
Cat. no.	Qty.	3472.8 50	3472.8 50	3472.8 50
Insulated cross-connector FQI		FQI 4/3 YE	FQI 4/3 YE	FQI 4/3 YE
Cat. no.	Qty.	3473.8 20	3473.8 20	3473.8 20
Insulated cross-connector FQI		FQI 4/4 YE	FQI 4/4 YE	FQI 4/4 YE
Cat. no.	Qty.	3474.8 20	3474.8 20	3474.8 20
Insulated cross-connector FQI		FQI 4/5 YE	FQI 4/5 YE	FQI 4/5 YE
Cat. no.	Qty.	3475.8 20	3475.8 20	3475.8 20
Insulated cross-connector FQI		FQI 4/6 YE	FQI 4/6 YE	FQI 4/6 YE
Cat. no.	Qty.	3476.8 20	3476.8 20	3476.8 20
Insulated cross-connector FQI		FQI 4/7 YE	FQI 4/7 YE	FQI 4/7 YE
Cat. no.	Qty.	3477.8 10	3477.8 10	3477.8 10
Insulated cross-connector FQI		FQI 4/8 YE	FQI 4/8 YE	FQI 4/8 YE
Cat. no.	Qty.	3478.8 10	3478.8 10	3478.8 10
Insulated cross-connector FQI		FQI 4/9 YE	FQI 4/9 YE	FQI 4/9 YE
Cat. no.	Qty.	3479.8 10	3479.8 10	3479.8 10
Insulated cross-connector FQI		FQI 4/10 YE	FQI 4/10 YE	FQI 4/10 YE
Cat. no.	Qty.	3470.8 10	3470.8 10	3470.8 10
Insulated cross-connector VBS		VBS 2/10 OG	VBS 2/10 OG	
Cat. no.	Qty.	2873.3 20	2873.3 20	
Insulated cross-connector VBS		VBS 3/10 OG	VBS 3/10 OG	
Cat. no.	Qty.	2874.3 20	2874.3 20	
End stop ZES		ZES 35/2 BG	ZES 35/2 BG	ZES 35/2 BG
Cat. no.	Qty.	3811.2 50	3811.2 50	3811.2 50
Screwdriver SDB		SDB 0.4x2.0	SDB 0.4x2.0	SDB 0.4x2.0
Cat. no.	Qty.	3164.0 1	3164.0 1	3164.0 1
Quick marking PMC SB		PMC SB 6/50 WH	PMC SB 6/50 WH	PMC SB 6/50 WH
Cat. no.	Qty.	4702.7 500	4702.7 500	4702.7 500
Wire-end ferrule for compact connection spaces		H 4,0/20-D SR GR	H 4,0/20-D SR GR	H 4,0/20-D SR GR
Cat. no.	Qty.	3194.0 500	3194.0 500	3194.0 500

* Approval applied for.

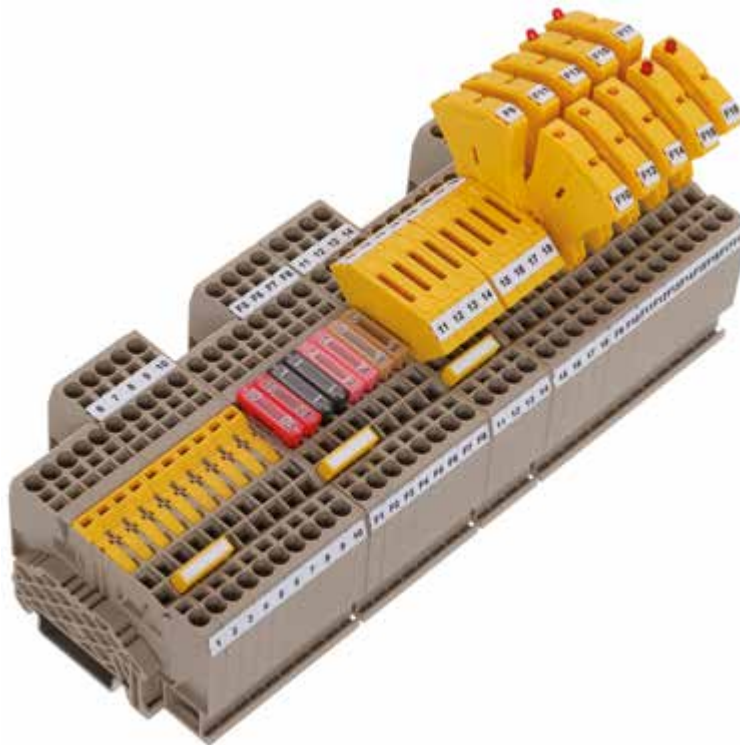
Disconnect-blade terminals | Disconnect terminals | Fused-disconnect terminals FTRK



Push-in connection system

The **ZTRK** base terminal product line can be combined in different ways with the product-related line of accessories as two-wire and three-wire variants. Without any assembly, the two base terminals can receive auto-fuses or diode plugs. Alternatively, the base terminals are available equipped with a disconnect blade or a fuse holder for G fuses. The functions of all versions can be changed by removing or adding the disconnect blade, the fuse holder, or the diode plug. The plug-in fuse holders are available as models with or without a status display. They offer great flexibility, easy handling and a wide selection of 5 x 20 mm G fuses. Solid wires and flexible wires with wire-end ferrules can be inserted into the connection mechanism without the need for tools. The Push-in spring opens automatically when the wire is inserted facilitating a secure contact with the busbar. A standard screwdriver can be used to open the clamp for release or for

the insertion of stranded wire without ferrules. For the fuse and disconnect terminals with Push-in connections, there are eight terminals blocks with disconnect blades and disconnect plugs available in the Push-in connection system, as well as a fuse holder for auto-fuses and micro-fuses. Each of the Push-in terminal blocks can be equipped with the standard accessories: the **FQI 2.5** (cross connector) and the **PMC SB 5** (Pocket-Maxicard quick marking system).



The advantages

- Wire insertion requires no tools
- Less insertion force
- Comprehensive marking options
- Modularity thanks to replaceable functional elements



Features

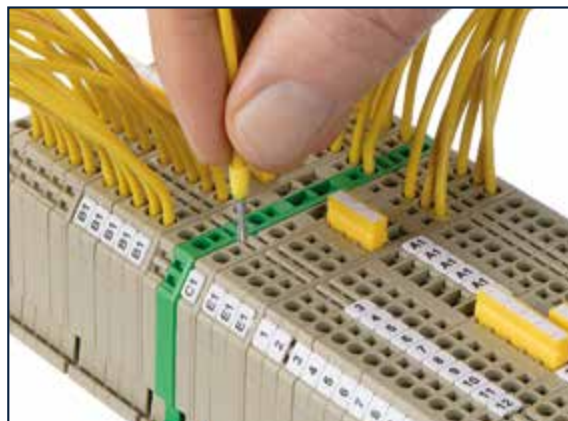
- Push-in connection system
- Neutral disconnect terminals/ fused terminals 2.5 mm²
- Separating the contact via screwdriver
- Pluggable cross-connection system FQI
- Material: PA 6.6 UL 94 V-0

Features

Wire connections

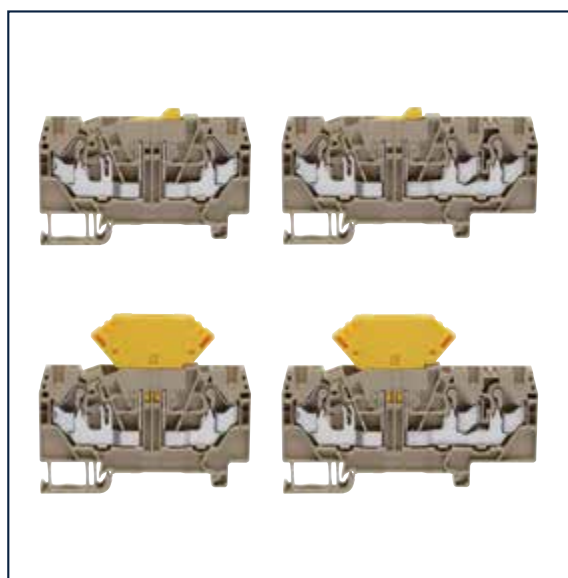
Solid wires and flexible wires with wire-end ferrules can be inserted into the connection mechanism without the need for tools.

The Push-in spring opens automatically when the wire is inserted facilitating a secure contact with the busbar. A standard screwdriver can be used to open the clamp for release or for the insertion of a stranded wire without ferrules.



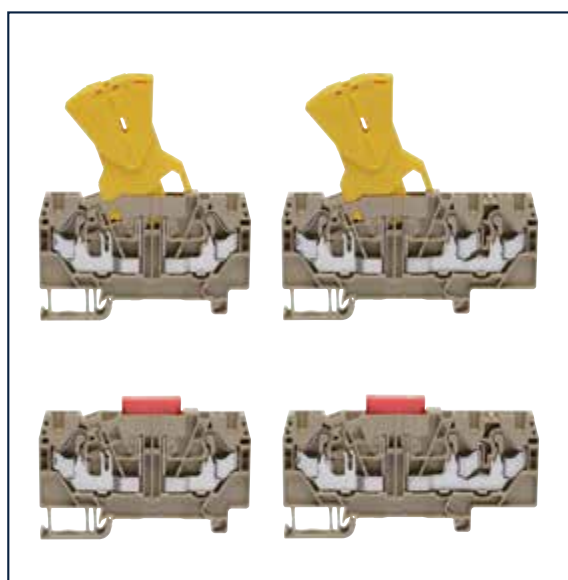
Disconnect terminals FTRK 2.5/.../MT and FTRK 2.5/.../ST

In the Push-in connection, two models (disconnect-plug/disconnect-blade) are available in the base terminal variations of 2- and 3-conductor systems. The proven **ZDS|ZTR** disconnect-plug and **FTRK 2.5.../MT** disconnect-blade systems with high surface quality and, therefore, low and stable transitional resistance, ensure accurate measurement results. They distinguish themselves by their narrow construction of only 5 mm and a high current capacity of 18 A. In addition to the **ZTR** disconnect-plug models (feed-through connection), **ZDS** diode plugs (1N4007) are also available. It is easy to distribute potential voltages in combination with the pluggable **FQI** cross connectors.



Fuse holders for auto-fuses/micro-fuses FTRK 2.5/.../OT and FTRK 2.5/.../ZS

The base terminals can hold auto-fuses without needing any accessories. With the fuse plug **ZS/H**, available in five variations, 5 x 20 mm fuses can be accommodated. The fuse plugs are available in variations with or without status display (different voltage ranges). With a rated voltage of 400 V, the rated current of the fuse plug is 6.3 A. In combination with the pluggable **FQI** cross connectors, it is easy to distribute voltage potentials.




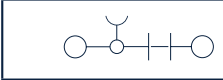
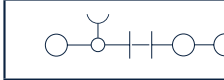
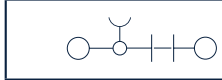










Cross-connection FQI

The **FQI** insulated cross-connections have a pluggable design and are available from 2 to 10 poles. They cross connect up to the rated current of the relevant **FTRK** terminals.









Disconnect-blade terminals | disconnect terminals FTRK

Push-in connection system		FTRK 2.5/2A/MT	FTRK 2.5/3A/MT	FTRK 2.5/2A/ST
<ul style="list-style-type: none"> Foot base can be snapped on TS 35 DIN rail Housing made of polyamide 6.6 UL 94 V-0 				
Connection diagram				
Description		Disconnect-blade terminal 2 connections	Disconnect-blade terminal 3 connections	Disconnect terminal 2 connections
Connection type		Push-in	Push-in	Push-in
Size (L x W x H) with TS 35 x 7.5, mm		67.5 x 5.1 x 45.6	82 x 5.1 x 45.6	67.5 x 5.1 x 59.5
Type / colour		FTRK 2.5/2A/MT BG 	FTRK 2.5/3A/MT BG 	FTRK 2.5/2A/ST BG 
Cat. no.	Qty.	3259.2 100	3260.2 100	3261.2 100
Type / colour		FTRK 2.5/2A/MT BU 	FTRK 2.5/3A/MT BU 	FTRK 2.5/2A/ST BU 
Cat. no.	Qty.	3259.5 100	3260.5 100	3261.5 100
Type / colour		FTRK 2.5/2A/MT OG 	FTRK 2.5/3A/MT OG 	
Cat. no.	Qty.	3259.3 100	3260.3 100	
Type / colour				
Cat. no.	Qty.			
Ratings		IEC 400 UL 300 CSA 300	IEC 400 UL 300 CSA 300	IEC 400 UL 300 CSA 300
Rated voltage (V)		400	400	400
Rated current (A)		18	18	18
Rated cross-section, mm ² / AWG		2.5 / 20-12	2.5 / 20-12	2.5 / 20-12
Rated surge voltage, kV / Contamination degree		6 / 3	6 / 3	6 / 3
Plug gauge acc. to EN 60 947-1 / Flamm. class acc. to UL 94		A3 / V-0	A3 / V-0	A3 / V-0
Connection data				
Single wire (solid) / stranded (flexible), mm ²		0.2-4 / -	0.2-4 / -	0.2-4 / -
Finely-stranded / finely-stranded (w/ferrules acc. to DIN 46228/1), mm ²		0.2-4 / 0.2-2.5	0.2-4 / 0.2-2.5	0.2-4 / 0.2-2.5
Clamping range, mm ²		0.2-4	0.2-4	0.2-4
Stripping length, mm		10	10	10
Features				
Material of insulated housing / Temperature range		PA 6.6 / -40 °C to +120 °C	PA 6.6 / -40 °C to +120 °C	PA 6.6 / -40 °C to +120 °C
Number of cross-connection channels / Test pick-off option		1 / -	1 / -	1 / -
Accessories				
End plate FAPT		FAPT 2.5/2A BG	FAPT 2.5/3A BG	FAPT 2.5/2A BG
Cat. no.	Qty.	3481.2 50	3482.2 50	3481.2 50
Insulated cross-connector FQI		FQI 2.5/2 YE	FQI 2.5/2 YE	FQI 2.5/2 YE
Cat. no.	Qty.	3462.8 50	3462.8 50	3462.8 50
Insulated cross-connector FQI		FQI 2.5/3 YE	FQI 2.5/3 YE	FQI 2.5/3 YE
Cat. no.	Qty.	3463.8 50	3463.8 50	3463.8 50
Insulated cross-connector FQI		FQI 2.5/4 YE	FQI 2.5/4 YE	FQI 2.5/4 YE
Cat. no.	Qty.	3464.8 20	3464.8 20	3464.8 20
Insulated cross-connector FQI		FQI 2.5/5 YE	FQI 2.5/5 YE	FQI 2.5/5 YE
Cat. no.	Qty.	3465.8 20	3465.8 20	3465.8 20
Insulated cross-connector FQI		FQI 2.5/6 YE	FQI 2.5/6 YE	FQI 2.5/6 YE
Cat. no.	Qty.	3466.8 20	3466.8 20	3466.8 20
Insulated cross-connector FQI		FQI 2.5/7 YE	FQI 2.5/7 YE	FQI 2.5/7 YE
Cat. no.	Qty.	3467.8 20	3467.8 20	3467.8 20
Insulated cross-connector FQI		FQI 2.5/8 YE	FQI 2.5/8 YE	FQI 2.5/8 YE
Cat. no.	Qty.	3468.8 10	3468.8 10	3468.8 10
Insulated cross-connector FQI		FQI 2.5/9 YE	FQI 2.5/9 YE	FQI 2.5/9 YE
Cat. no.	Qty.	3469.8 10	3469.8 10	3469.8 10
Insulated cross-connector FQI		FQI 2.5/10 YE	FQI 2.5/10 YE	FQI 2.5/10 YE
Cat. no.	Qty.	3460.8 10	3460.8 10	3460.8 10
Four-way cover FAD		FAD 2.5/4/B YE	FAD 2.5/4/B YE	FAD 2.5/4/B YE
Cat. no.	Qty.	3426.8 20	3426.8 20	3426.8 20
End stop ZES		ZES 35/2 BG	ZES 35/2 BG	ZES 35/2 BG
Cat. no.	Qty.	3811.2 50	3811.2 50	3811.2 50
Screwdriver SDB		SDB 0.4x2.0	SDB 0.4x2.0	SDB 0.4x2.0
Cat. no.	Qty.	3164.0 1	3164.0 1	3164.0 1
Quick marking PMC SB		PMC SB 5/50 WH	PMC SB 5/50 WH	PMC SB 5/50 WH
Cat. no.	Qty.	4600.7 500	4600.7 500	4600.7 500

FTRK 2.5/3A/ST			FTRK 2.5/2A/OT			FTRK 2.5/3A/OT			ZDS/ZTR		
Disconnect terminal 3 connections			Base terminal 2 connections			Base terminal 3 connections			Disconnect plug		
Push-in 82 x 5.1 x 59.5			Push-in 67.5 x 5.1 x 43			Push-in 82 x 5.1 x 43			Push-in		
FTRK 2.5/3A/ST BG ● 3262.2 100 FTRK 2.5/3A/ST BU ● 3262.5 100			FTRK 2.5/2A/OT BG ● 3257.2 100 FTRK 2.5/2A/OT BU ● 3257.5 100 FTRK 2.5/2A/OT OG ● 3257.3 100			FTRK 2.5/3A/OT BG ● 3258.2 100 FTRK 2.5/3A/OT BU ● 3258.5 100 FTRK 2.5/3A/OT OG ● 3258.3 100			ZDS 1/ZTR ●● 3612.2 20 ZDS 2/ZTR ●→● 3613.2 20 ZDS 3/ZTR ●←● 3614.2 20 ZDS 4/ZTR ●● 3615.2 20		
IEC 400	UL 300	CSA 300	IEC 400	UL 300	CSA 300	IEC 400	UL 300	CSA 300			
18	15	15	18	15	15	18	15	15			
2.5 / 20-12			2.5 / 20-12			2.5 / 20-12					
6 / 3			6 / 3			6 / 3					
A3 / V-0			A3 / V-0			A3 / V-0			- / V-0		
0.2-4 / -			0.2-4 / -			0.2-4 / -					
0.2-4 / 0.2-2.5			0.2-4 / 0.2-2.5			0.2-4 / 0.2-2.5					
0.2-4			0.2-4			0.2-4			3613.2 and 3614.2		
10			10			10			Soldered diode 1N4007		
									Reverse voltage 1000 V / Current 1 A		
PA 6.6 / -40 °C to +120 °C			PA 6.6 / -40 °C to +120 °C			PA 6.6 / -40 °C to +120 °C			PA 6.6 / -40 °C to +120 °C		
1 / -			1 / -			1 / -			- / -		
FAPT 2.5/3A BG 3482.2 50 FQI 2.5/2 YE 3462.8 50 FQI 2.5/3 YE 3463.8 50 FQI 2.5/4 YE 3464.8 20 FQI 2.5/5 YE 3465.8 20 FQI 2.5/6 YE 3466.8 20 FQI 2.5/7 YE 3467.8 20 FQI 2.5/8 YE 3468.8 10 FQI 2.5/9 YE 3469.8 10 FQI 2.5/10 YE 3460.8 10 FAD 2.5/4/B YE 3426.8 20 ZES 35/2 BG 3811.2 50 SDB 0.4x2.0 3164.0 1 PMC SB 5/50 WH 4600.7 500			FAPT 2.5/2A BG 3481.2 50 FQI 2.5/2 YE 3462.8 50 FQI 2.5/3 YE 3463.8 50 FQI 2.5/4 YE 3464.8 20 FQI 2.5/5 YE 3465.8 20 FQI 2.5/6 YE 3466.8 20 FQI 2.5/7 YE 3467.8 20 FQI 2.5/8 YE 3468.8 10 FQI 2.5/9 YE 3469.8 10 FQI 2.5/10 YE 3460.8 10 FAD 2.5/4/B YE 3426.8 20 ZES 35/2 BG 3811.2 50 SDB 0.4x2.0 3164.0 1 PMC SB 5/50 WH 4600.7 500			FAPT 2.5/3A BG 3482.2 50 FQI 2.5/2 YE 3462.8 50 FQI 2.5/3 YE 3463.8 50 FQI 2.5/4 YE 3464.8 20 FQI 2.5/5 YE 3465.8 20 FQI 2.5/6 YE 3466.8 20 FQI 2.5/7 YE 3467.8 20 FQI 2.5/8 YE 3468.8 10 FQI 2.5/9 YE 3469.8 10 FQI 2.5/10 YE 3460.8 10 FAD 2.5/4/B YE 3426.8 20 ZES 35/2 BG 3811.2 50 SDB 0.4x2.0 3164.0 1 PMC SB 5/50 WH 4600.7 500			PMC SB 5/50 WH 4600.7 500		

Fuse-disconnect terminals FTRK

Push-in connection system		FTRK 2.5/2A/ZS	FTRK 2.5/2A/ZS ...	FTRK 2.5/3A/ZS
<ul style="list-style-type: none"> Foot base can be snapped on TS 35 DIN rail Housing made of polyamide 6.6 UL 94 V-0 				
Connection diagram				
Description		Fuse-disconnect terminal 2 connections	Fuse-disconnect terminal 2 connections	Fuse-disconnect terminal 3 connections
Connection type		Push-in	Push-in	Push-in
Size (L x W x H) with TS 35 x 7.5, mm		67.5 x 5.1 x 81.2	67.5 x 5.1 x 81.2	82 x 5.1 x 81.2
Type / colour		FTRK 2.5/2A/ZS BG ●	FTRK 2.5/2A/ZS 36 BG ●	FTRK 2.5/3A/ST BG ●
Cat. no.	Qty.	3263.2 100	3264.2 10-36 V 100	3268.2 100
Type / colour		FTRK 2.5/2A/ZS BU ●	FTRK 2.5/2A/ZS 70 BG ●	FTRK 2.5/3A/ST BU ●
Cat. no.	Qty.	3263.5 100	3265.2 35-70 V 100	3268.5 100
Type / colour			FTRK 2.5/2A/ZS 150 BG ●	
Cat. no.	Qty.		3266.2 60-150 V 100	
Type / colour			FTRK 2.5/2A/ZS 250 BG ●	
Cat. no.	Qty.		3267.2 140-250 V 100	
Type / colour				
Cat. no.	Qty.			
Type / colour				
Cat. no.	Qty.			
Type / colour				
Cat. no.	Qty.			
Ratings		IEC UL CSA	IEC UL CSA	IEC UL CSA
Rated voltage (V)		400 300 300	See above	400 300 300
Rated current (A)		6.3 6.3 6.3	6.3 6.3 6.3	6.3 6.3 6.3
Rated cross-section, mm ² / AWG		2.5 / 20-12	2.5 / 20-12	2.5 / 20-12
Rated surge voltage, kV / Contamination degree		6 / 3	6 / 3	6 / 3
Max. power loss, W		1.6	1.6	1.6
Plug gauge acc. to EN 60 947-1 / Flamm. class acc. to UL 94		A3 / V-0	A3 / V-0	A3 / V-0
Connection data				
Single wire (solid) / stranded (flexible), mm ²		0.2-4 / -	0.2-4 / -	0.2-4 / -
Finely-stranded / finely-stranded (w/ferrules acc. to DIN 46228/1), mm ²		0.2-4 / 0.2-2.5	0.2-4 / 0.2-2.5	0.2-4 / 0.2-2.5
Clamping range, mm ²		0.2-4	0.2-4	0.2-4
Stripping length, mm		10	10	10
Cross-current via LED, (mA)		-	5	-
Fuse size, mm		5 x 20	5 x 20	5 x 20
Features				
Material of insulated housing / Temperature range		PA 6.6 / -40 °C to +120 °C	PA 6.6 / -40 °C to +120 °C	PA 6.6 / -40 °C to +120 °C
Number of cross-connection channels / Test pick-off option		1 / -	1 / -	1 / -
Accessories				
End plate FAPT		FAPT 2.5/2A BG	FAPT 2.5/2A BG	FAPT 2.5/3A BG
Cat. no.	Qty.	3481.2 50	3481.2 50	3482.2 50
Insulated cross-connector FQI	2-pole	FQI 2.5/2 YE	FQI 2.5/2 YE	FQI 2.5/2 YE
Cat. no.	Qty.	3462.8 50	3462.8 50	3462.8 50
Insulated cross-connector FQI	3-pole	FQI 2.5/3 YE	FQI 2.5/3 YE	FQI 2.5/3 YE
Cat. no.	Qty.	3463.8 50	3463.8 50	3463.8 50
Insulated cross-connector FQI	4-pole	FQI 2.5/4 YE	FQI 2.5/4 YE	FQI 2.5/4 YE
Cat. no.	Qty.	3464.8 20	3464.8 20	3464.8 20
Insulated cross-connector FQI	5-pole	FQI 2.5/5 YE	FQI 2.5/5 YE	FQI 2.5/5 YE
Cat. no.	Qty.	3465.8 20	3465.8 20	3465.8 20
Insulated cross-connector FQI	6-pole	FQI 2.5/6 YE	FQI 2.5/6 YE	FQI 2.5/6 YE
Cat. no.	Qty.	3466.8 20	3466.8 20	3466.8 20
Insulated cross-connector FQI	7-pole	FQI 2.5/7 YE	FQI 2.5/7 YE	FQI 2.5/7 YE
Cat. no.	Qty.	3467.8 20	3467.8 20	3467.8 20
Insulated cross-connector FQI	8-pole	FQI 2.5/8 YE	FQI 2.5/8 YE	FQI 2.5/8 YE
Cat. no.	Qty.	3468.8 10	3468.8 10	3468.8 10
Insulated cross-connector FQI	9-pole	FQI 2.5/9 YE	FQI 2.5/9 YE	FQI 2.5/9 YE
Cat. no.	Qty.	3469.8 10	3469.8 10	3469.8 10
Insulated cross-connector FQI	10-pole	FQI 2.5/10 YE	FQI 2.5/10 YE	FQI 2.5/10 YE
Cat. no.	Qty.	3460.8 10	3460.8 10	3460.8 10
Four-way cover FAD		FAD 2.5/4/B YE	FAD 2.5/4/B YE	FAD 2.5/4/B YE
Cat. no.	Qty.	3426.8 20	3426.8 20	3426.8 20
End stop ZES		ZES 35/2 BG	ZES 35/2 BG	ZES 35/2 BG
Cat. no.	Qty.	3811.2 50	3811.2 50	3811.2 50
Screwdriver SDB		SDB 0.4x2.0	SDB 0.4x2.0	SDB 0.4x2.0
Cat. no.	Qty.	3164.0 1	3164.0 1	3164.0 1
Quick marking PMC SB		PMC SB 5/50 WH	PMC SB 5/50 WH	PMC SB 5/50 WH
Cat. no.	Qty.	4600.7 500	4600.7 500	4600.7 500

FTRK 2.5/3A/ZS ...	FTRK 2.5/2A/OT	FTRK 2.5/3A/OT	ZS/H.../ZTR
			
			
Fuse-disconnect terminal 3 connections	Base terminal 2 connections	Base terminal 3 connections	Fuse plug 5 x 20 fuses
Push-in 82 x 5.1 x 81.2	Push-in 67.5 x 5.1 x 43	Push-in 82 x 5.1 x 43	Push-in
FTRK 2.5/3A/ZS 36 BG ● 3269.2 10–36 V 100	FTRK 2.5/2A/OT BG ● 3257.2 10–36 V 100	FTRK 2.5/3A/OT BG ● 3258.2 10–36 V 100	ZS/H0/ZTR 3635.2 10–36 V 20
FTRK 2.5/3A/ZS 70 BG ● 3270.2 35–70 V 100	FTRK 2.5/2A/OT BU ● 3257.5 35–70 V 100	FTRK 2.5/3A/OT BU ● 3258.5 35–70 V 100	ZS/H1/ZTR/36 3631.2 10–36 V 20
FTRK 2.5/3A/ZS 150 BG ● 3271.2 60–150 V 100	FTRK 2.5/2A/OT OG ● 3257.3 60–150 V 100	FTRK 2.5/3A/OT OG ● 3258.3 60–150 V 100	ZS/H2/ZTR/70 3632.2 35–70 V 20
FTRK 2.5/3A/ZS 250 BG ● 3272.2 140–250 V 100			ZS/H3/ZTR/150 3633.2 60–150 V 20
FTRK 2.5/3A/ZS 36 BU ● 3269.5 10–36 V 100			ZS/H4/ZTR/250 3634.2 140–250 V 20
FTRK 2.5/3A/ZS 70 BU ● 3270.5 35–70 V 100			
FTRK 2.5/3A/ZS 150 BU ● 3271.5 60–150 V 100			
FTRK 2.5/3A/ZS 250 BU ● 3272.5 140–250 V 100			
IEC UL CSA	IEC UL CSA	IEC UL CSA	
See above	400 300 300	400 300 300	When using motor vehicle fuses, the current is limited to 10 A!
6.3 6.3 6.3	18 15 15	18 15 15	
2.5/20–12	2.5/20–12	2.5/20–12	
6/3	6/3	6/3	
1.6			
A3/V-0	A3/V-0	A3/V-0	
0.2–4/-	0.2–4/-	0.2–4/-	
0.2–4/0.2–2.5	0.2–4/0.2–2.5	0.2–4/0.2–2.5	
0.2–4	0.2–4	0.2–4	
10	10	10	
5			
5 x 20			
PA 6.6 / -40 °C to +120 °C	PA 6.6 / -40 °C to +120 °C	PA 6.6 / -40 °C to +120 °C	PA 6.6 / -40 °C to +120 °C
1/-	1/-	1/-	
FAPT 2.5/3A BG 3482.2 50	FAPT 2.5/2A BG 3481.2 50	FAPT 2.5/3A BG 3482.2 50	
FQI 2.5/2 YE 3462.8 50	FQI 2.5/2 YE 3462.8 50	FQI 2.5/2 YE 3462.8 50	
FQI 2.5/3 YE 3463.8 50	FQI 2.5/3 YE 3463.8 50	FQI 2.5/3 YE 3463.8 50	
FQI 2.5/4 YE 3464.8 20	FQI 2.5/4 YE 3464.8 20	FQI 2.5/4 YE 3464.8 20	
FQI 2.5/5 YE 3465.8 20	FQI 2.5/5 YE 3465.8 20	FQI 2.5/5 YE 3465.8 20	
FQI 2.5/6 YE 3466.8 20	FQI 2.5/6 YE 3466.8 20	FQI 2.5/6 YE 3466.8 20	
FQI 2.5/7 YE 3467.8 20	FQI 2.5/7 YE 3467.8 20	FQI 2.5/7 YE 3467.8 20	
FQI 2.5/8 YE 3468.8 10	FQI 2.5/8 YE 3468.8 10	FQI 2.5/8 YE 3468.8 10	
FQI 2.5/9 YE 3469.8 10	FQI 2.5/9 YE 3469.8 10	FQI 2.5/9 YE 3469.8 10	
FQI 2.5/10 YE 3460.8 10	FQI 2.5/10 YE 3460.8 10	FQI 2.5/10 YE 3460.8 10	
FAD 2.5/4/B YE 3426.8 20	FAD 2.5/4/B YE 3426.8 20	FAD 2.5/4/B YE 3426.8 20	
ZES 35/2 BG 3811.2 50	ZES 35/2 BG 3811.2 50	ZES 35/2 BG 3811.2 50	
SDB 0.4x2.0 3164.0 1	SDB 0.4x2.0 3164.0 1	SDB 0.4x2.0 3164.0 1	
PMC SB 5/50 WH 4600.7 500	PMC SB 5/50 WH 4600.7 500	PMC SB 5/50 WH 4600.7 500	PMC SB 5/50 WH 4600.7 500

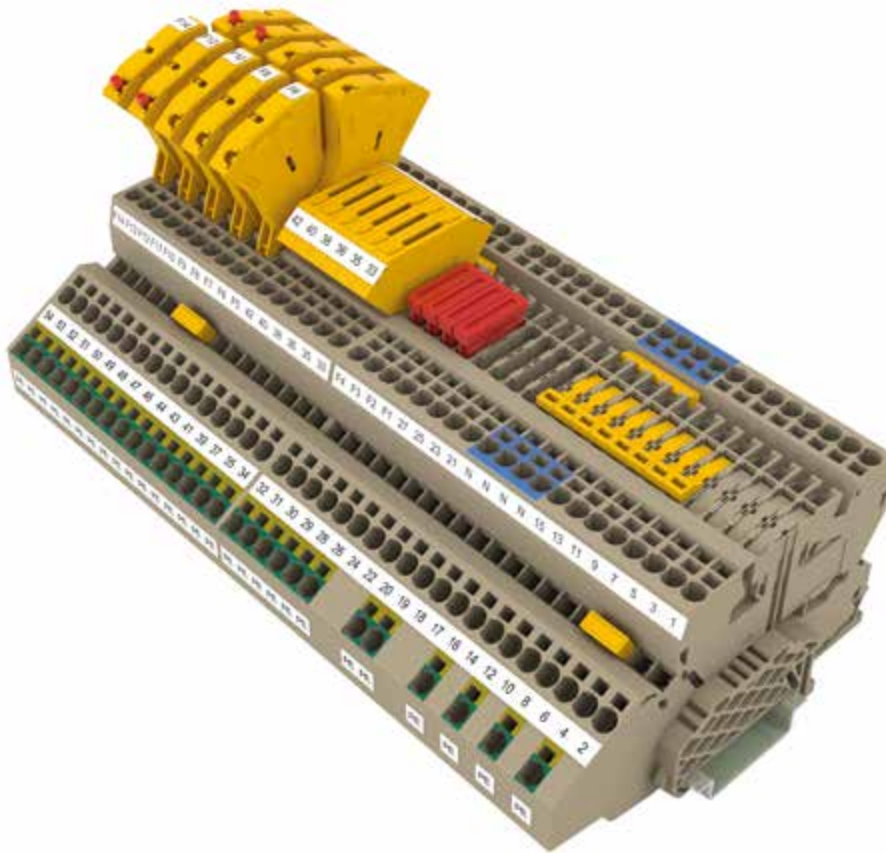


Push-in connection
system

Three-wire functional terminals FDLI

The **FDLI** three-wire functional terminals offer a wide range of functions and many different application possibilities at a width of 5.1 mm.

The base terminals of the new **FDLI 2.5-4** series are available in eight different versions. Our products offer users the best solution for all applications: whether they are using our feed-through terminals, feed-through terminals with disconnect-blade or the empty terminal versions together with custom-fit accessories.



The advantages

- Wire insertion requires no tools
- Less insertion force
- PE foot contact on both sides
- Comprehensive marking options
- Modularity thanks to replaceable functional elements



Features

- Push-in connection system
- Three-wire functional terminals 4 mm²
- Separating the contact via screwdriver
- Pluggable cross-connection system FQI
- Material: PA 6.6 UL 94 V-0

Features

Wire connections

Solid wires and flexible wires with wire-end ferrules can be inserted into the connection mechanism without the need for tools. Max. connection cross-section is 4 mm². The **FQI** cross-connections have a pluggable and insulated design (available from 2 to 50 poles). They cross-connect up to the rated current of the **FDLI** terminals.



Modularity thanks to functional elements

Without the need for any additional accessories, the **FDLI 2.5-4 OT** base terminals can be fitted with: the **SI C** automotive fuses, the **ZS/H** fuse plugs (for 5 x 20 mm micro-fuses) with or without LED, or the **ZDS** isolator and component connectors.



Connecting the PE foot onto the DIN rail

As with all CONTA-CLIP PE terminals, the **FDLI** terminals also implement a two-sided contact with the DIN rail. This solid, contiguous construction guarantees low contact resistance as well as the high security of the internal-spring PE contact foot.



Three-wire functional terminals FDLI

Push-in connection system		FDLI 2.5-4 NT/L/PE	FDLI 2.5-4 NT/L	FDLI 2.5-4 L/L/PE
<ul style="list-style-type: none"> Foot base can be snapped on TS 35 DIN rail Housing made from polyamide 6.6 UL 94-V-0 				
Connection diagram				
Description		Three-wire functional terminal with extract. lever, 5 connections Push-in	Three-wire functional terminal with extract. lever, 4 connections Push-in	Three-wire functional terminal with extract. lever, 5 connections Push-in
Connection type				
Size (L x W x H) with TS 35 x 7.5, mm		101 x 5.1 x 55.6	101 x 5.1 x 55.6	101 x 5.1 x 54
Type / colour		FDLI 2.5-4 NT/L/PE BG ●	FDLI 2.5-4 NT/L BG ●	FDLI 2.5-4 L/L/PE BG ●
Cat. no.	Qty.	3283.2 50	3284.2 50	3285.2 50
Type / colour		FDLI 2.5-4 MT/L/PE BG ●	FDLI 2.5-4 MT/L BG ●	
Cat. no.	Qty.	3282.2 50	3289.2 50	
Connection data		IEC* UL* CSA*	IEC* UL* CSA*	IEC* UL* CSA*
Rated voltage (V)		400 300 300	400 300 300	400 300 300
Rated current (A)		18/32 15 15	18/32 15 15	18/32 15 15
Rated wire cross-section, mm ² / AWG		4/26-10	4/26-10	4/26-10
Rated surge voltage, kV / Contamination degree		6/3	6/3	6/3
Plug gauge acc. to EN 60 947-1 / Flamm. class acc. to UL 94		A3/V-0	A3/V-0	A3/V-0
Connection data				
Single wire (solid) / stranded (flexible), mm ²		0.2-4/-	0.2-4/-	0.2-4/-
Finely-stranded / finely-stranded (w/ferrules acc. to DIN 46228/1), mm ²		0.2-4/0.2-2.5	0.2-4/0.2-2.5	0.2-4/0.2-2.5
Clamping range, mm ²		0.2-4	0.2-4	0.2-4
Stripping length, mm		12	12	12
Features				
Material of insulated housing / Temperature range		PA 6.6 / -40 °C to +120 °C	PA 6.6 / -40 °C to +120 °C	PA 6.6 / -40 °C to +120 °C
Number of cross-connection channels / Test pick-off option		2/-	2/-	2/-
Accessories				
End plate FAPDT		FAPDT 4 BG	FAPDT 4 BG	FAPDT 4 BG
Cat. no.	Qty.	3487.2 20	3487.2 20	3487.2 20
Insulated cross-connector FQI		FQI 2.5-4/2 YE	FQI 2.5-4/2 YE	FQI 2.5-4/2 YE
Cat. no.	Qty.	3492.8 50	3492.8 50	3492.8 50
Insulated cross-connector FQI		FQI 2.5-4/3 YE	FQI 2.5-4/3 YE	FQI 2.5-4/3 YE
Cat. no.	Qty.	3493.8 50	3493.8 50	3493.8 50
Insulated cross-connector FQI		FQI 2.5-4/4 YE	FQI 2.5-4/4 YE	FQI 2.5-4/4 YE
Cat. no.	Qty.	3494.8 20	3494.8 20	3494.8 20
Insulated cross-connector FQI		FQI 2.5-4/5 YE	FQI 2.5-4/5 YE	FQI 2.5-4/5 YE
Cat. no.	Qty.	3495.8 20	3495.8 20	3495.8 20
Insulated cross-connector FQI		FQI 2.5-4/6 YE	FQI 2.5-4/6 YE	FQI 2.5-4/6 YE
Cat. no.	Qty.	3496.8 20	3496.8 20	3496.8 20
Insulated cross-connector FQI		FQI 2.5-4/7 YE	FQI 2.5-4/7 YE	FQI 2.5-4/7 YE
Cat. no.	Qty.	3497.8 20	3497.8 20	3497.8 20
Insulated cross-connector FQI		FQI 2.5-4/8 YE	FQI 2.5-4/8 YE	FQI 2.5-4/8 YE
Cat. no.	Qty.	3498.8 10	3498.8 10	3498.8 10
Insulated cross-connector FQI		FQI 2.5-4/9 YE	FQI 2.5-4/9 YE	FQI 2.5-4/9 YE
Cat. no.	Qty.	3499.8 10	3499.8 10	3499.8 10
Insulated cross-connector FQI		FQI 2.5-4/10 YE	FQI 2.5-4/10 YE	FQI 2.5-4/10 YE
Cat. no.	Qty.	3490.8 10	3490.8 10	3490.8 10
Insulated cross-connector FQI		FQI 2.5-4/50 YE	FQI 2.5-4/50 YE	FQI 2.5-4/50 YE
Cat. no.	Qty.	3491.8 5	3491.8 5	3491.8 5
Straight-through connector				
Cat. no.	Qty.			
End stop ZES		ZES 35 BG	ZES 35 BG	ZES 35 BG
Cat. no.	Qty.	3748.2 50	3748.2 50	3748.2 50
Screwdriver SDB		SDB 0.4 x 2.0	SDB 0.4 x 2.0	SDB 0.4 x 2.0
Cat. no.	Qty.	3164.0 1	3164.0 1	3164.0 1
Quick marking PMC SB		PMC SB 5/50 WH	PMC SB 5/50 WH	PMC SB 5/50 WH
Cat. no.	Qty.	4600.7 500	4600.7 500	4600.7 500

* Approval applied for.

FDLI 2.5-4 L/L			FDLI 2.5-4 OT/L/PE			FDLI 2.5-4 OT/L			Combination		FDLI 2.5-4 OT..			
									Description		Combination FDLI 2.5-4 OT.. with disconnect-plug		Disconnect plug	
Three-wire functional terminal, 4 connections			Three-wire functional base terminal, 5 connections			Three-wire functional base terminal, 4 connections			Type / colour		ZDS 1/ZTR		●●	
Push-in 101 x 5.1 x 54			Push-in 101 x 5.1 x 54			Push-in 101 x 5.1 x 54			Cat. no. Qty.		3612.2		20	
FDLI 2.5-4 L/L BG ●			FDLI 2.5-4 OT/L/PE BG ●			FDLI 2.5-4 OT/L BG ●			Type / colour		ZDS 2/ZTR		●▶●	
3286.2 50			3287.2 50			3288.2 50			Cat. no. Qty.		3613.2		20	
									Type / colour		ZDS 3/ZTR		●◀●	
									Cat. no. Qty.		3614.2		20	
									Type / colour		ZDS 4/ZTR		●●	
									Cat. no. Qty.		3615.2		20	
											Soldered diode 1N4007			
IEC* UL* CSA*			IEC* UL* CSA*			IEC* UL* CSA*								
400 300 300			400 300 300			400 300 300								
18/32 15 15			18/32 15 15			18/32 15 15								
4/26-10			4/26-10			4/26-10								
6/3			6/3			6/3								
A3/V-0			A3/V-0			A3/V-0								
0.2-4/-			0.2-4/-			0.2-4/-								
0.2-4/0.2-2.5			0.2-4/0.2-2.5			0.2-4/0.2-2.5								
0.2-4			0.2-4			0.2-4								
12			12			12								
PA 6.6 / -40 °C to +120 °C			PA 6.6 / -40 °C to +120 °C			PA 6.6 / -40 °C to +120 °C								
2/-			2/-			2/-								
FAPDT 4 BG			FAPDT 4 BG			FAPDT 4 BG								
3487.2 20			3487.2 20			3487.2 20			Description		Combination FDLI 2.5-4 OT.. with fuse plug		Fuse plug for 5 x 20 fuses	
FQI 2.5-4/2 YE			FQI 2.5-4/2 YE			FQI 2.5-4/2 YE			Type / colour		ZS/H0/ZTR			
3492.8 50			3492.8 50			3492.8 50			Cat. no. Qty.		3635.2		20	
FQI 2.5-4/3 YE			FQI 2.5-4/3 YE			FQI 2.5-4/3 YE			Type / colour		ZS/H1/ZTR/36		Voltage 10V-36 V	
3493.8 50			3493.8 50			3493.8 50			Cat. no. Qty.		3631.2		20	
FQI 2.5-4/4 YE			FQI 2.5-4/4 YE			FQI 2.5-4/4 YE			Type / colour		ZS/H2/ZTR/70		Voltage 35V-70 V	
3494.8 20			3494.8 20			3494.8 20			Cat. no. Qty.		3632.2		20	
FQI 2.5-4/5 YE			FQI 2.5-4/5 YE			FQI 2.5-4/5 YE			Type / colour		ZS/H3/ZTR/150		Voltage 60V-150 V	
3495.8 20			3495.8 20			3495.8 20			Cat. no. Qty.		3633.2		20	
FQI 2.5-4/6 YE			FQI 2.5-4/6 YE			FQI 2.5-4/6 YE								
3496.8 20			3496.8 20			3496.8 20								
FQI 2.5-4/7 YE			FQI 2.5-4/7 YE			FQI 2.5-4/7 YE								
3497.8 20			3497.8 20			3497.8 20								
FQI 2.5-4/8 YE			FQI 2.5-4/8 YE			FQI 2.5-4/8 YE								
3498.8 10			3498.8 10			3498.8 10								
FQI 2.5-4/9 YE			FQI 2.5-4/9 YE			FQI 2.5-4/9 YE								
3499.8 10			3499.8 10			3499.8 10								
FQI 2.5-4/10 YE			FQI 2.5-4/10 YE			FQI 2.5-4/10 YE								
3490.8 10			3490.8 10			3490.8 10								
FQI 2.5-4/50 YE			FQI 2.5-4/50 YE			FQI 2.5-4/50 YE								
3491.8 5			3491.8 5			3491.8 5								
			MT-FIX BG			MT-FIX BG								
			3488.2 20			3488.2 20								
ZES 35 BG			ZES 35 BG			ZES 35 BG								
3748.2 50			3748.2 50			3748.2 50			Description		Combination FDLI 2.5-4 OT.. with motor vehicle fuse		Motor vehicle fuse	
SDB 0.4x2.0			SDB 0.4x2.0			SDB 0.4x2.0			Type / colour		SI C 1.000 A/32V		BK ●	
3164.0 1			3164.0 1			3164.0 1			Cat. no. Qty.		4991.0		100	
PMC SB 5/50 WH			PMC SB 5/50 WH			PMC SB 5/50 WH			Type / colour		SI C 2.000 A/32V		GR ●	
4600.7 500			4600.7 500			4600.7 500			Cat. no. Qty.		4992.0		100	
									Type / colour		SI C 3.000 A/32V		VT ●	
									Cat. no. Qty.		4993.0		100	
									Type / colour		SI C 4.000 A/32V		PI ●	
									Cat. no. Qty.		4994.0		100	
									Type / colour		SI C 5.000 A/32V		LB ●	
									Cat. no. Qty.		4995.0		100	
									Type / colour		SI C 7.500 A/32V		BN ●	
									Cat. no. Qty.		4996.0		100	
									Type / colour		SI C 10.000 A/32V		RD ●	
									Cat. no. Qty.		4997.0		100	



Push-in connection system

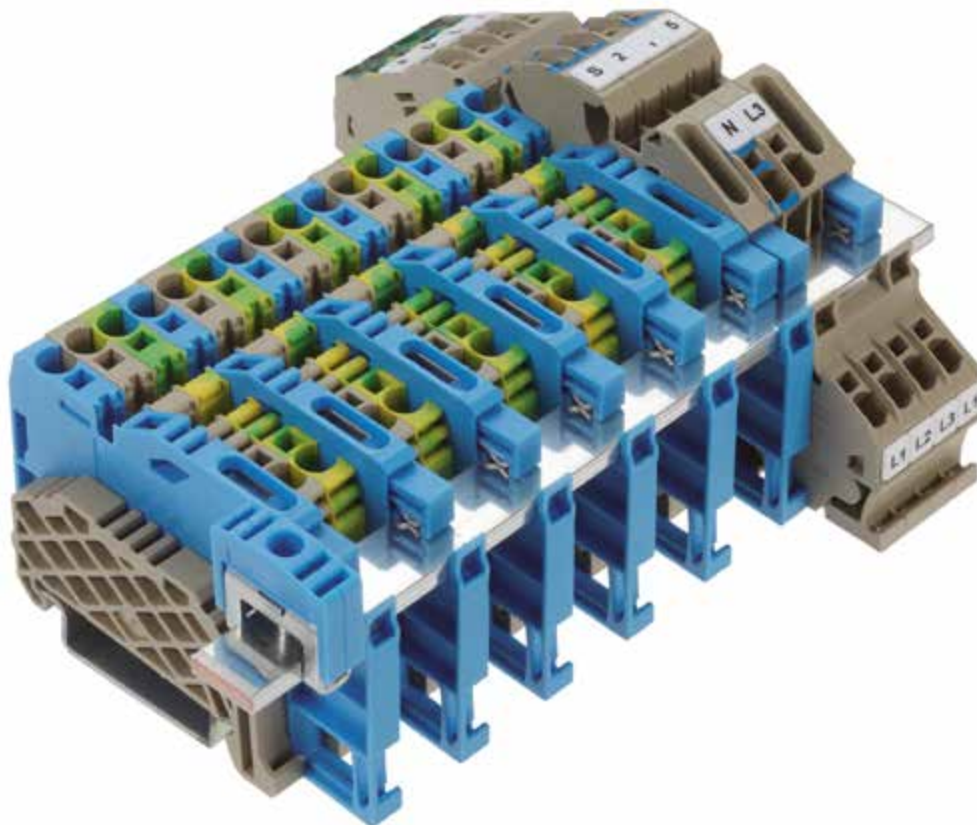
Installation feed-through terminals FRKI | Protective-earth terminals FSLI | Neutral disconnect terminals FNT

Our Push-in single-level installation terminals **FRKI / FSLI** are divided into three functional groups: feed-through, protective earth, and neutral disconnect terminals.

The neutral-disconnect terminals **FNT** are designed to accommodate a 10 x 3 mm neutral wire busbar. No additional holding plate is required. A secure contact to the neutral busbar is established using the no-screw slider for the neutral conductor.

With the **FSLI** protective earth terminals, the PE potential is connected with the DIN rail via the PE foot (which contacts the DIN rail on both sides).

Solid wires and flexible wires with wire-end ferrules can be inserted into the connection mechanism without the need for tools. The Push-in spring opens automatically when the wire is inserted facilitating a secure contact with the busbar. A standard screwdriver can be used to open the clamp for release when inserting the stranded wire without ferrules.



The advantages

- Wire insertion requires no tools
- Less insertion force
- PE foot contact on both sides
- Comprehensive marking options



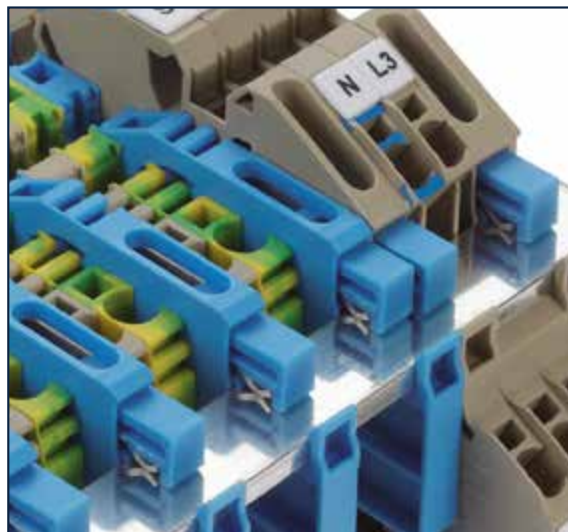
Features

- Push-in connection system
- Installation feed-through terminal up to 16 mm²
- Separating the contact via screwdriver
- Pluggable cross-connection system FQI/SQI
- Material: PA 6.6 UL 94 V-0

Features

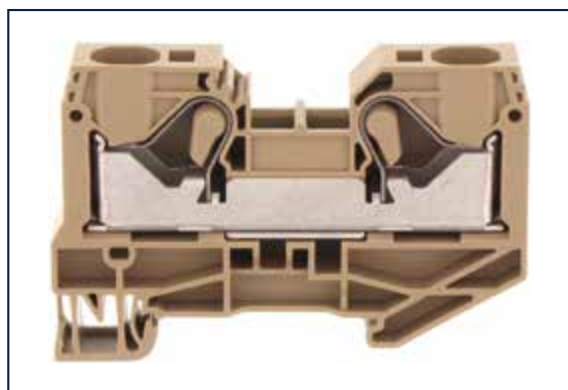
Combinations with the FDLIS three-level installation terminal

The one-level terminals **FRKI**, **FSLI**, and **FNT** can be used in combination with the three-level **FDLIS** installation terminals because the height of the neutral busbar is identical in both versions.



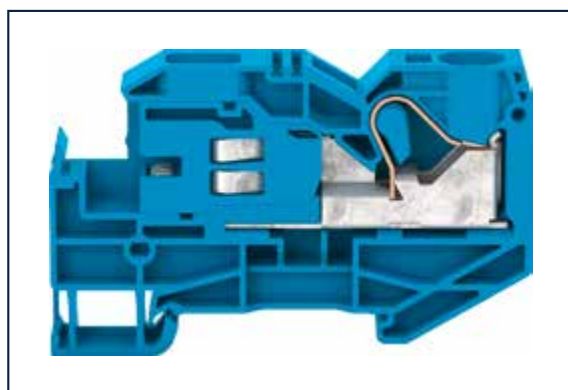
Installation terminals FRKI 16

The **FRKI** terminals in the rated cross-sections 16 mm² are also available in a variant with central rail foot for the TS 35. That design offers a symmetrical arrangement when the neutral busbars are not used.



Neutral disconnect terminals FNT

The neutral disconnect terminals **FNT** from 2.5 to 16 mm² are designed to accommodate a 10 x 3 mm neutral busbar. No additional holding plate is required. A secure contact to the neutral busbar is established using the no-screw slider for the neutral conductor.



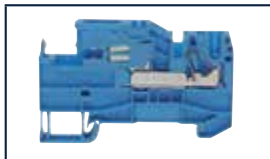
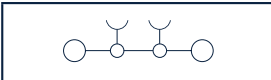




Connecting the PE foot onto the DIN rail

As with all CONTA-CLIP PE terminals, the **FSLI** terminals also implement a two-sided contact with the DIN rail. This solid, contiguous construction guarantees low contact resistance as well as high security of the internal-spring PE contact foot.



Installation feed-through terminals FRKI | Installation protective-earth terminals FSLI | Neutral disconnect terminals FNT

Push-in connection system	FRKI 2.5-4	FSLI 2.5-4	FNT 2.5-4
<ul style="list-style-type: none"> • Foot base can be snapped on TS 35 DIN rail • Housing made of polyamide 6.6 UL 94 V-0 			
Connection diagram			
Description	Installation feed-through terminal 2 connections	Installation protective earth terminal 2 connections	Neutral disconnect terminal 1 connection
Connection type	Push-in	Push-in	Push-in
Size (L x W x H), mm	52.5 x 5.1 x 37.5	52.5 x 5.1 x 37.5	64 x 5.1 x 41.5
Size (L x W x H) with TS 35 x 7.5, mm	52.5 x 5.1 x 38.5	52.5 x 5.1 x 38.5	64 x 5.1 x 42.5
Type / colour	FRKI 2.5-4 BG ●	FRKI 2.5-4 GNYE ●	FNT 2.5-4 BU ●
Cat. no.	3276.2	3279.2	3273.5
Qty.	100	100	100
Type / colour	FRKI 2.5-4 BU ●		
Cat. no.	3276.5		
Qty.	100		
Type / colour	FRKI 2.5-4 OG ●		
Cat. no.	3276.3		
Qty.	100		
Ratings	IEC UL cUL	IEC UL cUL	IEC UL cUL
Rated voltage (V)	800 600 600		250
Rated current (A)	32 30 30		32
Rated cross-section, mm ² / AWG	4/20-10	4/20-10	4/20-10
Rated surge voltage, kV / Contamination degree	8/3	8/3	8/3
Plug gauge acc. to EN 60 947-1 / Flamm. class acc. to UL 94	A4/V-0	A4/V-0	A4/V-0
Connection data			
Single wire (solid) / stranded (flexible), mm ²	0.5-6/-	0.5-6/-	0.5-6/-
Finely-stranded / finely-stranded (w/ferrules acc. to DIN 46228/1), mm ²	0.5-6/0.5-4	0.5-6/0.5-4	0.5-6/0.5-4
Clamping range, mm ²	0.5-6	0.5-6	0.5-6
Stripping length, mm	12	12	12
Features			
Material of insulated housing / Temperature range	PA 6.6 / -40 °C to +120 °C	PA 6.6 / -40 °C to +120 °C	PA 6.6 / -40 °C to +120 °C
Number of cross-connection channels / Test pick-off option	2/-	1/-	1/-
Accessories			
FAP end plate	FAP 2.5-4/2A BG	FAP 2.5-4/2A GN	FAP 2.5-4/2A BU
Cat. no.	3484.2	3484.1	3484.5
Qty.	20	20	20
Insulated cross-connector FIQI	FIQI 2.5-4/2 YE		FIQI 2.5-4/2 YE
Cat. no.	17402.8		17402.8
Qty.	50		50
Insulated cross-connector FIQI	FIQI 2.5-4/3 YE		FIQI 2.5-4/3 YE
Cat. no.	17403.8		17403.8
Qty.	50		50
Insulated cross-connector FIQI	FIQI 2.5-4/4 YE		FIQI 2.5-4/4 YE
Cat. no.	17404.8		17404.8
Qty.	20		20
Insulated cross-connector FIQI	FIQI 2.5-4/5 YE		FIQI 2.5-4/5 YE
Cat. no.	17405.8		17405.8
Qty.	20		20
Insulated cross-connector FIQI	FIQI 2.5-4/6 YE		FIQI 2.5-4/6 YE
Cat. no.	17406.8		17406.8
Qty.	20		20
Insulated cross-connector FIQI	FIQI 2.5-4/7 YE		FIQI 2.5-4/7 YE
Cat. no.	17407.8		17407.8
Qty.	20		20
Insulated cross-connector FIQI	FIQI 2.5-4/8 YE		FIQI 2.5-4/8 YE
Cat. no.	17408.8		17408.8
Qty.	10		10
Insulated cross-connector FIQI	FIQI 2.5-4/9 YE		FIQI 2.5-4/9 YE
Cat. no.	17409.8		17409.8
Qty.	10		10
Insulated cross-connector FIQI	FIQI 2.5-4/10 YE		FIQI 2.5-4/10 YE
Cat. no.	17400.8		17400.8
Qty.	10		10
Four-way cover FAD	FAD 2.5/4/B YE	FAD 2.5/4/B YE	FAD 2.5/4/B YE
Cat. no.	3426.8	3426.8	3426.8
Qty.	20	20	20
End stop ZES	ZES 35/2 BG	ZES 35/2 BG	ZES 35/2 BG
Cat. no.	3811.2	3811.2	3811.2
Qty.	50	50	50
Screwdriver SDB	SDB 0.4x2.0	SDB 0.4x2.0	SDB 0.4x2.0
Cat. no.	3164.0	3164.0	3164.0
Qty.	1	1	1
Quick marking PMC SB	PMC SB 5/50 WH	PMC SB 5/50 WH	PMC SB 5/50 WH
Cat. no.	4600.7	4600.7	4600.7
Qty.	500	500	500
Wire-end ferrule for compact connection spaces	H 4,0/20-D SR GR	H 4,0/20-D SR GR	H 4,0/20-D SR GR
Cat. no.	3194.0	3194.0	3194.0
Qty.	500	500	500
Plate for busbar			HP FDLIS 10x3 BU
Cat. no.			3483.5
Qty.			20

Installation feed-through terminals FRKI | Installation protective-earth terminals FSLI | Neutral disconnect terminals FNT

Push-in connection system	FRKI 6-10/3A	FSLI 6-10/3A	FRKI 16/2A
<ul style="list-style-type: none"> Foot base can be snapped on TS 35 DIN rail Housing made of polyamide 6.6 UL 94 V-0 			
Connection diagram			
Description	Feed-through terminal 3 connections	Protective earth terminal 3 connections	Installation feed-through terminal 2 connections
Connection type	Push-in	Push-in	Push-in
Size (L x W x H), mm	82.4 x 8.1 x 39	82.4 x 8.1 x 39	72.4 x 12.1 x 48
Size (L x W x H) with TS 35 x 7.5, mm	82.4 x 8.1 x 40	82.4 x 8.1 x 40	72.4 x 12.1 x 49
Type / colour	FRKI 6-10/3A BG ●	FRKI 6-10/3A GNYE ●	FRKI 16/2A BG ●
Cat. no.	3216.2	3217.2	3278.2
Qty.	50	50	50
Type / colour	FRKI 6-10/3A BU ●		FRKI 16/2A BU ●
Cat. no.	3216.5		3278.5
Qty.	50		50
Type / colour	FRKI 6-10/3A OG ●		FRKI 16/2A OG ●
Cat. no.	3216.3		3278.3
Qty.	50		50
Ratings	IEC UL cUL	IEC UL cUL	IEC UL cUL
Rated voltage (V)	800 600 600		1000 600 600
Rated current (A)	57 44 46		76/90 75 75
Rated cross-section, mm ² / AWG	10/20-8	10/20-8	16/14-4
Rated surge voltage, kV / Contamination degree	8/3	8/3	8/3
Plug gauge acc. to EN 60 947-1 / Flamm. class acc. to UL 94	A3/V-0	A3/V-0	A7/V-0
Connection data			
Single wire (solid) / stranded (flexible), mm ²	1.5-10/-	1.5-10/-	2.5-25/2.5-25
Finely-stranded / finely-stranded (w/ferrules acc. to DIN 46228/1), mm ²	1.5-10/1.5-10	1.5-10/1.5-10	2.5-16/2.5-16
Clamping range, mm ²	1.5-10	1.5-10	2.5-25
Stripping length, mm	12	12	18
Features			
Material of insulated housing / Temperature range	PA 6.6 / -40 °C to +120 °C	PA 6.6 / -40 °C to +120 °C	PA 6.6 / -40 °C to +120 °C
Number of cross-connection channels / Test pick-off option	2/-	1/-	2/-
Accessories			
FAPI end plate	FAPI 6-10/3A BG	FAPI 6-10/3A GN	FAPI 16/2A GN
Cat. no.	17423.2	17423.1	3486.1
Qty.	20	20	20
Insulated cross-connector FIQI / SQI	FIQI 6-10/2 YE	FIQI 6-10/2 YE	SQI 16/2 YE
Cat. no.	17412.8	17412.8	17247.8
Qty.	50	50	20
Insulated cross-connector FIQI	FIQI 6-10/3 YE	FIQI 6-10/3 YE	
Cat. no.	17413.8	17413.8	
Qty.	50	50	
Insulated cross-connector FIQI	FIQI 6-10/4 YE	FIQI 6-10/4 YE	
Cat. no.	17414.8	17414.8	
Qty.	20	20	
Insulated cross-connector FIQI	FIQI 6-10/5 YE	FIQI 6-10/5 YE	
Cat. no.	17415.8	17415.8	
Qty.	20	20	
Insulated cross-connector FIQI	FIQI 6-10/6 YE	FIQI 6-10/6 YE	
Cat. no.	17416.8	17416.8	
Qty.	20	20	
Insulated cross-connector FIQI	FIQI 6-10/7 YE	FIQI 6-10/7 YE	
Cat. no.	17417.8	17417.8	
Qty.	20	20	
Insulated cross-connector FIQI	FIQI 6-10/8 YE	FIQI 6-10/8 YE	
Cat. no.	17418.8	17418.8	
Qty.	10	10	
Insulated cross-connector FIQI	FIQI 6-10/9 YE	FIQI 6-10/9 YE	
Cat. no.	17419.8	17419.8	
Qty.	10	10	
Insulated cross-connector FIQI	FIQI 6-10/10 YE	FIQI 6-10/10 YE	
Cat. no.	17410.8	17410.8	
Qty.	10	10	
End stop ZES	ZES 35/2 BG	ZES 35/2 BG	ZES 35/2 BG
Cat. no.	3811.2	3811.2	3811.2
Qty.	50	50	50
Screwdriver SDB	SDB 0,6x3.5	SDB 0,6x3.5	SDB 0,8x4.0
Cat. no.	1086.0	1086.0	1087.0
Qty.	1	1	1
Quick marking PMC SB	PMC SB 8/40 WH	PMC SB 8/40 WH	PMC SB 8/40 WH
Cat. no.	9323.7	9323.7	9323.7
Qty.	500	500	500
Wire-end ferrule for compact connection spaces	H 10.0/22-D SR IV	H 10.0/22-D SR IV	
Cat. no.	3026.0	3026.0	
Qty.	500	500	



Push-in connection system

Three-wire installation terminals FDLIS

With a width of just 5 mm, the **FDLIS** series is available in seven versions and connects with stranded or solid wires up to 4 mm² with a rated current of up to 32 A. Solid wires and flexible wires with wire-end ferrules can be inserted into the connection mechanism without the need for tools. The Push-in spring opens automatically when the wire is inserted facilitating a secure contact with the busbar. A standard screwdriver can be used to open the clamp for release or for the insertion of stranded wire without ferrules. The version with neutral disconnection is designed to accommodate a 10 x 3 mm neutral wire busbar. There is no need for an additional fixing plate because the NT terminal snaps securely into place on the neutral busbar. The result is optimised storage and costs, combined with the added advantage of saving 1.5 mm for each fixing plate when mounting side-by-side on the DIN rail. CONTA-CLIP's PE foot, which contacts the PE potential to the DIN rail, is designed to make contact on both sides. This means that more material is required; however this offers more safety for the protective earth contact.

In addition to the **FDLIS** series of individual terminals and all the advantages that they have to offer, CONTA-CLIP also offers pre-assembled terminal blocks. This product line contains six different blocks of terminals in common combinations for 1- to 3-phase installations. In addition to the above-mentioned advantages that the individual terminals offer, the use of these standard blocks saves time when installing the distribution wiring and results in extra optimization of work flows and storage costs. Thanks to the special foot design of these terminal blocks, simple snapping in and removal of the rail is ensured. CONTA-CLIP therefore provides the ideal supplement in the area of installation technology.



The advantages

- Wire insertion requires no tools
- Less insertion force
- PE foot contact on both sides
- Comprehensive marking options



Features

- Push-in connection system
- Three-wire installation terminals 4 mm²
- Separating the contact via screwdriver
- Pluggable cross-connection system FIQI
- Off-the-shelf block variants
- Material: PA 6.6 UL 94 V-0

Features

Wire connections

Solid wires and flexible wires with wire-end ferrules can be inserted into the connection mechanism without the need for tools. Connection cross-section of 4 mm, solid or flexible wire with wire-end ferrule. Rated current 32 A at only 5.1 mm single-terminal width. **FQI** cross-connections are pluggable and insulated. They are available from 2 to 10 poles and can be used to safely distribute nominal current on the **FDLIS** terminals.



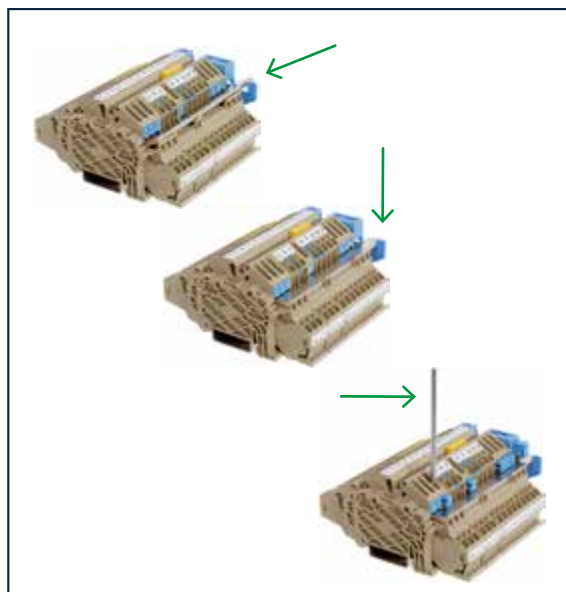
Insert FQI



Connection without tools

Attaching and contacting neutral busbars

The neutral disconnect terminals have an integrated fitting and mounting system for the 10 x 3 mm neutral busbars. Thus, an additional fixing plate is not needed and design width is decreased for the terminal construction. Another advantage is the reduction in storage costs. The NT rail is quickly and securely connected with the terminal via a self-connecting, screw-less NT slider.



Connecting the PE foot onto the DIN rail

As with all CONTA-CLIP PE terminals, the **FDLIS** terminals also implement a two-sided contact with the DIN rail. As with the entire **FRK** series, the foot construction and busbar are made of a single piece of copper. This solid, contiguous construction guarantees low contact resistance as well as the high security of the internal-spring PE contact foot.



Block versions

Block version terminals are connected underneath each other with pegs. This results in increased design stability compared with individual terminals. All CONTA-CLIP block versions can be quickly and easily snapped on, with one hand grip, using a special latch in the terminal foot. Removing the blocks is just as quick – using the connected feet with the help of a screwdriver.



Three-wire installation terminals FDLIS

Push-in connection system	FDLIS 2.5-4 NT/L/PE	FDLIS 2.5-4 N/L/PE	FDLIS 2.5-4 L/L/PE
<ul style="list-style-type: none"> Foot base can be snapped on TS 35 DIN rail Housing made of polyamide 6.6 UL 94 V-0 			
Connection diagram			
Description	Three-wire installation terminals 4 connections	Three-wire installation terminals 5 connections	Three-wire installation terminals 5 connections
Connection type	Push-in	Push-in	Push-in
Size (L x W x H) with TS 35 x 7.5, mm	100 x 5.1 x 49	100 x 5.1 x 49	100 x 5.1 x 49
Type / colour	FDLIS 2.5-4 NT/L/PE BG ●	FDLIS 2.5-4 N/L/PE BG ●	FDLIS 2.5-4 L/L/PE BG ●
Cat. no.	3240.2	3241.2	3242.2
Qty.	50	50	50
IEC	400	400	400
CSAus	300	300	300
CSA	300	300	300
Rated voltage (V)	400	400	400
Rated current (A)	32	32	32
Rated cross-section, mm² / AWG	4 / 26-10	4 / 26-10	4 / 26-10
Rated surge voltage, kV / Contamination degree	6 / 3	6 / 3	6 / 3
Plug gauge acc. to EN 60 947-1 / Flamm. class acc. to UL 94	A3 / V-0	A3 / V-0	A3 / V-0
Connection data			
Single wire (solid) / stranded (flexible), mm ²	0.2-4 / -	0.2-4 / -	0.2-4 / -
Finely-stranded / finely-stranded (w/ferrules acc. to DIN 46228/1), mm ²	0.2-4 / 0.2-2.5	0.2-4 / 0.2-2.5	0.2-4 / 0.2-2.5
Clamping range, mm ²	0.2-4	0.2-4	0.2-4
Stripping length, mm	12	12	12
Special connection, mm	Busbar 10 x 3		
Features			
Material of insulated housing / Temperature range	PA 6.6 / -40 °C to +120 °C	PA 6.6 / -40 °C to +120 °C	PA 6.6 / -40 °C to +120 °C
Number of cross-connection channels / Test pick-off option	2 / -	2 / -	2 / -
Accessories			
End plate FAP	FAP 4/S BG	FAP 4/S BG	FAP 4/S BG
Cat. no.	3480.2	3480.2	3480.2
Qty.	20	20	20
Insulated cross-connector FQI	FQI 2.5-4/2 YE	FQI 2.5-4/2 YE	FQI 2.5-4/2 YE
Cat. no.	3492.8	3492.8	3492.8
Qty.	50	50	50
Insulated cross-connector FQI	FQI 2.5-4/3 YE	FQI 2.5-4/3 YE	FQI 2.5-4/3 YE
Cat. no.	3493.8	3493.8	3493.8
Qty.	50	50	50
Insulated cross-connector FQI	FQI 2.5-4/4 YE	FQI 2.5-4/4 YE	FQI 2.5-4/4 YE
Cat. no.	3494.8	3494.8	3494.8
Qty.	20	20	20
Insulated cross-connector FQI	FQI 2.5-4/5 YE	FQI 2.5-4/5 YE	FQI 2.5-4/5 YE
Cat. no.	3495.8	3495.8	3495.8
Qty.	20	20	20
Insulated cross-connector FQI	FQI 2.5-4/6 YE	FQI 2.5-4/6 YE	FQI 2.5-4/6 YE
Cat. no.	3496.8	3496.8	3496.8
Qty.	20	20	20
Insulated cross-connector FQI	FQI 2.5-4/7 YE	FQI 2.5-4/7 YE	FQI 2.5-4/7 YE
Cat. no.	3497.8	3497.8	3497.8
Qty.	20	20	20
Insulated cross-connector FQI	FQI 2.5-4/8 YE	FQI 2.5-4/8 YE	FQI 2.5-4/8 YE
Cat. no.	3498.8	3498.8	3498.8
Qty.	10	10	10
Insulated cross-connector FQI	FQI 2.5-4/9 YE	FQI 2.5-4/9 YE	FQI 2.5-4/9 YE
Cat. no.	3499.8	3499.8	3499.8
Qty.	10	10	10
Insulated cross-connector FQI	FQI 2.5-4/10 YE	FQI 2.5-4/10 YE	FQI 2.5-4/10 YE
Cat. no.	3490.8	3490.8	3490.8
Qty.	10	10	10
Busbar Ssch CU	Ssch 10 x 3 CU		
Cat. no.	2129.0		
Qty.	1 m		
End stop ZES	ZES 35/2 BG	ZES 35/2 BG	ZES 35/2 BG
Cat. no.	3811.2	3811.2	3811.2
Qty.	50	50	50
Screwdriver SDB	SDB 0.4 x 2.0	SDB 0.4 x 2.0	SDB 0.4 x 2.0
Cat. no.	3164.0	3164.0	3164.0
Qty.	1	1	1
Quick marking PMC SB	PMC SB 5/50 WH	PMC SB 5/50 WH	PMC SB 5/50 WH
Cat. no.	4600.7	4600.7	4600.7
Qty.	500	500	500

FDLIS 2.5-4 N/L			FDLIS 2.5-4 L/L			FDLIS 2.5-4 N			FDLIS 2.5-4 L		
Three-wire installation terminals 4 connections			Three-wire installation terminals 4 connections			Three-wire installation terminals 2 connections			Three-wire installation terminals 2 connections		
Push-in			Push-in			Push-in			Push-in		
100 x 5.1 x 49			100 x 5.1 x 49			100 x 5.1 x 49			100 x 5.1 x 49		
FDLIS 2.5-4 N/L BG ●			FDLIS 2.5-4 L/L BG ●			FDLIS 2.5-4 N BG ●			FDLIS 2.5-4 L BG ●		
3243.2 50			3244.2 50			3245.2 50			3246.2 50		
IEC CSAAus CSA			IEC CSAAus CSA			IEC CSAAus CSA			IEC CSAAus CSA		
400 300 300			400 300 300			400 300 300			400 300 300		
32 25 25			32 25 25			32 25 25			32 25 25		
4/26-10			4/26-10			4/26-10			4/26-10		
6/3			6/3			6/3			6/3		
A3/V-0			A3/V-0			A3/V-0			A3/V-0		
0.2-4/-			0.2-4/-			0.2-4/-			0.2-4/-		
0.2-4/0.2-2.5			0.2-4/0.2-2.5			0.2-4/0.2-2.5			0.2-4/0.2-2.5		
0.2-4			0.2-4			0.2-4			0.2-4		
12			12			12			12		
PA 6.6 / -40 °C to +120 °C			PA 6.6 / -40 °C to +120 °C			PA 6.6 / -40 °C to +120 °C			PA 6.6 / -40 °C to +120 °C		
2/-			2/-			2/-			2/-		
FAP 4/S BG			FAP 4/S BG			FAP 4/S BG			FAP 4/S BG		
3480.2 20			3480.2 20			3480.2 20			3480.2 20		
FQI 2.5-4/2 YE			FQI 2.5-4/2 YE			FQI 2.5-4/2 YE			FQI 2.5-4/2 YE		
3492.8 50			3492.8 50			3492.8 50			3492.8 50		
FQI 2.5-4/3 YE			FQI 2.5-4/3 YE			FQI 2.5-4/3 YE			FQI 2.5-4/3 YE		
3493.8 50			3493.8 50			3493.8 50			3493.8 50		
FQI 2.5-4/4 YE			FQI 2.5-4/4 YE			FQI 2.5-4/4 YE			FQI 2.5-4/4 YE		
3494.8 20			3494.8 20			3494.8 20			3494.8 20		
FQI 2.5-4/5 YE			FQI 2.5-4/5 YE			FQI 2.5-4/5 YE			FQI 2.5-4/5 YE		
3495.8 20			3495.8 20			3495.8 20			3495.8 20		
FQI 2.5-4/6 YE			FQI 2.5-4/6 YE			FQI 2.5-4/6 YE			FQI 2.5-4/6 YE		
3496.8 20			3496.8 20			3496.8 20			3496.8 20		
FQI 2.5-4/7 YE			FQI 2.5-4/7 YE			FQI 2.5-4/7 YE			FQI 2.5-4/7 YE		
3497.8 20			3497.8 20			3497.8 20			3497.8 20		
FQI 2.5-4/8 YE			FQI 2.5-4/8 YE			FQI 2.5-4/8 YE			FQI 2.5-4/8 YE		
3498.8 10			3498.8 10			3498.8 10			3498.8 10		
FQI 2.5-4/9 YE			FQI 2.5-4/9 YE			FQI 2.5-4/9 YE			FQI 2.5-4/9 YE		
3499.8 10			3499.8 10			3499.8 10			3499.8 10		
FQI 2.5-4/10 YE			FQI 2.5-4/10 YE			FQI 2.5-4/10 YE			FQI 2.5-4/10 YE		
3490.8 10			3490.8 10			3490.8 10			3490.8 10		
ZES 35/2 BG			ZES 35/2 BG			ZES 35/2 BG			ZES 35/2 BG		
3811.2 50			3811.2 50			3811.2 50			3811.2 50		
SDB 0.4x2.0			SDB 0.4x2.0			SDB 0.4x2.0			SDB 0.4x2.0		
3164.0 1			3164.0 1			3164.0 1			3164.0 1		
PMC SB 5/50 WH			PMC SB 5/50 WH			PMC SB 5/50 WH			PMC SB 5/50 WH		
4600.7 500			4600.7 500			4600.7 500			4600.7 500		

Three-wire installation terminals FDLIS in block versions

Push-in connection system	FDLIS B 2.5-4 3NT/3L/3PE	FDLIS B 2.5-4 NT/3L/PE	FDLIS B 2.5-4 3L/3N/3PE
<ul style="list-style-type: none"> • Foot base can be snapped on TS 35 DIN rail • Housing made of polyamide 6.6 UL 94 V-0 			
Connection diagram			
Description	Three-wire installation blocks	Three-wire installation blocks	Three-wire installation blocks
Connection type	Push-in	Push-in	Push-in
Size (L x W x H) with TS 35 x 7.5, mm	100 x 15.3 x 49	100 x 10.2 x 49	100 x 15.3 x 49
Type / colour	FDLIS B 2.5-4 3NT/3L/3PE BG ●	FDLIS B 2.5-4 NT/3L/PE BG ●	FDLIS B 2.5-4 3L/3N/3PE BG ●
<i>Cat. no.</i>	3247.2	3248.2	3249.2
Qty.	16	25	16
Type / colour			
<i>Cat. no.</i>			
Qty.			
Type / colour			
<i>Cat. no.</i>			
Qty.			
Type / colour			
<i>Cat. no.</i>			
Qty.			
Ratings	IEC CSAus CSA	IEC CSAus CSA	IEC CSAus CSA
Rated voltage (V)	400 300 300	400 300 300	400 300 300
Rated current (A)	32 25 25	32 25 25	32 25 25
Rated cross-section, mm ² / AWG	4 / 26–10	4 / 26–10	4 / 26–10
Rated surge voltage, kV / Contamination degree	6 / 3	6 / 3	6 / 3
Plug gauge acc. to EN 60 947-1 / Flamm. class acc. to UL 94	A3 / V-0	A3 / V-0	A3 / V-0
Connection data			
Single wire (solid) / stranded (flexible), mm ²	0.2–4 / -	0.2–4 / -	0.2–4 / -
Finely-stranded / finely-stranded (w/ferrules acc. to DIN 46228/1), mm ²	0.2–4 / 0.2–2.5	0.2–4 / 0.2–2.5	0.2–4 / 0.2–2.5
Clamping range, mm ²	0.2–4	0.2–4	0.2–4
Stripping length, mm	12	12	12
Features			
Material of insulated housing / Temperature range	PA 6.6 / -40 °C to +120 °C	PA 6.6 / -40 °C to +120 °C	PA 6.6 / -40 °C to +120 °C
Number of cross-connection channels / Test pick-off option	2 / -	2 / -	2 / -
Accessories			
End plate FAP	FAP 4/S BG	FAP 4/S BG	FAP 4/S BG
<i>Cat. no.</i>	3480.2	3480.2	3480.2
Qty.	20	20	20
Insulated cross-connector FQI	FQI 2.5–4/2 YE	FQI 2.5–4/2 YE	FQI 2.5–4/2 YE
<i>Cat. no.</i>	3492.8	3492.8	3492.8
Qty.	50	50	50
Insulated cross-connector FQI	FQI 2.5–4/3 YE	FQI 2.5–4/3 YE	FQI 2.5–4/3 YE
<i>Cat. no.</i>	3493.8	3493.8	3493.8
Qty.	50	50	50
Insulated cross-connector FQI	FQI 2.5–4/4 YE	FQI 2.5–4/4 YE	FQI 2.5–4/4 YE
<i>Cat. no.</i>	3494.8	3494.8	3494.8
Qty.	20	20	20
Insulated cross-connector FQI	FQI 2.5–4/5 YE	FQI 2.5–4/5 YE	FQI 2.5–4/5 YE
<i>Cat. no.</i>	3495.8	3495.8	3495.8
Qty.	20	20	20
Insulated cross-connector FQI	FQI 2.5–4/6 YE	FQI 2.5–4/6 YE	FQI 2.5–4/6 YE
<i>Cat. no.</i>	3496.8	3496.8	3496.8
Qty.	20	20	20
Insulated cross-connector FQI	FQI 2.5–4/7 YE	FQI 2.5–4/7 YE	FQI 2.5–4/7 YE
<i>Cat. no.</i>	3497.8	3497.8	3497.8
Qty.	20	20	20
Insulated cross-connector FQI	FQI 2.5–4/8 YE	FQI 2.5–4/8 YE	FQI 2.5–4/8 YE
<i>Cat. no.</i>	3498.8	3498.8	3498.8
Qty.	10	10	10
Insulated cross-connector FQI	FQI 2.5–4/9 YE	FQI 2.5–4/9 YE	FQI 2.5–4/9 YE
<i>Cat. no.</i>	3499.8	3499.8	3499.8
Qty.	10	10	10
Insulated cross-connector FQI	FQI 2.5–4/10 YE	FQI 2.5–4/10 YE	FQI 2.5–4/10 YE
<i>Cat. no.</i>	3490.8	3490.8	3490.8
Qty.	10	10	10
Busbar Ssch CU	Ssch 10 x 3 CU	Ssch 10 x 3 CU	Ssch 10 x 3 CU
<i>Cat. no.</i>	2129.0	2129.0	2129.0
Qty.	1 m	1 m	1 m
End stop ZES	ZES 35/2 BG	ZES 35/2 BG	ZES 35/2 BG
<i>Cat. no.</i>	3811.2	3811.2	3811.2
Qty.	50	50	50
Screwdriver SDB	SDB 0.4 x 2.0	SDB 0.4 x 2.0	SDB 0.4 x 2.0
<i>Cat. no.</i>	3164.0	3164.0	3164.0
Qty.	1	1	1
Quick marking PMC SB	PMC SB 5/50 WH	PMC SB 5/50 WH	PMC SB 5/50 WH
<i>Cat. no.</i>	4600.7	4600.7	4600.7
Qty.	500	500	500

FDLIS B 2.5-4 3L/N/PE			FDLIS B 2.5-4 6L			FDLIS 2.5-4 6L/3PE		
Three-wire installation blocks			Three-wire installation blocks			Three-wire installation blocks		
Push-in 100 x 10.2 x 49			Push-in 100 x 10.2 x 49			Push-in 100 x 15.3 x 49		
FDLIS B 2.5-4 3L/N/PE BG ●			FDLIS B 2.5-4 6L BG ●			FDLIS 2.5-4 6L/3PE BG ●		
3250.2 25			3251.2 16			3252.2 16		
IEC CSAus CSA			IEC CSAus CSA			IEC CSAus CSA		
400 300 300			400 300 300			400 300 300		
32 25 25			32 25 25			32 25 25		
4 / 26-10			4 / 26-10			4 / 26-10		
6 / 3			6 / 3			6 / 3		
A3 / V-0			A3 / V-0			A3 / V-0		
0.2-4 / -			0.2-4 / -			0.2-4 / -		
0.2-4 / 0.2-2.5			0.2-4 / 0.2-2.5			0.2-4 / 0.2-2.5		
0.2-4			0.2-4			0.2-4		
12			12			12		
PA 6.6 / -40 °C to +120 °C			PA 6.6 / -40 °C to +120 °C			PA 6.6 / -40 °C to +120 °C		
2 / -			2 / -			2 / -		
FAP 4/S BG			FAP 4/S BG			FAP 4/S BG		
3480.2 20			3480.2 20			3480.2 20		
FQI 2.5-4/2 YE			FQI 2.5-4/2 YE			FQI 2.5-4/2 YE		
3492.8 50			3492.8 50			3492.8 50		
FQI 2.5-4/3 YE			FQI 2.5-4/3 YE			FQI 2.5-4/3 YE		
3493.8 50			3493.8 50			3493.8 50		
FQI 2.5-4/4 YE			FQI 2.5-4/4 YE			FQI 2.5-4/4 YE		
3494.8 20			3494.8 20			3494.8 20		
FQI 2.5-4/5 YE			FQI 2.5-4/5 YE			FQI 2.5-4/5 YE		
3495.8 20			3495.8 20			3495.8 20		
FQI 2.5-4/6 YE			FQI 2.5-4/6 YE			FQI 2.5-4/6 YE		
3496.8 20			3496.8 20			3496.8 20		
FQI 2.5-4/7 YE			FQI 2.5-4/7 YE			FQI 2.5-4/7 YE		
3497.8 20			3497.8 20			3497.8 20		
FQI 2.5-4/8 YE			FQI 2.5-4/8 YE			FQI 2.5-4/8 YE		
3498.8 10			3498.8 10			3498.8 10		
FQI 2.5-4/9 YE			FQI 2.5-4/9 YE			FQI 2.5-4/9 YE		
3499.8 10			3499.8 10			3499.8 10		
FQI 2.5-4/10 YE			FQI 2.5-4/10 YE			FQI 2.5-4/10 YE		
3490.8 10			3490.8 10			3490.8 10		
ZES 35/2 BG			ZES 35/2 BG			ZES 35/2 BG		
3811.2 50			3811.2 50			3811.2 50		
SDB 0.4x2.0			SDB 0.4x2.0			SDB 0.4x2.0		
3164.0 1			3164.0 1			3164.0 1		
PMC SB 5/50 WH			PMC SB 5/50 WH			PMC SB 5/50 WH		
4600.7 500			4600.7 500			4600.7 500		

Initiator terminals FIK

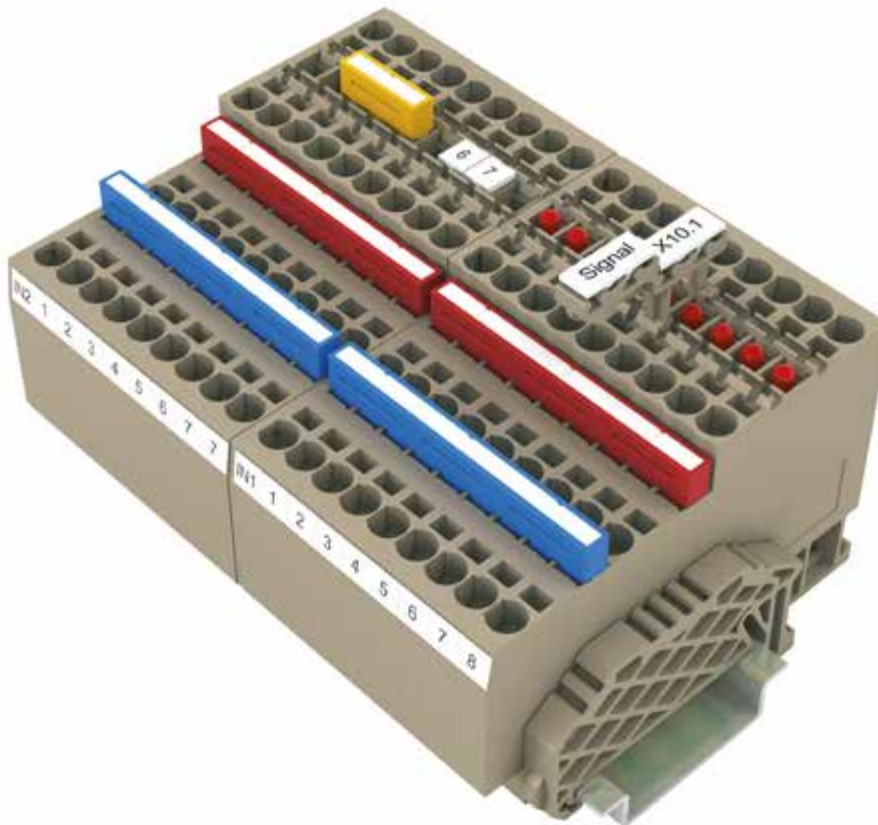
CONTA-CLIP has added the initiator terminals **FIK 2.5** to its CONTA-CONNECT range in the Push-in connection system.

In order to start-up electromechanical functions in machinery and facilities, a link must be established from signal emitters, actuators and alert sources with the controller. These signals are consolidated in decentralized units in order to reduce the wiring overhead and speed up the troubleshooting process. In the **FIK 2.5**, the upper level is used for the signal wiring and the lower level for the supply voltage, such as the positive/negative distribution. A separate power

supply terminal is not necessary, because each terminal block has the possibility to accommodate one wire up to 2.5 mm² with wire-end ferrules. The rated total current of the individual potentials is 24 A.



Push-in connection system



The advantages

- Wire insertion requires no tools
- Less insertion force
- Comprehensive marking options
- Variants with illuminated display for signalling the switching status



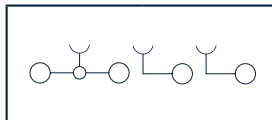
Features

- Push-in connection system
- Initiator terminal 4 mm²
- Separating the contact via screwdriver
- Pluggable cross-connection system FQI
- Material: PA 6.6 UL 94 V-0

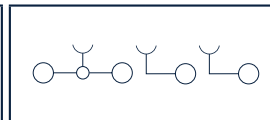
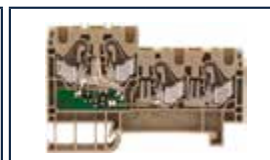
Push-in connection system

- Foot base can be snapped on TS 35 DIN rail
- Housing made of polyamide 6.6 UL 94 V-0

FIK 2.5/3



FIK 2.5/3/LED



Connection diagram

Description

Initiator terminals
4 connections

Initiator terminals
4 connections with LED

Connection type

Push-in

Push-in

Size (L x W x H), mm

72 x 5.1 x 47

72 x 5.1 x 47

Size (L x W x H) with TS 35 x 7.5, mm

72 x 5.1 x 48

72 x 5.1 x 48

Type / colour

FIK 2.5/3 BG ●

FIK 2.5/3/LED(RD) BG ●

Cat. no.

Qty.

3295.2

100

3296.2

100

Ratings

IEC*

UL*

CSA*

IEC*

UL*

CSA*

Rated voltage (V)

250

300

300

24

24

24

Rated current (A)

24

10

10

24

10

10

Rated cross-section, mm² / AWG

2.5 / 26-12

2.5 / 26-12

Rated surge voltage, kV / Contamination degree

4 / 3

4 / 3

Flamm. class acc. to UL 94

A3 / V-0

A3 / V-0

Connection data

Single wire (solid) / stranded (flexible), mm²

0.2-4 / -

0.2-4 / -

Finely-stranded / finely-stranded
(w/ferrules acc. to DIN 46228/1), mm²

0.2-4 / 0.2-2.5

0.2-4 / 0.2-2.5

Clamping range, mm²

0.2-4

0.2-4

Stripping length, mm

12

12

Cross-current via LED, mA

12

5

Features

Material of insulated housing / Temperature range

PA 6.6 / -40 °C to +120 °C

PA 6.6 / -40 °C to +120 °C

Number of cross-connection channels / Test pick-off option

1 / 0

1 / 0

Accessories

End plate FAPSI

FAPSIK 2.5/3 BG

FAPSIK 2.5/3 BG

Cat. no.

Qty.

17430.2

20

17430.2

20

Insulated cross-connector FQI

2-pole

FQI 2.5/2 YE

FQI 2.5/2 RD

FQI 2.5/2 BU

FQI 2.5/2 BK

Cat. no.

Qty.

3462.8

50

3462.9

50

3462.5

50

3462.4

50

Insulated cross-connector FQI

3-pole

FQI 2.5/3 YE

FQI 2.5/3 RD

FQI 2.5/3 BU

FQI 2.5/3 BK

Cat. no.

Qty.

3463.8

50

3463.9

50

3463.5

50

3463.4

50

Insulated cross-connector FQI

4-pole

FQI 2.5/4 YE

FQI 2.5/4 RD

FQI 2.5/4 BU

FQI 2.5/4 BK

Cat. no.

Qty.

3464.8

20

3464.9

20

3464.5

20

3464.4

20

Insulated cross-connector FQI

5-pole

FQI 2.5/5 YE

FQI 2.5/5 RD

FQI 2.5/5 BU

FQI 2.5/5 BK

Cat. no.

Qty.

3465.8

20

3465.9

20

3465.5

20

3465.4

20

Insulated cross-connector FQI

6-pole

FQI 2.5/6 YE

FQI 2.5/6 RD

FQI 2.5/6 BU

FQI 2.5/6 BK

Cat. no.

Qty.

3466.8

20

3466.9

20

3466.5

20

3466.4

20

Insulated cross-connector FQI

7-pole

FQI 2.5/7 YE

FQI 2.5/7 RD

FQI 2.5/7 BU

FQI 2.5/7 BK

Cat. no.

Qty.

3467.8

20

3467.9

20

3467.5

20

3467.4

20

Insulated cross-connector FQI

8-pole

FQI 2.5/8 YE

FQI 2.5/8 RD

FQI 2.5/8 BU

FQI 2.5/8 BK

Cat. no.

Qty.

3468.8

10

3468.9

10

3468.5

10

3468.4

10

Insulated cross-connector FQI

9-pole

FQI 2.5/9 YE

FQI 2.5/9 RD

FQI 2.5/9 BU

FQI 2.5/9 BK

Cat. no.

Qty.

3469.8

10

3469.9

10

3469.5

10

3469.4

10

Insulated cross-connector FQI

10-pole

FQI 2.5/10 YE

FQI 2.5/10 RD

FQI 2.5/10 BU

FQI 2.5/10 BK

Cat. no.

Qty.

3460.8

10

3460.9

10

3460.5

10

3460.4

10

Insulated cross-connector FQI

50-pole

FQI 2.5/50 YE

FQI 2.5/50 RD

FQI 2.5/50 BU

FQI 2.5/50 BK

Cat. no.

Qty.

3461.8

5

3461.9

5

3461.5

5

3461.4

5

End stop ZES

ZES 35/2 BG

ZES 35/2 BG

Cat. no.

Qty.

3811.2

50

3811.2

50

Screwdriver SDB

SDB 0,5 x 3.0

SDB 0,5 x 3.0

Cat. no.

Qty.

1085.0

1

1085.0

1

Labelling adapter FBA

FBA 1 BG

FBA 1 BG

Cat. no.

Qty.

3424.2

1

3424.2

1

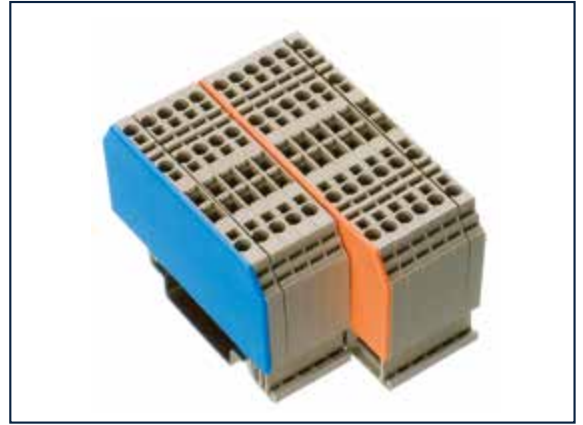
Quick marking PMC SB

PMC SB 5/50 WH

Overview specific accessories

End plates

The **PAP** and **FAP** end plates are normally used at the end of a row of terminals. End plates must also be used within a terminal strip when it makes use of terminal blocks of different sizes in order to ensure touch-safe finger protection. The outer dimensions of the end plates match the dimensions of the terminal blocks.



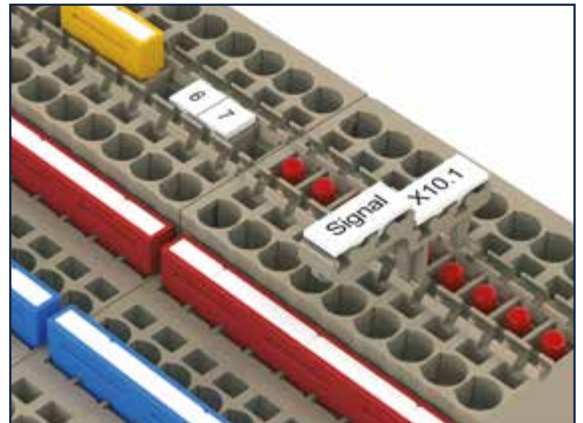
Cross-connections

The cross-connections **PQI** and **FQI** are available with 2, 3, 4, 10 and 20 poles. The pluggable cross-connection system allows you to save time while distributing potentials between terminal blocks of the same cross-section range. The **PQI** and **FQI** have a pluggable design and are suitable for the rated current and the rated voltage of the respective terminal block.



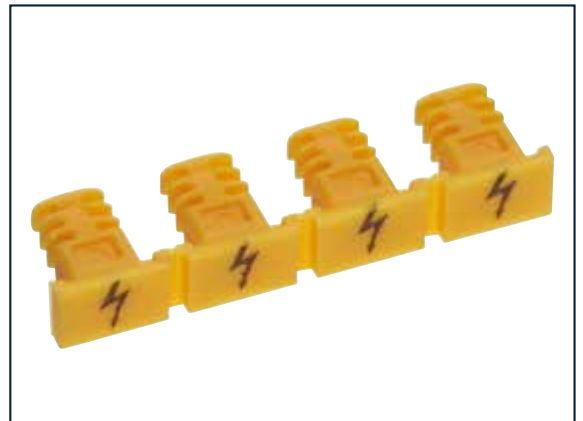
Labelling adapter

In addition to the standard holder in the terminal housing, you can also label the multi-level terminals **FRKD** using the Labelling adapter FBA. The **FBA** labelling adapter can be attached to the middle of the terminal housing.



Four-way covers FAD

VDE regulations require that the mains terminals are covered. The yellow **FAD** covers (labelled with a lightning flash) are used to cover the operational channel. Thus, they discourage operation of the terminal while live voltage is present.



Test plug

The test plug **PS 2.3** enables a direct measurement to be made at the test pick-off of the terminal for **PRK** terminals.



Fuse holder ZS/.../.../ZTRK

The **ZS/.../.../ZTRK** plug-in fuse holders are available as models with or without a status display. When used together with the **FTRK 2.5** and **ZTRK 2.5** base terminals, they provide outstanding versatility and ease of use.



Disconnect-plug ZDS.../ZTR

The established disconnect-plug system has a high-quality surface and thus minimal contact resistance. This ensures precise, unbiased measurement readings. A variety of components can easily be soldered onto an unpopulated test plug.



Actuating tool BWMA/BW

The spring terminals with 2.5 mm² cross-section range can be operated using the **BW 1 to BW 10** and the **BWMA** metallic tools. The special **BW** tools enable you to open multiple terminals simultaneously.



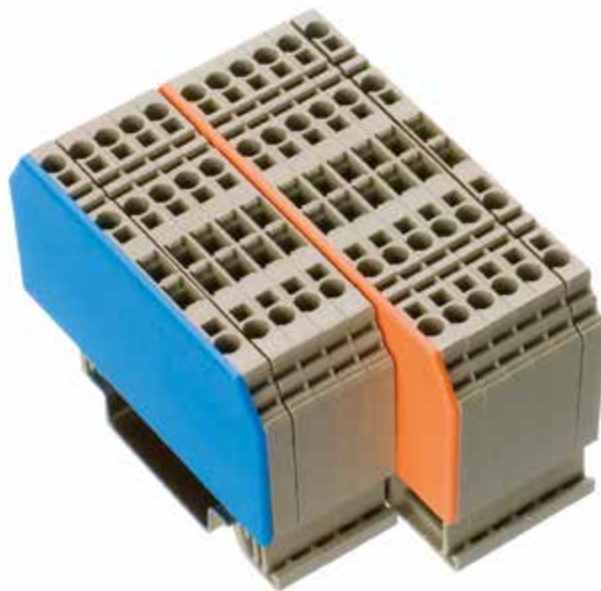
End plates | Visual separation



Push-in connection system

The **PAP** and **FAP** end plates are normally used at the end of a row of terminals. End plates must also be used within a terminal strip when it makes use of terminal blocks of different sizes in order to ensure touch-safe finger protection. The outer dimensions of the end plates match the dimensions of the terminal blocks.

Coloured end plates are often used to establish a clear visual separation between the different circuits or voltage levels. The locking pegs ensure that the end plates can be mounted quickly. Because of the special design of the **PRK** and **FRK** series, an end plate does not need to be used to separate neighbouring cross-connectors of different potentials.



End plates for standard-terminal blocks PRK/PSL, FRK/FSL

Cat. no.	Type	Colour	Qty.	Width	Material	For terminal
27100.1	PAP 1.5/2A GN	Green	20	1.5 mm	PA 6.6 V-0	PRK 1.5/2A PSL 1.5/2A
27100.2	PAP 1.5/2A BG	Beige	20	1.5 mm	PA 6.6 V-0	PRK 1.5/2A PSL 1.5/2A
27100.3	PAP 1.5/2A OG	Orange	20	1.5 mm	PA 6.6 V-0	PRK 1.5/2A PSL 1.5/2A
27100.5	PAP 1.5/2A BU	Blue	20	1.5 mm	PA 6.6 V-0	PRK 1.5/2A PSL 1.5/2A
27100.6	PAP 1.5/2A GR	Grey	20	1.5 mm	PA 6.6 V-0	PRK 1.5/2A PSL 1.5/2A
27101.1	PAP 1.5/3A GN	Green	20	1.5 mm	PA 6.6 V-0	PRK 1.5/3A PSL 1.5/3A
27101.2	PAP 1.5/3A BG	Beige	20	1.5 mm	PA 6.6 V-0	PRK 1.5/3A PSL 1.5/3A
27101.3	PAP 1.5/3A OG	Orange	20	1.5 mm	PA 6.6 V-0	PRK 1.5/3A PSL 1.5/3A
27101.5	PAP 1.5/3A BU	Blue	20	1.5 mm	PA 6.6 V-0	PRK 1.5/3A PSL 1.5/3A
27101.6	PAP 1.5/3A GR	Grey	20	1.5 mm	PA 6.6 V-0	PRK 1.5/3A PSL 1.5/3A
27102.1	PAP 1.5/4A GN	Green	20	1.5 mm	PA 6.6 V-0	PRK 1.5/4A PSL 1.5/4A
27102.2	PAP 1.5/4A BG	Beige	20	1.5 mm	PA 6.6 V-0	PRK 1.5/4A PSL 1.5/4A
27102.3	PAP 1.5/4A OG	Orange	20	1.5 mm	PA 6.6 V-0	PRK 1.5/4A PSL 1.5/4A
27102.5	PAP 1.5/4A BU	Blue	20	1.5 mm	PA 6.6 V-0	PRK 1.5/4A PSL 1.5/4A
27102.6	PAP 1.5/2A GR	Grey	20	1.5 mm	PA 6.6 V-0	PRK 1.5/4A PSL 1.5/4A
27103.1	PAP 2.5/2A GN	Green	20	1.5 mm	PA 6.6 V-0	PRK 2.5/2A PSL 2.5/2A
27103.2	PAP 2.5/2A BG	Beige	20	1.5 mm	PA 6.6 V-0	PRK 2.5/2A PSL 2.5/2A
27103.3	PAP 2.5/2A OG	Orange	20	1.5 mm	PA 6.6 V-0	PRK 2.5/2A PSL 2.5/2A
27103.5	PAP 2.5/2A BU	Blue	20	1.5 mm	PA 6.6 V-0	PRK 2.5/2A PSL 2.5/2A
27103.6	PAP 2.5/2A GR	Grey	20	1.5 mm	PA 6.6 V-0	PRK 2.5/2A PSL 2.5/2A
27104.1	PAP 2.5/3A GN	Green	20	1.5 mm	PA 6.6 V-0	PRK 2.5/3A PSL 2.5/3A
27104.2	PAP 2.5/3A BG	Beige	20	1.5 mm	PA 6.6 V-0	PRK 2.5/3A PSL 2.5/3A
27104.3	PAP 2.5/3A OG	Orange	20	1.5 mm	PA 6.6 V-0	PRK 2.5/3A PSL 2.5/3A
27104.5	PAP 2.5/3A BU	Blue	20	1.5 mm	PA 6.6 V-0	PRK 2.5/3A PSL 2.5/3A
27104.6	PAP 2.5/3A GR	Grey	20	1.5 mm	PA 6.6 V-0	PRK 2.5/3A PSL 2.5/3A
27105.1	PAP 2.5/4A GN	Green	20	1.5 mm	PA 6.6 V-0	PRK 2.5/4A PSL 2.5/4A
27105.2	PAP 2.5/4A BG	Beige	20	1.5 mm	PA 6.6 V-0	PRK 2.5/4A PSL 2.5/4A
27105.3	PAP 2.5/4A OG	Orange	20	1.5 mm	PA 6.6 V-0	PRK 2.5/4A PSL 2.5/4A
27105.5	PAP 2.5/4A BU	Blue	20	1.5 mm	PA 6.6 V-0	PRK 2.5/4A PSL 2.5/4A
27105.6	PAP 2.5/4A GR	Grey	20	1.5 mm	PA 6.6 V-0	PRK 2.5/4A PSL 2.5/4A
27106.1	PAP 4/2A GN	Green	20	1.5 mm	PA 6.6 V-0	PRK 4/2A PSL 4/2A
27106.2	PAP 4/2A BG	Beige	20	1.5 mm	PA 6.6 V-0	PRK 4/2A PSL 4/2A
27106.3	PAP 4/2A OG	Orange	20	1.5 mm	PA 6.6 V-0	PRK 4/2A PSL 4/2A
27106.5	PAP 4/2A BU	Blue	20	1.5 mm	PA 6.6 V-0	PRK 4/2A PSL 4/2A
27106.6	PAP 4/2A GR	Grey	20	1.5 mm	PA 6.6 V-0	PRK 4/2A PSL 4/2A
27107.1	PAP 4/3A GN	Green	20	1.5 mm	PA 6.6 V-0	PRK 4/3A PSL 4/3A
27107.2	PAP 4/3A BG	Beige	20	1.5 mm	PA 6.6 V-0	PRK 4/3A PSL 4/3A
27107.3	PAP 4/3A OG	Orange	20	1.5 mm	PA 6.6 V-0	PRK 4/3A PSL 4/3A
27107.5	PAP 4/3A BU	Blue	20	1.5 mm	PA 6.6 V-0	PRK 4/3A PSL 4/3A
27107.6	PAP 4/3A GR	Grey	20	1.5 mm	PA 6.6 V-0	PRK 4/3A PSL 4/3A
27108.1	PAP 4/4A GN	Green	20	1.5 mm	PA 6.6 V-0	PRK 4/4A PSL 4/4A
27108.2	PAP 4/4A BG	Beige	20	1.5 mm	PA 6.6 V-0	PRK 4/4A PSL 4/4A
27108.3	PAP 4/4A OG	Orange	20	1.5 mm	PA 6.6 V-0	PRK 4/4A PSL 4/4A
27108.5	PAP 4/4A BU	Blue	20	1.5 mm	PA 6.6 V-0	PRK 4/4A PSL 4/4A
27108.6	PAP 4/4A GR	Grey	20	1.5 mm	PA 6.6 V-0	PRK 4/4A PSL 4/4A
27109.1	PAP 6/2A GN	Green	20	1.5 mm	PA 6.6 V-0	PRK 6/2A PSL 6/2A
27109.2	PAP 6/2A BG	Beige	20	1.5 mm	PA 6.6 V-0	PRK 6/2A PSL 6/2A
27109.3	PAP 6/2A OG	Orange	20	1.5 mm	PA 6.6 V-0	PRK 6/2A PSL 6/2A
27109.5	PAP 6/2A BU	Blue	20	1.5 mm	PA 6.6 V-0	PRK 6/2A PSL 6/2A
27109.6	PAP 6/2A GR	Grey	20	1.5 mm	PA 6.6 V-0	PRK 6/2A PSL 6/2A
27110.1	PAP 6/3A GN	Green	20	1.5 mm	PA 6.6 V-0	PRK 6/3A PSL 6/4A
27110.2	PAP 6/3A BG	Beige	20	1.5 mm	PA 6.6 V-0	PRK 6/3A PSL 6/4A
27110.3	PAP 6/3A OG	Orange	20	1.5 mm	PA 6.6 V-0	PRK 6/3A PSL 6/4A
27110.5	PAP 6/3A BU	Blue	20	1.5 mm	PA 6.6 V-0	PRK 6/3A PSL 6/4A
27110.6	PAP 6/3A GR	Grey	20	1.5 mm	PA 6.6 V-0	PRK 6/3A PSL 6/4A
27111.1	PAP 6/4A GN	Green	20	1.5 mm	PA 6.6 V-0	PRK 6/4A PSL 6/4A
27111.2	PAP 6/4A BG	Beige	20	1.5 mm	PA 6.6 V-0	PRK 6/4A PSL 6/4A
27111.3	PAP 6/4A OG	Orange	20	1.5 mm	PA 6.6 V-0	PRK 6/4A PSL 6/4A
27111.5	PAP 6/4A BU	Blue	20	1.5 mm	PA 6.6 V-0	PRK 6/4A PSL 6/4A
27111.6	PAP 6/4A GR	Grey	20	1.5 mm	PA 6.6 V-0	PRK 6/4A PSL 6/4A
27112.1	PAP 10/2A GN	Green	20	1.5 mm	PA 6.6 V-0	PRK 10/2A PSL 10/2A
27112.2	PAP 10/2A BG	Beige	20	1.5 mm	PA 6.6 V-0	PRK 10/2A PSL 10/2A
27112.3	PAP 10/2A OG	Orange	20	1.5 mm	PA 6.6 V-0	PRK 10/2A PSL 10/2A
27112.5	PAP 10/2A BU	Blue	20	1.5 mm	PA 6.6 V-0	PRK 10/2A PSL 10/2A
27112.6	PAP 10/2A GR	Grey	20	1.5 mm	PA 6.6 V-0	PRK 10/2A PSL 10/2A
27113.1	PAP 10/3A GN	Green	20	1.5 mm	PA 6.6 V-0	PRK 10/3A PSL 10/3A
27113.2	PAP 10/3A BG	Beige	20	1.5 mm	PA 6.6 V-0	PRK 10/3A PSL 10/3A
27113.3	PAP 10/3A OG	Orange	20	1.5 mm	PA 6.6 V-0	PRK 10/3A PSL 10/3A
27113.5	PAP 10/3A BU	Blue	20	1.5 mm	PA 6.6 V-0	PRK 10/3A PSL 10/3A
27113.6	PAP 10/3A GR	Grey	20	1.5 mm	PA 6.6 V-0	PRK 10/3A PSL 10/3A
27114.1	PAP 10/4A GN	Green	20	1.5 mm	PA 6.6 V-0	PRK 10/4A PSL 10/4A
27114.2	PAP 10/4A BG	Beige	20	1.5 mm	PA 6.6 V-0	PRK 10/4A PSL 10/4A
27114.3	PAP 10/4A OG	Orange	20	1.5 mm	PA 6.6 V-0	PRK 10/4A PSL 10/4A
27114.5	PAP 10/4A BU	Blue	20	1.5 mm	PA 6.6 V-0	PRK 10/4A PSL 10/4A

End plates for standard-terminal blocks PRK/PSL, FRK/FSL

Cat. no.	Type	Colour	Qty.	Width	Material	For terminal
27114.6	PAP 10/4A GR	Grey	20	1.5 mm	PA 6.6 V-0	PRK 10/4A PSL 10/4A
27115.1	PAP 16/2A GN	Green	20	1.5 mm	PA 6.6 V-0	PRK 16/2A PSL 16/2A
27115.2	PAP 16/2A BG	Beige	20	1.5 mm	PA 6.6 V-0	PRK 16/2A PSL 16/2A
27115.3	PAP 16/2A OG	Orange	20	1.5 mm	PA 6.6 V-0	PRK 16/2A PSL 16/2A
27115.5	PAP 16/2A BU	Blue	20	1.5 mm	PA 6.6 V-0	PRK 16/2A PSL 16/2A
27115.6	PAP 16/2A GR	Grey	20	1.5 mm	PA 6.6 V-0	PRK 16/2A PSL 16/2A
27116.1	PAP 16/3A GN	Green	20	1.5 mm	PA 6.6 V-0	PRK 16/3A PSL 16/3A
27116.2	PAP 16/3A BG	Beige	20	1.5 mm	PA 6.6 V-0	PRK 16/3A PSL 16/3A
27116.3	PAP 16/3A OG	Orange	20	1.5 mm	PA 6.6 V-0	PRK 16/3A PSL 16/3A
27116.5	PAP 16/3A BU	Blue	20	1.5 mm	PA 6.6 V-0	PRK 16/3A PSL 16/3A
27116.6	PAP 16/3A GR	Grey	20	1.5 mm	PA 6.6 V-0	PRK 16/3A PSL 16/3A
27117.1	PAP 16/4A GN	Green	20	1.5 mm	PA 6.6 V-0	PRK 16/4A PSL 16/4A
27117.2	PAP 16/4A BG	Beige	20	1.5 mm	PA 6.6 V-0	PRK 16/4A PSL 16/4A
27117.3	PAP 16/4A OG	Orange	20	1.5 mm	PA 6.6 V-0	PRK 16/4A PSL 16/4A
27117.5	PAP 16/4A BU	Blue	20	1.5 mm	PA 6.6 V-0	PRK 16/4A PSL 16/4A
27117.6	PAP 16/4A GR	Grey	20	1.5 mm	PA 6.6 V-0	PRK 16/4A PSL 16/4A
3400.1	FAP 1.5-4/2A GN	Green	20	1.5 mm	PA 6.6 V-0	FRK 1.5/2A FSL 1.5/2A FRK 2.5/2A FSL 2.5/2A FRK 4/2A FSL 4/2A
3400.2	FAP 1.5-4/2A BG	Beige	20	1.5 mm	PA 6.6 V-0	FRK 1.5/2A FSL 1.5/2A FRK 2.5/2A FSL 2.5/2A FRK 4/2A FSL 4/2A
3400.3	FAP 1.5-4/2A OG	Orange	20	1.5 mm	PA 6.6 V-0	FRK 1.5/2A FSL 1.5/2A FRK 2.5/2A FSL 2.5/2A FRK 4/2A FSL 4/2A
3400.5	FAP 1.5-4/2A BU	Blue	20	1.5 mm	PA 6.6 V-0	FRK 1.5/2A FSL 1.5/2A FRK 2.5/2A FSL 2.5/2A FRK 4/2A FSL 4/2A
3400.8	FAP 1.5-4/2A YE	Yellow	20	1.5 mm	PA 6.6 V-0	FRK 1.5/2A FSL 1.5/2A FRK 2.5/2A FSL 2.5/2A FRK 4/2A FSL 4/2A
3400.9	FAP 1.5-4/2A RD	Red	20	1.5 mm	PA 6.6 V-0	FRK 1.5/2A FSL 1.5/2A FRK 2.5/2A FSL 2.5/2A FRK 4/2A FSL 4/2A
3401.1	FAP 1.5/3A GN	Green	20	1.5 mm	PA 6.6 V-0	FRK 1.5/3A FSL 1.5/3A
3401.2	FAP 1.5/3A BG	Beige	20	1.5 mm	PA 6.6 V-0	FRK 1.5/3A FSL 1.5/3A
3401.3	FAP 1.5/3A OG	Orange	20	1.5 mm	PA 6.6 V-0	FRK 1.5/3A FSL 1.5/3A
3401.5	FAP 1.5/3A BU	Blue	20	1.5 mm	PA 6.6 V-0	FRK 1.5/3A FSL 1.5/3A
3401.8	FAP 1.5/3A YE	Yellow	20	1.5 mm	PA 6.6 V-0	FRK 1.5/3A FSL 1.5/3A
3401.9	FAP 1.5/3A RD	Red	20	1.5 mm	PA 6.6 V-0	FRK 1.5/3A FSL 1.5/3A
3402.1	FAP 1.5/4A GN	Green	20	1.5 mm	PA 6.6 V-0	FRK 1.5/4A FSL 1.5/4A
3402.2	FAP 1.5/4A BG	Beige	20	1.5 mm	PA 6.6 V-0	FRK 1.5/4A FSL 1.5/4A
3402.3	FAP 1.5/4A OG	Orange	20	1.5 mm	PA 6.6 V-0	FRK 1.5/4A FSL 1.5/4A
3402.5	FAP 1.5/4A BU	Blue	20	1.5 mm	PA 6.6 V-0	FRK 1.5/4A FSL 1.5/4A
3402.8	FAP 1.5/4A YE	Yellow	20	1.5 mm	PA 6.6 V-0	FRK 1.5/4A FSL 1.5/4A
3402.9	FAP 1.5/4A RD	Red	20	1.5 mm	PA 6.6 V-0	FRK 1.5/4A FSL 1.5/4A
3411.2	FAP 2.5/3A GN	Green	20	1.5 mm	PA 6.6 V-0	FRK 2.5/3A FSL 2.5/3A
3411.2	FAP 2.5/3A BG	Beige	20	1.5 mm	PA 6.6 V-0	FRK 2.5/3A FSL 2.5/3A
3411.3	FAP 2.5/3A OG	Orange	20	1.5 mm	PA 6.6 V-0	FRK 2.5/3A FSL 2.5/3A
3411.5	FAP 2.5/3A BU	Blue	20	1.5 mm	PA 6.6 V-0	FRK 2.5/3A FSL 2.5/3A
3411.8	FAP 2.5/3A YE	Yellow	20	1.5 mm	PA 6.6 V-0	FRK 2.5/3A FSL 2.5/3A
3411.9	FAP 2.5/3A RD	Red	20	1.5 mm	PA 6.6 V-0	FRK 2.5/3A FSL 2.5/3A
3412.1	FAP 2.5/4A GN	Green	20	1.5 mm	PA 6.6 V-0	FRK 2.5/4A FSL 2.5/4A
3412.2	FAP 2.5/4A BG	Beige	20	1.5 mm	PA 6.6 V-0	FRK 2.5/4A FSL 2.5/4A
3412.3	FAP 2.5/4A OG	Orange	20	1.5 mm	PA 6.6 V-0	FRK 2.5/4A FSL 2.5/4A
3412.5	FAP 2.5/4A BU	Blue	20	1.5 mm	PA 6.6 V-0	FRK 2.5/4A FSL 2.5/4A
3412.8	FAP 2.5/4A YE	Yellow	20	1.5 mm	PA 6.6 V-0	FRK 2.5/4A FSL 2.5/4A
3412.9	FAP 2.5/4A RD	Red	20	1.5 mm	PA 6.6 V-0	FRK 2.5/4A FSL 2.5/4A
3421.1	FAP 4/3A GN	Green	20	1.5 mm	PA 6.6 V-0	FRK 4/3A FSL 4/3A
3421.2	FAP 4/3A BG	Beige	20	1.5 mm	PA 6.6 V-0	FRK 4/3A FSL 4/3A
3421.3	FAP 4/3A OG	Orange	20	1.5 mm	PA 6.6 V-0	FRK 4/3A FSL 4/3A
3421.5	FAP 4/3A BU	Blue	20	1.5 mm	PA 6.6 V-0	FRK 4/3A FSL 4/3A
3421.8	FAP 4/3A YE	Yellow	20	1.5 mm	PA 6.6 V-0	FRK 4/3A FSL 4/3A
3421.9	FAP 4/3A RD	Red	20	1.5 mm	PA 6.6 V-0	FRK 4/3A FSL 4/3A
3422.1	FAP 4/4A GN	Green	20	1.5 mm	PA 6.6 V-0	FRK 4/4A FSL 4/4A
3422.2	FAP 4/4A BG	Beige	20	1.5 mm	PA 6.6 V-0	FRK 4/4A FSL 4/4A
3422.3	FAP 4/4A OG	Orange	20	1.5 mm	PA 6.6 V-0	FRK 4/4A FSL 4/4A
3422.5	FAP 4/4A BU	Blue	20	1.5 mm	PA 6.6 V-0	FRK 4/4A FSL 4/4A
3422.8	FAP 4/4A YE	Yellow	20	1.5 mm	PA 6.6 V-0	FRK 4/4A FSL 4/4A
3422.9	FAP 4/4A RD	Red	20	1.5 mm	PA 6.6 V-0	FRK 4/4A FSL 4/4A

End plates for double-level terminal blocks PRKD, FRKD/FSLD

Cat. no.	Type	Colour	Qty.	Width	Material	For terminal
27118.2	PAPD 2.5 BG	Beige	20	1.5 mm	PA 6.6 V-0	PRKD 2.5
27118.1	PAPD 2.5 GN	Green	20	1.5 mm	PA 6.6 V-0	PRKD 2.5
27118.3	PAPD 2.5 OG	Orange	20	1.5 mm	PA 6.6 V-0	PRKD 2.5
27118.5	PAPD 2.5 BU	Blue	20	1.5 mm	PA 6.6 V-0	PRKD 2.5
27118.6	PAPD 2.5 GR	Grey	20	1.5 mm	PA 6.6 V-0	PRKD 2.5
3423.1	FAPD 2.5 GN	Green	20	1.5 mm	PA 6.6 V-0	FRKD 2.5 FSLD 2.5
3423.2	FAPD 2.5 BG	Beige	20	1.5 mm	PA 6.6 V-0	FRKD 2.5 FSLD 2.5
3423.3	FAPD 2.5 OG	Orange	20	1.5 mm	PA 6.6 V-0	FRKD 2.5 FSLD 2.5
3423.5	FAPD 2.5 BU	Blue	20	1.5 mm	PA 6.6 V-0	FRKD 2.5 FSLD 2.5
17422.1	FAPD 2.5/3A GN	Green	20	1.5 mm	PA 6.6 V-0	FRKD 2.5 FSLD 2.5
17422.2	FAPD 2.5/3A BG	Beige	20	1.5 mm	PA 6.6 V-0	FRKD 2.5 FSLD 2.5
17422.3	FAPD 2.5/3A OG	Orange	20	1.5 mm	PA 6.6 V-0	FRKD 2.5 FSLD 2.5
17422.5	FAPD 2.5/3A BU	Blue	20	1.5 mm	PA 6.6 V-0	FRKD 2.5 FSLD 2.5

End plates for disconnect and fuse-disconnect terminals FSIK, FTRK

Cat. no.	Type	Colour	Qty.	Width	Material	For terminal
3489.2	FAPSI 4/2A BG	Beige	20	1.5 mm	PA 6.6 V-0	FSIK 4/2A FSIK 4/2A/LED FSIK 4/2A/MT
3489.3	FAPSI 4/2A OG	Orange	20	1.5 mm	PA 6.6 V-0	FSIK 4/2A FSIK 4/2A/LED FSIK 4/2A/MT
3290.4	FAPSI 4/2A BK	Black	20	1.5 mm	PA 6.6 V-0	FSIK 4/2A FSIK 4/2A/LED FSIK 4/2A/MT
3489.5	FAPSI 4/2A BU	Blue	20	1.5 mm	PA 6.6 V-0	FSIK 4/2A FSIK 4/2A/LED FSIK 4/2A/MT
3481.1	FAPT 2.5/2A GN	Green	20	1.5 mm	PA 6.6 V-0	FTRK 2.5/2A
3481.2	FAPT 2.5/2A BG	Beige	20	1.5 mm	PA 6.6 V-0	FTRK 2.5/2A
3481.3	FAPT 2.5/2A OG	Orange	20	1.5 mm	PA 6.6 V-0	FTRK 2.5/2A
3481.5	FAPT 2.5/2A BU	Blue	20	1.5 mm	PA 6.6 V-0	FTRK 2.5/2A
3481.8	FAPT 2.5/2A YE	Yellow	20	1.5 mm	PA 6.6 V-0	FTRK 2.5/2A
3481.9	FAPT 2.5/2A RD	Red	20	1.5 mm	PA 6.6 V-0	FTRK 2.5/2A
3482.1	FAPT 2.5/3A GN	Green	20	1.5 mm	PA 6.6 V-0	FTRK 2.5/2A
3482.2	FAPT 2.5/3A BG	Beige	20	1.5 mm	PA 6.6 V-0	FTRK 2.5/2A
3482.3	FAPT 2.5/3A OG	Orange	20	1.5 mm	PA 6.6 V-0	FTRK 2.5/2A
3482.5	FAPT 2.5/3A BU	Blue	20	1.5 mm	PA 6.6 V-0	FTRK 2.5/2A
3482.8	FAPT 2.5/3A YE	Yellow	20	1.5 mm	PA 6.6 V-0	FTRK 2.5/2A
3482.9	FAPT 2.5/3A RD	Red	20	1.5 mm	PA 6.6 V-0	FTRK 2.5/2A

End plates for installation feed-through terminals FRKI, FSLI, FNT

Cat. no.	Type	Colour	Qty.	Width	Material	For terminal
3484.1	FAPI 2.5-4/2A GN	Green	20	1.5 mm	PA 6.6 V-0	FRKI 2.5-4 FSLI 2.5-4 FNT 2.5-4
3484.2	FAPI 2.5-4/2A BG	Beige	20	1.5 mm	PA 6.6 V-0	FRKI 2.5-4 FSLI 2.5-4 FNT 2.5-4
3484.3	FAPI 2.5-4/2A OG	Orange	20	1.5 mm	PA 6.6 V-0	FRKI 2.5-4 FSLI 2.5-4 FNT 2.5-4
3484.5	FAPI 2.5-4/2A BU	Blue	20	1.5 mm	PA 6.6 V-0	FRKI 2.5-4 FSLI 2.5-4 FNT 2.5-4
3485.1	FAPI 6-10/2A GN	Green	20	1.5 mm	PA 6.6 V-0	FRKI 6-10 FSLI 6-10 FNT 6-10
3485.2	FAPI 6-10/2A BG	Beige	20	1.5 mm	PA 6.6 V-0	FRKI 6-10 FSLI 6-10 FNT 6-10
3485.3	FAPI 6-10/2A OG	Orange	20	1.5 mm	PA 6.6 V-0	FRKI 6-10 FSLI 6-10 FNT 6-10
3485.5	FAPI 6-10/2A BU	Blue	20	1.5 mm	PA 6.6 V-0	FRKI 6-10 FSLI 6-10 FNT 6-10
3485.9	FAPI 6-10/2A RD	Red	20	1.5 mm	PA 6.6 V-0	FRKI 6-10 FSLI 6-10 FNT 6-10
17423.1	FAPI 6-10/3A GN	Green	20	1.5 mm	PA 6.6 V-0	FRKI 6-10/3A FSLI 6-10/3A
17423.2	FAPI 6-10/3A BG	Beige	20	1.5 mm	PA 6.6 V-0	FRKI 6-10/3A FSLI 6-10/3A
17423.3	FAPI 6-10/3A OG	Orange	20	1.5 mm	PA 6.6 V-0	FRKI 6-10/3A FSLI 6-10/3A
17423.5	FAPI 6-10/3A BU	Blue	20	1.5 mm	PA 6.6 V-0	FRKI 6-10/3A FSLI 6-10/3A
3486.1	FAPI 16/2A GN	Green	20	1.5 mm	PA 6.6 V-0	FRKI 16/2A FSLI 16/2A FRK 16/2A FSL 16/2A
3486.2	FAPI 16/2A BG	Beige	20	1.5 mm	PA 6.6 V-0	FRKI 16/2A FSLI 16/2A FRK 16/2A FSL 16/2A
3486.3	FAPI 16/2A OG	Orange	20	1.5 mm	PA 6.6 V-0	FRKI 16/2A FSLI 16/2A FRK 16/2A FSL 16/2A
3486.5	FAPI 16/2A BU	Blue	20	1.5 mm	PA 6.6 V-0	FRKI 16/2A FSLI 16/2A FRK 16/2A FSL 16/2A
17241.5	FAPNT 16/2A BU	Blue	20	1.5 mm	PA 6.6 V-0	FNT 16/2A

End plates for three-wire installation terminals FDLIS and three-wire functional terminals FDLI

Cat. no.	Type	Colour	Qty.	Width	Material	For terminal
3480.2	FAP 4/S BG	Beige	20	1.5 mm	PA 6.6 V-0	FDLIS 2.5-4 FDLIS B 2.5-4
3480.3	FAP 4/S OG	Orange	20	1.5 mm	PA 6.6 V-0	FDLIS 2.5-4 FDLIS B 2.5-4
3480.5	FAP 4/S BU	Blue	20	1.5 mm	PA 6.6 V-0	FDLIS 2.5-4 FDLIS B 2.5-4
3487.2	FAPDT 4 BG	Beige	20	1.5 mm	PA 6.6 V-0	FDLI 2.5-4

End plates for initiator terminals FIK

Cat. no.	Type	Colour	Qty.	Width	Material	For terminal
17430.2	FAPIK 2.5/3 BG	Beige	20	1.5 mm	PA 6.6 V-0	FIK 2.5/3 FIK 2.5/3/LED

End plates for multi-level terminal blocks PIKD, PVMAK

Cat. no.	Type	Colour	Qty.	Width	Material	For terminal
27119.1	PAPIKD 2.5 GN	Green	20	1.5 mm	PA 6.6 V-0	PIKD 2.5
27119.2	PAPIKD 2.5 BG	Beige	20	1.5 mm	PA 6.6 V-0	PIKD 2.5
27119.3	PAPIKD 2.5 OG	Orange	20	1.5 mm	PA 6.6 V-0	PIKD 2.5
27119.5	PAPIKD 2.5 BU	Blue	20	1.5 mm	PA 6.6 V-0	PIKD 2.5
27119.6	PAPIKD 2.5 GR	Grey	20	1.5 mm	PA 6.6 V-0	PIKD 2.5
27120.6	PAPVMAK 2.5 GR	Grey	20	1.5 mm	PA 6.6 V-0	PVMAK 2.5
27121.6	PAPIKD/1 2.5 GR	Grey	20	1.5 mm	PA 6.6 V-0	PIKD 2.5/1



Insulated cross-connections PQI (potential distribution)



Push-in connection system

The **PQI** pluggable cross-connection system helps you to save time while distributing potentials over terminal blocks of similar or different cross-section ranges. The pluggable design of the **PQI** offers the advantage that it can carry the rated current even while operating at the rated voltage. **PQI** is constructed to protect

against accidental touch and is available in the cross-section range 1.5 mm² – 10 mm² in 2-, 3-, 4-, 10- and 20-pole.

Various potentials can be conducted in parallel for the cross-sectional range 1.5 mm² to 10 mm² without loss of poles. In order to help distinguish between different potentials, the **PQI** cross-connectors are also available in a blue variant.

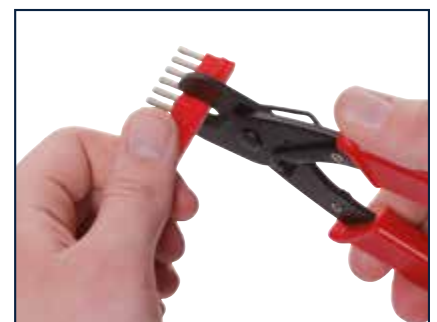
With the standard terminal blocks, it is possible to skip over terminal blocks by breaking out individual contact poles.

For the 16 mm² cross-section range, cross-connections larger than two poles are implemented using the **PQI 16/2** in a chain bridge.

The cross-connection can be shorted using a cutting tool, but you must then make sure that the cut side is fitted with an end plate so that the voltage rating is maintained. For standard terminal blocks in the cross-section range from 1.5 mm², 2.5 mm² and 4 mm², it is adequate to attach the **PQI** in an offset position (two cross-connection channels).

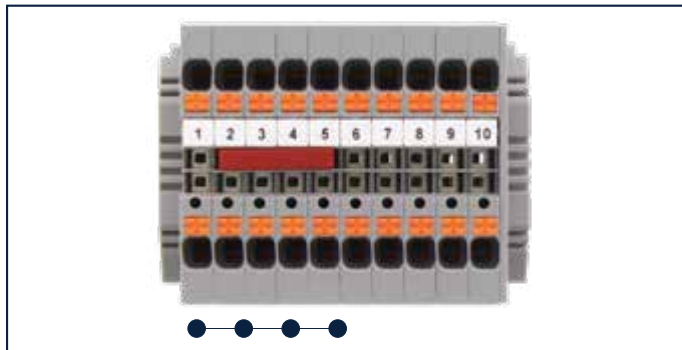
Important note:

When cutting, ensure that you do not change the shape of the contact elements of the **PQI** (do not take them apart or press together).

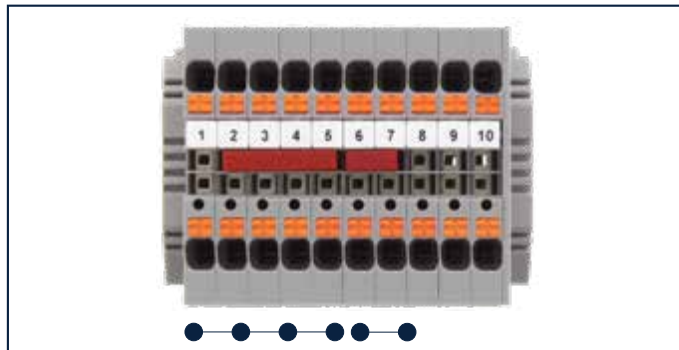


Cross-connections PQI

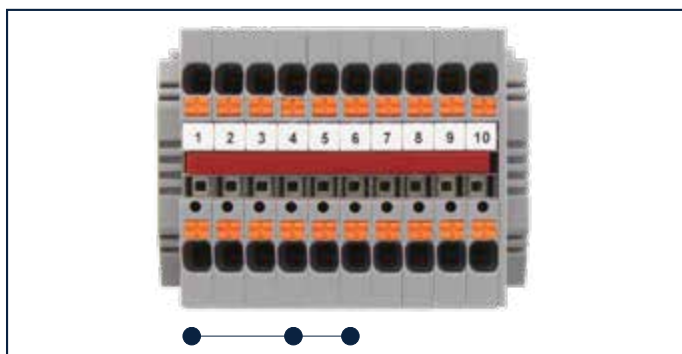
Cross-connection options



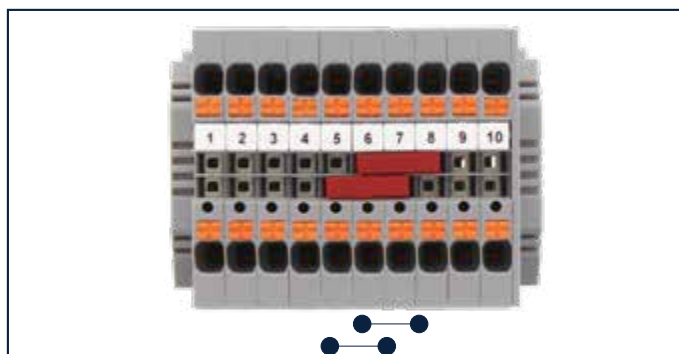
Individual



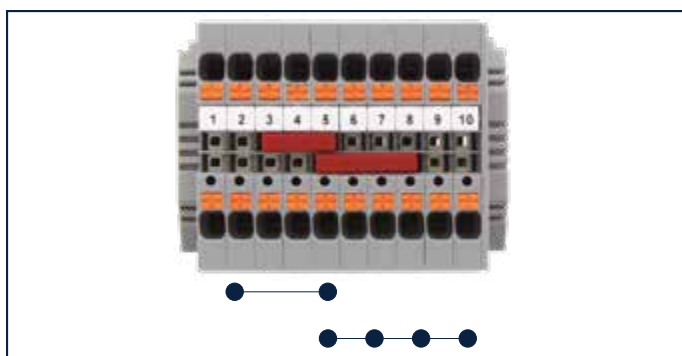
Side-by-side



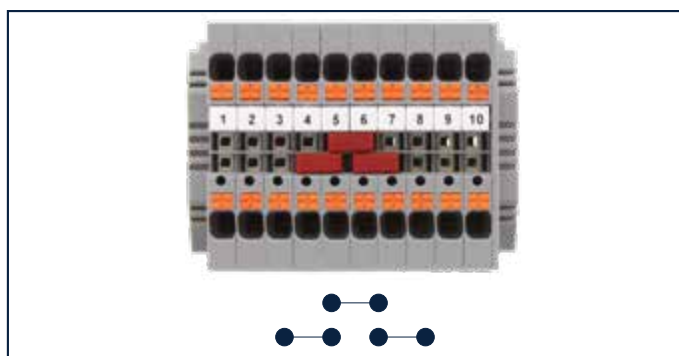
Alternating



Parallel alternating








Parallel extended



Chain linked

Cross-connections PQI

Cross-connections PQI		PQI 1.5	PQI 2.5	PQI 4
<p>The cross-connections for the PRK Push-in connection system have a pluggable, insulated design. They can be used to conduct the rated current of the corresponding cross-section range. The terminal block design and the variability of the cross-connector ensure excellent flexibility.</p>				
Description		Insulated cross-connection	Insulated cross-connection	Insulated cross-connection
Connection type		Push-in	Push-in	Push-in
Type / Colour	2-pole	PQI 1.5/2 BU ●	PQI 2.5/2 BU ●	PQI 4/2 BU ●
Cat. no.	Qty.	27122.5 50	27132.5 50	27142.5 50
Type / Colour	2-pole	PQI 1.5/2 RD ●	PQI 2.5/2 RD ●	PQI 4/2 RD ●
Cat. no.	Qty.	27122.9 50	27132.9 50	27142.9 50
Type / Colour	3-pole	PQI 1.5/3 BU ●	PQI 2.5/3 BU ●	PQI 4/3 BU ●
Cat. no.	Qty.	27123.5 50	27133.5 50	27143.5 50
Type / Colour	3-pole	PQI 1.5/3 RD ●	PQI 2.5/3 RD ●	PQI 4/3 RD ●
Cat. no.	Qty.	27123.9 50	27133.9 50	27143.9 50
Type / Colour	4-pole	PQI 1.5/4 BU ●	PQI 2.5/4 BU ●	PQI 4/4 BU ●
Cat. no.	Qty.	27124.5 20	27134.5 20	27144.5 20
Type / Colour	4-pole	PQI 1.5/4 RD ●	PQI 2.5/4 RD ●	PQI 4/4 RD ●
Cat. no.	Qty.	27124.9 20	27134.9 20	27144.9 20
Type / Colour	10-pole	PQI 1.5/10 BU ●	PQI 2.5/10 BU ●	PQI 4/10 BU ●
Cat. no.	Qty.	27130.5 10	27140.5 10	27150.5 10
Type / Colour	10-pole	PQI 1.5/10 RD ●	PQI 2.5/10 RD ●	PQI 4/10 RD ●
Cat. no.	Qty.	27130.9 10	27140.9 10	27150.9 10
Type / Colour	20-pole	PQI 1.5/20 BU ●	PQI 2.5/20 BU ●	PQI 4/20 BU ●
Cat. no.	Qty.	27131.5 5	27141.5 5	27151.5 5
Type / Colour	20-pole	PQI 1.5/20 RD ●	PQI 2.5/20 RD ●	PQI 4/20 RD ●
Cat. no.	Qty.	27131.9 5	27141.9 5	27151.9 5
Ratings				
Rated current (A)		17.5	24	32
Max. voltage with partition plate (V)		800	800	800
Max. voltage without partition plate (V)		800	800	800
Rated impulse voltage kV / Contamination degree		-/3	-/3	-/3
Pitch, mm		3.5	5.1	6.1
For terminal				
		PRK 1.5...	PRK 2.5...	PRK 4...
		PSL 1.5...	PSL 2.5...	PSL 4...
			PIKD 2.5...	
			PRKD 2.5...	
			PVMAK 2.5	

PQI 6	PQI 10	PQI 16
		
Insulated cross-connection	Insulated cross-connection	Insulated cross-connection
Push-in	Push-in	Push-in
PQI 6/2 BU ●	PQI 10/2 BU ●	PQI 16/2 BU ●
27152.5 50	27162.5 50	27172.5 20
PQI 6/2 RD ●	PQI 10/2 RD ●	PQI 16/2 RD ●
27152.9 50	27162.9 50	27172.9 20
PQI 6/3 BU ●	PQI 10/3 BU ●	
27153.5 50	27163.5 50	
PQI 6/3 RD ●	PQI 10/3 RD ●	
27153.9 50	27163.9 50	
PQI 6/4 BU ●	PQI 10/4 BU ●	
27154.5 20	27164.5 20	
PQI 6/4 RD ●	PQI 10/4 RD ●	
27154.9 20	27164.9 20	
PQI 6/10 BU ●	PQI 10/10 BU ●	
27160.5 10	27170.5 10	
PQI 6/10 RD ●	PQI 10/10 RD ●	
27160.9 10	27170.9 10	
PQI 6/20 BU ●	PQI 10/20 BU ●	
27161.5 5	27171.5 5	
PQI 6/20 RD ●	PQI 10/20 RD ●	
27161.9 5	27171.9 5	
41	57	75
800	800	1000
800	800	1000
-/3	-/3	-/3
8.1	10	12
PRK 6...	PRK 10...	PRK 16...
PSL 6...	PSL 10...	PSL 16...

Insulated cross-connections FQI (potential distribution)



Push-in connection
system

The **FQI** pluggable cross-connection system helps you to save time while distributing potentials over terminal blocks of similar or different cross-section ranges. The pluggable design of the **FQI** offers the advantage that it can carry the rated current even while operating at the rated voltage of 800 V! The **FQI** is

constructed to protect against accidental touch. It is available in 2 – 10 poles.

Parallel connections between various potentials, without loss of poles, is possible in the 1.5 mm², 2.5 mm² and 4 mm² cross-section ranges.



With the standard terminal blocks, it is possible to skip over terminal blocks by breaking out individual contact poles.

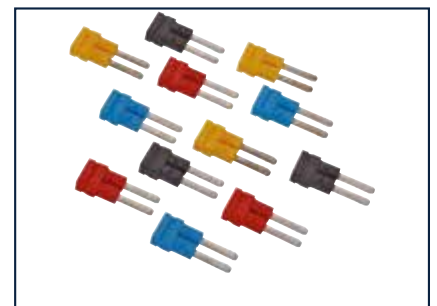
The disconnected contact elements can be labelled by using the plastic insulation from the cross-connection.



It is possible to shorten the cross-connection with a cutting tool, but you must then make sure that the cut side is fitted with an end plate so that the voltage rating is maintained. For standard terminal blocks in the cross-section range from 1.5 mm², 2.5 mm² and 4 mm², it is adequate to attach the **FQI** in an offset position (two cross-connection channels).

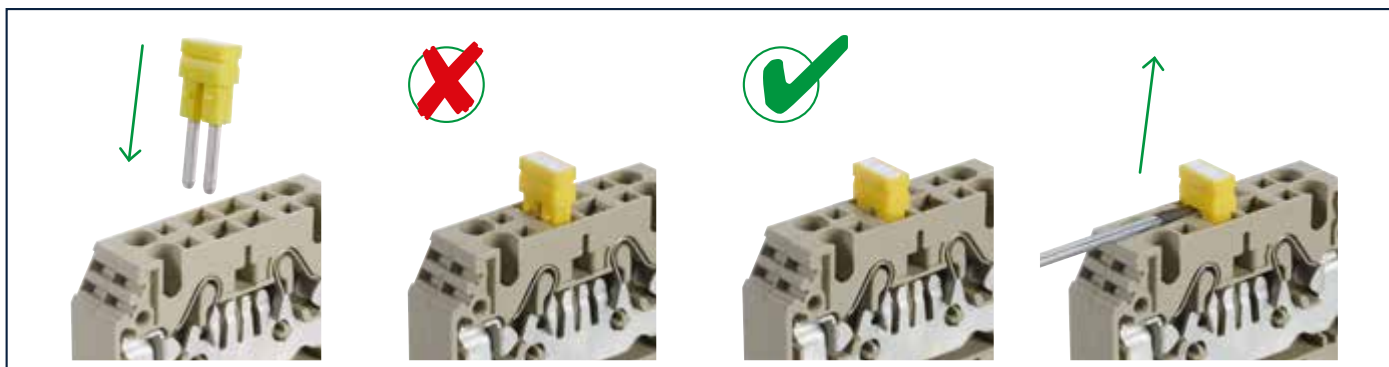


In order to help distinguish between different potentials, other colour variants are available for the **FQI 1.5**, **FQI 2.5** and **FQI 4** cross-connectors.



Insulated cross-connections FQI (potential distribution)

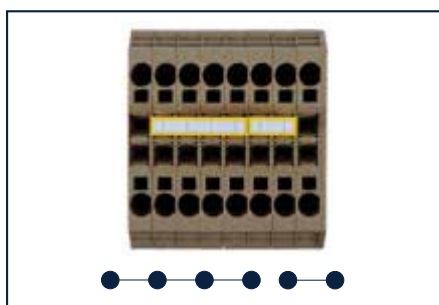
Usage of the FQI



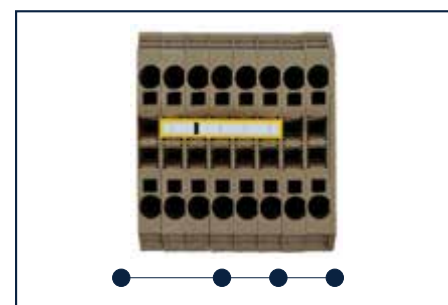
Cross-connection options



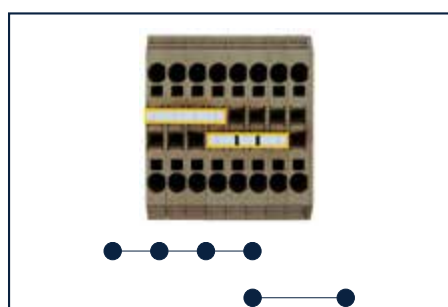
Individual



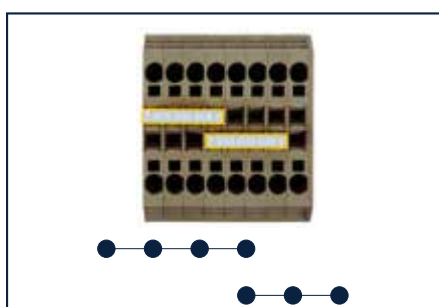
Side-by-side



Alternating



Parallel alternating



Parallel extended

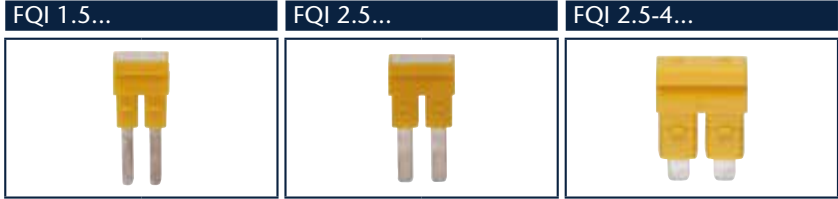


Chain linked

Cross-connections FQI | SQI

Cross-connections FQI | SQI

The **FQI | SQI** cross-connections for the **FRK** Push-in connection system have a pluggable, insulated design. They can be used to conduct the rated current of the corresponding cross-section range. The terminal block design and the variability of the cross-connector ensure excellent flexibility.



Description	FQI 1.5...	FQI 2.5...	FQI 2.5-4...
Connection type	Cross-connection insulated Push-in	Cross-connection insulated Push-in	Cross-connection insulated Push-in
Type / Colour	2-pole FQI 1.5/2 BK ● FQI 1.5/2 BU ●	FQI 2.5/2 BK ● FQI 2.5/2 BU ●	FQI 2.5-4/2 YE ●
Cat. no.	3452.4 50 3452.5 50	3462.4 50 3462.5 50	3492.8 50
Type / Colour	2-pole FQI 1.5/2 YE ● FQI 1.5/2 RD ●	FQI 2.5/2 YE ● FQI 2.5/2 RD ●	
Cat. no.	3452.8 50 3452.9 50	3462.8 50 3462.9 50	
Type / Colour	3-pole FQI 1.5/3 BK ● FQI 1.5/3 BU ●	FQI 2.5/3 BK ● FQI 2.5/3 BU ●	FQI 2.5-4/3 YE ●
Cat. no.	3453.4 50 3453.5 50	3463.4 50 3463.5 50	3493.8 50
Type / Colour	3-pole FQI 1.5/3 YE ● FQI 1.5/3 RD ●	FQI 2.5/3 YE ● FQI 2.5/3 RD ●	
Cat. no.	3453.8 50 3453.9 50	3463.8 50 3463.9 50	
Type / Colour	4-pole FQI 1.5/4 BK ● FQI 1.5/4 BU ●	FQI 2.5/4 BK ● FQI 2.5/4 BU ●	FQI 2.5-4/4 YE ●
Cat. no.	3454.4 20 3454.5 20	3464.4 20 3464.5 20	3494.8 20
Type / Colour	4-pole FQI 1.5/4 YE ● FQI 1.5/4 RD ●	FQI 2.5/4 YE ● FQI 2.5/4 RD ●	
Cat. no.	3454.8 20 3454.9 20	3464.8 20 3464.9 20	
Type / Colour	5-pole FQI 1.5/5 BK ● FQI 1.5/5 BU ●	FQI 2.5/5 BK ● FQI 2.5/5 BU ●	FQI 2.5-4/5 YE ●
Cat. no.	3455.4 20 3455.5 20	3465.4 20 3465.5 20	3495.8 20
Type / Colour	5-pole FQI 1.5/5 YE ● FQI 1.5/5 RD ●	FQI 2.5/5 YE ● FQI 2.5/5 RD ●	
Cat. no.	3455.8 20 3455.9 20	3465.8 20 3465.9 20	
Type / Colour	6-pole FQI 1.5/6 BK ● FQI 1.5/6 BU ●	FQI 2.5/6 BK ● FQI 2.5/6 BU ●	FQI 2.5-4/6 YE ●
Cat. no.	3456.4 20 3456.5 20	3466.4 20 3466.5 20	3496.8 20
Type / Colour	6-pole FQI 1.5/6 YE ● FQI 1.5/6 RD ●	FQI 2.5/6 YE ● FQI 2.5/6 RD ●	
Cat. no.	3456.8 20 3456.9 20	3466.8 20 3466.9 20	
Type / Colour	7-pole FQI 1.5/7 BK ● FQI 1.5/7 BU ●	FQI 2.5/7 BK ● FQI 2.5/7 BU ●	FQI 2.5-4/7 YE ●
Cat. no.	3457.4 20 3457.5 20	3467.4 20 3467.5 20	3497.8 20
Type / Colour	7-pole FQI 1.5/7 YE ● FQI 1.5/7 RD ●	FQI 2.5/7 YE ● FQI 2.5/7 RD ●	
Cat. no.	3457.8 20 3457.9 20	3467.8 20 3467.9 20	
Type / Colour	8-pole FQI 1.5/8 BK ● FQI 1.5/8 BU ●	FQI 2.5/8 BK ● FQI 2.5/8 BU ●	FQI 2.5-4/8 YE ●
Cat. no.	3458.4 10 3458.5 10	3468.4 10 3468.5 10	3498.8 10
Type / Colour	8-pole FQI 1.5/8 YE ● FQI 1.5/8 RD ●	FQI 2.5/8 YE ● FQI 2.5/8 RD ●	
Cat. no.	3458.8 10 3458.9 10	3468.8 10 3468.9 10	
Type / Colour	9-pole FQI 1.5/9 BK ● FQI 1.5/9 BU ●	FQI 2.5/9 BK ● FQI 2.5/9 BU ●	FQI 2.5-4/9 YE ●
Cat. no.	3459.4 10 3459.5 10	3469.4 10 3469.5 10	3499.8 10
Type / Colour	9-pole FQI 1.5/9 YE ● FQI 1.5/9 RD ●	FQI 2.5/9 YE ● FQI 2.5/9 RD ●	
Cat. no.	3459.8 10 3459.9 10	3469.8 10 3469.9 10	
Type / Colour	10-pole FQI 1.5/10 BK ● FQI 1.5/10 BU ●	FQI 2.5/10 BK ● FQI 2.5/10 BU ●	FQI 2.5-4/10 YE ●
Cat. no.	3450.4 10 3450.5 10	3460.4 10 3460.5 10	3490.8 10
Type / Colour	10-pole FQI 1.5/10 YE ● FQI 1.5/10 RD ●	FQI 2.5/10 YE ● FQI 2.5/10 RD ●	
Cat. no.	3450.8 10 3450.9 10	3460.8 10 3460.9 10	
Ratings	IEC	IEC	
Rated current (A)	17.5	24	32
Max. voltage with partition plate (V)	800	800	800
Max. voltage without partition plate (V)	800	800	800
Rated impulse voltage, kV Contamination degree	-/3	-/3	-/3
Pitch, mm	4	5	5
For terminal			
	FRK 1.5...	FRK 2.5...	FDLIS 2.5-4...
	FSL 1.5...	FSL 2.5...	
		FRKD 2.5...	
		FSLD 2.5...	
		FTRK 2.5...	

FIQI 4...	FIQI 2.5-4	FIQI 6-10	SQI 16
			
Cross-connection insulated	Cross-connection insulated	Cross-connection insulated	Cross-connection insulated
Push-in	Push-in	Push-in	Push-in
FIQI 4/2 BK ● FIQI 4/2 BU ●	FIQI 2.5-4/2 YE ●	FIQI 6-4/2 YE ●	SQI 16/2 YE ●
3472.4 50 3472.5 50	17402.8 50	17412.8 50	17247.8 20
FIQI 4/2 YE ● FIQI 4/2 RD ●			
3472.8 50 3472.9 50			
FIQI 4/3 BK ● FIQI 4/3 BU ●	FIQI 2.5-4/3 YE ●	FIQI 6-4/3 YE ●	
3473.4 50 3473.5 50	17403.8 50	17413.8 50	
FIQI 4/3 YE ● FIQI 4/3 RD ●			
3473.8 50 3473.9 50			
FIQI 4/4 BK ● FIQI 4/4 BU ●	FIQI 2.5-4/4 YE ●	FIQI 6-4/4 YE ●	
3474.4 20 3474.5 20	17404.8 20	17414.8 20	
FIQI 4/4 YE ● FIQI 4/4 RD ●			
3474.8 20 3474.9 20			
FIQI 4/5 BK ● FIQI 4/5 BU ●	FIQI 2.5-4/5 YE ●	FIQI 6-4/5 YE ●	
3475.4 20 3475.5 20	17405.8 20	17415.8 20	
FIQI 4/5 YE ● FIQI 4/5 RD ●			
3475.8 20 3475.9 20			
FIQI 4/6 BK ● FIQI 4/6 BU ●	FIQI 2.5-4/6 YE ●	FIQI 6-4/6 YE ●	
3476.4 20 3476.5 20	17406.8 20	17416.8 20	
FIQI 4/6 YE ● FIQI 4/6 RD ●			
3476.8 20 3476.9 20			
FIQI 4/7 BK ● FIQI 4/7 BU ●	FIQI 2.5-4/7 YE ●	FIQI 6-4/7 YE ●	
3477.4 20 3477.5 20	17407.8 20	17417.8 20	
FIQI 4/7 YE ● FIQI 4/7 RD ●			
3477.8 20 3477.9 20			
FIQI 4/8 BK ● FIQI 4/8 BU ●	FIQI 2.5-4/8 YE ●	FIQI 6-4/8 YE ●	
3478.4 10 3478.5 10	17408.8 10	17418.8 10	
FIQI 4/8 YE ● FIQI 4/8 RD ●			
3478.8 10 3478.9 10			
FIQI 4/9 BK ● FIQI 4/9 BU ●	FIQI 2.5-4/9 YE ●	FIQI 6-4/9 YE ●	
3479.4 10 3479.5 10	17409.8 10	17419.8 10	
FIQI 4/9 YE ● FIQI 4/9 RD ●			
3479.8 10 3479.9 10			
FIQI 4/10 BK ● FIQI 4/10 BU ●	FIQI 2.5-4/10 YE ●	FIQI 6-4/10 YE ●	
3470.4 10 3470.5 10	17400.8 10	17410.8 10	
FIQI 4/10 YE ● FIQI 4/10 RD ●			
3470.8 10 3470.9 10			
IEC			
32			
800			
800			
- / 3			
6			
FRK 4...	FRKI 2.5-4...	FRKI 6-10...	FRK 16...
FSL 4...	FSLI 2.5-4...	FSLI 6-10...	FSL 16...
	FNT 2.5-4...	FNT 6-10...	FRKI 16...
			FSLI 16...
			FNT 16...

Cross-connections FQI (potential distribution)

The **FQI** pluggable cross-connection system helps you to save time while distributing potentials over terminal blocks of similar or different cross-sections.

Feed-in through	Outlet through	Feed-in at start left	Feed-in at end right
FRK 1.5/2A (3200...)	FRK 1.5/2A ((3200...))	FQI 1.5/...	FQI 1.5/...
	FRK 1.5/3A (3201...)	FQI 1.5/...	not possible
	FRK 1.5/4A (3202...)	FQI 1.5/...	not possible
	FRK 2.5/2A (3210...)	FQI 1.5/2	FQI 1.5/2
	FRK 2.5/3A (3211...)	FQI 1.5/2	not possible
	FRK 2.5/4A (3212...)	FQI 1.5/2	not possible
	FRK 4/2A (3220...)	not possible	not possible
	FRK 4/3A (3221...)	not possible	not possible
FRK 1.5/3A (3201...)	FRK 4/4A (3222...)	not possible	not possible
	FRK 1.5/2A ((3200...))	not possible	FQI 1.5/...
	FRK 1.5/3A (3201...)	FQI 1.5/...	FQI 1.5/...
	FRK 1.5/4A (3202...)	FQI 1.5/...	not possible
	FRK 2.5/2A (3210...)	not possible	FQI 1.5/2
	FRK 2.5/3A (3211...)	FQI 1.5/2	FQI 1.5/2
	FRK 2.5/4A (3212...)	FQI 1.5/2	not possible
	FRK 4/2A (3220...)	not possible	not possible
FRK 1.5/4A (3202...)	FRK 4/3A (3221...)	not possible	not possible
	FRK 4/4A (3222...)	not possible	not possible
	FRK 1.5/2A ((3200...))	not possible	FQI 1.5/...
	FRK 1.5/3A (3201...)	not possible	FQI 1.5/...
	FRK 1.5/4A (3202...)	FQI 1.5/...	FQI 1.5/...
	FRK 2.5/2A (3210...)	not possible	FQI 1.5/2
	FRK 2.5/3A (3211...)	not possible	FQI 1.5/2
	FRK 2.5/4A (3212...)	FQI 1.5/2	FQI 1.5/2
FRK 2.5/2A (3210...)	FRK 4/2A (3220...)	not possible	not possible
	FRK 4/3A (3221...)	not possible	not possible
	FRK 4/4A (3222...)	not possible	not possible
	FRK 1.5/2A ((3200...))	FQI 1.5/...	FQI 1.5/...
	FRK 1.5/3A (3201...)	FQI 1.5/...	not possible
	FRK 1.5/4A (3202...)	FQI 1.5/...	not possible
	FRK 2.5/2A (3210...)	FQI 2.5/...	FQI 2.5/...
	FRK 2.5/3A (3211...)	FQI 2.5/...	not possible
FRK 2.5/3A (3211...)	FRK 2.5/4A (3212...)	FQI 2.5/...	not possible
	FRK 4/2A (3220...)	FQI 2.5/2	FQI 2.5/2
	FRK 4/3A (3221...)	FQI 2.5/2	not possible
	FRK 4/4A (3222...)	FQI 2.5/2	not possible
	FRK 1.5/2A ((3200...))	not possible	FQI 1.5/...
	FRK 1.5/3A (3201...)	FQI 1.5/...	FQI 1.5/...
	FRK 1.5/4A (3202...)	FQI 1.5/...	not possible
	FRK 2.5/2A (3210...)	not possible	FQI 2.5/...
FRK 2.5/4A (3212...)	FRK 2.5/3A (3211...)	FQI 2.5/...	FQI 2.5/...
	FRK 2.5/4A (3212...)	FQI 2.5/...	not possible
	FRK 4/2A (3220...)	not possible	FQI 2.5/2
	FRK 4/3A (3221...)	FQI 2.5/2	FQI 2.5/2
	FRK 4/4A (3222...)	FQI 2.5/2	not possible
	FRK 1.5/2A ((3200...))	not possible	FQI 1.5/...
	FRK 1.5/3A (3201...)	not possible	FQI 1.5/...
	FRK 1.5/4A (3202...)	FQI 1.5/...	FQI 1.5/...
FRK 1.5/2A ((3200...))	FRK 2.5/2A (3210...)	not possible	FQI 2.5/...
	FRK 2.5/3A (3211...)	not possible	FQI 2.5/...
	FRK 2.5/4A (3212...)	FQI 2.5/...	FQI 2.5/...
	FRK 4/2A (3220...)	not possible	FQI 2.5/2
	FRK 4/3A (3221...)	not possible	FQI 2.5/2
	FRK 4/4A (3222...)	FQI 2.5/2	FQI 2.5/2
	FRK 1.5/3A (3201...)	not possible	not possible
	FRK 1.5/4A (3202...)	not possible	not possible

Feed-in through	Outlet through	Feed-in at start left	Feed-in at end right
FRK 4/2A (3220...)	FRK 1.5/2A ((3200...))	not possible	not possible
	FRK 1.5/3A (3201...)	not possible	not possible
	FRK 1.5/4A (3202...)	not possible	not possible
	FRK 2.5/2A (3210...)	FQI 2.5/...	FQI 2.5/...
	FRK 2.5/3A (3211...)	FQI 2.5/...	not possible
	FRK 2.5/4A (3212...)	FQI 2.5/...	not possible
	FRK 4/2A (3220...)	FQI 4/...	FQI 4/...
	FRK 4/3A (3221...)	FQI 4/...	not possible
	FRK 4/4A (3222...)	FQI 4/...	not possible
FRK 4/3A (3221...)	FRK 1.5/2A ((3200...))	not possible	not possible
	FRK 1.5/3A (3201...)	not possible	not possible
	FRK 1.5/4A (3202...)	not possible	not possible
	FRK 2.5/2A (3210...)	not possible	FQI 2.5/...
	FRK 2.5/3A (3211...)	FQI 2.5/...	FQI 2.5/...
	FRK 2.5/4A (3212...)	FQI 2.5/...	not possible
	FRK 4/2A (3220...)	not possible	FQI 4/...
	FRK 4/3A (3221...)	FQI 4/...	FQI 4/...
	FRK 4/4A (3222...)	FQI 4/...	not possible
FRK 4/4A (3222...)	FRK 1.5/2A ((3200...))	not possible	not possible
	FRK 1.5/3A (3201...)	not possible	not possible
	FRK 1.5/4A (3202...)	not possible	not possible
	FRK 2.5/2A (3210...)	not possible	FQI 2.5/...
	FRK 2.5/3A (3211...)	not possible	FQI 2.5/...
	FRK 2.5/4A (3212...)	FQI 2.5/...	FQI 2.5/...
	FRK 4/2A (3220...)	not possible	FQI 4/...
	FRK 4/3A (3221...)	not possible	FQI 4/...
	FRK 4/4A (3222...)	FQI 4/...	FQI 4/...



Four-way covers FAD

Four-way covers FAD		FAD 1.5	FAD 2.5	FAD 4
<p>VDE regulations require that the mains terminals are covered. The yellow ZAD covers (labelled with a lightning flash) are used to cover the operational channel. Thus, they discourage operation of the terminal while live voltage is present.</p>				
Description		Four-way cover with lighting arrow	Four-way cover with lighting arrow	Four-way cover with lighting arrow
Connection type		Push-in	Push-in	Push-in
Type / colour		FAD 1.5/4/B YE ●	FAD 2.5/4/B YE ●	FAD 4/4/B YE ●
<i>Cat. no.</i>	Qty.	3425.8	3426.8	3427.8
Qty.		20	20	20
Ratings				
Pitch, mm		4.1	5.1	6.1
Material		PA 6.6 V-0	PA 6.6 V-0	PA 6.6 V-0
For terminal		FRK 1.5... FSL 1.5...	FRK 2.5... FSL 2.5... FRKD 2.5... FSLD 2.5... FDLIS 2.5-4... FTRK 2.5...	FRK 4... FSL 4...

Labelling adapter FBA | PBA

Labelling adapter FBA PBA		FBA 1	PBA 2	PBA 3
<p>In addition to the standard holder in the terminal housing, you can also label the multi-level terminals. The FBA or PBA labelling adapter can be attached to the middle of the terminal housing – even when the terminal is wired up.</p>				
Description		Labelling adapter for double-level terminals	Labelling adapter for double-level terminals	Labelling adapter for triple-level terminals
Connection type		Push-in	Push-in	Push-in
Type / colour		FBA 1 BG ●	PBA 2 GR ●	PBA 3 GR ●
<i>Cat. no.</i>	Qty.	3424.2	27174.6	27175.6
Qty.		20	20	20
Ratings				
Pitch, mm		5.1	5,1	5,1
Material		PA 6.6 V-0	PA 6.6 V-0	PA 6.6 V-0
Accessories				
Quick marking PMC SB		PMC SB 5/50 WH	PMC SB 5/50 WH	PMC SB 5/50 WH
<i>Cat. no.</i>	Qty.	4600.7	4600.7	4600.7
Qty.		500	500	500
For terminal		FRKD 2.5...	PRKD 2,5...	PIKD 2,5...

Test plug PS

Test plug PS




The test plug **PS 2.3** enables a direct measurement to be made at the test pick-off of the terminal for **PRK** terminals. The test plugs do not snap in mechanically to the terminal.

PS 2.3












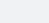
Description	Test plug	
Connection type	Push-in	
Type / colour	PS 2.3	
<i>Cat. no.</i>	Qty.	2007.0 20
Type / colour		
<i>Cat. no.</i>	Qty.	
Ratings		
Pitch, mm	5.2	
Additional height for each terminal block, mm	22	
Length, mm	32	
Connection data		
Fine-stranded, mm ²	0.5–1	
Stripping length, mm	5	
Connection data		
Quick marking	PMC SB 6/50 WH	
<i>Cat. no.</i>	Qty.	4702.7 500
For terminal		
	PRK 1.5...	
	PRK 2.5...	
	PRK 4...	
	PRK 6...	
	PRK 10...	
	PRK 16...	
	PRKD 2.5...	
	PIKD 2.5...	
	PVMAK 2.5...	

Fuse holder ZS | Disconnect-plug ZDS

Fuse holder ZS/.../.../ZTRK		ZS/H0/ZTR	ZS/H1/ZTR/36	ZS/H2/ZTR/70
<p>The ZS/.../.../ZTRK plug-in fuse holders are available as models with or without a status display. When used together with the FTRK 2.5 and ZTRK 2.5 base terminals, they provide outstanding versatility and ease of use.</p>				
Description		Fuse holder without status display	Fuse holder 10 – 36 V with status display	Fuse holder 35 – 70 V with status display
Connection type		Push-in	Push-in	Push-in
Type / colour		ZS/H0/ZTR	ZS/H1/ZTR/36	ZS/H2/ZTR/70
<i>Cat. no.</i>	Qty.	3635.2 20	3631.2 20	3632.2 20
Type / colour				
<i>Cat. no.</i>	Qty.			
Type / colour				
<i>Cat. no.</i>	Qty.			
Type / colour				
<i>Cat. no.</i>	Qty.			
Ratings				
Pitch, mm		5.1	5.1	5.1
Rated voltage (V)		0–400	10–36	35–70
Rated current (A)		6.3	6.3	6.3
Residual current via LED (mA)			< 5	< 5
Max. power loss on fuse (mA)		1.6	1.6	1.6
Connection data				
Fuse size		5 x 20	5 x 20	5 x 20
Accessories				
Quick marking PMC SB		PMC SB 5/50 WH	PMC SB 5/50 WH	PMC SB 5/50 WH
<i>Cat. no.</i>	Qty.	4600.7 500	4600.7 500	4600.7 500
For terminal		ZTRK 2.5... FTRK 2.5...	ZTRK 2.5... FTRK 2.5...	ZTRK 2.5... FTRK 2.5...

Actuating tools BWMA | BW

Actuating tool BWMA/BW		BWMA 1 (0,5 x 2.5)	BWMA 1 (0,5 x 3,5)	BW...(FRK)
<p>The spring terminals with 2.5 mm² cross-section can be operated using the BW 1 to BW 10 and the BWMA metallic tools. The special BW tools enable you to open multiple terminals simultaneously.</p>				
Description		Metal actuating tool	Metal actuating tool	Metal actuating tool
Connection type		Push-in	Push-in	Push-in
Type / colour		BWMA 1 (0.5 x 2.5 mm)	BWMA 1 (0.5 x 3.5 mm)	BW 1 (FRK)
<i>Cat. no.</i>	Qty.	3841.0 1	3808.0 1	3831.0 1
Type / colour				BW 2 (FRK)
<i>Cat. no.</i>	Qty.			3832.0 1
Type / colour				BW 3 (FRK)
<i>Cat. no.</i>	Qty.			3833.0 1
Type / colour				BW 4 (FRK)
<i>Cat. no.</i>	Qty.			3834.0 1
Type / colour				BW 5 (FRK)
<i>Cat. no.</i>	Qty.			3835.0 1
Ratings				
Blade size, mm		0.5	0.5	2.8
Blade width, mm		2.5	3.5	18
Blade length, mm		85	85	
For terminal				
		PRK 1.5...	PRK 2.5...	FRK 2.5...
		PRK 2.5...	PRK 4...	FSL 2
		PRKD 2.5...	PRKD 2.5...	FTRK 2.5...
		PIKD 2.5...	PIKD 2.5...	FRKD 2.5...
		PVMAK 2.5...	PVMAK 2.5...	

ZS/H3/ZTR/150	ZS/H4/ZTR/250	Disconnect plug	ZDS.../ZTR
		The established disconnect-plug system has a high-quality surfaces and thus minimal contact resistance. This ensures precise, unbiased measurement readings. A variety of components can easily be soldered onto an unpopulated test plug.	
Fuse holder 60 – 150 V with status display	Fuse holder 35 – 70 V with status display	Description	Disconnect plug
Push-in	Push-in	Connection type	Push-in
ZS/H3/ZTR/150	ZS/H4/ZTR/250	Type / colour	ZDS 1/ZTR
3633.2	3634.2	<i>Cat. no.</i>	3612.2
20	20	<i>Qty.</i>	20
			Disconnect-plug with wire jumper 
		Type / colour	ZDS 2/ZTR
		<i>Cat. no.</i>	3613.2
		<i>Qty.</i>	20
			Disconnect plug with diode 
		Type / colour	ZDS 3/ZTR
5.1	5.1	<i>Cat. no.</i>	3614.2
60 – 150	140 – 250	<i>Qty.</i>	20
6.3	6.3		Disconnect plug with diode 
< 5	< 5	Type / colour	ZDS 4/ZTR
1.6	1.6	<i>Cat. no.</i>	3615.2
		<i>Qty.</i>	20
			Unpopulated disconnect plug 
5 x 20	5 x 20	Ratings	
PMC SB 5/50 WH	PMC SB 5/50 WH	Pitch, mm	5.1
4600.7	4600.7	Rated voltage (V)	400
500	500	Rated current (A)	15
ZTRK 2.5...	ZTRK 2.5...	Connection data	
FTRK 2.5...	FTRK 2.5...	Diode	Soldered diode 1N4007
			Reverse voltage 1000 V / Current 1 A
		Accessories	
		Quick marking PMC SB	PMC SB 5/50 WH
		<i>Cat. no.</i>	4600.7
		<i>Qty.</i>	500
		For terminal	
			ZTRK 2.5...
			FTRK 2.5...

BW...(FRK)



Metal actuating tool

Push-in	
BW 6 (FRK)	6-pole
3836.0	1
BW 7 (FRK)	7-pole
3837.0	1
BW 8 (FRK)	8-pole
3838.0	1
BW 9 (FRK)	9-pole
3839.0	1
BW 10 (FRK)	10-pole
3840.0	1

2.8
18

FRK 2.5...
FSL 2
FTRK 2.5...
FRKD 2.5...

Overview general accessories

DIN rails

A wide variety of DIN rails are available, in two-meter sections or pre-cut as required. They vary in shape, size and material. They fit on various rail types (C profile **TS 32**, Automatic profile **TS 35**, compact rail **TS 15**), are made from steel, copper or PVC, and are available in slotted or unslotted versions.



End stops | End supports

End stops are necessary for preventing movement of components along the rail. They are put in at the beginning and at the end of the rail assembly. Depending on the DIN rail, they differ in the dimensions of the mounting foot and their screw-on or snap-on design. End stops can also be used to hold a variety of group marker holders. An end support with screw flange or snap-in clip ensures that the terminal block is securely attached to the mounting plates.



Group marker holders

Group marker holders allow you to clearly label terminal strip configurations. They are available in a variety of versions. Adhesive labels, paper strips or standard terminal markers are used for the labelling.



Touch-safe protection TWMF | RK-Safe-Box

Several safety regulations require that the active parts of electrical equipment be protected against direct touch contact. For terminals using cross-connectors or test sockets, this protection must be provided using additional covers. Cover profiles with assigned **TWMF** support plates are used for this purpose. They can be used with the main terminal sizes. Especially when used in front of the electrical meter for power distribution applications, the **RK-Safe-Box** is very effective at preventing unauthorized re-wiring or access to converter terminals



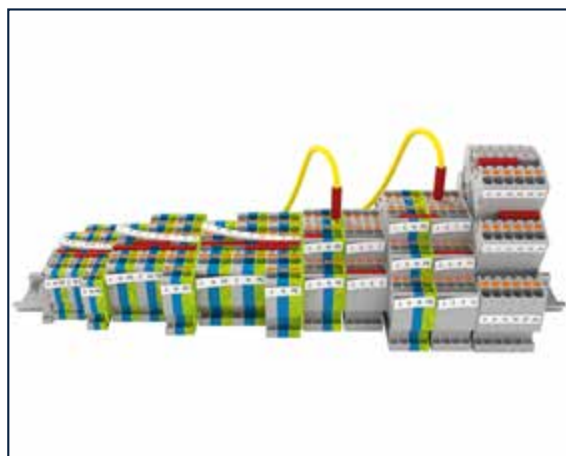
Screwdrivers

A wide variety of screwdrivers is available that has been customized to the CONTA-CONNECT range of products. They ensure that wires and cables are safely connected to CONTA-CLIP terminal blocks. These tools are available in insulated or uninsulated versions. They feature high-quality and long-lasting bits.



Terminal marker

Our extensive line of products feature ready-to-use markers with standard and customised print, unprinted markers in the classic **MC** Maxicard format for DIY printing with the **EMS** plotter, as well as marker holders and group label holders in a variety of designs. These tables provide an overview of which markers can be snapped onto which terminals. The pitch dimension is decisive when making a selection. For a 5 mm wide terminal, the marker must have a width of 5 mm so that it can be applied to the terminal in strips. If the marker is to be attached to a terminal with a larger pitch, then the strips must be separated into individual markers.



List of terminal markers available for CONTA-CLIP terminal blocks, end supports and marker holders

Terminal type	Width, mm	Terminal marker									
		SB 4	SB 5	SB 6	SB 7.5	SB 8	BSTR 5	BSTR 5 MI	BSTR 6	BSTR 8	BSTR 10
Screw terminals											
BKA 2.5 ...	5	x	x								
BKA 4 ...	6	x	x	x							
BKA 10 ...	8	x	x	x		x					
DLI/DLIS...	6	x	x	x							
FF 1/15	6	x	x	x							
FF 2.5	6	x	x	x			x	x	x		
HSK...	13-50	x	x	x		x	x	x	x	x	
HSKG...	27-55	x	x	x		x	x	x	x	x	
IK ...	5	x	x								
IKD ...	5	x	x								
KBL 1.5-4	6	x	x	x							
KBL 2.5	50	x	x				x	x			
KBL 2.5-4	60	x	x	x			x	x	x		
KBL 6-10...	80	x	x	x		x	x	x	x		
KBLD 2.5	50	x	x								
KBLD 4	60	x	x	x							
MAG...	10	x	x	x		x					
NT 2.5-4 ...	6	x	x	x			x	x	x		
NT 6-10 ...	8	x	x	x		x	x	x	x		
PTK ...	8	x	x	x		x	x	x	x		
RK 1.5-4	6	x	x	x							
RK 2.5...	5	x	x				x	x			
RK 6-10..	8	x	x	x		x	x	x	x		
RK 16...	12	x	x	x		x	x	x	x	x	
RK 35...	16	x	x	x		x	x	x	x	x	
RK 50...	20	x	x	x		x	x	x	x	x	
RK 95...	25	x	x	x		x	x	x	x	x	
RK 150...	31	x	x	x		x	x	x	x	x	
RK 240...	36	x	x	x		x	x	x	x	x	
RK 2.5-4...	6	x	x	x			x	x	x		
RKB 4	6	x	x	x							
RKD 2.5 ...	5	x	x								
RKD 4 ...	6	x	x	x							
RKDG 4...	6	x	x	x			x	x	x		
SF 2.5-4	6	x	x	x			x	x	x		
SIK 10 ...	8	x	x	x		x	x	x	x		
SK 1	12.2	x	x	x							
SL 2.5...	6	x	x	x			x	x	x		
SL 4/15 ...	7	x	x	x							
SL 4/35 ...	8	x	x	x		x	x	x	x		
SL 10...	10	x	x	x		x	x	x	x	x	
SL 16...	12	x	x	x		x	x	x	x	x	
SL 35...	16	x	x	x		x	x	x	x	x	
SLN 2.5 ...	6	x	x	x							
SPTK 6...	8	x	x	x		x	x	x	x		
SRK 2.5	5	x	x								
SRK 2.5/15	5	x	x								
SRK 2.5/2A...	5	x	x				x	x			
SRK 4/2A...	6	x	x	x			x	x	x		
SRK 6/2A...	8	x	x	x		x	x	x	x		
SRK 10/2A...	10	x	x	x		x	x	x	x	x	
SRK 16/2A...	12.1	x	x	x		x	x	x	x	x	
SRK 35/2A...	16.1	x	x	x		x	x	x	x	x	
SRK 50/2A	18.5	x	x	x		x	x	x	x	x	
SRK 70/2A	20.5	x	x	x		x	x	x	x	x	
SRK 120/2A	27	x	x	x		x	x	x	x	x	
SRKD 2.5...	5.1	x	x				x	x			
SRKD 4...	6.1	x	x	x			x	x	x	x	
SRKD 10...	10.1	x	x	x		x	x	x	x	x	
SSIK 4/2A...	6.1	x	x	x		x	x	x	x		
SSIK 6/2A...	8.1	x	x	x		x	x	x	x		
SSL 2.5/2A	5	x	x				x	x			
SSL 4/2A	6	x	x	x			x	x	x		
SSL 6/2A	8	x	x	x		x	x	x	x		
SSL 10/2A	10	x	x	x		x	x	x	x	x	
SSL 16/2A...	12.1	x	x	x		x	x	x	x	x	
SSL 35/2A...	16.1	x	x	x		x	x	x	x	x	
SSL 50/2A	18.5	x	x	x		x	x	x	x	x	
SSL 70/2A	20.5	x	x	x		x	x	x	x	x	
SSLD 2.5	5.1	x	x				x	x			
SSLD 4	6.1	x	x	x		x	x	x	x		
SSLD 10	10.1	x	x	x		x	x	x	x	x	
STKD 1...	8	x	x	x							
STK 2	8	x	x	x							
STK 1	8	x	x	x							
TK 2...	8	x	x	x							
TK 4...	7.5					x					
TK 4/SL...	12.5					x					
TK 10...	9					x					
TKS 4...	7.5					x					
TKS 4/SL...	12.5					x					
TKS 10	11.25					x					
TRK 1.5 ...	6	x	x	x			x	x	x		
TSK 2.5...	10	x	x	x			x	x	x		
VMAK 2.5	6	x	x	x							

Terminal type		Terminal marker									
Tension-spring terminals	Width, mm	SB 4	SB 5	SB 6	SB 7.5	SB 8	BSTR 5	BSTR 5 MI	BSTR 6	BSTR 8	BSTR 10
ZIKD 2.5...	5	x	x					x			
ZIZA	5	x	x					x			
ZMP 1.5	5	x	x					x			
ZRK 2.5...	5	x	x								
ZRK 4...	6	x	x	x				x			
ZRK 6...	8	x	x	x		x		x			
ZRK 10	10	x	x	x		x		x			
ZRK 16	12	x	x	x		x		x			
ZRKD 2.5...	5	x	x								
ZSL 2.5	5	x	x								
ZSL 4	6	x	x	x				x			
ZSL 6	8	x	x	x		x		x			
ZSL 10	10	x	x	x		x		x			
ZSL 16	12	x	x	x		x		x			
ZSLD 2.5...	5	x	x								
ZSLN 2.5...	5	x	x								
ZSRK 2.5...	5	x	x								
ZTRK 2.5...	5	x	x								
ZVMAK 2.5	5	x	x								
ZRKS 2.5...	5.1	x	x								
ZSLS 2.5...	5.1	x	x								
ZST 2.5	5.1	x	x								
ZSTK 2.5...	5.1	x	x								

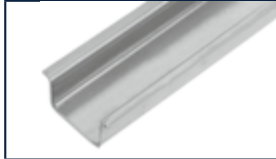
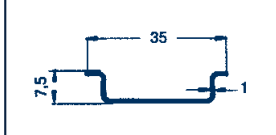


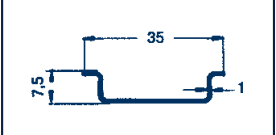


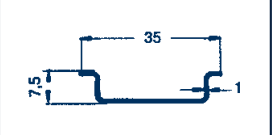
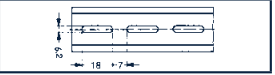
List of terminal markers available for CONTA-CLIP terminal blocks, end supports and marker holders


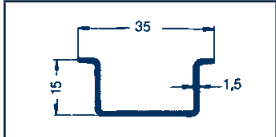


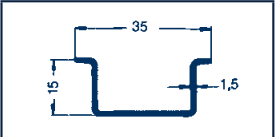


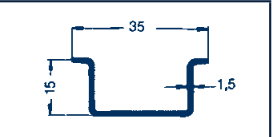
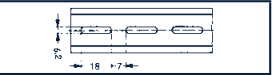
Terminal type		Terminal marker									
Push-in terminals	Width, mm	SB 4	SB 5	SB 6	SB 7.5	SB 8	BSTR 5	BSTR 5 MI	BSTR 6	BSTR 8	BSTR 10
FDLIS	5	x	x								
FDLI 2.5-4...	5.1	x	x								
FIK 2.5...	5.1	x	x								
FNT 2.5-4	5.1	x	x								
FNT 6-10	8.1	x	x	x		x					
FRK 1.5...	4	x									
FRK 2.5...	5	x	x				x	x			
FRK 4...	6	x	x	x							
FRKD 2.5...	5	x	x								
FRKI 2.5-4	5.1	x	x								
FRKI 6-10/3A	8.1	x	x	x		x					
FSL 1.5...	4	x									
FSL 2.5...	5	x	x								
FSL 4	6	x	x	x							
FSLD 2.5	5	x	x								
FSLI 2.5-4	5.1	x	x								
FSLI 6-10/3A	8.1	x	x	x		x					
FSIK 4/2A...	6.1	x	x	x							
FTRK 2.5	5	x	x								
PIKD 2.5...	5.1	x	x				x				
PRK 1.5...	3.5										
PRK 2.5...	5.1	x	x								
PRK 4...	6.1	x	x	x							
PRK 6...	8.1	x	x	x		x					
PRK 10...	10.1	x	x	x		x					
PRK 16...	12.1	x	x	x		x					
PRKD 2.5...	5.1	x	x				x				
PVMAK 2.5...	5.1	x	x				x				
End stops	Width, mm	SB 4	SB 5	SB 6	SB 7.5	SB 8	BSTR 5	BSTR 5 MI	BSTR 6	BSTR 8	BSTR 10
EH 1	7	x	x	x							
EH 2-Z	5	x	x								
EH 4	8	x	x	x		x	x	x	x	x	
ES 15	7.5	x	x	x							
ES 32/35 Combi	9.5	x	x	x		x	x	x	x	x	
ES 35	7.5	x	x	x			x	x	x	x	
ES 35/2/K	8	x	x	x		x	x	x	x	x	
ES 35/K/ST	9.5	x	x	x		x	x	x	x	x	
ES 32	7.5	x	x	x			x	x			
ES 32/2/K	8	x	x	x		x	x	x	x	x	
ES 32/K/ST	9.5	x	x	x		x	x	x	x	x	
SES 35	8	x	x	x		x	x	x	x	x	
SHES 35	13.4	x	x	x		x	x	x	x	x	
SH/SAB	9.5	x	x	x		x	x	x	x	x	
ZEH 1	11.1	x	x				x	x			
ZES 15	5	x	x				x	x			
ZES 35	6	x	x	x							
ZES35/2	5	x	x				x	x			
Marker holder	Width, mm	SB 4	SB 5	SB 6	SB 7.5	SB 8	BSTR 5	BSTR 5 MI	BSTR 6	BSTR 8	BSTR 10
SchT 4/8	5	x	x				x	x			
SchT 6/12	5	x	x				x	x			
SchT 12	6	x	x	x			x	x	x		
SchT 11	5	x	x				x	x			
ZBA 1	5	x	x				x	x			
ZBA 2	5	x	x					x			
ZBA 2/Z	5	x	x					x			
ZBA 2/Z/H	5	x	x					x			
ZBA 3	5	x	x				x	x			




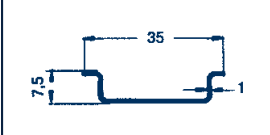
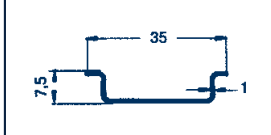
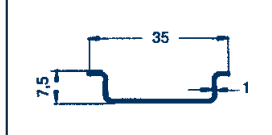



Marker holders for end stops





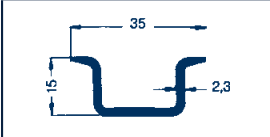
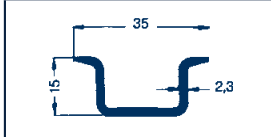
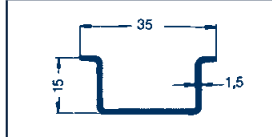
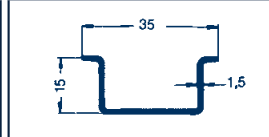




End stop	Marker holder											
	ZSchT 1	ZSchT 2	ZSchT 2	ZSchT 4	ZSchT 5	ZSchT 6	SchT 4/8 SchT 6/12	SchT 7 long SchT 7 short	SchT 2	SchT 9	SchT 10	SchT 11
ES 15	x	x					x	x				
ES 32/35 Combi	x	x					x	x				
ES 35	x	x					x	x				
ES 35/2/K	x	x	x	x	x	x	x	x	x	x		x
ES 35/K/ST	x	x	x	x	x	x	x	x	x	x	x	x
ES 32	x	x					x	x				
ES 32/2/K	x	x	x	x	x	x	x	x	x	x		x
ES 32/K/ST	x	x	x	x	x	x	x	x	x	x	x	x
SES 35	x	x	x	x	x	x	x	x	x	x	x	x
ZES 15	x	x					x	x				
ZES 35	x	x	x	x	x	x	x	x	x			

DIN rails TS




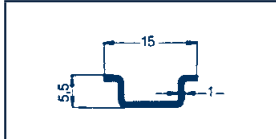
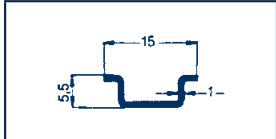
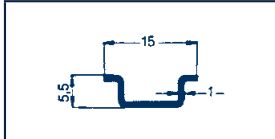



DIN rails TS 32 / TS 35		TS 35		TS 35		TS 35																																																	
<p>The design of the TS DIN rail complies with the European norm DIN EN 60715. The steel DIN rails are galvanized and have a coating of blue chromate that is at least 10 µm thick. We place extra importance on maintaining a high degree of dimensional accuracy. The steel DIN rails can be used as protective-earth busbars (with PE function) in compliance with DIN VDE 0611 part 3. Please note the following when using the rail as a PEN busbar:</p> <ul style="list-style-type: none"> • Only one E-Cu rail should be used. • The short-circuit currents and the rated thermal currents must be observed. <p>The DIN rails are delivered in standard lengths of 2 meters. All DIN rails are also available in prepared (cut to length) versions, but all types are available pre-cut to customers requirements.</p>		  		  		  																																																	
								<table border="1"> <tr> <td>Type / colour</td> <td>TS 35 x 7.5</td> <td></td> <td>TS 35 x 7.5</td> <td></td> <td>TS 35 x 7.5</td> <td></td> </tr> <tr> <td><i>Cat. no.</i></td> <td>2026.0</td> <td>2 m</td> <td>2094.0</td> <td>2 m</td> <td>2704.0</td> <td>2 m</td> </tr> <tr> <td>Features</td> <td colspan="6"></td> </tr> <tr> <td>Material</td> <td>Steel</td> <td></td> <td>Steel</td> <td></td> <td>Steel</td> <td></td> </tr> <tr> <td>Processing</td> <td>Solid</td> <td></td> <td>Slotted: 5.2 mm x 18 mm</td> <td></td> <td>Slotted: 6.2 mm x 18 mm</td> <td></td> </tr> <tr> <td>Coating</td> <td>Galvanized, thick-film passivated</td> <td></td> <td>Galvanized, thick-film passivated</td> <td></td> <td>Galvanized, thick-film passivated</td> <td></td> </tr> </table>		Type / colour	TS 35 x 7.5		TS 35 x 7.5		TS 35 x 7.5		<i>Cat. no.</i>	2026.0	2 m	2094.0	2 m	2704.0	2 m	Features							Material	Steel		Steel		Steel		Processing	Solid		Slotted: 5.2 mm x 18 mm		Slotted: 6.2 mm x 18 mm		Coating	Galvanized, thick-film passivated		Galvanized, thick-film passivated		Galvanized, thick-film passivated					
								Type / colour	TS 35 x 7.5		TS 35 x 7.5		TS 35 x 7.5																																										
<i>Cat. no.</i>	2026.0	2 m	2094.0	2 m	2704.0	2 m																																																	
Features																																																							
Material	Steel		Steel		Steel																																																		
Processing	Solid		Slotted: 5.2 mm x 18 mm		Slotted: 6.2 mm x 18 mm																																																		
Coating	Galvanized, thick-film passivated		Galvanized, thick-film passivated		Galvanized, thick-film passivated																																																		
<table border="1"> <tr> <td>Accessories</td> <td colspan="6"></td> </tr> <tr> <td><i>Cat. no.</i></td> <td colspan="6"><i>Qty.</i></td> </tr> </table>		Accessories							<i>Cat. no.</i>	<i>Qty.</i>																																													
Accessories																																																							
<i>Cat. no.</i>	<i>Qty.</i>																																																						




DIN rails TS 35		TS 35		TS 35		TS 35																																																	
		  		  		  																																																	
								<table border="1"> <tr> <td>Type / colour</td> <td>TS 35 x 15</td> <td></td> <td>TS 35 x 15</td> <td></td> <td>TS 35 x 15</td> <td></td> </tr> <tr> <td><i>Cat. no.</i></td> <td>2027.0</td> <td>2 m</td> <td>2095.0</td> <td>2 m</td> <td>4566.0</td> <td>2 m</td> </tr> <tr> <td>Features</td> <td colspan="6"></td> </tr> <tr> <td>Material</td> <td>Steel</td> <td></td> <td>Steel</td> <td></td> <td>Steel</td> <td></td> </tr> <tr> <td>Processing</td> <td>Solid</td> <td></td> <td>Slotted: 5.2 mm x 18 mm</td> <td></td> <td>Slotted: 6.2 mm x 18 mm</td> <td></td> </tr> <tr> <td>Coating</td> <td>Galvanized, thick-film passivated</td> <td></td> <td>Galvanized, thick-film passivated</td> <td></td> <td>Galvanized, thick-film passivated</td> <td></td> </tr> </table>		Type / colour	TS 35 x 15		TS 35 x 15		TS 35 x 15		<i>Cat. no.</i>	2027.0	2 m	2095.0	2 m	4566.0	2 m	Features							Material	Steel		Steel		Steel		Processing	Solid		Slotted: 5.2 mm x 18 mm		Slotted: 6.2 mm x 18 mm		Coating	Galvanized, thick-film passivated		Galvanized, thick-film passivated		Galvanized, thick-film passivated					
								Type / colour	TS 35 x 15		TS 35 x 15		TS 35 x 15																																										
<i>Cat. no.</i>	2027.0	2 m	2095.0	2 m	4566.0	2 m																																																	
Features																																																							
Material	Steel		Steel		Steel																																																		
Processing	Solid		Slotted: 5.2 mm x 18 mm		Slotted: 6.2 mm x 18 mm																																																		
Coating	Galvanized, thick-film passivated		Galvanized, thick-film passivated		Galvanized, thick-film passivated																																																		
<table border="1"> <tr> <td>Accessories</td> <td colspan="6"></td> </tr> <tr> <td><i>Cat. no.</i></td> <td colspan="6"><i>Qty.</i></td> </tr> </table>		Accessories							<i>Cat. no.</i>	<i>Qty.</i>																																													
Accessories																																																							
<i>Cat. no.</i>	<i>Qty.</i>																																																						



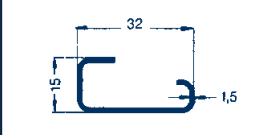
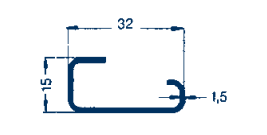

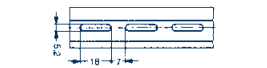
TS 35	TS 35	TS 35
		
		
		
TS 35 x 7.5 ALU 2710.0 2 m	TS 35 x 15 galvanized 4562.0 2 m	TS 35 x 1.5 galvanized 4563.0 2 m
Aluminium Solid	Steel Solid galvanized	Steel Slotted: 5.2 mm x 18 mm galvanized




TS 35	TS 35	TS 35	TS 35
			
			
			
TS 35 x 15/2.3 2038.0 2 m	TS 35 x 15/2.3 2039.0 2 m	TS 35 x 15 galvanized 4561.0 2 m	TS 35 x 15 galvanized 4564.0 2 m
Steel Solid Galvanized, thick-film passivated	Steel Slotted: 5.2 mm x 18 mm Galvanized, thick-film passivated	Galvanized steel Solid galvanized	Steel Slotted: 5.2 mm x 18 mm galvanized

DIN rails TS | DIN rail brackets TSTW/TST




DIN rails TS 15		TS 15	TS 15	TS 15
<p>The design of the TS DIN rail complies with the European norm DIN EN 60715. The steel DIN rails are galvanized and have a coating of blue chromate that is at least 10 µm thick. We place extra importance on maintaining a high degree of dimensional accuracy. The steel DIN rails can be used as protective-earth busbars (with PE function) in compliance with DIN VDE 0611 part 3. Please note the following when using the rail as a PEN busbar:</p> <ul style="list-style-type: none"> • Only one E-Cu rail should be used. • The short-circuit currents and the rated thermal currents must be observed. <p>The DIN rails are delivered in standard lengths of 2 meters. All DIN rails are also available in prepared (cut to length) versions, but all types are available pre-cut to customers requirements.</p>				
				
				
Type / colour		TS 15 unslotted	TS 15 slotted	TS 15 ALU unslotted
<i>Cat. no.</i>	Qty.	2091.0	2092.0	2711.0
Features				
Material		Steel	Steel	Aluminium
Processing		Solid	Slotted: 4.2 mm x 12 mm	Solid
Coating		Galvanized, thick-film passivated	Galvanized, thick-film passivated	
Accessories				
<i>Cat. no.</i>	Qty.			


DIN rail brackets TSTW/TST		TSTW/M6	TSTW/M5	TSTW/F/M6
				
		DIN rail bracket M6	DIN rail bracket M5	DIN rail bracket M6
Type / colour		TSTW/M6	TSTW/M5	TSTW/F/M6
<i>Cat. no.</i>	Qty.	2303.0	2414.0	2563.0
Features				
Material		Steel	Steel	Steel
Drill hole		M 6	M 5	M 6
Height, mm		48 mm	48 mm	32 mm
Coating		Galvanized, thick-film passivated	Galvanized, thick-film passivated	Galvanized, thick-film passivated
Accessories				
Screw		BS M 6 x 12/15	BS M 5 x 8/15	BS M 6 x 12/15
<i>Cat. no.</i>	Qty.	2304.0	2415.0	2304.0






TS 32		TS 32	
			
			
			
TS 32 2025.0	2 m	TS 32 2093.0	2 m
Steel		Steel	
Solid		Slotted: 5.2 mm x 18 mm	
Galvanized, thick-film passivated		Galvanized, thick-film passivated	

TSTW/F/M5		TST/M6		TST/M5	
					
DIN rail bracket M5		DIN rail bracket M6		DIN rail bracket M5	
TSTW/F/M5 4566.0	10	TST/M6 2737.0	10	TST/M5 2736.0	10
Steel		Steel		Steel	
M 5		M 6		M 5	
32 mm		20 mm		20 mm	
Galvanized, thick-film passivated		Galvanized, thick-film passivated		Galvanized, thick-film passivated	
BS M 5 x 8/15 2415.0	50	BS M 6 x 12/15 2304.0	50	BS M 5 x 8/15 2415.0	50

End stops | End supports




End stops TS 35		ES 35	ES 35/2/K	ES 35/K/ST
End stops are necessary for preventing movement of components along the rail. They are put in at the beginning and at the end of the rail assembly. Depending on the DIN rail, they differ in the dimensions of the mounting foot and their screw-on or snap-on design.				
		Screw end stop	Screw end stop	Screw end stop
Size (L x W x H), mm, mm		46 mm x 7.5 mm x 32 mm	50 mm x 8 mm x 47 mm	50 mm x 9.5 mm x 44 mm
Type / colour		ES 35 BG	ES 35/2/K BG	ES 35/K/ST BG
Cat. no.	Qty.	2005.2	2826.2	2828.0
		50	50	50
Type / colour				
Cat. no.	Qty.			
Features				
Material		PA 6.6 V-2	PA 6.6 V-2	PA 6.6 V-2
DIN rail		TS 35	TS 35	TS 35
Terminal width, mm		7.5 mm	8 mm	9.5 mm

End stops TS 32		ES 32	ES 32/2/K	ES 32/2K/ST
				
		Screw end stop	Screw end stop	Screw end stop
Size (L x W x H), mm, mm		27 mm x 7.5 mm x 44 mm	48 mm x 8 mm x 49 mm	50 mm x 9.5 mm x 44 mm
Type / colour		ES 32 BG	ES 32/2/K BG	ES 32/K/ST BG
Cat. no.	Qty.	2004.2	2825.2	2827.0
		50	50	50
Features				
Material		PA 6.6 V-2	PA 6.6 V-2	PA 6.6 V-2
DIN rail		TS 35	TS 35	TS 35
Terminal width, mm		7.5 mm	8 mm	9.5 mm




HES 35 ST	SHES 35	ZES 35	ZES 35/2	SES 35
				
Screw end stop	Screw end stop	No-screw end stop	No-screw end stop	No-screw end stop
49 mm x 11 mm x 69 mm HES 35/ST BG 2761.0 50	66 mm x 13.4 mm x 60.5 mm SHES 35 BG 17259.2 20	59 mm x 6 mm x 39 mm ZES 35 BG 3748.2 50	49 mm x 5 mm x 34 mm ZES 35/2 BG 3811.2 50	48 mm x 8 mm x 47.1 mm SES 35 BG ● 17250.2 50 SES 35 BK ● 17250.4 50
Steel TS 35 11 mm	Steel PA 6.6 V-2 TS 35 13.4 mm	PA 6.6 V-2 TS 35 6 mm	PA 6.6 V-2 TS 35 5 mm	PA 6.6 V-2 TS 35 8 mm

ES 32/35	End stops TS 15	ES 15	ZES 15	
				
Screw end stop		Screw end stop	No-screw end stop	
52 mm x 9.5 mm x 47 mm ES 32/35 BG 1424.2 50	Size (L x W x H), mm, mm Type / colour Cat. no. Qty. Features	26 mm x 7.5 mm x 22 mm ES 15 BG 2074.2 50	27 mm x 5 mm x 24 mm ZES 15 BG 3812.2 50	
PA 6.6 V-2 TS 35 / TS 32 9.5 mm	Material DIN rail Terminal width, mm	PA 6.6 V-2 TS 15 7.5	PA 6.6 V-2 TS 15 5 mm	

Marker holders for terminal blocks and end stops

Marker holders for terminal blocks and end stops		SchT 4/8 - SchT 6/12	SchT 7	ZSchT 1
<p>These marker holders provide a solution for marking a group of terminals or devices on the DIN rail. The marker holders are available for attaching to terminal blocks and end stops. The GT1 and GT2 group marker holders can be attached directly to the DIN rail. Depending on the type, they can be marked with SB and AS terminal markers. Custom marking is possible using the BS-1 pen or EMS-2 plotter.</p> <p>Material: polyamide 6.6 V-2, halogen-free</p>				
				
		Hinged marker holder for terminal blocks and end stops	Hinged marker holder for terminal blocks and end stops	Hinged marker holder for terminal blocks and end stops
Size (L x W x H), mm, mm		5 mm	8.5 mm	8.5 mm
Type / colour		SchT 4/8 ^{*1} ●	SchT 7, short joint ●	ZSchT 1
<i>Cat. no.</i>	<i>Qty.</i>	2528.0 100	2504.0 100	3773.0 100
Type / colour		SchT 6/12 ^{*2} ●	SchT 7, long joint ●	
<i>Cat. no.</i>	<i>Qty.</i>	2529.0 100	2361.0 100	
Features				
Material		PA 6.6, halogen-free	PA 6.6, halogen-free	PA 6.6, halogen-free
Temperature range		-40 °C to +105 °C	-40 °C to +105 °C	-40 °C to +105 °C
Flamm. class acc. to UL 94		V-2	V-2	V-2
Application				
Terminal blocks		≥ 5 mm	≥ 5 mm	≥ 5 mm
End stop		All types	All types	All types
Accessories				
Terminal marker PMC		PMC SB 5/50 WH		
<i>Cat. no.</i>	<i>Qty.</i>	4600.7 500		
Terminal marker MC		MC SB 5/200		
<i>Cat. no.</i>	<i>Qty.</i>	3300.7 1000		
Terminal marker AS3		AS 3/10 WH		
<i>Cat. no.</i>	<i>Qty.</i>	2571.0 500		
Insert marker			ESO	ESO
<i>Cat. no.</i>	<i>Qty.</i>		2584.0 1 sheet of 120 pcs.	2584.0 1 sheet of 120 pcs.
Adhesive device labels GKE			GKE 30/6 WH	GKE 30/6 WH
<i>Cat. no.</i>	<i>Qty.</i>		3917.7 1 sheet of 10,000 pcs.	3917.7 1 sheet of 10,000 pcs.
Protective strips			STR 1	STR 1
<i>Cat. no.</i>	<i>Qty.</i>		2506.0 100	2506.0 100
Shield cap SK				
<i>Cat. no.</i>	<i>Qty.</i>			

*1 4 x SB or 8 x AS markers
 *2 6 x SB or 12 x AS markers

Marker holders for terminal blocks and end stops		SchT 9	SchT 10	ZSchT 3
				
		Marker holders for end stops	Marker holders for end stops	Hinged marker holders for end stops
Size (L x W x H), mm, mm		8 mm	9.5 mm	8.5 mm
Type / colour		SchT 9 ●	SchT 10 ●	ZSchT 3 ●
<i>Cat. no.</i>	<i>Qty.</i>	3749.0 100	3809.0 100	3775.0 100
Features				
Material		PA 6.6, halogen-free	PA 6.6, halogen-free	PA 6.6, halogen-free
Temperature range		-40 °C to +105 °C	-40 °C to +105 °C	-40 °C to +105 °C
Flamm. class acc. to UL 94		V-2	V-2	V-2
Application				
Terminal blocks				
End stop		ES../2/K ES../K/ST	ES../K/ST	ES/.. ZES 35
Printed				
Plotter		EMS-2	EMS-2	
Plotter inlay		CCI-11	CCI-11	
Labelling pen		BS-1	BS-1	
Accessories				
Insert marker				ESO
<i>Cat. no.</i>	<i>Qty.</i>			2584.0 1 sheet of 120 pcs.
Adhesive device labels GKE				GKE 30/6 WH
<i>Cat. no.</i>	<i>Qty.</i>			3917.7 1 sheet of 10,000 pcs.
Protective strips				STR 1
<i>Cat. no.</i>	<i>Qty.</i>			2506.0 100

ZSchT 2	SchT 12	SchT 2	SchT 11
			
Hinged marker holder for terminal block and end stop	Label holder for terminal blocks	Label holder for terminal blocks	Label holder for terminal blocks
8.5 mm ZSchT 2 ● 3774.0 100	6 mm SchT 12 *1 ● 2531.0 100	9.5 mm SchT 2 ● 2888.0 100	5 mm SchT 11 *1 ● 2530.0 100
PA 6.6, halogen-free -40°C to +105°C V-2	PA 6.6, halogen-free -40°C to +105°C V-2	PA 6.6, halogen-free -40°C to +105°C V-2	PA 6.6, halogen-free -40°C to +105°C V-2
≥ 5 mm All types	RK2.5-4 RK6-10	ES../2/K ES../K/S	ES../2/K ES../K/ST ZES35/2
	PMC SB 5/50 WH 4600.7 500 MC SB 5/200 3300.7 1000 AS 3/10 WH 2571.0 500		PMC SB 5/50 WH 4600.7 500 MC SB 5/200 3300.7 1000 AS 3/10 WH 2571.0 500
ESO 2584.0 1 sheet of 120 pcs. GKE 30/6 WH 3917.7 1 sheet of 10,000 pcs. STR 1 2506.0 100		ESO 2 2877.0 1 sheet of 120 pcs. GKE 30/6 WH 3917.7 1 sheet of 10,000 pcs.	
		STR 2 2878.0 100	

ZSchT 4	ZSchT 5	ZSchT 6	GT 1	GT 2
				
Hinged marker holders for end stops	Hinged marker holders for end stops	Marker holder for end stops	Group label holder for DIN rail TS35/32	Group label holder for DIN rail TS35/32
8.5 mm ZSchT 4 ● 3776.0 100	6 mm ZSchT 5 ● 3777.0 100	6 mm ZSchT 6 ● 3807.0 100	9.5 mm GT 1 3783.2 20	19.5 mm GT 2 ● 3784.2 20
PA 6.6, halogen-free -40°C to +105°C V-2	PA 6.6, halogen-free -40°C to +105°C V-2	PA 6.6, halogen-free -40°C to +105°C V-2	PA 6.6, halogen-free -40°C to +105°C V-2	PA 6.6, halogen-free -40°C to +105°C V-2
ES/.. ZES 35	ES../2/K ES../K/ST ZES 35	ES../2/K ES../K/ST ZES 35		
		EMS-2 CCI-11 BS-1		
ESO 2584.0 1 sheet of 120 pcs. GKE 30/6 WH 3917.7 1 sheet of 10,000 pcs. STR 1 2506.0 100	ESO 3 2585.0 1 sheet of 124 pcs. STR 3 2579.0 100		ESO GT 1 2580.0 1 sheet of 140 pcs. GKE 30/6 WH 3917.7 1 sheet of 10,000 pcs. STR GT 1 2582.0 20	ESO GT 2 25801.0 1 sheet of 60 pcs. GKE 30/6 WH 3917.7 1 sheet of 10,000 pcs. STR GT 2 2583.0 20

Partitions TWMF / TW | Cover profile AD

Cover profile AD combined with partition plates TWMF

Many safety requirements (for example, the "Electrical facilities and operating devices" accident prevention regulations (DGUV 3), or VDE 0106 part 100/3.83) require that the active components of equipment are protected against direct touch. For terminals using cross-connectors or test sockets, this protection must be provided using additional covers. Cover profiles with assigned support plates are used for this purpose.

They can be used with the main terminal sizes. The support plates can be positioned at the end or between groups of terminals. They can be attached to **TS 32** or **TS 35** DIN rails.

Partition with foot TWMF							
Cat. no.	Type	Colour	Qty.	Width	Material	Length	Height, including TS 35 x 7.5 mm
2957.2	TWMF BG	Beige	20	2 mm	PA 6.6 V-2	88 mm	70 mm
2957.5	TWMF BU	Blue	20	2 mm	PA 6.6 V-2	88 mm	70 mm
2957.3	TWMF OG	Orange	20	2 mm	PA 6.6 V-2	88 mm	70 mm



AD cover profile							
Cat. no.	Type	Colour	Qty.	Width	Material	Length	Height, including TS 35 x 7.5 mm
2958.2	AD 3/1000 mm	Transparent	1	1 m	Polycarbonate	90 mm	70 mm



Terminal block enclosure RK-Safe-Box

CONTA-CLIP's innovative **RK-Safe-Box** terminal block enclosure is a quick, simple way to protect the terminal blocks that you've installed on DIN rails (such as converter circuits) from being tampered with.



Especially when used in front of the electrical meter for power distribution applications, the **RK-Safe-Box** is very effective at preventing unauthorized re-wiring or access to converter terminals

The side walls border the mounting plate directly. They thus completely surround the protected components. Feed-through guides lead wires through the walls of the **RK-Safe-Box**. This simplifies wiring and makes it impossible to manipulate the terminals after the **RK-Safe-Box** is closed.

When the transparent lid is removed, the integrated slide mechanism permits you to extend the interior of the **RK-Safe-Box** by 16 mm. This makes it easy to perform maintenance and to replace terminals or components.



Features

- Easy and fast mounting to the TS 35 DIN rail
- Optimal mechanical attachment to the DIN rail
- Cannot be unlocked or snapped out of the DIN rail after it is mounted
- Triple seal option
- Transparent lid
- Tampering is immediately recognizable
- Slide mechanism on the two enclosure halves provides improved access for internal component maintenance.

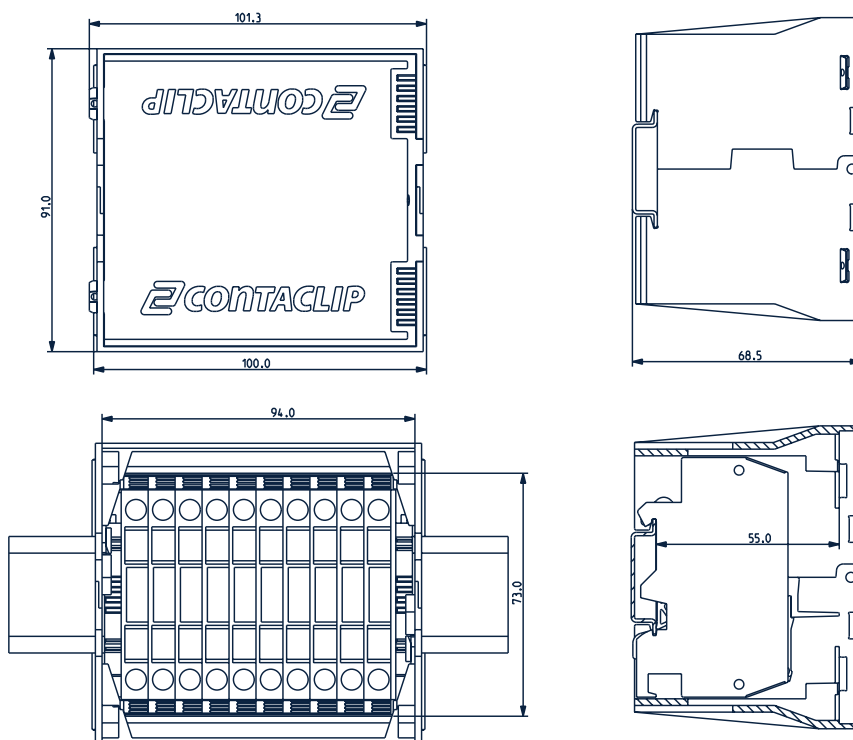
Terminal block enclosure

- Mounts on TS 35 rail
- Housing made of polyamide 6.6 UL 94 V-0
- Material lid: polycarbonate UL 94 V-2
- 3-way sealing options
- Slide mechanism for maintenance

RK-Safe-Box TS 35/100



Type / colour	RK-Safe-Box TS 35/100 BK ●	
Cat. no.	17690.4	1
Size (L x W x H), mm, mm		
Outer size (L x W x H) with TS35 x 7.5 mm	91 mm x 101.3 mm x 68.5 mm	
Outer size (L x W x H) with TS35 x 15 mm	91 mm x 101.3 mm x 76 mm	
Max. installation size (L x W x H) with TS35	73 mm x 94 mm x 55 mm	
Weight	77 g	
Features	Housing	Cover
Material	Polyamide 6.6	Polycarbonate
Temperature range	V-0	V-2
Flamm. class acc. to UL 94	-40 °C to +120 °C	-40 °C to +120 °C
Colour	Black	Transparent
General		
Protection	IP 20	
Rail assembly	TS 35	
Sealing options	3	
Accessories		
End stop ES	ES 35/K/ST BG	
Cat. no.	2828.0	50
ZES end support for Box, interior mount	ZES 35/2 BG	
Cat. no.	3811.2	50
Quick marking PMC BSTR	PMC BSTR 6/30 WH	
Cat. no.	9106.7	300
Dimensional drawings		



Screwdrivers

Screwdrivers		SDI	SDB	SDIK	SDK
					
		Screwdriver with insulated bit	Screwdriver	Screwdriver with insulated bit	Screwdriver
Type / colour		SDI 0.4 x 2.5	SDB 0.4 x 2.0	SDIK 1.0 x 80	SDK 1,0 x 80
<i>Cat. no.</i>	Qty.	1081.0	3164.0	2278.0	2289.0
		1	1	1	1
Features					
Total length / Blade length, mm		160/75	150/75	165/80	170/80
Weight, g		29	26	58	58
Type / colour		SDI 0.6 x 3.5	SDB 0.4 x 2.5	SDIK 2.0 x 100	SDK 2,0 x 100
<i>Cat. no.</i>	Qty.	1082.0	3169.0	2279.0	2290.0
		1	1	1	1
Features					
Total length / Blade length, mm		185/100	150/75	205/100	205/100
Weight, g		42	26	79	93
Type / colour		SDI 1.0 x 5.5	SDB 0.5 x 3.0		
<i>Cat. no.</i>	Qty.	1083.0	1085.0		
		1	1		
Features					
Total length / Blade length, mm		230/125	160/75		
Weight, g		79	30		
Type / colour		SDI 1.2 x 6.5	SDB 0.6 x 3.5		
<i>Cat. no.</i>	Qty.	1084.0	1086.0		
		1	1		
Features					
Total length / Blade length, mm		250/150	185/100		
Weight, g		100	34		
Type / colour			SDB 0.8 x 4.0		
<i>Cat. no.</i>	Qty.		1087.0		
			1		
Features					
Total length / Blade length, mm			220/125		
Weight, g			52		
Type / colour			SDB 1.2 x 6.5		
<i>Cat. no.</i>	Qty.		1088.0		
			1		
Features					
Total length / Blade length, mm			250/150		
Weight, g			104		
Description					
		Screwdriver with insulated bit shaft (according to VDE 0680 part 2)	With bare bit	Screwdriver with insulated bit shaft (according to DIN 7438/VDE 0680/2)	With bare bit

Screwdrivers **ISKS**



Allen key socket wrench

Type / colour	ISKS 5	
<i>Cat. no.</i>	<i>Qty.</i>	<i>2818.0 1</i>
Features		
Total length / Blade length, mm	130/100	
Weight, g	57	
Type / colour	ISKS 6	
<i>Cat. no.</i>	<i>Qty.</i>	<i>2772.0 1</i>
Features		
Total length / Blade length, mm	130/100	
Weight, g	66	
Type / colour	ISKS 8	
<i>Cat. no.</i>	<i>Qty.</i>	<i>2773.0 1</i>
Features		
Total length / Blade length, mm	130/100	
Weight, g	90	
Description	With bare bit	

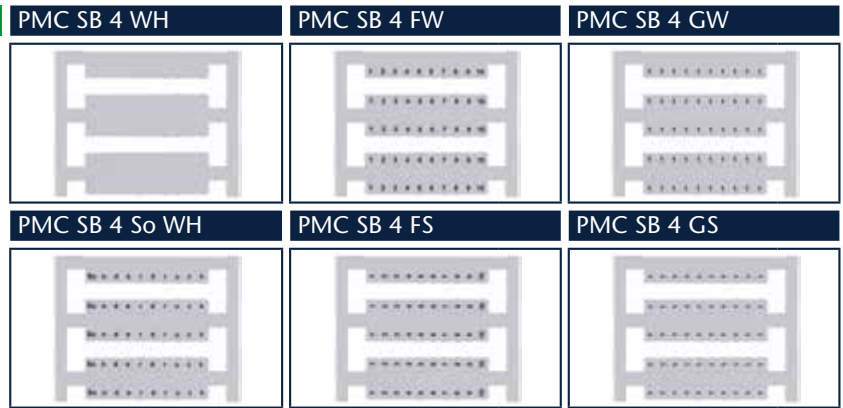
Terminal markers | Pocket-Maxicard PMC SB

Pocket-Maxicard PMC SB 4

The **PMC SB 4** Pocket-Maxi-Card is suitable for labelling all CONTA-CLIP terminal blocks that are wider than 4 mm.

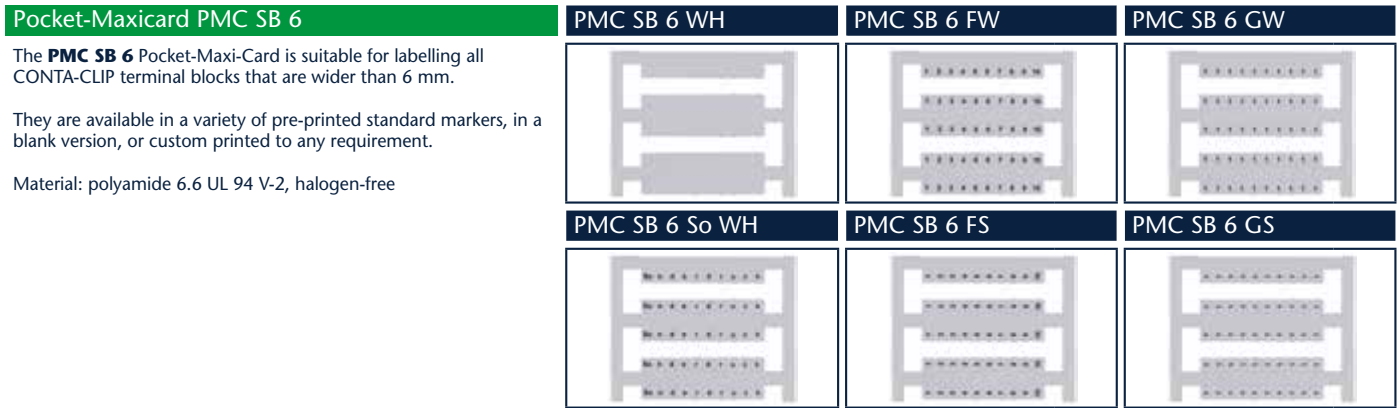
They are available in a variety of pre-printed standard markers, in a blank version, or custom printed to any requirement.

Material: polyamide 6.6 UL 94 V-2, halogen-free



	PMC SB 4/50 WH	PMC SB 4/...WH Pre-printed as shown	Cat. no.	PMC SB 4/...WH Pre-printed as shown	Cat. no.
Type / colour	PMC SB 4/50 WH	PMC SB 4/50 FW 1-10	4822.7	PMC SB 4/50 FS 401-450	4877.7
Cat. no.	4820.7	PMC SB 4/50 FW 11-20	4823.7	PMC SB 4/50 FS 451-500	4878.7
Type / Colour	PMC SB 4/50 So WH	PMC SB 4/50 FW 21-30	4824.7	PMC SB 4/50 FS 501-550	4879.7
Qty.	500	PMC SB 4/50 FW 31-40	4825.7	PMC SB 4/50 FS 551-600	4880.7
Dimensions		PMC SB 4/50 FW 41-50	4826.7	PMC SB 4/50 FS 601-650	4881.7
Length x width (mm)	5 x 4	PMC SB 4/50 FW 51-60	4827.7	PMC SB 4/50 FS 651-700	4882.7
Number of markers per row	10	PMC SB 4/50 FW 61-70	4828.7	PMC SB 4/50 FS 701-750	4883.7
Number of markers per card	50	PMC SB 4/50 FW 71-80	4829.7	PMC SB 4/50 FS 751-800	4884.7
Material		PMC SB 4/50 FW 81-90	4830.7	PMC SB 4/50 FS 801-850	4885.7
Material	PA 6.6, halogen-free	PMC SB 4/50 FW 91-100	4831.7	PMC SB 4/50 FS 851-900	4886.7
Temperature range	-40 °C to +105 °C	PMC SB 4/50 FW 1-50	4832.7	PMC SB 4/50 FS	4887.7
Flamm. class acc. to UL 94	V-2	PMC SB 4/50 FW 51-100	4833.7	L1 L2,L3,N,PE	
Printed		PMC SB 4/50 FW 101-150	4834.7	PMC SB 4/50 FS	4888.7
Printing process	Thermal transfer	PMC SB 4/50 FW 151-200	4835.7	U1,V1,W1,N,PE	
Labelling pen	BS-1	PMC SB 4/50 FW 201-250	4836.7	PMC SB 4/50 FS U1,V1,W1	4889.7
Number of characters / rows when using font size 1.6 and plotter pen 0.25: horizontal	2 / 2	PMC SB 4/50 FW 251-300	4837.7	PMC SB 4/50 FS	4890.7
Number of characters / rows when using font size 1.6 and plotter pen 0.25: vertical	3 / 1	PMC SB 4/50 FW 301-350	4838.7	U2,V-2,W2,N,PE	
Application		PMC SB 4/50 FW 351-400	4839.7	PMC SB 4/50 FS U2,V-2,W2	4891.7
Terminal width, mm	≥ 4.1	PMC SB 4/50 FW 401-450	4840.7	PMC SB 4/50 FS X1-X10	4892.7
		PMC SB 4/50 FW 451-500	4841.7	PMC SB 4/50 FS 1,3, 5-19	4893.7
		PMC SB 4/50 FW 501-550	4842.7	PMC SB 4/50 FS 2,4,6-20	4894.7
		PMC SB 4/50 FW 551-600	4843.7		
		PMC SB 4/50 FW 601-650	4844.7	PMC SB 4/50 GW 1	4895.7
		PMC SB 4/50 FW 651-700	4845.7	PMC SB 4/50 GW 2	4896.7
		PMC SB 4/50 FW 701-750	4846.7	PMC SB 4/50 GW 3	4897.7
		PMC SB 4/50 FW 751-800	4847.7	PMC SB 4/50 GW 4	4898.7
		PMC SB 4/50 FW 801-850	4848.7	PMC SB 4/50 GW 5	4899.7
		PMC SB 4/50 FW 851-900	4849.7	PMC SB 4/50 GW 6	4916.7
		PMC SB 4/50 FW 901-950	4850.7	PMC SB 4/50 GW 7	4917.7
		PMC SB 4/50 FW	4851.7	PMC SB 4/50 GW 8	4918.7
		L1,L2,L3,N,PE		PMC SB 4/50 GW 9	4919.7
		PMC SB 4/50 FW	4852.7	PMC SB 4/50 GW 0	4920.7
		U1,V1,W1,N,PE		PMC SB 4/50 GW X	4921.7
		PMC SB 4/50 FW U1,V1,W1	4853.7	PMC SB 4/50 GW PE	4922.7
		PMC SB 4/50 FW	4854.7	PMC SB 4/50 GW L1	4923.7
		U2,V-2,W2,N,PE		PMC SB 4/50 GW L2	4924.7
		PMC SB 4/50 FW U2,V-	4855.7	PMC SB 4/50 GW L3	4925.7
		2,W2		PMC SB 4/50 GW N	4926.7
		PMC SB 4/50 FW X1-X10	4856.7	PMC SB 4/50 GW +	4927.7
		PMC SB 4/50 FW 1,3, 5-19	4857.7	PMC SB 4/50 GW -	4928.7
		PMC SB 4/50 FW 2,4,6-20	4858.7		
				PMC SB 4/50 FS 1-10	4859.7
				PMC SB 4/50 FS 11-20	4860.7
				PMC SB 4/50 FS 21-30	4861.7
				PMC SB 4/50 FS 31-40	4862.7
				PMC SB 4/50 FS 41-50	4863.7
				PMC SB 4/50 FS 51-60	4864.7
				PMC SB 4/50 FS 61-70	4865.7
				PMC SB 4/50 FS 71-80	4866.7
				PMC SB 4/50 FS 81-90	4867.7
				PMC SB 4/50 FS 91-100	4868.7
				PMC SB 4/50 FS 1-50	4869.7
				PMC SB 4/50 FS 51-100	4870.7
				PMC SB 4/50 FS 101-150	4871.7
				PMC SB 4/50 FS 151-200	4872.7
				PMC SB 4/50 FS 201-250	4873.7
				PMC SB 4/50 FS 251-300	4874.7
				PMC SB 4/50 FS 301-350	4875.7
				PMC SB 4/50 FS 351-400	4876.7

Terminal markers – Pocket-Maxicard PMC SB



Pocket-Maxicard PMC SB 6

The **PMC SB 6** Pocket-Maxi-Card is suitable for labelling all CONTA-CLIP terminal blocks that are wider than 6 mm.

They are available in a variety of pre-printed standard markers, in a blank version, or custom printed to any requirement.

Material: polyamide 6.6 UL 94 V-2, halogen-free

		PMC SB 6 WH	PMC SB 6 FW	PMC SB 6 GW
		PMC SB 6 So WH	PMC SB 6 FS	PMC SB 6 GS
			PMC SB 6/...WH Pre-printed as shown	Cat. no.
			PMC SB 6/50 FW 1-10	4703.7
			PMC SB 6/50 FW 11-20	4704.7
			PMC SB 6/50 FW 21-30	4705.7
			PMC SB 6/50 FW 31-40	4706.7
			PMC SB 6/50 FW 41-50	4707.7
			PMC SB 6/50 FW 51-60	4708.7
			PMC SB 6/50 FW 61-70	4709.7
			PMC SB 6/50 FW 71-80	4710.7
			PMC SB 6/50 FW 81-90	4711.7
			PMC SB 6/50 FW 91-100	4712.7
			PMC SB 6/50 FW 101-110	4712.7
			PMC SB 6/50 FW 111-120	4713.7
			PMC SB 6/50 FW 121-130	4714.7
			PMC SB 6/50 FW 131-140	4715.7
			PMC SB 6/50 FW 141-150	4716.7
			PMC SB 6/50 FW 151-160	4717.7
			PMC SB 6/50 FW 161-170	4718.7
			PMC SB 6/50 FW 171-180	4719.7
			PMC SB 6/50 FW 181-190	4720.7
			PMC SB 6/50 FW 191-200	4721.7
			PMC SB 6/50 FW 201-210	4722.7
			PMC SB 6/50 FW 211-220	4723.7
			PMC SB 6/50 FW 221-230	4724.7
			PMC SB 6/50 FW 231-240	4725.7
			PMC SB 6/50 FW 241-250	4726.7
			PMC SB 6/50 FW 251-260	4727.7
			PMC SB 6/50 FW 261-270	4728.7
			PMC SB 6/50 FW 271-280	4729.7
			PMC SB 6/50 FW 281-290	4730.7
			PMC SB 6/50 FW 291-300	4731.7
			PMC SB 6/50 FW 311-320	4732.7
			PMC SB 6/50 FW 331-340	4733.7
			PMC SB 6/50 FW 341-350	4734.7
			PMC SB 6/50 FW 361-370	4735.7
			PMC SB 6/50 FW 371-380	4736.7
			PMC SB 6/50 FW 381-390	4737.7
			PMC SB 6/50 FW 391-400	4738.7
			PMC SB 6/50 FW 401-410	4739.7
			PMC SB 6/50 FW 411-420	4740.7
			PMC SB 6/50 FW 421-430	4741.7
			PMC SB 6/50 FW 431-440	4742.7
			PMC SB 6/50 FW 441-450	4743.7
			PMC SB 6/50 FW 451-460	4744.7
			PMC SB 6/50 FW 461-470	4745.7
			PMC SB 6/50 FW 471-480	4746.7
			PMC SB 6/50 FW 481-490	4747.7
			PMC SB 6/50 FW 491-500	4748.7
			PMC SB 6/50 FW 501-510	4749.7
			PMC SB 6/50 FW 511-520	4750.7
			PMC SB 6/50 FW 521-530	4751.7
			PMC SB 6/50 FW 531-540	4752.7
			PMC SB 6/50 FW 541-550	4753.7
			PMC SB 6/50 FW 551-560	4754.7
			PMC SB 6/50 FS 1-10	4737.7
			PMC SB 6/50 FS 11-20	4738.7
			PMC SB 6/50 FS 21-30	4739.7
			PMC SB 6/50 FS 31-40	4740.7
			PMC SB 6/50 FS 41-50	4741.7
			PMC SB 6/50 FS 51-60	4742.7
			PMC SB 6/50 FS 61-70	4743.7
			PMC SB 6/50 FS 71-80	4744.7
			PMC SB 6/50 FS 81-90	4745.7
			PMC SB 6/50 FS 91-100	4746.7
			PMC SB 6/50 FS 101-110	4747.7
			PMC SB 6/50 FS 111-120	4748.7
			PMC SB 6/50 FS 121-130	4749.7
			PMC SB 6/50 FS 131-140	4750.7
			PMC SB 6/50 FS 141-150	4751.7
			PMC SB 6/50 FS 151-160	4752.7
			PMC SB 6/50 FS 161-170	4753.7
			PMC SB 6/50 FS 171-180	4754.7
			PMC SB 6/50 FS 181-190	4755.7
			PMC SB 6/50 FS 191-200	4756.7
			PMC SB 6/50 FS 201-210	4757.7
			PMC SB 6/50 FS 211-220	4758.7

PMC SB 6 FW		PMC SB 6 GW		Pocket-Maxicard PMC SB 7,5		PMC SB 7.5 WH	
				<p>The PMC SB 7.5 Pocket-Maxi-Card is suitable for labelling all transformer terminals from the TK and TKS series. They can also be used with transformer terminals from other manufacturers (such as PHOENIX CONTACT, Wago or Adels). They are available blank or with custom printing.</p> <p>Material: polyamide 6.6 UL 94 V-2, halogen-free</p>			
PMC SB 6/...WH Pre-printed as shown	Cat. no.	PMC SB 6/...WH Pre-printed as shown	Cat. no.				
PMC SB 6/50 FS 221-230	9274.7	PMC SB 6/50 GS 1	4788.7	Type / colour		PMC SB 7.5/40 WH	
PMC SB 6/50 FS 231-240	9275.7	PMC SB 6/50 GS 2	4789.7	Cat. no.	Qty.	9326.7	400
PMC SB 6/50 FS 241-250	9276.7	PMC SB 6/50 GS 3	4790.7	Type / Colour	Custom print	PMC SB 7.5/40 So WH	
PMC SB 6/50 FS 251-260	9277.7	PMC SB 6/50 GS 4	4791.7	Cat. no.	Qty.	3327.7	400
PMC SB 6/50 FS 261-270	9278.7	PMC SB 6/50 GS 5	4792.7	Dimensions			
PMC SB 6/50 FS 271-280	9279.7	PMC SB 6/50 GS 6	4793.7	Length x width (mm)		5 x 7.5	
PMC SB 6/50 FS 281-290	9280.7	PMC SB 6/50 GS 7	4794.7	Number of markers per row		8	
PMC SB 6/50 FS 291-300	9281.7	PMC SB 6/50 GS 8	4795.7	Number of markers per card		40	
PMC SB 6/50 FS 1-50	4748.7	PMC SB 6/50 GS 9	4796.7	Material			
PMC SB 6/50 FS 51-100	4749.7	PMC SB 6/50 GS 0	4797.7	Material		PA 6.6, halogen-free	
PMC SB 6/50 FS 101-150	4750.7	PMC SB 6/50 GS X	4798.7	Temperature range		-40 °C to +105 °C	
PMC SB 6/50 FS 151-200	4751.7	PMC SB 6/50 GS PE	4799.7	Flamm. class acc. to UL 94		V-2	
PMC SB 6/50 FS 201-250	4752.7	PMC SB 6/50 GS L1	4800.7	Printed			
PMC SB 6/50 FS 251-300	4753.7	PMC SB 6/50 GS L2	4801.7	Printing process		Thermal transfer	
PMC SB 6/50 FS 301-350	4754.7	PMC SB 6/50 GS L3	4802.7	Labelling pen		BS-1	
PMC SB 6/50 FS 351-400	4755.7	PMC SB 6/50 GS N	4803.7	Number of characters / rows when using font size 1.6 and plotter pen 0.25: horizontal		4 / 1	
PMC SB 6/50 FS 401-450	4756.7	PMC SB 6/50 GS -	4804.7	Number of characters / rows when using font size 1.6 and plotter pen 0.25: vertical		2 / 3	
PMC SB 6/50 FS 451-500	4757.7			Application			
PMC SB 6/50 FS 501-550	4758.7			Terminal width, mm		≥ 7.5	
PMC SB 6/50 FS 551-600	4759.7						
PMC SB 6/50 FS 601-650	4760.7						
PMC SB 6/50 FS 651-700	4761.7						
PMC SB 6/50 FS 701-750	4762.7						
PMC SB 6/50 FS 751-800	4763.7						
PMC SB 6/50 FS 801-850	4764.7						
PMC SB 6/50 FS 851-900	4765.7						
PMC SB 6/50 FS 2,4,6-20	4807.7						
PMC SB 6/50 FS 1,3,5-19	4808.7						
PMC SB 6/50 FS L1,L2,L3,N,PE	4766.7						
PMC SB 6/50 FS U1,V1,W1,N,PE	4767.7						
PMC SB 6/50 FS U1,V1,W1	4768.7						
PMC SB 6/50 FS U2,V-2,W2,N,PE	4769.7						
PMC SB 6/50 FS X1-X10	4771.7						
PMC SB 6/50 GW 1	4772.7						
PMC SB 6/50 GW 2	4773.7						
PMC SB 6/50 GW 3	4774.7						
PMC SB 4/50 GW 5	4775.7						
PMC SB 6/50 GW 5	4776.7						
PMC SB 6/50 GW 6	4777.7						
PMC SB 6/50 GW 7	4778.7						
PMC SB 6/50 GW 8	4779.7						
PMC SB 6/50 GW 9	4780.7						
PMC SB 6/50 GW 0	4781.7						
PMC SB 6/50 GW X	4782.7						
PMC SB 6/50 GW PE	4783.7						
PMC SB 6/50 GW L1	4784.7						
PMC SB 6/50 GW L2	4785.7						
PMC SB 6/50 GW L3	4786.7						
PMC SB 6/50 GW N	4787.7						
PMC SB 6/50 GW -	4805.7						
PMC SB 6/50 GW +	4806.7						

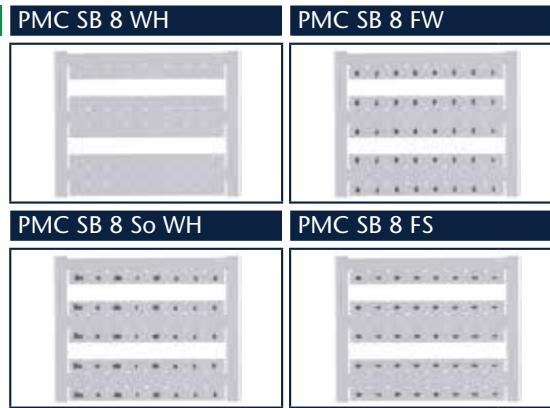
Terminal markers – Pocket-Maxicard PMC SB

Pocket-Maxicard PMC SB 8

The **PMC SB 8** Pocket-Maxi-Card is suitable for labelling all CONTA-CLIP terminal blocks that are wider than 8 mm.

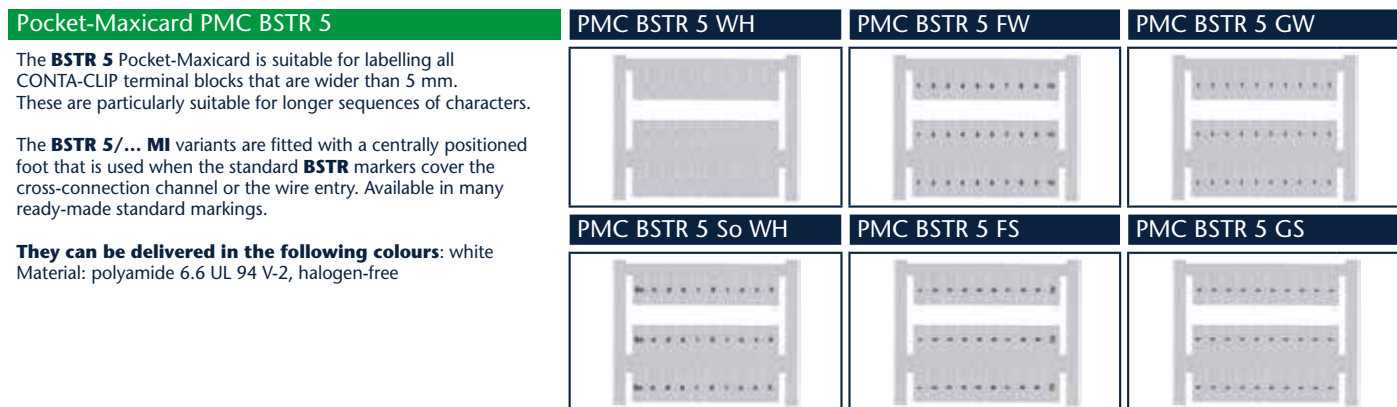
They are available in a variety of pre-printed standard markers, in a blank version, or custom printed to any requirement.

Material: polyamide 6.6 UL 94 V-2, halogen-free



		PMC SB 8/50 WH	PMC SB 8/50 So WH	PMC SB 6/...WH Pre-printed as shown	Cat. no.
Type / colour		PMC SB 8/50 WH	PMC SB 8/50 So WH	PMC SB 8/40 FW 1-8	9292.7
Cat. no.	Qty.	9323.7	400	PMC SB 8/40 FW 9-16	9293.7
Type / Colour	Custom print	PMC SB 8/50 So WH		PMC SB 8/40 FW 17-24	9294.7
Cat. no.	Qty.	9322.7	400	PMC SB 8/40 FW 25-32	9295.7
Dimensions				PMC SB 8/40 FW 33-40	9296.7
Length x width (mm)		5 x 8		PMC SB 8/40 FW 41-48	9297.7
Number of markers per row		8		PMC SB 8/40 FW 57-64	9298.7
Number of markers per card		40		PMC SB 8/40 FW 65-72	9299.7
Material				PMC SB 8/40 FW 73-80	9300.7
Material		PA 6.6, halogen-free		PMC SB 8/40 FW 81-88	9301.7
Temperature range		-40 °C to +105 °C		PMC SB 8/40 FW 89-96	9302.7
Flamm. class acc. to UL 94		V-2		PMC SB 8/40 FW 97-104	9303.7
Printed				PMC SB 8/40 FW 105-112	9304.7
Printing process		Thermal transfer		PMC SB 8/40 FW 49-56	9305.7
Labelling pen		BS-1		PMC SB 8/40 FW 113-120	9306.7
Number of characters / rows when using font size 1.6 and plotter pen 0.25: horizontal		5 / 2		PMC SB 8/40 FW 1-40	9289.7
Number of characters / rows when using font size 1.6 and plotter pen 0.25: vertical		3 / 3		PMC SB 8/40 FW 41-80	9290.7
Application				PMC SB 8/40 FW 81-120	9291.7
Terminal width, mm		≥ 8		PMC SB 8/40 FS 1-8	9307.7
				PMC SB 8/40 FS 9-16	9308.7
				PMC SB 8/40 FS 17-24	9309.7
				PMC SB 8/40 FS 25-32	9310.7
				PMC SB 8/40 FS 33-40	9311.7
				PMC SB 8/40 FS 41-48	9312.7
				PMC SB 8/40 FS 49-56	9313.7
				PMC SB 8/40 FS 57-64	9314.7
				PMC SB 8/40 FS 65-72	9315.7
				PMC SB 8/40 FS 73-80	9316.7
				PMC SB 8/40 FS 81-88	9317.7
				PMC SB 8/40 FS 89-96	9318.7
				PMC SB 8/40 FS 97-104	9319.7
				PMC SB 8/40 FS 105-112	9320.7
				PMC SB 8/40 FS 113-120	9321.7
				PMC SB 8/40 FS 1-40	9286.7
				PMC SB 8/40 FS 41-80	9287.7
				PMC SB 8/40 FS 81-120	9288.7

Terminal markers – Pocket-Maxicard PMC BSTR



Pocket-Maxicard PMC BSTR 5

The **BSTR 5** Pocket-Maxicard is suitable for labelling all CONTA-CLIP terminal blocks that are wider than 5 mm. These are particularly suitable for longer sequences of characters.

The **BSTR 5/... MI** variants are fitted with a centrally positioned foot that is used when the standard **BSTR** markers cover the cross-connection channel or the wire entry. Available in many ready-made standard markings.

They can be delivered in the following colours: white
Material: polyamide 6.6 UL 94 V-2, halogen-free

	PMC BSTR 5 WH	PMC BSTR 5 FW	PMC BSTR 5 GW
Type / colour	PMC BSTR 5/36 WH	PMC BSTR 5/...WH Pre-printed as shown	PMC SB 5/...WH Pre-printed as shown
Cat. no.	9000.7	Cat. no.	Cat. no.
Qty.	360	PMC BSTR 5/36 FW 1-12 9002.7	PMC BSTR 5/36 FS 325-360 9056.7
Type / Colour Custom print	PMC BSTR 5/36 So WH	PMC BSTR 5/36 FW 13-24 9003.7	PMC BSTR 5/36 FS 361-396 9057.7
Cat. no.	9001.7	PMC BSTR 5/36 FW 25-36 9004.7	PMC BSTR 5/36 FS 397-432 9058.7
Qty.	360	PMC BSTR 5/36 FW 37-48 9005.7	PMC BSTR 5/36 FS 433-468 9059.7
Type / colour	PMC BSTR 5/36 MI WH	PMC BSTR 5/36 FW 49-60 9006.7	PMC BSTR 5/36 FS 469-504 9060.7
Cat. no.	9324.7	PMC BSTR 5/36 FW 61-72 9007.7	PMC BSTR 5/36 FS 505-540 9061.7
Qty.	360	PMC BSTR 5/36 FW 73-84 9008.7	PMC BSTR 5/36 FS 541-576 9062.7
Type / Colour Custom print	PMC BSTR 5/36 MI So WH	PMC BSTR 5/36 FW 85-96 9009.7	PMC BSTR 5/36 FS 577-612 9063.7
Cat. no.	9325.7	PMC BSTR 5/36 FW 97-108 9010.7	PMC BSTR 5/36 FS 613-648 9064.7
Qty.	360	PMC BSTR 5/36 FW 109-120 9011.7	PMC BSTR 5/36 FS L1,L2,L3,N,PE 9065.7
Dimensions		PMC BSTR 5/36 FW 1-36 9012.7	PMC BSTR 5/36 FS U1,V1,W1,N,PE 9066.7
Length x width (mm)	10 x 5	PMC BSTR 5/36 FW 37-72 9013.7	PMC BSTR 5/36 FS U1,V1,W1 9067.7
Number of markers per row	12	PMC BSTR 5/36 FW 73-108 9014.7	PMC BSTR 5/36 FS U2,V-2,W2,N,PE 9068.7
Number of markers per card	36	PMC BSTR 5/36 FW 109-144 9015.7	PMC BSTR 5/36 FS U2,V-2,W2 9069.7
Material		PMC BSTR 5/36 FW 145-180 9016.7	PMC BSTR 5/36 FS X1-X12 9070.7
Material	PA 6.6, halogen-free	PMC BSTR 5/36 FW 181-216 9017.7	PMC BSTR 5/36 GW 1 9071.7
Temperature range	-40°C to +105°C	PMC BSTR 5/36 FW 217-252 9018.7	PMC BSTR 5/36 GW 2 9072.7
Flamm. class acc. to UL 94	V-2	PMC BSTR 5/36 FW 253-288 9019.7	PMC BSTR 5/36 GW 3 9073.7
Printed		PMC BSTR 5/36 FW 289-324 9020.7	PMC BSTR 5/36 GW 4 9074.7
Printing process	Thermal transfer	PMC BSTR 5/36 FW 325-360 9021.7	PMC BSTR 5/36 GW 5 9075.7
Labelling pen	BS-1	PMC BSTR 5/36 FW 361-396 9022.7	PMC BSTR 5/36 GW 6 9076.7
Number of characters / rows when using font size 1.6 and plotter pen 0.25: horizontal	2 / 3	PMC BSTR 5/36 FW 397-432 9023.7	PMC BSTR 5/36 GW 7 9077.7
Number of characters / rows when using font size 1.6 and plotter pen 0.25: vertical	6 / 2	PMC BSTR 5/36 FW 433-468 9024.7	PMC BSTR 5/36 GW 8 9078.7
Application		PMC BSTR 5/36 FW 469-504 9025.7	PMC BSTR 5/36 GW 9 9079.7
Terminal width, mm	≥ 5.1	PMC BSTR 5/36 FW 505-540 9026.7	PMC BSTR 5/36 GW 0 9080.7
		PMC BSTR 5/36 FW 541-576 9027.7	PMC BSTR 5/36 GW X 9081.7
		PMC BSTR 5/36 FW 577-612 9028.7	PMC BSTR 5/36 GW PE 9082.7
		PMC BSTR 5/36 FW 613-648 9029.7	PMC BSTR 5/36 GW L1 9083.7
		PMC BSTR 5/36 FW 649-684 9030.7	PMC BSTR 5/36 GW L2 9084.7
		PMC BSTR 5/36 FW L1,L2,L3,N,PE 9031.7	PMC BSTR 5/36 GW L3 9085.7
		PMC BSTR 5/36 FW U1,V1,W1,N,PE 9032.7	PMC BSTR 5/36 GW N 9086.7
		PMC BSTR 5/36 FW U1,V1,W1 9033.7	PMC BSTR 5/36 GW + 9087.7
		PMC BSTR 5/36 FW U2,V-2,W2,N,PE 9034.7	PMC BSTR 5/36 GW - 9088.7
		PMC BSTR 5/36 FW U2,V-2,W2 9035.7	
		PMC BSTR 5/36 FW X1-X12 9036.7	PMC BSTR 5/36 GS 1 9089.7
			PMC BSTR 5/36 GS 2 9090.7
		PMC BSTR 5/36 FS 1-12 9037.7	PMC BSTR 5/36 GS 3 9091.7
		PMC BSTR 5/36 FS 13-24 9038.7	PMC BSTR 5/36 GS 4 9092.7
		PMC BSTR 5/36 FS 25-36 9039.7	PMC BSTR 5/36 GS 5 9093.7
		PMC BSTR 5/36 FS 37-48 9040.7	PMC BSTR 5/36 GS 6 9094.7
		PMC BSTR 5/36 FS 49-60 9041.7	PMC BSTR 5/36 GS 7 9095.7
		PMC BSTR 5/36 FS 61-72 9042.7	PMC BSTR 5/36 GS 8 9096.7
		PMC BSTR 5/36 FS 73-84 9043.7	PMC BSTR 5/36 GS 9 9097.7
		PMC BSTR 5/36 FS 85-96 9044.7	PMC BSTR 5/36 GS 0 9098.7
		PMC BSTR 5/36 FS 97-108 9045.7	PMC BSTR 5/36 GS X 9099.7
		PMC BSTR 5/36 FS 109-120 9046.7	PMC BSTR 5/36 GS PE 9100.7
		PMC BSTR 5/36 FS 1-36 9047.7	PMC BSTR 5/36 GS L1 9101.7
		PMC BSTR 5/36 FS 37-72 9048.7	PMC BSTR 5/36 GS L2 9102.7
		PMC BSTR 5/36 FS 73-108 9049.7	PMC BSTR 5/36 GS L3 9103.7
		PMC BSTR 5/36 FS 109-144 9050.7	PMC BSTR 5/36 GS N 9104.7
		PMC BSTR 5/36 FS 145-180 9051.7	PMC BSTR 5/36 GS - 9105.7
		PMC BSTR 5/36 FS 181-216 9052.7	
		PMC BSTR 5/36 FS 217-252 9053.7	
		PMC BSTR 5/36 FS 253-288 9054.7	
		PMC BSTR 5/36 FS 289-324 9055.7	

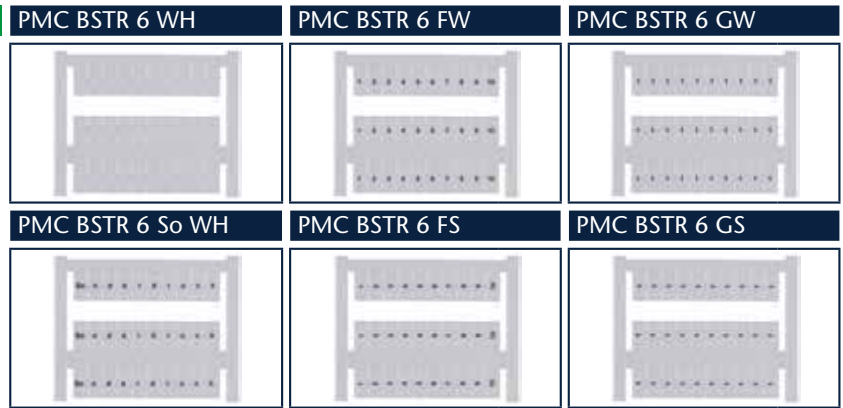
Terminal markers – Pocket-Maxicard PMC BSTR

Pocket-Maxicard PMC BSTR 6

The **BSTR 6** Pocket-Maxicard is suitable for labelling all CONTA-CLIP terminal blocks that are wider than 6 mm. These are particularly suitable for longer sequences of characters.

They are available in a variety of pre-printed standard markers, in a blank version, or custom printed to any requirement.

Material: polyamide 6.6 UL 94 V-2, halogen-free



		PMC BSTR 6 WH	PMC BSTR 6 FW	PMC BSTR 6 GW
		PMC BSTR 6/...WH	PMC BSTR 6/...WH	PMC BSTR 6/...WH
		Pre-printed as shown	Pre-printed as shown	Pre-printed as shown
Type / colour		PMC BSTR 6/30 WH	PMC BSTR 6/30 FW 1-10	PMC BSTR 6/30 FS 271-300
<i>Cat. no.</i>		9106.7	9108.7	9162.7
Type / Colour	Qty.	PMC BSTR 6/30 WH 300	PMC BSTR 6/30 FW 11-20	PMC BSTR 6/30 FS 301-330
	Custom print	9106.7	9109.7	9163.7
<i>Cat. no.</i>	Qty.	PMC BSTR 6/30 So WH 300	PMC BSTR 6/30 FW 21-30	PMC BSTR 6/30 FS 331-360
		9107.7	9110.7	9164.7
Dimensions			PMC BSTR 6/30 FW 31-40	PMC BSTR 6/30 FS 361-390
Length x width (mm)		12 x 5	PMC BSTR 6/30 FW 41-50	PMC BSTR 6/30 FS 391-420
Number of markers per row		10	PMC BSTR 6/30 FW 51-60	PMC BSTR 6/30 FS 421-450
Number of markers per card		30	PMC BSTR 6/30 FW 61-70	PMC BSTR 6/30 FS 451-480
Material			PMC BSTR 6/30 FW 71-80	PMC BSTR 6/30 FS 481-510
Material		PA 6.6, halogen-free	PMC BSTR 6/30 FW 81-90	PMC BSTR 6/30 FS 511-540
			PMC BSTR 6/30 FW 91-100	PMC BSTR 6/30 FS L1,L2,L3,N,PE
				9171.7
Temperature range		-40°C to +105°C	PMC BSTR 6/30 FW 1-30	PMC BSTR 6/30 FS U1,V1,W1,N,PE
				9172.7
Flamm. class acc. to UL 94		V-2	PMC BSTR 6/30 FW 31-60	PMC BSTR 6/30 FS U1,V1,W1
			PMC BSTR 6/30 FW 61-90	PMC BSTR 6/30 FS U2,V-2,W2,N,PE
Printed				9173.7
				9174.7
Printing process		Thermal transfer	PMC BSTR 6/30 FW 91-120	PMC BSTR 6/30 FS U2,V-2,W2
Labelling pen		BS-1	PMC BSTR 6/30 FW 121-150	PMC BSTR 6/30 FS X1-X10
Number of characters / rows when using font size 1.6 and plotter pen 0.25: horizontal		3 / 3	PMC BSTR 6/30 FW 151-180	
			PMC BSTR 6/30 FW 181-210	PMC BSTR 6/30 GW 1
Number of characters / rows when using font size 1.6 and plotter pen 0.25: vertical		8 / 3	PMC BSTR 6/30 FW 211-240	9177.7
			PMC BSTR 6/30 FW 241-270	PMC BSTR 6/30 GW 2
Application			PMC BSTR 6/30 FW 271-300	9178.7
Terminal width, mm		≥ 6	PMC BSTR 6/30 FW 301-330	PMC BSTR 6/30 GW 3
			PMC BSTR 6/30 FW 331-360	9179.7
			PMC BSTR 6/30 FW 361-390	PMC BSTR 6/30 GW 4
			PMC BSTR 6/30 FW 391-420	9180.7
			PMC BSTR 6/30 FW 421-450	PMC BSTR 6/30 GW 5
			PMC BSTR 6/30 FW 451-480	9181.7
			PMC BSTR 6/30 FW 481-510	PMC BSTR 6/30 GW 6
			PMC BSTR 6/30 FW 511-540	9182.7
			PMC BSTR 6/30 FW 541-570	PMC BSTR 6/30 GW 7
			PMC BSTR 6/30 FW L1,L2,L3,N,PE	9183.7
			PMC BSTR 6/30 FW U1,V1,W1,N,PE	PMC BSTR 6/30 GW 8
			PMC BSTR 6/30 FW U1,V1,W1	9184.7
			PMC BSTR 6/30 FW U2,V-2,W2,N,PE	PMC BSTR 6/30 GW 9
			PMC BSTR 6/30 FW U2,V-2,W2,N,PE	9185.7
			PMC BSTR 6/30 FW U2,V-2,W2	PMC BSTR 6/30 GW 0
			PMC BSTR 6/30 FW X1-X10	9186.7
				PMC BSTR 6/30 GW X
				9187.7
				PMC BSTR 6/30 GW PE
				9188.7
				PMC BSTR 6/30 GW L1
				9189.7
				PMC BSTR 6/30 GW L2
				9190.7
				PMC BSTR 6/30 GW L3
				9191.7
				PMC BSTR 6/30 GW N
				9192.7
				PMC BSTR 6/30 GW +
				9193.7
				PMC BSTR 6/30 GW -
				9194.7
				PMC BSTR 6/30 GS 1
				9195.7
				PMC BSTR 6/30 GS 2
				9196.7
				PMC BSTR 6/30 GS 3
				9197.7
				PMC BSTR 6/30 GS 4
				9198.7
				PMC BSTR 6/30 GS 5
				9199.7
				PMC BSTR 6/30 GS 6
				9200.7
				PMC BSTR 6/30 GS 7
				9201.7
				PMC BSTR 6/30 GS 8
				9202.7
				PMC BSTR 6/30 GS 9
				9203.7
				PMC BSTR 6/30 GS 0
				9204.7
				PMC BSTR 6/30 GS X
				9205.7
				PMC BSTR 6/30 GS PE
				9206.7
				PMC BSTR 6/30 GS L1
				9207.7
				PMC BSTR 6/30 GS L2
				9208.7
				PMC BSTR 6/30 GS L3
				9209.7
				PMC BSTR 6/30 GS N
				9210.7
				PMC BSTR 6/30 GS -
				9211.7

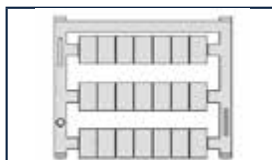
Pocket-Maxicard PMC BSTR 8

The **BSTR 8** Pocket-Maxicard is suitable for labelling all CON-TA-CLIP terminal blocks that are wider than 8 mm. These are particularly suitable for longer sequences of characters.

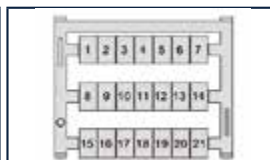
They are available in a variety of pre-printed standard markers, in a blank version, or custom printed to any requirement.

Material: polyamide 6.6 UL 94 V-2, halogen-free

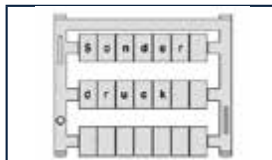
PMC BSTR 8 x 12 WH



PMC BSTR 8 x 12 FW



PMC BSTR 8 x 12 So WH



PMC BSTR 8 x 12 FS



		PMC BSTR 8 x 12/21 WH	PMC BSTR 8 x 12/...WH Pre-printed as shown	<i>Cat. no.</i>
Type / colour				
<i>Cat. no.</i>		9410.7	PMC BSTR 8 x 12/21 FW 1-21	9413.7
Type / Colour	Qty.	210	PMC BSTR 8 x 12/21 FW 22-42	9414.7
	Custom print		PMC BSTR 8 x 12/21 FW 43-63	9415.7
<i>Cat. no.</i>	Qty.	9411.7	PMC BSTR 8 x 12/21 FW 64-84	9416.7
Dimensions			PMC BSTR 8 x 12/21 FW 84-105	9417.7
Length x width (mm)		12 x 8	PMC BSTR 8 x 12/21 FW 1-42	9418.7
Number of markers per row		7	PMC BSTR 8 x 12/21 FW 43-84	9419.7
Number of markers per card		21	PMC BSTR 8 x 12/21 FW 1-105	9420.7
Material			PMC BSTR 8 x 12/21 FW 106-210	9421.7
Material		PA 6.6, halogen-free	PMC BSTR 8 x 12/21 FW L1,L2,L3,N,PE	9422.7
Temperature range		-40 °C to +105 °C		
Flamm. class acc. to UL 94		V-2	PMC BSTR 8 x 12/21 FS 1-21	9423.7
Printed			PMC BSTR 8 x 12/21 FS 22-42	9424.7
Printing process		Thermal transfer	PMC BSTR 8 x 12/21 FS 43-63	9425.7
Labelling pen		BS-1	PMC BSTR 8 x 12/21 FS 64-84	9426.7
Number of characters / rows when using font size 1.6 and plotter pen 0.25: horizontal		6 / 5	PMC BSTR 8 x 12/21 FS 84-105	9427.7
Number of characters / rows when using font size 1.6 and plotter pen 0.25: vertical		9 / 4	PMC BSTR 8 x 12/21 FS 1-42	9428.7
Application			PMC BSTR 8 x 12/21 FS 43-84	9429.7
Terminal width, mm		≥ 8	PMC BSTR 8 x 12/21 FS 1-105	9430.7
			PMC BSTR 8 x 12/21 FS 106-210	9431.7
			PMC BSTR 8 x 12/21 FS L1,L2,L3,N,PE	9432.7

Terminal markers – Pocket-Maxicard PMC BSTR

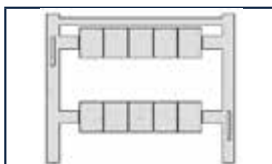
Pocket-Maxicard PMC BSTR 10

The **BSTR 10** Pocket-Maxicard is suitable for labelling all CONTA-CLIP terminal blocks that are wider than 10 mm. These are particularly suitable for longer sequences of characters.

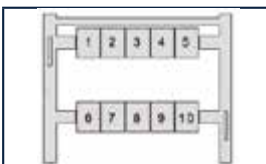
They are available in a variety of pre-printed standard markers, in a blank version, or custom printed to any requirement.

Material: polyamide 6.6 UL 94 V-2, halogen-free

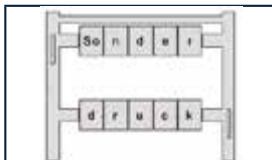
PMC BSTR 10 x 12 WH



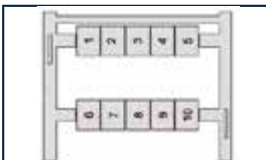
PMC BSTR 10 x 12 FW



PMC BSTR 10 x 12 So WH



PMC BSTR 10 x 12 FS



		PMC BSTR 10 x 12/21 WH		PMC BSTR 10 x 12/21 So WH		PMC BSTR 10 x 12/...WH Pre-printed as shown		Cat. no.
Type / colour								
Cat. no.	Qty.	9433.7	100			PMC BSTR 10x12/10 FW 1-10		9436.7
Type / Colour	Custom print					PMC BSTR 10x12/10 FW 11-20		9437.7
Cat. no.	Qty.	9434.7	100			PMC BSTR 10x12/10 FW 22-30		9438.7
Dimensions						PMC BSTR 10x12/10 FW 31-40		9439.7
Length x width (mm)		12 x 10				PMC BSTR 10x12/10 FW 41-50		9440.7
Number of markers per row		5				PMC BSTR 10x12/10 FW 1-40		9441.7
Number of markers per card		10				PMC BSTR 10x12/10 FW 41-80		9442.7
Material						PMC BSTR 10x12/10 FW 81-120		9443.7
Material		PA 6.6, halogen-free				PMC BSTR 10x12/10 FW 1-100		9444.7
Temperature range		-40 °C to +105 °C				PMC BSTR 10x12/10 FW L1,L2,L3,N,PE		9445.7
Flamm. class acc. to UL 94		V-2				PMC BSTR 10x12/10 FS 1-10		9446.7
Printed						PMC BSTR 10x12/10 FS 11-20		9447.7
Printing process		Thermal transfer				PMC BSTR 10x12/10 FS 22-30		9448.7
Labelling pen		BS-1				PMC BSTR 10x12/10 FS 31-40		9449.7
Number of characters / rows when using font size 1.6 and plotter pen 0.25: horizontal		8 / 5				PMC BSTR 10x12/10 FS 41-50		9450.7
Number of characters / rows when using font size 1.6 and plotter pen 0.25: vertical		9 / 5				PMC BSTR 10x12/10 FS 1-40		9451.7
Application						PMC BSTR 10x12/10 FS 41-80		9452.7
Terminal width, mm		≥ 10				PMC BSTR 10x12/10 FS 81-120		9453.7
						PMC BSTR 10x12/10 FS 1-100		9454.7
						PMC BSTR 10x12/10 FS L1,L2,L3,N,PE		9455.7

Notes



Terminal markers | Quick marking system SB

Quick marking system SB 5

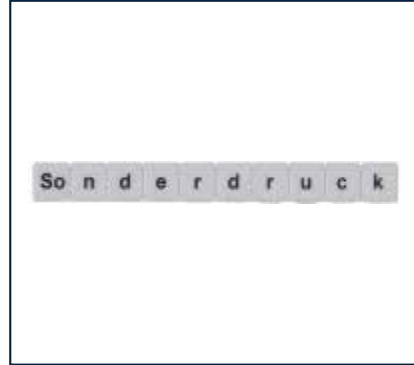
The **SB 5** quick marking system is suitable for labelling all CONTA-CLIP terminals that are wider than 5 mm. They are available in a variety of standard, prefabricated markers or with custom labelling.

The **SB 5** blank markers are available as **MC SB 5/200 WH**. They can easily be printed on using the **EMS** plotter system.

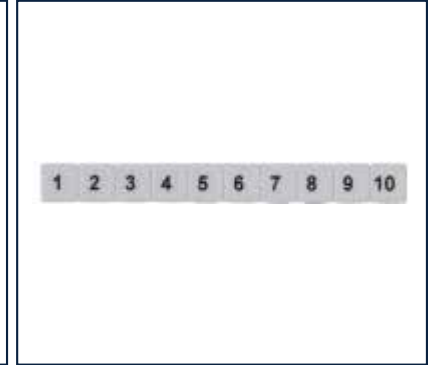
Material: polyamide 6.6 UL 94 V-2, halogen-free



SB 5 So WH



SB 5 FW



		SB 5/...WH Pre-printed as shown		SB 5/...WH Pre-printed as shown	
Type / colour		Cat. no.		Cat. no.	
Type / colour	SB 5/10 WH	SB 5/10 FW 1-10	2431.0001	SB 5/10 FS X1; Y1; Z1	2472.0001
Cat. no.	2430.0	SB 5/10 FW 11-20	2431.0002	SB 5/10 FS X2; Y2; Z2	2472.0002
Type / Colour	Custom print	SB 5/10 FW 21-30	2431.0003	SB 5/10 FS X3; Y3; Z3	2472.0003
Cat. no.	2431.7	SB 5/10 FW 31-40	2431.0004	SB 5/10 FS X4; Y4; Z4	2472.0004
Dimensions		SB 5/10 FW 41-50	2431.0005	SB 5/10 FS X5; Y5; Z5	2472.0005
Length x width (mm)	5 x 5	SB 5/10 FW 51-60	2431.0006	SB 5/10 FS X6; Y6; Z6	2472.0006
Number of markers per row	10	SB 5/10 FW 61-70	2431.0007	SB 5/10 FS X7; Y7; Z7	2472.0007
Number of markers per card	-	SB 5/10 FW 71-80	2431.0008	SB 5/10 FS X8; Y8; Z8	2472.0008
Material		SB 5/10 FW 81-90	2431.0009	SB 5/10 FS X9; Y9; Z9	2472.0009
Material	PA 6.6, halogen-free	SB 5/10 FW 91-100	2431.0010	SB 5/10 FS X10; Y10; Z10	2472.0010
Temperature range	-40 °C to +105 °C	SB 5/10 FW X1; Y1; Z1	2404.0001	SB 5/10 FS R1; S1; T1	2472.0011
Flamm. class acc. to UL 94	V-2	SB 5/10 FW X2; Y2; Z2	2404.0002	SB 5/10 FS R2; S2; T2	2472.0012
Printed		SB 5/10 FW X3; Y3; Z3	2404.0003	SB 5/10 FS R3; S3; T3	2472.0013
Printing process	Thermal transfer	SB 5/10 FW X4; Y4; Z4	2404.0004	SB 5/10 FS R4; S4; T4	2472.0014
Labelling pen	BS-1	SB 5/10 FW X5; Y5; Z5	2404.0005	SB 5/10 FS R5; S5; T5	2472.0015
Plotter	EMS-2	SB 5/10 FW X6; Y6; Z6	2404.0006	SB 5/10 FS R6; S6; T6	2472.0016
Application		SB 5/10 FW X7; Y7; Z7	2404.0007	SB 5/10 FS R7; S7; T7	2472.0017
Terminal width, mm	≥ 5	SB 5/10 FW X8; Y8; Z8	2404.0008	SB 5/10 FS R8; S8; T8	2472.0018
		SB 5/10 FW X9; Y9; Z9	2404.0009	SB 5/10 FS R9; S9; T9	2472.0019
		SB 5/10 FW X10; Y10; Z10	2404.0010	SB 5/10 FS R10; S10; T10	2472.0020
		SB 5/10 FW R1; S1; T1	2404.0011	SB 5/10 FS U1; V1; W1	2472.0021
		SB 5/10 FW R2; S2; T2	2404.0012	SB 5/10 FS U2; V2; W2	2472.0022
		SB 5/10 FW R3; S3; T3	2404.0013	SB 5/10 FS U3; V3; W3	2472.0023
		SB 5/10 FW R4; S4; T4	2404.0014	SB 5/10 FS U4; V4; W4	2472.0024
		SB 5/10 FW R5; S5; T5	2404.0015	SB 5/10 FS U5; V5; W5	2472.0025
		SB 5/10 FW R6; S6; T6	2404.0016	SB 5/10 FS U6; V6; W6	2472.0026
		SB 5/10 FW R7; S7; T7	2404.0017	SB 5/10 FS U7; V7; W7	2472.0027
		SB 5/10 FW R8; S8; T8	2404.0018	SB 5/10 FS U8; V8; W8	2472.0028
		SB 5/10 FW R9; S9; T9	2404.0019	SB 5/10 FS U9; V9; W9	2472.0029
		SB 5/10 FW R10; S10; T10	2404.0020	SB 5/10 FS U10; V10; W10	2472.0030
		SB 5/10 FW U1; V1; W1	2404.0021	SB 5/10 FS U; V; W; N; PE	2473.0001
		SB 5/10 FW U2; V2; W2	2404.0022	SB 5/10 FS R; S; T; N;	2473.0002
		SB 5/10 FW U3; V3; W3	2404.0023	Earth with circle	
		SB 5/10 FW U4; V4; W4	2404.0024	SB 5/10 FS L1; L2; L3; N; PE	2473.0003
		SB 5/10 FW U5; V5; W5	2404.0025	SB 5/10FWL1; L2; L3; N;	2473.0004
		SB 5/10 FW U6; V6; W6	2404.0026	Earth with circle	
		SB 5/10 FW U7; V7; W7	2404.0027	SB 5/10 GW 1	2432.0001
		SB 5/10 FW U8; V8; W8	2404.0028	SB 5/10 GW 2	2432.0002
		SB 5/10 FW U9; V9; W9	2404.0029	SB 5/10 GW 3	2432.0003
		SB 5/10 FW U10; V10; W10	2404.0030	SB 5/10 GW 4	2432.0004
		SB 5/10 FW U; V; W; N; PE	2471.0001	SB 5/10 GW 5	2432.0005
		SB 5/10 FW R; S; T; N;	2471.0002	SB 5/10 GW 6	2432.0006
		Earth with circle		SB 5/10 GW 7	2432.0007
		SB 5/10 FW L1; L2; L3;	2471.0003	SB 5/10 GW 8	2432.0008
		N; PE		SB 5/10 GW 9	2432.0009
		SB 5/10FWL1; L2; L3; N;	2471.0004	SB 5/10 GW 10	2432.0010
		Earth with circle		SB 5/10 GW 11	2432.0011
		SB 5/10 FS 1-10	2433.0001	SB 5/10 GW 12	2432.0012
		SB 5/10 FS 11-20	2433.0002	SB 5/10 GW 13	2432.0013
		SB 5/10 FS 21-30	2433.0003	SB 5/10 GW 14	2432.0014
		SB 5/10 FS 31-40	2433.0004	SB 5/10 GW 15	2432.0015
		SB 5/10 FS 41-50	2433.0005	SB 5/10 GW 16	2432.0016
		SB 5/10 FS 51-60	2433.0006	SB 5/10 GW 17	2432.0017
		SB 5/10 FS 61-70	2433.0007	SB 5/10 GW 18	2432.0018
		SB 5/10 FS 71-80	2433.0008	SB 5/10 GW 19	2432.0019
		SB 5/10 FS 81-90	2433.0009	SB 5/10 GW 20	2432.0020
		SB 5/10 FS 91-100	2433.0010		

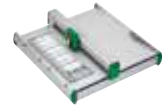
Terminal markers | Quick marking system SB

Quick marking system SB 6

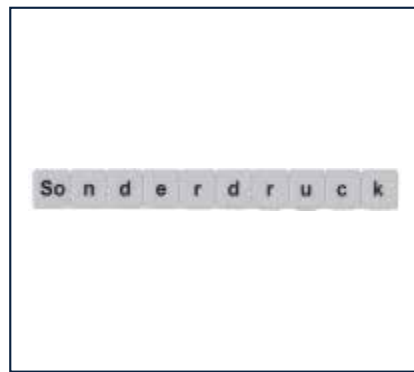
The **SB 6** quick marking system is suitable for labelling all CONTA-CLIP terminals that are wider than 6 mm. They are available in a variety of standard, prefabricated markers or with custom labelling.

The **SB 6** blank markers are available as **MC SB 6/200 WH**. They can easily be printed on using the **EMS** plotter system.

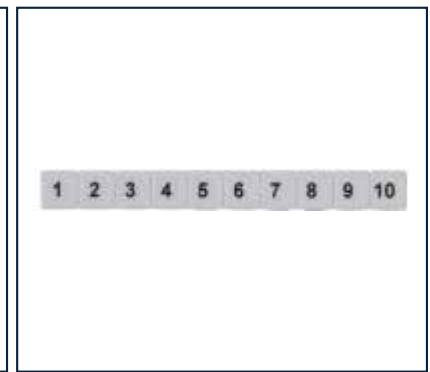
Material: polyamide 6.6 UL 94 V-2, halogen-free



SB 6 So WH



SB 6 FW



		SB 6/...WH Pre-printed as shown		SB 6/...WH Pre-printed as shown	
		Cat. no.	Cat. no.	Cat. no.	Cat. no.
Type / colour	SB 6/10 WH	SB 6/10 FW 1-10	2036.0001	SB 6/10 FS X1; Y1; Z1	2990.0001
Cat. no.	2035.0	SB 6/10 FW 11-20	2036.0002	SB 6/10 FS X2; Y2; Z2	2990.0002
Type / Colour	SB 6/10 So WH	SB 6/10 FW 21-30	2036.0003	SB 6/10 FS X3; Y3; Z3	2990.0003
Qty.	250	SB 6/10 FW 31-40	2036.0004	SB 6/10 FS X4; Y4; Z4	2990.0004
Custom print		SB 6/10 FW 41-50	2036.0005	SB 6/10 FS X5; Y5; Z5	2990.0005
Dimensions		SB 6/10 FW 51-60	2036.0006	SB 6/10 FS X6; Y6; Z6	2990.0006
Length x width (mm)	5 x 6	SB 6/10 FW 61-70	2036.0007	SB 6/10 FS X7; Y7; Z7	2990.0007
Number of markers per row	10	SB 6/10 FW 71-80	2036.0008	SB 6/10 FS X8; Y8; Z8	2990.0008
Number of markers per card	-	SB 6/10 FW 81-90	2036.0009	SB 6/10 FS X9; Y9; Z9	2990.0009
Material		SB 6/10 FW 91-100	2036.0010	SB 6/10 FS X10; Y10; Z10	2990.0010
Material	PA 6.6, halogen-free	SB 6/10 FW X1; Y1; Z1	2989.0001	SB 6/10 FS R1; S1; T1	2990.0011
Temperature range	-40 °C to +105 °C	SB 6/10 FW X2; Y2; Z2	2989.0002	SB 6/10 FS R2; S2; T2	2990.0012
Flamm. class acc. to UL 94	V-2	SB 6/10 FW X3; Y3; Z3	2989.0003	SB 6/10 FS R3; S3; T3	2990.0013
Printed		SB 6/10 FW X4; Y4; Z4	2989.0004	SB 6/10 FS R4; S4; T4	2990.0014
Printing process	Thermal transfer	SB 6/10 FW X5; Y5; Z5	2989.0005	SB 6/10 FS R5; S5; T5	2990.0015
Labelling pen	BS-1	SB 6/10 FW X6; Y6; Z6	2989.0006	SB 6/10 FS R6; S6; T6	2990.0016
Plotter	EMS-2	SB 6/10 FW X7; Y7; Z7	2989.0007	SB 6/10 FS R7; S7; T7	2990.0017
Application		SB 6/10 FW X8; Y8; Z8	2989.0008	SB 6/10 FS R8; S8; T8	2990.0018
Terminal width, mm	≥ 6	SB 6/10 FW X9; Y9; Z9	2989.0009	SB 6/10 FS R9; S9; T9	2990.0019
		SB 5/10 FW X10; Y10; Z10	2989.0010	SB 6/10 FS R10; S10; T10	2990.0020
		SB 6/10 FW R1; S1; T1	2989.0011	SB 6/10 FS U1; V1; W1	2990.0021
		SB 6/10 FW R2; S2; T2	2989.0012	SB 6/10 FS U2; V-2; W2	2990.0022
		SB 6/10 FW R3; S3; T3	2989.0013	SB 6/10 FS U3; V3; W3	2990.0023
		SB 6/10 FW R4; S4; T4	2989.0014	SB 6/10 FS U4; V4; W4	2990.0024
		SB 6/10 FW R5; S5; T5	2989.0015	SB 6/10 FS U5; V5; W5	2990.0025
		SB 6/10 FW R6; S6; T6	2989.0016	SB 6/10 FS U6; V6; W6	2990.0026
		SB 6/10 FW R7; S7; T7	2989.0017	SB 6/10 FS U7; V7; W7	2990.0027
		SB 6/10 FW R8; S8; T8	2989.0018	SB 6/10 FS U8; V8; W8	2990.0028
		SB 6/10 FW R9; S9; T9	2989.0019	SB 6/10 FS U9; V9; W9	2990.0029
		SB 6/10 FW R10; S10; T10	2989.0020	SB 6/10 FS U10; V10; W10	2990.0030
		SB 6/10 FW U1; V1; W1	2989.0021	SB 6/10 FS U; V; W; N; PE	2149.0001
		SB 6/10 FW U2; V-2; W2	2989.0022	SB 6/10 FS R; S; T; N;	2149.0002
				Earth with circle	
		SB 6/10 FW U3; V3; W3	2989.0023	SB 6/10 FS L1; L2; L3; N; PE	2149.0003
		SB 6/10 FW U4; V4; W4	2989.0024	SB 6/10FWL1; L2; L3; N;	2149.0004
				Earth with circle	
		SB 6/10 FW U5; V5; W5	2989.0025		
		SB 6/10 FW U6; V6; W6	2989.0026	SB 6/10 GW 1	2102.0001
		SB 6/10 FW U7; V7; W7	2989.0027	SB 6/10 GW 2	2102.0002
		SB 6/10 FW U8; V8; W8	2989.0028	SB 6/10 GW 3	2102.0003
		SB 6/10 FW U9; V9; W9	2989.0029	SB 6/10 GW 4	2102.0004
		SB 6/10 FW U10; V10; W10	2989.0030	SB 6/10 GW 5	2102.0005
		SB 6/10 FW U; V; W; N; PE	2040.0001	SB 6/10 GW 6	2102.0006
		SB 6/10 FW R; S; T; N;	2040.0002	SB 6/10 GW 7	2102.0007
		Earth with circle			
		SB 6/10 FW	2040.0003	SB 6/10 GW 8	2102.0008
		L1; L2; L3; N; PE			
		SB 6/10 FW L1; L2; L3;	2040.0004	SB 6/10 GW 9	2102.0009
		N; Earth with circle			
				SB 6/10 GW 10	2102.0010
		SB 6/10 FS 1-10	2037.0001	SB 6/10 GW 11	2102.0011
		SB 6/10 FS 11-20	2037.0002	SB 6/10 GW 12	2102.0012
		SB 6/10 FS 21-30	2037.0003	SB 6/10 GW 13	2102.0013
		SB 6/10 FS 31-40	2037.0004	SB 6/10 GW 14	2102.0014
		SB 6/10 FS 41-50	2037.0005	SB 6/10 GW 15	2102.0015
		SB 6/10 FS 51-60	2037.0006	SB 6/10 GW 16	2102.0016
		SB 6/10 FS 61-70	2037.0007	SB 6/10 GW 17	2102.0017
		SB 6/10 FS 71-80	2037.0008	SB 6/10 GW 18	2102.0018
		SB 6/10 FS 81-90	2037.0009	SB 6/10 GW 19	2102.0019
		SB 6/10 FS 91-100	2037.0010	SB 6/10 GW 20	2102.0020
				SB 6/10 GW 21	2102.0021
				SB 6/10 GW 22	2102.0022
				SB 6/10 GW 23	2102.0023
				SB 6/10 GW 24	2102.0024

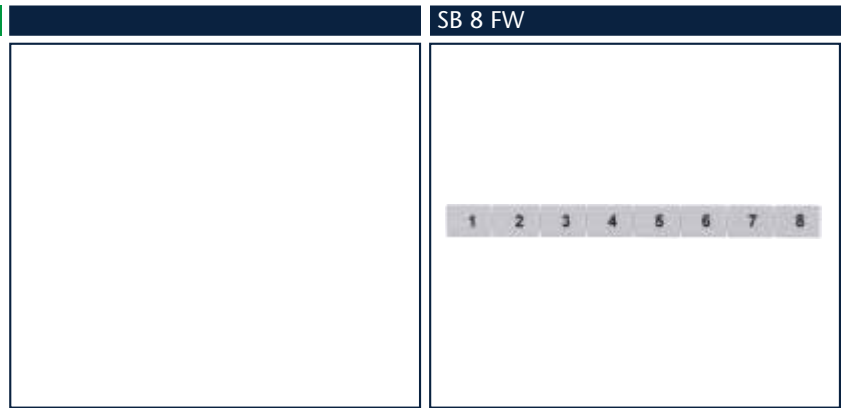
Terminal markers | Quick marking system SB

Quick marking system SB 8

The **SB 8** quick marking system is suitable for labelling all CONTA-CLIP terminals that are wider than 8 mm. They are available in a variety of standard, prefabricated markers or with custom labelling.

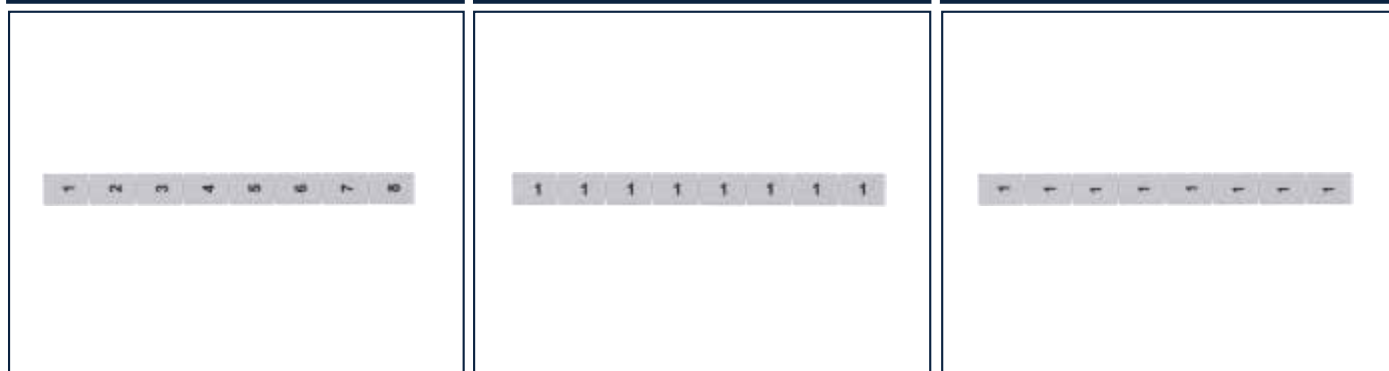
The **SB 8** blank markers are available as **MC SB 8/160 WH**. They can easily be printed on using the **EMS** plotter system.

Material: polyamide 6.6 UL 94 V-2, halogen-free



Quick marking system SB 8		SB 8 FW	
Type / colour	SB 8/8 WH	SB 8/...WH Pre-printed as shown	SB 8/...WH Pre-printed as shown
Cat. no.	2940.0	Cat. no.	Cat. no.
Type / Colour	Custom print	SB 8/8 FW 1-8	SB 8/8 FS 73-80
Cat. no.	Qty.	SB 8/8 FW 9-16	SB 8/8 FS 81-88
Dimensions		SB 8/8 FW 17-24	SB 8/8 FS 89-96
Length x width (mm)	5 x 8	SB 8/8 FW 25-32	SB 8/8 FS 97-104
Number of markers per row	8	SB 8/8 FW 33-40	SB 8/8 FS 105-112
Number of markers per card	-	SB 8/8 FW 41-48	SB 8/8 FS 113-120
Material		SB 8/8 FW 49-56	SB 8/8 FS X1; Y1; Z1
Material	PA 6.6, halogen-free	SB 8/8 FW 57-64	SB 8/8 FS X2; Y2; Z2
Temperature range	-40 °C to +105 °C	SB 8/8 FW 65-72	SB 8/8 FS X3; Y3; Z3
Flamm. class acc. to UL 94	V-2	SB 8/8 FW 73-80	SB 8/8 FS X4; Y4; Z4
Printed		SB 8/8 FW 81-88	SB 8/8 FS X5; Y5; Z5
Printing process	Thermal transfer	SB 8/8 FW 89-96	SB 8/8 FS X6; Y6; Z6
Labelling pen	BS-1	SB 8/8 FW 97-104	SB 8/8 FS X7; Y7; Z7
Plotter	EMS-2	SB 8/8 FW 105-112	SB 8/8 FS X8; Y8; Z8
Application		SB 8/8 FW 113-120	SB 8/8 FS X9; Y9; Z9
Terminal width, mm	≥ 8	SB 8/8 FW X1; Y1; Z1	SB 5/10 FS X10; Y10; Z10
		SB 8/8 FW X2; Y2; Z2	SB 8/8 FS R1; S1; T1
		SB 8/8 FW X3; Y3; Z3	SB 8/8 FS R2; S2; T2
		SB 8/8 FW X4; Y4; Z4	SB 8/8 FS R3; S3; T3
		SB 8/8 FW X5; Y5; Z5	SB 8/8 FS R4; S4; T4
		SB 8/8 FW X6; Y6; Z6	SB 8/8 FS R5; S5; T5
		SB 8/8 FW X7; Y7; Z7	SB 8/8 FS R6; S6; T6
		SB 8/8 FW X8; Y8; Z8	SB 8/8 FS R7; S7; T7
		SB 8/8 FW X9; Y9; Z9	SB 8/8 FS R8; S8; T8
		SB 5/10 FW X10; Y10; Z10	SB 8/8 FS R9; S9; T9
		SB 8/8 FW R1; S1; T1	SB 8/8 FS R10; S10; T10
		SB 8/8 FW R2; S2; T2	SB 8/8 FS U1; V1; W1
		SB 8/8 FW R3; S3; T3	SB 8/8 FS U2; V-2; W2
		SB 8/8 FW R4; S4; T4	SB 8/8 FS U3; V3; W3
		SB 8/8 FW R5; S5; T5	SB 8/8 FS U4; V4; W4
		SB 8/8 FW R6; S6; T6	SB 8/8 FS U5; V5; W5
		SB 8/8 FW R7; S7; T7	SB 8/8 FS U6; V6; W6
		SB 8/8 FW R8; S8; T8	SB 8/8 FS U7; V7; W7
		SB 8/8 FW R9; S9; T9	SB 8/8 FS U8; V8; W8
		SB 8/8 FW R10; S10; T10	SB 8/8 FS U9; V9; W9
		SB 8/8 FW U1; V1; W1	SB 8/8 FS U10; V10; W10
		SB 8/8 FW U2; V-2; W2	SB 8/8 FS U; V; W; N; PE
		SB 8/8 FW U3; V3; W3	SB 8/8 FS R; S; T; N;
		SB 8/8 FW U4; V4; W4	Earth with circle
		SB 8/8 FW U5; V5; W5	SB 8/8 FS L1; L2; L3;
		SB 8/8 FW U6; V6; W6	N; PE
		SB 8/8 FW U7; V7; W7	SB 8/8 FS L1; L2; L3; N;
		SB 8/8 FW U8; V8; W8	Earth with circle
		SB 8/8 FW U9; V9; W9	SB 8/8 GW 0
		SB 8/8 FW U10; V10; W10	SB 8/8 GW 1
		SB 8/8 FW U; V; W; N; PE	SB 8/8 GW 2
		SB 8/8 FW R; S; T; N;	SB 8/8 GW 3
		Earth with circle	SB 8/8 GW 4
		SB 8/8 FW L1; L2; L3;	SB 8/8 GW 5
		N; PE	SB 8/8 GW 6
		SB 8/8 FW L1; L2; L3; N;	SB 8/8 GW 7
		Earth with circle	SB 8/8 GW 8
		SB 8/8 FS 1-8	SB 8/8 GW 9
		SB 8/8 FS 9-16	SB 8/8 GW X
		SB 8/8 FS 17-24	SB 8/8 GW PE
		SB 8/8 FS 25-32	SB 8/8 GW L1
		SB 8/8 FS 33-40	SB 8/8 GW L2
		SB 8/8 FS 41-48	SB 8/8 GW L3
		SB 8/8 FS 49-56	SB 8/8 GW N
		SB 8/8 FS 57-64	SB 8/8 GW +
		SB 8/8 FS 65-72	SB 8/8 GW -

SB 8 FS	SB 8 GW	SB 8 GS
---------	---------	---------



SB 8/...WH Pre-printed as shown	Cat. no.	SB 8/...WH Pre-printed as shown	Cat. no.	SB 8/...WH Pre-printed as shown	Cat. no.	SB 8/...WH Pre-printed as shown	Cat. no.
SB 8/8 GW A	9484.0001	SB 8/8 GS A	9485.0001				
SB 8/8 GW B	9484.0002	SB 8/8 GS B	9485.0002				
SB 8/8 GW C	9484.0003	SB 8/8 GS C	9485.0003				
SB 8/8 GW D	9484.0004	SB 8/8 GS D	9485.0004				
SB 8/8 GW E	9484.0005	SB 8/8 GS E	9485.0005				
SB 8/8 GW F	9484.0006	SB 8/8 GS F	9485.0006				
SB 8/8 GW G	9484.0007	SB 8/8 GS G	9485.0007				
SB 8/8 GW H	9484.0008	SB 8/8 GS H	9485.0008				
SB 8/8 GW I	9484.0009	SB 8/8 GS I	9485.0009				
SB 8/8 GW J	9484.0010	SB 8/8 GS J	9485.0010				
SB 8/8 GW K	9484.0011	SB 8/8 GS K	9485.0011				
SB 8/8 GW L	9484.0012	SB 8/8 GS L	9485.0012				
SB 8/8 GW M	9484.0013	SB 8/8 GS M	9485.0013				
SB 8/8 GW N	9484.0014	SB 8/8 GS N	9485.0014				
SB 8/8 GW O	9484.0015	SB 8/8 GS O	9485.0015				
SB 8/8 GW P	9484.0016	SB 8/8 GS P	9485.0016				
SB 8/8 GW Q	9484.0017	SB 8/8 GS Q	9485.0017				
SB 8/8 GW R	9484.0018	SB 8/8 GS R	9485.0018				
SB 8/8 GW S	9484.0019	SB 8/8 GS S	9485.0019				
SB 8/8 GW T	9484.0020	SB 8/8 GS T	9485.0020				
SB 8/8 GW U	9484.0021	SB 8/8 GS U	9485.0021				
SB 8/8 GW V	9484.0022	SB 8/8 GS V	9485.0022				
SB 8/8 GW W	9484.0023	SB 8/8 GS W	9485.0023				
SB 8/8 GW X	9484.0024	SB 8/8 GS X	9485.0024				
SB 8/8 GW Y	9484.0025	SB 8/8 GS Y	9485.0025				
SB 8/8 GW Z	9484.0026	SB 8/8 GS Z	9485.0026				
SB 8/8 GW PE	9484.0027	SB 8/8 GS PE	9485.0027				
SB 8/8 GW PEN	9484.0028	SB 8/8 GS PEN	9485.0028				
SB 8/8 GW MP	9484.0029	SB 8/8 GS MP	9485.0029				
SB 8/8 GW SL	9484.0030	SB 8/8 GS SL	9485.0030				
SB 8/8 GW T1	9484.0031	SB 8/8 GS T1	9485.0031				
SB 8/8 GW T2	9484.0032	SB 8/8 GS T2	9485.0032				
SB 8/8 GW T3	9484.0033	SB 8/8 GS T3	9485.0033				
SB 8/8 GW +	9484.0034	SB 8/8 GS +	9485.0034				
SB 8/8 GW -	9484.0035	SB 8/8 GS -	9485.0035				
SB 8/8 GW ~	9484.0036	SB 8/8 GS ~	9485.0036				
SB 8/8 GW Earth	9484.0037	SB 8/8 GS Earth	9485.0037				
SB 8/8 GW Earth with circuit	9484.0038	SB 8/8 GS Earth with circle	9485.0038				
SB 8/8 GS 0	9479.0000						
SB 8/8 GS 1	9479.0001						
SB 8/8 GS 2	9479.0002						
SB 8/8 GS 3	9479.0003						
SB 8/8 GS 4	9479.0004						
SB 8/8 GS 5	9479.0005						
SB 8/8 GS 6	9479.0006						
SB 8/8 GS 7	9479.0007						
SB 8/8 GS 8	9479.0008						
SB 8/8 GS 9	9479.0009						
SB 8/8 GS X	9479.0010						
SB 8/8 GS PE	9479.0011						
SB 8/8 GS L1	9479.0012						
SB 8/8 GS L2	9479.0013						
SB 8/8 GS L3	9479.0014						
SB 8/8 GS N	9479.0015						
SB 8/8 GS +	9479.0016						
SB 8/8 GS -	9479.0017						

Types and catalogue numbers, alphabetic

Type	Cat. no.	Page	Type	Cat. no.	Page	Type	Cat. no.	Page
A			FAP 2.5/3A GN	3411.1	41	FAPT 2.5/3A OG	3482.3	83
AD 3/1000 mm transparent	2958.2	110	FAP 2.5/3A OG	3411.3	82	FAPT 2.5/3A RD	3482.9	83
AS 3/10 WH	2571.0	108, 109	FAP 2.5/3A RD	3411.9	82	FAPT 2.5/3A YE	3482.8	83
B			FAP 2.5/4A BG	3412.2	41, 82	FBA 1 BG	3424.2	46, 47, 49, 50, 51, 77, 94
BS M 5 x 8/15	2415.0	104, 105	FAP 2.5/4A BU	3412.5	82	FDLI 2.5-4 L/L	3286.2	63
BS M 6 x 12/15	2304.0	104, 105	FAP 2.5/4A GN	3412.1	41, 82	FDLI 2.5-4 L/L/PE	3285.2	62
BW 1 (FRK)	3831.0	96	FAP 2.5/4A OG	3412.3	82	FDLI 2.5-4 MT/L	3289.2	62
BW 10 (FRK)	3840.0	97	FAP 2.5/4A RD	3412.9	82	FDLI 2.5-4 MT/L/PE	3282.2	62
BW 2 (FRK)	3832.0	96	FAP 2.5/4A YE	3412.8	82	FDLI 2.5-4 NT/L	3284.2	62
BW 3 (FRK)	3833.0	96	FAP 4/3A BG	3421.2	42, 82	FDLI 2.5-4 NT/L/PE	3283.2	62
BW 4 (FRK)	3834.0	96	FAP 4/3A BU	3421.5	82	FDLI 2.5-4 OT/L	3288.2	63
BW 5 (FRK)	3835.0	96	FAP 4/3A GN	3421.1	43, 82	FDLI 2.5-4 OT/L/PE	3287.2	63
BW 6 (FRK)	3836.0	97	FAP 4/3A OG	3421.3	82	FDLIS 2.5-4 L	3246.2	73
BW 7 (FRK)	3837.0	97	FAP 4/3A RD	3421.9	82	FDLIS 2.5-4 L/L	3244.2	73
BW 8 (FRK)	3838.0	97	FAP 4/3A YE	3421.8	82	FDLIS 2.5-4 L/L/PE	3242.2	72
BW 9 (FRK)	3839.0	97	FAP 4/4A BG	3422.2	43, 82	FDLIS 2.5-4 N	3245.2	73
BWMA 1 (0.5 x 2.5 mm)	3841.0	96	FAP 4/4A GN	3422.1	43, 82	FDLIS 2.5-4 N/L	3243.2	73
BWMA 1 (0.5 x 3.5 mm)	3808.0	96	FAP 4/4A OG	3422.3	82	FDLIS 2.5-4 N/L/PE	3241.2	72
E			FAP 4/4A RD	3422.9	82	FDLIS 2.5-4 NT/L/PE	3240.2	72
ES 15 BG	2074.2	107	FAP 4/4A YE	3422.8	82	FDLIS B 2.5-4 3L/3N/3PE	3249.2	74
ES 32 BG	2004.2	106	FAP 4/S BG	3480.2	72-75, 83	FDLIS B 2.5-4 3L/N/PE	3250.2	75
ES 32/2/K BG	2825.2	106	FAP 4/S BU	3480.5	83	FDLIS B 2.5-4 3NT/3L/3PE	3247.2	74
ES 32/35 BG	1424.2	107	FAP 4/S OG	3480.3	83	FDLIS B 2.5-4 6L	3251.2	75
ES 32/K/ST BG	2827.0	106	FAPD 2.5 BG	3423.2	46-49, 82	FDLIS B 2.5-4 6L/3PE	3252.2	75
ES 35 BG	2005.2	106	FAPD 2.5 BU	3423.5	82	FDLIS B 2.5-4 NT/3L/PE	3248.2	74
ES 35/2/K BG	2826.2	106	FAPD 2.5 GN	3423.1	46, 82	FIK 2.5/3 BG	3295.2	77
ES 35/K/ST BG	2828.0	106, 111	FAPD 2.5 OG	3423.3	82	FIK 2.5/3/LED(RD) BG	3296.2	77
ESO	2584.0	108, 109	FAPD 2.5/3A BG	17422.2	50, 51, 82	FIQI 2.5-4/10 YE	17400.8	66, 91
ESO 2	2877.0	109	FAPD 2.5/3A BU	17422.5	82	FIQI 2.5-4/2 YE	17402.8	66, 91
ESO 3	2585.0	109	FAPD 2.5/3A GN	17422.1	50, 82	FIQI 2.5-4/3 YE	17403.8	66, 91
ESO GT 1	2580.0	109	FAPD 2.5/3A OG	17422.3	82	FIQI 2.5-4/4 YE	17404.8	66, 91
ESO GT 2	25801.0	109	FAPDT 4 BG	3487.2	62, 63, 83	FIQI 2.5-4/5 YE	17405.8	66, 91
F			FAPI 16/2A BG	3486.2	83	FIQI 2.5-4/6 YE	17406.8	66, 91
FAD 1.5/4/B YE	3425.8	38, 39, 94	FAPI 16/2A BU	3486.5	83	FIQI 2.5-4/7 YE	17407.8	66, 91
FAD 2.5/4/B YE	3426.8	40, 41, 46-51, 56-59, 66, 94	FAPI 16/2A GN	3486.1	68, 69, 83	FIQI 2.5-4/8 YE	17408.8	66, 91
FAD 4/4/B YE	3427.8	42, 43, 94	FAPI 16/2A OG	3486.3	83	FIQI 2.5-4/9 YE	17409.8	66, 91
FAP 1.5-4/2A BG	3400.2	38, 40, 42, 82	FAPI 2.5-4/2A BG	3484.2	66, 83	FIQI 6-10/10 YE	17410.8	67, 68, 91
FAP 1.5-4/2A BU	3400.5	82	FAPI 2.5-4/2A BU	3484.5	66, 83	FIQI 6-10/2 YE	17412.8	67, 68, 91
FAP 1.5-4/2A GN	3400.1	38, 40, 42, 82	FAPI 2.5-4/2A GN	3484.1	66, 83	FIQI 6-10/3 YE	17413.8	67, 68, 91
FAP 1.5-4/2A OG	3400.3	82	FAPI 2.5-4/2A OG	3484.3	83	FIQI 6-10/4 YE	17414.8	67, 68, 91
FAP 1.5-4/2A RD	3400.9	82	FAPI 6-10/2A BG	3485.2	67, 83	FIQI 6-10/5 YE	17415.8	67, 68, 91
FAP 1.5-4/2A YE	3400.8	82	FAPI 6-10/2A BU	3485.5	67, 83	FIQI 6-10/6 YE	17416.8	67, 68, 91
FAP 1.5/3A BG	3401.2	38, 82	FAPI 6-10/2A GN	3485.1	67, 83	FIQI 6-10/7 YE	17417.8	67, 68, 91
FAP 1.5/3A BU	3401.5	82	FAPI 6-10/2A OG	3485.3	83	FIQI 6-10/8 YE	17418.8	67, 68, 91
FAP 1.5/3A GN	3401.1	39, 82	FAPI 6-10/2A RD	3485.9	83	FIQI 6-10/9 YE	17419.8	67, 68, 91
FAP 1.5/3A OG	3401.3	82	FAPI 6-10/3A BG	17423.2	68, 83	FNT 16 BU	3275.5	69
FAP 1.5/3A RD	3401.9	82	FAPI 6-10/3A BU	17423.5	83	FNT 2.5-4 BU	3273.5	66
FAP 1.5/3A YE	3401.8	82	FAPI 6-10/3A GN	17423.1	68, 83	FNT 6-10 BU	3274.5	67
FAP 1.5/4A BG	3402.2	39, 82	FAPI 6-10/3A OG	17423.3	83	FQI 1.5/10 BK	3450.4	90
FAP 1.5/4A BU	3402.5	82	FAPIK 2.5/3 BG	17430.2	77, 83	FQI 1.5/10 BU	3450.5	90
FAP 1.5/4A GN	3402.1	39, 82	FAPNT 16/2A BU	17241.5	69, 83	FQI 1.5/10 RD	3450.9	90
FAP 1.5/4A OG	3402.3	82	FAPSI 4/2A BG	3489.2	83	FQI 1.5/10 YE	3450.8	38, 39, 90
FAP 1.5/4A RD	3402.9	82	FAPSI 4/2A BK	3489.4	53	FQI 1.5/2 BK	3452.4	90
FAP 1.5/4A YE	3402.8	82	FAPSI 4/2A BU	3489.5	83	FQI 1.5/2 BU	3452.5	90
FAP 16/2A BG	17420.2	43	FAPSI 4/2A OG	3489.3	83	FQI 1.5/2 RD	3452.9	90
FAP 16/2A GN	17420.1	43	FAPT 2.5/2A BG	3481.2	56, 58, 83	FQI 1.5/2 YE	3452.8	38, 39, 90
FAP 2.5/3A BG	3411.2	40, 82	FAPT 2.5/2A BU	3481.5	83	FQI 1.5/3 BK	3453.4	90
FAP 2.5/3A BU	3411.5	82	FAPT 2.5/2A GN	3481.1	83	FQI 1.5/3 BU	3453.5	90
			FAPT 2.5/2A OG	3481.3	83	FQI 1.5/3 RD	3453.9	90
			FAPT 2.5/2A RD	3481.9	83	FQI 1.5/3 YE	3453.8	38, 39, 90
			FAPT 2.5/2A YE	3481.8	83			
			FAPT 2.5/3A BG	3482.2	57, 59, 83			
			FAPT 2.5/3A BU	3482.5	83			
			FAPT 2.5/3A GN	3482.1	83			

Type	Cat. no.	Page	Type	Cat. no.	Page	Type	Cat. no.	Page
FQI 1.5/4 BK	3454.4	90	FQI 2.5/4 RD	3464.9	77, 90	FQI 4/8 RD	3478.9	91
FQI 1.5/4 BU	3454.5	90	FQI 2.5/4 YE	3464.8	40, 41, 46-51, 56-59, 77, 90	FQI 4/8 YE	3478.8	42, 43, 53, 91
FQI 1.5/4 RD	3454.9	90				FQI 4/9 BK	3479.4	91
FQI 1.5/4 YE	3454.8	38, 39, 90	FQI 2.5/5 BK	3465.4	77, 90	FQI 4/9 BU	3479.5	91
FQI 1.5/5 BK	3455.4	90	FQI 2.5/5 BU	3465.5	77, 90	FQI 4/9 RD	3479.9	91
FQI 1.5/5 BU	3455.5	90	FQI 2.5/5 RD	3465.9	77, 90	FQI 4/9 YE	3479.8	42, 43, 53, 91
FQI 1.5/5 RD	3455.9	90	FQI 2.5/5 YE	3465.8	40, 41, 46-51, 56-59, 77, 90	FRK 1.5/2A BG	3200.2	38
FQI 1.5/5 YE	3455.8	38, 39, 90				FRK 1.5/2A BU	3200.5	38
FQI 1.5/6 BK	3456.4	90	FQI 2.5/50 BK	3461.4	77	FRK 1.5/2A GN	3200.1	38
FQI 1.5/6 BU	3456.5	90	FQI 2.5/50 BU	3461.5	77	FRK 1.5/2A OG	3200.3	38
FQI 1.5/6 RD	3456.9	90	FQI 2.5/50 RD	3461.9	77	FRK 1.5/2A RD	3200.9	38
FQI 1.5/6 YE	3456.8	38, 39, 90	FQI 2.5/50 YE	3461.8	77	FRK 1.5/2A YE	3200.8	38
FQI 1.5/7 BK	3457.4	90	FQI 2.5/6 BK	3466.4	77, 90	FRK 1.5/3A BG	3201.2	38
FQI 1.5/7 BU	3457.5	90	FQI 2.5/6 BU	3466.5	77, 90	FRK 1.5/3A BU	3201.5	38
FQI 1.5/7 RD	3457.9	90	FQI 2.5/6 RD	3466.9	77, 90	FRK 1.5/3A GN	3201.1	38
FQI 1.5/7 YE	3457.8	38, 39, 90	FQI 2.5/6 YE	3466.8	40, 41, 46-51, 56-59, 77, 90	FRK 1.5/3A OG	3201.3	38
FQI 1.5/8 BK	3458.4	90				FRK 1.5/3A RD	3201.9	38
FQI 1.5/8 BU	3458.5	90	FQI 2.5/7 BK	3467.4	77, 90	FRK 1.5/3A YE	3201.8	38
FQI 1.5/8 RD	3458.9	90	FQI 2.5/7 BU	3467.5	77, 90	FRK 1.5/4A BG	3202.2	39
FQI 1.5/8 YE	3458.8	38, 39, 90	FQI 2.5/7 RD	3467.9	77, 90	FRK 1.5/4A BU	3202.5	39
FQI 1.5/9 BK	3459.4	90	FQI 2.5/7 YE	3467.8	40, 41, 46-51, 56-59, 77, 90	FRK 1.5/4A GN	3202.1	39
FQI 1.5/9 BU	3459.5	90				FRK 1.5/4A OG	3202.3	39
FQI 1.5/9 RD	3459.9	90	FQI 2.5/8 BK	3468.4	77, 90	FRK 1.5/4A RD	3202.9	39
FQI 1.5/9 YE	3459.8	38, 39, 90	FQI 2.5/8 BU	3468.5	77, 90	FRK 1.5/4A YE	3202.8	39
FQI 2.5-4/10 YE	3490.8	62, 63, 72-75, 90	FQI 2.5/8 RD	3468.9	77, 90	FRK 16/2A BG	3294.2	43
			FQI 2.5/8 YE	3468.8	40, 41, 46-51, 56-59, 77, 90	FRK 16/2A BU	3294.5	43
FQI 2.5-4/2 YE	3492.8	62, 63, 72-75, 90				FRK 16/2A OG	3294.3	43
FQI 2.5-4/3 YE	3493.8	62, 63, 72-75, 90	FQI 2.5/9 BK	3469.4	77, 90	FRK 2.5/2A BG	3210.2	40
			FQI 2.5/9 BU	3469.5	77, 90	FRK 2.5/2A BU	3210.5	40
FQI 2.5-4/4 YE	3494.8	62, 63, 72-75, 90	FQI 2.5/9 RD	3469.9	77, 90	FRK 2.5/2A GN	3210.1	40
FQI 2.5-4/5 YE	3495.8	62, 63, 72-75, 90	FQI 2.5/9 YE	3469.8	40, 41, 46-51, 56-59, 77, 90	FRK 2.5/2A OG	3210.3	40
						FRK 2.5/2A RD	3210.9	40
FQI 2.5-4/50 YE	3491.8	62, 63	FQI 4/10 BK	3470.4	91	FRK 2.5/2A YE	3210.8	40
FQI 2.5-4/6 YE	3496.8	62, 63, 72, 73, 74, 75, 90	FQI 4/10 BU	3470.5	91	FRK 2.5/3A BG	3211.2	40
			FQI 4/10 RD	3470.9	91	FRK 2.5/3A BU	3211.5	40
FQI 2.5-4/7 YE	3497.8	62, 63, 72, 73, 74, 75, 90	FQI 4/10 YE	3470.8	42, 43, 53, 91	FRK 2.5/3A GN	3211.1	40
						FRK 2.5/3A OG	3211.3	40
FQI 2.5-4/8 YE	3498.8	62, 63, 72-75, 90	FQI 4/2 BK	3472.4	91	FRK 2.5/3A RD	3211.9	40
			FQI 4/2 BU	3472.5	91	FRK 2.5/3A YE	3211.8	40
FQI 2.5-4/9 YE	3499.8	62, 63, 72-75, 90	FQI 4/2 RD	3472.9	91	FRK 2.5/4A BG	3212.2	41
			FQI 4/2 YE	3472.8	42, 43, 53, 91	FRK 2.5/4A BU	3212.5	41
FQI 2.5/10 BK	3460.4	77, 90	FQI 4/3 BK	3473.4	91	FRK 2.5/4A GN	3212.1	41
FQI 2.5/10 BU	3460.5	77, 90	FQI 4/3 BU	3473.5	91	FRK 2.5/4A OG	3212.3	41
FQI 2.5/10 RD	3460.9	77, 90	FQI 4/3 RD	3473.9	91	FRK 2.5/4A RD	3212.9	41
FQI 2.5/10 YE	3460.8	40, 41, 46-51, 56-59, 77, 90	FQI 4/3 YE	3473.8	42, 43, 53, 91	FRK 2.5/4A YE	3212.8	41
						FRK 4/2A BG	3220.2	42
FQI 2.5/2 BK	3462.4	77, 90	FQI 4/4 BK	3474.4	91	FRK 4/2A BU	3220.5	42
FQI 2.5/2 BU	3462.5	77, 90	FQI 4/4 BU	3474.5	91	FRK 4/2A GN	3220.1	42
FQI 2.5/2 RD	3462.9	77, 90	FQI 4/4 RD	3474.9	91	FRK 4/2A OG	3220.3	42
FQI 2.5/2 YE	3462.8	40, 41, 46-51, 56-59, 77, 90	FQI 4/4 YE	3474.8	42, 43, 53, 91	FRK 4/2A RD	3220.9	42
						FRK 4/2A YE	3220.8	42
FQI 2.5/3 BK	3463.4	77, 90	FQI 4/5 BK	3475.4	91	FRK 4/3A BG	3221.2	42
FQI 2.5/3 BU	3463.5	77, 90	FQI 4/5 BU	3475.5	91	FRK 4/3A BU	3221.5	42
FQI 2.5/3 RD	3463.9	77, 90	FQI 4/5 RD	3475.9	91	FRK 4/3A GN	3221.1	42
FQI 2.5/3 YE	3463.8	40, 41, 46-51, 56-59, 77, 90	FQI 4/5 YE	3475.8	42, 43, 53, 91	FRK 4/3A OG	3221.3	42
						FRK 4/3A RD	3221.9	42
FQI 2.5/4 BK	3464.4	77, 90	FQI 4/6 BK	3476.4	91	FRK 4/3A YE	3221.8	42
FQI 2.5/4 BU	3464.5	77, 90	FQI 4/6 BU	3476.5	91	FRK 4/4A BG	3222.2	43
			FQI 4/6 RD	3476.9	91	FRK 4/4A BU	3222.5	43
			FQI 4/6 YE	3476.8	42, 43, 53, 91	FRK 4/4A GN	3222.1	43
						FRK 4/4A OG	3222.3	43
			FQI 4/7 BK	3477.4	91	FRK 4/4A RD	3222.9	43
			FQI 4/7 BU	3477.5	91	FRK 4/4A YE	3222.8	43
			FQI 4/7 RD	3477.9	91	FRKD 2.5 BG	3226.2	46
			FQI 4/7 YE	3477.8	42, 43, 53, 91	FRKD 2.5 BU	3226.5	46
						FRKD 2.5 GN	3226.1	46
			FQI 4/8 BK	3478.4	91	FRKD 2.5 OG	3226.3	46
			FQI 4/8 BU	3478.5	91	FRKD 2.5 RD	3226.9	46
						FRKD 2.5 YE	3226.8	46
						FRKD 2.5/3A BG	3206.2	50, 51
						FRKD 2.5/3A BU	3206.5	50
						FRKD 2.5/3A OG	3206.3	50
						FRKD 2.5/3A/DU/PE	3209.2	51
						FRKD 2.5/3A/SV BG	3207.2	51

Type	Cat. no.	Page	Type	Cat. no.	Page	Type	Cat. no.	Page
FRKD 2.5/3A/SV BU	3207.5	51	FTRK 2.5/3A/ST BG	3262.2	57	PAP 16/3A GR	27116.6	22, 23, 82
FRKD 2.5/3A/SV OG	3207.3	51	FTRK 2.5/3A/ST BU	3262.5	57	PAP 16/3A OG	27116.3	82
FRKD 2.5/D1 BG	3230.2	48	FTRK 2.5/3A/ZS 150 BG	3271.2	59	PAP 16/4A BG	27117.2	82
FRKD 2.5/D2 BG	3253.2	49	FTRK 2.5/3A/ZS 150 BU	3271.5	59	PAP 16/4A BU	27117.5	82
FRKD 2.5/D3 BG	3254.2	49	FTRK 2.5/3A/ZS 250 BG	3272.2	59	PAP 16/4A GN	27117.1	82
FRKD 2.5/D4 BG	3255.2	49	FTRK 2.5/3A/ZS 250 BU	3272.5	59	PAP 16/4A GR	27117.6	23, 82
FRKD 2.5/D5 BG	3256.2	49	FTRK 2.5/3A/ZS 36 BG	3269.2	59	PAP 16/4A OG	27117.3	82
FRKD 2.5/DU/PE	3234.2	47	FTRK 2.5/3A/ZS 36 BU	3269.5	59	PAP 2.5/2A BG	27103.2	81
FRKD 2.5/LED1(RD) 24V DC BG	3237.2	48	FTRK 2.5/3A/ZS 70 BG	3270.2	59	PAP 2.5/2A BU	27103.5	81
FRKD 2.5/LED2(RD) 24V DC BG	3238.2	48	FTRK 2.5/3A/ZS 70 BU	3270.5	59	PAP 2.5/2A GN	27103.1	81
FRKD 2.5/N/DU	3233.2	47	FTRK 2.5/3A/ZS BG	3268.2	58	PAP 2.5/2A GR	27103.6	14, 81
FRKD 2.5/N/PE	3235.2	47	FTRK 2.5/3A/ZS BU	3268.5	58	PAP 2.5/2A OG	27103.3	81
FRKD 2.5/SV BG	3227.2	46	G			PAP 2.5/3A BG	27104.2	81
FRKD 2.5/SV BU	3227.5	46	GKE 30/6 WH	3917.7	108, 109	PAP 2.5/3A BU	27104.5	81
FRKD 2.5/SV GN	3227.1	46	GT 1	3783.2	109	PAP 2.5/3A GN	27104.1	81
FRKD 2.5/SV OG	3227.3	46	GT 2	3784.2	109	PAP 2.5/3A GR	27104.6	14, 15, 81
FRKD 2.5/SV RD	3227.9	46	H			PAP 2.5/3A OG	27104.3	81
FRKD 2.5/SV YE	3227.8	46	H 10.0/22-D SR IV	3026.0	67, 68	PAP 2.5/4A BG	27105.2	81
FRKI 16/2A BG	3278.2	68	H 4,0/20-D SR GR	3194.0	53, 66	PAP 2.5/4A BU	27105.5	81
FRKI 16/2A BU	3278.5	68	HES 35/ST	2761.0	107	PAP 2.5/4A GN	27105.1	81
FRKI 16/2A OG	3278.3	68	HP FDLIS 10x3 BU	3483.5	66, 67	PAP 2.5/4A GR	27105.6	15, 81
FRKI 2.5-4 BG	3276.2	66	I			PAP 2.5/4A OG	27105.3	81
FRKI 2.5-4 BU	3276.5	66	ISKS 5	2818.0	113	PAP 4/2A BG	27106.2	81
FRKI 2.5-4 OG	3276.3	66	ISKS 6	2772.0	113	PAP 4/2A BU	27106.5	81
FRKI 6-10 BG	3277.2	67	ISKS 8	2773.0	113	PAP 4/2A GN	27106.1	81
FRKI 6-10 BU	3277.5	67	M			PAP 4/2A GR	27106.6	16, 18, 81
FRKI 6-10 OG	3277.3	67	MC SB 5/200 WH	3300.7	108, 109	PAP 4/2A OG	27106.3	81
FRKI 6-10/3A BG	3216.2	68	MT-FIX BG	3488.2	63	PAP 4/3A BG	27107.2	81
FRKI 6-10/3A BU	3216.5	68	P			PAP 4/3A BU	27107.5	81
FRKI 6-10/3A OG	3216.3	68	PAP 1.5/2A BG	27100.2	81	PAP 4/3A GN	27107.1	81
FSIK 4/2A BK	3290.4	53, 83	PAP 1.5/2A BU	27100.5	81	PAP 4/3A GR	27107.6	16, 17, 81
FSIK 4/2A/LED 12-30V AC/DC BK	3291.4	53	PAP 1.5/2A GN	27100.1	12, 81	PAP 4/3A OG	27107.3	81
FSIK 4/2A/LED 30-60V AC/DC BK	3292.4	53	PAP 1.5/2A GR	27100.6	12, 81	PAP 4/4A BG	27108.2	81
FSIK 4/2A/LED/110-250V AC/DC BK	3293.4	53	PAP 1.5/2A OG	27100.3	81	PAP 4/4A BU	27108.5	81
FSIK 4/2A/MT BK	3239.4	53	PAP 1.5/3A BG	27101.2	81	PAP 4/4A GN	27108.1	81
FSL 1.5/2A GNYE	3203.2	38	PAP 1.5/3A BU	27101.5	81	PAP 4/4A GR	27108.6	17, 81
FSL 1.5/3A GNYE	3204.2	39	PAP 1.5/3A GN	27101.1	13, 81	PAP 4/4A OG	27108.3	81
FSL 1.5/4A GNYE	3205.2	39	PAP 1.5/3A GR	27101.6	12, 13, 81	PAP 6/2A BG	27109.2	81
FSL 16/2A GNYE	3299.2	43	PAP 1.5/3A OG	27101.3	81	PAP 6/2A BU	27109.5	81
FSL 2.5/2A GNYE	3213.2	40	PAP 1.5/4A BG	27102.2	81	PAP 6/2A GN	27109.1	81
FSL 2.5/3A GNYE	3214.2	41	PAP 1.5/4A BU	27102.5	81	PAP 6/2A GR	27109.6	81
FSL 2.5/4A GNYE	3215.2	41	PAP 1.5/4A GN	27102.1	13, 81	PAP 6/2A OG	27109.3	81
FSL 4/2A GNYE	3223.2	42	PAP 1.5/4A GR	27102.6	13, 81	PAP 6/3A BG	27110.2	81
FSL 4/3A GNYE	3224.2	43	PAP 1.5/4A OG	27102.3	81	PAP 6/3A BU	27110.5	81
FSL 4/4A GNYE	3225.2	43	PAP 10/2A BG	27112.2	81	PAP 6/3A GN	27110.1	81
FSLD 2.5 GNYE	3236.2	46	PAP 10/2A BU	27112.5	81	PAP 6/3A GR	27110.6	18, 19, 81
FSLD 2.5/3A GNYE	3208.2	51	PAP 10/2A GN	27112.1	81	PAP 6/3A OG	27110.3	81
FSLI 16/2A GNYE	3281.2	69	PAP 10/2A GR	27112.6	20, 81	PAP 6/4A BG	27111.2	81
FSLI 2.5-4 GNYE	3279.2	66	PAP 10/2A OG	27112.3	81	PAP 6/4A BU	27111.5	81
FSLI 6-10 GNYE	3280.2	67	PAP 10/3A BG	27113.2	81	PAP 6/4A GN	27111.1	81
FSLI 6-10/3A GNYE	3217.2	68	PAP 10/3A BU	27113.5	81	PAP 6/4A GR	27111.6	19, 81
FTRK 2.5/2A/MT BG	3259.2	56	PAP 10/3A GN	27113.1	81	PAP 6/4A OG	27111.3	81
FTRK 2.5/2A/MT BU	3259.5	56	PAP 10/3A GR	27113.6	20, 21, 81	PAPD 2.5 BG	27118.2	82
FTRK 2.5/2A/MT OG	3259.3	56	PAP 10/3A OG	27113.3	81	PAPD 2.5 BU	27118.5	82
FTRK 2.5/2A/OT BG	3257.2	57, 59	PAP 10/4A BG	27114.2	81	PAPD 2.5 GN	27118.1	82
FTRK 2.5/2A/OT BU	3257.5	57, 59	PAP 10/4A BU	27114.5	81	PAPD 2.5 GR	27118.6	26, 27, 82
FTRK 2.5/2A/OT OG	3257.3	57, 59	PAP 10/4A GN	27114.1	81	PAPD 2.5 OG	27118.3	82
FTRK 2.5/2A/ST BG	3261.2	56	PAP 10/4A GR	27114.6	21, 82	PAPIKD 2.5 BG	27119.2	83
FTRK 2.5/2A/ST BU	3261.5	56	PAP 10/4A OG	27114.3	81	PAPIKD 2.5 BU	27119.5	83
FTRK 2.5/2A/ZS 150 BG	3266.2	58	PAP 16/2A BG	27115.2	82	PAPIKD 2.5 GN	27119.1	83
FTRK 2.5/2A/ZS 250 BG	3267.2	58	PAP 16/2A BU	27115.5	82	PAPIKD 2.5 GR	27119.6	30, 31, 83
FTRK 2.5/2A/ZS 36 BG	3264.2	58	PAP 16/2A GN	27115.1	82	PAPIKD 2.5 OG	27119.3	83
FTRK 2.5/2A/ZS 70 BG	3265.2	58	PAP 16/2A GR	27115.6	22, 82	PAPIKD/1 2.5 GR	27121.6	31, 83
FTRK 2.5/2A/ZS BG	3263.2	58	PAP 16/2A OG	27115.3	82	PAPVMAK 2.5 GR	27120.6	33, 83
FTRK 2.5/2A/ZS BU	3263.5	58	PAP 16/3A BG	27116.2	82	PBA 2 GR	27174.6	94
FTRK 2.5/3A/MT BG	3260.2	56	PAP 16/3A BU	27116.5	82	PBA 3 GR	27175.6	94
FTRK 2.5/3A/MT BU	3260.5	56	PAP 16/3A GN	27116.1	82	PC-SB 3.5x5/56 WH	28350.7	12, 13
FTRK 2.5/3A/MT OG	3260.3	56				PC-SB 5x5/48 WH	28342.7	14, 15, 26, 27, 30, 31, 33
FTRK 2.5/3A/OT BG	3258.2	57, 59						
FTRK 2.5/3A/OT BU	3258.5	57, 59						
FTRK 2.5/3A/OT OG	3258.3	57, 59						

Type	Cat. no.	Page	Type	Cat. no.	Page	Type	Cat. no.	Page
PC-SB 6x5/40 WH	28343.7	16, 17, 18-21, 22, 23	PMC BSTR 5/36 FW 1-36 WH	9012.7	119	PMC BSTR 6/30 FS 1-30 WH	9153.7	120
PIKD 2.5 BU	27039.5	30	PMC BSTR 5/36 FW 109-120 WH	9011.7	119	PMC BSTR 6/30 FS 11-20 WH	9144.7	120
PIKD 2.5 GR	27039.6	30	PMC BSTR 5/36 FW 109-144 WH	9015.7	119	PMC BSTR 6/30 FS 121-150 WH	9157.7	120
PIKD 2.5 OG	27039.3	30	PMC BSTR 5/36 FW 13-24 WH	9003.7	119	PMC BSTR 6/30 FS 151-180 WH	9158.7	120
PIKD 2.5/1/L/L GR	27050.6	31	PMC BSTR 5/36 FW 145-180 WH	9016.7	119	PMC BSTR 6/30 FS 181-210 WH	9159.7	120
PIKD 2.5/1PE/L/L GR	27048.6	31	PMC BSTR 5/36 FW 181-216 WH	9017.7	119	PMC BSTR 6/30 FS 21-30 WH	9145.7	120
PIKD 2.5/1PE/L/N GR	27049.6	31	PMC BSTR 5/36 FW 217-252 WH	9018.7	119	PMC BSTR 6/30 FS 211-240 WH	9160.7	120
PIKD 2.5/L/L/N GR	27045.6	31	PMC BSTR 5/36 FW 25-36 WH	9004.7	119	PMC BSTR 6/30 FS 241-270 WH	9161.7	120
PIKD 2.5/PE/L/L GR	27042.6	31	PMC BSTR 5/36 FW 253-288 WH	9019.7	119	PMC BSTR 6/30 FS 271-300 WH	9162.7	120
PIKD 2.5/PE/L/N GR	27043.6	31	PMC BSTR 5/36 FW 289-324 WH	9020.7	119	PMC BSTR 6/30 FS 301-330 WH	9163.7	120
PIKD 2.5/SV BU	27041.5	30	PMC BSTR 5/36 FW 325-360 WH	9021.7	119	PMC BSTR 6/30 FS 31-40 WH	9146.7	120
PIKD 2.5/SV GR	27041.6	30	PMC BSTR 5/36 FW 361-396 WH	9022.7	119	PMC BSTR 6/30 FS 31-60 WH	9154.7	120
PIKD 2.5/SV OG	27041.3	30	PMC BSTR 5/36 FW 37-48 WH	9005.7	119	PMC BSTR 6/30 FS 331-360 WH	9164.7	120
PIKD 2.5/SV/PE GNYE	27040.2	30	PMC BSTR 5/36 FW 37-72 WH	9013.7	119	PMC BSTR 6/30 FS 361-390 WH	9165.7	120
PMC BSTR 10x12/10 FS 1-10 WH	9446.7	122	PMC BSTR 5/36 FW 397-432 WH	9023.7	119	PMC BSTR 6/30 FS 391-420 WH	9166.7	120
PMC BSTR 10x12/10 FS 1-100 WH	9454.7	122	PMC BSTR 5/36 FW 433-468 WH	9024.7	119	PMC BSTR 6/30 FS 41-50 WH	9147.7	120
PMC BSTR 10x12/10 FS 1-40 WH	9451.7	122	PMC BSTR 5/36 FW 469-504 WH	9025.7	119	PMC BSTR 6/30 FS 421-450 WH	9167.7	120
PMC BSTR 10x12/10 FS 11-20 WH	9447.7	122	PMC BSTR 5/36 FW 49-60 WH	9006.7	119	PMC BSTR 6/30 FS 451-480 WH	9168.7	120
PMC BSTR 10x12/10 FS 21-30 WH	9448.7	122	PMC BSTR 5/36 FW 505-540 WH	9026.7	119	PMC BSTR 6/30 FS 481-510 WH	9169.7	120
PMC BSTR 10x12/10 FS 31-40 WH	9449.7	122	PMC BSTR 5/36 FW 541-576 WH	9027.7	119	PMC BSTR 6/30 FS 51-60 WH	9148.7	120
PMC BSTR 10x12/10 FS 41-50 WH	9450.7	122	PMC BSTR 5/36 FW 577-612 WH	9028.7	119	PMC BSTR 6/30 FS 511-540 WH	9170.7	120
PMC BSTR 10x12/10 FS 41-80 WH	9452.7	122	PMC BSTR 5/36 FW 61-72 WH	9007.7	119	PMC BSTR 6/30 FS 61-70 WH	9149.7	120
PMC BSTR 10x12/10 FS 81-120 WH	9453.7	122	PMC BSTR 5/36 FW 613-648 WH	9029.7	119	PMC BSTR 6/30 FS 61-90 WH	9155.7	120
PMC BSTR 10x12/10 FS L1,L2,L3,N,PE WH	9455.7	122	PMC BSTR 5/36 FW 649-684 WH	9030.7	119	PMC BSTR 6/30 FS 71-80 WH	9150.7	120
PMC BSTR 10x12/10 FW 1-10 WH	9436.7	122	PMC BSTR 5/36 FW 73-108 WH	9014.7	119	PMC BSTR 6/30 FS 81-90 WH	9151.7	120
PMC BSTR 10x12/10 FW 1-100 WH	9444.7	122	PMC BSTR 5/36 FW 73-84 WH	9008.7	119	PMC BSTR 6/30 FS 91-100 WH	9152.7	120
PMC BSTR 10x12/10 FW 1-40 WH	9441.7	122	PMC BSTR 5/36 FW 85-96 WH	9009.7	119	PMC BSTR 6/30 FS 91-120 WH	9156.7	120
PMC BSTR 10x12/10 FW 11-20 WH	9437.7	122	PMC BSTR 5/36 FW 97-108 WH	9010.7	119	PMC BSTR 6/30 FS L1,L2,L3,N,PE WH	9171.7	120
PMC BSTR 10x12/10 FW 21-30 WH	9438.7	122	PMC BSTR 5/36 FW L1,L2,L3,N,PE WH	9031.7	119	PMC BSTR 6/30 FS U1,V1,W1 WH	9173.7	120
PMC BSTR 10x12/10 FW 31-40 WH	9439.7	122	PMC BSTR 5/36 FW U1,V1,W1 WH	9033.7	119	PMC BSTR 6/30 FS U1,V1,W1,N,PE WH	9172.7	120
PMC BSTR 10x12/10 FW 41-50 WH	9440.7	122	PMC BSTR 5/36 FW U1,V1,W1,N,PE WH	9032.7	119	PMC BSTR 6/30 FS U2,V2,W2 WH	9175.7	120
PMC BSTR 10x12/10 FW 41-80 WH	9442.7	122	PMC BSTR 5/36 FW U2,V2,W2 WH	9035.7	119	PMC BSTR 6/30 FS U2,V2,W2,N,PE WH	9174.7	120
PMC BSTR 10x12/10 FW 81-120 WH	9443.7	122	PMC BSTR 5/36 FW U2,V2,W2,N,PE WH	9034.7	119	PMC BSTR 6/30 FS X1-X10 WH	9176.7	120
PMC BSTR 10x12/10 FW L1,L2,L3,N,PE WH	9445.7	122	PMC BSTR 5/36 FW X1-X12 WH	9036.7	119	PMC BSTR 6/30 FW 1-10 WH	9108.7	120
PMC BSTR 10x12/10 So WH	9434.7	122	PMC BSTR 5/36 GS - WH	9105.7	119	PMC BSTR 6/30 FW 1-30 WH	9118.7	120
PMC BSTR 10x12/10 WH	9433.7	122	PMC BSTR 5/36 GS 0 WH	9098.7	119	PMC BSTR 6/30 FW 11-20 WH	9109.7	120
PMC BSTR 5/36 FS 1-12 WH	9037.7	119	PMC BSTR 5/36 GS 1 WH	9089.7	119	PMC BSTR 6/30 FW 121-150 WH	9122.7	120
PMC BSTR 5/36 FS 1-36 WH	9047.7	119	PMC BSTR 5/36 GS 2 WH	9090.7	119	PMC BSTR 6/30 FW 151-180 WH	9123.7	120
PMC BSTR 5/36 FS 109-120 WH	9046.7	119	PMC BSTR 5/36 GS 3 WH	9091.7	119	PMC BSTR 6/30 FW 181-210 WH	9124.7	120
PMC BSTR 5/36 FS 109-144 WH	9050.7	119	PMC BSTR 5/36 GS 4 WH	9092.7	119	PMC BSTR 6/30 FW 21-30 WH	9110.7	120
PMC BSTR 5/36 FS 13-24 WH	9038.7	119	PMC BSTR 5/36 GS 5 WH	9093.7	119	PMC BSTR 6/30 FW 211-240 WH	9125.7	120
PMC BSTR 5/36 FS 145-180 WH	9051.7	119	PMC BSTR 5/36 GS 6 WH	9094.7	119	PMC BSTR 6/30 FW 241-270 WH	9126.7	120
PMC BSTR 5/36 FS 181-216 WH	9052.7	119	PMC BSTR 5/36 GS 7 WH	9095.7	119	PMC BSTR 6/30 FW 271-300 WH	9127.7	120
PMC BSTR 5/36 FS 217-252 WH	9053.7	119	PMC BSTR 5/36 GS 8 WH	9096.7	119	PMC BSTR 6/30 FW 301-330 WH	9128.7	120
PMC BSTR 5/36 FS 25-36 WH	9039.7	119	PMC BSTR 5/36 GS 9 WH	9097.7	119	PMC BSTR 6/30 FW 31-40 WH	9111.7	120
PMC BSTR 5/36 FS 253-288 WH	9054.7	119	PMC BSTR 5/36 GS L1 WH	9101.7	119	PMC BSTR 6/30 FW 31-60 WH	9119.7	120
PMC BSTR 5/36 FS 289-324 WH	9055.7	119	PMC BSTR 5/36 GS L2 WH	9102.7	119	PMC BSTR 6/30 FW 331-360 WH	9129.7	120
PMC BSTR 5/36 FS 325-360 WH	9056.7	119	PMC BSTR 5/36 GS L3 WH	9103.7	119	PMC BSTR 6/30 FW 361-390 WH	9130.7	120
PMC BSTR 5/36 FS 361-396 WH	9057.7	119	PMC BSTR 5/36 GS N WH	9104.7	119	PMC BSTR 6/30 FW 391-420 WH	9131.7	120
PMC BSTR 5/36 FS 37-48 WH	9040.7	119	PMC BSTR 5/36 GS PE WH	9100.7	119	PMC BSTR 6/30 FW 41-50 WH	9112.7	120
PMC BSTR 5/36 FS 37-72 WH	9048.7	119	PMC BSTR 5/36 GS X WH	9099.7	119	PMC BSTR 6/30 FW 421-450 WH	9132.7	120
PMC BSTR 5/36 FS 397-432 WH	9058.7	119	PMC BSTR 5/36 GS - WH	9088.7	119	PMC BSTR 6/30 FW 451-480 WH	9133.7	120
PMC BSTR 5/36 FS 433-468 WH	9059.7	119	PMC BSTR 5/36 GS + WH	9087.7	119	PMC BSTR 6/30 FW 481-510 WH	9134.7	120
PMC BSTR 5/36 FS 469-504 WH	9060.7	119	PMC BSTR 5/36 GS 0 WH	9080.7	119	PMC BSTR 6/30 FW 51-60 WH	9113.7	120
PMC BSTR 5/36 FS 49-60 WH	9041.7	119	PMC BSTR 5/36 GS 1 WH	9071.7	119	PMC BSTR 6/30 FW 511-540 WH	9135.7	120
PMC BSTR 5/36 FS 505-540 WH	9061.7	119	PMC BSTR 5/36 GS 2 WH	9072.7	119	PMC BSTR 6/30 FW 541-570 WH	9136.7	120
PMC BSTR 5/36 FS 541-576 WH	9062.7	119	PMC BSTR 5/36 GS 3 WH	9073.7	119	PMC BSTR 6/30 FW 61-70 WH	9114.7	120
PMC BSTR 5/36 FS 577-612 WH	9063.7	119	PMC BSTR 5/36 GS 4 WH	9074.7	119	PMC BSTR 6/30 FW 61-90 WH	9120.7	120
PMC BSTR 5/36 FS 61-72 WH	9042.7	119	PMC BSTR 5/36 GS 5 WH	9075.7	119	PMC BSTR 6/30 FW 71-80 WH	9115.7	120
PMC BSTR 5/36 FS 613-648 WH	9064.7	119	PMC BSTR 5/36 GS 6 WH	9076.7	119	PMC BSTR 6/30 FW 81-90 WH	9116.7	120
PMC BSTR 5/36 FS 73-108 WH	9049.7	119	PMC BSTR 5/36 GS 7 WH	9077.7	119	PMC BSTR 6/30 FW 91-100 WH	9117.7	120
PMC BSTR 5/36 FS 73-84 WH	9043.7	119	PMC BSTR 5/36 GS 8 WH	9078.7	119	PMC BSTR 6/30 FW 91-120 WH	9121.7	120
PMC BSTR 5/36 FS 85-96 WH	9044.7	119	PMC BSTR 5/36 GS 9 WH	9079.7	119	PMC BSTR 6/30 FW L1,L2,L3,N,PE WH	9137.7	120
PMC BSTR 5/36 FS 97-108 WH	9045.7	119	PMC BSTR 5/36 GS L1 WH	9083.7	119	PMC BSTR 6/30 FW U1,V1,W1 WH	9139.7	120
PMC BSTR 5/36 FS L1,L2,L3,N,PE WH	9065.7	119	PMC BSTR 5/36 GS L2 WH	9084.7	119	PMC BSTR 6/30 FW U1,V1,W1,N,PE WH	9138.7	120
PMC BSTR 5/36 FS U1,V1,W1 WH	9067.7	119	PMC BSTR 5/36 GS L3 WH	9085.7	119	PMC BSTR 6/30 FW U2,V2,W2 WH	9141.7	120
PMC BSTR 5/36 FS U1,V1,W1,N,PE WH	9066.7	119	PMC BSTR 5/36 GS N WH	9086.7	119	PMC BSTR 6/30 FW U2,V2,W2,N,PE WH	9140.7	120
PMC BSTR 5/36 FS U2,V2,W2 WH	9069.7	119	PMC BSTR 5/36 GS X WH	9087.7	119	PMC BSTR 6/30 FW X1-X10 WH	9142.7	120
PMC BSTR 5/36 FS U2,V2,W2, N, PE WH	9068.7	119	PMC BSTR 5/36 MI So WH	9325.7	119	PMC BSTR 6/30 GS - WH	9211.7	120
PMC BSTR 5/36 FS X1-X12 WH	9070.7	119	PMC BSTR 5/36 MI WH	9324.7	119	PMC BSTR 6/30 GS 0 WH	9204.7	120
PMC BSTR 5/36 FW 1-12 WH	9002.7	119	PMC BSTR 5/36 So WH Mi	9001.7	119	PMC BSTR 6/30 GS 1 WH	9195.7	120
			PMC BSTR 5/36 WH	9000.7	119	PMC BSTR 6/30 GS 2 WH	9196.7	120
			PMC BSTR 6/30 FS 1-10 WH	9143.7	120			

Type	Cat. no.	Page	Type	Cat. no.	Page	Type	Cat. no.	Page
PMC BSTR 6/30 GS 3 WH	9197.7	120	PMC SB 4/50 FS 51-60 WH	4864.7	114	PMC SB 4/50 GW 1 WH	4895.7	114
PMC BSTR 6/30 GS 4 WH	9198.7	120	PMC SB 4/50 FS 551-600 WH	4880.7	114	PMC SB 4/50 GW 2 WH	4896.7	114
PMC BSTR 6/30 GS 5 WH	9199.7	120	PMC SB 4/50 FS 601-650 WH	4881.7	114	PMC SB 4/50 GW 3 WH	4897.7	114
PMC BSTR 6/30 GS 6 WH	9200.7	120	PMC SB 4/50 FS 61-70 WH	4865.7	114	PMC SB 4/50 GW 4 WH	4898.7	114
PMC BSTR 6/30 GS 7 WH	9201.7	120	PMC SB 4/50 FS 651-700 WH	4882.7	114	PMC SB 4/50 GW 5 WH	4899.7	114
PMC BSTR 6/30 GS 8 WH	9202.7	120	PMC SB 4/50 FS 701-750 WH	4883.7	114	PMC SB 4/50 GW 6 WH	4916.7	114
PMC BSTR 6/30 GS 9 WH	9203.7	120	PMC SB 4/50 FS 71-80 WH	4866.7	114	PMC SB 4/50 GW 7 WH	4917.7	114
PMC BSTR 6/30 GS L1 WH	9207.7	120	PMC SB 4/50 FS 751-800 WH	4884.7	114	PMC SB 4/50 GW 8 WH	4918.7	114
PMC BSTR 6/30 GS L2 WH	9208.7	120	PMC SB 4/50 FS 801-850 WH	4885.7	114	PMC SB 4/50 GW 9 WH	4919.7	114
PMC BSTR 6/30 GS L3 WH	9209.7	120	PMC SB 4/50 FS 81-90 WH	4867.7	114	PMC SB 4/50 GW L1 WH	4923.7	114
PMC BSTR 6/30 GS N WH	9210.7	120	PMC SB 4/50 FS 851-900 WH	4886.7	114	PMC SB 4/50 GW L2 WH	4924.7	114
PMC BSTR 6/30 GS PE WH	9206.7	120	PMC SB 4/50 FS 91-100 WH	4868.7	114	PMC SB 4/50 GW L3 WH	4925.7	114
PMC BSTR 6/30 GS X WH	9205.7	120	PMC SB 4/50 FS L1,L2,L3,N,PE WH	4887.7	114	PMC SB 4/50 GW N WH	4926.7	114
PMC BSTR 6/30 GW - WH	9194.7	120	PMC SB 4/50 FS U1,V1,W1 WH	4889.7	114	PMC SB 4/50 GW PE WH	4922.7	114
PMC BSTR 6/30 GW + WH	9193.7	120	PMC SB 4/50 FS U1,V1,W1,N,PE WH	4888.7	114	PMC SB 4/50 GW X WH	4921.7	114
PMC BSTR 6/30 GW 0 WH	9186.7	120	PMC SB 4/50 FS U2,V2,W2 WH	4891.7	114	PMC SB 4/50 So WH	4821.7	114
PMC BSTR 6/30 GW 1 WH	9177.7	120	PMC SB 4/50 FS U2,V2,W2,N,PE WH	4890.7	114	PMC SB 4/50 WH	4820.7	38, 39, 114
PMC BSTR 6/30 GW 2 WH	9178.7	120	PMC SB 4/50 FS X1-X10 WH	4892.7	114	PMC SB 5/50 FS 1-10 WH	4636.7	115
PMC BSTR 6/30 GW 3 WH	9179.7	120	PMC SB 4/50 FW 1-10 WH	4822.7	114	PMC SB 5/50 FS 1-50 WH	4646.7	115
PMC BSTR 6/30 GW 4 WH	9180.7	120	PMC SB 4/50 FW 1-50 WH	4832.7	114	PMC SB 5/50 FS 1,3,5-19 WH	4816.7	115
PMC BSTR 6/30 GW 5 WH	9181.7	120	PMC SB 4/50 FW 1,3,5-19 WH	4857.7	114	PMC SB 5/50 FS 101-150 WH	4648.7	115
PMC BSTR 6/30 GW 6 WH	9182.7	120	PMC SB 4/50 FW 101-150 WH	4834.7	114	PMC SB 5/50 FS 11-20 WH	4637.7	115
PMC BSTR 6/30 GW 7 WH	9183.7	120	PMC SB 4/50 FW 11-20 WH	4823.7	114	PMC SB 5/50 FS 151-200 WH	4649.7	115
PMC BSTR 6/30 GW 8 WH	9184.7	120	PMC SB 4/50 FW 151-200 WH	4835.7	114	PMC SB 5/50 FS 2,4,6-20 WH	4815.7	115
PMC BSTR 6/30 GW 9 WH	9185.7	120	PMC SB 4/50 FW 2,4,6-20 WH	4858.7	114	PMC SB 5/50 FS 201-250 WH	4650.7	115
PMC BSTR 6/30 GW L1 WH	9189.7	120	PMC SB 4/50 FW 201-250 WH	4836.7	114	PMC SB 5/50 FS 21-30 WH	4638.7	115
PMC BSTR 6/30 GW L2 WH	9190.7	120	PMC SB 4/50 FW 21-30 WH	4824.7	114	PMC SB 5/50 FS 251-300 WH	4651.7	115
PMC BSTR 6/30 GW L3 WH	9191.7	120	PMC SB 4/50 FW 251-300 WH	4837.7	114	PMC SB 5/50 FS 301-350 WH	4652.7	115
PMC BSTR 6/30 GW N WH	9192.7	120	PMC SB 4/50 FW 301-350 WH	4838.7	114	PMC SB 5/50 FS 31-40 WH	4639.7	115
PMC BSTR 6/30 GW PE WH	9188.7	120	PMC SB 4/50 FW 31-40 WH	4825.7	114	PMC SB 5/50 FS 351-400 WH	4653.7	115
PMC BSTR 6/30 GW X WH	9187.7	120	PMC SB 4/50 FW 351-400 WH	4839.7	114	PMC SB 5/50 FS 401-450 WH	4654.7	115
PMC BSTR 6/30 So WH	9107.7	120	PMC SB 4/50 FW 401-450 WH	4840.7	114	PMC SB 5/50 FS 41-50 WH	4640.7	115
PMC BSTR 6/30 WH	9106.7	111, 120	PMC SB 4/50 FW 41-50 WH	4826.7	114	PMC SB 5/50 FS 451-500 WH	4655.7	115
PMC BSTR 8x12/21 FS 1-105 WH	9430.7	121	PMC SB 4/50 FW 451-500 WH	4841.7	114	PMC SB 5/50 FS 501-550 WH	4656.7	115
PMC BSTR 8x12/21 FS 1-21 WH	9423.7	121	PMC SB 4/50 FW 501-550 WH	4842.7	114	PMC SB 5/50 FS 51-100 WH	4647.7	115
PMC BSTR 8x12/21 FS 1-42 WH	9428.7	121	PMC SB 4/50 FW 51-100 WH	4833.7	114	PMC SB 5/50 FS 51-60 WH	4641.7	115
PMC BSTR 8x12/21 FS 106-210 WH	9431.7	121	PMC SB 4/50 FW 51-60 WH	4827.7	114	PMC SB 5/50 FS 551-600 WH	4657.7	115
PMC BSTR 8x12/21 FS 22-42 WH	9424.7	121	PMC SB 4/50 FW 551-600 WH	4843.7	114	PMC SB 5/50 FS 601-650 WH	4658.7	115
PMC BSTR 8x12/21 FS 43-63 WH	9425.7	121	PMC SB 4/50 FW 601-650 WH	4844.7	114	PMC SB 5/50 FS 61-70 WH	4642.7	115
PMC BSTR 8x12/21 FS 43-84 WH	9429.7	121	PMC SB 4/50 FW 61-70 WH	4828.7	114	PMC SB 5/50 FS 651-700 WH	4659.7	115
PMC BSTR 8x12/21 FS 64-84 WH	9426.7	121	PMC SB 4/50 FW 651-700 WH	4845.7	114	PMC SB 5/50 FS 701-750 WH	4660.7	115
PMC BSTR 8x12/21 FS 84-105 WH	9427.7	121	PMC SB 4/50 FW 701-750 WH	4846.7	114	PMC SB 5/50 FS 71-80 WH	4643.7	115
PMC BSTR 8x12/21 FS L1,L2,L3,N,PE WH	9432.7	121	PMC SB 4/50 FW 71-80 WH	4829.7	114	PMC SB 5/50 FS 751-800 WH	4661.7	115
PMC BSTR 8x12/21 FW 1-105 WH	9420.7	121	PMC SB 4/50 FW 751-800 WH	4847.7	114	PMC SB 5/50 FS 801-850 WH	4662.7	115
PMC BSTR 8x12/21 FW 1-21 WH	9413.7	121	PMC SB 4/50 FW 801-850 WH	4848.7	114	PMC SB 5/50 FS 81-90 WH	4644.7	115
PMC BSTR 8x12/21 FW 1-42 WH	9418.7	121	PMC SB 4/50 FW 81-90 WH	4830.7	114	PMC SB 5/50 FS 851-900 WH	4663.7	115
PMC BSTR 8x12/21 FW 106-210 WH	9421.7	121	PMC SB 4/50 FW 851-900 WH	4849.7	114	PMC SB 5/50 FS 91-100 WH	4645.7	115
PMC BSTR 8x12/21 FW 22-42 WH	9414.7	121	PMC SB 4/50 FW 901-950 WH	4850.7	114	PMC SB 5/50 FS L1,L2,L3,N,PE WH	4664.7	115
PMC BSTR 8x12/21 FW 43-63 WH	9415.7	121	PMC SB 4/50 FW 91-100 WH	4831.7	114	PMC SB 5/50 FS U1,V1,W1 WH	4666.7	115
PMC BSTR 8x12/21 FW 43-84 WH	9419.7	121	PMC SB 4/50 FW 91-100 WH	4831.7	114	PMC SB 5/50 FS U1,V1,W1,N,PE WH	4665.7	115
PMC BSTR 8x12/21 FW 64-84 WH	9416.7	121	PMC SB 4/50 FW L1,L2,L3,N,PE WH	4851.7	114	PMC SB 5/50 FS U2,V2,W2 WH	4668.7	115
PMC BSTR 8x12/21 FW 85-105 WH	9417.7	121	PMC SB 4/50 FW U1,V1,W1 WH	4853.7	114	PMC SB 5/50 FS U2,V2,W2,N,PE WH	4667.7	115
PMC BSTR 8x12/21 FW L1,L2,L3,N,PE WH	9422.7	121	PMC SB 4/50 FW U1,V1,W1,N,PE WH	4852.7	114	PMC SB 5/50 FS X1-X10 WH	4669.7	115
PMC BSTR 8x12/21 So WH	9411.7	121	PMC SB 4/50 FW U2,V2,W2 WH	4855.7	114	PMC SB 5/50 FW 1-10 WH	4601.7	115
PMC BSTR 8x12/21 WH	9410.7	121	PMC SB 4/50 FW U2,V2,W2,N,PE WH	4854.7	114	PMC SB 5/50 FW 1-50 WH	4611.7	115
PMC SB 4/50 FS 1-10 WH	4859.7	114	PMC SB 4/50 FW X1-X10 WH	4856.7	114	PMC SB 5/50 FW 1,3,5-19 WH	4818.7	115
PMC SB 4/50 FS 1-50 WH	4869.7	114	PMC SB 4/50 GS - WH	4945.7	114	PMC SB 5/50 FW 101-150 WH	4613.7	115
PMC SB 4/50 FS 1,3,5-19 WH	4893.7	114	PMC SB 4/50 GS 0 WH	4938.7	114	PMC SB 5/50 FW 11-20 WH	4602.7	115
PMC SB 4/50 FS 101-150 WH	4871.7	114	PMC SB 4/50 GS 1 WH	4929.7	114	PMC SB 5/50 FW 151-200 WH	4614.7	115
PMC SB 4/50 FS 11-20 WH	4860.7	114	PMC SB 4/50 GS 2 WH	4930.7	114	PMC SB 5/50 FW 2,4,6-20 WH	4817.7	115
PMC SB 4/50 FS 151-200 WH	4872.7	114	PMC SB 4/50 GS 3 WH	4931.7	114	PMC SB 5/50 FW 201-250 WH	4615.7	115
PMC SB 4/50 FS 2,4,6-20 WH	4894.7	114	PMC SB 4/50 GS 4 WH	4932.7	114	PMC SB 5/50 FW 21-30 WH	4603.7	115
PMC SB 4/50 FS 201-250 WH	4873.7	114	PMC SB 4/50 GS 5 WH	4933.7	114	PMC SB 5/50 FW 251-300 WH	4616.7	115
PMC SB 4/50 FS 21-30 WH	4861.7	114	PMC SB 4/50 GS 6 WH	4934.7	114	PMC SB 5/50 FW 301-350 WH	4617.7	115
PMC SB 4/50 FS 251-300 WH	4874.7	114	PMC SB 4/50 GS 7 WH	4935.7	114	PMC SB 5/50 FW 31-40 WH	4604.7	115
PMC SB 4/50 FS 301-350 WH	4875.7	114	PMC SB 4/50 GS 8 WH	4936.7	114	PMC SB 5/50 FW 351-400 WH	4618.7	115
PMC SB 4/50 FS 31-40 WH	4862.7	114	PMC SB 4/50 GS 9 WH	4937.7	114	PMC SB 5/50 FW 401-450 WH	4619.7	115
PMC SB 4/50 FS 351-400 WH	4876.7	114	PMC SB 4/50 GS L1 WH	4941.7	114	PMC SB 5/50 FW 41-50 WH	4605.7	115
PMC SB 4/50 FS 401-450 WH	4877.7	114	PMC SB 4/50 GS L2 WH	4942.7	114	PMC SB 5/50 FW 451-500 WH	4620.7	115
PMC SB 4/50 FS 41-50 WH	4863.7	114	PMC SB 4/50 GS L3 WH	4943.7	114	PMC SB 5/50 FW 501-550 WH	4621.7	115
PMC SB 4/50 FS 451-500 WH	4878.7	114	PMC SB 4/50 GS N WH	4944.7	114	PMC SB 5/50 FW 51-100 WH	4612.7	115
PMC SB 4/50 FS 501-550 WH	4879.7	114	PMC SB 4/50 GS PE WH	4940.7	114	PMC SB 5/50 FW 51-60 WH	4606.7	115
PMC SB 4/50 FS 51-100 WH	4870.7	114	PMC SB 4/50 GS X WH	4939.7	114	PMC SB 5/50 FW 551-600 WH	4622.7	115
			PMC SB 4/50 GS - WH	4928.7	114	PMC SB 5/50 FW 601-650 WH	4623.7	115
			PMC SB 4/50 GW + WH	4927.7	114			
			PMC SB 4/50 GW 0 WH	4920.7	114			

Type	Cat. no.	Page	Type	Cat. no.	Page	Type	Cat. no.	Page
PMC SB 5/50 FW 61-70 WH	4607.7	115	PMC SB 6/50 FS 201-250 WH	4752.7	117	PMC SB 6/50 FW 381-390 WH	9240.7	116
PMC SB 5/50 FW 651-700 WH	4624.7	115	PMC SB 6/50 FS 21-30 WH	4740.7	116	PMC SB 6/50 FW 391-400 WH	9241.7	116
PMC SB 5/50 FW 701-750 WH	4625.7	115	PMC SB 6/50 FS 211-220 WH	9273.7	116	PMC SB 6/50 FW 401-410 WH	9242.7	116
PMC SB 5/50 FW 71-80 WH	4608.7	115	PMC SB 6/50 FS 221-230 WH	9274.7	117	PMC SB 6/50 FW 401-450 WH	4721.7	116
PMC SB 5/50 FW 751-800 WH	4626.7	115	PMC SB 6/50 FS 231-240 WH	9275.7	117	PMC SB 6/50 FW 41-50 WH	4707.7	116
PMC SB 5/50 FW 801-850 WH	4627.7	115	PMC SB 6/50 FS 241-250 WH	9276.7	117	PMC SB 6/50 FW 411-420 WH	9243.7	116
PMC SB 5/50 FW 81-90 WH	4609.7	115	PMC SB 6/50 FS 251-260 WH	9277.7	117	PMC SB 6/50 FW 421-430 WH	9244.7	116
PMC SB 5/50 FW 851-900 WH	4628.7	115	PMC SB 6/50 FS 251-300 WH	4753.7	117	PMC SB 6/50 FW 431-440 WH	9245.7	116
PMC SB 5/50 FW 901-950 WH	4629.7	115	PMC SB 6/50 FS 261-270 WH	9278.7	117	PMC SB 6/50 FW 441-450 WH	9246.7	116
PMC SB 5/50 FW U1,V1,W1 WH	4632.7	115	PMC SB 6/50 FS 271-280 WH	9279.7	117	PMC SB 6/50 FW 451-460 WH	9247.7	116
PMC SB 5/50 FW U1,V1,W1,N,PE WH	4631.7	115	PMC SB 6/50 FS 281-290 WH	9280.7	117	PMC SB 6/50 FW 451-500 WH	4722.7	116
PMC SB 5/50 FW U2,V2,W2 WH	4634.7	115	PMC SB 6/50 FS 291-300 WH	9281.7	117	PMC SB 6/50 FW 461-470 WH	9248.7	116
PMC SB 5/50 FW X1-X10 WH	4635.7	115	PMC SB 6/50 FS 301-350 WH	4754.7	117	PMC SB 6/50 FW 471-480 WH	9249.7	116
PMC SB 5/50 GS 0 WH	4695.7	115	PMC SB 6/50 FS 31-40 WH	4741.7	116	PMC SB 6/50 FW 481-490 WH	9250.7	116
PMC SB 5/50 GS 1 WH	4686.7	115	PMC SB 6/50 FS 351-400 WH	4755.7	117	PMC SB 6/50 FW 491-500 WH	9251.7	116
PMC SB 5/50 GS 2 WH	4687.7	115	PMC SB 6/50 FS 401-450 WH	4756.7	117	PMC SB 6/50 FW 501-510 WH	9252.7	116
PMC SB 5/50 GS 3 WH	4688.7	115	PMC SB 6/50 FS 41-50 WH	4742.7	116	PMC SB 6/50 FW 501-550 WH	4723.7	116
PMC SB 5/50 GS 4 WH	4689.7	115	PMC SB 6/50 FS 451-500 WH	4757.7	117	PMC SB 6/50 FW 51-100 WH	4714.7	116
PMC SB 5/50 GS 5 WH	4690.7	115	PMC SB 6/50 FS 501-550 WH	4758.7	117	PMC SB 6/50 FW 51-60 WH	4708.7	116
PMC SB 5/50 GS 6 WH	4691.7	115	PMC SB 6/50 FS 51-100 WH	4749.7	117	PMC SB 6/50 FW 511-520 WH	9253.7	116
PMC SB 5/50 GS 7 WH	4692.7	115	PMC SB 6/50 FS 51-60 WH	4743.7	116	PMC SB 6/50 FW 521-530 WH	9254.7	116
PMC SB 5/50 GS 8 WH	4693.7	115	PMC SB 6/50 FS 551-600 WH	4759.7	117	PMC SB 6/50 FW 531-540 WH	9255.7	116
PMC SB 5/50 GS 9 WH	4694.7	115	PMC SB 6/50 FS 601-650 WH	4760.7	117	PMC SB 6/50 FW 541-550 WH	9256.7	116
PMC SB 5/50 GS L1 WH	4698.7	115	PMC SB 6/50 FS 61-70 WH	4744.7	116	PMC SB 6/50 FW 551-560 WH	9257.7	116
PMC SB 5/50 GS L2 WH	4699.7	115	PMC SB 6/50 FS 651-700 WH	4761.7	117	PMC SB 6/50 FW 551-600 WH	4724.7	116
PMC SB 5/50 GS L3 WH	4700.7	115	PMC SB 6/50 FS 701-750 WH	4762.7	117	PMC SB 6/50 FW 561-570 WH	9258.7	116
PMC SB 5/50 GS N WH	4701.7	115	PMC SB 6/50 FS 71-80 WH	4745.7	116	PMC SB 6/50 FW 571-580 WH	9259.7	116
PMC SB 5/50 GS PE WH	4697.7	115	PMC SB 6/50 FS 751-800 WH	4763.7	117	PMC SB 6/50 FW 581-590 WH	9260.7	116
PMC SB 5/50 GS X WH	4696.7	115	PMC SB 6/50 FS 801-850 WH	4764.7	117	PMC SB 6/50 FW 591-600 WH	9261.7	116
PMC SB 5/50 GW - WH	4813.7	115	PMC SB 6/50 FS 81-90 WH	4746.7	116	PMC SB 6/50 FW 601-650 WH	4725.7	116
PMC SB 5/50 GW + WH	4814.7	115	PMC SB 6/50 FS 851-900 WH	4765.7	117	PMC SB 6/50 FW 61-70 WH	4709.7	116
PMC SB 5/50 GW 0 WH	4679.7	115	PMC SB 6/50 FS 91-100 WH	4747.7	116	PMC SB 6/50 FW 651-700 WH	4726.7	116
PMC SB 5/50 GW 1 WH	4670.7	115	PMC SB 6/50 FS L1,L2,L3,N,PE WH	4766.7	117	PMC SB 6/50 FW 701-750 WH	4727.7	116
PMC SB 5/50 GW 2 WH	4671.7	115	PMC SB 6/50 FS U1,V1,W1 WH	4768.7	117	PMC SB 6/50 FW 71-80 WH	4710.7	116
PMC SB 5/50 GW 3 WH	4672.7	115	PMC SB 6/50 FS U1,V1,W1,N,PE WH	4767.7	117	PMC SB 6/50 FW 751-800 WH	4728.7	116
PMC SB 5/50 GW 4 WH	4673.7	115	PMC SB 6/50 FS U2,V2,W2,N,PE WH	4769.7	117	PMC SB 6/50 FW 801-850 WH	4729.7	116
PMC SB 5/50 GW 5 WH	4674.7	115	PMC SB 6/50 FS X1-X10 WH	4771.7	117	PMC SB 6/50 FW 81-90 WH	4711.7	116
PMC SB 5/50 GW 6 WH	4675.7	115	PMC SB 6/50 FW 1-10 WH	4703.7	116	PMC SB 6/50 FW 851-900 WH	4730.7	116
PMC SB 5/50 GW 7 WH	4676.7	115	PMC SB 6/50 FW 1-50 WH	4713.7	116	PMC SB 6/50 FW 901-950 WH	4731.7	116
PMC SB 5/50 GW 8 WH	4677.7	115	PMC SB 6/50 FW 1,3,5-19 WH	4810.7	116	PMC SB 6/50 FW 91-100 WH	4712.7	115, 116
PMC SB 5/50 GW 9 WH	4678.7	115	PMC SB 6/50 FW 101-110 WH	9212.7	116	PMC SB 6/50 FW L1,L2,L3,N,PE WH	4732.7	116
PMC SB 5/50 GW L1 WH	4682.7	115	PMC SB 6/50 FW 101-150 WH	4715.7	116	PMC SB 6/50 FW U1,V1,W1 WH	4734.7	116
PMC SB 5/50 GW L2 WH	4683.7	115	PMC SB 6/50 FW 11-20 WH	4704.7	116	PMC SB 6/50 FW U1,V1,W1,N,PE WH	4733.7	116
PMC SB 5/50 GW L3 WH	4684.7	115	PMC SB 6/50 FW 111-120 WH	9213.7	116	PMC SB 6/50 FW U2,V2,W2 WH	4736.7	116
PMC SB 5/50 GW N WH	4685.7	115	PMC SB 6/50 FW 121-130 WH	9214.7	116	PMC SB 6/50 FW U2,V2,W2,N,PE WH	4735.7	116
PMC SB 5/50 GW PE WH	4681.7	115	PMC SB 6/50 FW 131-140 WH	9215.7	116	PMC SB 6/50 FW X1-X10 WH	4737.7	116
PMC SB 5/50 GW X WH	4680.7	115	PMC SB 6/50 FW 141-150 WH	9216.7	116	PMC SB 6/50 GS - WH	4804.7	117
PMC SB 5/50 So WH	4819.7	115	PMC SB 6/50 FW 151-160 WH	9217.7	116	PMC SB 6/50 GS 0 WH	4797.7	117
PMC SB 5/50 WH	4600.7	40, 41, 46-51, 56-59, 62, 63, 66, 72-75, 77, 94, 96, 97, 108, 109, 115	PMC SB 6/50 FW 151-200 WH	4716.7	116	PMC SB 6/50 GS 1 WH	4788.7	117
			PMC SB 6/50 FW 161-170 WH	9218.7	116	PMC SB 6/50 GS 2 WH	4789.7	117
			PMC SB 6/50 FW 171-180 WH	9219.7	116	PMC SB 6/50 GS 3 WH	4790.7	117
			PMC SB 6/50 FW 181-190 WH	9220.7	116	PMC SB 6/50 GS 4 WH	4791.7	117
			PMC SB 6/50 FW 191-200 WH	9221.7	116	PMC SB 6/50 GS 5 WH	4792.7	117
			PMC SB 6/50 FW 2,4,6-20 WH	4809.7	116	PMC SB 6/50 GS 6 WH	4793.7	117
			PMC SB 6/50 FW 201-210 WH	9222.7	116	PMC SB 6/50 GS 7 WH	4794.7	117
			PMC SB 6/50 FW 201-250 WH	4717.7	116	PMC SB 6/50 GS 8 WH	4795.7	117
			PMC SB 6/50 FW 21-30 WH	4705.7	116	PMC SB 6/50 GS 9 WH	4796.7	117
			PMC SB 6/50 FW 211-220 WH	9223.7	116	PMC SB 6/50 GS L1 WH	4800.7	117
			PMC SB 6/50 FW 221-230 WH	9224.7	116	PMC SB 6/50 GS L2 WH	4801.7	117
			PMC SB 6/50 FW 231-240 WH	9225.7	116	PMC SB 6/50 GS L3 WH	4802.7	117
			PMC SB 6/50 FW 241-250 WH	9226.7	116	PMC SB 6/50 GS N WH	4803.7	117
			PMC SB 6/50 FW 251-260 WH	9227.7	116	PMC SB 6/50 GS PE WH	4799.7	117
			PMC SB 6/50 FW 251-300 WH	4718.7	116	PMC SB 6/50 GS X WH	4798.7	117
			PMC SB 6/50 FW 261-270 WH	9228.7	116	PMC SB 6/50 GW - WH	4805.7	117
			PMC SB 6/50 FW 271-280 WH	9229.7	116	PMC SB 6/50 GW + WH	4806.7	117
			PMC SB 6/50 FW 281-290 WH	9230.7	116	PMC SB 6/50 GW 0 WH	4781.7	117
			PMC SB 6/50 FW 291-300 WH	9231.7	116	PMC SB 6/50 GW 1 WH	4772.7	117
			PMC SB 6/50 FW 301-350 WH	4719.7	116	PMC SB 6/50 GW 2 WH	4773.7	117
			PMC SB 6/50 FW 31-40 WH	4706.7	116	PMC SB 6/50 GW 3 WH	4774.7	117
			PMC SB 6/50 FW 311-320 WH	9233.7	116	PMC SB 6/50 GW 4 WH	4775.7	117
			PMC SB 6/50 FW 331-340 WH	9235.7	116	PMC SB 6/50 GW 5 WH	4776.7	117
			PMC SB 6/50 FW 341-350 WH	9236.7	116	PMC SB 6/50 GW 6 WH	4777.7	117
			PMC SB 6/50 FW 351-400 WH	4720.7	116	PMC SB 6/50 GW 7 WH	4778.7	117
			PMC SB 6/50 FW 361-370 WH	9238.7	116	PMC SB 6/50 GW 8 WH	4779.7	117
			PMC SB 6/50 FW 371-380 WH	9239.7	116			

Type	Cat. no.	Page	Type	Cat. no.	Page	Type	Cat. no.	Page
PMC SB 6/50 GW 9 WH	4780.7	117	PQI 10/2 RD	27162.9	20, 21, 87	PRK 1.5/2A OG	27000.3	12
PMC SB 6/50 GW L1 WH	4784.7	117	PQI 10/20 BU	27171.5	87	PRK 1.5/3A BU	27002.5	12
PMC SB 6/50 GW L2 WH	4785.7	117	PQI 10/20 RD	27171.9	20, 21, 87	PRK 1.5/3A GR	27002.6	12
PMC SB 6/50 GW L3 WH	4786.7	117	PQI 10/3 BU	27163.5	87	PRK 1.5/3A OG	27002.3	12
PMC SB 6/50 GW N WH	4787.7	117	PQI 10/3 RD	27163.9	20, 21, 87	PRK 1.5/4A BU	27004.5	13
PMC SB 6/50 GW PE WH	4783.7	117	PQI 10/4 BU	27164.5	87	PRK 1.5/4A GR	27004.6	13
PMC SB 6/50 GW X WH	4782.7	117	PQI 10/4 RD	27164.9	20, 21, 87	PRK 1.5/4A OG	27004.3	13
PMC SB 6/50 So WH	4811.7	116	PQI 10/5 BU	27165.5	87	PRK 10/2A BU	27024.5	20
PMC SB 6/50 WH	4702.7	42, 43, 53, 95, 116	PQI 10/5 RD	27165.9	20, 21, 87	PRK 10/2A GR	27024.6	20
PMC SB 7.5/40 So WH	3327.7	117	PQI 16/2 BU	27172.5	87	PRK 10/2A OG	27024.3	20
PMC SB 7.5/40 WH	9326.7	117	PQI 16/2 RD	27172.9	22, 23, 87	PRK 10/3A BU	27026.5	20
PMC SB 8/40 FS 1-40 WH	9286.7	118	PQI 2.5/10 BU	27140.5	86	PRK 10/3A GR	27026.6	20
PMC SB 8/40 FS 1-8 WH	9307.7	118	PQI 2.5/10 RD	27140.9	14, 15, 26, 27, 30, 31, 33, 86	PRK 10/3A OG	27026.3	20
PMC SB 8/40 FS 105-112 WH	9320.7	118	PQI 2.5/2 BU	27132.5	86	PRK 10/4A BU	27028.5	21
PMC SB 8/40 FS 113-120 WH	9321.7	118	PQI 2.5/2 RD	27132.9	14, 15, 26, 27, 30, 31, 33, 86	PRK 10/4A GR	27028.6	21
PMC SB 8/40 FS 17-24 WH	9309.7	118	PQI 2.5/20 BU	27141.5	86	PRK 10/4A OG	27028.3	21
PMC SB 8/40 FS 25-32 WH	9310.7	118	PQI 2.5/20 RD	27141.9	14, 15, 26, 27, 30, 31, 32, 86	PRK 16/2A BU	27030.5	22
PMC SB 8/40 FS 33-40 WH	9311.7	118	PQI 2.5/3 BU	27133.5	86	PRK 16/2A GR	27030.6	22
PMC SB 8/40 FS 41-48 WH	9312.7	118	PQI 2.5/3 RD	27133.9	14, 15, 26, 27, 30, 31, 33, 86	PRK 16/2A OG	27030.3	22
PMC SB 8/40 FS 41-80 WH	9287.7	118	PQI 4/10 BU	27150.5	86	PRK 16/3A BU	27032.5	22
PMC SB 8/40 FS 49-56 WH	9313.7	118	PQI 4/10 RD	27150.9	16, 17, 86	PRK 16/3A GR	27032.6	22
PMC SB 8/40 FS 57-64 WH	9314.7	118	PQI 4/2 BU	27142.5	86	PRK 16/3A OG	27032.3	22
PMC SB 8/40 FS 65-72 WH	9315.7	118	PQI 4/2 RD	27142.9	16, 17, 86	PRK 16/4A BU	27034.5	23
PMC SB 8/40 FS 73-80 WH	9316.7	118	PQI 4/20 BU	27151.5	86	PRK 16/4A GR	27034.6	23
PMC SB 8/40 FS 81-120 WH	9288.7	118	PQI 4/20 RD	27151.9	16, 17, 86	PRK 16/4A OG	27034.3	23
PMC SB 8/40 FS 81-88 WH	9317.7	118	PQI 4/3 BU	27143.5	86	PRK 2.5/2A BU	27006.5	14
PMC SB 8/40 FS 89-96 WH	9318.7	118	PQI 4/3 RD	27143.9	16, 17, 86	PRK 2.5/2A GR	27006.6	14
PMC SB 8/40 FS 9-16 WH	9308.7	118	PQI 4/4 BU	27144.5	86	PRK 2.5/2A OG	27006.3	14
PMC SB 8/40 FS 97-104 WH	9319.7	118	PQI 4/4 RD	27144.9	16, 17, 86	PRK 2.5/3A BU	27008.5	14
PMC SB 8/40 FW 1-40 WH	9289.7	118	PQI 4/5 BU	27145.5	86	PRK 2.5/3A GR	27008.6	14
PMC SB 8/40 FW 1-8 WH	9292.7	118	PQI 4/5 RD	27145.9	16, 17, 86	PRK 2.5/3A OG	27008.3	14
PMC SB 8/40 FW 105-112 WH	9304.7	118	PQI 6/10 BU	27160.5	87	PRK 2.5/4A BU	27010.5	15
PMC SB 8/40 FW 113-120 WH	9306.7	118	PQI 6/10 RD	27160.9	18, 19, 87	PRK 2.5/4A GR	27010.6	15
PMC SB 8/40 FW 17-24 WH	9294.7	118	PQI 6/2 BU	27152.5	87	PRK 2.5/4A OG	27010.3	15
PMC SB 8/40 FW 25-32 WH	9295.7	118	PQI 6/2 RD	27152.9	18, 19, 87	PRK 4/2A BU	27012.5	16
PMC SB 8/40 FW 33-40 WH	9296.7	118	PQI 6/20 BU	27161.5	87	PRK 4/2A GR	27012.6	16
PMC SB 8/40 FW 41-48 WH	9297.7	118	PQI 6/20 RD	27161.9	18, 19, 87	PRK 4/2A OG	27012.3	16
PMC SB 8/40 FW 41-80 WH	9290.7	118	PQI 6/3 BU	27153.5	87	PRK 4/3A BU	27014.5	16
PMC SB 8/40 FW 49-56 WH	9305.7	118	PQI 6/3 RD	27153.9	18, 19, 87	PRK 4/3A GR	27014.6	16
PMC SB 8/40 FW 57-64 WH	9298.7	118	PQI 6/4 BU	27154.5	87	PRK 4/3A OG	27014.3	16
PMC SB 8/40 FW 65-72 WH	9299.7	118	PQI 6/4 RD	27154.9	18, 19, 87	PRK 4/4A BU	27016.5	17
PMC SB 8/40 FW 73-80 WH	9300.7	118	PQI 6/5 BU	27155.5	87	PRK 4/4A GR	27016.6	17
PMC SB 8/40 FW 81-120 WH	9291.7	118	PRK 1.5/2A BU	27000.5	12	PRK 4/4A OG	27016.3	17
PMC SB 8/40 FW 81-88 WH	9301.7	118	PRK 1.5/2A GR	27000.6	12	PRK 6/2A BU	27018.5	18
PMC SB 8/40 FW 89-96 WH	9302.7	118				PRK 6/2A GR	27018.6	18
PMC SB 8/40 FW 9-16 WH	9293.7	118				PRK 6/2A OG	27018.3	18
PMC SB 8/40 FW 97-104 WH	9303.7	118				PRK 6/3A BU	27020.5	18
PMC SB 8/40 So WH	9322.7	118				PRK 6/3A GR	27020.6	18
PMC SB 8/40 WH	9323.7	43, 67, 68, 69, 118				PRK 6/3A OG	27020.3	18
PQI 1.5/10 BU	27130.5	86				PRK 6/4A BU	27022.5	19
PQI 1.5/10 RD	27130.9	12, 13, 86				PRK 6/4A GR	27022.6	19
PQI 1.5/2 BU	27122.5	86				PRK 6/4A OG	27022.3	19
PQI 1.5/2 RD	27122.9	12, 13, 86				PRKD 2.5 BU	27036.5	26
PQI 1.5/20 BU	27131.5	86				PRKD 2.5 GR	27036.6	26
PQI 1.5/20 RD	27131.9	12, 13, 86				PRKD 2.5 OG	27036.3	26
PQI 1.5/3 BU	27123.5	86				PRKD 2.5/PE/L GR	27051.6	27
PQI 1.5/3 RD	27123.9	12, 13, 86				PRKD 2.5/PE/N GR	27052.6	27
PQI 1.5/4 BU	27124.5	86				PRKD 2.5/SV BU	27038.5	26
PQI 1.5/4 RD	27124.9	12, 13, 86				PRKD 2.5/SV GR	27038.6	26
PQI 1.5/5 BU	27125.5	86				PRKD 2.5/SV OG	27038.3	26
PQI 10/10 BU	27170.5	87				PS 2.3	2007.0	12-23, 95
PQI 10/10 RD	27170.9	20, 21, 87				PSL 1.5/2A GNYE	27001.2	12
PQI 10/2 BU	27162.5	87				PSL 1.5/3A GNYE	27003.2	13
						PSL 1.5/4A GNYE	27005.2	13
						PSL 10/2A GNYE	27025.2	20
						PSL 10/3A GNYE	27027.2	21
						PSL 10/4A GNYE	27029.2	21
						PSL 16/2A GNYE	27031.2	22
						PSL 16/3A GNYE	27033.2	23
						PSL 16/4A GNYE	27035.2	23
						PSL 2.5/2A GNYE	27007.2	14
						PSL 2.5/3A GNYE	27009.2	15
						PSL 2.5/4A GNYE	27011.2	15
						PSL 4/2A GNYE	27013.2	16

Type	Cat. no.	Page
PSL 4/3A GNYE	27015.2	17
PSL 4/4A GNYE	27017.2	17
PSL 6/2A GNYE	27019.2	18
PSL 6/3A GNYE	27021.2	19
PSL 6/4A GNYE	27023.2	19
PSLD 2.5 GNYE	27037.2	26
PVMAK 2.5 GR	27046.6	33
PVMAK 2.5/SV GR	27047.6	33

R

RK-Safe-Box TS 35/100 BK	17690.4	111
--------------------------	---------	-----

S

SB 4/50 GW 43	2102.0043	127
SB 4/50 GW 43	2432.0043	125
SB 5/10 FS 1-10	2433.0001	124
SB 5/10 FS 11-20	2433.0002	124
SB 5/10 FS 21-30	2433.0003	124
SB 5/10 FS 31-40	2433.0004	124
SB 5/10 FS 41-50	2433.0005	124
SB 5/10 FS 51-60	2433.0006	124
SB 5/10 FS 61-70	2433.0007	124
SB 5/10 FS 71-80	2433.0008	124
SB 5/10 FS 81-90	2433.0009	124
SB 5/10 FS 91-100	2433.0010	124
SB 5/10 FS L1;L2;L3;N;Earth with circle WH	2473.0004	124
SB 5/10 FS L1;L2;L3;N;PE WH	2473.0003	124
SB 5/10 FS R;S;T;N;Earth with circle WH	2473.0002	124
SB 5/10 FS R1;S1;T1 WH	2472.0011	124
SB 5/10 FS R10;S10;T10 WH	2472.0020	124
SB 5/10 FS R2;S2;T2 WH	2472.0012	124
SB 5/10 FS R3;S3;T3 WH	2472.0013	124
SB 5/10 FS R4;S4;T4 WH	2472.0014	124
SB 5/10 FS R5;S5;T5 WH	2472.0015	124
SB 5/10 FS R6;S6;T6 WH	2472.0016	124
SB 5/10 FS R7;S7;T7 WH	2472.0017	124
SB 5/10 FS R8;S8;T8 WH	2472.0018	124
SB 5/10 FS R9;S9;T9 WH	2472.0019	124
SB 5/10 FS U;V;W;N;PE WH	2473.0001	124
SB 5/10 FS U1;V1;W1 WH	2472.0021	124
SB 5/10 FS U10;V10;W10 WH	2472.0030	124
SB 5/10 FS U2;V2;W2 WH	2472.0022	124
SB 5/10 FS U3;V3;W3 WH	2472.0023	124
SB 5/10 FS U4;V4;W4 WH	2472.0024	124
SB 5/10 FS U5;V5;W5 WH	2472.0025	124
SB 5/10 FS U6;V6;W6 WH	2472.0026	124
SB 5/10 FS U7;V7;W7 WH	2472.0027	124
SB 5/10 FS U8;V8;W8 WH	2472.0028	124
SB 5/10 FS U9;V9;W9 WH	2472.0029	124
SB 5/10 FS X1;Y1;Z1 WH	2472.0001	124
SB 5/10 FS X10;Y10;Z10 WH	2472.0010	124
SB 5/10 FS X2;Y2;Z2 WH	2472.0002	124
SB 5/10 FS X3;Y3;Z3 WH	2472.0003	124
SB 5/10 FS X4;Y4;Z4 WH	2472.0004	124
SB 5/10 FS X5;Y5;Z5 WH	2472.0005	124
SB 5/10 FS X6;Y6;Z6 WH	2472.0006	124
SB 5/10 FS X7;Y7;Z7 WH	2472.0007	124
SB 5/10 FS X8;Y8;Z8 WH	2472.0008	124
SB 5/10 FS X9;Y9;Z9 WH	2472.0009	124
SB 5/10 FW 1-10	2431.0001	124
SB 5/10 FW 11-20	2431.0002	124
SB 5/10 FW 21-30	2431.0003	124
SB 5/10 FW 31-40	2431.0004	124
SB 5/10 FW 41-50	2431.0005	124
SB 5/10 FW 51-60	2431.0006	124
SB 5/10 FW 61-70	2431.0008	124
SB 5/10 FW 71-80	2431.0009	124
SB 5/10 FW 81-90	2431.0010	124
SB 5/10 FW L1;L2;L3;N;Earth with circle WH	2471.0004	124
SB 5/10 FW L1;L2;L3;N;PE WH	2471.0003	124

Type	Cat. no.	Page
SB 5/10 FW R;S;T;N;Earth with circle WH	2471.0002	124
SB 5/10 FW R1; S1; T1	2404.0011	124
SB 5/10 FW R10; S10; T10	2404.0020	124
SB 5/10 FW R2; S2; T2	2404.0012	124
SB 5/10 FW R3; S3; T3	2404.0013	124
SB 5/10 FW R4; S4; T4	2404.0014	124
SB 5/10 FW R5; S5; T5	2404.0015	124
SB 5/10 FW R6; S6; T6	2404.0016	124
SB 5/10 FW R7; S7; T7	2404.0017	124
SB 5/10 FW R8; S8; T8	2404.0018	124
SB 5/10 FW R9; S9; T9	2404.0019	124
SB 5/10 FW U;V;W;N;PE WH	2471.0001	124
SB 5/10 FW U1; V1; W1	2404.0021	124
SB 5/10 FW U10; V10; W10	2404.0030	124
SB 5/10 FW U2; V-2; W2	2404.0022	124
SB 5/10 FW U3; V3; W3	2404.0023	124
SB 5/10 FW U4; V4; W4	2404.0024	124
SB 5/10 FW U5; V5; W5	2404.0025	124
SB 5/10 FW U6; V6; W6	2404.0026	124
SB 5/10 FW U7; V7; W7	2404.0027	124
SB 5/10 FW U8; V8; W8	2404.0028	124
SB 5/10 FW U9; V9; W9	2404.0029	124
SB 5/10 FW X1; Y1; Z1	2404.0001	124
SB 5/10 FW X10; Y10; Z10	2404.0010	124
SB 5/10 FW X2; Y2; Z2	2404.0002	124
SB 5/10 FW X3; Y3; Z3	2404.0003	124
SB 5/10 FW X4; Y4; Z4	2404.0004	124
SB 5/10 FW X5; Y5; Z5	2404.0005	124
SB 5/10 FW X6; Y6; Z6	2404.0006	124
SB 5/10 FW X7; Y7; Z7	2404.0007	124
SB 5/10 FW X8; Y8; Z8	2404.0008	124
SB 5/10 FW X9; Y9; Z9	2404.0009	124
SB 5/10 GS - WH	2475.0035	125
SB 5/10 GS + WH	2475.0034	125
SB 5/10 GS ~ WH	2475.0036	125
SB 5/10 GS 1	2434.0001	125
SB 5/10 GS 10	2434.0010	125
SB 5/10 GS 100 WH	2434.0100	125
SB 5/10 GS 11	2434.0011	125
SB 5/10 GS 12	2434.0012	125
SB 5/10 GS 13	2434.0013	125
SB 5/10 GS 14	2434.0014	125
SB 5/10 GS 15	2434.0015	125
SB 5/10 GS 16	2434.0016	125
SB 5/10 GS 17	2434.0017	125
SB 5/10 GS 18	2434.0018	125
SB 5/10 GS 19	2434.0019	125
SB 5/10 GS 2	2434.0002	125
SB 5/10 GS 20	2434.0020	125
SB 5/10 GS 21	2434.0021	125
SB 5/10 GS 22	2434.0022	125
SB 5/10 GS 23	2434.0023	125
SB 5/10 GS 24	2434.0024	125
SB 5/10 GS 25	2434.0025	125
SB 5/10 GS 26	2434.0026	125
SB 5/10 GS 27	2434.0027	125
SB 5/10 GS 28	2434.0028	125
SB 5/10 GS 29	2434.0029	125
SB 5/10 GS 3	2434.0003	125
SB 5/10 GS 30	2434.0030	125
SB 5/10 GS 31	2434.0031	125
SB 5/10 GS 32	2434.0032	125
SB 5/10 GS 33	2434.0033	125
SB 5/10 GS 34	2434.0034	125
SB 5/10 GS 35	2434.0035	125
SB 5/10 GS 36	2434.0036	125
SB 5/10 GS 37	2434.0037	125
SB 5/10 GS 38	2434.0038	125
SB 5/10 GS 39	2434.0039	125
SB 5/10 GS 4	2434.0004	125
SB 5/10 GS 40	2434.0040	125
SB 5/10 GS 41	2434.0041	125
SB 5/10 GS 42	2434.0042	125
SB 5/10 GS 43	2434.0043	125

Type	Cat. no.	Page
SB 5/10 GS 44	2434.0044	125
SB 5/10 GS 45	2434.0045	125
SB 5/10 GS 46	2434.0046	125
SB 5/10 GS 47	2434.0047	125
SB 5/10 GS 48	2434.0048	125
SB 5/10 GS 49	2434.0049	125
SB 5/10 GS 5	2434.0005	125
SB 5/10 GS 50	2434.0050	125
SB 5/10 GS 51	2434.0051	125
SB 5/10 GS 52	2434.0052	125
SB 5/10 GS 53	2434.0053	125
SB 5/10 GS 54	2434.0054	125
SB 5/10 GS 55	2434.0055	125
SB 5/10 GS 56	2434.0056	125
SB 5/10 GS 57	2434.0057	125
SB 5/10 GS 58	2434.0058	125
SB 5/10 GS 59	2434.0059	125
SB 5/10 GS 6	2434.0006	125
SB 5/10 GS 60	2434.0060	125
SB 5/10 GS 61	2434.0061	125
SB 5/10 GS 62	2434.0062	125
SB 5/10 GS 63	2434.0063	125
SB 5/10 GS 64	2434.0064	125
SB 5/10 GS 65	2434.0065	125
SB 5/10 GS 66	2434.0066	125
SB 5/10 GS 67	2434.0067	125
SB 5/10 GS 68	2434.0068	125
SB 5/10 GS 69	2434.0069	125
SB 5/10 GS 7	2434.0007	125
SB 5/10 GS 70	2434.0070	125
SB 5/10 GS 71	2434.0071	125
SB 5/10 GS 72	2434.0072	125
SB 5/10 GS 73	2434.0073	125
SB 5/10 GS 74	2434.0074	125
SB 5/10 GS 75	2434.0075	125
SB 5/10 GS 76	2434.0076	125
SB 5/10 GS 77	2434.0077	125
SB 5/10 GS 78	2434.0078	125
SB 5/10 GS 79	2434.0079	125
SB 5/10 GS 8	2434.0008	125
SB 5/10 GS 80	2434.0080	125
SB 5/10 GS 81	2434.0081	125
SB 5/10 GS 82	2434.0082	125
SB 5/10 GS 83	2434.0083	125
SB 5/10 GS 84	2434.0084	125
SB 5/10 GS 85	2434.0085	125
SB 5/10 GS 86 WH	2434.0086	125
SB 5/10 GS 87 WH	2434.0087	125
SB 5/10 GS 88 WH	2434.0088	125
SB 5/10 GS 89 WH	2434.0089	125
SB 5/10 GS 9	2434.0009	125
SB 5/10 GS 90 WH	2434.0090	125
SB 5/10 GS 91 WH	2434.0091	125
SB 5/10 GS 92 WH	2434.0092	125
SB 5/10 GS 93 WH	2434.0093	125
SB 5/10 GS 94 WH	2434.0094	125
SB 5/10 GS 95 WH	2434.0095	125
SB 5/10 GS 96 WH	2434.0096	125
SB 5/10 GS 97 WH	2434.0097	125
SB 5/10 GS 98 WH	2434.0098	125
SB 5/10 GS 99 WH	2434.0099	125
SB 5/10 GS A WH	2475.0001	125
SB 5/10 GS B WH	2475.0002	125
SB 5/10 GS C WH	2475.0003	125
SB 5/10 GS D WH	2475.0004	125
SB 5/10 GS E WH	2475.0005	125
SB 5/10 GS Earth with circle	2475.0038	125
SB 5/10 GS Earth WH	2475.0037	125
SB 5/10 GS F WH	2475.0006	125
SB 5/10 GS G WH	2475.0007	125
SB 5/10 GS H WH	2475.0008	125
SB 5/10 GS I WH	2475.0009	125
SB 5/10 GS J WH	2475.0010	125
SB 5/10 GS K WH	2475.0011	125
SB 5/10 GS L WH	2475.0012	125

Type	Cat. no.	Page	Type	Cat. no.	Page	Type	Cat. no.	Page
SB 5/10 GS M WH	2475.0013	125	SB 5/10 GW 56	2432.0056	125	SB 5/10 GW T1 WH	2474.0031	125
SB 5/10 GS MP WH	2475.0029	125	SB 5/10 GW 57	2432.0057	125	SB 5/10 GW T2 WH	2474.0032	125
SB 5/10 GS N WH	2475.0014	125	SB 5/10 GW 58	2432.0058	125	SB 5/10 GW T3 WH	2474.0033	125
SB 5/10 GS O WH	2475.0015	125	SB 5/10 GW 59	2432.0059	125	SB 5/10 GW U WH	2474.0021	125
SB 5/10 GS P WH	2475.0016	125	SB 5/10 GW 6	2432.0006	124	SB 5/10 GW V WH	2474.0022	125
SB 5/10 GS PE WH	2475.0027	125	SB 5/10 GW 60	2432.0060	125	SB 5/10 GW W WH	2474.0023	125
SB 5/10 GS PEN WH	2475.0028	125	SB 5/10 GW 61	2432.0061	125	SB 5/10 GW X WH	2474.0024	125
SB 5/10 GS Q WH	2475.0017	125	SB 5/10 GW 62	2432.0062	125	SB 5/10 GW Y WH	2474.0025	125
SB 5/10 GS R WH	2475.0018	125	SB 5/10 GW 63	2432.0063	125	SB 5/10 GW Z WH	2474.0026	125
SB 5/10 GS S WH	2475.0019	125	SB 5/10 GW 64	2432.0064	125	SB 5/10 So WH	2431.7	124
SB 5/10 GS SL WH	2475.0030	125	SB 5/10 GW 65	2432.0065	125	SB 5/10 WH	2430.0	124
SB 5/10 GS T WH	2475.0020	125	SB 5/10 GW 66	2432.0066	125	SB 6/10 FS 1-10	2037.0001	126
SB 5/10 GS T1 WH	2475.0031	125	SB 5/10 GW 67	2432.0067	125	SB 6/10 FS 11-20	2037.0002	126
SB 5/10 GS T2 WH	2475.0032	125	SB 5/10 GW 68	2432.0068	125	SB 6/10 FS 21-30	2037.0003	126
SB 5/10 GS T3 WH	2475.0033	125	SB 5/10 GW 69	2432.0069	125	SB 6/10 FS 31-40	2037.0004	126
SB 5/10 GS U WH	2475.0021	125	SB 5/10 GW 7	2432.0007	124	SB 6/10 FS 41-50	2037.0005	126
SB 5/10 GS V WH	2475.0022	125	SB 5/10 GW 70	2432.0070	125	SB 6/10 FS 51-60	2037.0006	126
SB 5/10 GS W WH	2475.0023	125	SB 5/10 GW 71	2432.0071	125	SB 6/10 FS 61-70	2037.0007	126
SB 5/10 GS X WH	2475.0024	125	SB 5/10 GW 72	2432.0072	125	SB 6/10 FS 71-80	2037.0008	126
SB 5/10 GS Y WH	2475.0025	125	SB 5/10 GW 73	2432.0073	125	SB 6/10 FS 81-90	2037.0009	126
SB 5/10 GS Z WH	2475.0026	125	SB 5/10 GW 74	2432.0074	125	SB 6/10 FS 91-100	2037.0010	126
SB 5/10 GW - WH	2474.0035	125	SB 5/10 GW 75	2432.0075	125	SB 6/10 FS L1; L2; L3; N; PE	2149.0003	126
SB 5/10 GW + WH	2474.0034	125	SB 5/10 GW 76	2432.0076	125	SB 6/10 FS R; S; T; N; Earth	2149.0002	126
SB 5/10 GW ~ WH	2474.0036	125	SB 5/10 GW 77	2432.0077	125	with circle		
SB 5/10 GW 1	2432.0001	124	SB 5/10 GW 78	2432.0078	125	SB 6/10 FS R1;S1;T1 WH	2990.0011	126
SB 5/10 GW 10	2432.0010	124	SB 5/10 GW 79	2432.0079	125	SB 6/10 FS R10;S10;T10 WH	2990.0020	126
SB 5/10 GW 100	2432.0100	125	SB 5/10 GW 8	2432.0008	124	SB 6/10 FS R2;S2;T2 WH	2990.0012	126
SB 5/10 GW 11	2432.0011	124	SB 5/10 GW 80	2432.0080	125	SB 6/10 FS R3;S3;T3 WH	2990.0013	126
SB 5/10 GW 12	2432.0012	124	SB 5/10 GW 81	2432.0081	125	SB 6/10 FS R4;S4;T4 WH	2990.0014	126
SB 5/10 GW 13	2432.0013	124	SB 5/10 GW 82	2432.0082	125	SB 6/10 FS R5;S5;T5 WH	2990.0015	126
SB 5/10 GW 14	2432.0014	124	SB 5/10 GW 83	2432.0083	125	SB 6/10 FS R6;S6;T6 WH	2990.0016	126
SB 5/10 GW 15	2432.0015	124	SB 5/10 GW 84	2432.0084	125	SB 6/10 FS R7;S7;T7 WH	2990.0017	126
SB 5/10 GW 16	2432.0016	124	SB 5/10 GW 85	2432.0085	125	SB 6/10 FS R8;S8;T8 WH	2990.0018	126
SB 5/10 GW 17	2432.0017	124	SB 5/10 GW 86	2432.0086	125	SB 6/10 FS R9;S9;T9 WH	2990.0019	126
SB 5/10 GW 18	2432.0018	124	SB 5/10 GW 87	2432.0087	125	SB 6/10 FS U; V; W; N; PE	2149.0001	126
SB 5/10 GW 19	2432.0019	124	SB 5/10 GW 88	2432.0088	125	SB 6/10 FS U1;V1;W1 WH	2990.0021	126
SB 5/10 GW 2	2432.0002	124	SB 5/10 GW 89	2432.0089	125	SB 6/10 FS U10;V10;W10	2990.0030	126
SB 5/10 GW 20	2432.0020	124	SB 5/10 GW 9	2432.0009	124	WH		
SB 5/10 GW 21	2432.0021	125	SB 5/10 GW 90	2432.0090	125	SB 6/10 FS U2;V2;W2 WH	2990.0022	126
SB 5/10 GW 22	2432.0022	125	SB 5/10 GW 91	2432.0091	125	SB 6/10 FS U3;V3;W3 WH	2990.0023	126
SB 5/10 GW 23	2432.0023	125	SB 5/10 GW 92	2432.0092	125	SB 6/10 FS U4;V4;W4 WH	2990.0024	126
SB 5/10 GW 24	2432.0024	125	SB 5/10 GW 93	2432.0093	125	SB 6/10 FS U5;V5;W5 WH	2990.0025	126
SB 5/10 GW 25	2432.0025	125	SB 5/10 GW 94	2432.0094	125	SB 6/10 FS U6;V6;W6 WH	2990.0026	126
SB 5/10 GW 26	2432.0026	125	SB 5/10 GW 95	2432.0095	125	SB 6/10 FS U7;V7;W7 WH	2990.0027	126
SB 5/10 GW 27	2432.0027	125	SB 5/10 GW 96	2432.0096	125	SB 6/10 FS U8;V8;W8 WH	2990.0028	126
SB 5/10 GW 28	2432.0028	125	SB 5/10 GW 97	2432.0097	125	SB 6/10 FS U9;V9;W9 WH	2990.0029	126
SB 5/10 GW 29	2432.0029	125	SB 5/10 GW 98	2432.0098	125	SB 6/10 FS X1;Y1;Z1 WH	2990.0001	126
SB 5/10 GW 3	2432.0003	124	SB 5/10 GW 99	2432.0099	125	SB 6/10 FS X10;Y10;Z10 WH	2990.0010	126
SB 5/10 GW 30	2432.0030	125	SB 5/10 GW A WH	2474.0001	125	SB 6/10 FS X2;Y2;Z2 WH	2990.0002	126
SB 5/10 GW 31	2432.0031	125	SB 5/10 GW B WH	2474.0002	125	SB 6/10 FS X3;Y3;Z3 WH	2990.0003	126
SB 5/10 GW 32	2432.0032	125	SB 5/10 GW C WH	2474.0003	125	SB 6/10 FS X4;Y4;Z4 WH	2990.0004	126
SB 5/10 GW 33	2432.0033	125	SB 5/10 GW D WH	2474.0004	125	SB 6/10 FS X5;Y5;Z5 WH	2990.0005	126
SB 5/10 GW 34	2432.0034	125	SB 5/10 GW E WH	2474.0005	125	SB 6/10 FS X6;Y6;Z6 WH	2990.0006	126
SB 5/10 GW 35	2432.0035	125	SB 5/10 GW Earth with	2474.0038	125	SB 6/10 FS X7;Y7;Z7 WH	2990.0007	126
SB 5/10 GW 36	2432.0036	125	circle WH			SB 6/10 FS X8;Y8;Z8 WH	2990.0008	126
SB 5/10 GW 37	2432.0037	125	SB 5/10 GW Earth without	2474.0037	125	SB 6/10 FS X9;Y9;Z9 WH	2990.0009	126
SB 5/10 GW 38	2432.0038	125	circle WH			SB 6/10 FW 1-10	2036.0001	126
SB 5/10 GW 39	2432.0039	125	SB 5/10 GW F WH	2474.0006	125	SB 6/10 FW 11-20	2036.0002	126
SB 5/10 GW 4	2432.0004	124	SB 5/10 GW G WH	2474.0007	125	SB 6/10 FW 21-30	2036.0003	126
SB 5/10 GW 40	2432.0040	125	SB 5/10 GW H WH	2474.0008	125	SB 6/10 FW 31-40	2036.0004	126
SB 5/10 GW 41	2432.0041	125	SB 5/10 GW I WH	2474.0009	125	SB 6/10 FW 41-50	2036.0005	126
SB 5/10 GW 42	2432.0042	125	SB 5/10 GW J WH	2474.0010	125	SB 6/10 FW 51-60	2036.0006	126
SB 5/10 GW 44	2432.0044	125	SB 5/10 GW K WH	2474.0011	125	SB 6/10 FW 61-70	2036.0007	126
SB 5/10 GW 45	2432.0045	125	SB 5/10 GW L WH	2474.0012	125	SB 6/10 FW 71-80	2036.0008	126
SB 5/10 GW 46	2432.0046	125	SB 5/10 GW M WH	2474.0013	125	SB 6/10 FW 81-90	2036.0009	126
SB 5/10 GW 47	2432.0047	125	SB 5/10 GW MP WH	2474.0029	125	SB 6/10 FW 91-100	2036.0010	126
SB 5/10 GW 48	2432.0048	125	SB 5/10 GW N WH	2474.0014	125	SB 6/10 FW L1; L2; L3; N;	2040.0004	126
SB 5/10 GW 49	2432.0049	125	SB 5/10 GW O WH	2474.0015	125	Earth with circle		
SB 5/10 GW 5	2432.0005	124	SB 5/10 GW P WH	2474.0016	125	SB 6/10 FW L1; L2; L3; N; PE	2040.0003	126
SB 5/10 GW 50	2432.0050	125	SB 5/10 GW PE WH	2474.0027	125	SB 6/10 FW R; S; T; N; Earth	2040.0002	126
SB 5/10 GW 51	2432.0051	125	SB 5/10 GW PEN WH	2474.0028	125	with circle		
SB 5/10 GW 52	2432.0052	125	SB 5/10 GW Q WH	2474.0017	125	SB 6/10 FW R1;S1;T1 WH	2989.0011	126
SB 5/10 GW 53	2432.0053	125	SB 5/10 GW R WH	2474.0018	125	SB 6/10 FW R10;S10;T10	2989.0020	126
SB 5/10 GW 54	2432.0054	125	SB 5/10 GW S WH	2474.0019	125	WH		
SB 5/10 GW 55	2432.0055	125	SB 5/10 GW SL WH	2474.0030	125	SB 6/10 FW R2;S2;T2 WH	2989.0012	126
			SB 5/10 GW T WH	2474.0020	125	SB 6/10 FW R3;S3;T3 WH	2989.0013	126

Type	Cat. no.	Page	Type	Cat. no.	Page	Type	Cat. no.	Page
SB 6/10 FW R4;S4;T4 WH	2989.0014	126	SB 6/10 GS 49	2103.0049	127	SB 6/10 GS PE	2161.0027	127
SB 6/10 FW R5;S5;T5 WH	2989.0015	126	SB 6/10 GS 5	2103.0005	127	SB 6/10 GS PEN	2161.0028	127
SB 6/10 FW R6;S6;T6 WH	2989.0016	126	SB 6/10 GS 50	2103.0050	127	SB 6/10 GS Q	2161.0017	127
SB 6/10 FW R7;S7;T7 WH	2989.0017	126	SB 6/10 GS 51	2103.0051	127	SB 6/10 GS R	2161.0018	127
SB 6/10 FW R8;S8;T8 WH	2989.0018	126	SB 6/10 GS 52	2103.0052	127	SB 6/10 GS S	2161.0019	127
SB 6/10 FW R9;S9;T9 WH	2989.0019	126	SB 6/10 GS 53	2103.0053	127	SB 6/10 GS SL	2161.0030	127
SB 6/10 FW U; V; W; N; PE	2040.0001	126	SB 6/10 GS 54	2103.0054	127	SB 6/10 GS T	2161.0020	127
SB 6/10 FW U1;V1;W1 WH	2989.0021	126	SB 6/10 GS 55	2103.0055	127	SB 6/10 GS T1	2161.0031	127
SB 6/10 FW U10;V10;W10 WH	2989.0030	126	SB 6/10 GS 56	2103.0056	127	SB 6/10 GS T2	2161.0032	127
SB 6/10 FW U2;V2;W2 WH	2989.0022	126	SB 6/10 GS 57	2103.0057	127	SB 6/10 GS T3	2161.0033	127
SB 6/10 FW U3;V3;W3 WH	2989.0023	126	SB 6/10 GS 58	2103.0058	127	SB 6/10 GS U	2161.0021	127
SB 6/10 FW U4;V4;W4 WH	2989.0024	126	SB 6/10 GS 59	2103.0059	127	SB 6/10 GS V	2161.0022	127
SB 6/10 FW U5;V5;W5 WH	2989.0025	126	SB 6/10 GS 6	2103.0006	127	SB 6/10 GS W	2161.0023	127
SB 6/10 FW U6;V6;W6 WH	2989.0026	126	SB 6/10 GS 60	2103.0060	127	SB 6/10 GS X	2161.0024	127
SB 6/10 FW U7;V7;W7 WH	2989.0027	126	SB 6/10 GS 61	2103.0061	127	SB 6/10 GS Y	2161.0025	127
SB 6/10 FW U8;V8;W8 WH	2989.0028	126	SB 6/10 GS 62	2103.0062	127	SB 6/10 GS Z	2161.0026	127
SB 6/10 FW U9;V9;W9 WH	2989.0029	126	SB 6/10 GS 63	2103.0063	127	SB 6/10 GW -	2175.0002	127
SB 6/10 FW X1;Y1;Z1 WH	2989.0001	126	SB 6/10 GS 64	2103.0064	127	SB 6/10 GW +	2175.0001	127
SB 6/10 FW X10;Y10;Z10 WH	2989.0010	126	SB 6/10 GS 65	2103.0065	127	SB 6/10 GW ~	2175.0003	127
SB 6/10 FW X2;Y2;Z2 WH	2989.0002	126	SB 6/10 GS 66	2103.0066	127	SB 6/10 GW 1	2102.0001	126
SB 6/10 FW X3;Y3;Z3 WH	2989.0003	126	SB 6/10 GS 67	2103.0067	127	SB 6/10 GW 10	2102.0010	126
SB 6/10 FW X4;Y4;Z4 WH	2989.0004	126	SB 6/10 GS 68	2103.0068	127	SB 6/10 GW 100	2102.0100	127
SB 6/10 FW X5;Y5;Z5 WH	2989.0005	126	SB 6/10 GS 69	2103.0069	127	SB 6/10 GW 11	2102.0011	126
SB 6/10 FW X6;Y6;Z6 WH	2989.0006	126	SB 6/10 GS 7	2103.0007	127	SB 6/10 GW 12	2102.0012	126
SB 6/10 FW X7;Y7;Z7 WH	2989.0007	126	SB 6/10 GS 70	2103.0070	127	SB 6/10 GW 13	2102.0013	126
SB 6/10 FW X8;Y8;Z8 WH	2989.0008	126	SB 6/10 GS 71	2103.0071	127	SB 6/10 GW 14	2102.0014	126
SB 6/10 FW X9;Y9;Z9 WH	2989.0009	126	SB 6/10 GS 72	2103.0072	127	SB 6/10 GW 15	2102.0015	126
SB 6/10 GS -	2161.0035	127	SB 6/10 GS 73	2103.0073	127	SB 6/10 GW 16	2102.0016	126
SB 6/10 GS +	2161.0034	127	SB 6/10 GS 74	2103.0074	127	SB 6/10 GW 17	2102.0017	126
SB 6/10 GS ~	2161.0036	127	SB 6/10 GS 75	2103.0075	127	SB 6/10 GW 18	2102.0018	126
SB 6/10 GS 1	2103.0001	127	SB 6/10 GS 76	2103.0076	127	SB 6/10 GW 19	2102.0019	126
SB 6/10 GS 10	2103.0010	127	SB 6/10 GS 77	2103.0077	127	SB 6/10 GW 2	2102.0002	126
SB 6/10 GS 100	2103.0099	127	SB 6/10 GS 78	2103.0078	127	SB 6/10 GW 20	2102.0020	126
SB 6/10 GS 11	2103.0011	127	SB 6/10 GS 79	2103.0079	127	SB 6/10 GW 21	2102.0021	126
SB 6/10 GS 12	2103.0012	127	SB 6/10 GS 8	2103.0008	127	SB 6/10 GW 22	2102.0022	126
SB 6/10 GS 13	2103.0013	127	SB 6/10 GS 80	2103.0080	127	SB 6/10 GW 23	2102.0023	126
SB 6/10 GS 14	2103.0014	127	SB 6/10 GS 81	2103.0081	127	SB 6/10 GW 24	2102.0024	126
SB 6/10 GS 15	2103.0015	127	SB 6/10 GS 82	2103.0082	127	SB 6/10 GW 25	2102.0025	127
SB 6/10 GS 16	2103.0016	127	SB 6/10 GS 83	2103.0083	127	SB 6/10 GW 26	2102.0026	127
SB 6/10 GS 17	2103.0017	127	SB 6/10 GS 84	2103.0084	127	SB 6/10 GW 27	2102.0027	127
SB 6/10 GS 18	2103.0018	127	SB 6/10 GS 85	2103.0085	127	SB 6/10 GW 28	2102.0028	127
SB 6/10 GS 19	2103.0019	127	SB 6/10 GS 86	2103.0086	127	SB 6/10 GW 29	2102.0029	127
SB 6/10 GS 2	2103.0002	127	SB 6/10 GS 87	2103.0087	127	SB 6/10 GW 3	2102.0003	126
SB 6/10 GS 20	2103.0020	127	SB 6/10 GS 88	2103.0088	127	SB 6/10 GW 30	2102.0030	127
SB 6/10 GS 21	2103.0021	127	SB 6/10 GS 89	2103.0089	127	SB 6/10 GW 31	2102.0031	127
SB 6/10 GS 22	2103.0022	127	SB 6/10 GS 9	2103.0009	127	SB 6/10 GW 32	2102.0032	127
SB 6/10 GS 23	2103.0023	127	SB 6/10 GS 90	2103.0100	127	SB 6/10 GW 33	2102.0033	127
SB 6/10 GS 24	2103.0024	127	SB 6/10 GS 91	2103.0090	127	SB 6/10 GW 34	2102.0034	127
SB 6/10 GS 25	2103.0025	127	SB 6/10 GS 92	2103.0091	127	SB 6/10 GW 35	2102.0035	127
SB 6/10 GS 26	2103.0026	127	SB 6/10 GS 93	2103.0092	127	SB 6/10 GW 36	2102.0036	127
SB 6/10 GS 27	2103.0027	127	SB 6/10 GS 94	2103.0093	127	SB 6/10 GW 37	2102.0037	127
SB 6/10 GS 28	2103.0028	127	SB 6/10 GS 95	2103.0094	127	SB 6/10 GW 38	2102.0038	127
SB 6/10 GS 29	2103.0029	127	SB 6/10 GS 96	2103.0095	127	SB 6/10 GW 39	2102.0039	127
SB 6/10 GS 3	2103.0003	127	SB 6/10 GS 97	2103.0096	127	SB 6/10 GW 4	2102.0004	126
SB 6/10 GS 30	2103.0030	127	SB 6/10 GS 98	2103.0097	127	SB 6/10 GW 40	2102.0040	127
SB 6/10 GS 31	2103.0031	127	SB 6/10 GS 99	2103.0098	127	SB 6/10 GW 41	2102.0041	127
SB 6/10 GS 32	2103.0032	127	SB 6/10 GS A	2161.0001	127	SB 6/10 GW 42	2102.0042	127
SB 6/10 GS 33	2103.0033	127	SB 6/10 GS B	2161.0002	127	SB 6/10 GW 44	2102.0044	127
SB 6/10 GS 34	2103.0034	127	SB 6/10 GS C	2161.0003	127	SB 6/10 GW 45	2102.0045	127
SB 6/10 GS 35	2103.0035	127	SB 6/10 GS D	2161.0004	127	SB 6/10 GW 46	2102.0046	127
SB 6/10 GS 36	2103.0036	127	SB 6/10 GS E	2161.0005	127	SB 6/10 GW 47	2102.0047	127
SB 6/10 GS 37	2103.0037	127	SB 6/10 GS Earth	2161.0037	127	SB 6/10 GW 48	2102.0048	127
SB 6/10 GS 38	2103.0038	127	SB 6/10 GS Earth with circle	2161.0038	127	SB 6/10 GW 49	2102.0049	127
SB 6/10 GS 39	2103.0039	127	SB 6/10 GS F	2161.0006	127	SB 6/10 GW 5	2102.0005	126
SB 6/10 GS 4	2103.0004	127	SB 6/10 GS G	2161.0007	127	SB 6/10 GW 50	2102.0050	127
SB 6/10 GS 40	2103.0040	127	SB 6/10 GS H	2161.0008	127	SB 6/10 GW 51	2102.0051	127
SB 6/10 GS 41	2103.0041	127	SB 6/10 GS I	2161.0009	127	SB 6/10 GW 52	2102.0052	127
SB 6/10 GS 42	2103.0042	127	SB 6/10 GS J	2161.0010	127	SB 6/10 GW 53	2102.0053	127
SB 6/10 GS 43	2103.0043	127	SB 6/10 GS K	2161.0011	127	SB 6/10 GW 54	2102.0054	127
SB 6/10 GS 44	2103.0044	127	SB 6/10 GS L	2161.0012	127	SB 6/10 GW 55	2102.0055	127
SB 6/10 GS 45	2103.0045	127	SB 6/10 GS M	2161.0013	127	SB 6/10 GW 56	2102.0056	127
SB 6/10 GS 46	2103.0046	127	SB 6/10 GS MP	2161.0029	127	SB 6/10 GW 57	2102.0057	127
SB 6/10 GS 47	2103.0047	127	SB 6/10 GS N	2161.0014	127	SB 6/10 GW 58	2102.0058	127
SB 6/10 GS 48	2103.0048	127	SB 6/10 GS O	2161.0015	127	SB 6/10 GW 59	2102.0059	127
			SB 6/10 GS P	2161.0016	127	SB 6/10 GW 6	2102.0006	126

Type	Cat. no.	Page	Type	Cat. no.	Page	Type	Cat. no.	Page
SB 6/10 GW 60	2102.0060	127	SB 6/10 GW X	2157.0024	127	SB 8/8 FW L1;L2;L3;N;PE WH	9481.0003	128
SB 6/10 GW 61	2102.0061	127	SB 6/10 GW Y	2157.0025	127	SB 8/8 FW R;S;T;N;Earth with circle WH	9481.0002	128
SB 6/10 GW 62	2102.0062	127	SB 6/10 GW Z	2157.0026	127	SB 8/8 FW R1;S1;T1 WH	9480.0011	128
SB 6/10 GW 63	2102.0063	127	SB 6/10 So WH	2036.7	126	SB 8/8 FW R10;S10;T10 WH	9480.0020	128
SB 6/10 GW 64	2102.0064	127	SB 6/10 WH	2035.0	126	SB 8/8 FW R2;S2;T2 WH	9480.0012	128
SB 6/10 GW 65	2102.0065	127	SB 6/10FWL1; L2; L3; N; Earth with circle	2149.0004	126	SB 8/8 FW R3;S3;T3 WH	9480.0013	128
SB 6/10 GW 66	2102.0066	127	SB 8/10 WH	2940.0	128	SB 8/8 FW R4;S4;T4 WH	9480.0014	128
SB 6/10 GW 67	2102.0067	127	SB 8/8 FS 1-8 WH	9477.0001	128	SB 8/8 FW R5;S5;T5 WH	9480.0015	128
SB 6/10 GW 68	2102.0068	127	SB 8/8 FS 105-112 WH	9477.0014	128	SB 8/8 FW R6;S6;T6 WH	9480.0016	128
SB 6/10 GW 69	2102.0069	127	SB 8/8 FS 113-120 WH	9477.0015	128	SB 8/8 FW R7;S7;T7 WH	9480.0017	128
SB 6/10 GW 7	2102.0007	126	SB 8/8 FS 17-24 WH	9477.0003	128	SB 8/8 FW R8;S8;T8 WH	9480.0018	128
SB 6/10 GW 70	2102.0070	127	SB 8/8 FS 25-32 WH	9477.0004	128	SB 8/8 FW R9;S9;T9 WH	9480.0019	128
SB 6/10 GW 71	2102.0071	127	SB 8/8 FS 33-40 WH	9477.0005	128	SB 8/8 FW U;V;W;N;PE WH	9481.0001	128
SB 6/10 GW 72	2102.0072	127	SB 8/8 FS 41-48 WH	9477.0006	128	SB 8/8 FW U1;V1;W1 WH	9480.0021	128
SB 6/10 GW 73	2102.0073	127	SB 8/8 FS 49-56 WH	9477.0007	128	SB 8/8 FW U10;V10;W10 WH	9480.0030	128
SB 6/10 GW 74	2102.0074	127	SB 8/8 FS 57-64 WH	9477.0008	128	SB 8/8 FW U2;V2;W2 WH	9480.0022	128
SB 6/10 GW 75	2102.0075	127	SB 8/8 FS 65-72 WH	9477.0009	128	SB 8/8 FW U3;V3;W3 WH	9480.0023	128
SB 6/10 GW 76	2102.0076	127	SB 8/8 FS 73-80 WH	9477.0010	128	SB 8/8 FW U4;V4;W4 WH	9480.0024	128
SB 6/10 GW 77	2102.0077	127	SB 8/8 FS 81-88 WH	9477.0011	128	SB 8/8 FW U5;V5;W5 WH	9480.0025	128
SB 6/10 GW 78	2102.0078	127	SB 8/8 FS 89-96 WH	9477.0012	128	SB 8/8 FW U6;V6;W6 WH	9480.0026	128
SB 6/10 GW 79	2102.0079	127	SB 8/8 FS 9-16 WH	9477.0002	128	SB 8/8 FW U7;V7;W7 WH	9480.0027	128
SB 6/10 GW 8	2102.0008	126	SB 8/8 FS 97-104 WH	9477.0013	128	SB 8/8 FW U8;V8;W8 WH	9480.0028	128
SB 6/10 GW 80	2102.0080	127	SB 8/8 FS L1;L2;L3;N;Earth with circle WH	9483.0004	128	SB 8/8 FW U9;V9;W9 WH	9480.0029	128
SB 6/10 GW 81	2102.0081	127	SB 8/8 FS L1;L2;L3;N;PE WH	9483.0003	128	SB 8/8 FW X1;Y1;Z1 WH	9480.0001	128
SB 6/10 GW 82	2102.0082	127	SB 8/8 FS R;S;T;N;Earth with circle WH	9483.0002	128	SB 8/8 FW X10;Y10;Z10 WH	9480.0010	128
SB 6/10 GW 83	2102.0083	127	SB 8/8 FS R1;S1;T1 WH	9482.0011	128	SB 8/8 FW X2;Y2;Z2 WH	9480.0002	128
SB 6/10 GW 84	2102.0084	127	SB 8/8 FS R10;S10;T10 WH	9482.0020	128	SB 8/8 FW X3;Y3;Z3 WH	9480.0003	128
SB 6/10 GW 85	2102.0085	127	SB 8/8 FS R2;S2;T2 WH	9482.0012	128	SB 8/8 FW X4;Y4;Z4 WH	9480.0004	128
SB 6/10 GW 86	2102.0086	127	SB 8/8 FS R3;S3;T3 WH	9482.0013	128	SB 8/8 FW X5;Y5;Z5 WH	9480.0005	128
SB 6/10 GW 87	2102.0087	127	SB 8/8 FS R4;S4;T4 WH	9482.0014	128	SB 8/8 FW X6;Y6;Z6 WH	9480.0006	128
SB 6/10 GW 88	2102.0088	127	SB 8/8 FS R5;S5;T5 WH	9482.0015	128	SB 8/8 FW X7;Y7;Z7 WH	9480.0007	128
SB 6/10 GW 89	2102.0089	127	SB 8/8 FS R6;S6;T6 WH	9482.0016	128	SB 8/8 FW X8;Y8;Z8 WH	9480.0008	128
SB 6/10 GW 9	2102.0009	126	SB 8/8 FS R7;S7;T7 WH	9482.0017	128	SB 8/8 FW X9;Y9;Z9 WH	9480.0009	128
SB 6/10 GW 90	2102.0090	127	SB 8/8 FS R8;S8;T8 WH	9482.0018	128	SB 8/8 GS - WH	9479.0017	129
SB 6/10 GW 91	2102.0091	127	SB 8/8 FS R9;S9;T9 WH	9482.0019	128	SB 8/8 GS + WH	9479.0016	129
SB 6/10 GW 92	2102.0092	127	SB 8/8 FS U;V;W;N;PE WH	9483.0001	128	SB 8/8 GS ~ WH	9485.0035	129
SB 6/10 GW 93	2102.0093	127	SB 8/8 FS U1;V1;W1 WH	9482.0021	128	SB 8/8 GS 0 WH	9479.0000	129
SB 6/10 GW 94	2102.0094	127	SB 8/8 FS U10;V10;W10 WH	9482.0030	128	SB 8/8 GS 1 WH	9479.0001	129
SB 6/10 GW 95	2102.0095	127	SB 8/8 FS U2;V2;W2 WH	9482.0022	128	SB 8/8 GS 2 WH	9479.0002	129
SB 6/10 GW 96	2102.0096	127	SB 8/8 FS U3;V3;W3 WH	9482.0023	128	SB 8/8 GS 3 WH	9479.0003	129
SB 6/10 GW 97	2102.0097	127	SB 8/8 FS U4;V4;W4 WH	9482.0024	128	SB 8/8 GS 4 WH	9479.0004	129
SB 6/10 GW 98	2102.0098	127	SB 8/8 FS U5;V5;W5 WH	9482.0025	128	SB 8/8 GS 5 WH	9479.0005	129
SB 6/10 GW 99	2102.0099	127	SB 8/8 FS U6;V6;W6 WH	9482.0026	128	SB 8/8 GS 6 WH	9479.0006	129
SB 6/10 GW A	2157.0001	127	SB 8/8 FS U7;V7;W7 WH	9482.0027	128	SB 8/8 GS 7 WH	9479.0007	129
SB 6/10 GW B	2157.0002	127	SB 8/8 FS U8;V8;W8 WH	9482.0028	128	SB 8/8 GS 8 WH	9479.0008	129
SB 6/10 GW C	2157.0003	127	SB 8/8 FS U9;V9;W9 WH	9482.0029	128	SB 8/8 GS 9 WH	9479.0009	129
SB 6/10 GW D	2157.0004	127	SB 8/8 FS X1;Y1;Z1 WH	9482.0001	128	SB 8/8 GS A WH	9485.0001	129
SB 6/10 GW E	2157.0005	127	SB 8/8 FS X10;Y10;Z10 WH	9482.0010	128	SB 8/8 GS B WH	9485.0002	129
SB 6/10 GW Earth	2175.0004	127	SB 8/8 FS X2;Y2;Z2 WH	9482.0002	128	SB 8/8 GS C WH	9485.0003	129
SB 6/10 GW Earth with circuit	2175.0005	127	SB 8/8 FS X3;Y3;Z3 WH	9482.0003	128	SB 8/8 GS D WH	9485.0004	129
SB 6/10 GW F	2157.0006	127	SB 8/8 FS X4;Y4;Z4 WH	9482.0004	128	SB 8/8 GS E WH	9485.0005	129
SB 6/10 GW G	2157.0007	127	SB 8/8 FS X5;Y5;Z5 WH	9482.0005	128	SB 8/8 GS Earth with circle WH	9485.0038	129
SB 6/10 GW H	2157.0008	127	SB 8/8 FS X6;Y6;Z6 WH	9482.0006	128	SB 8/8 GS Earth WH	9485.0037	129
SB 6/10 GW I	2157.0009	127	SB 8/8 FS X7;Y7;Z7 WH	9482.0007	128	SB 8/8 GS F WH	9485.0006	129
SB 6/10 GW J	2157.0010	127	SB 8/8 FS X8;Y8;Z8 WH	9482.0008	128	SB 8/8 GS G WH	9485.0007	129
SB 6/10 GW K	2157.0011	127	SB 8/8 FS X9;Y9;Z9 WH	9482.0009	128	SB 8/8 GS H WH	9485.0008	129
SB 6/10 GW L	2157.0012	127	SB 8/8 FW 1-8 WH	9476.0001	128	SB 8/8 GS I WH	9485.0009	129
SB 6/10 GW M	2157.0013	127	SB 8/8 FW 105-112 WH	9476.0014	128	SB 8/8 GS J WH	9485.0010	129
SB 6/10 GW MP	2157.0029	127	SB 8/8 FW 113-120 WH	9476.0015	128	SB 8/8 GS K WH	9485.0011	129
SB 6/10 GW N	2157.0014	127	SB 8/8 FW 17-24 WH	9476.0003	128	SB 8/8 GS L WH	9485.0012	129
SB 6/10 GW O	2157.0015	127	SB 8/8 FW 25-32 WH	9476.0004	128	SB 8/8 GS L1 WH	9479.0012	129
SB 6/10 GW P	2157.0016	127	SB 8/8 FW 33-40 WH	9476.0005	128	SB 8/8 GS L2 WH	9479.0013	129
SB 6/10 GW PE	2157.0027	127	SB 8/8 FW 41-48 WH	9476.0006	128	SB 8/8 GS L3 WH	9479.0014	129
SB 6/10 GW PEN	2157.0028	127	SB 8/8 FW 49-56 WH	9476.0007	128	SB 8/8 GS M WH	9485.0013	129
SB 6/10 GW Q	2157.0017	127	SB 8/8 FW 57-64 WH	9476.0008	128	SB 8/8 GS MP WH	9485.0029	129
SB 6/10 GW R	2157.0018	127	SB 8/8 FW 65-72 WH	9476.0009	128	SB 8/8 GS N WH	9479.0015	129
SB 6/10 GW S	2157.0019	127	SB 8/8 FW 73-80 WH	9476.0010	128	SB 8/8 GS N WH	9485.0014	129
SB 6/10 GW SL	2157.0030	127	SB 8/8 FW 81-88 WH	9476.0011	128	SB 8/8 GS O WH	9485.0015	129
SB 6/10 GW T	2157.0020	127	SB 8/8 FW 9-16 WH	9476.0002	128	SB 8/8 GS P WH	9485.0016	129
SB 6/10 GW T1	2157.0031	127	SB 8/8 FW 97-104 WH	9476.0013	128	SB 8/8 GS PE WH	9479.0011	129
SB 6/10 GW T2	2157.0032	127	SB 8/8 FW L1;L2;L3;N;Earth with circle WH	9481.0004	128	SB 8/8 GS PE WH	9485.0027	129
SB 6/10 GW T3	2157.0033	127						
SB 6/10 GW U	2157.0021	127						
SB 6/10 GW V	2157.0022	127						
SB 6/10 GW W	2157.0023	127						

Type	Cat. no.	Page	Type	Cat. no.	Page	Type	Cat. no.	Page
SB 8/8 GS PEN WH	9485.0028	129	SchT 12	2531.0	109	TS 35x7.5 Steel UGL/galvanised	4562.0	103
SB 8/8 GS Q WH	9485.0017	129	SchT 2	2888.0	109	TST/M 5	2736.0	105
SB 8/8 GS R WH	9485.0018	129	SchT 4/8	2528.0	108	TST/M 6	2737.0	105
SB 8/8 GS S WH	9485.0019	129	SchT 6/12	2529.0	108	TSTW/F/M 6	2563.0	104
SB 8/8 GS SL WH	9485.0030	129	SchT 7	2504.0	108	TSTW/M5	2414.0	104
SB 8/8 GS T WH	9485.0020	129	SchT 7, long joint	2361.0	108	TSTW/M6	2303.0	104
SB 8/8 GS T1 WH	9485.0031	129	SchT 9	3749.0	108	TWMF BG	2957.2	110
SB 8/8 GS T2 WH	9485.0032	129	SDB 0.4x2.0	3164.0	12, 13, 38, 39, 46-51, 53, 56-59, 62, 63, 66, 72-75, 112	TWMF BU	2957.5	110
SB 8/8 GS T3 WH	9485.0033	129				TWMF OG	2957.3	110
SB 8/8 GS U WH	9485.0021	129				VBS 2/10 OG	2873.3	53
SB 8/8 GS V WH	9485.0022	129				VBS 3/10 OG	2874.3	53
SB 8/8 GS W WH	9485.0023	129				ZDS 1/ZTR	3612.2	57, 63, 97
SB 8/8 GS X WH	9479.0010	129				ZDS 2/ZTR	3613.2	57, 63, 97
SB 8/8 GS X WH	9485.0024	129	SDB 0,4x2.5	3169.0	14, 15, 26, 27, 30, 31, 33, 112	ZDS 3/ZTR	3614.2	57, 63, 97
SB 8/8 GS Y WH	9485.0025	129				ZDS 4/ZTR	3615.2	57, 63, 97
SB 8/8 GS Z WH	9485.0026	129				ZES 15 BG	3812.2	107
SB 8/8 GW - WH	9478.0017	128	SDB 0.5 x 3.0	1085.0	16-23, 40, 41, 77, 112	ZES 35 BG	3748.2	62, 63, 107
SB 8/8 GW - WH	9484.0035	129				ZES 35 GR	3748.6	18, 19, 20, 21, 22, 23
SB 8/8 GW + WH	9478.0016	128				ZES 35/2 BG	3811.2	38-43, 46-51, 53, 56-59, 66-69, 72-75, 77, 107, 111
SB 8/8 GW + WH	9484.0034	129	SDB 0.6 x 3.5	1086.0	42, 43, 67, 68, 112			
SB 8/8 GW ~ WH	9484.0036	129				ZES 35/2 GR	3811.6	12-17, 26, 27, 30, 31, 33
SB 8/8 GW 0 WH	9478.0000	128	SDB 0.8 x 4.0	1087.0	43, 68, 69, 112	ZS/H0/ZTR	3635.2	59, 63, 96
SB 8/8 GW 1 WH	9478.0001	128				ZS/H1/ZTR/36	3631.2	59, 63, 96
SB 8/8 GW 2 WH	9478.0002	128	SDB 1.2 x 6.5	1088.0	112	ZS/H2/ZTR/70	3632.2	59, 63, 96
SB 8/8 GW 3 WH	9478.0003	128	SDI 0.4 x 2.5	1081.0	112	ZS/H3/ZTR/150	3633.2	59, 63, 97
SB 8/8 GW 4 WH	9478.0004	128	SDI 0.6 x 3.5	1082.0	112	ZS/H4/ZTR/250	3634.2	59, 97
SB 8/8 GW 5 WH	9478.0005	128	SDI 1.0 x 5.5	1083.0	112	ZSchT 1	3773.0	108
SB 8/8 GW 6 WH	9478.0006	128	SDI 1.2 x 6.5	1084.0	112	ZSchT 2	3774.0	109
SB 8/8 GW 7 WH	9478.0007	128	SDIK 1.0 x 80	2278.0	112	ZSchT 3	3775.0	108
SB 8/8 GW 8 WH	9478.0008	128	SDIK 2.0 x 100	2279.0	112	ZSchT 4	3776.0	109
SB 8/8 GW 9 WH	9478.0009	128	SDK 1,0 x 80	2289.0	112	ZSchT 5	3777.0	109
SB 8/8 GW A WH	9484.0001	129	SDK 2,0 x 100	2290.0	112	ZSchT 6	3807.0	109
SB 8/8 GW B WH	9484.0002	129	SES 35 BG	17250.2	107			
SB 8/8 GW C WH	9484.0003	129	SES 35 BK	17250.4	107			
SB 8/8 GW D WH	9484.0004	129	SHES 35 BG	17259.2	107			
SB 8/8 GW E WH	9484.0005	129	SI C 1.000 A/32V	4991.0	63			
SB 8/8 GW Earth with circle WH	9484.0038	129	SI C 10.000 A/32V	4997.0	63			
SB 8/8 GW Earth WH	9484.0037	129	SI C 2.000 A/32V	4992.0	63			
SB 8/8 GW F WH	9484.0006	129	SI C 3.000 A/32V	4993.0	63			
SB 8/8 GW G WH	9484.0007	129	SI C 4.000 A/32V	4994.0	63			
SB 8/8 GW H WH	9484.0008	129	SI C 5.000 A/32V	4995.0	63			
SB 8/8 GW I WH	9484.0009	129	SI C 7.500 A/32V	4996.0	63			
SB 8/8 GW J WH	9484.0010	129	SQI 16/2 YE	17247.8	43, 68, 69, 91, 72, 74			
SB 8/8 GW K WH	9484.0011	129	Ssch 10 x 3 CU	2129.0	108, 109			
SB 8/8 GW L WH	9484.0012	129	STR 1 transparent	2506.0	108, 109			
SB 8/8 GW L1 WH	9478.0012	128	STR 2 transparent	2878.0	109			
SB 8/8 GW L2 WH	9478.0013	128	STR 3 transparent	2579.0	109			
SB 8/8 GW L3 WH	9478.0014	128	STR GT 1 transparent	2582.0	109			
SB 8/8 GW M WH	9484.0013	129	STR GT 2 transparent	2583.0	109			
SB 8/8 GW MP WH	9484.0029	129	TS 15 ALU UGL	2711.0	104			
SB 8/8 GW N WH	9478.0015	128	TS 15 slotted	2092.0	104			
SB 8/8 GW N WH	9484.0014	129	TS 15 unslotted	2091.0	104			
SB 8/8 GW O WH	9484.0015	129	TS 32	2025.0	105			
SB 8/8 GW P WH	9484.0016	129	TS 32	2093.0	105			
SB 8/8 GW PE WH	9478.0011	128	TS 35 x 15	2027.0	102			
SB 8/8 GW PE WH	9484.0027	129	TS 35 x 15	2095.0	102			
SB 8/8 GW PEN WH	9484.0028	129	TS 35 x 15/2.3	2038.0	103			
SB 8/8 GW Q WH	9484.0017	129	TS 35 x 15/2.3	2039.0	103			
SB 8/8 GW R WH	9484.0018	129	TS 35 x 7.5	2026.0	102			
SB 8/8 GW S WH	9484.0019	129	TS 35 x 7.5	2094.0	102			
SB 8/8 GW SL WH	9484.0030	129	TS 35x15 GL (6.2x18 mm)	4566.0	102, 105			
SB 8/8 GW T WH	9484.0020	129	TS 35x15 Steel GL/galvanised	4564.0	103			
SB 8/8 GW T1 WH	9484.0031	129	TS 35x15 Steel UGL/galvanised	4561.0	103			
SB 8/8 GW T2 WH	9484.0032	129	TS 35x7.5 ALU UGL	2710.0	103			
SB 8/8 GW T3 WH	9484.0033	129	TS 35x7.5 GL (6.2x18 mm)	2704.0	102			
SB 8/8 GW U WH	9484.0021	129	TS 35x7.5 Steel GL/galvanised	4563.0	103			
SB 8/8 GW V WH	9484.0022	129						
SB 8/8 GW W WH	9484.0023	129						
SB 8/8 GW X WH	9478.0010	128						
SB 8/8 GW X WH	9484.0024	129						
SB 8/8 GW Y WH	9484.0025	129						
SB 8/8 GW Z WH	9484.0026	129						
SB 8/8FW 89-96 WH	9476.0012	128						
SchT 10	3809.0	108						
SchT 11	2530.0	109						

Types and catalogue numbers, numeric

Cat. no.	Type	Page	Cat. no.	Type	Page	Cat. no.	Type	Page
1			2102.0011	SB 6/10 GW 11	126	2102.0082	SB 6/10 GW 82	127
1081.0	SDI 0.4 x 2.5	112	2102.0012	SB 6/10 GW 12	126	2102.0083	SB 6/10 GW 83	127
1082.0	SDI 0.6 x 3.5	112	2102.0013	SB 6/10 GW 13	126	2102.0084	SB 6/10 GW 84	127
1083.0	SDI 1.0 x 5.5	112	2102.0014	SB 6/10 GW 14	126	2102.0085	SB 6/10 GW 85	127
1084.0	SDI 1.2 x 6.5	112	2102.0015	SB 6/10 GW 15	126	2102.0086	SB 6/10 GW 86	127
1085.0	SDB 0.5 x 3.0	16-23, 40, 41, 77, 112	2102.0016	SB 6/10 GW 16	126	2102.0087	SB 6/10 GW 87	127
1086.0	SDB 0.6 x 3.5	42, 43, 67, 68, 112	2102.0017	SB 6/10 GW 17	126	2102.0088	SB 6/10 GW 88	127
1087.0	SDB 0.8 x 4.0	43, 68, 69, 112	2102.0018	SB 6/10 GW 18	126	2102.0089	SB 6/10 GW 89	127
1088.0	SDB 1.2 x 6.5	112	2102.0019	SB 6/10 GW 19	126	2102.0090	SB 6/10 GW 90	127
1424.2	ES 32/35 BG	107	2102.0020	SB 6/10 GW 20	126	2102.0091	SB 6/10 GW 91	127
2			2102.0021	SB 6/10 GW 21	126	2102.0092	SB 6/10 GW 92	127
2004.2	ES 32 BG	106	2102.0022	SB 6/10 GW 22	126	2102.0093	SB 6/10 GW 93	127
2005.2	ES 35 BG	106	2102.0023	SB 6/10 GW 23	126	2102.0094	SB 6/10 GW 94	127
2007.0	PS 2.3	12-23, 95	2102.0024	SB 6/10 GW 24	126	2102.0095	SB 6/10 GW 95	127
2025.0	TS 32	105	2102.0025	SB 6/10 GW 25	127	2102.0096	SB 6/10 GW 96	127
2026.0	TS 35 x 7.5	102	2102.0026	SB 6/10 GW 26	127	2102.0097	SB 6/10 GW 97	127
2027.0	TS 35 x 15	102	2102.0027	SB 6/10 GW 27	127	2102.0098	SB 6/10 GW 98	127
2035.0	SB 6/10 WH	126	2102.0028	SB 6/10 GW 28	127	2102.0099	SB 6/10 GW 99	127
2036.0001	SB 6/10 FW 1-10	126	2102.0029	SB 6/10 GW 29	127	2102.0100	SB 6/10 GW 100	127
2036.0002	SB 6/10 FW 11-20	126	2102.0030	SB 6/10 GW 30	127	2103.0001	SB 6/10 GS 1	127
2036.0003	SB 6/10 FW 21-30	126	2102.0031	SB 6/10 GW 31	127	2103.0002	SB 6/10 GS 2	127
2036.0004	SB 6/10 FW 31-40	126	2102.0032	SB 6/10 GW 32	127	2103.0003	SB 6/10 GS 3	127
2036.0005	SB 6/10 FW 41-50	126	2102.0033	SB 6/10 GW 33	127	2103.0004	SB 6/10 GS 4	127
2036.0006	SB 6/10 FW 51-60	126	2102.0034	SB 6/10 GW 34	127	2103.0005	SB 6/10 GS 5	127
2036.0007	SB 6/10 FW 61-70	126	2102.0035	SB 6/10 GW 35	127	2103.0006	SB 6/10 GS 6	127
2036.0008	SB 6/10 FW 71-80	126	2102.0036	SB 6/10 GW 36	127	2103.0007	SB 6/10 GS 7	127
2036.0009	SB 6/10 FW 81-90	126	2102.0037	SB 6/10 GW 37	127	2103.0008	SB 6/10 GS 8	127
2036.0010	SB 6/10 FW 91-100	126	2102.0038	SB 6/10 GW 38	127	2103.0009	SB 6/10 GS 9	127
2036.7	SB 6/10 So WH	126	2102.0039	SB 6/10 GW 39	127	2103.0010	SB 6/10 GS 10	127
2037.0001	SB 6/10 FS 1-10	126	2102.0040	SB 6/10 GW 40	127	2103.0011	SB 6/10 GS 11	127
2037.0002	SB 6/10 FS 11-20	126	2102.0041	SB 6/10 GW 41	127	2103.0012	SB 6/10 GS 12	127
2037.0003	SB 6/10 FS 21-30	126	2102.0042	SB 6/10 GW 42	127	2103.0013	SB 6/10 GS 13	127
2037.0004	SB 6/10 FS 31-40	126	2102.0043	SB 4/50 GW 43	127	2103.0014	SB 6/10 GS 14	127
2037.0005	SB 6/10 FS 41-50	126	2102.0044	SB 6/10 GW 44	127	2103.0015	SB 6/10 GS 15	127
2037.0006	SB 6/10 FS 51-60	126	2102.0045	SB 6/10 GW 45	127	2103.0016	SB 6/10 GS 16	127
2037.0007	SB 6/10 FS 61-70	126	2102.0046	SB 6/10 GW 46	127	2103.0017	SB 6/10 GS 17	127
2037.0008	SB 6/10 FS 71-80	126	2102.0047	SB 6/10 GW 47	127	2103.0018	SB 6/10 GS 18	127
2037.0009	SB 6/10 FS 81-90	126	2102.0048	SB 6/10 GW 48	127	2103.0019	SB 6/10 GS 19	127
2037.0010	SB 6/10 FS 91-100	126	2102.0049	SB 6/10 GW 49	127	2103.0020	SB 6/10 GS 20	127
2038.0	TS 35 x 15/2.3	103	2102.0050	SB 6/10 GW 50	127	2103.0021	SB 6/10 GS 21	127
2039.0	TS 35 x 15/2.3	103	2102.0051	SB 6/10 GW 51	127	2103.0022	SB 6/10 GS 22	127
2040.0001	SB 6/10 FW U; V; W; N; PE	126	2102.0052	SB 6/10 GW 52	127	2103.0023	SB 6/10 GS 23	127
2040.0002	SB 6/10 FW R; S; T; N; Earth with circle	126	2102.0053	SB 6/10 GW 53	127	2103.0024	SB 6/10 GS 24	127
2040.0003	SB 6/10 FW L1; L2; L3; N; PE	126	2102.0054	SB 6/10 GW 54	127	2103.0025	SB 6/10 GS 25	127
2040.0004	SB 6/10 FW L1; L2; L3; N; Earth with circle	126	2102.0055	SB 6/10 GW 55	127	2103.0026	SB 6/10 GS 26	127
2074.2	ES 15 BG	107	2102.0056	SB 6/10 GW 56	127	2103.0027	SB 6/10 GS 27	127
2091.0	TS 15 unslotted	104	2102.0057	SB 6/10 GW 57	127	2103.0028	SB 6/10 GS 28	127
2092.0	TS 15 slotted	104	2102.0058	SB 6/10 GW 58	127	2103.0029	SB 6/10 GS 29	127
2093.0	TS 32	105	2102.0059	SB 6/10 GW 59	127	2103.0030	SB 6/10 GS 30	127
2094.0	TS 35 x 7.5	102	2102.0060	SB 6/10 GW 60	127	2103.0031	SB 6/10 GS 31	127
2095.0	TS 35 x 15	102	2102.0061	SB 6/10 GW 61	127	2103.0032	SB 6/10 GS 32	127
2102.0001	SB 6/10 GW 1	126	2102.0062	SB 6/10 GW 62	127	2103.0033	SB 6/10 GS 33	127
2102.0002	SB 6/10 GW 2	126	2102.0063	SB 6/10 GW 63	127	2103.0034	SB 6/10 GS 34	127
2102.0003	SB 6/10 GW 3	126	2102.0064	SB 6/10 GW 64	127	2103.0035	SB 6/10 GS 35	127
2102.0004	SB 6/10 GW 4	126	2102.0065	SB 6/10 GW 65	127	2103.0036	SB 6/10 GS 36	127
2102.0005	SB 6/10 GW 5	126	2102.0066	SB 6/10 GW 66	127	2103.0037	SB 6/10 GS 37	127
2102.0006	SB 6/10 GW 6	126	2102.0067	SB 6/10 GW 67	127	2103.0038	SB 6/10 GS 38	127
2102.0007	SB 6/10 GW 7	126	2102.0068	SB 6/10 GW 68	127	2103.0039	SB 6/10 GS 39	127
2102.0008	SB 6/10 GW 8	126	2102.0069	SB 6/10 GW 69	127	2103.0040	SB 6/10 GS 40	127
2102.0009	SB 6/10 GW 9	126	2102.0070	SB 6/10 GW 70	127	2103.0041	SB 6/10 GS 41	127
2102.0010	SB 6/10 GW 10	126	2102.0071	SB 6/10 GW 71	127	2103.0042	SB 6/10 GS 42	127
			2102.0072	SB 6/10 GW 72	127	2103.0043	SB 6/10 GS 43	127
			2102.0073	SB 6/10 GW 73	127	2103.0044	SB 6/10 GS 44	127
			2102.0074	SB 6/10 GW 74	127	2103.0045	SB 6/10 GS 45	127
			2102.0075	SB 6/10 GW 75	127	2103.0046	SB 6/10 GS 46	127
			2102.0076	SB 6/10 GW 76	127	2103.0047	SB 6/10 GS 47	127
			2102.0077	SB 6/10 GW 77	127	2103.0048	SB 6/10 GS 48	127
			2102.0078	SB 6/10 GW 78	127	2103.0049	SB 6/10 GS 49	127
			2102.0079	SB 6/10 GW 79	127	2103.0050	SB 6/10 GS 50	127
			2102.0080	SB 6/10 GW 80	127	2103.0051	SB 6/10 GS 51	127
			2102.0081	SB 6/10 GW 81	127	2103.0052	SB 6/10 GS 52	127

Cat. no.	Type	Page	Cat. no.	Type	Page	Cat. no.	Type	Page
2103.0053	SB 6/10 GS 53	127	2157.0022	SB 6/10 GW V	127	2404.0013	SB 5/10 FW R3; S3; T3	124
2103.0054	SB 6/10 GS 54	127	2157.0023	SB 6/10 GW W	127	2404.0014	SB 5/10 FW R4; S4; T4	124
2103.0055	SB 6/10 GS 55	127	2157.0024	SB 6/10 GW X	127	2404.0015	SB 5/10 FW R5; S5; T5	124
2103.0056	SB 6/10 GS 56	127	2157.0025	SB 6/10 GW Y	127	2404.0016	SB 5/10 FW R6; S6; T6	124
2103.0057	SB 6/10 GS 57	127	2157.0026	SB 6/10 GW Z	127	2404.0017	SB 5/10 FW R7; S7; T7	124
2103.0058	SB 6/10 GS 58	127	2157.0027	SB 6/10 GW PE	127	2404.0018	SB 5/10 FW R8; S8; T8	124
2103.0059	SB 6/10 GS 59	127	2157.0028	SB 6/10 GW PEN	127	2404.0019	SB 5/10 FW R9; S9; T9	124
2103.0060	SB 6/10 GS 60	127	2157.0029	SB 6/10 GW MP	127	2404.0020	SB 5/10 FW R10; S10; T10	124
2103.0061	SB 6/10 GS 61	127	2157.0030	SB 6/10 GW SL	127	2404.0021	SB 5/10 FW U1; V1; W1	124
2103.0062	SB 6/10 GS 62	127	2157.0031	SB 6/10 GW T1	127	2404.0022	SB 5/10 FW U2; V-2; W2	124
2103.0063	SB 6/10 GS 63	127	2157.0032	SB 6/10 GW T2	127	2404.0023	SB 5/10 FW U3; V3; W3	124
2103.0064	SB 6/10 GS 64	127	2157.0033	SB 6/10 GW T3	127	2404.0024	SB 5/10 FW U4; V4; W4	124
2103.0065	SB 6/10 GS 65	127	2161.0001	SB 6/10 GS A	127	2404.0025	SB 5/10 FW U5; V5; W5	124
2103.0066	SB 6/10 GS 66	127	2161.0002	SB 6/10 GS B	127	2404.0026	SB 5/10 FW U6; V6; W6	124
2103.0067	SB 6/10 GS 67	127	2161.0003	SB 6/10 GS C	127	2404.0027	SB 5/10 FW U7; V7; W7	124
2103.0068	SB 6/10 GS 68	127	2161.0004	SB 6/10 GS D	127	2404.0028	SB 5/10 FW U8; V8; W8	124
2103.0069	SB 6/10 GS 69	127	2161.0005	SB 6/10 GS E	127	2404.0029	SB 5/10 FW U9; V9; W9	124
2103.0070	SB 6/10 GS 70	127	2161.0006	SB 6/10 GS F	127	2404.0030	SB 5/10 FW U10; V10; W10	124
2103.0071	SB 6/10 GS 71	127	2161.0007	SB 6/10 GS G	127	2414.0	TSTW/M5	104
2103.0072	SB 6/10 GS 72	127	2161.0008	SB 6/10 GS H	127	2415.0	BS M 5 x 8/15	104, 105
2103.0073	SB 6/10 GS 73	127	2161.0009	SB 6/10 GS I	127	2430.0	SB 5/10 WH	124
2103.0074	SB 6/10 GS 74	127	2161.0010	SB 6/10 GS J	127	2431.0001	SB 5/10 FW 1-10	124
2103.0075	SB 6/10 GS 75	127	2161.0011	SB 6/10 GS K	127	2431.0002	SB 5/10 FW 11-20	124
2103.0076	SB 6/10 GS 76	127	2161.0012	SB 6/10 GS L	127	2431.0003	SB 5/10 FW 21-30	124
2103.0077	SB 6/10 GS 77	127	2161.0013	SB 6/10 GS M	127	2431.0004	SB 5/10 FW 31-40	124
2103.0078	SB 6/10 GS 78	127	2161.0014	SB 6/10 GS N	127	2431.0005	SB 5/10 FW 41-50	124
2103.0079	SB 6/10 GS 79	127	2161.0015	SB 6/10 GS O	127	2431.0006	SB 5/10 FW 51-60	124
2103.0080	SB 6/10 GS 80	127	2161.0016	SB 6/10 GS P	127	2431.0008	SB 5/10 FW 61-70	124
2103.0081	SB 6/10 GS 81	127	2161.0017	SB 6/10 GS Q	127	2431.0009	SB 5/10 FW 71-80	124
2103.0082	SB 6/10 GS 82	127	2161.0018	SB 6/10 GS R	127	2431.0010	SB 5/10 FW 81-90	124
2103.0083	SB 6/10 GS 83	127	2161.0019	SB 6/10 GS S	127	2431.7	SB 5/10 So WH	124
2103.0084	SB 6/10 GS 84	127	2161.0020	SB 6/10 GS T	127	2432.0001	SB 5/10 GW 1	124
2103.0085	SB 6/10 GS 85	127	2161.0021	SB 6/10 GS U	127	2432.0002	SB 5/10 GW 2	124
2103.0086	SB 6/10 GS 86	127	2161.0022	SB 6/10 GS V	127	2432.0003	SB 5/10 GW 3	124
2103.0087	SB 6/10 GS 87	127	2161.0023	SB 6/10 GS W	127	2432.0004	SB 5/10 GW 4	124
2103.0088	SB 6/10 GS 88	127	2161.0024	SB 6/10 GS X	127	2432.0005	SB 5/10 GW 5	124
2103.0089	SB 6/10 GS 89	127	2161.0025	SB 6/10 GS Y	127	2432.0006	SB 5/10 GW 6	124
2103.0090	SB 6/10 GS 91	127	2161.0026	SB 6/10 GS Z	127	2432.0007	SB 5/10 GW 7	124
2103.0091	SB 6/10 GS 92	127	2161.0027	SB 6/10 GS PE	127	2432.0008	SB 5/10 GW 8	124
2103.0092	SB 6/10 GS 93	127	2161.0028	SB 6/10 GS PEN	127	2432.0009	SB 5/10 GW 9	124
2103.0093	SB 6/10 GS 94	127	2161.0029	SB 6/10 GS MP	127	2432.0010	SB 5/10 GW 10	124
2103.0094	SB 6/10 GS 95	127	2161.0030	SB 6/10 GS SL	127	2432.0011	SB 5/10 GW 11	124
2103.0095	SB 6/10 GS 96	127	2161.0031	SB 6/10 GS T1	127	2432.0012	SB 5/10 GW 12	124
2103.0096	SB 6/10 GS 97	127	2161.0032	SB 6/10 GS T2	127	2432.0013	SB 5/10 GW 13	124
2103.0097	SB 6/10 GS 98	127	2161.0033	SB 6/10 GS T3	127	2432.0014	SB 5/10 GW 14	124
2103.0098	SB 6/10 GS 99	127	2161.0034	SB 6/10 GS +	127	2432.0015	SB 5/10 GW 15	124
2103.0099	SB 6/10 GS 100	127	2161.0035	SB 6/10 GS -	127	2432.0016	SB 5/10 GW 16	124
2103.0100	SB 6/10 GS 90	127	2161.0036	SB 6/10 GS ~	127	2432.0017	SB 5/10 GW 17	124
2129.0	Ssch 10 x 3 CU	72, 74	2161.0037	SB 6/10 GS Earth	127	2432.0018	SB 5/10 GW 18	124
2149.0001	SB 6/10 FS U; V; W; N; PE	126	2161.0038	SB 6/10 GS Earth with circle	127	2432.0019	SB 5/10 GW 19	124
2149.0002	SB 6/10 FS R; S; T; N; Earth with circle	126	2175.0001	SB 6/10 GW +	127	2432.0020	SB 5/10 GW 20	124
2149.0003	SB 6/10 FS L1; L2; L3; N; PE	126	2175.0002	SB 6/10 GW -	127	2432.0021	SB 5/10 GW 21	125
2149.0004	SB 6/10FWL1; L2; L3; N; Earth with circle	126	2175.0003	SB 6/10 GW ~	127	2432.0022	SB 5/10 GW 22	125
2157.0001	SB 6/10 GW A	127	2175.0004	SB 6/10 GW Earth	127	2432.0023	SB 5/10 GW 23	125
2157.0002	SB 6/10 GW B	127	2175.0005	SB 6/10 GW Earth with circuit	127	2432.0024	SB 5/10 GW 24	125
2157.0003	SB 6/10 GW C	127	2278.0	SDIK 1.0 x 80	112	2432.0025	SB 5/10 GW 25	125
2157.0004	SB 6/10 GW D	127	2279.0	SDIK 2.0 x 100	112	2432.0026	SB 5/10 GW 26	125
2157.0005	SB 6/10 GW E	127	2289.0	SDK 1,0 x 80	112	2432.0027	SB 5/10 GW 27	125
2157.0006	SB 6/10 GW F	127	2290.0	SDK 2,0 x 100	112	2432.0028	SB 5/10 GW 28	125
2157.0007	SB 6/10 GW G	127	2303.0	TSTW/M6	104	2432.0029	SB 5/10 GW 29	125
2157.0008	SB 6/10 GW H	127	2304.0	BS M 6 x 12/15	104, 105	2432.0030	SB 5/10 GW 30	125
2157.0009	SB 6/10 GW I	127	2361.0	SchT 7, long joint	108	2432.0031	SB 5/10 GW 31	125
2157.0010	SB 6/10 GW J	127	2404.0001	SB 5/10 FW X1; Y1; Z1	124	2432.0032	SB 5/10 GW 32	125
2157.0011	SB 6/10 GW K	127	2404.0002	SB 5/10 FW X2; Y2; Z2	124	2432.0033	SB 5/10 GW 33	125
2157.0012	SB 6/10 GW L	127	2404.0003	SB 5/10 FW X3; Y3; Z3	124	2432.0034	SB 5/10 GW 34	125
2157.0013	SB 6/10 GW M	127	2404.0004	SB 5/10 FW X4; Y4; Z4	124	2432.0035	SB 5/10 GW 35	125
2157.0014	SB 6/10 GW N	127	2404.0005	SB 5/10 FW X5; Y5; Z5	124	2432.0036	SB 5/10 GW 36	125
2157.0015	SB 6/10 GW O	127	2404.0006	SB 5/10 FW X6; Y6; Z6	124	2432.0037	SB 5/10 GW 37	125
2157.0016	SB 6/10 GW P	127	2404.0007	SB 5/10 FW X7; Y7; Z7	124	2432.0038	SB 5/10 GW 38	125
2157.0017	SB 6/10 GW Q	127	2404.0008	SB 5/10 FW X8; Y8; Z8	124	2432.0039	SB 5/10 GW 39	125
2157.0018	SB 6/10 GW R	127	2404.0009	SB 5/10 FW X9; Y9; Z9	124	2432.0040	SB 5/10 GW 40	125
2157.0019	SB 6/10 GW S	127	2404.0010	SB 5/10 FW X10; Y10; Z10	124	2432.0041	SB 5/10 GW 41	125
2157.0020	SB 6/10 GW T	127	2404.0011	SB 5/10 FW R1; S1; T1	124	2432.0042	SB 5/10 GW 42	125
2157.0021	SB 6/10 GW U	127	2404.0012	SB 5/10 FW R2; S2; T2	124	2432.0043	SB 4/50 GW 43	125

Cat. no.	Type	Page	Cat. no.	Type	Page	Cat. no.	Type	Page
2432.0044	SB 5/10 GW 44	125	2434.0009	SB 5/10 GS 9	125	2434.0084	SB 5/10 GS 84	125
2432.0045	SB 5/10 GW 45	125	2434.0010	SB 5/10 GS 10	125	2434.0085	SB 5/10 GS 85	125
2432.0046	SB 5/10 GW 46	125	2434.0011	SB 5/10 GS 11	125	2434.0086	SB 5/10 GS 86 WH	125
2432.0047	SB 5/10 GW 47	125	2434.0012	SB 5/10 GS 12	125	2434.0087	SB 5/10 GS 87 WH	125
2432.0048	SB 5/10 GW 48	125	2434.0013	SB 5/10 GS 13	125	2434.0088	SB 5/10 GS 88 WH	125
2432.0049	SB 5/10 GW 49	125	2434.0014	SB 5/10 GS 14	125	2434.0089	SB 5/10 GS 89 WH	125
2432.0050	SB 5/10 GW 50	125	2434.0015	SB 5/10 GS 15	125	2434.0090	SB 5/10 GS 90 WH	125
2432.0051	SB 5/10 GW 51	125	2434.0016	SB 5/10 GS 16	125	2434.0091	SB 5/10 GS 91 WH	125
2432.0052	SB 5/10 GW 52	125	2434.0017	SB 5/10 GS 17	125	2434.0092	SB 5/10 GS 92 WH	125
2432.0053	SB 5/10 GW 53	125	2434.0018	SB 5/10 GS 18	125	2434.0093	SB 5/10 GS 93 WH	125
2432.0054	SB 5/10 GW 54	125	2434.0019	SB 5/10 GS 19	125	2434.0094	SB 5/10 GS 94 WH	125
2432.0055	SB 5/10 GW 55	125	2434.0020	SB 5/10 GS 20	125	2434.0095	SB 5/10 GS 95 WH	125
2432.0056	SB 5/10 GW 56	125	2434.0021	SB 5/10 GS 21	125	2434.0096	SB 5/10 GS 96 WH	125
2432.0057	SB 5/10 GW 57	125	2434.0022	SB 5/10 GS 22	125	2434.0097	SB 5/10 GS 97 WH	125
2432.0058	SB 5/10 GW 58	125	2434.0023	SB 5/10 GS 23	125	2434.0098	SB 5/10 GS 98 WH	125
2432.0059	SB 5/10 GW 59	125	2434.0024	SB 5/10 GS 24	125	2434.0099	SB 5/10 GS 99 WH	125
2432.0060	SB 5/10 GW 60	125	2434.0025	SB 5/10 GS 25	125	2434.0100	SB 5/10 GS 100 WH	125
2432.0061	SB 5/10 GW 61	125	2434.0026	SB 5/10 GS 26	125	2471.0001	SB 5/10 FW U;V;W;N;PE WH	124
2432.0062	SB 5/10 GW 62	125	2434.0027	SB 5/10 GS 27	125	2471.0002	SB 5/10 FW R;S;T;N;Earth with circle WH	124
2432.0063	SB 5/10 GW 63	125	2434.0028	SB 5/10 GS 28	125	2471.0003	SB 5/10 FW L1;L2;L3;N;PE WH	124
2432.0064	SB 5/10 GW 64	125	2434.0029	SB 5/10 GS 29	125	2471.0004	SB 5/10 FW L1;L2;L3;N;Earth with circle WH	124
2432.0065	SB 5/10 GW 65	125	2434.0030	SB 5/10 GS 30	125	2472.0001	SB 5/10 FS X1;Y1;Z1 WH	124
2432.0066	SB 5/10 GW 66	125	2434.0031	SB 5/10 GS 31	125	2472.0002	SB 5/10 FS X2;Y2;Z2 WH	124
2432.0067	SB 5/10 GW 67	125	2434.0032	SB 5/10 GS 32	125	2472.0003	SB 5/10 FS X3;Y3;Z3 WH	124
2432.0068	SB 5/10 GW 68	125	2434.0033	SB 5/10 GS 33	125	2472.0004	SB 5/10 FS X4;Y4;Z4 WH	124
2432.0069	SB 5/10 GW 69	125	2434.0034	SB 5/10 GS 34	125	2472.0005	SB 5/10 FS X5;Y5;Z5 WH	124
2432.0070	SB 5/10 GW 70	125	2434.0035	SB 5/10 GS 35	125	2472.0006	SB 5/10 FS X6;Y6;Z6 WH	124
2432.0071	SB 5/10 GW 71	125	2434.0036	SB 5/10 GS 36	125	2472.0007	SB 5/10 FS X7;Y7;Z7 WH	124
2432.0072	SB 5/10 GW 72	125	2434.0037	SB 5/10 GS 37	125	2472.0008	SB 5/10 FS X8;Y8;Z8 WH	124
2432.0073	SB 5/10 GW 73	125	2434.0038	SB 5/10 GS 38	125	2472.0009	SB 5/10 FS X9;Y9;Z9 WH	124
2432.0074	SB 5/10 GW 74	125	2434.0039	SB 5/10 GS 39	125	2472.0010	SB 5/10 FS X10;Y10;Z10 WH	124
2432.0075	SB 5/10 GW 75	125	2434.0040	SB 5/10 GS 40	125	2472.0011	SB 5/10 FS R1;S1;T1 WH	124
2432.0076	SB 5/10 GW 76	125	2434.0041	SB 5/10 GS 41	125	2472.0012	SB 5/10 FS R2;S2;T2 WH	124
2432.0077	SB 5/10 GW 77	125	2434.0042	SB 5/10 GS 42	125	2472.0013	SB 5/10 FS R3;S3;T3 WH	124
2432.0078	SB 5/10 GW 78	125	2434.0043	SB 5/10 GS 43	125	2472.0014	SB 5/10 FS R4;S4;T4 WH	124
2432.0079	SB 5/10 GW 79	125	2434.0044	SB 5/10 GS 44	125	2472.0015	SB 5/10 FS R5;S5;T5 WH	124
2432.0080	SB 5/10 GW 80	125	2434.0045	SB 5/10 GS 45	125	2472.0016	SB 5/10 FS R6;S6;T6 WH	124
2432.0081	SB 5/10 GW 81	125	2434.0046	SB 5/10 GS 46	125	2472.0017	SB 5/10 FS R7;S7;T7 WH	124
2432.0082	SB 5/10 GW 82	125	2434.0047	SB 5/10 GS 47	125	2472.0018	SB 5/10 FS R8;S8;T8 WH	124
2432.0083	SB 5/10 GW 83	125	2434.0048	SB 5/10 GS 48	125	2472.0019	SB 5/10 FS R9;S9;T9 WH	124
2432.0084	SB 5/10 GW 84	125	2434.0049	SB 5/10 GS 49	125	2472.0020	SB 5/10 FS R10;S10;T10 WH	124
2432.0085	SB 5/10 GW 85	125	2434.0050	SB 5/10 GS 50	125	2472.0021	SB 5/10 FS U1;V1;W1 WH	124
2432.0086	SB 5/10 GW 86	125	2434.0051	SB 5/10 GS 51	125	2472.0022	SB 5/10 FS U2;V2;W2 WH	124
2432.0087	SB 5/10 GW 87	125	2434.0052	SB 5/10 GS 52	125	2472.0023	SB 5/10 FS U3;V3;W3 WH	124
2432.0088	SB 5/10 GW 88	125	2434.0053	SB 5/10 GS 53	125	2472.0024	SB 5/10 FS U4;V4;W4 WH	124
2432.0089	SB 5/10 GW 89	125	2434.0054	SB 5/10 GS 54	125	2472.0025	SB 5/10 FS U5;V5;W5 WH	124
2432.0090	SB 5/10 GW 90	125	2434.0055	SB 5/10 GS 55	125	2472.0026	SB 5/10 FS U6;V6;W6 WH	124
2432.0091	SB 5/10 GW 91	125	2434.0056	SB 5/10 GS 56	125	2472.0027	SB 5/10 FS U7;V7;W7 WH	124
2432.0092	SB 5/10 GW 92	125	2434.0057	SB 5/10 GS 57	125	2472.0028	SB 5/10 FS U8;V8;W8 WH	124
2432.0093	SB 5/10 GW 93	125	2434.0058	SB 5/10 GS 58	125	2472.0029	SB 5/10 FS U9;V9;W9 WH	124
2432.0094	SB 5/10 GW 94	125	2434.0059	SB 5/10 GS 59	125	2472.0030	SB 5/10 FS U10;V10;W10 WH	124
2432.0095	SB 5/10 GW 95	125	2434.0060	SB 5/10 GS 60	125	2473.0001	SB 5/10 FS U;V;W;N;PE WH	124
2432.0096	SB 5/10 GW 96	125	2434.0061	SB 5/10 GS 61	125	2473.0002	SB 5/10 FS R;S;T;N;Earth with circle WH	124
2432.0097	SB 5/10 GW 97	125	2434.0062	SB 5/10 GS 62	125	2473.0003	SB 5/10 FS L1;L2;L3;N;PE WH	124
2432.0098	SB 5/10 GW 98	125	2434.0063	SB 5/10 GS 63	125	2473.0004	SB 5/10 FS L1;L2;L3;N;Earth with circle WH	124
2432.0099	SB 5/10 GW 99	125	2434.0064	SB 5/10 GS 64	125	2474.0001	SB 5/10 GW A WH	125
2432.0100	SB 5/10 GW 100	125	2434.0065	SB 5/10 GS 65	125	2474.0002	SB 5/10 GW B WH	125
2433.0001	SB 5/10 FS 1-10	124	2434.0066	SB 5/10 GS 66	125	2474.0003	SB 5/10 GW C WH	125
2433.0002	SB 5/10 FS 11-20	124	2434.0067	SB 5/10 GS 67	125	2474.0004	SB 5/10 GW D WH	125
2433.0003	SB 5/10 FS 21-30	124	2434.0068	SB 5/10 GS 68	125	2474.0005	SB 5/10 GW E WH	125
2433.0004	SB 5/10 FS 31-40	124	2434.0069	SB 5/10 GS 69	125	2474.0006	SB 5/10 GW F WH	125
2433.0005	SB 5/10 FS 41-50	124	2434.0070	SB 5/10 GS 70	125	2474.0007	SB 5/10 GW G WH	125
2433.0006	SB 5/10 FS 51-60	124	2434.0071	SB 5/10 GS 71	125	2474.0008	SB 5/10 GW H WH	125
2433.0007	SB 5/10 FS 61-70	124	2434.0072	SB 5/10 GS 72	125	2474.0009	SB 5/10 GW I WH	125
2433.0008	SB 5/10 FS 71-80	124	2434.0073	SB 5/10 GS 73	125	2474.0010	SB 5/10 GW J WH	125
2433.0009	SB 5/10 FS 81-90	124	2434.0074	SB 5/10 GS 74	125	2474.0011	SB 5/10 GW K WH	125
2433.0010	SB 5/10 FS 91-100	124	2434.0075	SB 5/10 GS 75	125	2474.0012	SB 5/10 GW L WH	125
2434.0001	SB 5/10 GS 1	125	2434.0076	SB 5/10 GS 76	125	2474.0013	SB 5/10 GW M WH	125
2434.0002	SB 5/10 GS 2	125	2434.0077	SB 5/10 GS 77	125	2474.0014	SB 5/10 GW N WH	125
2434.0003	SB 5/10 GS 3	125	2434.0078	SB 5/10 GS 78	125	2474.0015	SB 5/10 GW O WH	125
2434.0004	SB 5/10 GS 4	125	2434.0079	SB 5/10 GS 79	125			
2434.0005	SB 5/10 GS 5	125	2434.0080	SB 5/10 GS 80	125			
2434.0006	SB 5/10 GS 6	125	2434.0081	SB 5/10 GS 81	125			
2434.0007	SB 5/10 GS 7	125	2434.0082	SB 5/10 GS 82	125			
2434.0008	SB 5/10 GS 8	125	2434.0083	SB 5/10 GS 83	125			

Cat. no.	Type	Page	Cat. no.	Type	Page	Cat. no.	Type	Page
2474.0016	SB 5/10 GW P WH	125	2583.0	STR GT 2 transparent	109	2990.0016	SB 6/10 FS R6;S6;T6 WH	126
2474.0017	SB 5/10 GW Q WH	125	2584.0	ESO	108, 109	2990.0017	SB 6/10 FS R7;S7;T7 WH	126
2474.0018	SB 5/10 GW R WH	125	2585.0	ESO 3	109	2990.0018	SB 6/10 FS R8;S8;T8 WH	126
2474.0019	SB 5/10 GW S WH	125	2704.0	TS 35x7.5 GL (6.2x18 mm)	102	2990.0019	SB 6/10 FS R9;S9;T9 WH	126
2474.0020	SB 5/10 GW T WH	125	2710.0	TS 35x7.5 ALU UGL	103	2990.0020	SB 6/10 FS R10;S10;T10 WH	126
2474.0021	SB 5/10 GW U WH	125	2711.0	TS 15 ALU UGL	104	2990.0021	SB 6/10 FS U1;V1;W1 WH	126
2474.0022	SB 5/10 GW V WH	125	2736.0	TST/M 5	105	2990.0022	SB 6/10 FS U2;V2;W2 WH	126
2474.0023	SB 5/10 GW W WH	125	2737.0	TST/M 6	105	2990.0023	SB 6/10 FS U3;V3;W3 WH	126
2474.0024	SB 5/10 GW X WH	125	2761.0	HES 35/ST	107	2990.0024	SB 6/10 FS U4;V4;W4 WH	126
2474.0025	SB 5/10 GW Y WH	125	2772.0	ISKS 6	113	2990.0025	SB 6/10 FS U5;V5;W5 WH	126
2474.0026	SB 5/10 GW Z WH	125	2773.0	ISKS 8	113	2990.0026	SB 6/10 FS U6;V6;W6 WH	126
2474.0027	SB 5/10 GW PE WH	125	2818.0	ISKS 5	113	2990.0027	SB 6/10 FS U7;V7;W7 WH	126
2474.0028	SB 5/10 GW PEN WH	125	2825.2	ES 32/2/K BG	106	2990.0028	SB 6/10 FS U8;V8;W8 WH	126
2474.0029	SB 5/10 GW MP WH	125	2826.2	ES 35/2/K BG	106	2990.0029	SB 6/10 FS U9;V9;W9 WH	126
2474.0030	SB 5/10 GW SL WH	125	2827.0	ES 32/K/ST BG	106	2990.0030	SB 6/10 FS U10;V10;W10 WH	126
2474.0031	SB 5/10 GW T1 WH	125	2828.0	ES 35/K/ST BG	106, 111	3		
2474.0032	SB 5/10 GW T2 WH	125	2873.3	VBS 2/10 OG	53	3026.0	H 10.0/22-D SR IV	67, 68
2474.0033	SB 5/10 GW T3 WH	125	2874.3	VBS 3/10 OG	53	3164.0	SDB 0.4x2.0	12, 13, 38, 39, 46-49, 50, 51, 53, 56-59, 62, 63, 66, 72-75, 112
2474.0034	SB 5/10 GW + WH	125	2877.0	ESO 2	109			
2474.0035	SB 5/10 GW - WH	125	2878.0	STR 2 transparent	109	3169.0	SDB 0,4x2.5	14, 15, 26, 27, 30, 31, 33, 112
2474.0036	SB 5/10 GW ~ WH	125	2888.0	SchT 2	109	3194.0	H 4,0/20-D SR GR	53, 66
2474.0037	SB 5/10 GW Earth without circle WH	125	2940.0	SB 8/10 WH	128	3200.1	FRK 1.5/2A GN	38
2474.0038	SB 5/10 GW Earth with circle WH	125	2957.2	TWMF BG	110	3200.2	FRK 1.5/2A BG	38
2475.0001	SB 5/10 GS A WH	125	2957.3	TWMF OG	110	3200.3	FRK 1.5/2A OG	38
2475.0002	SB 5/10 GS B WH	125	2957.5	TWMF BU	110	3200.5	FRK 1.5/2A BU	38
2475.0003	SB 5/10 GS C WH	125	2958.2	AD 3/1000 mm transparent	110	3200.8	FRK 1.5/2A YE	38
2475.0004	SB 5/10 GS D WH	125	2989.0001	SB 6/10 FW X1;Y1;Z1 WH	126	3200.9	FRK 1.5/2A RD	38
2475.0005	SB 5/10 GS E WH	125	2989.0002	SB 6/10 FW X2;Y2;Z2 WH	126	3201.1	FRK 1.5/3A GN	38
2475.0006	SB 5/10 GS F WH	125	2989.0003	SB 6/10 FW X3;Y3;Z3 WH	126	3201.2	FRK 1.5/3A BG	38
2475.0007	SB 5/10 GS G WH	125	2989.0004	SB 6/10 FW X4;Y4;Z4 WH	126	3201.3	FRK 1.5/3A OG	38
2475.0008	SB 5/10 GS H WH	125	2989.0005	SB 6/10 FW X5;Y5;Z5 WH	126	3201.5	FRK 1.5/3A BU	38
2475.0009	SB 5/10 GS I WH	125	2989.0006	SB 6/10 FW X6;Y6;Z6 WH	126	3201.8	FRK 1.5/3A YE	38
2475.0010	SB 5/10 GS J WH	125	2989.0007	SB 6/10 FW X7;Y7;Z7 WH	126	3201.9	FRK 1.5/3A RD	38
2475.0011	SB 5/10 GS K WH	125	2989.0008	SB 6/10 FW X8;Y8;Z8 WH	126	3202.1	FRK 1.5/4A GN	39
2475.0012	SB 5/10 GS L WH	125	2989.0009	SB 6/10 FW X9;Y9;Z9 WH	126	3202.2	FRK 1.5/4A BG	39
2475.0013	SB 5/10 GS M WH	125	2989.0010	SB 6/10 FW X10;Y10;Z10 WH	126	3202.3	FRK 1.5/4A OG	39
2475.0014	SB 5/10 GS N WH	125	2989.0011	SB 6/10 FW R1;S1;T1 WH	126	3202.5	FRK 1.5/4A BU	39
2475.0015	SB 5/10 GS O WH	125	2989.0012	SB 6/10 FW R2;S2;T2 WH	126	3202.8	FRK 1.5/4A YE	39
2475.0016	SB 5/10 GS P WH	125	2989.0013	SB 6/10 FW R3;S3;T3 WH	126	3202.9	FRK 1.5/4A RD	39
2475.0017	SB 5/10 GS Q WH	125	2989.0014	SB 6/10 FW R4;S4;T4 WH	126	3203.2	FSL 1.5/2A GNYE	38
2475.0018	SB 5/10 GS R WH	125	2989.0015	SB 6/10 FW R5;S5;T5 WH	126	3204.2	FSL 1.5/3A GNYE	39
2475.0019	SB 5/10 GS S WH	125	2989.0016	SB 6/10 FW R6;S6;T6 WH	126	3205.2	FSL 1.5/4A GNYE	39
2475.0020	SB 5/10 GS T WH	125	2989.0017	SB 6/10 FW R7;S7;T7 WH	126	3206.2	FRKD 2.5/3A BG	50, 51
2475.0021	SB 5/10 GS U WH	125	2989.0018	SB 6/10 FW R8;S8;T8 WH	126	3206.3	FRKD 2.5/3A OG	50
2475.0022	SB 5/10 GS V WH	125	2989.0019	SB 6/10 FW R9;S9;T9 WH	126	3206.5	FRKD 2.5/3A BU	50
2475.0023	SB 5/10 GS W WH	125	2989.0020	SB 6/10 FW R10;S10;T10 WH	126	3207.2	FRKD 2.5/3A/SV BG	51
2475.0024	SB 5/10 GS X WH	125	2989.0021	SB 6/10 FW U1;V1;W1 WH	126	3207.3	FRKD 2.5/3A/SV OG	51
2475.0025	SB 5/10 GS Y WH	125	2989.0022	SB 6/10 FW U2;V2;W2 WH	126	3207.5	FRKD 2.5/3A/SV BU	51
2475.0026	SB 5/10 GS Z WH	125	2989.0023	SB 6/10 FW U3;V3;W3 WH	126	3208.2	FSLD 2.5/3A GNYE	51
2475.0027	SB 5/10 GS PE WH	125	2989.0024	SB 6/10 FW U4;V4;W4 WH	126	3209.2	FRKD 2.5/3A/DU/PE	51
2475.0028	SB 5/10 GS PEN WH	125	2989.0025	SB 6/10 FW U5;V5;W5 WH	126	3210.1	FRK 2.5/2A GN	40
2475.0029	SB 5/10 GS MP WH	125	2989.0026	SB 6/10 FW U6;V6;W6 WH	126	3210.2	FRK 2.5/2A BG	40
2475.0030	SB 5/10 GS SL WH	125	2989.0027	SB 6/10 FW U7;V7;W7 WH	126	3210.3	FRK 2.5/2A OG	40
2475.0031	SB 5/10 GS T1 WH	125	2989.0028	SB 6/10 FW U8;V8;W8 WH	126	3210.5	FRK 2.5/2A BU	40
2475.0032	SB 5/10 GS T2 WH	125	2989.0029	SB 6/10 FW U9;V9;W9 WH	126	3210.8	FRK 2.5/2A YE	40
2475.0033	SB 5/10 GS T3 WH	125	2989.0030	SB 6/10 FW U10;V10;W10 WH	126	3210.9	FRK 2.5/2A RD	40
2475.0034	SB 5/10 GS + WH	125	2990.0001	SB 6/10 FS X1;Y1;Z1 WH	126	3211.1	FRK 2.5/3A GN	40
2475.0035	SB 5/10 GS - WH	125	2990.0002	SB 6/10 FS X2;Y2;Z2 WH	126	3211.2	FRK 2.5/3A BG	40
2475.0036	SB 5/10 GS ~ WH	125	2990.0003	SB 6/10 FS X3;Y3;Z3 WH	126	3211.3	FRK 2.5/3A OG	40
2475.0037	SB 5/10 GS Earth WH	125	2990.0004	SB 6/10 FS X4;Y4;Z4 WH	126	3211.5	FRK 2.5/3A BU	40
2475.0038	SB 5/10 GS Earth with circle	125	2990.0005	SB 6/10 FS X5;Y5;Z5 WH	126	3211.8	FRK 2.5/3A YE	40
2504.0	SchT 7	108	2990.0006	SB 6/10 FS X6;Y6;Z6 WH	126	3211.9	FRK 2.5/3A RD	40
2506.0	STR 1 transparent	108, 109	2990.0007	SB 6/10 FS X7;Y7;Z7 WH	126	3212.1	FRK 2.5/4A GN	41
2528.0	SchT 4/8	108	2990.0008	SB 6/10 FS X8;Y8;Z8 WH	126			
2529.0	SchT 6/12	108	2990.0009	SB 6/10 FS X9;Y9;Z9 WH	126			
2530.0	SchT 11	109	2990.0010	SB 6/10 FS X10;Y10;Z10 WH	126			
2531.0	SchT 12	109	2990.0011	SB 6/10 FS R1;S1;T1 WH	126			
2563.0	TSTW/F/M 6	104	2990.0012	SB 6/10 FS R2;S2;T2 WH	126			
2571.0	AS 3/10 WH	108, 109	2990.0013	SB 6/10 FS R3;S3;T3 WH	126			
2579.0	STR 3 transparent	109	2990.0014	SB 6/10 FS R4;S4;T4 WH	126			
2580.0	ESO GT 1	109	2990.0015	SB 6/10 FS R5;S5;T5 WH	126			
2582.0	STR GT 1 transparent	109						

Cat. no.	Type	Page	Cat. no.	Type	Page	Cat. no.	Type	Page
3212.2	FRK 2.5/4A BG	41	3258.3	FTRK 2.5/3A/OT OG	57, 59	3401.3	FAP 1.5/3A OG	82
3212.3	FRK 2.5/4A OG	41	3258.5	FTRK 2.5/3A/OT BU	57, 59	3401.5	FAP 1.5/3A BU	82
3212.5	FRK 2.5/4A BU	41	3259.2	FTRK 2.5/2A/MT BG	56	3401.8	FAP 1.5/3A YE	82
3212.8	FRK 2.5/4A YE	41	3259.3	FTRK 2.5/2A/MT OG	56	3401.9	FAP 1.5/3A RD	82
3212.9	FRK 2.5/4A RD	41	3259.5	FTRK 2.5/2A/MT BU	56	3402.1	FAP 1.5/4A GN	39, 82
3213.2	FSL 2.5/2A GNYE	40	3260.2	FTRK 2.5/3A/MT BG	56	3402.2	FAP 1.5/4A BG	39, 82
3214.2	FSL 2.5/3A GNYE	41	3260.3	FTRK 2.5/3A/MT OG	56	3402.3	FAP 1.5/4A OG	82
3215.2	FSL 2.5/4A GNYE	41	3260.5	FTRK 2.5/3A/MT BU	56	3402.5	FAP 1.5/4A BU	82
3216.2	FRKI 6-10/3A BG	68	3261.2	FTRK 2.5/2A/ST BG	56	3402.8	FAP 1.5/4A YE	82
3216.3	FRKI 6-10/3A OG	68	3261.5	FTRK 2.5/2A/ST BU	56	3402.9	FAP 1.5/4A RD	82
3216.5	FRKI 6-10/3A BU	68	3262.2	FTRK 2.5/3A/ST BG	57	3411.1	FAP 2.5/3A GN	41
3217.2	FSLI 6-10/3A GNYE	68	3262.5	FTRK 2.5/3A/ST BU	57	3411.2	FAP 2.5/3A BG	40, 82
3220.1	FRK 4/2A GN	42	3263.2	FTRK 2.5/2A/ZS BG	58	3411.3	FAP 2.5/3A OG	82
3220.2	FRK 4/2A BG	42	3263.5	FTRK 2.5/2A/ZS BU	58	3411.5	FAP 2.5/3A BU	82
3220.3	FRK 4/2A OG	42	3264.2	FTRK 2.5/2A/ZS 36 BG	58	3411.8	FAP 2.5/3A YE	82
3220.5	FRK 4/2A BU	42	3265.2	FTRK 2.5/2A/ZS 70 BG	58	3411.9	FAP 2.5/3A RD	82
3220.8	FRK 4/2A YE	42	3266.2	FTRK 2.5/2A/ZS 150 BG	58	3412.1	FAP 2.5/4A GN	41, 82
3220.9	FRK 4/2A RD	42	3267.2	FTRK 2.5/2A/ZS 250 BG	58	3412.2	FAP 2.5/4A BG	41, 82
3221.1	FRK 4/3A GN	42	3268.2	FTRK 2.5/3A/ZS BG	58	3412.3	FAP 2.5/4A OG	82
3221.2	FRK 4/3A BG	42	3268.5	FTRK 2.5/3A/ZS BU	58	3412.5	FAP 2.5/4A BU	82
3221.3	FRK 4/3A OG	42	3269.2	FTRK 2.5/3A/ZS 36 BG	59	3412.8	FAP 2.5/4A YE	82
3221.5	FRK 4/3A BU	42	3269.5	FTRK 2.5/3A/ZS 36 BU	59	3412.9	FAP 2.5/4A RD	82
3221.8	FRK 4/3A YE	42	3270.2	FTRK 2.5/3A/ZS 70 BG	59	3421.1	FAP 4/3A GN	43, 82
3221.9	FRK 4/3A RD	42	3270.5	FTRK 2.5/3A/ZS 70 BU	59	3421.2	FAP 4/3A BG	42, 82
3222.1	FRK 4/4A GN	43	3271.2	FTRK 2.5/3A/ZS 150 BG	59	3421.3	FAP 4/3A OG	82
3222.2	FRK 4/4A BG	43	3271.5	FTRK 2.5/3A/ZS 150 BU	59	3421.5	FAP 4/3A BU	82
3222.3	FRK 4/4A OG	43	3272.2	FTRK 2.5/3A/ZS 250 BG	59	3421.8	FAP 4/3A YE	82
3222.5	FRK 4/4A BU	43	3272.5	FTRK 2.5/3A/ZS 250 BU	59	3421.9	FAP 4/3A RD	82
3222.8	FRK 4/4A YE	43	3273.5	FNT 2.5-4 BU	66	3422.1	FAP 4/4A GN	43, 82
3222.9	FRK 4/4A RD	43	3274.5	FNT 6-10 BU	67	3422.2	FAP 4/4A BG	43, 82
3223.2	FSL 4/2A GNYE	42	3275.5	FNT 16 BU	69	3422.3	FAP 4/4A OG	82
3224.2	FSL 4/3A GNYE	43	3276.2	FRKI 2.5-4 BG	66	3422.5	FAP 4/4A BU	82
3225.2	FSL 4/4A GNYE	43	3276.3	FRKI 2.5-4 OG	66	3422.8	FAP 4/4A YE	82
3226.1	FRKD 2.5 GN	46	3276.5	FRKI 2.5-4 BU	66	3422.9	FAP 4/4A RD	82
3226.2	FRKD 2.5 BG	46	3277.2	FRKI 6-10 BG	67	3423.1	FAPD 2.5 GN	46, 82
3226.3	FRKD 2.5 OG	46	3277.3	FRKI 6-10 OG	67	3423.2	FAPD 2.5 BG	46-49, 82
3226.5	FRKD 2.5 BU	46	3277.5	FRKI 6-10 BU	67	3423.3	FAPD 2.5 OG	82
3226.8	FRKD 2.5 YE	46	3278.2	FRKI 16/2A BG	68	3423.5	FAPD 2.5 BU	82
3226.9	FRKD 2.5 RD	46	3278.3	FRKI 16/2A OG	68	3424.2	FBA 1 BG	46, 47, 49, 50, 51, 77, 94
3227.1	FRKD 2.5/SV GN	46	3278.5	FRKI 16/2A BU	68	3425.8	FAD 1.5/4/B YE	38, 39, 94
3227.2	FRKD 2.5/SV BG	46	3279.2	FSLI 2.5-4 GNYE	66	3426.8	FAD 2.5/4/B YE	40, 41, 46-51, 56-59, 66, 94
3227.3	FRKD 2.5/SV OG	46	3280.2	FSLI 6-10 GNYE	67	3427.8	FAD 4/4/B YE	42, 43, 94
3227.5	FRKD 2.5/SV BU	46	3281.2	FSLI 16/2A GNYE	69	3450.4	FQI 1.5/10 BK	90
3227.8	FRKD 2.5/SV YE	46	3282.2	FDLI 2.5-4 MT/L/PE	62	3450.5	FQI 1.5/10 BU	90
3227.9	FRKD 2.5/SV RD	46	3283.2	FDLI 2.5-4 NT/L/PE	62	3450.8	FQI 1.5/10 YE	38, 39, 90
3230.2	FRKD 2.5/D1 BG	48	3284.2	FDLI 2.5-4 NT/L	62	3450.9	FQI 1.5/10 RD	90
3233.2	FRKD 2.5/N/DU	47	3285.2	FDLI 2.5-4 L/L/PE	62	3452.4	FQI 1.5/2 BK	90
3234.2	FRKD 2.5/DU/PE	47	3286.2	FDLI 2.5-4 L/L	63	3452.5	FQI 1.5/2 BU	90
3235.2	FRKD 2.5/N/PE	47	3287.2	FDLI 2.5-4 OT/L/PE	63	3452.8	FQI 1.5/2 YE	38, 39, 90
3236.2	FSLD 2.5 GNYE	46	3288.2	FDLI 2.5-4 OT/L	63	3452.9	FQI 1.5/2 RD	90
3237.2	FRKD 2.5/LED1(RD) 24V DC BG	48	3289.2	FDLI 2.5-4 MT/L	62	3453.4	FQI 1.5/3 BK	90
3238.2	FRKD 2.5/LED2(RD) 24V DC BG	48	3290.4	FSIK 4/2A BK	53, 83	3453.5	FQI 1.5/3 BU	90
3239.4	FSIK 4/2A/MT BK	53	3291.4	FSIK 4/2A/LED 12-30V AC/DC BK	53	3453.8	FQI 1.5/3 YE	38, 39, 90
3240.2	FDLIS 2.5-4 NT/L/PE	72	3292.4	FSIK 4/2A/LED 30-60V AC/DC BK	53	3453.9	FQI 1.5/3 RD	90
3241.2	FDLIS 2.5-4 N/L/PE	72	3293.4	FSIK 4/2A/LED/110-250V AC/DC BK	53	3454.4	FQI 1.5/4 BK	90
3242.2	FDLIS 2.5-4 L/L/PE	72	3294.2	FRK 16/2A BG	43	3454.5	FQI 1.5/4 BU	90
3243.2	FDLIS 2.5-4 N/L	73	3294.3	FRK 16/2A OG	43	3454.8	FQI 1.5/4 YE	38, 39, 90
3244.2	FDLIS 2.5-4 L/L	73	3294.5	FRK 16/2A BU	43	3454.9	FQI 1.5/4 RD	90
3245.2	FDLIS 2.5-4 N	73	3295.2	FIK 2.5/3 BG	77	3455.4	FQI 1.5/5 BK	90
3246.2	FDLIS 2.5-4 L	73	3296.2	FIK 2.5/3/LED(RD) BG	77	3455.5	FQI 1.5/5 BU	90
3247.2	FDLIS B 2.5-4 3NT/3L/3PE	74	3299.2	FSL 16/2A GNYE	43	3455.8	FQI 1.5/5 YE	38, 39, 90
3248.2	FDLIS B 2.5-4 NT/3L/PE	74	3300.7	MC SB 5/200 WH	108, 109	3455.9	FQI 1.5/5 RD	90
3249.2	FDLIS B 2.5-4 3L/3N/3PE	74	3327.7	PMC SB 7.5/40 So WH	117	3456.4	FQI 1.5/6 BK	90
3250.2	FDLIS B 2.5-4 3L/N/PE	75	3400.1	FAP 1.5-4/2A GN	38, 40, 42, 82	3456.5	FQI 1.5/6 BU	90
3251.2	FDLIS B 2.5-4 6L	75	3400.2	FAP 1.5-4/2A BG	38, 40, 42, 82			
3252.2	FDLIS B 2.5-4 6L/3PE	75	3400.3	FAP 1.5-4/2A OG	82			
3253.2	FRKD 2.5/D2 BG	49	3400.5	FAP 1.5-4/2A BU	82			
3254.2	FRKD 2.5/D3 BG	49	3400.8	FAP 1.5-4/2A YE	82			
3255.2	FRKD 2.5/D4 BG	49	3400.9	FAP 1.5-4/2A RD	82			
3256.2	FRKD 2.5/D5 BG	49	3401.1	FAP 1.5/3A GN	39, 82			
3257.2	FTRK 2.5/2A/OT BG	57, 59	3401.2	FAP 1.5/3A BG	38, 82			
3257.3	FTRK 2.5/2A/OT OG	57, 59						
3257.5	FTRK 2.5/2A/OT BU	57, 59						
3258.2	FTRK 2.5/3A/OT BG	57, 59						

Cat. no.	Type	Page	Cat. no.	Type	Page	Cat. no.	Type	Page
3456.8	FQI 1.5/6 YE	38, 39, 90	3469.8	FQI 2.5/9 YE	40, 41, 46-51, 56-59, 77, 90	3486.1	FAPI 16/2A GN	68, 69, 83
3456.9	FQI 1.5/6 RD	90				3486.2	FAPI 16/2A BG	83
3457.4	FQI 1.5/7 BK	90	3469.9	FQI 2.5/9 RD	77, 90	3486.3	FAPI 16/2A OG	83
3457.5	FQI 1.5/7 BU	90	3470.4	FQI 4/10 BK	91	3486.5	FAPI 16/2A BU	83
3457.8	FQI 1.5/7 YE	38, 39, 90	3470.5	FQI 4/10 BU	91	3487.2	FAPDT 4 BG	62, 63, 83
3457.9	FQI 1.5/7 RD	90	3470.8	FQI 4/10 YE	42, 43, 53, 91	3488.2	MT-FIX BG	63
3458.4	FQI 1.5/8 BK	90	3470.9	FQI 4/10 RD	91	3489.2	FAPSI 4/2A BG	83
3458.5	FQI 1.5/8 BU	90	3472.4	FQI 4/2 BK	91	3489.3	FAPSI 4/2A OG	83
3458.8	FQI 1.5/8 YE	38, 39, 90	3472.5	FQI 4/2 BU	91	3489.4	FAPSI 4/2A BK	53
3458.9	FQI 1.5/8 RD	90	3472.8	FQI 4/2 YE	42, 43, 53, 91	3489.5	FAPSI 4/2A BU	83
3459.4	FQI 1.5/9 BK	90	3472.9	FQI 4/2 RD	91	3490.8	FQI 2.5-4/10 YE	62, 63, 72-75, 90
3459.5	FQI 1.5/9 BU	90	3473.4	FQI 4/3 BK	91	3491.8	FQI 2.5-4/50 YE	62, 63
3459.8	FQI 1.5/9 YE	38, 39, 90	3473.5	FQI 4/3 BU	91	3492.8	FQI 2.5-4/2 YE	62, 63, 72-75, 90
3459.9	FQI 1.5/9 RD	90	3473.8	FQI 4/3 YE	42, 43, 53, 91	3493.8	FQI 2.5-4/3 YE	62, 63, 72-75, 90
3460.4	FQI 2.5/10 BK	77, 90	3473.9	FQI 4/3 RD	91	3494.8	FQI 2.5-4/4 YE	62, 63, 72, 73, 74, 75, 90
3460.5	FQI 2.5/10 BU	77, 90	3474.4	FQI 4/4 BK	91	3495.8	FQI 2.5-4/5 YE	62, 63, 72-75, 90
3460.8	FQI 2.5/10 YE	40, 41, 46-51, 56-59, 77, 90	3474.5	FQI 4/4 BU	91	3496.8	FQI 2.5-4/6 YE	62, 63, 72-75, 90
3460.9	FQI 2.5/10 RD	77, 90	3474.8	FQI 4/4 YE	42, 43, 53, 91	3497.8	FQI 2.5-4/7 YE	62, 63, 72-75, 90
3461.4	FQI 2.5/50 BK	77	3474.9	FQI 4/4 RD	91	3498.8	FQI 2.5-4/8 YE	62, 63, 72-75, 90
3461.5	FQI 2.5/50 BU	77	3475.4	FQI 4/5 BK	91	3499.8	FQI 2.5-4/9 YE	62, 63, 72-75, 90
3461.8	FQI 2.5/50 YE	77	3475.5	FQI 4/5 BU	91	3612.2	ZDS 1/ZTR	57, 63, 97
3461.9	FQI 2.5/50 RD	77	3475.8	FQI 4/5 YE	42, 43, 53, 91	3613.2	ZDS 2/ZTR	57, 63, 97
3462.4	FQI 2.5/2 BK	77, 90	3475.9	FQI 4/5 RD	91	3614.2	ZDS 3/ZTR	57, 63, 97
3462.5	FQI 2.5/2 BU	77, 90	3476.4	FQI 4/6 BK	91	3615.2	ZDS 4/ZTR	57, 63, 97
3462.8	FQI 2.5/2 YE	40, 41, 46-51, 56-59, 77, 90	3476.5	FQI 4/6 BU	91	3631.2	ZS/H1/ZTR/36	59, 63, 96
3462.9	FQI 2.5/2 RD	77, 90	3476.6	FQI 4/6 YE	42, 43, 53, 91	3632.2	ZS/H2/ZTR/70	59, 63, 96
3463.4	FQI 2.5/3 BK	77, 90	3476.8	FQI 4/6 RD	91	3633.2	ZS/H3/ZTR/150	59, 63, 97
3463.5	FQI 2.5/3 BU	77, 90	3477.4	FQI 4/7 BK	91	3634.2	ZS/H4/ZTR/250	59, 97
3463.8	FQI 2.5/3 YE	40, 41, 46-51, 56-59, 77, 90	3477.5	FQI 4/7 BU	91	3635.2	ZS/H0/ZTR	59, 63, 96
3463.9	FQI 2.5/3 RD	77, 90	3477.8	FQI 4/7 YE	42, 43, 53, 91	3748.2	ZES 35 BG	62, 63, 107
3464.4	FQI 2.5/4 BK	77, 90	3477.9	FQI 4/7 RD	91	3748.6	ZES 35 GR	18, 19, 20-23
3464.5	FQI 2.5/4 BU	77, 90	3478.4	FQI 4/8 BK	91	3749.0	SchT 9	108
3464.8	FQI 2.5/4 YE	40, 41, 46-51, 56-59, 77, 90	3478.5	FQI 4/8 BU	91	3773.0	ZSchT 1	108
3464.9	FQI 2.5/4 RD	77, 90	3478.8	FQI 4/8 YE	42, 43, 53, 91	3774.0	ZSchT 2	109
3465.4	FQI 2.5/5 BK	77, 90	3478.9	FQI 4/8 RD	91	3775.0	ZSchT 3	108
3465.5	FQI 2.5/5 BU	77, 90	3479.4	FQI 4/9 BK	91	3776.0	ZSchT 4	109
3465.8	FQI 2.5/5 YE	40, 41, 46-51, 56-59, 77, 90	3479.5	FQI 4/9 BU	91	3777.0	ZSchT 5	109
3465.9	FQI 2.5/5 RD	77, 90	3479.8	FQI 4/9 YE	42, 43, 53, 91	3783.2	GT 1	109
3466.4	FQI 2.5/6 BK	77, 90	3479.9	FQI 4/9 RD	91	3784.2	GT 2	109
3466.5	FQI 2.5/6 BU	77, 90	3480.2	FAP 4/S BG	72-75, 83	3807.0	ZSchT 6	109
3466.8	FQI 2.5/6 YE	40, 41, 46-51, 56-59, 77, 90	3480.3	FAP 4/S OG	83	3808.0	BWMA 1 (0.5 x 3.5 mm)	96
3466.9	FQI 2.5/6 RD	77, 90	3480.5	FAP 4/S BU	83	3809.0	SchT 10	108
3467.4	FQI 2.5/7 BK	77, 90	3481.1	FAPT 2.5/2A GN	83	3811.2	ZES 35/2 BG	38-43, 46-51, 53, 56-59, 66-69, 72-75, 77, 107, 111
3467.5	FQI 2.5/7 BU	77, 90	3481.2	FAPT 2.5/2A BG	56, 58, 83			
3467.8	FQI 2.5/7 YE	40, 41, 46-51, 56-59, 77, 90	3481.3	FAPT 2.5/2A OG	83			
3467.9	FQI 2.5/7 RD	77, 90	3481.5	FAPT 2.5/2A BU	83			
3468.4	FQI 2.5/8 BK	77, 90	3481.8	FAPT 2.5/2A YE	83			
3468.5	FQI 2.5/8 BU	77, 90	3481.9	FAPT 2.5/2A RD	83			
3468.8	FQI 2.5/8 YE	40, 41, 46-51, 56-59, 77, 90	3482.1	FAPT 2.5/3A GN	83			
3468.9	FQI 2.5/8 RD	77, 90	3482.2	FAPT 2.5/3A BG	57, 59, 83			
3469.4	FQI 2.5/9 BK	77, 90	3482.3	FAPT 2.5/3A OG	83			
3469.5	FQI 2.5/9 BU	77, 90	3482.5	FAPT 2.5/3A BU	83			
			3482.8	FAPT 2.5/3A YE	83			
			3482.9	FAPT 2.5/3A RD	83			
			3483.5	HP FDLIS 10x3 BU	66, 67			
			3484.1	FAPI 2.5-4/2A GN	66, 83			
			3484.2	FAPI 2.5-4/2A BG	66, 83			
			3484.3	FAPI 2.5-4/2A OG	83			
			3484.5	FAPI 2.5-4/2A BU	66, 83			
			3485.1	FAPI 6-10/2A GN	67, 83			
			3485.2	FAPI 6-10/2A BG	67, 83			
			3485.3	FAPI 6-10/2A OG	83			
			3485.5	FAPI 6-10/2A BU	67, 83			
			3485.9	FAPI 6-10/2A RD	83			

Cat. no.	Type	Page	Cat. no.	Type	Page	Cat. no.	Type	Page
3811.6	ZES 35/2 GR	12-17, 26, 27, 30, 31, 33	4643.7	PMC SB 5/50 FS 71-80 WH	115	4716.7	PMC SB 6/50 FW 151-200 WH	116
3812.2	ZES 15 BG	107	4644.7	PMC SB 5/50 FS 81-90 WH	115	4717.7	PMC SB 6/50 FW 201-250 WH	116
3831.0	BW 1 (FRK)	96	4645.7	PMC SB 5/50 FS 91-100 WH	115	4718.7	PMC SB 6/50 FW 251-300 WH	116
3832.0	BW 2 (FRK)	96	4646.7	PMC SB 5/50 FS 1-50 WH	115	4719.7	PMC SB 6/50 FW 301-350 WH	116
3833.0	BW 3 (FRK)	96	4647.7	PMC SB 5/50 FS 51-100 WH	115	4720.7	PMC SB 6/50 FW 351-400 WH	116
3834.0	BW 4 (FRK)	96	4648.7	PMC SB 5/50 FS 101-150 WH	115	4721.7	PMC SB 6/50 FW 401-450 WH	116
3835.0	BW 5 (FRK)	96	4649.7	PMC SB 5/50 FS 151-200 WH	115	4722.7	PMC SB 6/50 FW 451-500 WH	116
3836.0	BW 6 (FRK)	97	4650.7	PMC SB 5/50 FS 201-250 WH	115	4723.7	PMC SB 6/50 FW 501-550 WH	116
3837.0	BW 7 (FRK)	97	4651.7	PMC SB 5/50 FS 251-300 WH	115	4724.7	PMC SB 6/50 FW 551-600 WH	116
3838.0	BW 8 (FRK)	97	4652.7	PMC SB 5/50 FS 301-350 WH	115	4725.7	PMC SB 6/50 FW 601-650 WH	116
3839.0	BW 9 (FRK)	97	4653.7	PMC SB 5/50 FS 351-400 WH	115	4726.7	PMC SB 6/50 FW 651-700 WH	116
3840.0	BW 10 (FRK)	97	4654.7	PMC SB 5/50 FS 401-450 WH	115	4727.7	PMC SB 6/50 FW 701-750 WH	116
3841.0	BWMA 1 (0.5 x 2.5 mm)	96	4655.7	PMC SB 5/50 FS 451-500 WH	115	4728.7	PMC SB 6/50 FW 751-800 WH	116
3917.7	GKE 30/6 WH	108, 109	4656.7	PMC SB 5/50 FS 501-550 WH	115	4729.7	PMC SB 6/50 FW 801-850 WH	116
4			4657.7	PMC SB 5/50 FS 551-600 WH	115	4730.7	PMC SB 6/50 FW 851-900 WH	116
4561.0	TS 35x15 Steel UGL/galva- nised	103	4658.7	PMC SB 5/50 FS 601-650 WH	115	4731.7	PMC SB 6/50 FW 901-950 WH	116
4562.0	TS 35x7.5 Steel UGL/galvanised	103	4659.7	PMC SB 5/50 FS 651-700 WH	115	4732.7	PMC SB 6/50 FW L1,L2,L3,N,PE WH	116
4563.0	TS 35x7.5 Steel GL/galva- nized	103	4660.7	PMC SB 5/50 FS 701-750 WH	115	4733.7	PMC SB 6/50 FW U1,V1,W1,N,PE WH	116
4564.0	TS 35x15 Steel GL/galva- nized	103	4661.7	PMC SB 5/50 FS 751-800 WH	115	4734.7	PMC SB 6/50 FW U1,V1,W1 WH	116
4566.0	TS 35x15 GL (6.2x18 mm)	102, 105	4662.7	PMC SB 5/50 FS 801-850 WH	115	4735.7	PMC SB 6/50 FW U2,V2,W2,N,PE WH	116
4600.7	PMC SB 5/50 WH	40, 41, 46-51, 56-59, 62, 63, 66, 72-75, 77, 94, 96, 97, 108, 109, 115	4663.7	PMC SB 5/50 FS 851-900 WH	115	4736.7	PMC SB 6/50 FW U2,V2,W2 WH	116
4601.7	PMC SB 5/50 FW 1-10 WH	115	4664.7	PMC SB 5/50 FS L1,L2,L3,N,PE WH	115	4737.7	PMC SB 6/50 FW X1-X10 WH	116
4602.7	PMC SB 5/50 FW 11-20 WH	115	4665.7	PMC SB 5/50 FS U1,V1,W1,N,PE WH	115	4738.7	PMC SB 6/50 FS 1-10 WH	116
4603.7	PMC SB 5/50 FW 21-30 WH	115	4666.7	PMC SB 5/50 FS U1,V1,W1 WH	115	4739.7	PMC SB 6/50 FS 11-20 WH	116
4604.7	PMC SB 5/50 FW 31-40 WH	115	4667.7	PMC SB 5/50 FS U2,V2,W2,N,PE WH	115	4740.7	PMC SB 6/50 FS 21-30 WH	116
4605.7	PMC SB 5/50 FW 41-50 WH	115	4668.7	PMC SB 5/50 FS U2,V2,W2 WH	115	4741.7	PMC SB 6/50 FS 31-40 WH	116
4606.7	PMC SB 5/50 FW 51-60 WH	115	4669.7	PMC SB 5/50 FS X1-X10 WH	115	4742.7	PMC SB 6/50 FS 41-50 WH	116
4607.7	PMC SB 5/50 FW 61-70 WH	115	4670.7	PMC SB 5/50 GW 1 WH	115	4743.7	PMC SB 6/50 FS 51-60 WH	116
4608.7	PMC SB 5/50 FW 71-80 WH	115	4671.7	PMC SB 5/50 GW 2 WH	115	4744.7	PMC SB 6/50 FS 61-70 WH	116
4609.7	PMC SB 5/50 FW 81-90 WH	115	4672.7	PMC SB 5/50 GW 3 WH	115	4745.7	PMC SB 6/50 FS 71-80 WH	116
4611.7	PMC SB 5/50 FW 1-50 WH	115	4673.7	PMC SB 5/50 GW 4 WH	115	4746.7	PMC SB 6/50 FS 81-90 WH	116
4612.7	PMC SB 5/50 FW 51-100 WH	115	4674.7	PMC SB 5/50 GW 5 WH	115	4747.7	PMC SB 6/50 FS 91-100 WH	116
4613.7	PMC SB 5/50 FW 101-150 WH	115	4675.7	PMC SB 5/50 GW 6 WH	115	4748.7	PMC SB 6/50 FS 1-50 WH	117
4614.7	PMC SB 5/50 FW 151-200 WH	115	4676.7	PMC SB 5/50 GW 7 WH	115	4749.7	PMC SB 6/50 FS 51-100 WH	117
4615.7	PMC SB 5/50 FW 201-250 WH	115	4677.7	PMC SB 5/50 GW 8 WH	115	4750.7	PMC SB 6/50 FS 101-150 WH	117
4616.7	PMC SB 5/50 FW 251-300 WH	115	4678.7	PMC SB 5/50 GW 9 WH	115	4751.7	PMC SB 6/50 FS 151-200 WH	117
4617.7	PMC SB 5/50 FW 301-350 WH	115	4679.7	PMC SB 5/50 GW 0 WH	115	4752.7	PMC SB 6/50 FS 201-250 WH	117
4618.7	PMC SB 5/50 FW 351-400 WH	115	4680.7	PMC SB 5/50 GW X WH	115	4753.7	PMC SB 6/50 FS 251-300 WH	117
4619.7	PMC SB 5/50 FW 401-450 WH	115	4681.7	PMC SB 5/50 GW PE WH	115	4754.7	PMC SB 6/50 FS 301-350 WH	117
4620.7	PMC SB 5/50 FW 451-500 WH	115	4682.7	PMC SB 5/50 GW L1 WH	115	4755.7	PMC SB 6/50 FS 351-400 WH	117
4621.7	PMC SB 5/50 FW 501-550 WH	115	4683.7	PMC SB 5/50 GW L2 WH	115	4756.7	PMC SB 6/50 FS 401-450 WH	117
4622.7	PMC SB 5/50 FW 551-600 WH	115	4684.7	PMC SB 5/50 GW L3 WH	115	4757.7	PMC SB 6/50 FS 451-500 WH	117
4623.7	PMC SB 5/50 FW 601-650 WH	115	4685.7	PMC SB 5/50 GW N WH	115	4758.7	PMC SB 6/50 FS 501-550 WH	117
4624.7	PMC SB 5/50 FW 651-700 WH	115	4686.7	PMC SB 5/50 GS 1 WH	115	4759.7	PMC SB 6/50 FS 551-600 WH	117
4625.7	PMC SB 5/50 FW 701-750 WH	115	4687.7	PMC SB 5/50 GS 2 WH	115	4760.7	PMC SB 6/50 FS 601-650 WH	117
4626.7	PMC SB 5/50 FW 751-800 WH	115	4688.7	PMC SB 5/50 GS 3 WH	115	4761.7	PMC SB 6/50 FS 651-700 WH	117
4627.7	PMC SB 5/50 FW 801-850 WH	115	4689.7	PMC SB 5/50 GS 4 WH	115	4762.7	PMC SB 6/50 FS 701-750 WH	117
4628.7	PMC SB 5/50 FW 851-900 WH	115	4690.7	PMC SB 5/50 GS 5 WH	115	4763.7	PMC SB 6/50 FS 751-800 WH	117
4629.7	PMC SB 5/50 FW 901-950 WH	115	4691.7	PMC SB 5/50 GS 6 WH	115	4764.7	PMC SB 6/50 FS 801-850 WH	117
4631.7	PMC SB 5/50 FW U1,V1,W1,N,PE WH	115	4692.7	PMC SB 5/50 GS 7 WH	115	4765.7	PMC SB 6/50 FS 851-900 WH	117
4632.7	PMC SB 5/50 FW U1,V1,W1 WH	115	4693.7	PMC SB 5/50 GS 8 WH	115	4766.7	PMC SB 6/50 FS L1,L2,L3,N,PE WH	117
4634.7	PMC SB 5/50 FW U2,V2,W2 WH	115	4694.7	PMC SB 5/50 GS 9 WH	115	4767.7	PMC SB 6/50 FS U1,V1,W1,N,PE WH	117
4635.7	PMC SB 5/50 FW X1-X10 WH	115	4695.7	PMC SB 5/50 GS 0 WH	115	4768.7	PMC SB 6/50 FS U1,V1,W1 WH	117
4636.7	PMC SB 5/50 FS 1-10 WH	115	4696.7	PMC SB 5/50 GS X WH	115	4769.7	PMC SB 6/50 FS U2,V2,W2,N,PE WH	117
4637.7	PMC SB 5/50 FS 11-20 WH	115	4697.7	PMC SB 5/50 GS PE WH	115	4771.7	PMC SB 6/50 FS X1-X10 WH	117
4638.7	PMC SB 5/50 FS 21-30 WH	115	4698.7	PMC SB 5/50 GS L1 WH	115	4772.7	PMC SB 6/50 GW 1 WH	117
4639.7	PMC SB 5/50 FS 31-40 WH	115	4699.7	PMC SB 5/50 GS L2 WH	115	4773.7	PMC SB 6/50 GW 2 WH	117
4640.7	PMC SB 5/50 FS 41-50 WH	115	4700.7	PMC SB 5/50 GS L3 WH	115	4774.7	PMC SB 6/50 GW 3 WH	117
4641.7	PMC SB 5/50 FS 51-60 WH	115	4701.7	PMC SB 5/50 GS N WH	115	4775.7	PMC SB 6/50 GW 4 WH	117
4642.7	PMC SB 5/50 FS 61-70 WH	115	4702.7	PMC SB 6/50 WH	42, 43, 53, 95, 116	4776.7	PMC SB 6/50 GW 5 WH	117
			4703.7	PMC SB 6/50 FW 1-10 WH	116	4777.7	PMC SB 6/50 GW 6 WH	117
			4704.7	PMC SB 6/50 FW 11-20 WH	116	4778.7	PMC SB 6/50 GW 7 WH	117
			4705.7	PMC SB 6/50 FW 21-30 WH	116	4779.7	PMC SB 6/50 GW 8 WH	117
			4706.7	PMC SB 6/50 FW 31-40 WH	116	4780.7	PMC SB 6/50 GW 9 WH	117
			4707.7	PMC SB 6/50 FW 41-50 WH	116	4781.7	PMC SB 6/50 GW 0 WH	117
			4708.7	PMC SB 6/50 FW 51-60 WH	116	4782.7	PMC SB 6/50 GW X WH	117
			4709.7	PMC SB 6/50 FW 61-70 WH	116	4783.7	PMC SB 6/50 GW PE WH	117
			4710.7	PMC SB 6/50 FW 71-80 WH	116	4784.7	PMC SB 6/50 GW L1 WH	117
			4711.7	PMC SB 6/50 FW 81-90 WH	116	4785.7	PMC SB 6/50 GW L2 WH	117
			4712.7	PMC SB 6/50 FW 91-100 WH	115, 116	4786.7	PMC SB 6/50 GW L3 WH	117
			4713.7	PMC SB 6/50 FW 1-50 WH	116	4787.7	PMC SB 6/50 GW N WH	117
			4714.7	PMC SB 6/50 FW 51-100 WH	116	4788.7	PMC SB 6/50 GS 1 WH	117
			4715.7	PMC SB 6/50 FW 101-150 WH	116	4789.7	PMC SB 6/50 GS 2 WH	117
						4790.7	PMC SB 6/50 GS 3 WH	117
						4791.7	PMC SB 6/50 GS 4 WH	117

Cat. no.	Type	Page	Cat. no.	Type	Page	Cat. no.	Type	Page
4792.7	PMC SB 6/50 GS 5 WH	117	4867.7	PMC SB 4/50 FS 81-90 WH	114	9003.7	PMC BSTR 5/36 FW 13-24 WH	119
4793.7	PMC SB 6/50 GS 6 WH	117	4868.7	PMC SB 4/50 FS 91-100 WH	114	9004.7	PMC BSTR 5/36 FW 25-36 WH	119
4794.7	PMC SB 6/50 GS 7 WH	117	4869.7	PMC SB 4/50 FS 1-50 WH	114	9005.7	PMC BSTR 5/36 FW 37-48 WH	119
4795.7	PMC SB 6/50 GS 8 WH	117	4870.7	PMC SB 4/50 FS 51-100 WH	114	9006.7	PMC BSTR 5/36 FW 49-60 WH	119
4796.7	PMC SB 6/50 GS 9 WH	117	4871.7	PMC SB 4/50 FS 101-150 WH	114	9007.7	PMC BSTR 5/36 FW 61-72 WH	119
4797.7	PMC SB 6/50 GS 0 WH	117	4872.7	PMC SB 4/50 FS 151-200 WH	114	9008.7	PMC BSTR 5/36 FW 73-84 WH	119
4798.7	PMC SB 6/50 GS X WH	117	4873.7	PMC SB 4/50 FS 201-250 WH	114	9009.7	PMC BSTR 5/36 FW 85-96 WH	119
4799.7	PMC SB 6/50 GS PE WH	117	4874.7	PMC SB 4/50 FS 251-300 WH	114	9010.7	PMC BSTR 5/36 FW 97-108 WH	119
4800.7	PMC SB 6/50 GS L1 WH	117	4875.7	PMC SB 4/50 FS 301-350 WH	114	9011.7	PMC BSTR 5/36 FW 109-120 WH	119
4801.7	PMC SB 6/50 GS L2 WH	117	4876.7	PMC SB 4/50 FS 351-400 WH	114	9012.7	PMC BSTR 5/36 FW 1-36 WH	119
4802.7	PMC SB 6/50 GS L3 WH	117	4877.7	PMC SB 4/50 FS 401-450 WH	114	9013.7	PMC BSTR 5/36 FW 37-72 WH	119
4803.7	PMC SB 6/50 GS N WH	117	4878.7	PMC SB 4/50 FS 451-500 WH	114	9014.7	PMC BSTR 5/36 FW 73-108 WH	119
4804.7	PMC SB 6/50 GS - WH	117	4879.7	PMC SB 4/50 FS 501-550 WH	114	9015.7	PMC BSTR 5/36 FW 109-144 WH	119
4805.7	PMC SB 6/50 GW - WH	117	4880.7	PMC SB 4/50 FS 551-600 WH	114	9016.7	PMC BSTR 5/36 FW 145-180 WH	119
4806.7	PMC SB 6/50 GW + WH	117	4881.7	PMC SB 4/50 FS 601-650 WH	114	9017.7	PMC BSTR 5/36 FW 181-216 WH	119
4807.7	PMC SB 6/50 FS 2,4,6-20 WH	117	4882.7	PMC SB 4/50 FS 651-700 WH	114	9018.7	PMC BSTR 5/36 FW 217-252 WH	119
4808.7	PMC SB 6/50 FS 1,3,5-19 WH	117	4883.7	PMC SB 4/50 FS 701-750 WH	114	9019.7	PMC BSTR 5/36 FW 253-288 WH	119
4809.7	PMC SB 6/50 FW 2,4,6-20 WH	116	4884.7	PMC SB 4/50 FS 751-800 WH	114	9020.7	PMC BSTR 5/36 FW 289-324 WH	119
4810.7	PMC SB 6/50 FW 1,3,5-19 WH	116	4885.7	PMC SB 4/50 FS 801-850 WH	114	9021.7	PMC BSTR 5/36 FW 325-360 WH	119
4811.7	PMC SB 6/50 So WH	116	4886.7	PMC SB 4/50 FS 851-900 WH	114	9022.7	PMC BSTR 5/36 FW 361-396 WH	119
4813.7	PMC SB 5/50 GW - WH	115	4887.7	PMC SB 4/50 FS L1,L2,L3,N,PE WH	114	9023.7	PMC BSTR 5/36 FW 397-432 WH	119
4814.7	PMC SB 5/50 GW + WH	115	4888.7	PMC SB 4/50 FS U1,V1,W1,N,PE WH	114	9024.7	PMC BSTR 5/36 FW 433-468 WH	119
4815.7	PMC SB 5/50 FS 2,4,6-20 WH	115	4889.7	PMC SB 4/50 FS U1,V1,W1 WH	114	9025.7	PMC BSTR 5/36 FW 469-504 WH	119
4816.7	PMC SB 5/50 FS 1,3,5-19 WH	115	4890.7	PMC SB 4/50 FS U2,V2,W2,N,PE WH	114	9026.7	PMC BSTR 5/36 FW 505-540 WH	119
4817.7	PMC SB 5/50 FW 2,4,6-20 WH	115	4891.7	PMC SB 4/50 FS U2,V2,W2 WH	114	9027.7	PMC BSTR 5/36 FW 541-576 WH	119
4818.7	PMC SB 5/50 FW 1,3,5-19 WH	115	4892.7	PMC SB 4/50 FS X1-X10 WH	114	9028.7	PMC BSTR 5/36 FW 577-612 WH	119
4819.7	PMC SB 5/50 So WH	115	4893.7	PMC SB 4/50 FS 1,3,5-19 WH	114	9029.7	PMC BSTR 5/36 FW 613-648 WH	119
4820.7	PMC SB 4/50 WH	38, 39, 114	4894.7	PMC SB 4/50 FS 2,4,6-20 WH	114	9030.7	PMC BSTR 5/36 FW 649-684 WH	119
4821.7	PMC SB 4/50 So WH	114	4895.7	PMC SB 4/50 GW 1 WH	114	9031.7	PMC BSTR 5/36 FW L1,L2,L3,N,PE WH	119
4822.7	PMC SB 4/50 FW 1-10 WH	114	4896.7	PMC SB 4/50 GW 2 WH	114	9032.7	PMC BSTR 5/36 FW U1,V1,W1,N,PE WH	119
4823.7	PMC SB 4/50 FW 11-20 WH	114	4897.7	PMC SB 4/50 GW 3 WH	114	9033.7	PMC BSTR 5/36 FW U1,V1,W1 WH	119
4824.7	PMC SB 4/50 FW 21-30 WH	114	4898.7	PMC SB 4/50 GW 4 WH	114	9034.7	PMC BSTR 5/36 FW U2,V2,W2,N,PE WH	119
4825.7	PMC SB 4/50 FW 31-40 WH	114	4899.7	PMC SB 4/50 GW 5 WH	114	9035.7	PMC BSTR 5/36 FW U2,V2,W2 WH	119
4826.7	PMC SB 4/50 FW 41-50 WH	114	4916.7	PMC SB 4/50 GW 6 WH	114	9036.7	PMC BSTR 5/36 FW X1-X12 WH	119
4827.7	PMC SB 4/50 FW 51-60 WH	114	4917.7	PMC SB 4/50 GW 7 WH	114	9037.7	PMC BSTR 5/36 FS 1-12 WH	119
4828.7	PMC SB 4/50 FW 61-70 WH	114	4918.7	PMC SB 4/50 GW 8 WH	114	9038.7	PMC BSTR 5/36 FS 13-24 WH	119
4829.7	PMC SB 4/50 FW 71-80 WH	114	4919.7	PMC SB 4/50 GW 9 WH	114	9039.7	PMC BSTR 5/36 FS 25-36 WH	119
4830.7	PMC SB 4/50 FW 81-90 WH	114	4920.7	PMC SB 4/50 GW 0 WH	114	9040.7	PMC BSTR 5/36 FS 37-48 WH	119
4831.7	PMC SB 4/50 FW 91-100 WH	114	4921.7	PMC SB 4/50 GW X WH	114	9041.7	PMC BSTR 5/36 FS 49-60 WH	119
4832.7	PMC SB 4/50 FW 1-50 WH	114	4922.7	PMC SB 4/50 GW PE WH	114	9042.7	PMC BSTR 5/36 FS 61-72 WH	119
4833.7	PMC SB 4/50 FW 51-100 WH	114	4923.7	PMC SB 4/50 GW L1 WH	114	9043.7	PMC BSTR 5/36 FS 73-84 WH	119
4834.7	PMC SB 4/50 FW 101-150 WH	114	4924.7	PMC SB 4/50 GW L2 WH	114	9044.7	PMC BSTR 5/36 FS 85-96 WH	119
4835.7	PMC SB 4/50 FW 151-200 WH	114	4925.7	PMC SB 4/50 GW L3 WH	114	9045.7	PMC BSTR 5/36 FS 97-108 WH	119
4836.7	PMC SB 4/50 FW 201-250 WH	114	4926.7	PMC SB 4/50 GW N WH	114	9046.7	PMC BSTR 5/36 FS 109-120 WH	119
4837.7	PMC SB 4/50 FW 251-300 WH	114	4927.7	PMC SB 4/50 GW + WH	114	9047.7	PMC BSTR 5/36 FS 1-36 WH	119
4838.7	PMC SB 4/50 FW 301-350 WH	114	4928.7	PMC SB 4/50 GW - WH	114	9048.7	PMC BSTR 5/36 FS 37-72 WH	119
4839.7	PMC SB 4/50 FW 351-400 WH	114	4929.7	PMC SB 4/50 GS 1 WH	114	9049.7	PMC BSTR 5/36 FS 73-108 WH	119
4840.7	PMC SB 4/50 FW 401-450 WH	114	4930.7	PMC SB 4/50 GS 2 WH	114	9050.7	PMC BSTR 5/36 FS 109-144 WH	119
4841.7	PMC SB 4/50 FW 451-500 WH	114	4931.7	PMC SB 4/50 GS 3 WH	114	9051.7	PMC BSTR 5/36 FS 145-180 WH	119
4842.7	PMC SB 4/50 FW 501-550 WH	114	4932.7	PMC SB 4/50 GS 4 WH	114	9052.7	PMC BSTR 5/36 FS 181-216 WH	119
4843.7	PMC SB 4/50 FW 551-600 WH	114	4933.7	PMC SB 4/50 GS 5 WH	114	9053.7	PMC BSTR 5/36 FS 217-252 WH	119
4844.7	PMC SB 4/50 FW 601-650 WH	114	4934.7	PMC SB 4/50 GS 6 WH	114	9054.7	PMC BSTR 5/36 FS 253-288 WH	119
4845.7	PMC SB 4/50 FW 651-700 WH	114	4935.7	PMC SB 4/50 GS 7 WH	114	9055.7	PMC BSTR 5/36 FS 289-324 WH	119
4846.7	PMC SB 4/50 FW 701-750 WH	114	4936.7	PMC SB 4/50 GS 8 WH	114	9056.7	PMC BSTR 5/36 FS 325-360 WH	119
4847.7	PMC SB 4/50 FW 751-800 WH	114	4937.7	PMC SB 4/50 GS 9 WH	114	9057.7	PMC BSTR 5/36 FS 361-396 WH	119
4848.7	PMC SB 4/50 FW 801-850 WH	114	4938.7	PMC SB 4/50 GS 0 WH	114	9058.7	PMC BSTR 5/36 FS 397-432 WH	119
4849.7	PMC SB 4/50 FW 851-900 WH	114	4939.7	PMC SB 4/50 GS X WH	114	9059.7	PMC BSTR 5/36 FS 433-468 WH	119
4850.7	PMC SB 4/50 FW 901-950 WH	114	4940.7	PMC SB 4/50 GS PE WH	114	9060.7	PMC BSTR 5/36 FS 469-504 WH	119
4851.7	PMC SB 4/50 FW L1,L2,L3,N,PE WH	114	4941.7	PMC SB 4/50 GS L1 WH	114	9061.7	PMC BSTR 5/36 FS 505-540 WH	119
4852.7	PMC SB 4/50 FW U1,V1,W1,N,PE WH	114	4942.7	PMC SB 4/50 GS L2 WH	114	9062.7	PMC BSTR 5/36 FS 541-576 WH	119
4853.7	PMC SB 4/50 FW U1,V1,W1 WH	114	4943.7	PMC SB 4/50 GS L3 WH	114	9063.7	PMC BSTR 5/36 FS 577-612 WH	119
4854.7	PMC SB 4/50 FW U2,V2,W2,N,PE WH	114	4944.7	PMC SB 4/50 GS N WH	114	9064.7	PMC BSTR 5/36 FS 613-648 WH	119
4855.7	PMC SB 4/50 FW U2,V2,W2 WH	114	4945.7	PMC SB 4/50 GS - WH	114	9065.7	PMC BSTR 5/36 FS L1,L2,L3,N,PE WH	119
4856.7	PMC SB 4/50 FW X1-X10 WH	114	4991.0	SI C 1.000 A/32V	63	9066.7	PMC BSTR 5/36 FS U1,V1,W1,N,PE WH	119
4857.7	PMC SB 4/50 FW 1,3,5-19 WH	114	4992.0	SI C 2.000 A/32V	63	9067.7	PMC BSTR 5/36 FS U1,V1,W1 WH	119
4858.7	PMC SB 4/50 FW 2,4,6-20 WH	114	4993.0	SI C 3.000 A/32V	63	9068.7	PMC BSTR 5/36 FS U2,V2,W2, N, PE WH	119
4859.7	PMC SB 4/50 FS 1-10 WH	114	4994.0	SI C 4.000 A/32V	63	9069.7	PMC BSTR 5/36 FS U2,V2,W2 WH	119
4860.7	PMC SB 4/50 FS 11-20 WH	114	4995.0	SI C 5.000 A/32V	63	9070.7	PMC BSTR 5/36 FS X1-X12 WH	119
4861.7	PMC SB 4/50 FS 21-30 WH	114	4996.0	SI C 7.500 A/32V	63	9071.7	PMC BSTR 5/36 GW 1 WH	119
4862.7	PMC SB 4/50 FS 31-40 WH	114	4997.0	SI C 10.000 A/32V	63	9072.7	PMC BSTR 5/36 GW 2 WH	119
4863.7	PMC SB 4/50 FS 41-50 WH	114				9073.7	PMC BSTR 5/36 GW 3 WH	119
4864.7	PMC SB 4/50 FS 51-60 WH	114						
4865.7	PMC SB 4/50 FS 61-70 WH	114						
4866.7	PMC SB 4/50 FS 71-80 WH	114						
			9					
			9000.7	PMC BSTR 5/36 WH	119			
			9001.7	PMC BSTR 5/36 So WH Mi	119			
			9002.7	PMC BSTR 5/36 FW 1-12 WH	119			

Cat. no.	Type	Page	Cat. no.	Type	Page	Cat. no.	Type	Page
9074.7	PMC BSTR 5/36 GW 4 WH	119	9147.7	PMC BSTR 6/30 FS 41-50 WH	120	9220.7	PMC SB 6/50 FW 181-190 WH	116
9075.7	PMC BSTR 5/36 GW 5 WH	119	9148.7	PMC BSTR 6/30 FS 51-60 WH	120	9221.7	PMC SB 6/50 FW 191-200 WH	116
9076.7	PMC BSTR 5/36 GW 6 WH	119	9149.7	PMC BSTR 6/30 FS 61-70 WH	120	9222.7	PMC SB 6/50 FW 201-210 WH	116
9077.7	PMC BSTR 5/36 GW 7 WH	119	9150.7	PMC BSTR 6/30 FS 71-80 WH	120	9223.7	PMC SB 6/50 FW 211-220 WH	116
9078.7	PMC BSTR 5/36 GW 8 WH	119	9151.7	PMC BSTR 6/30 FS 81-90 WH	120	9224.7	PMC SB 6/50 FW 221-230 WH	116
9079.7	PMC BSTR 5/36 GW 9 WH	119	9152.7	PMC BSTR 6/30 FS 91-100 WH	120	9225.7	PMC SB 6/50 FW 231-240 WH	116
9080.7	PMC BSTR 5/36 GW 0 WH	119	9153.7	PMC BSTR 6/30 FS 1-30 WH	120	9226.7	PMC SB 6/50 FW 241-250 WH	116
9081.7	PMC BSTR 5/36 GW X WH	119	9154.7	PMC BSTR 6/30 FS 31-60 WH	120	9227.7	PMC SB 6/50 FW 251-260 WH	116
9082.7	PMC BSTR 5/36 GW PE WH	119	9155.7	PMC BSTR 6/30 FS 61-90 WH	120	9228.7	PMC SB 6/50 FW 261-270 WH	116
9083.7	PMC BSTR 5/36 GW L1 WH	119	9156.7	PMC BSTR 6/30 FS 91-120 WH	120	9229.7	PMC SB 6/50 FW 271-280 WH	116
9084.7	PMC BSTR 5/36 GW L2 WH	119	9157.7	PMC BSTR 6/30 FS 121-150 WH	120	9230.7	PMC SB 6/50 FW 281-290 WH	116
9085.7	PMC BSTR 5/36 GW L3 WH	119	9158.7	PMC BSTR 6/30 FS 151-180 WH	120	9231.7	PMC SB 6/50 FW 291-300 WH	116
9086.7	PMC BSTR 5/36 GW N WH	119	9159.7	PMC BSTR 6/30 FS 181-210 WH	120	9233.7	PMC SB 6/50 FW 311-320 WH	116
9087.7	PMC BSTR 5/36 GW + WH	119	9160.7	PMC BSTR 6/30 FS 211-240 WH	120	9235.7	PMC SB 6/50 FW 331-340 WH	116
9088.7	PMC BSTR 5/36 GW - WH	119	9161.7	PMC BSTR 6/30 FS 241-270 WH	120	9236.7	PMC SB 6/50 FW 341-350 WH	116
9089.7	PMC BSTR 5/36 GS 1 WH	119	9162.7	PMC BSTR 6/30 FS 271-300 WH	120	9238.7	PMC SB 6/50 FW 361-370 WH	116
9090.7	PMC BSTR 5/36 GS 2 WH	119	9163.7	PMC BSTR 6/30 FS 301-330 WH	120	9239.7	PMC SB 6/50 FW 371-380 WH	116
9091.7	PMC BSTR 5/36 GS 3 WH	119	9164.7	PMC BSTR 6/30 FS 331-360 WH	120	9240.7	PMC SB 6/50 FW 381-390 WH	116
9092.7	PMC BSTR 5/36 GS 4 WH	119	9165.7	PMC BSTR 6/30 FS 361-390 WH	120	9241.7	PMC SB 6/50 FW 391-400 WH	116
9093.7	PMC BSTR 5/36 GS 5 WH	119	9166.7	PMC BSTR 6/30 FS 391-420 WH	120	9242.7	PMC SB 6/50 FW 401-410 WH	116
9094.7	PMC BSTR 5/36 GS 6 WH	119	9167.7	PMC BSTR 6/30 FS 421-450 WH	120	9243.7	PMC SB 6/50 FW 411-420 WH	116
9095.7	PMC BSTR 5/36 GS 7 WH	119	9168.7	PMC BSTR 6/30 FS 451-480 WH	120	9244.7	PMC SB 6/50 FW 421-430 WH	116
9096.7	PMC BSTR 5/36 GS 8 WH	119	9169.7	PMC BSTR 6/30 FS 481-510 WH	120	9245.7	PMC SB 6/50 FW 431-440 WH	116
9097.7	PMC BSTR 5/36 GS 9 WH	119	9170.7	PMC BSTR 6/30 FS 511-540 WH	120	9246.7	PMC SB 6/50 FW 441-450 WH	116
9098.7	PMC BSTR 5/36 GS 0 WH	119	9171.7	PMC BSTR 6/30 FS L1,L2,L3,N,PE WH	120	9247.7	PMC SB 6/50 FW 451-460 WH	116
9099.7	PMC BSTR 5/36 GS X WH	119	9172.7	PMC BSTR 6/30 FS U1,V1,W1,N,PE WH	120	9248.7	PMC SB 6/50 FW 461-470 WH	116
9100.7	PMC BSTR 5/36 GS PE WH	119	9173.7	PMC BSTR 6/30 FS U1,V1,W1 WH	120	9249.7	PMC SB 6/50 FW 471-480 WH	116
9101.7	PMC BSTR 5/36 GS L1 WH	119	9174.7	PMC BSTR 6/30 FS U2,V2,W2,N,PE WH	120	9250.7	PMC SB 6/50 FW 481-490 WH	116
9102.7	PMC BSTR 5/36 GS L2 WH	119	9175.7	PMC BSTR 6/30 FS U2,V2,W2 WH	120	9251.7	PMC SB 6/50 FW 491-500 WH	116
9103.7	PMC BSTR 5/36 GS L3 WH	119	9176.7	PMC BSTR 6/30 FS X1-X10 WH	120	9252.7	PMC SB 6/50 FW 501-510 WH	116
9104.7	PMC BSTR 5/36 GS N WH	119	9177.7	PMC BSTR 6/30 GW 1 WH	120	9253.7	PMC SB 6/50 FW 511-520 WH	116
9105.7	PMC BSTR 5/36 GS - WH	119	9178.7	PMC BSTR 6/30 GW 2 WH	120	9254.7	PMC SB 6/50 FW 521-530 WH	116
9106.7	PMC BSTR 6/30 WH	111, 120	9179.7	PMC BSTR 6/30 GW 3 WH	120	9255.7	PMC SB 6/50 FW 531-540 WH	116
9107.7	PMC BSTR 6/30 So WH	120	9180.7	PMC BSTR 6/30 GW 4 WH	120	9256.7	PMC SB 6/50 FW 541-550 WH	116
9108.7	PMC BSTR 6/30 FW 1-10 WH	120	9181.7	PMC BSTR 6/30 GW 5 WH	120	9257.7	PMC SB 6/50 FW 551-560 WH	116
9109.7	PMC BSTR 6/30 FW 11-20 WH	120	9182.7	PMC BSTR 6/30 GW 6 WH	120	9258.7	PMC SB 6/50 FW 561-570 WH	116
9110.7	PMC BSTR 6/30 FW 21-30 WH	120	9183.7	PMC BSTR 6/30 GW 7 WH	120	9259.7	PMC SB 6/50 FW 571-580 WH	116
9111.7	PMC BSTR 6/30 FW 31-40 WH	120	9184.7	PMC BSTR 6/30 GW 8 WH	120	9260.7	PMC SB 6/50 FW 581-590 WH	116
9112.7	PMC BSTR 6/30 FW 41-50 WH	120	9185.7	PMC BSTR 6/30 GW 9 WH	120	9261.7	PMC SB 6/50 FW 591-600 WH	116
9113.7	PMC BSTR 6/30 FW 51-60 WH	120	9186.7	PMC BSTR 6/30 GW 0 WH	120	9262.7	PMC SB 6/50 FS 101-110 WH	116
9114.7	PMC BSTR 6/30 FW 61-70 WH	120	9187.7	PMC BSTR 6/30 GW X WH	120	9263.7	PMC SB 6/50 FS 111-120 WH	116
9115.7	PMC BSTR 6/30 FW 71-80 WH	120	9188.7	PMC BSTR 6/30 GW PE WH	120	9264.7	PMC SB 6/50 FS 121-130 WH	116
9116.7	PMC BSTR 6/30 FW 81-90 WH	120	9189.7	PMC BSTR 6/30 GW L1 WH	120	9265.7	PMC SB 6/50 FS 131-140 WH	116
9117.7	PMC BSTR 6/30 FW 91-100 WH	120	9190.7	PMC BSTR 6/30 GW L2 WH	120	9266.7	PMC SB 6/50 FS 141-150 WH	116
9118.7	PMC BSTR 6/30 FW 1-30 WH	120	9191.7	PMC BSTR 6/30 GW L3 WH	120	9267.7	PMC SB 6/50 FS 151-160 WH	116
9119.7	PMC BSTR 6/30 FW 31-60 WH	120	9192.7	PMC BSTR 6/30 GW N WH	120	9268.7	PMC SB 6/50 FS 161-170 WH	116
9120.7	PMC BSTR 6/30 FW 61-90 WH	120	9193.7	PMC BSTR 6/30 GW + WH	120	9269.7	PMC SB 6/50 FS 171-180 WH	116
9121.7	PMC BSTR 6/30 FW 91-120 WH	120	9194.7	PMC BSTR 6/30 GW - WH	120	9270.7	PMC SB 6/50 FS 181-190 WH	116
9122.7	PMC BSTR 6/30 FW 121-150 WH	120	9195.7	PMC BSTR 6/30 GS 1 WH	120	9271.7	PMC SB 6/50 FS 191-200 WH	116
9123.7	PMC BSTR 6/30 FW 151-180 WH	120	9196.7	PMC BSTR 6/30 GS 2 WH	120	9272.7	PMC SB 6/50 FS 201-210 WH	116
9124.7	PMC BSTR 6/30 FW 181-210 WH	120	9197.7	PMC BSTR 6/30 GS 3 WH	120	9273.7	PMC SB 6/50 FS 211-220 WH	116
9125.7	PMC BSTR 6/30 FW 211-240 WH	120	9198.7	PMC BSTR 6/30 GS 4 WH	120	9274.7	PMC SB 6/50 FS 221-230 WH	117
9126.7	PMC BSTR 6/30 FW 241-270 WH	120	9199.7	PMC BSTR 6/30 GS 5 WH	120	9275.7	PMC SB 6/50 FS 231-240 WH	117
9127.7	PMC BSTR 6/30 FW 271-300 WH	120	9200.7	PMC BSTR 6/30 GS 6 WH	120	9276.7	PMC SB 6/50 FS 241-250 WH	117
9128.7	PMC BSTR 6/30 FW 301-330 WH	120	9201.7	PMC BSTR 6/30 GS 7 WH	120	9277.7	PMC SB 6/50 FS 251-260 WH	117
9129.7	PMC BSTR 6/30 FW 331-360 WH	120	9202.7	PMC BSTR 6/30 GS 8 WH	120	9278.7	PMC SB 6/50 FS 261-270 WH	117
9130.7	PMC BSTR 6/30 FW 361-390 WH	120	9203.7	PMC BSTR 6/30 GS 9 WH	120	9279.7	PMC SB 6/50 FS 271-280 WH	117
9131.7	PMC BSTR 6/30 FW 391-420 WH	120	9204.7	PMC BSTR 6/30 GS 0 WH	120	9280.7	PMC SB 6/50 FS 281-290 WH	117
9132.7	PMC BSTR 6/30 FW 421-450 WH	120	9205.7	PMC BSTR 6/30 GS X WH	120	9281.7	PMC SB 6/50 FS 291-300 WH	117
9133.7	PMC BSTR 6/30 FW 451-480 WH	120	9206.7	PMC BSTR 6/30 GS PE WH	120	9286.7	PMC SB 8/40 FS 1-40 WH	118
9134.7	PMC BSTR 6/30 FW 481-510 WH	120	9207.7	PMC BSTR 6/30 GS L1 WH	120	9287.7	PMC SB 8/40 FS 41-80 WH	118
9135.7	PMC BSTR 6/30 FW 511-540 WH	120	9208.7	PMC BSTR 6/30 GS L2 WH	120	9288.7	PMC SB 8/40 FS 81-120 WH	118
9136.7	PMC BSTR 6/30 FW 541-570 WH	120	9209.7	PMC BSTR 6/30 GS L3 WH	120	9289.7	PMC SB 8/40 FW 1-40 WH	118
9137.7	PMC BSTR 6/30 FW L1,L2,L3,N,PE WH	120	9210.7	PMC BSTR 6/30 GS N WH	120	9290.7	PMC SB 8/40 FW 41-80 WH	118
9138.7	PMC BSTR 6/30 FW U1,V1,W1,N,PE WH	120	9211.7	PMC BSTR 6/30 GS - WH	120	9291.7	PMC SB 8/40 FW 81-120 WH	118
9139.7	PMC BSTR 6/30 FW U1,V1,W1 WH	120	9212.7	PMC SB 6/50 FW 101-110 WH	116	9292.7	PMC SB 8/40 FW 1-8 WH	118
9140.7	PMC BSTR 6/30 FW U2,V2,W2,N,PE WH	120	9213.7	PMC SB 6/50 FW 111-120 WH	116	9293.7	PMC SB 8/40 FW 9-16 WH	118
9141.7	PMC BSTR 6/30 FW U2,V2,W2 WH	120	9214.7	PMC SB 6/50 FW 121-130 WH	116	9294.7	PMC SB 8/40 FW 17-24 WH	118
9142.7	PMC BSTR 6/30 FW X1-X10 WH	120	9215.7	PMC SB 6/50 FW 131-140 WH	116	9295.7	PMC SB 8/40 FW 25-32 WH	118
9143.7	PMC BSTR 6/30 FS 1-10 WH	120	9216.7	PMC SB 6/50 FW 141-150 WH	116	9296.7	PMC SB 8/40 FW 33-40 WH	118
9144.7	PMC BSTR 6/30 FS 11-20 WH	120	9217.7	PMC SB 6/50 FW 151-160 WH	116	9297.7	PMC SB 8/40 FW 41-48 WH	118
9145.7	PMC BSTR 6/30 FS 21-30 WH	120	9218.7	PMC SB 6/50 FW 161-170 WH	116	9298.7	PMC SB 8/40 FW 57-64 WH	118
9146.7	PMC BSTR 6/30 FS 31-40 WH	120	9219.7	PMC SB 6/50 FW 171-180 WH	116	9299.7	PMC SB 8/40 FW 65-72 WH	118
						9300.7	PMC SB 8/40 FW 73-80 WH	118
						9301.7	PMC SB 8/40 FW 81-88 WH	118

Cat. no.	Type	Page	Cat. no.	Type	Page	Cat. no.	Type	Page
9302.7	PMC SB 8/40 FW 89-96 WH	118	9476.0003	SB 8/8 FW 17-24 WH	128	9480.0012	SB 8/8 FW R2;S2;T2 WH	128
9303.7	PMC SB 8/40 FW 97-104 WH	118	9476.0004	SB 8/8 FW 25-32 WH	128	9480.0013	SB 8/8 FW R3;S3;T3 WH	128
9304.7	PMC SB 8/40 FW 105-112 WH	118	9476.0005	SB 8/8 FW 33-40 WH	128	9480.0014	SB 8/8 FW R4;S4;T4 WH	128
9305.7	PMC SB 8/40 FW 49-56 WH	118	9476.0006	SB 8/8 FW 41-48 WH	128	9480.0015	SB 8/8 FW R5;S5;T5 WH	128
9306.7	PMC SB 8/40 FW 113-120 WH	118	9476.0007	SB 8/8 FW 49-56 WH	128	9480.0016	SB 8/8 FW R6;S6;T6 WH	128
9307.7	PMC SB 8/40 FS 1-8 WH	118	9476.0008	SB 8/8 FW 57-64 WH	128	9480.0017	SB 8/8 FW R7;S7;T7 WH	128
9308.7	PMC SB 8/40 FS 9-16 WH	118	9476.0009	SB 8/8 FW 65-72 WH	128	9480.0018	SB 8/8 FW R8;S8;T8 WH	128
9309.7	PMC SB 8/40 FS 17-24 WH	118	9476.0010	SB 8/8 FW 73-80 WH	128	9480.0019	SB 8/8 FW R9;S9;T9 WH	128
9310.7	PMC SB 8/40 FS 25-32 WH	118	9476.0011	SB 8/8 FW 81-88 WH	128	9480.0020	SB 8/8 FW R10;S10;T10 WH	128
9311.7	PMC SB 8/40 FS 33-40 WH	118	9476.0012	SB 8/8FW 89-96 WH	128	9480.0021	SB 8/8 FW U1;V1;W1 WH	128
9312.7	PMC SB 8/40 FS 41-48 WH	118	9476.0013	SB 8/8 FW 97-104 WH	128	9480.0022	SB 8/8 FW U2;V2;W2 WH	128
9313.7	PMC SB 8/40 FS 49-56 WH	118	9476.0014	SB 8/8 FW 105-112 WH	128	9480.0023	SB 8/8 FW U3;V3;W3 WH	128
9314.7	PMC SB 8/40 FS 57-64 WH	118	9476.0015	SB 8/8 FW 113-120 WH	128	9480.0024	SB 8/8 FW U4;V4;W4 WH	128
9315.7	PMC SB 8/40 FS 65-72 WH	118	9477.0001	SB 8/8 FS 1-8 WH	128	9480.0025	SB 8/8 FW U5;V5;W5 WH	128
9316.7	PMC SB 8/40 FS 73-80 WH	118	9477.0002	SB 8/8 FS 9-16 WH	128	9480.0026	SB 8/8 FW U6;V6;W6 WH	128
9317.7	PMC SB 8/40 FS 81-88 WH	118	9477.0003	SB 8/8 FS 17-24 WH	128	9480.0027	SB 8/8 FW U7;V7;W7 WH	128
9318.7	PMC SB 8/40 FS 89-96 WH	118	9477.0004	SB 8/8 FS 25-32 WH	128	9480.0028	SB 8/8 FW U8;V8;W8 WH	128
9319.7	PMC SB 8/40 FS 97-104 WH	118	9477.0005	SB 8/8 FS 33-40 WH	128	9480.0029	SB 8/8 FW U9;V9;W9 WH	128
9320.7	PMC SB 8/40 FS 105-112 WH	118	9477.0006	SB 8/8 FS 41-48 WH	128	9480.0030	SB 8/8 FW U10;V10;W10 WH	128
9321.7	PMC SB 8/40 FS 113-120 WH	118	9477.0007	SB 8/8 FS 49-56 WH	128	9481.0001	SB 8/8 FW U;V;W;N;PE WH	128
9322.7	PMC SB 8/40 So WH	118	9477.0008	SB 8/8 FS 57-64 WH	128	9481.0002	SB 8/8 FW R;S;T;N;Earth with circle WH	128
9323.7	PMC SB 8/40 WH	43, 67-69, 118	9477.0009	SB 8/8 FS 65-72 WH	128	9481.0003	SB 8/8 FW L1;L2;L3;N;PE WH	128
9324.7	PMC BSTR 5/36 MI WH	119	9477.0010	SB 8/8 FS 73-80 WH	128	9481.0004	SB 8/8 FW L1;L2;L3;N;Earth with circle WH	128
9325.7	PMC BSTR 5/36 MI So WH	119	9477.0011	SB 8/8 FS 81-88 WH	128	9482.0001	SB 8/8 FS X1;Y1;Z1 WH	128
9326.7	PMC SB 7.5/40 WH	117	9477.0012	SB 8/8 FS 89-96 WH	128	9482.0002	SB 8/8 FS X2;Y2;Z2 WH	128
9410.7	PMC BSTR 8x12/21 WH	121	9477.0013	SB 8/8 FS 97-104 WH	128	9482.0003	SB 8/8 FS X3;Y3;Z3 WH	128
9411.7	PMC BSTR 8x12/21 So WH	121	9477.0014	SB 8/8 FS 105-112 WH	128	9482.0004	SB 8/8 FS X4;Y4;Z4 WH	128
9413.7	PMC BSTR 8x12/21 FW 1-21 WH	121	9477.0015	SB 8/8 FS 113-120 WH	128	9482.0005	SB 8/8 FS X5;Y5;Z5 WH	128
9414.7	PMC BSTR 8x12/21 FW 22-42 WH	121	9478.0000	SB 8/8 GW 0 WH	128	9482.0006	SB 8/8 FS X6;Y6;Z6 WH	128
9415.7	PMC BSTR 8x12/21 FW 43-63 WH	121	9478.0001	SB 8/8 GW 1 WH	128	9482.0007	SB 8/8 FS X7;Y7;Z7 WH	128
9416.7	PMC BSTR 8x12/21 FW 64-84 WH	121	9478.0002	SB 8/8 GW 2 WH	128	9482.0008	SB 8/8 FS X8;Y8;Z8 WH	128
9417.7	PMC BSTR 8x12/21 FW 85-105 WH	121	9478.0003	SB 8/8 GW 3 WH	128	9482.0009	SB 8/8 FS X9;Y9;Z9 WH	128
9418.7	PMC BSTR 8x12/21 FW 1-42 WH	121	9478.0004	SB 8/8 GW 4 WH	128	9482.0010	SB 8/8 FS X10;Y10;Z10 WH	128
9419.7	PMC BSTR 8x12/21 FW 43-84 WH	121	9478.0005	SB 8/8 GW 5 WH	128	9482.0011	SB 8/8 FS R1;S1;T1 WH	128
9420.7	PMC BSTR 8x12/21 FW 1-105 WH	121	9478.0006	SB 8/8 GW 6 WH	128	9482.0012	SB 8/8 FS R2;S2;T2 WH	128
9421.7	PMC BSTR 8x12/21 FW 106-210 WH	121	9478.0007	SB 8/8 GW 7 WH	128	9482.0013	SB 8/8 FS R3;S3;T3 WH	128
9422.7	PMC BSTR 8x12/21 FW L1,L2,L3,N,PE WH	121	9478.0008	SB 8/8 GW 8 WH	128	9482.0014	SB 8/8 FS R4;S4;T4 WH	128
9423.7	PMC BSTR 8x12/21 FS 1-21 WH	121	9478.0009	SB 8/8 GW 9 WH	128	9482.0015	SB 8/8 FS R5;S5;T5 WH	128
9424.7	PMC BSTR 8x12/21 FS 22-42 WH	121	9478.0010	SB 8/8 GW X WH	128	9482.0016	SB 8/8 FS R6;S6;T6 WH	128
9425.7	PMC BSTR 8x12/21 FS 43-63 WH	121	9478.0011	SB 8/8 GW PE WH	128	9482.0017	SB 8/8 FS R7;S7;T7 WH	128
9426.7	PMC BSTR 8x12/21 FS 64-84 WH	121	9478.0012	SB 8/8 GW L1 WH	128	9482.0018	SB 8/8 FS R8;S8;T8 WH	128
9427.7	PMC BSTR 8x12/21 FS 84-105 WH	121	9478.0013	SB 8/8 GW L2 WH	128	9482.0019	SB 8/8 FS R9;S9;T9 WH	128
9428.7	PMC BSTR 8x12/21 FS 1-42 WH	121	9478.0014	SB 8/8 GW L3 WH	128	9482.0020	SB 8/8 FS R10;S10;T10 WH	128
9429.7	PMC BSTR 8x12/21 FS 43-84 WH	121	9478.0015	SB 8/8 GW N WH	128	9482.0021	SB 8/8 FS U1;V1;W1 WH	128
9430.7	PMC BSTR 8x12/21 FS 1-105 WH	121	9478.0016	SB 8/8 GW + WH	128	9482.0022	SB 8/8 FS U2;V2;W2 WH	128
9431.7	PMC BSTR 8x12/21 FS 106-210 WH	121	9478.0017	SB 8/8 GW - WH	128	9482.0023	SB 8/8 FS U3;V3;W3 WH	128
9432.7	PMC BSTR 8x12/21 FS L1,L2,L3,N,PE WH	121	9479.0000	SB 8/8 GS 0 WH	129	9482.0024	SB 8/8 FS U4;V4;W4 WH	128
9433.7	PMC BSTR 10x12/10 WH	122	9479.0001	SB 8/8 GS 1 WH	129	9482.0025	SB 8/8 FS U5;V5;W5 WH	128
9434.7	PMC BSTR 10x12/10 So WH	122	9479.0002	SB 8/8 GS 2 WH	129	9482.0026	SB 8/8 FS U6;V6;W6 WH	128
9436.7	PMC BSTR 10x12/10 FW 1-10 WH	122	9479.0003	SB 8/8 GS 3 WH	129	9482.0027	SB 8/8 FS U7;V7;W7 WH	128
9437.7	PMC BSTR 10x12/10 FW 11-20 WH	122	9479.0004	SB 8/8 GS 4 WH	129	9482.0028	SB 8/8 FS U8;V8;W8 WH	128
9438.7	PMC BSTR 10x12/10 FW 21-30 WH	122	9479.0005	SB 8/8 GS 5 WH	129	9482.0029	SB 8/8 FS U9;V9;W9 WH	128
9439.7	PMC BSTR 10x12/10 FW 31-40 WH	122	9479.0006	SB 8/8 GS 6 WH	129	9482.0030	SB 8/8 FS U10;V10;W10 WH	128
9440.7	PMC BSTR 10x12/10 FW 41-50 WH	122	9479.0007	SB 8/8 GS 7 WH	129	9483.0001	SB 8/8 FS U;V;W;N;PE WH	128
9441.7	PMC BSTR 10x12/10 FW 1-40 WH	122	9479.0008	SB 8/8 GS 8 WH	129	9483.0002	SB 8/8 FS R;S;T;N;Earth with circle WH	128
9442.7	PMC BSTR 10x12/10 FW 41-80 WH	122	9479.0009	SB 8/8 GS 9 WH	129	9483.0003	SB 8/8 FS L1;L2;L3;N;PE WH	128
9443.7	PMC BSTR 10x12/10 FW 81-120 WH	122	9479.0010	SB 8/8 GS X WH	129	9483.0004	SB 8/8 FS L1;L2;L3;N;Earth with circle WH	128
9444.7	PMC BSTR 10x12/10 FW 1-100 WH	122	9479.0011	SB 8/8 GS PE WH	129	9484.0001	SB 8/8 GW A WH	129
9445.7	PMC BSTR 10x12/10 FW L1,L2,L3,N,PE WH	122	9479.0012	SB 8/8 GS L1 WH	129	9484.0002	SB 8/8 GW B WH	129
9446.7	PMC BSTR 10x12/10 FS 1-10 WH	122	9479.0013	SB 8/8 GS L2 WH	129	9484.0003	SB 8/8 GW C WH	129
9447.7	PMC BSTR 10x12/10 FS 11-20 WH	122	9479.0014	SB 8/8 GS L3 WH	129	9484.0004	SB 8/8 GW D WH	129
9448.7	PMC BSTR 10x12/10 FS 21-30 WH	122	9479.0015	SB 8/8 GS N WH	129	9484.0005	SB 8/8 GW E WH	129
9449.7	PMC BSTR 10x12/10 FS 31-40 WH	122	9479.0016	SB 8/8 GS + WH	129	9484.0006	SB 8/8 GW F WH	129
9450.7	PMC BSTR 10x12/10 FS 41-50 WH	122	9479.0017	SB 8/8 GS - WH	129	9484.0007	SB 8/8 GW G WH	129
9451.7	PMC BSTR 10x12/10 FS 1-40 WH	122	9480.0001	SB 8/8 FW X1;Y1;Z1 WH	128	9484.0008	SB 8/8 GW H WH	129
9452.7	PMC BSTR 10x12/10 FS 41-80 WH	122	9480.0002	SB 8/8 FW X2;Y2;Z2 WH	128	9484.0009	SB 8/8 GW I WH	129
9453.7	PMC BSTR 10x12/10 FS 81-120 WH	122	9480.0003	SB 8/8 FW X3;Y3;Z3 WH	128	9484.0010	SB 8/8 GW J WH	129
9454.7	PMC BSTR 10x12/10 FS 1-100 WH	122	9480.0004	SB 8/8 FW X4;Y4;Z4 WH	128	9484.0011	SB 8/8 GW K WH	129
9455.7	PMC BSTR 10x12/10 FS L1,L2,L3,N,PE WH	122	9480.0005	SB 8/8 FW X5;Y5;Z5 WH	128	9484.0012	SB 8/8 GW L WH	129
9476.0001	SB 8/8 FW 1-8 WH	128	9480.0006	SB 8/8 FW X6;Y6;Z6 WH	128	9484.0013	SB 8/8 GW M WH	129
9476.0002	SB 8/8 FW 9-16 WH	128	9480.0007	SB 8/8 FW X7;Y7;Z7 WH	128	9484.0014	SB 8/8 GW N WH	129
			9480.0008	SB 8/8 FW X8;Y8;Z8 WH	128			
			9480.0009	SB 8/8 FW X9;Y9;Z9 WH	128			
			9480.0010	SB 8/8 FW X10;Y10;Z10 WH	128			
			9480.0011	SB 8/8 FW R1;S1;T1 WH	128			

Cat. no.	Type	Page	Cat. no.	Type	Page	Cat. no.	Type	Page
9484.0015	SB 8/8 GW O WH	129	17406.8	FIQI 2.5-4/6 YE	66, 91	27018.6	PRK 6/2A GR	18
9484.0016	SB 8/8 GW P WH	129	17407.8	FIQI 2.5-4/7 YE	66, 91	27019.2	PSL 6/2A GNYE	18
9484.0017	SB 8/8 GW Q WH	129	17408.8	FIQI 2.5-4/8 YE	66, 91	27020.3	PRK 6/3A OG	18
9484.0018	SB 8/8 GW R WH	129	17409.8	FIQI 2.5-4/9 YE	66, 91	27020.5	PRK 6/3A BU	18
9484.0019	SB 8/8 GW S WH	129	17410.8	FIQI 6-10/10 YE	67, 68, 91	27020.6	PRK 6/3A GR	18
9484.0020	SB 8/8 GW T WH	129	17412.8	FIQI 6-10/2 YE	67, 68, 91	27021.2	PSL 6/3A GNYE	19
9484.0021	SB 8/8 GW U WH	129	17413.8	FIQI 6-10/3 YE	67, 68, 91	27022.3	PRK 6/4A OG	19
9484.0022	SB 8/8 GW V WH	129	17414.8	FIQI 6-10/4 YE	67, 68, 91	27022.5	PRK 6/4A BU	19
9484.0023	SB 8/8 GW W WH	129	17415.8	FIQI 6-10/5 YE	67, 68, 91	27022.6	PRK 6/4A GR	19
9484.0024	SB 8/8 GW X WH	129	17416.8	FIQI 6-10/6 YE	67, 68, 91	27023.2	PSL 6/4A GNYE	19
9484.0025	SB 8/8 GW Y WH	129	17417.8	FIQI 6-10/7 YE	67, 68, 91	27024.3	PRK 10/2A OG	20
9484.0026	SB 8/8 GW Z WH	129	17418.8	FIQI 6-10/8 YE	67, 68, 91	27024.5	PRK 10/2A BU	20
9484.0027	SB 8/8 GW PE WH	129	17419.8	FIQI 6-10/9 YE	67, 68, 91	27024.6	PRK 10/2A GR	20
9484.0028	SB 8/8 GW PEN WH	129	17420.1	FAP 16/2A GN	43	27025.2	PSL 10/2A GNYE	20
9484.0029	SB 8/8 GW MP WH	129	17420.2	FAP 16/2A BG	43	27026.3	PRK 10/3A OG	20
9484.0030	SB 8/8 GW SL WH	129	17422.1	FAPD 2.5/3A GN	50, 82	27026.5	PRK 10/3A BU	20
9484.0031	SB 8/8 GW T1 WH	129	17422.2	FAPD 2.5/3A BG	50, 51, 82	27026.6	PRK 10/3A GR	20
9484.0032	SB 8/8 GW T2 WH	129	17422.3	FAPD 2.5/3A OG	82	27027.2	PSL 10/3A GNYE	21
9484.0033	SB 8/8 GW T3 WH	129	17422.5	FAPD 2.5/3A BU	82	27028.3	PRK 10/4A OG	21
9484.0034	SB 8/8 GW + WH	129	17423.1	FAPI 6-10/3A GN	68, 83	27028.5	PRK 10/4A BU	21
9484.0035	SB 8/8 GW - WH	129	17423.2	FAPI 6-10/3A BG	68, 83	27028.6	PRK 10/4A GR	21
9484.0036	SB 8/8 GW ~ WH	129	17423.3	FAPI 6-10/3A OG	83	27029.2	PSL 10/4A GNYE	21
9484.0037	SB 8/8 GW Earth WH	129	17423.5	FAPI 6-10/3A BU	83	27030.3	PRK 16/2A OG	22
9484.0038	SB 8/8 GW Earth with circle WH	129	17430.2	FAPIK 2.5/3 BG	77, 83	27030.5	PRK 16/2A BU	22
9485.0001	SB 8/8 GS A WH	129	17690.4	RK-Safe-Box TS 35/100 BK	111	27030.6	PRK 16/2A GR	22
9485.0002	SB 8/8 GS B WH	129	25			27031.2	PSL 16/2A GNYE	22
9485.0003	SB 8/8 GS C WH	129	25801.0	ESO GT 2	109	27032.3	PRK 16/3A OG	22
9485.0004	SB 8/8 GS D WH	129	27			27032.5	PRK 16/3A BU	22
9485.0005	SB 8/8 GS E WH	129	27000.3	PRK 1.5/2A OG	12	27032.6	PRK 16/3A GR	22
9485.0006	SB 8/8 GS F WH	129	27000.5	PRK 1.5/2A BU	12	27033.2	PSL 16/3A GNYE	23
9485.0007	SB 8/8 GS G WH	129	27000.6	PRK 1.5/2A GR	12	27034.3	PRK 16/4A OG	23
9485.0008	SB 8/8 GS H WH	129	27001.2	PSL 1.5/2A GNYE	12	27034.5	PRK 16/4A BU	23
9485.0009	SB 8/8 GS I WH	129	27003.2	PSL 1.5/3A GNYE	13	27034.6	PRK 16/4A GR	23
9485.0010	SB 8/8 GS J WH	129	27002.3	PRK 1.5/3A OG	12	27035.2	PSL 16/4A GNYE	23
9485.0011	SB 8/8 GS K WH	129	27002.5	PRK 1.5/3A BU	12	27036.3	PRKD 2.5 OG	26
9485.0012	SB 8/8 GS L WH	129	27002.6	PRK 1.5/3A GR	12	27036.5	PRKD 2.5 BU	26
9485.0013	SB 8/8 GS M WH	129	27004.3	PRK 1.5/4A OG	13	27036.6	PRKD 2.5 GR	26
9485.0014	SB 8/8 GS N WH	129	27004.5	PRK 1.5/4A BU	13	27037.2	PSLD 2.5 GNYE	26
9485.0015	SB 8/8 GS O WH	129	27004.6	PRK 1.5/4A GR	13	27038.3	PRKD 2.5/SV OG	26
9485.0016	SB 8/8 GS P WH	129	27005.2	PSL 1.5/4A GNYE	13	27038.5	PRKD 2.5/SV BU	26
9485.0017	SB 8/8 GS Q WH	129	27006.3	PRK 2.5/2A OG	14	27038.6	PRKD 2.5/SV GR	26
9485.0018	SB 8/8 GS R WH	129	27006.5	PRK 2.5/2A BU	14	27039.3	PIKD 2.5 OG	30
9485.0019	SB 8/8 GS S WH	129	27006.6	PRK 2.5/2A GR	14	27039.5	PIKD 2.5 BU	30
9485.0020	SB 8/8 GS T WH	129	27007.2	PSL 2.5/2A GNYE	14	27039.6	PIKD 2.5 GR	30
9485.0021	SB 8/8 GS U WH	129	27008.3	PRK 2.5/3A OG	14	27040.2	PIKD 2.5/SV/PE GNYE	30
9485.0022	SB 8/8 GS V WH	129	27008.5	PRK 2.5/3A BU	14	27041.3	PIKD 2.5/SV OG	30
9485.0023	SB 8/8 GS W WH	129	27008.6	PRK 2.5/3A GR	14	27041.5	PIKD 2.5/SV BU	30
9485.0024	SB 8/8 GS X WH	129	27009.2	PSL 2.5/3A GNYE	15	27041.6	PIKD 2.5/SV GR	30
9485.0025	SB 8/8 GS Y WH	129	27010.3	PRK 2.5/4A OG	15	27042.6	PIKD 2.5/PE/L/L GR	31
9485.0026	SB 8/8 GS Z WH	129	27010.5	PRK 2.5/4A BU	15	27043.6	PIKD 2.5/PE/L/N GR	31
9485.0027	SB 8/8 GS PE WH	129	27010.6	PRK 2.5/4A GR	15	27045.6	PIKD 2.5/L/L/N GR	31
9485.0028	SB 8/8 GS PEN WH	129	27011.2	PSL 2.5/4A GNYE	15	27046.6	PVMAK 2.5 GR	33
9485.0029	SB 8/8 GS MP WH	129	27012.3	PRK 4/2A OG	16	27047.6	PVMAK 2.5/SV GR	33
9485.0030	SB 8/8 GS SL WH	129	27012.5	PRK 4/2A BU	16	27048.6	PIKD 2.5/1PE/L/L GR	31
9485.0031	SB 8/8 GS T1 WH	129	27012.6	PRK 4/2A GR	16	27049.6	PIKD 2.5/1PE/L/N GR	31
9485.0032	SB 8/8 GS T2 WH	129	27013.2	PSL 4/2A GNYE	16	27050.6	PIKD 2.5/1/L/L GR	31
9485.0033	SB 8/8 GS T3 WH	129	27014.3	PRK 4/3A OG	16	27051.6	PRKD 2.5/PE/L GR	27
9485.0034	SB 8/8 GS + WH	129	27014.5	PRK 4/3A BU	16	27052.6	PRKD 2.5/PE/N GR	27
9485.0035	SB 8/8 GS - WH	129	27014.6	PRK 4/3A GR	16	27100.1	PAP 1.5/2A GN	12, 81
9485.0036	SB 8/8 GS ~ WH	129	27015.2	PSL 4/3A GNYE	17	27100.2	PAP 1.5/2A BG	81
9485.0037	SB 8/8 GS Earth WH	129	27016.3	PRK 4/4A OG	17	27100.3	PAP 1.5/2A OG	81
9485.0038	SB 8/8 GS Earth with circle WH	129	27016.5	PRK 4/4A BU	17	27100.5	PAP 1.5/2A BU	81
17			27017.2	PSL 4/4A GNYE	17	27100.6	PAP 1.5/2A GR	12, 81
17241.5	FAPNT 16/2A BU	69, 83	27018.3	PRK 6/2A OG	18	27101.1	PAP 1.5/3A GN	13, 81
17247.8	SQI 16/2 YE	43, 68, 69, 91	27018.5	PRK 6/2A BU	18	27101.2	PAP 1.5/3A BG	81
17250.2	SES 35 BG	107				27101.3	PAP 1.5/3A OG	81
17250.4	SES 35 BK	107				27101.5	PAP 1.5/3A BU	81
17259.2	SHEs 35 BG	107				27101.6	PAP 1.5/3A GR	12, 13, 81
17400.8	FIQI 2.5-4/10 YE	66, 91				27102.1	PAP 1.5/4A GN	13, 81
17402.8	FIQI 2.5-4/2 YE	66, 91				27102.2	PAP 1.5/4A BG	81
17403.8	FIQI 2.5-4/3 YE	66, 91				27102.3	PAP 1.5/4A OG	81
17404.8	FIQI 2.5-4/4 YE	66, 91				27102.5	PAP 1.5/4A BU	81
17405.8	FIQI 2.5-4/5 YE	66, 91				27102.6	PAP 1.5/4A GR	13, 81
						27103.1	PAP 2.5/2A GN	81

Cat. no.	Type	Page	Cat. no.	Type	Page	Cat. no.	Type	Page
27103.2	PAP 2.5/2A BG	81	27117.3	PAP 16/4A OG	82	27152.5	PQI 6/2 BU	87
27103.3	PAP 2.5/2A OG	81	27117.5	PAP 16/4A BU	82	27152.9	PQI 6/2 RD	18, 19, 87
27103.5	PAP 2.5/2A BU	81	27117.6	PAP 16/4A GR	23, 82	27153.5	PQI 6/3 BU	87
27103.6	PAP 2.5/2A GR	14, 81	27118.1	PAPD 2.5 GN	82	27153.9	PQI 6/3 RD	18, 19, 87
27104.1	PAP 2.5/3A GN	81	27118.2	PAPD 2.5 BG	82	27154.5	PQI 6/4 BU	87
27104.2	PAP 2.5/3A BG	81	27118.3	PAPD 2.5 OG	82	27154.9	PQI 6/4 RD	18, 19, 87
27104.3	PAP 2.5/3A OG	81	27118.5	PAPD 2.5 BU	82	27155.5	PQI 6/5 BU	87
27104.5	PAP 2.5/3A BU	81	27118.6	PAPD 2.5 GR	26, 27, 82	27160.5	PQI 6/10 BU	87
27104.6	PAP 2.5/3A GR	14, 15, 81	27119.1	PAPIKD 2.5 GN	83	27160.9	PQI 6/10 RD	18, 19, 87
27105.1	PAP 2.5/4A GN	81	27119.2	PAPIKD 2.5 BG	83	27161.5	PQI 6/20 BU	87
27105.2	PAP 2.5/4A BG	81	27119.3	PAPIKD 2.5 OG	83	27161.9	PQI 6/20 RD	18, 19, 87
27105.3	PAP 2.5/4A OG	81	27119.5	PAPIKD 2.5 BU	83	27162.5	PQI 10/2 BU	87
27105.5	PAP 2.5/4A BU	81	27119.6	PAPIKD 2.5 GR	30, 31, 83	27162.9	PQI 10/2 RD	20, 21, 87
27105.6	PAP 2.5/4A GR	15, 81	27120.6	PAPVMAK 2.5 GR	33, 83	27163.5	PQI 10/3 BU	87
27106.1	PAP 4/2A GN	81	27121.6	PAPIKD/1 2.5 GR	31, 83	27163.9	PQI 10/3 RD	20, 21, 87
27106.2	PAP 4/2A BG	81	27122.5	PQI 1.5/2 BU	86	27164.5	PQI 10/4 BU	87
27106.3	PAP 4/2A OG	81	27122.9	PQI 1.5/2 RD	12, 13, 86	27164.9	PQI 10/4 RD	20, 21, 87
27106.5	PAP 4/2A BU	81	27123.5	PQI 1.5/3 BU	86	27165.5	PQI 10/5 BU	87
27106.6	PAP 4/2A GR	16, 18, 81	27123.9	PQI 1.5/3 RD	12, 13, 86	27165.9	PQI 10/5 RD	20, 21, 87
27107.1	PAP 4/3A GN	81	27124.5	PQI 1.5/4 BU	86	27170.5	PQI 10/10 BU	87
27107.2	PAP 4/3A BG	81	27124.9	PQI 1.5/4 RD	12, 13, 86	27170.9	PQI 10/10 RD	20, 21, 87
27107.3	PAP 4/3A OG	81	27125.5	PQI 1.5/5 BU	86	27171.5	PQI 10/20 BU	87
27107.5	PAP 4/3A BU	81	27130.5	PQI 1.5/10 BU	86	27171.9	PQI 10/20 RD	20, 21, 87
27107.6	PAP 4/3A GR	16, 17, 81	27130.9	PQI 1.5/10 RD	12, 13, 86	27172.5	PQI 16/2 BU	87
27108.1	PAP 4/4A GN	81	27131.5	PQI 1.5/20 BU	86	27172.9	PQI 16/2 RD	22, 23, 87
27108.2	PAP 4/4A BG	81	27131.9	PQI 1.5/20 RD	12, 13, 86	27174.6	PBA 2 GR	94
27108.3	PAP 4/4A OG	81	27132.5	PQI 2.5/2 BU	86	27175.6	PBA 3 GR	94
27108.5	PAP 4/4A BU	81	27132.9	PQI 2.5/2 RD	14, 15, 26, 27, 30, 31, 33, 86			
27108.6	PAP 4/4A GR	17, 81	27133.5	PQI 2.5/3 BU	86			
27109.1	PAP 6/2A GN	81	27133.9	PQI 2.5/3 RD	14, 15, 26, 27, 30, 31, 33, 86			
27109.2	PAP 6/2A BG	81	27134.5	PQI 2.5/4 BU	86			
27109.3	PAP 6/2A OG	81	27134.9	PQI 2.5/4 RD	14, 15, 26, 27, 30, 31, 33, 86			
27109.5	PAP 6/2A BU	81	27135.5	PQI 2.5/5 BU	86			
27109.6	PAP 6/2A GR	81	27135.9	PQI 2.5/5 RD	14, 15, 26, 27, 30, 31, 33, 86			
27110.1	PAP 6/3A GN	81	27140.5	PQI 2.5/10 BU	86			
27110.2	PAP 6/3A BG	81	27140.9	PQI 2.5/10 RD	14, 15, 26, 27, 30, 31, 33, 86			
27110.3	PAP 6/3A OG	81	27141.5	PQI 2.5/20 BU	86			
27110.5	PAP 6/3A BU	81	27141.9	PQI 2.5/20 RD	14, 15, 26, 27, 30, 31, 33, 86			
27110.6	PAP 6/3A GR	18, 19, 81	27142.5	PQI 4/2 BU	86			
27111.1	PAP 6/4A GN	81	27142.9	PQI 4/2 RD	16, 17, 86			
27111.2	PAP 6/4A BG	81	27143.5	PQI 4/3 BU	86			
27111.3	PAP 6/4A OG	81	27143.9	PQI 4/3 RD	16, 17, 86			
27111.5	PAP 6/4A BU	81	27144.5	PQI 4/4 BU	86			
27111.6	PAP 6/4A GR	19, 81	27144.9	PQI 4/4 RD	16, 17, 86			
27112.1	PAP 10/2A GN	81	27145.5	PQI 4/5 BU	86			
27112.2	PAP 10/2A BG	81	27145.9	PQI 4/5 RD	16, 17, 86			
27112.3	PAP 10/2A OG	81	27150.5	PQI 4/10 BU	86			
27112.5	PAP 10/2A BU	81	27150.9	PQI 4/10 RD	16, 17, 86			
27112.6	PAP 10/2A GR	20, 81	27151.5	PQI 4/20 BU	86			
27113.1	PAP 10/3A GN	81	27151.9	PQI 4/20 RD	16, 17, 86			
27113.2	PAP 10/3A BG	81						
27113.3	PAP 10/3A OG	81						
27113.5	PAP 10/3A BU	81						
27113.6	PAP 10/3A GR	20, 21, 81						
27114.1	PAP 10/4A GN	81						
27114.2	PAP 10/4A BG	81						
27114.3	PAP 10/4A OG	81						
27114.5	PAP 10/4A BU	81						
27114.6	PAP 10/4A GR	21, 82						
27115.1	PAP 16/2A GN	82						
27115.2	PAP 16/2A BG	82						
27115.3	PAP 16/2A OG	82						
27115.5	PAP 16/2A BU	82						
27115.6	PAP 16/2A GR	22, 82						
27116.1	PAP 16/3A GN	82						
27116.2	PAP 16/3A BG	82						
27116.3	PAP 16/3A OG	82						
27116.5	PAP 16/3A BU	82						
27116.6	PAP 16/3A GR	22, 23, 82						
27117.1	PAP 16/4A GN	82						
27117.2	PAP 16/4A BG	82						

28

28342.7	PC-SB 5x5/48 WH	14, 15, 26, 27, 30, 31, 33
28343.7	PC-SB 6x5/40 WH	16, 17, 18-21, 22, 23
28350.7	PC-SB 3.5x5/56 WH	12, 13

Notes



Otto-Hahn-Str. 7
D-33161 Hövelhof,
Germany

Phone +49 (0) 5257 9833-0 info@conta-clip.com
Fax +49 (0) 5257 9833-33 www.conta-clip.com



Our products for your challenges:

01 CONTA-CONNECT
Terminal blocks
with Push-in connection system
Cat. no. 98070.2

02 CONTA-CONNECT
Terminal blocks with screw connection
system and special terminals
Cat. no. 98071.2

03 CONTA-CONNECT
Terminal blocks
with tension-spring connection
Cat. no. 98072.2

04 CONTA-CONNECT
Installation materials and
other accessories for terminal blocks
Cat. no. 98073.2

05 CONTA-LABEL
Marking components
for thermal-transfer marking systems
Cat. no. 98074.2

06 CONTA-LABEL
Marking components
for ink-based marking systems
Cat. no. 98075.2

07 CONTA-BOX
Housings
Cat. no. 98076.2

08 KDS Cable management systems
KDS cable entries,
KES cable entries,
SAB/SSAB/SABK shielding solutions
Cat. no. 98077.2

09 CONTA-ELECTRONICS
Electrical and electronic cabinet components
Cat. no. 98078.2

10 CONTA-CON
PCB terminals and connectors
Cat. no. 98079.2