

# *Product Information*



## *COSMO Optical Product Information*

### *Photo Triac & Mini package series*

冠西電子企業股份有限公司

*COSMO Electronics Corporation.*

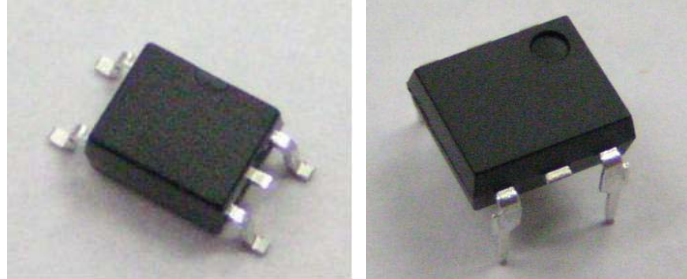
[WWW.COSMO-IC.COM](http://WWW.COSMO-IC.COM)

DOC NO.: MK0607172.1

## Photo Triac KMOC & KTLP Series



**KMOC & KTLP Series is COSMO photo triac with the function of 400V 600V 800V VDRM zero crossing & non-zero crossing series products which is suitable for applying in SSR, SPS...etc.**



### Product Features

- ◆ Zero crossing and Non-zero crossing are available in a variety of packages.
- ◆ High isolation voltage
  - 5300Vrms for DIP package devices
  - 3750Vrms for mini flat package devices
- ◆ High Off-state Output Terminal voltage
  - VDRM=400V, 600V, 800V
- ◆ Trigger current
  - $I_{FT}=5\text{mA}$ , 10mA, 15mA for DIP package devices
  - $I_{FT}=5\text{mA}$ , 7mA, 10mA for mini flat package devices
- ◆ On-state current
  - $I_{TM}=100\text{mA}$  for DIP package devices
  - $I_{TM}=70\text{mA}$  for mini flat package devices



### Application

- Solenoid/valve Controls
- Static Power Switches
- AC Motor Drives
- Temperature Controls
- AC Motor Starters
- E.M. Contactors
- Solid State Relay
- Lighting Controls

## Photo Triac KMOC & KTLP Series



### Electrical characteristics (Ta=25 °C)

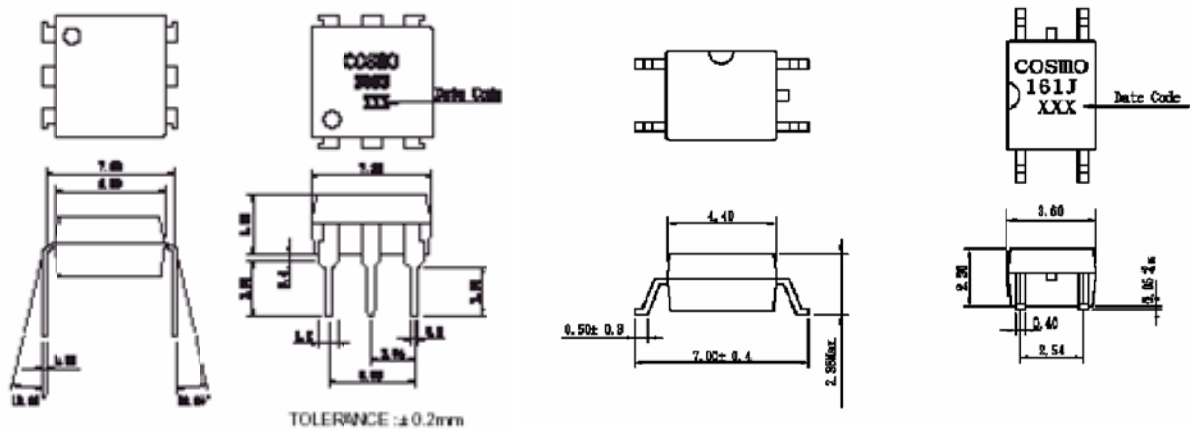
Photo Coupler For Triac output										
Model Number	Internal Connection Diagram	IF(mA)	VDRM (VPEAK)	Viso (Vrms)	VF Max. (V)	IDRM Max. (nA)	IFT Max. (mA)	VTM Typ. (V)	VINH Max. (V)	dv/dt Min. (V/us)
KMOC3011		50	600	5300	1.4	500	10	1.6	-	1000
KMOC3012		50	600	5300	1.4	500	10	1.8	20	1000
KMOC302X		50	400	5300	1.4	100	15 10 5	1.6	-	1000
KMOC304X		50	400	5300	1.4	500	15 10 5	1.8	20	1000
KMOC305X		50	600	5300	1.4	500	15 10 5	1.6	-	1000
KMOC306X		50	600	5300	1.4	500	15 10 5	1.8	20	1000
KMOC308X		50	800	5300	1.4	500	15 10 5	1.8	20	1000

## Photo Triac KMOC & KTLP Series

Photo Coupler For Triac output										
Model Number	Internal Connection Diagram	IF(mA)	VDRM (VPEAK)	Viso (Vrms)	VF Max. (V)	IDRM Max. (nA)	IFT Max. (mA)	VTM Typ. (V)	VINH Max. (V)	dv/dt Min. (V/us)
<a href="#">KTLP160G</a>		50	400	3750	1.4	1000	10	3	-	1000
<a href="#">KTLP160J</a>		50	600	3750	1.4	1000	10	3	-	1000
<a href="#">KTLP165J</a>		50	600	3750	1.4	1000	10	3	-	1000
<a href="#">KTLP260J</a>		50	600	3750	1.4	1000	10	3	-	1000
<a href="#">KTLP161G</a>		50	400	3750	1.4	1000	10	3	20	1000
<a href="#">KTLP161J</a>		50	600	3750	1.4	1000	10	3	20	1000
<a href="#">KTLP166J</a>		50	600	3750	1.4	1000	10	3	20	1000
<a href="#">KTLP168J</a>		50	600	3750	1.4	1000	3	3	20	1000
<a href="#">KTLP161L</a>		50	800	3750	1.4	1000	10	3	20	1000



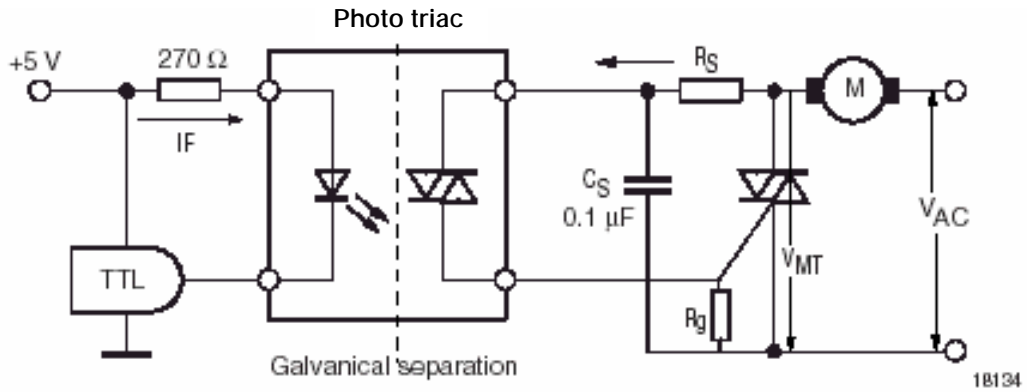
### Package dimensions



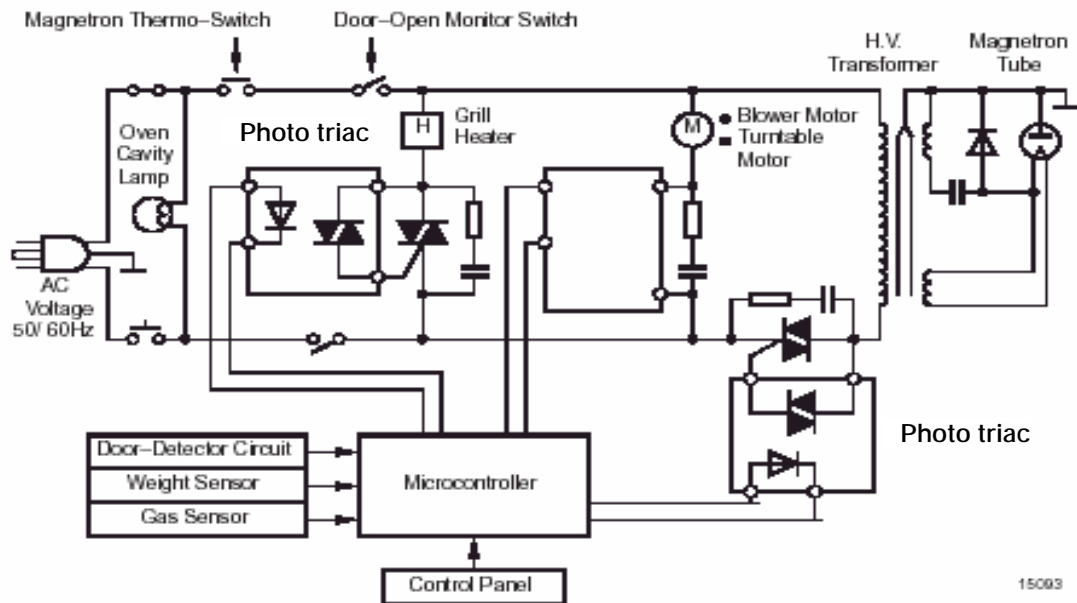


### Application Example

#### Triac Driver

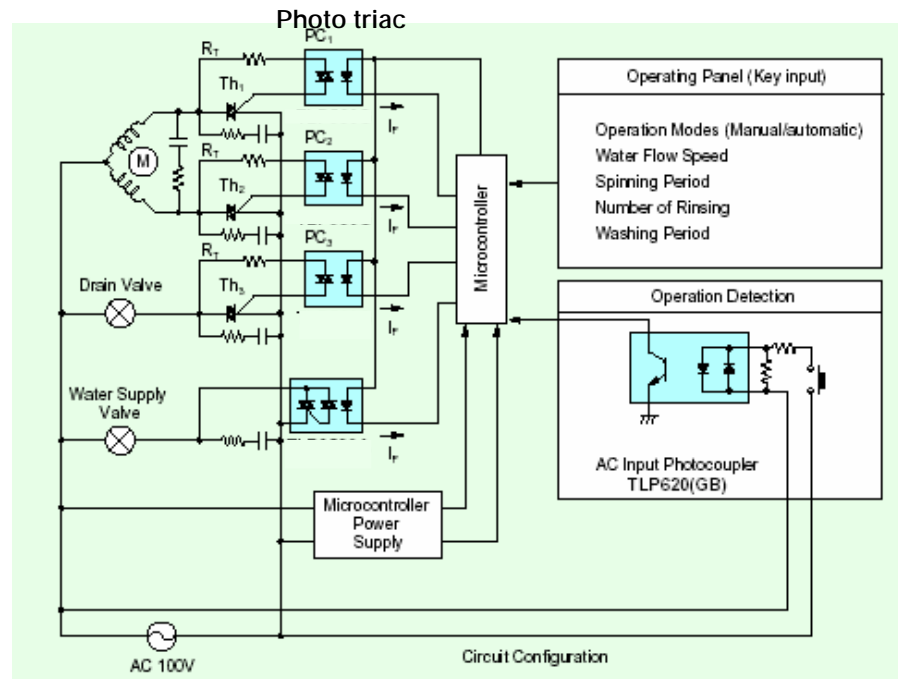


#### Microwave Oven with Grill

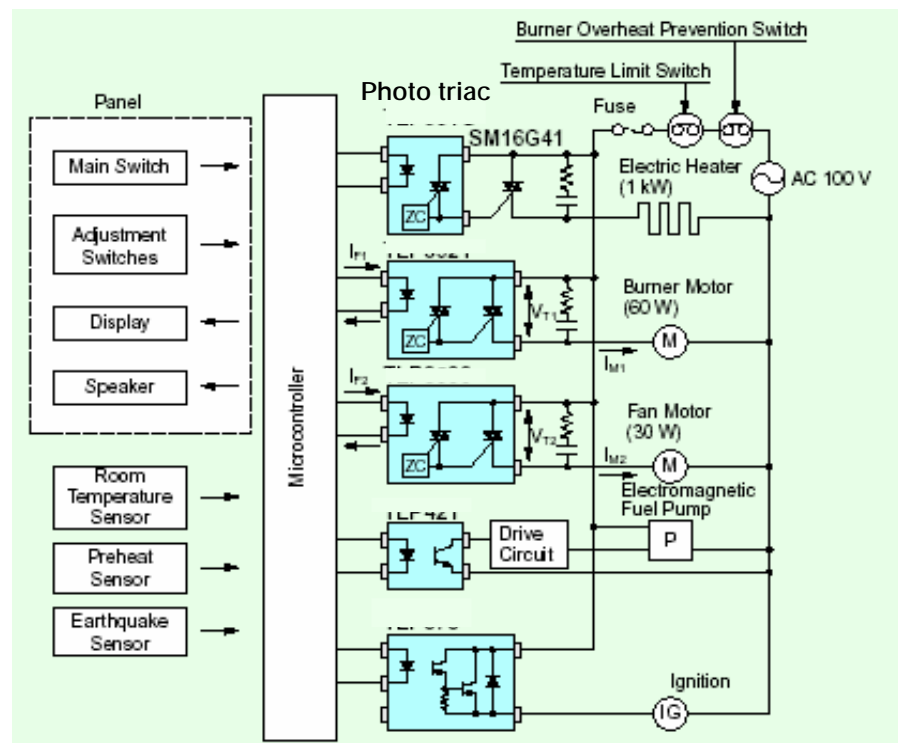


## Photo Triac KMOC & KTLP Series

### Washing Machine

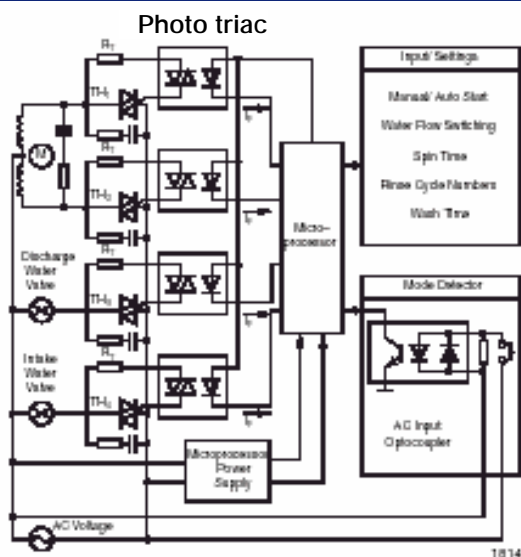


### Fan Heater



## Photo Triac KMOC & KTLP Series

Consumer Application



 Cross Reference

COSMO	TOSHIBA	SHARP	FAIRCHILD	VISHAY	NAIS
KMOC302X	TLP560G TLP665G TLP302X(S)	S11MD9T S11MD7T PR22MA11NTZF	MOC302X	IL440-X K302XP	
KMOC304X	TLP561G TLP666G TLP304X(S)	S11MD4T/4V S11MD5T S11MD8T	MOC304X		
KMOC305X	TLP560J TLP305X(S) TLP665J	PR32MA11NTZF PC3SD11 S21MD3V	MOC305X	IL440-X VO305X	APT1222
KMOC306X	TLP561J TLP663J TLP306X(S)	S21MD8T S21ME4 S21MD4TV	MOC306X	IL410 VO306X	APT1212
KMOC308X	TLP3783 TLP669L	S21ME8	MOC308X	IL4108	
KTLP160	TLP160	S2S3000F	FODM3022 FODM3052	VOM160R	
KTLP161	TLP161	S2S4000F	FODM3063 FODM3083		





冠西電子企業股份有限公司  
*COSMO Electronics Corporation.*

*www.cosmo-ic.com*

*COSMO Electronics Corp.  
8F, No.258, Lian Cheng Rd., Chung-Ho Dist,  
New Taipei City 235 Taiwan, R.O.C.  
Tel:886-2-8227-1877 Fax:886-2-8227-1855  
E-mail:sales@cosmo-ic.com <http://www/cosmo-ic.com>*

The information contained in this document is intent to be a general product description only and is subject to change without notice. Please contact Cosmo in order to obtain the latest device data sheets before using any Cosmo devices. Cosmo does not assume any responsibility for use of any circuitry described; no circuit patent licenses are implied. This publication is the property of Cosmo. No part of this publication may be reproduced or copied in any form or by any means, or transferred to any third party without the prior written consent of Cosmo Electronics Corporation.

Please note: The devices listed in this document are designed for general applications only in electronic equipment. No devices shall be deployed which require higher level of reliability such as medical and other life support equipments; space application ; telecommunication equipment (trunk lines) and nuclear power control equipment unless it received prior written approval from Cosmo. Cosmo takes no responsibility for damages arise from the improper usage of our device. Should you require more information on the above notice, please contact Cosmo.

DOC NO.: MK0607172.1