

# ***Product Information***



## ***COSMO Optical Product Information***

### **8-Pin Power Photo Triac KTLP3616 / 3617**

冠西電子企業股份有限公司

*COSMO Electronics Corporation.*

[WWW.COSMO-IC.COM](http://WWW.COSMO-IC.COM)

# 8-Pin Power Photo Triac KTLP3616 / 3617

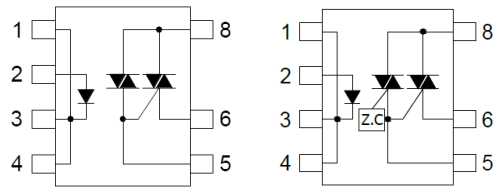
KTLP3616 and KTLP3617 are COSMO POWER PHOTO TRIAC,

the output includes a photo triac and a power triac, with 600V VDRM, 1.2A On-state R.M.S current, zero crossing & non-zero crossing type, housed in 8-pin DIP package, which is suitable for applying in motor or heater...etc.



## Product Features

- ◆ **Zero crossing / Non-zero crossing** are available.
- ◆ High isolation voltage: **5300Vrms**
- ◆ High Off-state Output Terminal voltage (VDRM)= **600V**
- ◆ High On-state R.M.S Current  
IT(RMS)= **1.2A**



## Application

- Home Appliances (Air conditioner, Washing Machine, Coffee Machine...etc)
- Light Dimmer
- TRIAC Driver
- Programmable Controllers
- AC Output Module
- Solid State Relay
- AC Motor Starters
- Switching motors, fans, heaters, solenoids and valves
- Phase or power control in application such as lighting and temperature control
- Isolated interface between high voltage AC devices and lower voltage DC control circuitry.

# 8-Pin Power Photo Triac KTLP3616 / 3617

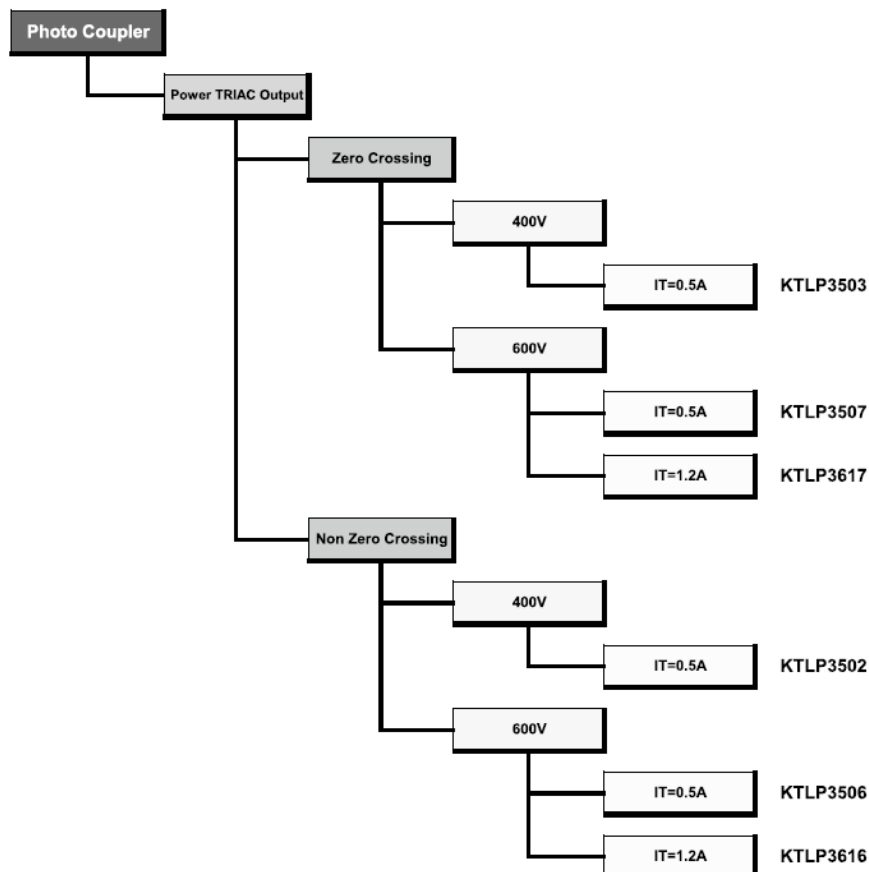


## Electrical characteristics (Ta=25°C)

Photo Coupler For AC Power Triac output													
Model Number	Internal Connection Diagram	IF (mA)	VDRM (VPEAK)	IT(rms A)	Viso(Vrms)	IDRM Max. (nA)	IDRM Max. (nA)	IFT Max. (mA)	VTM Max. (V)	VINH Max. (V)	dv/dt Typ. (V/us)	UL CUL	VDE
KTLP3502		50	400	0.5	5300	1.4	100	10	3	-	1000	⊙	⊙
KTLP3506		50	600	0.5	5300	1.4	100	10	3	-	1000	⊙	⊙
KTLP3616		50	600	1.2	5300	1.4	100	10	3	-	1000	⊙	⊙
KTLP3503		50	400	0.5	5300	1.4	100	10	3	50	1000	⊙	⊙
KTLP3507		50	600	0.5	5300	1.4	100	10	3	50	1000	⊙	⊙
KTLP3617		50	600	1.2	5300	1.4	100	10	3	50	1000	⊙	⊙



## Product Tree - Power Photo Triac

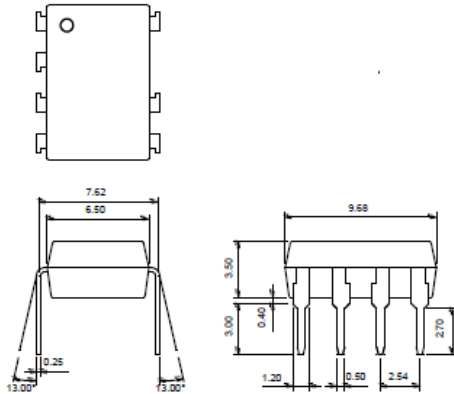


# 8-Pin Power Photo Triac KTLP3616 / 3617

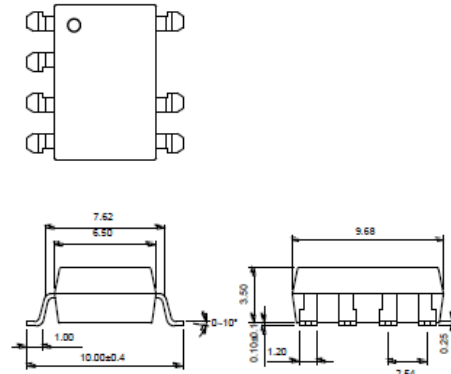


## Package Options

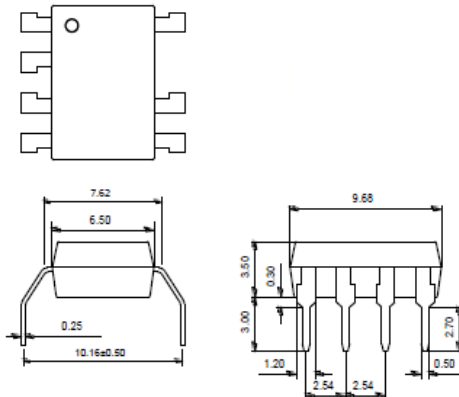
1. Dual-in-line type.



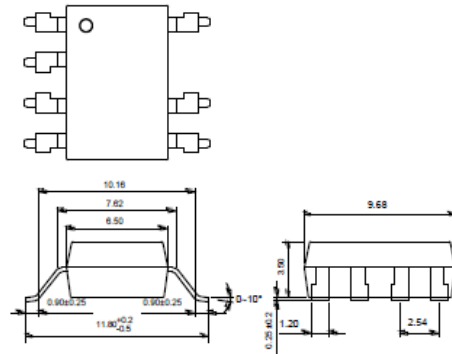
2. Surface mount type.



3. Long creepage distance type.



4. Long creepage distance for surface mount type.



TOLERANCE : ±0.2mm



## Cross Reference

Body Package	<b>COSMO</b>	TOSHIBA	SHARP	PANASONIC
8 Pin (Zero Crossing)	KTLP3503	TLP3503	PR26MF21NSZF	-
	KTLP3507	TLP3507	PR36MF21NSZF	-
	KTLP3617	TLP3617	PR3BMF21NSZF	AQH3213
8Pin (Non Zero Crossing)	KTLP3502	TLP3502	PR26MF11NSZF	-
	KTLP3506	TLP3506	PR36MF51NSZF	-
	KTLP3616	TLP3616	PR3BMF51NSKF	AQH3223



## Cross Reference - Photo Triac Series

PANASONIC/NAIS	cosmo
AQH0213	KTLP3507
AQH1213	KTLP3617
AQH2213	KTLP3617
AQH3213	KTLP3617
AQH0223	KTLP3506
AQH1223	KTLP3616
AQH2223	KTLP3616
AQH3223	KTLP3616
APT1211W	KMOC3012
APT1221W	KMOC3011

VISHAY	cosmo
VO2526	KTLP3616
K3021P	KMOC3021
K3022P	KMOC3022
K3023P	KMOC3023
VO3052	KMOC3052
VO3053	KMOC3053
VO3062	KMOC3062
VO3063	KMOC3063
VOM160R	KTLP160J

SHARP	cosmo
PR26MF11NSZF	KTLP3502
PR36MF11NSZF	KTLP3516
PR36MF51NSZF	KTLP3616
PR38MF51NSKF	KTLP3616
PR23MF11NSZ	KTLP3502
PR39MF51NSZ	KTLP3616
PR26MF21NSZF	KTLP3503
PR36MF21NSZF	KTLP3617
PR38MF21NSZF	KTLP3617
PC3ST11NSZAF	KMOC3011
PC3ST21NSZBF	KMOC3012
PR22MA11NTZF	KMOC3023
PC2SD11NTZAF	KMOC3023
S11MD5V	KMOC3023
S11MD3	KMOC3023
S11MD7T	KMOC3023
S11MD9T	KMOC3023
S11MD4T	KMOC3043
S11MD4V	KMOC3043
S11MD5T	KMOC3043
S11MD8T	KMOC3043
PR32MA11NTZF	KMOC3053
PC3SD11	KMOC3053
S21MD3V	KMOC3053
S21MD7T	KMOC3053
S21MD9T	KMOC3053
S21ME3	KMOC3053
S21MD8T	KMOC3063
S21ME4	KMOC3063
S21MD4TV	KMOC3063
PC3SD21	KMOC3063
S21MD3TV	KMOC3063
S2S3000F	KTLP160J
S2S5A00F	KTLP160J
S2S4000F	KTLP161J

TOSHIBA	cosmo
TLP3502	KTLP3502
TLP3506	KTLP3506
TLP3616	KTLP3616
TLP3503	KTLP3503
TLP3507	KTLP3507
TLP3617	KTLP3617
TLP360J	KMOC3011
TLP361J	KMOC3012
TLP363J	KMOC3012
TLP3021	KMOC3021
TLP3022	KMOC3022
TLP3023	KMOC3023
TLP560G	KMOC3023
TLP665G	KMOC3023
TLP3041	KMOC3041
TLP3042	KMOC3042
TLP3043	KMOC3043
TLP561G	KMOC3043
TLP666G	KMOC3043
TLP3051	KMOC3051
TLP3052	KMOC3052
TLP3052A	KMOC3053
TLP560J	KMOC3053
TLP762J	KMOC3053
TLP665J	KMOC3053
TLP3061	KMOC3061
TLP3062	KMOC3062
TLP3063	KMOC3063
TLP561J	KMOC3063
TLP763J	KMOC3063
TLP663J	KMOC3063
TLP666J	KMOC3063
TLP668J	KMOC3063

TOSHIBA	cosmo
TLP3081	KMOC3081
TLP3082	KMOC3082
TLP3083	KMOC3083
TLP3782	KMOC3082
TLP3783	KMOC3083
TLP666L	KMOC3083
TLP669L	KMOC3083
TLP160G	KTLP160G
TLP160J	KTLP160J
TLP165J	KTLP165J
TLP260J	KTLP260J
TLP265J	KTLP260J
TLP267J	KTLP260J
TLP161G	KTLP161G
TLP161J	KTLP161J
TLP163J	KTLP166J
TLP166J	KTLP166J
TLP168J	KTLP168J
TLP266J	KTLP168J
TLP268J	KTLP168J



## Cross Reference - Photo Triac Series

FAIRCHILD	cosmo
MOC3021M	KMOC3021
MOC3022M	KMOC3022
MOC3023M	KMOC3023
MOC3041M	KMOC3041
MOC3042M	KMOC3042
MOC3043M	KMOC3043
MOC3051M	KMOC3051
MOC3052M	KMOC3052
MOC3053M	KMOC3053
MOC3061M	KMOC3061
MOC3062M	KMOC3062
MOC3063M	KMOC3063
MOC3081M	KMOC3081
MOC3082M	KMOC3082
MOC3083M	KMOC3083
FODM3022	KTLP160G
FODM3052	KTLP160J
FODM3063	KTLP161J
FODM3083	KTLP161L

LITEON	cosmo
LTV-0213	KTLP3507
LTV-1213	KTLP3617
LTV-2213	KTLP3617
LTV-3213	KTLP3617
LTV-0223	KTLP3506
LTV-1223	KTLP3616
LTV-2223	KTLP3616
LTV-3223	KTLP3616
MOC3021	KMOC3021
MOC3022	KMOC3022
MOC3023	KMOC3023
MOC3052	KMOC3052
MOC3062	KMOC3062
MOC3063	KMOC3063
MOC3083	KMOC3083
LTV-3022	KTLP160G
LTV-3052	KTLP160J
LTV-3062	KTLP161J

EVERLIGHT	cosmo
ELT3052	KMOC3011
ELT3062	KMOC3012
EL3021	KMOC3021
EL3022	KMOC3022
EL3023	KMOC3023
EL3041	KMOC3041
EL3042	KMOC3042
EL3043	KMOC3043
EL3051	KMOC3051
EL3052	KMOC3052
EL3053	KMOC3053
EL3061	KMOC3061
EL3062	KMOC3062
EL3063	KMOC3063
EL3081	KMOC3081
EL3082	KMOC3082
EL3083	KMOC3083
ELM3022	KTLP160G
ELM3052	KTLP160J
ELM3042	KTLP161G
ELM3062	KTLP161J
ELM3064	KTLP168J



冠西電子企業股份有限公司

*COSMO Electronics Corporation.*

*COSMO Electronics Corp.*

*8F, No.258, Lian Cheng Rd., Chung-Ho Dist,*

*New Taipei City 235 Taiwan, R.O.C.*

*Tel:886-2-8227-1877 Fax:886-2-8227-1855*

*E-mail: sales@cosmo-ic.com <http://www.cosmo-ic.com>*

❖ The information contained in this document is intent to be a general product description only and subject to change without notice. Please contact Cosmo in order to obtain the latest device data sheets before using any Cosmo devices. Cosmo does not assume any responsibility for use of any circuitry described; no circuit patent licenses are implied. This publication is the property of Cosmo. No part of this publication may be reproduced or copied in any form or by any means, or transferred to any third party without the prior written consent of Cosmo Electronics Corporation.

❖ Please note: The devices listed in this document are designed for general applications only in electronic equipment. No devices shall be deployed which require higher level of reliability such as medical and other life support equipments; space application ; telecommunication equipment (trunk lines) and nuclear power control equipment unless it received prior written approval from Cosmo.

Cosmo takes no responsibility for damages arise from the improper usage of our device.

Should you require more information on the above notice, please contact Cosmo.