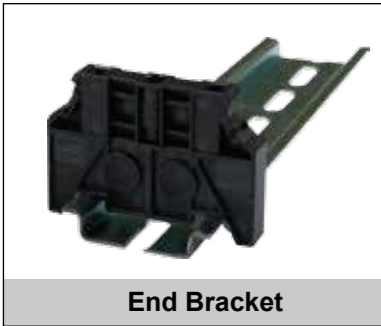


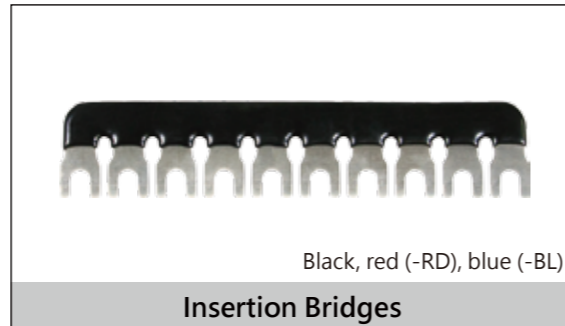
## Accessories



End Bracket



End Cover



Black, red (-RD), blue (-BL)

Insertion Bridges

Part number	Compatible Products	Package
SS4N-BK	ALL	100 PCS

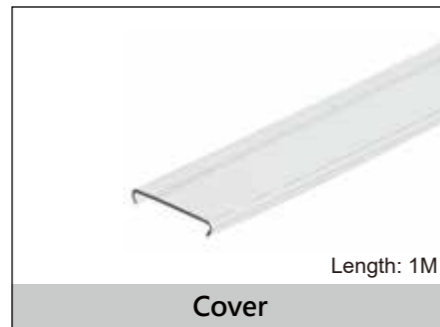
Part number	Compatible Products	Package
DKU15C	DKU15, DKU20	50 PCS
DKU30C	DKU30	50 PCS
DKU40C	DKU40	20 PCS
DKU60C	DKU60	20 PCS
DKB15NE	DKB15N, DKB20N	50 PCS
DKB30NE	DKB30N	50 PCS
DKB40NE	DKB40N	20 PCS
DKB60NE	DKB60N	20 PCS

Part number	Compatible Products	Package
CSK11-15XX-A	DKU15, DKUP15-XXPK	2P, 3P / 100 PCS
CSK11-15XX-A-RD	DKB15N, DKB15N-XXPCK	6P / 50 PCS
CSK11-15XX-A-BL		20P / 20 PCS
CSK11-20XX-A	DKU20, DKUP20-XXPK	2P, 3P / 100 PCS
CSK11-20XX-A-RD	DKB20N, DKB20N-XXPCK	6P / 50 PCS
CSK11-20XX-A-BL		20P / 20 PCS
CSK11-30XX-A	DKU30, DKUP30-XXPK	2P, 3P / 100 PCS
CSK11-30XX-A-RD	DKB30N, DKB30N-XXPCK	6P / 50 PCS
CSK11-30XX-A-BL		10P / 20 PCS
CSK11-40XX-A	DKU40, DKUP40-XXPK	2P, 3P / 50 PCS
CSK11-40XX-A-RD	DKB40N, DKB40N-XXPCK	
CSK11-40XX-A-BL		
CSK11-60XX-A	DKU60, DKUP60-XXPK	2P, 3P / 50 PCS
CSK11-60XX-A-RD	DKB60N, DKB60N-XXPCK	
CSK11-60XX-A-BL		



Length: 60M

Label



Length: 1M

Cover



Thermal Transfer Printer

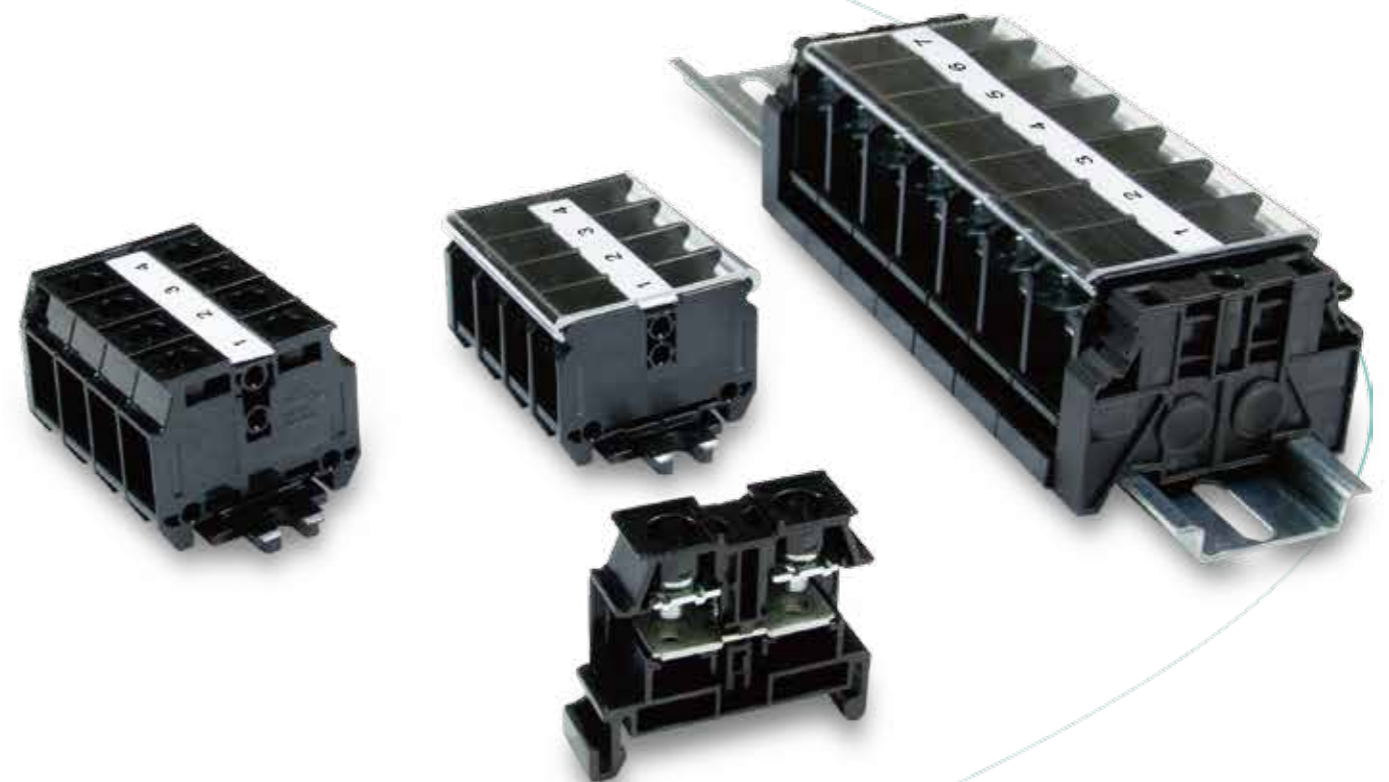
Part number	Compatible Products	Package
TM-R100	ALL	1PCS

Part number	Compatible Products	Package
DKBC10-1000	DKB15N, DKB20N, DKB30N, DKB40N	1 PCS
DKBC60N-1000	DKB60N	1 PCS

Part number	Compatible Products	Package
TMP-004	TM-R100	1 PCS



# Terminal Block



DINKLE INTERNATIONAL CO., LTD.

No.19, Wuquan 2nd Road, Wugu District,  
24890 New Taipei City, Taiwan

TEL:+886-2-8069-9000 7705-6900 FAX:+886-2-2290-1702

DINKLE CORPORATION, USA

13748 Pike Road, Missouri City, Texas, USA 77489

TEL:+1-832-539-4703 Toll-Free:+1-844-273-1850 FAX:+1-832-532-7226

DINKLE S.R.L., ITALY

Via Stabilini n°14, 23864 Malgrate (LC), Italia

TEL:+39/0341176154

The catalog is for reference only. Dinkle reserves the right to make technical changes.

AUG./2021



DINKLE INTERNATIONAL CO., LTD.



DF-001E

## DKU Series



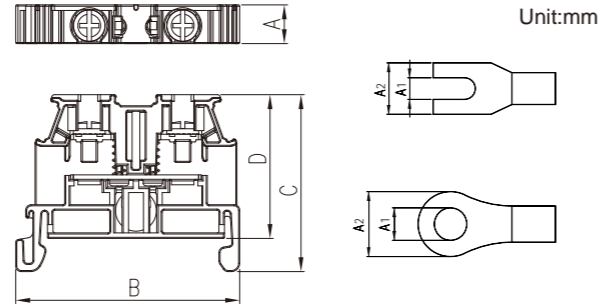
- Wire ready & quick wiring
- Rated from 15A to 60A
- Compatible to standard TS-35 DIN rail
- UL 1059 recognized, complies with IEC 60947-7-1 standard

Designed with spring guided system, the screws can be backed out to allow ring or fork cable lug easily inserted and installed without entirely removing the screws and washer.

Accessories includes CSK11 jumpers for short circuit or power distribution applications, and TM-R100 markers for labelling and identification.

### DKU

Part number	A	B	C	D
DKU15	7	40.5	32	26
DKU20	8.2	40.5	32	26
DKU30	10.5	40.5	35	29
DKU40	11	43.5	36.5	30.5
DKU60	14	47.7	40	34



Part number	Wire range	Rated voltage (V)	Rated current (A)	Screw	Rated torque (N.m)	Ring / Fork Cable Lugs		Accessories	
						A1min (mm)	A2 max (mm)	End Cover	Cover
DKU15	26~14 AWG (0.14~1.5mm <sup>2</sup> )	600	15	M3	0.6~1.0	3.2	6	DKU15C	
DKU20	26~12 AWG (0.14~2.5mm <sup>2</sup> )	600	20	M3.5	1.0~1.3	3.7	7.2	DKU15C	
DKU30	26~10 AWG (0.2~4mm <sup>2</sup> )	600	30	M4	1.4~2.0	4.3	9.5	DKU30C	
DKU40	24~8 AWG (0.14~6mm <sup>2</sup> )	600	45	M4	1.4~2.0	4.3	9.8	DKU40C	
DKU60	20~6 AWG (0.5~16mm <sup>2</sup> )	600	60	M5	2.6~3.7	5.3	12	DKU60C	

\* Wiring with ring or fork cable lug.

## DKB..N Series



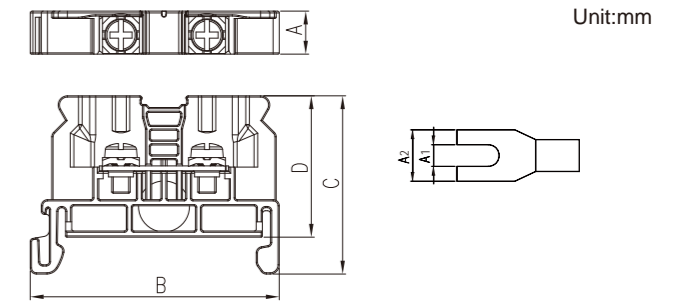
- Feed-through terminal block
- Rated from 15A to 60A
- Compatible to standard TS-35 DIN rail

Designed with compact housing while not compromising on its electrical specifications, it is ideal for limited spaced applications.

Accessories includes CSK11 jumpers for short circuit or power distribution applications, and TM-R100 markers for labelling and identification.

### DKB..N

Part number	A	B	C	D
DKB15N	7	40.5	29	23
DKB20N	8.2	40.5	29	23
DKB30N	10.5	40.5	31.5	25.5
DKB40N	11	41	33.5	27.5
DKB60N	14	47.7	37	31



Part number	Wire range	Rated voltage (V)	Rated current (A)	Screw	Rated torque (N.m)	Fork Cable Lugs		Accessories	
						A1min (mm)	A2 max (mm)	End Cover	Cover
DKB15N	26~14 AWG (0.14~1.5mm <sup>2</sup> )	600	15	M3	0.6~1.0	3.2	6	DKB15NE	DKBC10-PXXXX
DKB20N	26~12 AWG (0.14~2.5mm <sup>2</sup> )	600	20	M3.5	0.8~1.0	3.7	7.2	DKB15NE	DKBC10-PXXXX
DKB30N	22~10 AWG (0.34~4mm <sup>2</sup> )	600	30	M4	1.2~1.5	4.3	8.5	DKB30NE	DKBC10-PXXXX
DKB40N	22~8 AWG (0.34~6mm <sup>2</sup> )	600	40	M4	1.2~1.5	4.3	8.5	DKB40NE	DKBC10-PXXXX
DKB60N	20~8 AWG (0.5~10mm <sup>2</sup> )	600	60	M5	1.6~1.8	6.4	11	DKB60NE	DKBC60N-PXXXX

\* Wiring with fork cable lug.

## DKUP Series



- Wire ready & quick wiring
- Rated from 15A to 60A
- anel mount
- UL 1059 recognized, complies with IEC 60947-7-1 standard

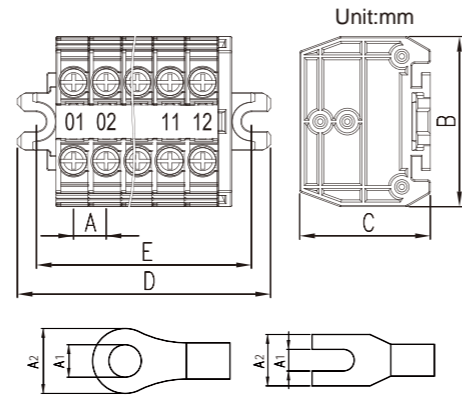
Designed with spring guided system, the screws can be backed out to allow ring or fork cable lug easily inserted and installed without entirely removing the screws and washer.

DKUP series offer 02P ~ 12P, pre-installed with printed markers. CSK11 jumpers is also available for short circuit or power distribution applications.

\*Please contact DINKLE for any custom position and labelling requests.

### DKUP..-XXPK

Part number	A	B	C	D	E
DKUP15-XXPK	7	36.5	28	(7*P)+19.6	(7*P)+11.4
DKUP20-XXPK	8.2	36.5	28	(8.2*P)+19.6	(8.2*P)+11.4
DKUP30-XXPK	10.5	36.5	30	(10.5*P)+21	(10.5*P)+13
DKUP40-XXPK	11	41	34	(11*P)+21	(11*P)+13
DKUP60-XXPK	14	44.5	39	(14*P)+21	(14*P)+13



Part number	Wire range	Rated voltage (V)	Rated current (A)	Screw	Rated torque (N.m)	Ring / Fork Cable Lugs	
						A1min (mm)	A2 max (mm)
DKUP15-XXPK	26~14 AWG (0.14~1.5mm <sup>2</sup> )	600	15	M3	0.6~1.0	3.2	6
DKUP20-XXPK	26~12 AWG (0.14~2.5mm <sup>2</sup> )	600	20	M3.5	1.0~1.3	3.7	7.2
DKUP30-XXPK	26~10 AWG (0.2~4mm <sup>2</sup> )	600	30	M4	1.4~2.0	4.3	9.5
DKUP40-XXPK	24~8 AWG (0.14~6mm <sup>2</sup> )	600	45	M4	1.4~2.0	4.3	9.8
DKUP60-XXPK	20~6 AWG (0.5~16mm <sup>2</sup> )	600	60	M5	2.6~3.7	5.3	12

\* Wiring with ring or fork cable lug.

## DKB..N-XXPCK Series



- Feed-through terminal block
- Rated from 15A to 60A
- Panel mount

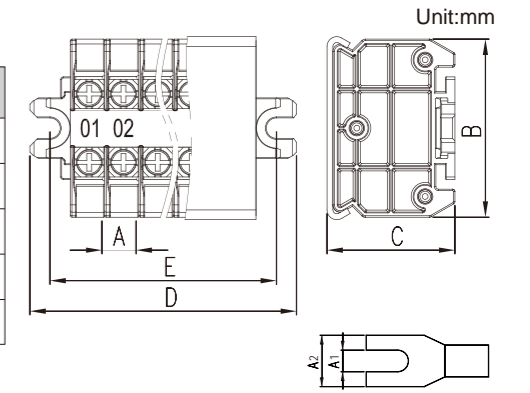
Designed with compact housing while not compromising on its electrical specifications, it is ideal for limited spaced applications.

DKB..N-XXPCK series offer 02P ~ 12P, pre-installed with a plastic cover and printed markers. CSK11 jumpers is also available for short circuit or power distribution applications.

\*Please contact DINKLE for any custom position and labelling requests.

### DKB..N-XXPCK

Part number	A	B	C	D	E
DKB15N-XXPCK	7	36.5	25	(7*P)+19.6	(7*P)+11.4
DKB20N-XXPCK	8.2	36.5	25	(8.2*P)+19.6	(8.2*P)+11.4
DKB30N-XXPCK	10.5	36.5	26.5	(10.5*P)+21	(10.5*P)+13
DKB40N-XXPCK	11	38.5	30	(11*P)+21	(11*P)+13
DKB60N-XXPCK	14	44.5	36	(14*P)+21	(14*P)+13



Part number	Wire range	Rated voltage (V)	Rated current (A)	Screw	Rated torque (N.m)	Fork Cable Lugs	
						A1min (mm)	A2 max (mm)
DKB15N-XXPCK	26~14 AWG (0.14~1.5mm <sup>2</sup> )	600	15	M3	0.6~1.0	3.2	6
DKB20N-XXPCK	26~12 AWG (0.14~2.5mm <sup>2</sup> )	600	20	M3.5	0.8~1.0	3.7	7.2
DKB30N-XXPCK	22~10 AWG (0.34~4mm <sup>2</sup> )	600	30	M4	1.2~1.5	4.3	8.5
DKB40N-XXPCK	22~8 AWG (0.34~6mm <sup>2</sup> )	600	40	M4	1.2~1.5	4.3	8.5
DKB60N-XXPCK	20~8 AWG (0.5~10mm <sup>2</sup> )	600	60	M5	1.6~1.8	6.4	11

\* Wiring with fork cable lug.