

()
INTERSTATE COUNCIL FOR STANDARDIZATION. METROLOGY AND CERTIFICATION
(ISC)

**IEC 60331-3-
2021**

3

0,6/1,0

830 °C

(IEC 60331-3:2018, IDT)

2021

IEC 60331*3—2021

1.0 «
 1.2 «
 »
 1 «
 »)
 5
 2 «
 46
 3 (-
 30 2021 . No 139-)
 :

(3164) 004—97	(3166) 004-97	
	AM BY KG RU TJ UZ	« »

4 17
 2021 . 727- IEC 60331*3—2021
 1 2022 .
 5 IEC 60331-3:2018 «
 3. -
 0,6/1.0 , -
 830 ”
 » («Test for electric cables under fire conditions — Circuit integrity — Part 3: Test method for fire with shock at a temperature of at least 830 °C for cables of rated voltage up to and including 0.6/1.0 kV tested in a metal enclosure». IDT).
 IEC 60331-3:2018 20 « -
 » (IEC).
 6 IEC 60331-3—2013
 7 . -
 (IEC)
 -

() -

, , -

, .

-

, « »

© IEC.2018

© . « ». 2021



IEC 60331*3—2021

1		1
2		1
3		2
4		2
5		2
6	0.6 /1.0	().....	9
7	0.6 /1,0	().....	10
8	0.6 /1.0	().....	12
9		12
10	0.6 /1.0	().....	12
		().....	13
		().....	15
		().....	16
		17

IEC 60331-3—2021

IEC 60331		«		-
*	1.	20	0.6/1.0	830
		;		'
»	2.	20	0.6/1.0	830 °C
		;		-
-	3.		0.6/1.0	,
				'
830 *				;
-	11.			750 °C;
-	21.			.
0.6/1.0		;		.
-	23.			-
;				
-	25.			.
				.
1	21. 23 25		750 *	.
2	11. 21.23 256			.
		1 21 60331.		-
		IEC 60331 (1970)		,
				-
				,
				,
				.

IEC 60331-3—2021

3

0,6/1,0

830

Tests for electric cables under fire conditions. Circuit integrity. Part 3. Test method for fire with shock at a temperature of at least 830° C for cables of rated voltage up to and including 0.6/1.0 kV tested in a metal enclosure

— 2022—01—01

1

0.6/1.0

80

20

0.6/1,0

8

(1.8/3,0 (3.3))

IEC 60331-1

IEC 60331-2.

IEC 60331-1:2018 (

11)

IEC 60331-2:2018

(11)

2

():

IEC 60331'3—2021

IEC 60269'3, Low-voltage fuses — Part 3: Supplementary requirements for fuses for use by unskilled persons (fuses mainly for household and similar applications) — Examples of standardized systems of fuses A to F () 3.

IEC 60331'1:2018, Tests for electric cables under fire conditions — Circuit integrity — Part 1: Test method for fire with shock at a temperature of at least 830 °C for cables of rated voltage up to and including 0.6/1.0 kV and with an overall diameter exceeding 20 mm () 1.

IEC 60331'2:2018, Tests for electric cables under fire conditions — Circuit integrity — Part 2: Test method for fire with shock at a temperature of at least 830 °C for cables of rated voltage up to and including 0.6/1.0 kV and with an overall diameter not exceeding 20 mm () 2.

IEC 60584-1. Thermocouples — Part 1: EMF specifications and tolerances () 1.

3

ISO IEC

* IEC: <http://www.electropedia.org/>;
 * ISO: <http://www.iso.org/obp>.

3.1 (circuit integrity):

3.2 (draught-free environment):

4

20 1

3 IEC 61034-1.

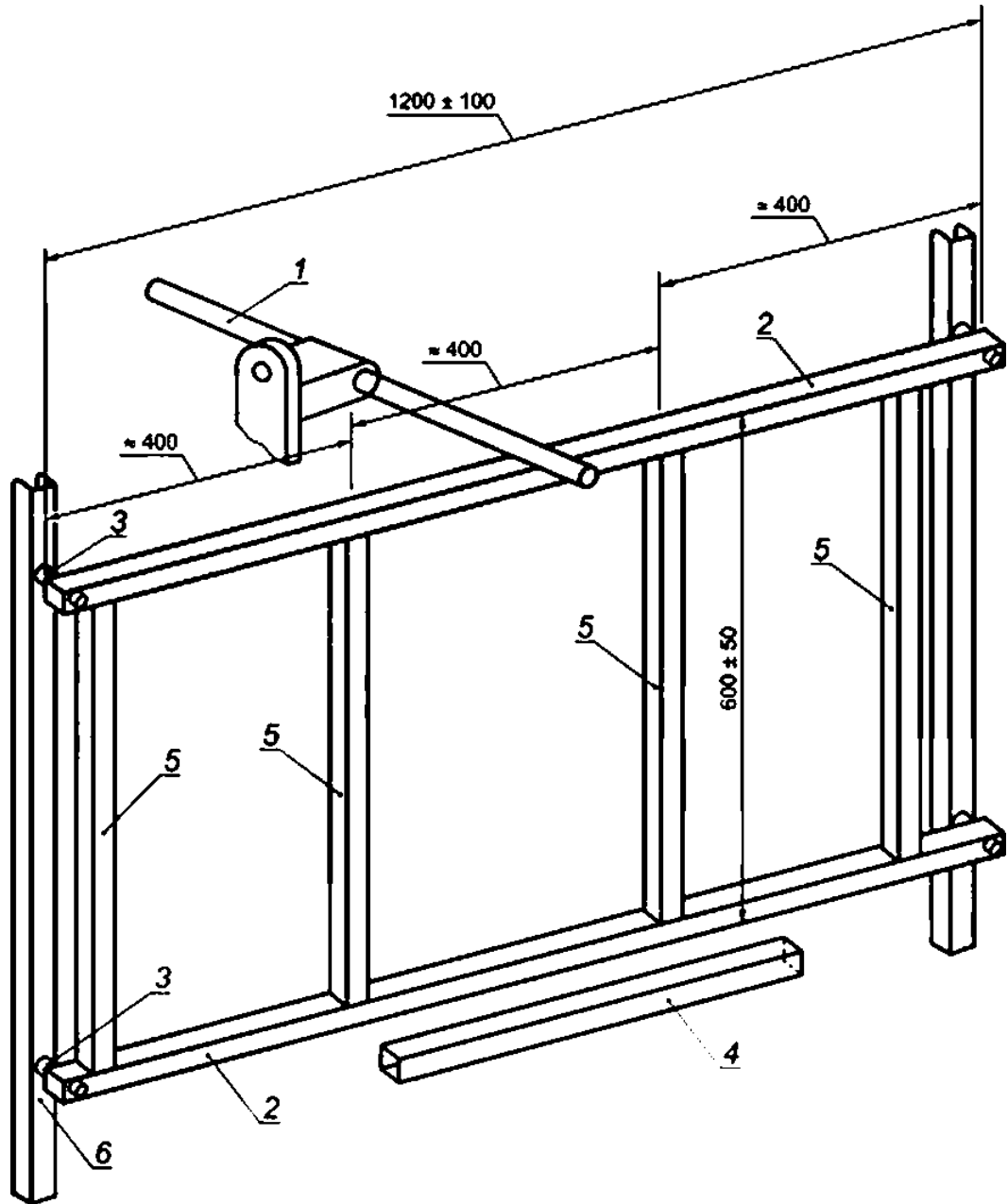
10 * 40 °C

5

5.1

) ; 5.2,

- b) 5.3.
 - c) 5.4;
 - d) 5.5;
 - e) -
 - 0 5.7;
 -) 5.8.
- 1—4.

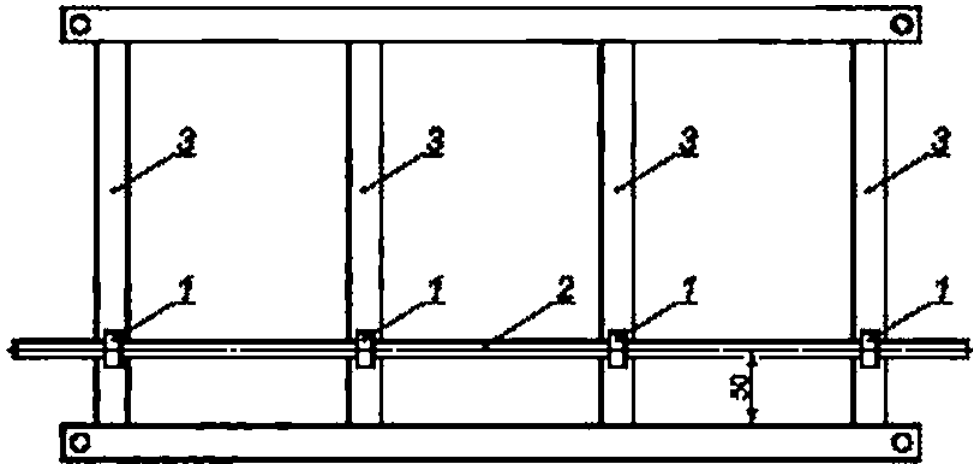


- 1—
- 2—
- 3—
- 4—
- 5—

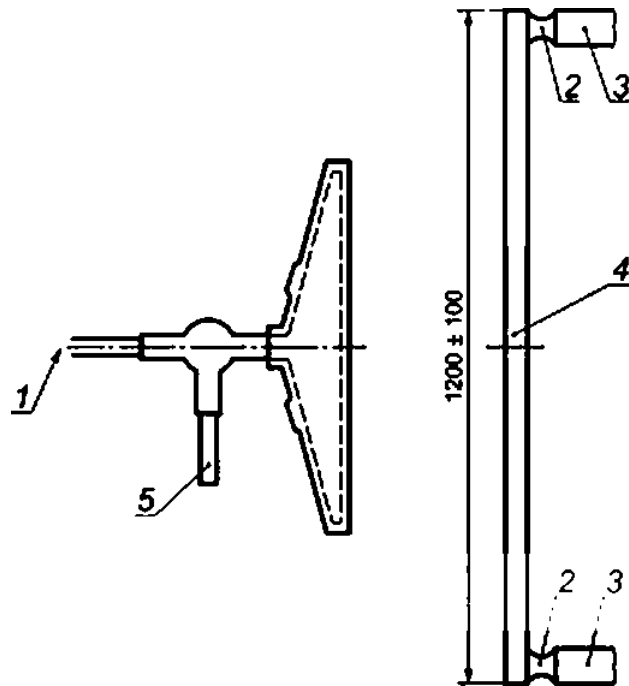
IEC 60331'3—2021

нрм»00Ки0,-урiaөiiб»

()

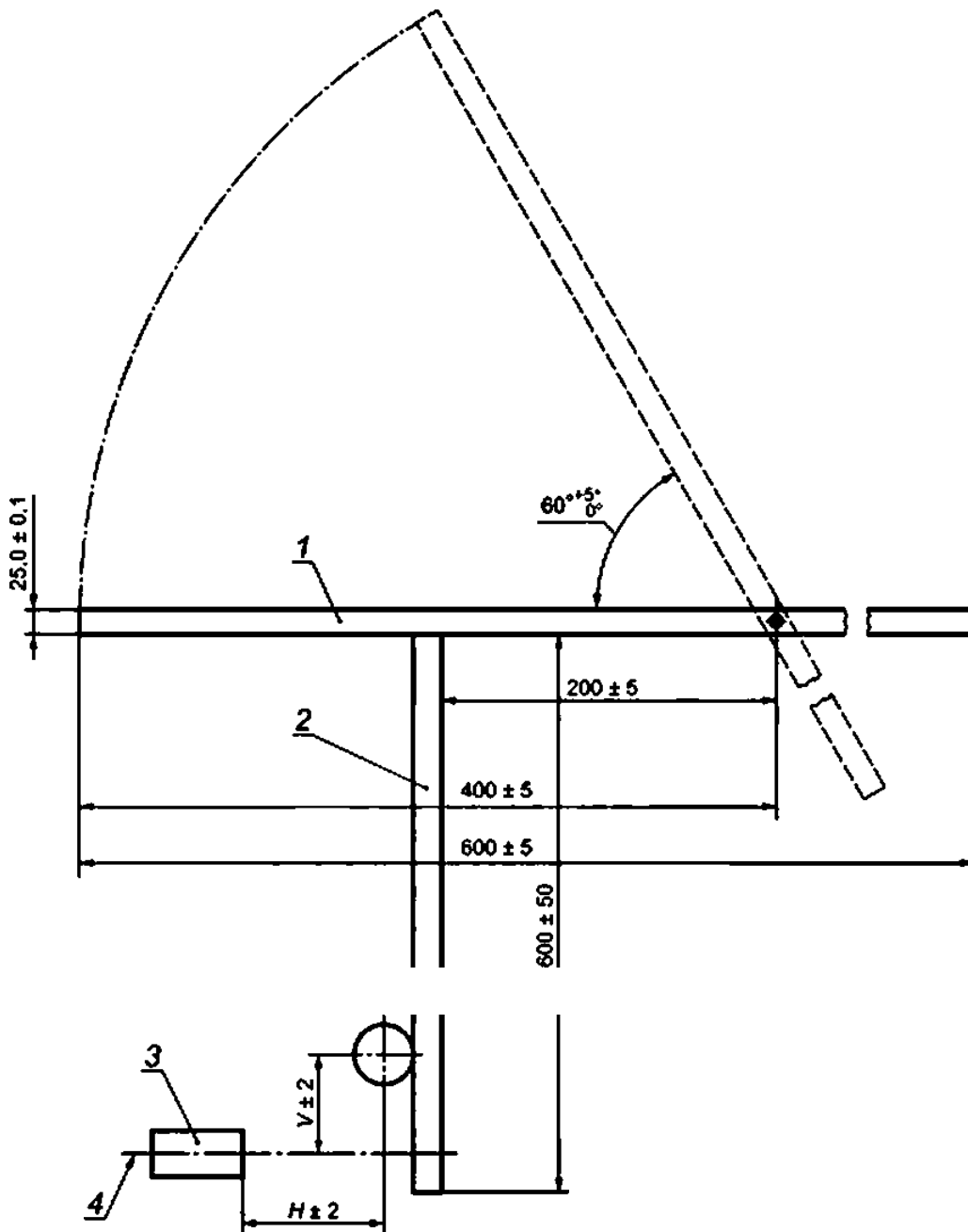


f— ,2— .3—
2—



— .2— .3—
; 4— 5—
3— ()

Размеры в миллиметрах



f — ; 2 — ; 3 — ; 4 — ; V —

4 — ()

5.2

5.2.1

(1300 ± 50)

1.

1

по IEC 60614-2-1:1982.

IEC 60331*3—2021

2
304 316

1 —

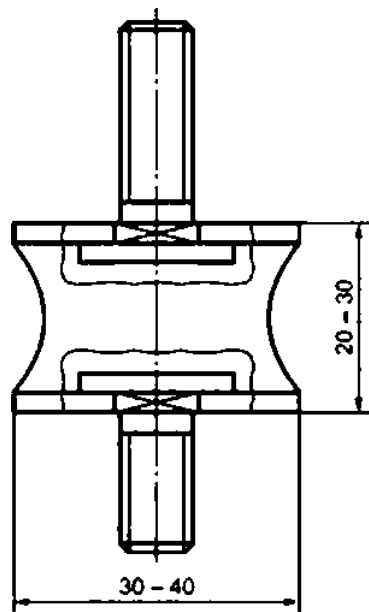
20	(1.6 ± 0.15)
40	

5.2.2

6.2.

5.3

(1200 ± 100) (600 ± 50) (400 ± 20) 1. -
 - (1611) -
 45 6 -
 2. -
 200 -
 50 60 (), -
 1 3. -
 5. -

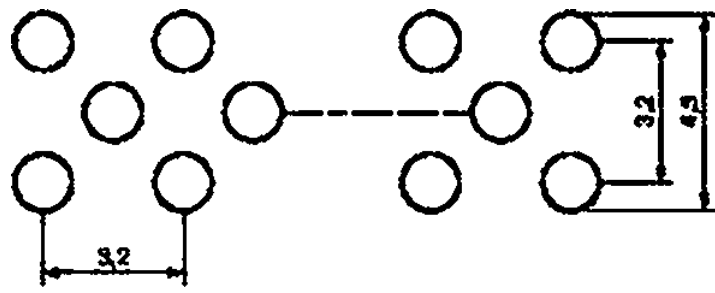


5 —

5.4

5.4.1

500 ()
 - 10
 1,32
 3.2 6.

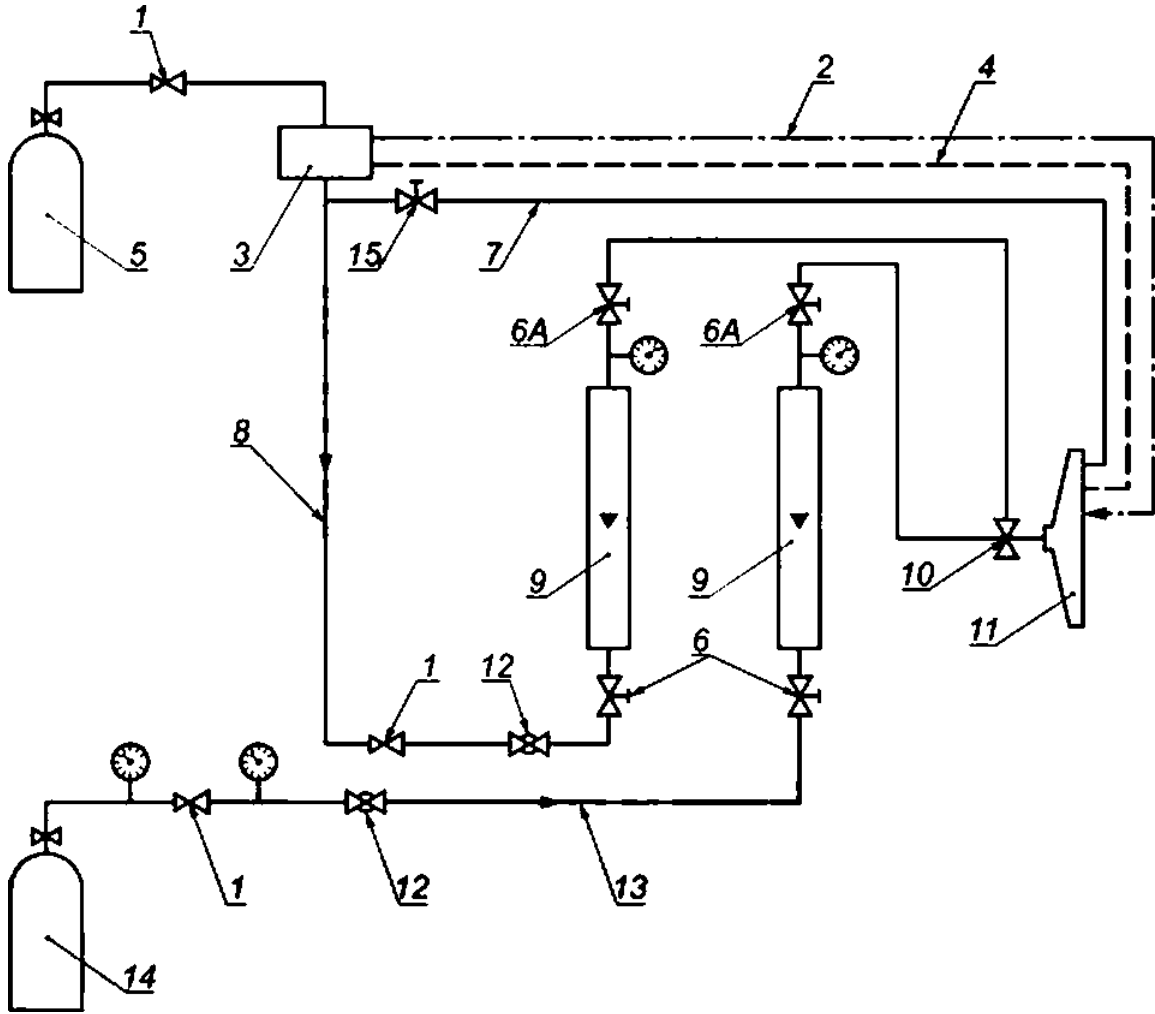


1 ()
 1.32 3.2
 - 500
 6-

5.4.2

0"
 - (320 ± 13) /
 (1 20*) (10 ± 0.4) /
 ;
 - (3270 ± 163) /
 (1 20') (160 ± 8) /
 7.

IEC 60331-3—2021



J — ; 2 — ; 3 — ; 4 —
 6 — ; S — ; 7 — ;
 ; 9 — ; 10 — ; 11 — ; 12 — ; 13 —
 ; 14 — ; 15 — ;
 7 —

5.4.3

5.5

(25,0 ± 0.1)

(600 ± 5)

(200 ± 5)
 (400 ± 5)

(^{Λ*})
 1 4.

5.6

200
 500

(± 2)
{V± 2}

4.

V.

5.7

0.6 /1,0

()

« »

(,).

1

()

2 0.25 .

5.8

7.

A—D . 2 no IEC 60269-3.

IEC 60269-3.

6

(

0,6 /1,0

)

6.1

15.3

— 5.1

1700 .
100 .

6.2

()
()

2

3 —

2—

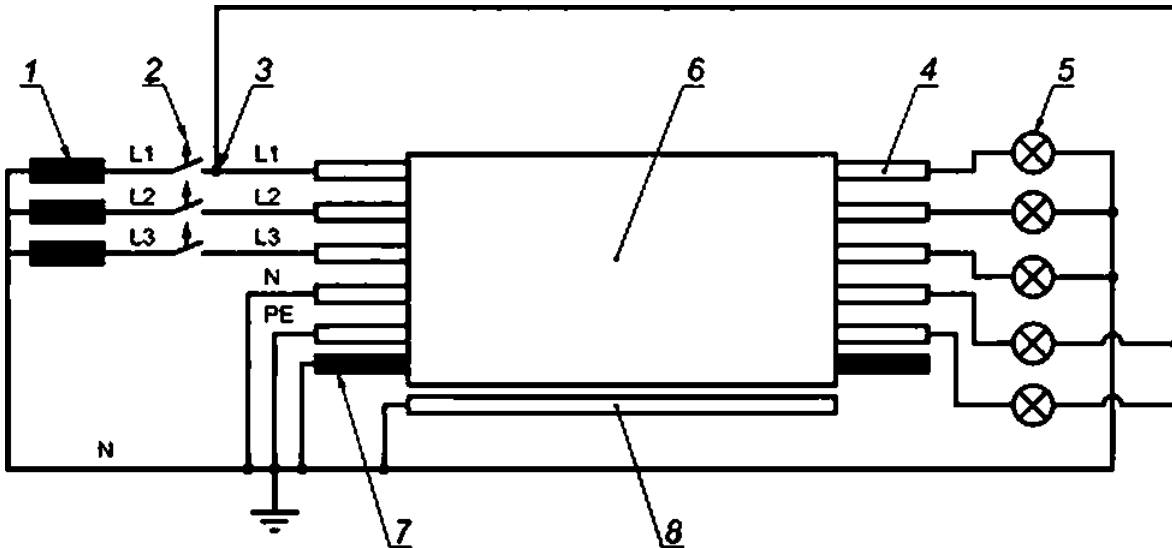
11.0 .	20
. 11.0 23.0 .	40

(5.7);

L1. L2 L3

(. 8).

5.7



>— . 2— (2); 3— L1. L2 L3; 4— ;
 5— ; L1. L2. L3— ; 6— (L2. L3—); 7— (. N—); —
 8—

7.3

(.).

5 ± 10 . 5 110

20

7.4

(100), . .

8.1.

IEC 60331*3—2021

8

(
0,6 /1,0)

8.1

: 30.60. 90' 120 .

8.2

7. :

- ; , . .
- ; , . .

9

- ;
- ;

10

(
0,6 /1,0)

- a) ;
- b) ;
- c) ;
- d) ;
- e) ;
- f) ;
- g) (. .)
- h)); (. .);
- i) (. .)
- j) (. .) 8
- k) ;
- l) ;

()

.1

1.5

IEC 60584-1.

(20 ± 1)

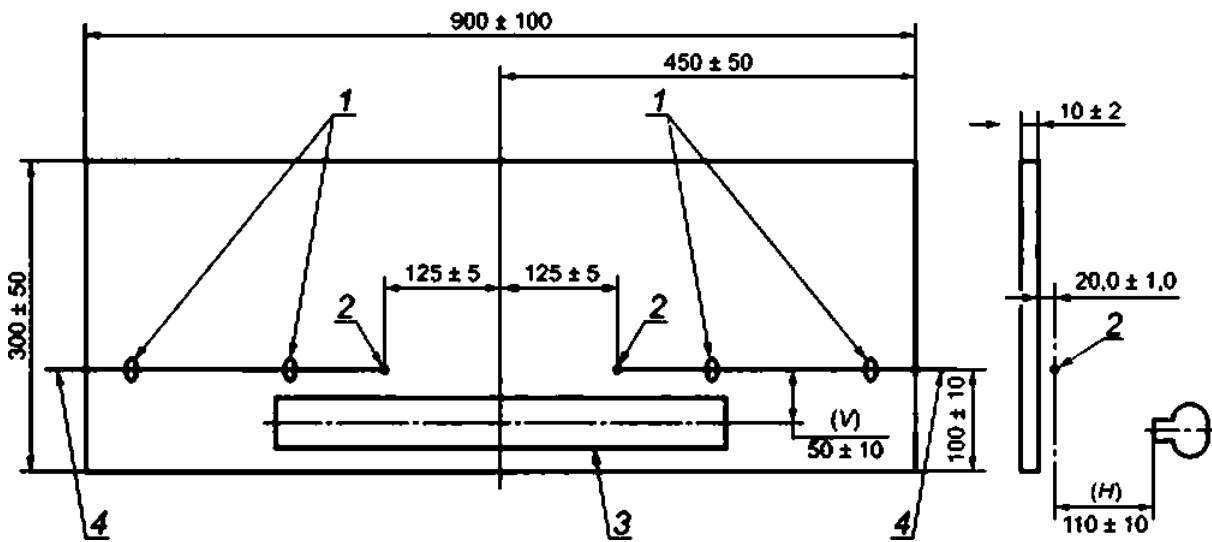
(100 ± 10)

(900 ± 100)

(300 ± 50)

(10 ± 2)

Размеры в миллиметрах



f— : 2— » 3— : 4— . V— 1,5 : —

.1—

.2

100—120

40—60

V.

.1.

5.4.2.

10

a)

(40)

10

b)

30

10

40 *

5.4.2.

IEC 60331*3—2021

.4

{ , .2) , V -

.5

V.

()

()')

.1

AGF:

(11-55).

500-

- (1857),
- (14-18).

:
AGF Burner, Inc. www.agfburner.com
1955 Swarthmore Ave Lakewood. NJ 08703-8060

()

IEC 60331*3—2021

()

.1

IEC 60269-3	MOD	31196.3—2012 (IEC 60269-3:1987. 1 60269- :1978) « 3. »	- - -
IEC 60331-1: 2018	IDT	IEC 60331-1—2021 « 20 830 * »	- 1. 0.6/1.0 -
IEC 60331-2: 2018	IDT	IEC 60331-2—2021 « 20 830 ' »	- 2. 0.6/1.0 - -
IEC 60584-1	—		-
<p>* — : • — - MOD —</p>			

IEC 61034-1	Measurement of smoke density of cables burning under defined conditions — Part 1: Test apparatus (.)	1.
IEC 60614-2-1:1982”	Specification for conduits for electrical installations — Part 2: Particular specification for conduits — Section one — Metal conduits (.)	2. 1.

IEC 60331*3—2021

621.315.2.001.4:006.354

29.060.20
13.220.40

, : , -
, ,

te.0B.2021

23.08.202t.

60*84%.

. . . 2.78. - . . . 2.45.

117418

- , . 3t. . 2.

www.gosinfo.ru inio@gostnfo.ru