

()
INTERSTATE COUNCIL FOR STANDARDIZATION, METROLOGY AND CERTIFICATION
(ISC)

IEC 60335-2-68- 2015

2-68

(IEC 60335-2-68:2012+Amd. 1:2016, IDT)

2022

IEC 60335-2-68—2015

1.0 «
 1.2 «
 »
 1 - « -
 » (5) -
 2
 3 (-
 27 2015 . 75-)

(3166) 004—97	(3166) 004—97	
	BY KZ KG MD RU TJ UZ	

4 17
 2022 . 317- IEC 60335-2-68—2015 -
 1 2023 .

5 IEC 60335-2-68:2012 «
 2-68.
 » («Household and similar electrical
 appliances — Safety — Part 2-68: Particular requirements for spray extraction machines, for commercial use»,
 IDT), Arnd.1:2016.

61J « -
 » IEC/TC 61 « -
 (IEC). -

6

IEC 60335-2-68—2015

() -

, , -

, . -

, « - »

© IEC, 2012

© « », 2022



IEC 60335-2-68—2015

1	1
2	2
3	2
4	4
5	4
6	4
7	4
8	7
9	7
10	7
11	7
12	7
13	7
14	7
15	7
16	9
17	9
18	9
19	9
20	10
21	10
22	12
23	13
24	13
25	14
26	15
27	15
28	15
29	15
30	15
31	15
32	15
	19
	() , ,	20
	S () ,	21
	()	22
	()	25
	()	26
	27

IEC 60335-2-68—2015

IEC 60335-2-68:2012 «
2-68.
» Amd.1:2016.
60335-1.
60335-1.
1, ()
60335-1 -
1 -
« », « » « » -
60335-1. -
101, -
1; -
101 (-
) 1; -
- ; -
- ; -
- ; -
, 3, -

2-68

Household and similar electrical appliances. Safety. Part 2-68.
Particular requirements for spray extraction machines, for commercial use

— 2023—01—01

1

1

(—),

101 —

480 —

250

()

85 °C.

2,5

100,

(IEC 60335-2-2);

(IEC 60335-2-67, IEC 60335-2-72);

(IEC 60335-2-69);

(IEC 60745,

IEC 60029, IEC 62841);

(,);

(IEC 60335-2-69),

() ;

IEC 60335-2-68—2015

102 —

2

1

2.1

IEC 60312-1:2011¹ \ Vacuum cleaners for household use — Part 1: Dry vacuum cleaners — Methods for measuring the performance (1.)

ISO 6344-2:1998² \ Coated abrasives — Grain size analysis — Part 2: Determination of grain size distribution of macrogrits P12 to P220 (12 220)

3

1

3.1.9

(normal operation):

(), ()

$$= 0,5 (P_f + P_j), \quad (1)$$

P_f — 3

P_j — 20

3 ()

P_f P_j

10 %

10 %

1) IEC 62885-2:2016.

2) ISO 6344-2:2021.

IEC 60312-1;

5

3

3.101 (cleaning agent pre-heater):

3.102 (cleaning agent heater):

3.103 (cleaning agent):

3.104 (spray extraction):

3.105 (maximum rated operating pressure):

3.106 (water-suction cleaning machine):

3.107 (motorized cleaning head):

3.108 (operator):

3.109 (test solution): 20 rNaCl 1 28 %-
8

3.110 : (commercial use): $C_{12}H_{25}NaSO_4$

IEC 60335-2-68—2015

4

1
 :
 ,
 -
 ,
 -
 ,
 -
 « », 1,
 « ».

5

1
 5.101
 7

6

1
 6.1
 :
 - I;
 - II;
 - III.

6.2

IPX4.

7

1
 7.1 4-
 - ;
 - ;
 - () ;
 - () .
 101 — 1
 ;
 - (. . . ,).
 102 —
 - ;
 - ;
 50 °C;
 - , ((°C)).

60 °C,

« ! ! »

4

IEC 60417-5041 (2002-10).

7.1.101

- ;
- ;
- ;
- ;
- ; ()

III,

24

IEC 60417-5935 (2012-09)].

ISO 3864-1.

7.1.102

7.6



[IEC 60417-5935 (2012-09)] —



[IEC 60417-5041 (2002-10)] —

7.12

:

« !

ISO 7000-0434

».

(2004-01) ISO 7000-0790 (2004-01).

- ;
- ;
101 —

- ;
- ;
102 —

- ;
- ;
- ;
- ;

IEC 60335-2-68—2015

- , , -

, , , , ; (,

-) ;

- :

« , ».

, ,

, ,

- ;

- ;

- ();

- ;

-

7.12.10 1 ,

- « :

- « ! »;

- « ! ».

- «

- ;

- , () ; + -

—

« ! , :

».

, , , ,

« : ! :

».

7.12.10 2

—

.2.7.

7.12.10 3

—

.2.7.

7.13 « »

7.14

[IEC 60417—5935 (2012-09)] 15 .

8

8.1

9

1

10

1.

11

11 .7

1

12

13

13.2

-

3,5 I,

1

14

1.

15

15 .1.2

1

10

15.2

:

-

-

-

-

-

-

(

(LPG)).

10°

180

IEC 60335-2-68—2015

11.

1 % NaCl 0,6 %
15 % 0,25

— 17 ;
- pH = 2,2 (1 %),

	, %
Plurafac® LF 221 ¹	15,0
(40%-)	11,5
()	3,0
	70,5
¹ Plurafac® LF 221 IEC.	BASF.

5

5

5

16.3.

29.

15.3

(93 ± 6) %.

15.101

III,

24

IEC 60068-2-75.

2

IEC 60068-2-31, 1,

4000 100 15

- 1000 ;
- 1000 ;
- 1000 ;

IEC 60529 (

- 1000

14.2.4)

1 % NaCl,

3

15 ;

5

16.3.

29.

16

1

16.3

1 % NaCl

(20 ± 5) °C.

1

5

2000

1

3000

17

1.

18

1

19

1

19.1

19.101 19.102.

19.2

101 —

».

«

»,

1,

«

19.7

IEC 60335-2-68—2015

19.9									
19.10									-
19.13									
		«20,2»		« 22,104».					
19.101			()				()	()	-
						15.2			
			()						-
3 000									-
									-
		16.3.							
								29.	
20									
20.1				1					
21									
21.1				1					
									-
21.101						(1,0 ± 0,04)			-
									-
	50,8		6,75						-
			0,535			1,3			-
			1,3						-
21.102									
	100		50						1
		350							
						(50 ± 5) /			
	1,5								16,3, -

IEC 60335-2-68—2015

21.103								
	102.		30 /					-
			300					-
	0,1 /							100,
	ISO 6344-2.		1					-
600								
		100						-
		16.3,						
21.104								
						103.		
	(300 ± 5)			(40 ± 1)°				5
								-
	1—							3°.
	(10 ± 1) /							
		90°,	2500			2500		
		10000		90°.				
	16.3.							
					10000			
						16.3.		
21.105								
								-
								-
			2000			- 10 /		
								16.3
21.106								
	25	600				103,		
			2				(15 ± 2) °C.	
							104,	
		16.3.						
21.107								

IEC 60335-2-68—2015

		10	(240)	-
- (70 ± 2) °C,			50 °C,	-
- (90 ± 2) °C,			50 °C,	-
- (50 ± 3) °C,			50 °C,	-
- (85 ± 3) °C,			50 °C,	-
			30	-
			1,5	-
19.				-
		29.		-
				-
				-
			1,5	-
			()	-
			()	-
				-
				-
20 %.				-
21.108				-
50 °C,				-
				-
				-
			8	-
				-
22				-
		1		-
22.6				-
				-
				-
22.35				-
			21.	-
		29.3,		-

IEC 60335-2-68—2015

	(70 ±2) °C	7	(168).	-
4	(10 ±2) °C.			-
	101. « »	0,3	350 « »	-
	10 .			-
22.101	16.3.			-
		30 .		-
22.102	I	II	III.	-
			:	-
			;	-
			;	-
			;	-
22.103	(),			-
22.104				-
23				
		1.		
24				
		1		
24 .1.3				
			50000.	
24 .1.7				
24 .101				-

IEC 60335-2-68—2015

1,1
200
16.

25

1
2 5.1
IPX7
IPX4, IPX5 IPX6,

2 5.7
60245 IEC 53).

101 —

60245 IEC 57).

102 —

75

11.

60227 IEC 53)

X,

60227 IEC 56)

3 ;

60227 IEC 57)

2 5.14

X

Y

20 000.

2 5.15

12

12 —

1,0	30	0,10
1,0 4,0	60	0,25
4,0	125	0,40

IPX4

26

1.

27

1.

28

1.

29

1

29.2

3,

30

1

30.2.3

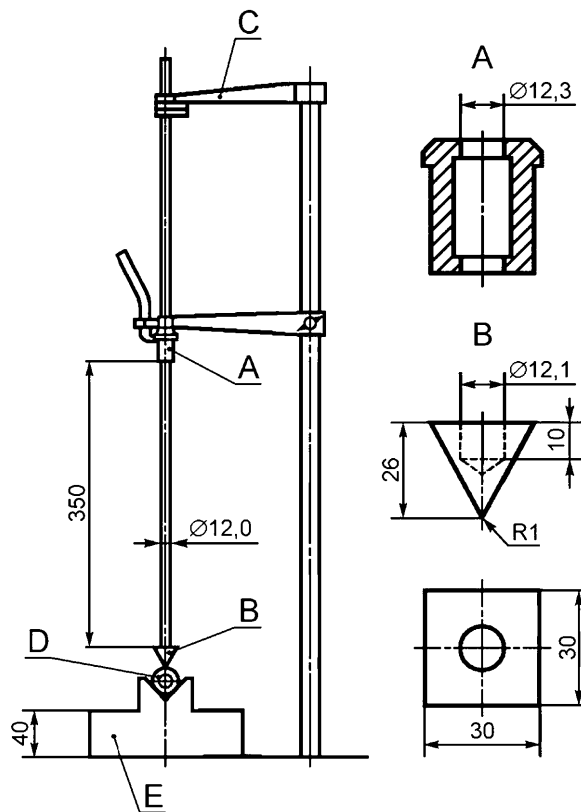
31

1.

32

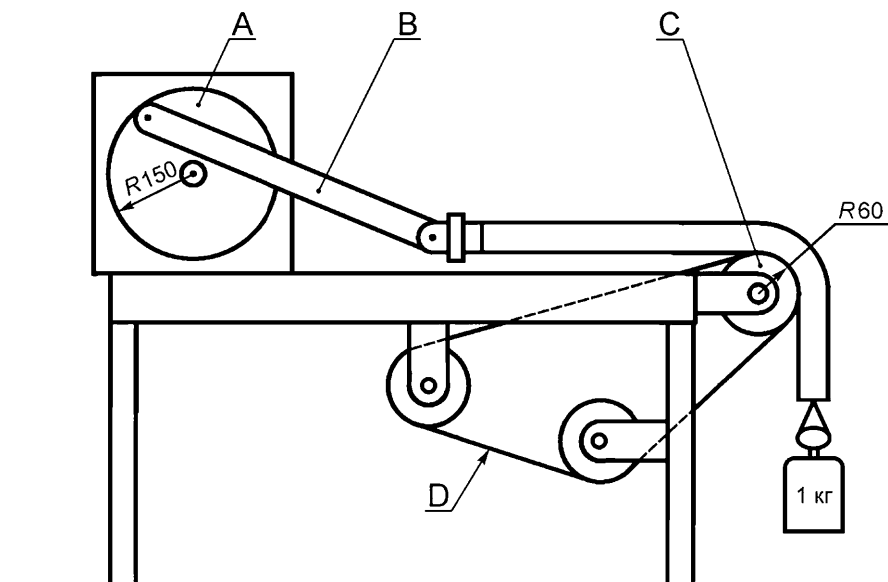
1.

Размеры в миллиметрах



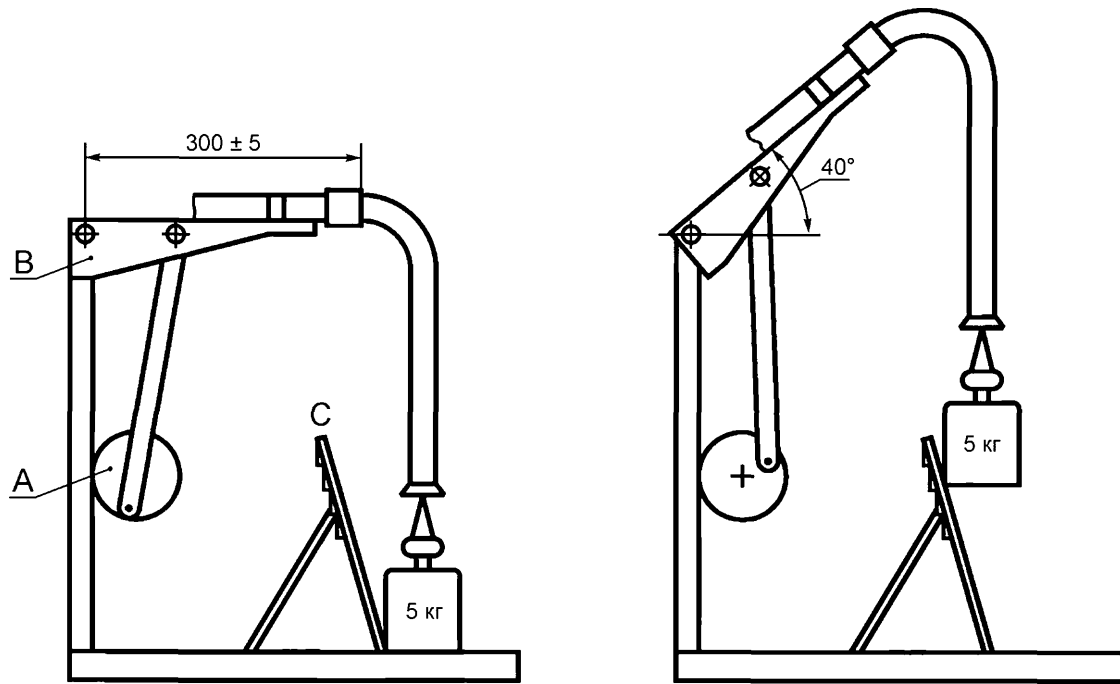
— ; — ; — ; D — ; — 101 — 10

Размеры в миллиметрах



— - - - ; - ; - , 120 ; D -

102 —



— ; — ; —
103 —

Размер в миллиметрах

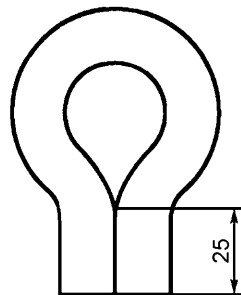
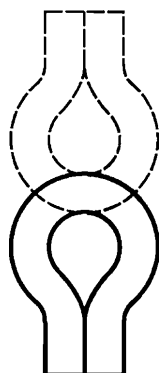


Рисунок 104 — Форма, которую придают шлангу для обработки холодом

IEC 60335-2-68—2015



105 —

1

IEC 60335-2-68—2015

()

,

1,

7

7.1

7.12

7.15

(S)

, ,

S 1,

7

7.1

19

19.S.102

: « ».

IEC 60335-2-68—2015

()

ISO/TR 11688-1.

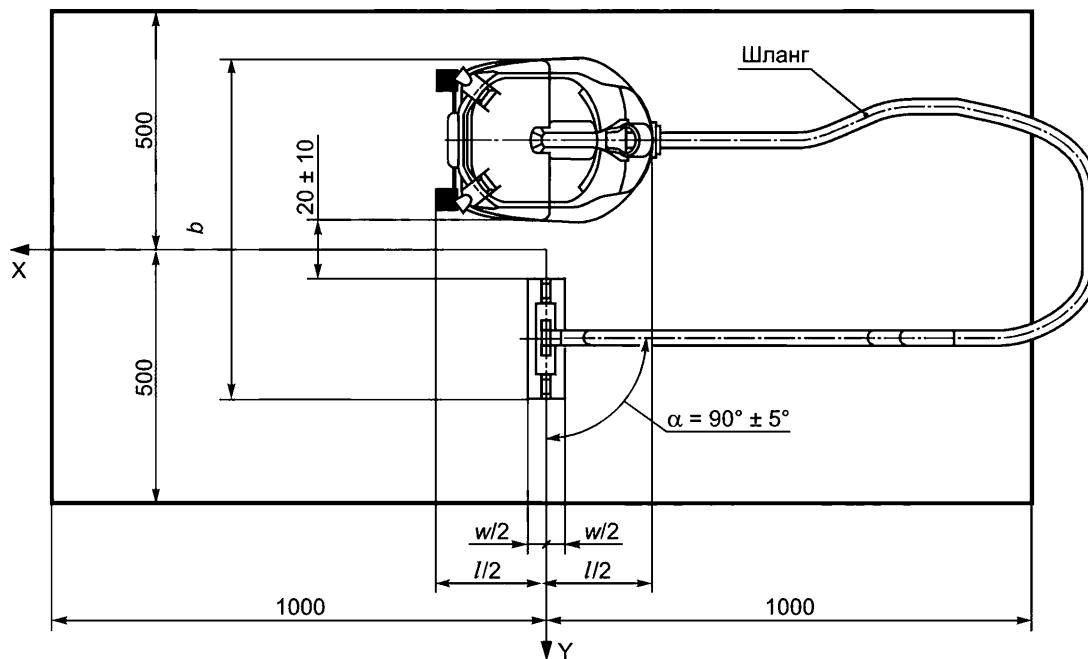
.2
 .2.1
 6.2.3 d) $d = 1$ ISO 11203
 ISO 3744, 1
 .2.2
 ISO 3744, ISO 3743-1, ISO 9614-2.
 .1 .1
 ISO 3744.
 .2.3
 3.1.9
 (22 \pm 5)²
 2
 « » (IEC 60312-1) 2 1
 1
 .1.
 () () (80 \pm 5)
),
 ()
 15
 .2.4
 ISO 3744 ISO 3743-1. ISO 11203 A- σ_{R0} 1,5

.2.5

.2.6

.2.7

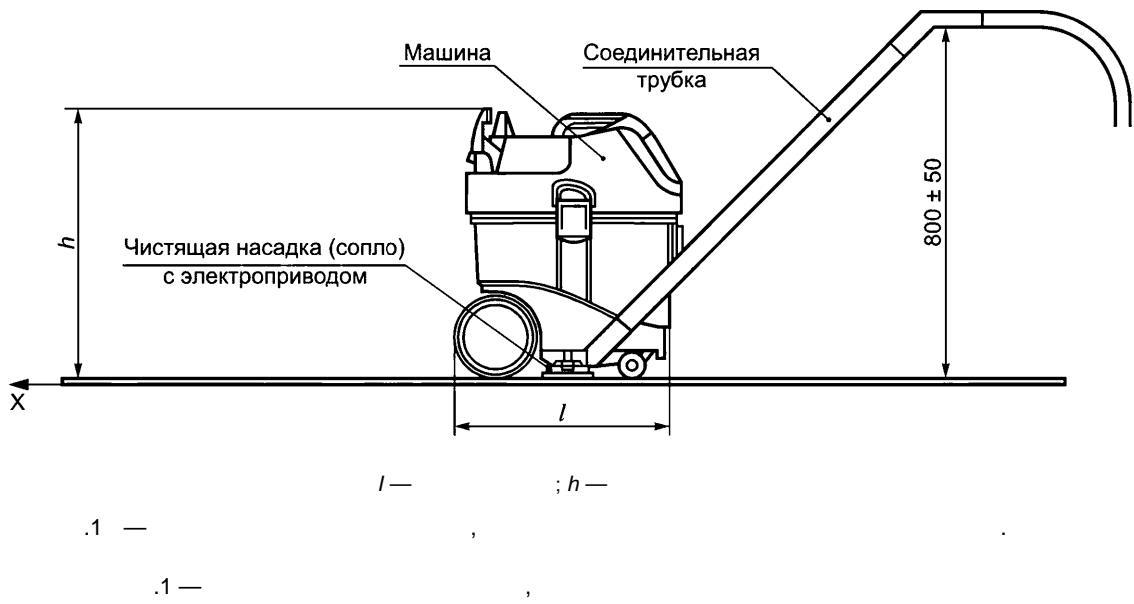
ISO 4871, 70 ().
 $L_{pA} < 70$ ().
 Z_{pA}
 ISO 4871, 80 ().
 Z_{WA}
 K_{WA}
 K_{WA} 2
 ISO 4871,



w — (); l — ; b —

.1 —

IEC 60335-2-68—2015



()

.1

.2

ISO 5349-1

2,5 / 2.

2,5 / 2,

$a_h < 2,5 / 2;$

— 2,5 / 2.

— 2,5 / 2.

IEC 60335-2-68—2015

()

.1

IEC 60312-1:2011	IDT	IEC 60312-1—2016 « 1. . »
ISO 6344-2:1998	—	*-!)
<p>* . -</p> <p>— -</p> <p>: -</p> <p>- IDT — .</p>		

¹⁾
9138:1993, 9284:1992) «
».

52381—2005 (8486-1:1996, 6344-2:1998,
-

IEC 60335-2-68—2015

1

- [1] IEC 60335-2-2:2012 Household and similar electrical appliances — Safety — Part 2-2: Particular requirements for vacuum cleaners and water suction cleaning appliances
() 2-2.
- [2] IEC 60335-2-67:2012 Household and similar electrical appliances — Safety — Part 2-67: Particular requirements for floor treatment machines, for commercial use
() 2-67.
- [3] IEC 60335-2-69:2012 Household and similar electrical appliances — Safety — Part 2-69: Particular requirements for wet and dry vacuum cleaners, including power brush, for commercial use
() 2-69.
- [4] IEC 60335-2-72:2012 Household and similar electrical appliances — Safety — Part 2-72: Particular requirements for floor treatment machines with or without traction drive, for commercial use
() 2-72.
- [5] IEC 60745 (all parts) Hand-held motor-operated electric tools
()
- [6] IEC 61029 (all parts) Safety of transportable motor-operated electric tools
()
- IEC 62841 (all parts) Electric motor-operated hand-held, transportable tools and lawn and garden machinery — Safety
()
- [7] ISO 3743-1:2010 Acoustics — Determination of sound power levels and sound energy levels of noise sources using sound pressure — Engineering methods for small movable sources in reverberant fields — Part 1: Comparison method for a hard-walled test room
() 1.
- [8] ISO 3744:2010 Acoustics — Determination of sound power levels and sound energy levels of noise sources using sound pressure — Engineering methods for an essentially free field over a reflecting plane
()
- [9] ISO 3864-1:2011 Graphical symbols — Safety colours and safety signs — Part 1: Design principles for safety signs and safety markings
() 1.

IEC 60335-2-68—2015

- [10] ISO 4871:1996 Acoustics — Declaration and verification of noise emission values of machinery and equipment
()
- [11] ISO 5349-1:2001 Mechanical vibration — Measurement and evaluation of human exposure to handtransmitted vibration — Part 1: General requirements
(, . 1.) -
- [12] ISO 9614-2:1996 Acoustics — Determination of sound power levels of noise sources using sound intensity — Part 2: Measurement by scanning
(. 2.) -
- [13] ISO 11203:1995 Acoustics — Noise emitted by machinery and equipment — Determination of emission sound pressure levels at a work station and at other specified positions from the sound power level
(, .) -
- [14] ISO/TR 11688-1:1995 Acoustics — Recommended practice for the design of low-noise machinery and equipment — Part 1: Planning
(. 1.) -

IEC 60335-2-68—2015

66.061.34.013.8(083.74)(476)

97.020

IDT

: , , , -

19.05.2022. 30.05.2022. 60 841/г.
4,18. 3,55.

117418
www.gostinfo.ru info@gostinfo.ru