

ASSUN

DRIVING THE FUTURE



TOTAL SOLUTION for Precision
DC Drive System 2020

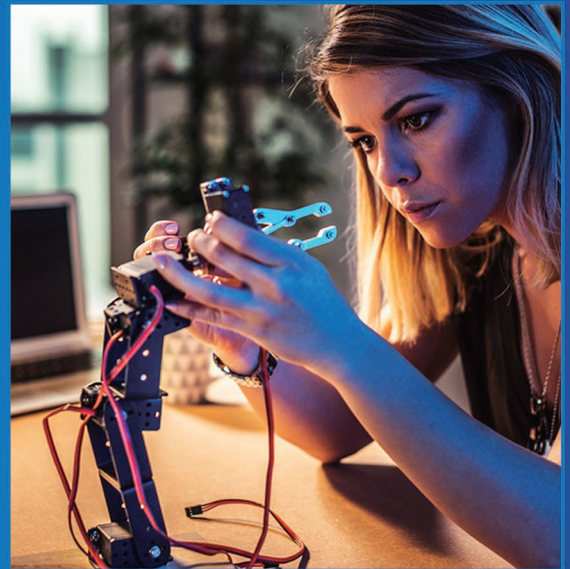
ASSUN

DRIVING THE FUTURE



Assun Motor is an innovative manufacturer for Advanced DC Drive Systems. Products including DC Coreless Brushed Motor, DC Slot-less Brushless Motor, Planetary Gearbox, Servo Motor and Controller, Encoder, and Brake. With state-of-the-art technologies and dedicated engineering spirits, the high precision, reliability and efficiency DC drive systems by ASSUN are perfect for performance critical applications.

With the high automation manufacturing base in Shenzhen, sales offices in China, Singapore and USA, and exclusive agents in Europe, Middle-East and Australia, Assun Motor is able to provide the best sales and services to customers worldwide.

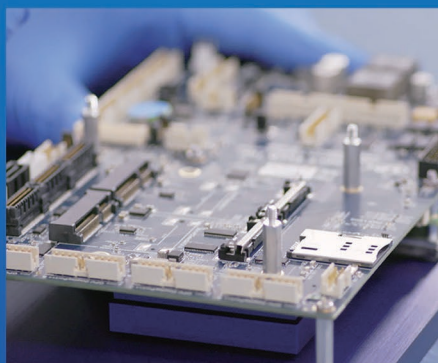


VISION

To provide cutting-edge DC motor drive solutions and redefine possibilities for applications across industries.

MISSION

Drive the future with precision in motion.



CONTENTS

Business Introduction	04
Technical Specification	05
DC Brushless Motor	06-49
DC Brushed Motor	50-69
Servo Motor	70-79
Gear Box	80-99
Controller	100-113
Encoder	114-133
Brake	134-143



BUSINESS INTRODUCTION

Assun Motor provide total solutions to Precision DC Drive. Started from the basic driving components—motor and gearbox, Assun has developed more enriched product line and now offers systematic DC drive products for motion control industry.

Motors by Assun include DC Coreless Brushed Motor, DC Slot-less Brushless Motor, and electronics-integrated Servo Motor. Special Coreless and Slot-less winding structure enabled the motors to perform much better in every technical aspect. Planetary Gearboxes are made with most advanced production technologies to ensure minor backlash and highest efficiency. Incremental and Absolute Encoders are made to provide reliable and precise feedback information. Servo Controllers by Assun provide bus control and analogue control to choose from, and are built to provide the most precise and reliable motion control to drive systems. Brakes has been developed to complete the whole drive system as the last brick.

Assun Motor has built the online shop inside the official website for customers to shop the standard products and combinations easily. Customers can browse every product with full detail on the website and shop their sample products or combinations for testing or development purposes. Online sales have guaranteed lead time of 12 working days. Shipping time usually within 5 working days for worldwide.

Except for the online sales which was set up mainly for standard products and samples, Assun provides further sales services with global network for vast quantity orders and customized requirements. Flexibility and fast response are the core competence of Assun. We can carry out deep customization based on customers' needs and offer the most suitable solution for specific applications. In close cooperation, we can even develop new products for the customer to satisfy their needs and enrich our product line at the same time. The highly automated and well managed factory supports our customization service perfectly with the shortest lead time possible.



TECHNICAL TERMINOLOGY

Nominal Voltage

The DC power supply voltage value based on the motor design.

No-Load Current

When there is no load applied to the motor shaft, the current value under Nominal Voltage

No-Load Speed

When there is no load applied to the motor shaft, the RPM speed value under Nominal Voltage.

Standard Testing Environment

When motor are installed horizontally to a vertical wood board by front cover screw, and environment temperature at 25°, relevant humidity 30%-60%.

Thermal Resistance

The added-up value of thermal resistances of between winding and housing, and between housing and Standard Testing Environment.

Maximum Winding Temperature

The maximum temperature limit for motor winding to ensure normal motor performance and lifetime.

Rated Torque

Maximum continuous torque applicable to the motor shaft under Nominal Voltage considering the limit of Maximum Winding Temperature.

Rated Speed

The rpm speed for the motor under Nominal Voltage and load of Rated Torque.

Rated Current

The current through motor winding when operating under Nominal Voltage and load of Rated Torque.

Rated Power

The power output under rated torque and rated speed.

Starting Current

The current through motor winding when powered by Nominal Voltage and motor speed is 0 rpm.

Stall Torque

The motor torque output under Starting Current and motor speed is 0 rpm.

DC BRUSHLESS MOTOR

Assun DC Brushless Motors are manufactured with slot-less structure to achieve highest efficiency and top-notch dynamic performance. With 4 sub-categories and different sizes, Assun BLDC product line can offer DC drive solutions to various industries with precision drive needs.

Power rating from 3 watts to 500 watts, diameter from 16mm to 65mm, temperature level include 85°C, 125°C and 155°C, Assun BLDC motors have been made to fit for all kinds of applications. Speed driver can be integrated inside motor for more application convenience.



AM-BL1632AN	AM-B3260AN	AM-BL2051AE	AM-BL2453BF	AM-BL45100BF
AM-BL1640AN	AM-BL3270AN	AM-BL2453AE	AM-BL2845BF	AM-BD2453AN
AM-BL2032AN	AM-BL3660AN	AM-BL2845AE	AM-BL3260BF	AM-BD2845AN
AM-BL2040AN	AM-BL45100AN	AM-BL3260AE	AM-BL3270BF	AM-BD3260AN
AM-BL2051AN	AM-BL65110DN	AM-BL3270AE	AM-BL3675BF	AM-BD3270AN
AM-BL2453AN	AM-BL1640AE	AM-BL3660AE	AM-BL3690BF	AM-BD3660AN
AM-BL2845AN	AM-BL2032AE	AM-BL45100AE	AM-BL4060BF	AM-BD4500AN
	AM-BL2040AE			

Company Name Abbreviation

AM - BL 1640 AE - 2420

Motor Type

BL - Brushless Motor
CL - Brushed Motor

Motor Dimension
16 - Diameter (mm)
40 - Length (mm)

Number of Pole Pairs

A - 1 Pole Pair
B - 2 Pole Pairs
C - 3 Pole Pairs
D - 4 Pole Pairs

Temp. Level

N - 85°C
E - 125°C
F - 155°C
H - 180°C

Nominal Voltage &
No Load Speed

24 - Nominal Voltage (V)
20 - No Load Speed (x1000 RPM)

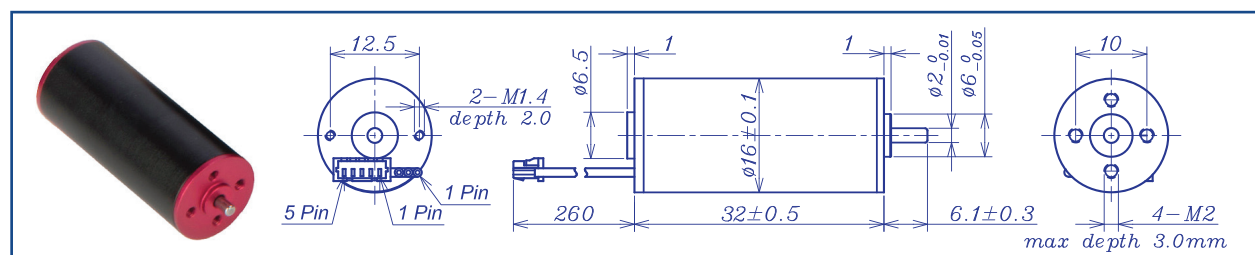
DC BRUSHLESS MOTOR
STANDARD SERIES

Assun standard series BLDC motors were designed with slot-less winding structure for highest efficiency and smooth operation. High quality hardware and sintered NdFeB magnets were adopted to ensure the performance, reliability and lifetime.

Standard series BLDC products are equipped with hall sensor, which customers may choose to remove in customized service. These motors are widely used and are suitable for most applications with normal operation conditions.



AM-BL1632AN Series



		Brushless Motor				Ball Bearings		
Motor Model			1220	1214	1827	1817	2420	2416
Nominal voltage		V	12	12	18	18	24	24
No load speed ±12%		rpm	19822	13840	26874	17253	19613	16063
No load current Max±50%		mA	85	60	77	49	42	35
Recommend limit for continuous operating	Max cont. torque	mN.m	3.0	3.2	2.2	3.1	2.8	3.1
	Rated Speed	rpm	16809	10528	24516	14233	16854	13135
	Rated Current	mA	600	450	420	360	280	250
	Rated Power	W	5.26	3.56	5.63	4.61	4.91	4.22
Starting current		mA	3947	1881	4787	2050	1990	1371
Stall Torque		Nm.	23	16	31	20	23	20
Maximum power output		W	11.8	5.6	21.5	9.2	11.9	8.2
Maximum Efficiency		%	73	67	76	71	73	71
Terminal resistance ±12%		Ω	3.04	6.38	3.76	8.78	12.06	17.5
Inductance (1KHz)		mH	0	0	0	0	0	0
Mechanical time constant		ms	2.73	2.79	2.76	2.65	2.65	2.58
Moment of inertia		gcm ²	0.3	0.3	0.3	0.3	0.3	0.3
Torque constant		mN.m/A	5.78	8.28	6.40	9.96	11.69	14.27
Speed constant		rpm/V	1652	1153	1493	958	843.5	820.9
Speed/torque gradient		rpm/mN.m	868.6	888.7	877.7	844.7	254.0	232.0
Weight		g	32.6	32.6	32.6	32.6	32.6	32.6

ADDITIONAL INFORMATION			
Motor thermal resistance:	22.5 K/W	Motor thermal time constant:	407 S
Axial (dynamic):	1.5 N	Radial (5mm from mounting face):	6.0 N
Press-fit force (static):	40 N	Max allowable screw depth into flange:	3.0 mm
Maximum radial play (5mm from mounting face):	≤0.02 mm	Axial play:	0 (<2.0N)
Maximum winding temperature:	85°C	Ambient temperature range:	-30 to 65°C
Standard rear shaft diameter:	2 mm	Standard rear shaft length "L":	0/3.7/5.5 mm

Connection (AWG 26#)		Total Length: L _T =L ₁ +L ₂ +L ₃				
Cable 1:Yellow	Winding A	L1:16GP	L1:20GP	L2:BL16	L3:EN16S	L3:EN16T
Cable 2:Red	Winding B	15.9	18.8	32.0	10.7	12.0
Cable 3: Blue	Winding C	29.6	23.6			
Plug definition (AWG 28#) Molex:51021-0500		23.3	28.4			
Plug 1: Red	Hall 3~16V					
Plug 2: Black	Hall GND					
Plug 3 :Yellow	Hall A	Remarks: Client can choose gearbox and encoder to match with this motor. Some combinations are listed here for reference.				
Plug 4: Red	Hall B					
Plug 5 :Blue	Hall C					

AM-BL1632AN Combination Scheme

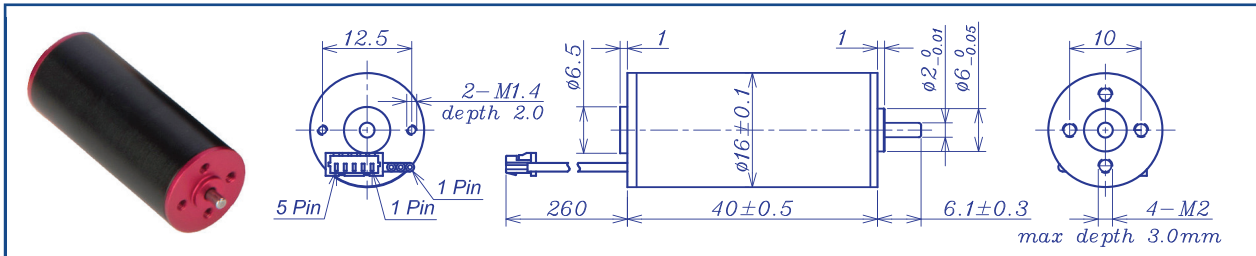
Recommended Gearbox:
Planetary Gearbox:
AM-16GP
AM-20GP

Recommended Encoder:
Encoder S: AM-EN1611S***
2~3 Channels
Encoder T: AM-EN1612T***
2~3 Channels

Motor data tested at 25°C. Motor operation exceeding continuous limits will reduce life or result in damage. At elevated ambient temperatures, load current must be reduced.

Download datasheet: <https://assunmotor.com/documents-download>

AM-BL1640AN Series

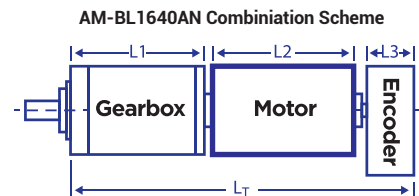


		Brushless Motor				Ball Bearings			
Motor Model		1231	1219	1216	1834	1819	1815	2417	2412
Nominal voltage	V	12	12	12	18	18	18	24	24
No load speed ±12%	rpm	30890	19320	15750	34300	18900	15210	17380	11690
No load current Max150%	mA	150	90	70	120	65	55	45	38
Recommend limit for continuous operating	Max cont. torque	mN.m	6.1	7.1	6.7	4.9	6.6	7.0	6.9
	Rated Speed	rpm	27977	15845	12465	31908	15903	12085	14353
	Rated Current	mA	1800	1300	1000	1100	800	650	580
	Rated Power	W	17.8	11.8	8.7	16.3	11.0	8.4	10.5
Starting current	mA	17647	6818	4528	14173	4700	2951	3117	1277
Stall torque	Nm.	64	39	32	70	42	32	40	24
Maximum power output	W	52.0	19.9	13.2	62.7	20.6	12.8	18.2	7.2
Maximum Efficiency	%	82	78	77	82	78	75	77	68
Terminal resistance ±12%	Ω	0.68	1.76	2.65	1.27	3.83	6.1	7.7	18.8
Inductance (1KH ₂)	mH	0.036	0.11	0.17	0.075	0.27	0.42	0.58	1.28
Mechanical time constant	ms	2.1	2.1	2.1	2.1	2.0	2.0	1.9	2.1
Moment of inertia	gcm ²	0.41	0.41	0.41	0.41	0.41	0.41	0.41	0.41
Torque constant	mN.m/A	3.7	5.9	7.2	5.0	9.0	11.1	13.0	19.0
Speed constant	rpm/V	2596	1632	1333	1922	1065	861	735	505
Speed/torque gradient	rpm/mN.m	480.0	490.6	493.2	491.2	454.7	473.6	435.5	496.2
Weight	g	42.2	42.1	41.8	42.1	42.2	41.8	41.9	41.8

ADDITIONAL INFORMATION

Motor thermal resistance:	17.9K/W	Motor thermal time constant:	439S
Axial (dynamic):	1.5 N	Radial (5mm from mounting face):	6.0 N
Press-fit force (static):	40 N	Max allowable screw depth into flange:	3.0 mm
Maximum radial play (5mm from mounting face):	≤0.02 mm	Axial play:	0 (<2.0N)
Maximum winding temperature:	85°C	Ambient temperature range:	-30 to 65°C
Standard rear shaft diameter:	2 mm	Standard rear shaft length "L":	0/3.7/5.5 mm

Connection (AWG 26#)	Total Length: L _T =L ₁ +L ₂ +L ₃				
Cable 1:Yellow Winding A	L1:16GP	L1:20GP	L2:BL16	L3:EN16S	L3:EN16T
Cable 2:Red Winding B	15.9	18.8	40.0	10.7	12.0
Cable 3:Blue Winding C	23.3	23.6			
Plug definition (AWG 28#) Molex:51021-0500	27.0	28.4			
Plug 1: Red Hall 3~16V					
Plug 2: Black Hall GND					
Plug 3 :Yellow Hall A					
Plug 4: Red Hall B					
Plug 5 :Blue Hall C					



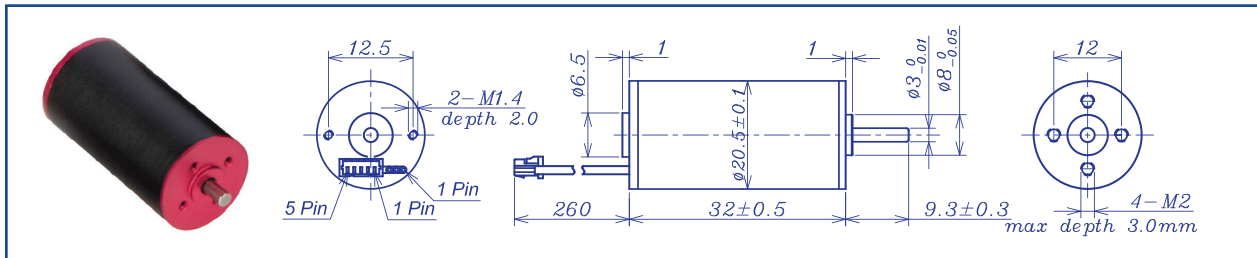
Recommended Gearbox:
Planetary Gearbox:
AM-16GP
AM-20GP

Recommended Encoder:
Encoder S: AM-EN1611S***
2~3 Channels
Encoder T: AM-EN1612T***
2~3 Channels

Motor data tested at 25°C. Motor operation exceeding continuous limits will reduce life or result in damage.
At elevated ambient temperatures, load current must be reduced.

Download datasheet: <https://assunmotor.com/documents-download>

AM-BL2032AN Series

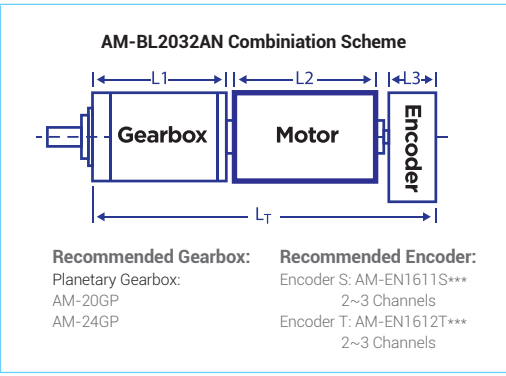


		Brushless Motor		Ball Bearings				
Motor Model			1225	1220	1822	1819	2419	2415
Nominal voltage		V	12	12	18	18	24	24
No load speed ±12%		rpm	24525	19908	22265	18634	19339	14850
No load current Max150%		mA	200	150	120	100	90	70
Recommend limit for continuous operating	Max cont. torque	mN.m	2.3	4.2	2.9	4.5	3.6	4.6
	Rated Speed	rpm	23581	18096	21080	16679	17806	12731
	Rated Current	mA	700	900	500	600	400	380
	Rated Power	W	5.7	8.0	6.4	7.9	6.7	6.2
Starting current		mA	13187	8392	7258	4865	4000	2243
Stall torque		mN.m	60	47	54	43	45	32
Maximum power output		W	38.4	24.3	31.6	21.0	22.9	12.6
Maximum Efficiency		%	77	75	76	73	72	68
Terminal resistance ±12%		Ω	0.91	1.43	2.48	3.7	6.0	10.7
Inductance (1KHz)		mH	0.07	0.11	0.19	0.29	0.47	0.86
Mechanical time constant		ms	3.0	3.1	3.0	3.1	3.1	3.3
Moment of inertia		gcm ²	0.69	0.69	0.69	0.69	0.69	0.69
Torque constant		mN.m/A	4.6	5.7	7.6	9.0	11.6	15.0
Speed constant		rpm/V	2075	1689	1258	1057	824	639
Speed/torque gradient		rpm/mN.m	410.4	427.3	410.8	432.9	427.0	457.1
Weigh		g						

ADDITIONAL INFORMATION

Motor thermal resistance:	22.8K/W	Motor thermal time constant:	552S
Axial (dynamic):	2.5 N	Radial (5mm from mounting face):	16.0 N
Press-fit force (static):	50 N	Max allowable screw depth into flange:	3.0 mm
Maximum radial play (5mm from mounting face):	≤0.02 mm	Axial play:	0 (<4.0N)
Maximum winding temperature:	85°C	Ambient temperature range:	-30 to 65°C
Standard rear shaft diameter:	3 mm	Standard rear shaft length "L":	0/3.7/5.5 mm

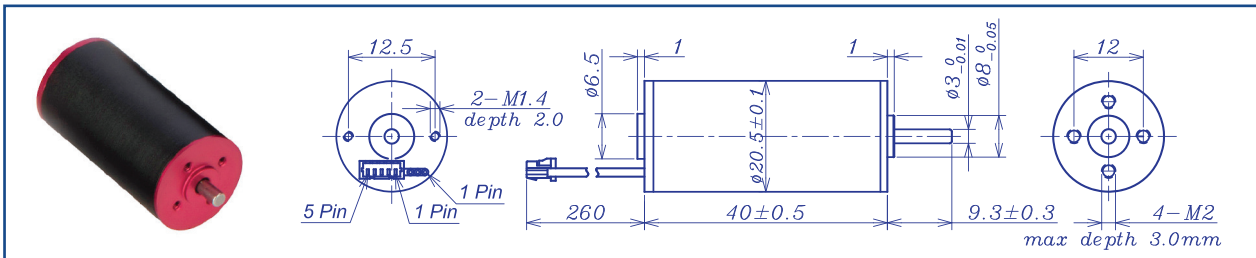
Connection (AWG 24#)	Total Length: L _T =L1+L2+L3				
Cable 1: Yellow Winding A	L1:20GP	L1:24GP	L2:BL20	L3:EN16S	L3:EN16T
Cable 2: Red Winding B	18.8	22.2	32.0	10.7	12.0
Cable 3: Blue Winding C	23.6	27.4			
Plug definition (AWG 28#) Molex:51021-0500	28.4	32.6			
Plug 1: Red Hall 3~16V					
Plug 2: Black Hall GND					
Plug 3: Yellow Hall A	Remarks: Client can choose gearbox and encoder to match with this motor. Some combinations are listed here for reference.				
Plug 4: Red Hall B					
Plug 5: Blue Hall C					



Motor data tested at 25°C. Motor operation exceeding continuous limits will reduce life or result in damage. At elevated ambient temperatures, load current must be reduced.

Download datasheet: <https://assunmotor.com/documents-download>

AM-BL2040AN Series



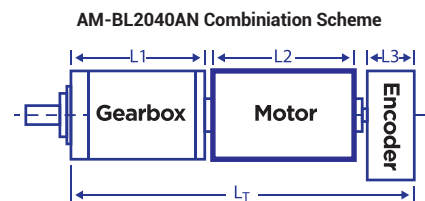
		Brushless Motor				Ball Bearings			
Motor Model		1226	1220	1216	1820	1817	2420	2417	
Nominal voltage	V	12	12	12	18	18	24	24	
No load speed ±12%	rpm	26000	20360	16260	19500	17350	20000	16600	
No load current Max 150%	mA	350	190	180	150	140	110	95	
Recommend limit for continuous operating	Max cont. torque	mN.m	5.4	7.3	8.5	7.4	6.4	7.5	
	Rated Speed	rpm	24682	18605	14445	17760	15721	18454	
	Rated Current	mA	1600	1500	1400	1000	800	700	
	Rated Power	W	14.0	14.2	12.8	13.7	10.6	12.9	
Starting current	mA	25000	15385	11111	9677	7171	7742	5530	
Stall torque	mN.m	107	84	76	83	68	86	74	
Maximum power output	W	72.9	45.0	32.3	42.2	31.0	45.1	32.0	
Maximum Efficiency	%	78	79	76	77	74	78	76	
Terminal resistance ±12%	Ω	0.48	0.78	1.08	1.86	2.51	3.1	4.34	
Inductance (1KHz)	mH	0.034	0.061	0.097	0.17	0.22	0.29	0.42	
Mechanical time constant	ms	2.9	2.9	2.5	2.8	3.0	2.7	2.7	
Moment of inertia	gcm ²	1.13	1.13	1.13	1.13	1.13	1.13	1.13	
Torque constant	mN.m/A	4.6	5.6	6.9	8.7	9.7	11.3	13.6	
Speed constant	rpm/V	2197	1718	1377	1100	983	845	704	
Speed/torque gradient	rpm/mN.m	242.7	241.1	214.5	235.8	254.0	232.0	225.1	
Weight	g	65.9	66.2	66.6	65.7	65.4	65.1	65.9	

ADDITIONAL INFORMATION

Motor thermal resistance:	15 K/W	Motor thermal time constant:	673 S
Axial (dynamic):	2.5 N	Radial (5mm from mounting face):	16.0 N
Press-fit force (static):	50 N	Max allowable screw depth into flange:	3.0 mm
Maximum radial play (5mm from mounting face):	≤0.02 mm	Axial play:	0 (<4.0N)
Maximum winding temperature:	85°C	Ambient temperature range:	-30 to 65°C
Standard rear shaft diameter:	3 mm	Standard rear shaft length "L":	0/3.7/5.5 mm

Connection (AWG 24#)	Total Length: L _T =L ₁ +L ₂ +L ₃				
Cable 1: Yellow Winding A	L1:20GP	L1:24GP	L2:BL20	L3:EN16S	L3:EN16T
Cable 2: Red Winding B	18.8	22.2	40.0	10.7	12.0
Cable 3: Blue Winding C	23.6	27.4			
Plug definition (AWG 28#) Molex:51021-0500	28.4	32.6			
Plug 1: Red Hall 3~16V					
Plug 2: Black Hall GND					
Plug 3: Yellow Hall A					
Plug 4: Red Hall B					
Plug 5: Blue Hall C					

Remarks: Client can choose gearbox and encoder to match with this motor. Some combinations are listed here for reference.



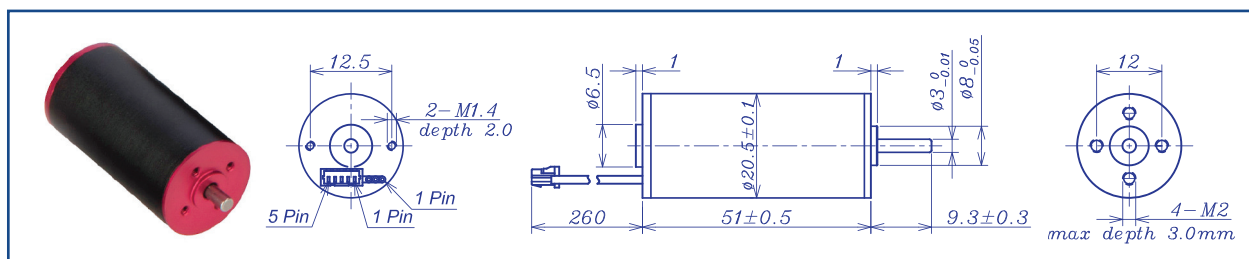
Recommended Gearbox:
Planetary Gearbox:
AM-20GP
AM-24GP

Recommended Encoder:
Encoder S: AM-EN1611S***
2~3 Channels
Encoder T: AM-EN1612T***
2~3 Channels

Motor data tested at 25°C. Motor operation exceeding continuous limits will reduce life or result in damage.
At elevated ambient temperatures, load current must be reduced.

Download datasheet: <https://assunmotor.com/documents-download>

AM-BL2051AN Series

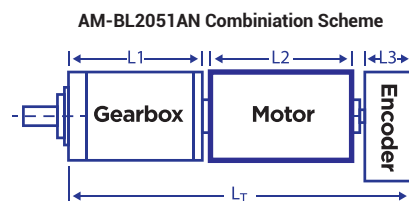


		Brushless Motor				Ball Bearings		
Motor Model		1221	1216	2426	2421	3619	3624	
Nominal voltage	V	12	12	24	24	36	36	
No load speed $\pm 12\%$	rpm	20604	15670	25800	21400	19297	24781	
No load current Max 150%	mA	250	185	155	126	65	90	
Recommend limit for continuous operating	Max cont. torque	mN.m	6.9	9.5	3.0	6.6	5.6	
	Rated Speed		19520	14156	25336	20309	23899	
	Rated Current	mA	1500	1500	500	750	500	
	Rated Power	W	14.1	14.1	8.1	14.1	18.4	14.1
Starting current	mA	24000	13793	19355	12371	7826	11613	
Stall torque	mN.m	131	98	169	130	137	159	
Maximum power output	W	70.5	40.3	114.3	72.7	69.3	102.9	
Maximum Efficiency	%	81	78	83	81	83	83	
Terminal resistance $\pm 12\%$	Ω	0.5	0.87	1.24	1.94	4.6	3.1	
Inductance (1KHz)	mH	0.04	0.07	0.1	0.16	0.47	0.29	
Mechanical time constant	ms	2.4	2.4	2.3	2.5	2.1	2.3	
Moment of inertia	gcm ²	1.43	1.43	1.43	1.43	1.43	1.43	
Torque constant	mN.m/A	5.5	7.2	8.8	10.6	17.7	13.8	
Speed constant	rpm/V	1735	1324	1084	901	541	694	
Speed/torque gradient	rpm/mN.m	157.6	159.6	152.5	164.9	140.7	156.2	
Weight	g							

ADDITIONAL INFORMATION			
Motor thermal resistance:	15 K/W	Motor thermal time constant:	720 S
Axial (dynamic):	2.5 N	Radial (5mm from mounting face):	16.0 N
Press-fit force (static):	50 N	Max allowable screw depth into flange:	3.0 mm
Maximum radial play (5mm from mounting face):	≤ 0.02 mm	Axial play:	0 (<4.0N)
Maximum winding temperature:	85°C	Ambient temperature range:	-30 to 65°C
Standard rear shaft diameter:	3 mm	Standard rear shaft length "L":	0/3.7/5.5 mm

Connection (AWG 24#)	Total Length: $L_T = L_1 + L_2 + L_3$				
Cable 1: Yellow Winding A	L1:20GP	L1:24GP	L2:BL20	L3:EN16S	L3:EN16T
Cable 2: Red Winding B	18.8	22.2	51.0	10.7	12.0
Cable 3: Blue Winding C	23.6	27.4			
Plug definition (AWG 28#) Molex:51021-0500	28.4	32.6			
Plug 1: Red Hall 3~16V					
Plug 2: Black Hall GND					
Plug 3: Yellow Hall A					
Plug 4: Red Hall B					
Plug 5: Blue Hall C					

Remarks: Client can choose gearbox and encoder to match with this motor. Some combinations are listed here for reference.



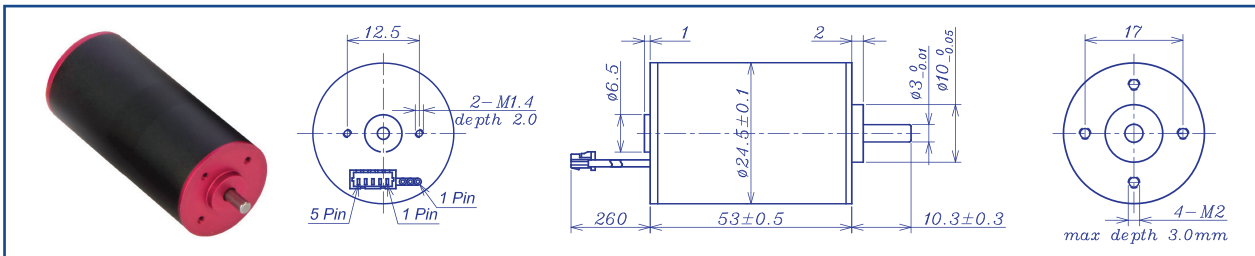
Recommended Gearbox:
Planetary Gearbox:
AM-20GP
AM-24GP

Recommended Encoder:
Encoder S: AM-EN1611S***
2~3 Channels
Encoder T: AM-EN1612T***
2~3 Channels

Motor data tested at 25°C. Motor operation exceeding continuous limits will reduce life or result in damage. At elevated ambient temperatures, load current must be reduced.

Download datasheet: <https://assunmotor.com/documents-downloads>

AM-BL2453AN Series



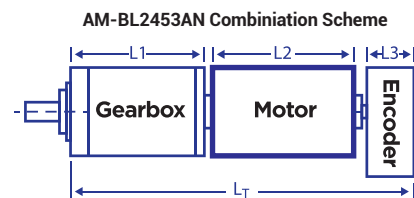
		Brushless Motor			Ball Bearings		
Motor Model		1213	1210	1829	1813	2414	2410
Nominal voltage	V	12	12	18	18	24	24
No load speed ±12%	rpm	13010	10460	28715	12920	13625	9770
No load current Max 150%	mA	180	140	420	115	100	75
Recommend limit for continuous operating	Max cont. torque	mN.m	21.1	22.3	9.4	22.2	23.8
	Rated Speed	rpm	11582	8937.3	27928	11187	8739
	Rated Current	mA	2600	2200	2000	1800	1300
	Rated Power	mA	25.6	20.9	27.5	26.0	25.8
Starting current	mA	22222	14286	58065	21676	12632	7273
Stall torque	mN.m	193	153	343	166	209	167
Maximum power output	W	65.6	40.2	257.5	56.0	74.6	42.7
Maximum Efficiency	%	83	81	84	82	83	81
Terminal resistance ±12%	Ω	0.54	0.84	0.31	1.42	1.9	3.3
Inductance (1KHz)	mH	0.055	0.092	0.092	0.14	0.14	0.45
Mechanical time constant	ms	2.4	2.5	3.0	2.8	2.4	2.1
Moment of inertia	gcm ²	3.45	3.45	3.45	3.45	3.45	3.45
Torque constant	mN.m/A	8.7	10.8	5.9	13.2	16.7	23.2
Speed constant	rpm/V	1093	880	1607	724	572	411
Speed/torque gradient	rpm/mN.m	67.6	68.2	83.8	78.0	65.2	58.5
Weigh	g	126.7	126.8	126.7	125.7	126.3	127.5

ADDITIONAL INFORMATION

Motor thermal resistance:	10.5 K/W	Motor thermal time constant:	768 S
Axial (dynamic):	2.5 N	Radial (5mm from mounting face):	16.0 N
Press-fit force (static):	50 N	Max allowable screw depth into flange:	3.0 mm
Maximum radial play (5mm from mounting face):	≤0.02 mm	Axial play:	0 (<4.0N)
Maximum winding temperature:	85°C	Ambient temperature range:	-30 to 65°C
Standard rear shaft diameter:	3 mm	Standard rear shaft length "L":	0/3.7/5.5 mm

Connection (AWG 22#)	Total Length: L _T = L1+L2+L3				
	L1:24GP	L1:28GP	L2:BL24	L3:EN16S	L3:EN16T
Cable 1: Yellow Winding A					
Cable 2: Red Winding B	22.2	25.9	53.0	10.7	12.0
Cable 3: Blue Winding C	27.4	33.1			
Plug definition (AWG 28#) Molex: 51021-0500	32.6	40.3			
Plug 1: Red Hall 3~16V					
Plug 2: Black Hall GND					
Plug 3: Yellow Hall A					
Plug 4: Red Hall B					
Plug 5: Blue Hall C					

Remarks: Client can choose gearbox and encoder to match with this motor. Some combinations are listed here for reference.

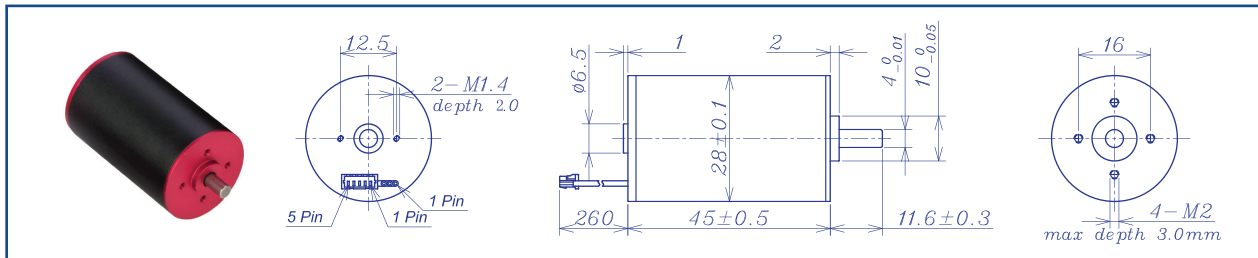


Recommended Gearbox: Planetary Gearbox: AM-24GP, AM-28GP
Recommended Encoder: Encoder S: AM-EN1611S*** 2~3 Channels, Encoder T: AM-EN1612T*** 2~3 Channels

Motor data tested at 25°C. Motor operation exceeding continuous limits will reduce life or result in damage. At elevated ambient temperatures, load current must be reduced.

Download datasheet: <https://assunmotor.com/documents-download>

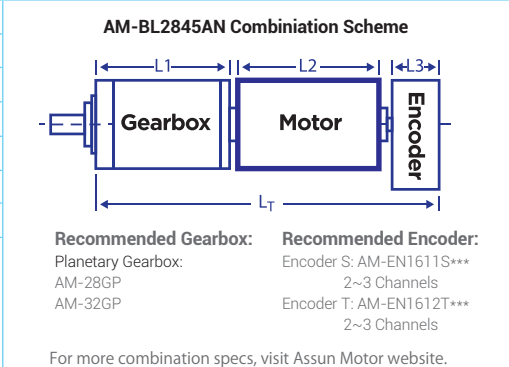
AM-BL2845AN Series



		Brushless Motor				Ball Bearings		
Motor Model		1215	1210	1813	1810	2412	2409	
Nominal voltage	V	12	12	18	18	24	24	
No load speed ±12%	rpm	14800	10000	12520	9680	11680	9080	
No load current Max 150%	mA	300	190	170	120	120	85	
Recommend limit for continuous operating	Max cont. torque	mN.m	28.4	34.2	30.4	33.1	28.8	35.4
	Rated Speed	rpm	13374	8455	11222	8282	10401	7593
	Rated Current	mA	4000	3200	2400	2000	1600	1500
	Rated Power	W	39.8	30.2	35.7	28.7	31.4	28.1
Starting current	mA	60000	19672	21687	13139	13636	8727	
Stall torque	mN.m	295	221	293	229	263	216	
Maximum power output	W	114.3	57.9	96.1	58.0	80.4	51.3	
Maximum Efficiency	%	83	81	83	82	82	81	
Terminal resistance ±12%	Ω	0.31	0.61	0.83	1.37	1.76	2.75	
Inductance (1KHz)	mH	0.034	0.086	0.126	0.22	0.27	0.46	
Mechanical time constant	ms	3.3	2.9	2.8	2.7	2.9	2.7	
Moment of inertia	gcm ²	6.19	6.19	6.19	6.19	6.19	6.19	
Torque constant	mN.m/A	7.7	11.3	13.6	17.6	19.4	25.0	
Speed constant	rpm/V	1243	841	701	543	491	382	
Speed/torque gradient	rpm/mN.m	50.2	45.2	42.7	42.3	44.4	42.0	
Weight	g	138.8	138.7	139.1	140.1	138.4	139.2	

ADDITIONAL INFORMATION			
Motor thermal resistance:	10.2 K/W	Motor thermal time constant:	822 S
Axial (dynamic):	4.0 N	Radial (5mm from mounting face):	16.0 N
Press-fit force (static):	110 N	Max allowable screw depth into flange:	3.0 mm
Maximum radial play (5mm from mounting face):	≤0.02 mm	Axial play:	0 (<4.0N)
Maximum winding temperature:	85°C	Ambient temperature range:	-30 to 65°C
Standard rear shaft diameter:	4 mm	Standard rear shaft length "L":	0/3.7/5.5 mm

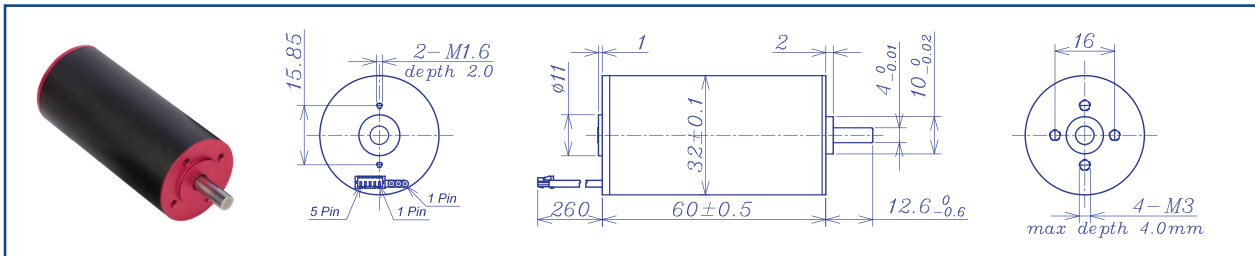
Connection (AWG 22#)	Total Length: L _T =L ₁ +L ₂ +L ₃				
Cable 1:Yellow Winding A	L1:28GP	L1:32GP	L2:BL28	L3:EN16S	L3:EN16T
Cable 2:Red Winding B	25.9	27.4	45.0	10.7	12.0
Cable 3: Blue Winding C	33.1	35.9			
Plug definition (AWG 28#) Molex:51021-0500	40.3	44.4			
Plug 1: Red Hall 3~16V					
Plug 2: Black Hall GND					
Plug 3: Yellow Hall A					
Plug 4: Red Hall B					
Plug 5: Blue Hall C					



Motor data tested at 25°C. Motor operation exceeding continuous limits will reduce life or result in damage. At elevated ambient temperatures, load current must be reduced.

Download datasheet: <https://assunmotor.com/documents-download>

AM-BL3260AN Series



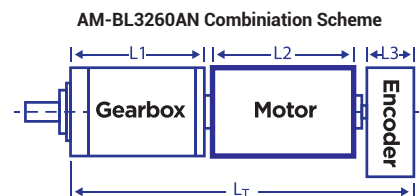
		Brushless Motor			Ball Bearings		
Motor Model		1212	1208	2413	2409	3613	3610
Nominal voltage	V	12	12	18	18	24	24
No load speed ±12%	rpm	12191	8127	12832	9752	12611	10449
No load current Max 150%	mA	355	192	190	127	125	94
Recommend limit for continuous operating	Max cont. torque	mN.m	31.3	42.1	28.6	34.4	29.1
	Rated Speed	rpm	11507	7245	12243	9305	12001
	Rated Current	mA	3700	3200	1800	1600	1200
	Rated Power	W	37.7	32.0	36.7	32.5	36.6
Starting current	mA	60000	27907	35294	120168	22360	15319
Stall torque	mN.m	557	388	624	468	603	498
Maximum power output	W	177.9	82.6	209.5	119.5	199.0	136.2
Maximum Efficiency	%	85	84	86	85	86	85
Terminal resistance ±12%	Ω	0.2	0.43	0.68	1.19	1.61	2.35
Inductance (1KH ₂)	mH						
Mechanical time constant	ms	3.0	2.9	2.9	2.9	2.9	2.9
Moment of inertia	gcm ²	13.3	13.3	13.3	13.3	13.3	13.3
Torque constant	mN.m/A	9.3	14.0	17.8	23.4	27.1	32.7
Speed constant	rpm/V	1022	682	538	409	352	292
Speed/torque gradient	rpm/mN.m	21.9	20.9	20.6	20.8	20.9	21.0
Weight	g	240	240	240	240	240	240

ADDITIONAL INFORMATION

Motor thermal resistance:	7.8 K/W	Motor thermal time constant:	1089 S
Axial (dynamic):	6.0 N	Radial (5mm from mounting face):	28.0 N
Press-fit force (static):	110 N	Max allowable screw depth into flange:	4.0 mm
Maximum radial play (5mm from mounting face):	≤0.02 mm	Axial play:	0 (<6.0N)
Maximum winding temperature:	85°C	Ambient temperature range:	-30 to 65°C
Standard rear shaft diameter:	4 mm	Standard rear shaft length "L":	0/3.7/5.5 mm

Connection (AWG 20#)	Total Length: L _T =L ₁ +L ₂ +L ₃				
Cable 1:Yellow Winding A	L1:32GP	L1:36GP	L2:BL32	L3:EN22S	L3:EN24T
Cable 2:Red Winding B	27.4	39.6	60.0	10.7	12.0
Cable 3: Blue Winding C	35.9	48.6			
Plug definition (AWG 28#) Molex:51021-0500	44.4	57.6			
Plug 1: Red Hall 3~16V					
Plug 2: Black Hall GND					
Plug 3 :Yellow Hall A					
Plug 4: Red Hall B					
Plug 5 :Blue Hall C					

Remarks: Client can choose gearbox and encoder to match with this motor. Some combinations are listed here for reference.



Recommended Gearbox:
Planetary Gearbox:
AM-32GP
AM-36GP

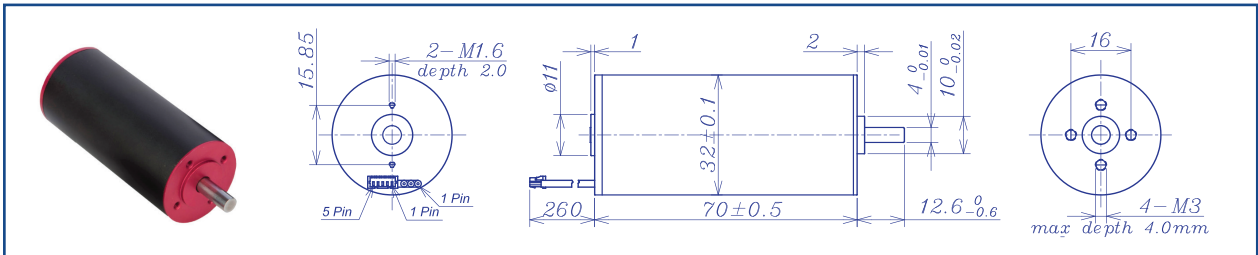
Recommended Encoder:
Encoder S: AM-EN2211S***
2~3 Channels
Encoder T: AM-EN2412T***
2~3 Channels

For more combination specs, visit Assun Motor website.

Motor data tested at 25°C. Motor operation exceeding continuous limits will reduce life or result in damage. At elevated ambient temperatures, load current must be reduced.

Download datasheet: <https://assunmotor.com/documents-download>

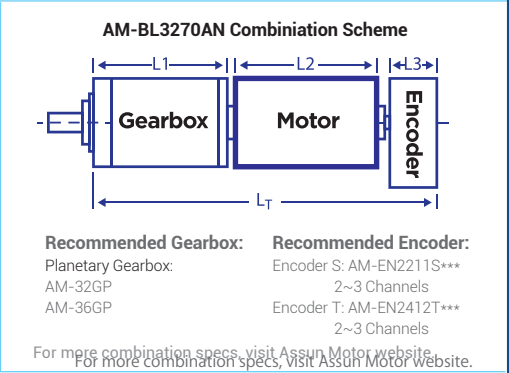
AM-BL3270AN Series



		Brushless Motor			Ball Bearings		
Motor Model		1210	1207	2412	2409	3611	3609
Nominal voltage		V	12	12	24	24	36
No load speed ±12%		rpm	9794	6529	11523	8904	10882
No load current Max 150%		mA	355	192	190	127	94
Recommend limit for continuous operating	Max cont. torque	mN.m	40.0	52.4	35.8	47.9	44.2
	Rated Speed	rpm	9143	5721	10982	8184	10225
	Rated Current	mA	3800	3200	2000	2000	1500
	Rated Power	W	38.3	31.4	41.2	41.1	47.4
Starting current		mA	52174	24490	38710	23301	23377
Stall torque		mN.m	602	423	762	593	733
Maximum power output		W	154.4	72.3	230.0	138.3	208.7
Maximum Efficiency		%	84	83	86	86	88
Terminal resistance ±12%		Ω	0.23	0.49	0.62	1.03	1.54
Inductance (1KHz)		mH		0.047			0.21
Mechanical time constant		ms	2.6	2.5	2.4	2.4	2.3
Moment of inertia		gcm ²	15.3	15.3	15.3	15.3	15.3
Torque constant		mN.m/A	11.6	17.4	19.8	25.6	31.5
Speed constant		rpm/V	822	548	482	373	303
Speed/torque gradient		rpm/mN.m	16.3	15.4	15.1	15.0	14.9
Weight		g	280	280	280	280	280

ADDITIONAL INFORMATION			
Motor thermal resistance:	8.2 K/W	Motor thermal time constant:	822 S
Axial (dynamic):	6.0 N	Radial (5mm from mounting face):	28.0 N
Press-fit force (static):	110 N	Max allowable screw depth into flange:	4.0 mm
Maximum radial play (5mm from mounting face):	≤0.02 mm	Axial play:	0 (<6.0N)
Maximum winding temperature:	85°C	Ambient temperature range:	-30 to 65°C
Standard rear shaft diameter:	4 mm	Standard rear shaft length "L":	0/3.7/5.5 mm

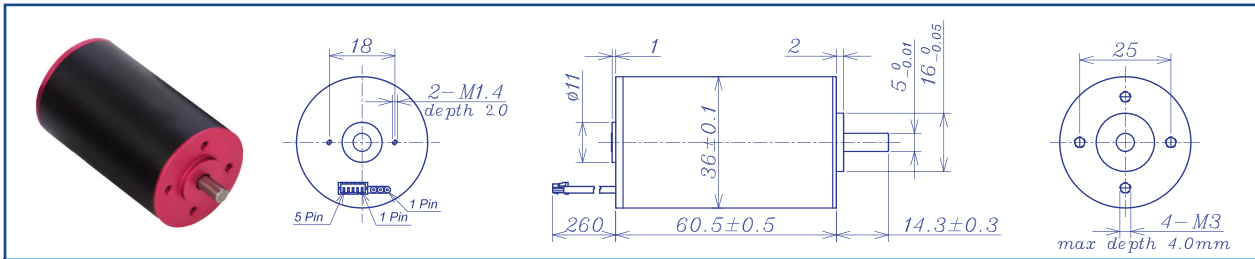
Connection (AWG 20#)	Total Length: L _T =L ₁ +L ₂ +L ₃				
Cable 1: Yellow Winding A	L1:32GP	L1:36GP	L2:BL32	L3:EN22S	L3:EN24T
Cable 2: Red Winding B	27.4	39.6	70.0	10.7	12.0
Cable 3: Blue Winding C	35.9	48.6			
Plug definition (AWG 28#) Molex: 51021-0500	44.4	57.6			
Plug 1: Red Hall 3~16V					
Plug 2: Black Hall GND					
Plug 3: Yellow Hall A	Remarks: Client can choose gearbox and encoder to match with this motor. Some combinations are listed here for reference.				
Plug 4: Red Hall B					
Plug 5: Blue Hall C					



Motor data tested at 25°C. Motor operation exceeding continuous limits will reduce life or result in damage.
At elevated ambient temperatures, load current must be reduced.

Download datasheet: <https://assunmotor.com/documents-download>

AM-BL3660AN Series



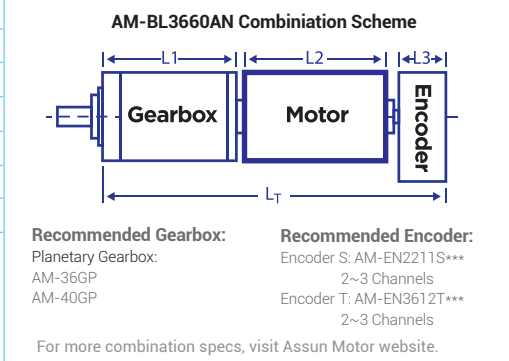
		Brushless Motor				Ball Bearings	
Motor Model		1211	1209	2413	2410	3612	3610
Nominal voltage		V	12	12	24	24	36
No load speed ±12%		rpm	11200	8840	12500	12300	10450
No load current Max 150%		mA	320	230	220	165	105
Recommend limit for continuous operating	Max cont. torque	mN.m	47.6	51.2	36.1	43.2	41.2
	Rated Speed	rpm	10322	7928	11940	9489	11650
	Rated Current	mA	5000	4200	2200	2100	1600
	Rated Power	W	51.5	42.8	45.2	42.9	50.2
Starting current		mA	60000	38710	44444	27907	28125
Stall torque		mN.m	607	496	807	620	779
Maximum power output		W	178.1	114.8	264.0	165.5	188.7
Maximum Efficiency		%	86	85	86	85	87
Terminal resistance ±12%		Ω	0.2	0.31	0.54	0.86	1.28
Inductance (1KHz)		mH	0.027	0.051	0.11	0.17	0.27
Mechanical time constant		ms	3.2	3.1	2.7	2.9	2.8
Moment of inertia		gcm ²	16.75	16.75	16.75	16.75	16.75
Torque constant		mN.m/A	10.2	12.9	18.2	22.3	27.8
Speed constant		rpm/V	938	741	523	428	343
Speed/torque gradient		rpm/mN.m	18.4	17.8	15.5	16.5	15.8
Weight		g	325.8	325.9	326.8	326.9	326.5

ADDITIONAL INFORMATION

Motor thermal resistance:	6.9 K/W	Motor thermal time constant:	1188S
Axial (dynamic):	6.0 N	Radial (5mm from mounting face):	28.0 N
Press-fit force (static):	110 N	Max allowable screw depth into flange:	4.0 mm
Maximum radial play (5mm from mounting face):	≤0.02 mm	Axial play:	0 (<6.0N)
Maximum winding temperature:	85°C	Ambient temperature range:	-30 to 65°C
Standard rear shaft diameter:	5 mm	Standard rear shaft length "L":	0/3.7/5.5 mm

Connection (AWG 20#)	Total Length: L _T =L ₁ +L ₂ +L ₃				
Cable 1: Yellow Winding A	L1:36GP	L1:40GP	L2:BL36	L3:EN22S	L3:EN36T
Cable 2: Red Winding B	39.6	46.8	60.5	10.7	12.0
Cable 3: Blue Winding C	48.6	58.3			
Plug definition (AWG 28#) Molex: 51021-0500	57.6	69.8			
Plug 1: Red Hall 3~16V					
Plug 2: Black Hall GND					
Plug 3: Yellow Hall A					
Plug 4: Red Hall B					
Plug 5: Blue Hall C					

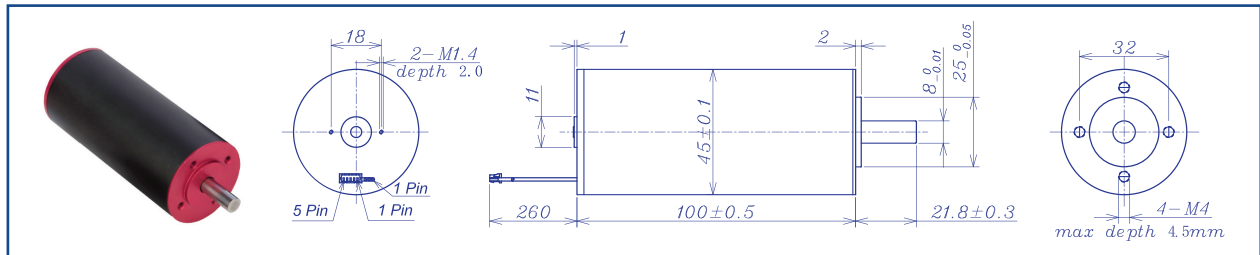
Remarks: Client can choose gearbox and encoder to match with this motor. Some combinations are listed here for reference.



Motor data tested at 25°C. Motor operation exceeding continuous limits will reduce life or result in damage.
At elevated ambient temperatures, load current must be reduced.

Download datasheet: <https://assunmotor.com/documents-download>

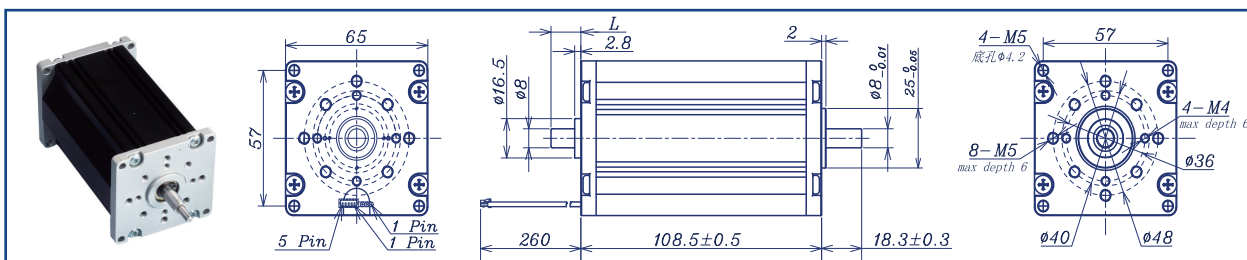
AM-BL45100AN Series



		Brushless Motor				Ball Bearings	
Motor Model		2411	2406	3610	3606	4810	4806
Nominal voltage		V	24	24	36	36	48
No load speed ±12%		rpm	11240	5900	5900	10340	10360
No load current Max 150%		mA	600	320	390	200	370
Recommend limit for continuous operating	Max cont. torque	mN.m	69.0	161.5	69.9	123.3.4	49.8
	Rated Speed	rpm	10984	5466	10127	6032	10215
	Rated Current	mA	4000	4500	2500	2500	1500
	Rated Power	W	79.4	92.4	74.1	77.9	53.2
Starting current		mA	150000	57143	102857	42353	81356
Stall torque		mN.m	3034	2195	3394	2261	3567
Maximum power output		W	892.8	339.0	918.7	377.6	967.4
Maximum Efficiency		%	88	86	88	87	87
Terminal resistance ±12%		Ω	0.16	0.42	0.35	0.85	0.59
Inductance (1KHz)		mH	0.035	0.14	0.11	0.31	0.21
Mechanical time constant		ms	4.3	3.1	3.5	3.2	3.3
Moment of inertia		gcm ²	109.8	109.8	109.8	109.8	109.8
Torque constant		mN.m/A	20.3	38.6	33.1	53.6	44.0
Speed constant		rpm/V	470	247	288	178	217
Speed/torque gradient		rpm/mN.m	3.7	2.7	3.0	2.8	2.9
Weight		g	846.5	850.2	852.5	841.5	847.5
ADDITIONAL INFORMATION							
Motor thermal resistance:		3.6 K/W			Motor thermal time constant:		1286 S
Axial (dynamic):		8.0 N			Radial (5mm from mounting face):		180.0 N
Press-fit force (static):		170 N			Max allowable screw depth into flange:		4.5 mm
Maximum radial play (5mm from mounting face):		≤0.02 mm			Axial play:		0 (<8.0N)
Maximum winding temperature:		85°C			Ambient temperature range:		-30 to 65°C
Standard rear shaft diameter:		8 mm			Standard rear shaft length "L":		0/3.7/5.5 mm
Connection (AWG 18#)		Total Length: L_T=L₁+L₂+L₃					
Cable 1: Yellow Winding A		L1:45GP	L1:52GP	L2:BL45	L3:EN22S	L3:EN36T	
Cable 2: Red Winding B		62.8.9	18.8	40.0	10.7	12.0	
Cable 3: Blue Winding C		74.8					
Plug definition (AWG 28#) Molex: 51021-0500							
Plug 1: Red Hall 3~16V							
Plug 2: Black Hall GND							
Plug 3: Yellow Hall A							
Plug 4: Red Hall B							
Plug 5: Blue Hall C							
Remarks: Client can choose gearbox and encoder to match with this motor. Some combinations are listed here for reference.							
		Recommended Gearbox: Planetary Gearbox: AM-45GP AM-52GP			Recommended Encoder: Encoder S: AM-EN2211S*** 2~3 Channels Encoder T: AM-EN3612T*** 2~3 Channels		
For more combination specs, visit Assun Motor website.							
Motor data tested at 25°C. Motor operation exceeding continuous limits will reduce life or result in damage. At elevated ambient temperatures, load current must be reduced.							

Download datasheet: <https://assunmotor.com/documents-download>

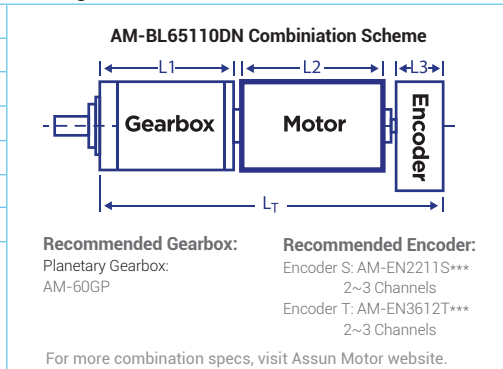
AM-BL65110DN Seires



		Brushless Motor		Ball Bearings	
Motor Model		2404	4003		
Nominal voltage		V	24	40	
No Load Speed ±12%		rpm	3550	3450	
No load current Max 150%		mA	225	135	
Recommend Limit for continuous operating	Max cont. torque	mN.m	403.0	403.5	
	Rated Speed	rpm	3037	2922	
	Rated Current	mA	6500	3800	
	Rated Power	W	128.2	123.5	
Starting current		mA	43636	24096	
Stall torque		mN.m	2788	2638	
Maximum power output		W	259.1	238.3	
Maximum Efficiency		%	86	86	
Terminal resistance ±12%		Ω	0.55	1.66	
Inductance (1KHz)		mH		0.44	
Mechanical time constant		ms	19.8	20.4	
Moment of inertia		gcm ²	1486	1486	
Torque constant		mN.m/A	64.2	110.1	
Speed constant		rpm/V	149	87	
Speed/torque gradient		rpm/mN.m	1.3	1.3	
Weight		g	1300	1308	

ADDITIONAL INFORMATION			
Motor thermal resistance:	2.6 K/W	Motor thermal time constant:	2025 S
Axial (dynamic):	30.0 N	Radial (5mm from mounting face):	180.0 N
Press-fit force (static):	150 N	Max allowable screw depth into flange:	6.0mm
Maximum radial play (5mm from mounting face):	≤0.02 mm	Axial play:	0 (<12.0N)
Maximum winding temperature:	85°C	Ambient temperature range:	-30 to 65°C
Standard Rear Shaft Diameter:	8 mm	Standard rear shaft length "L":	0/3.7/5.5 mm

Connection (AWG 18#)		减速电机总长: $L_T=L_1+L_2+L_3$			
Cable 1: Yellow	Winding A	L1:60GP	L2:BL65	L3:EN22S	L3:EN36T
Cable 2: Red	Winding B	73.5	108.5	10.7	12.0
Cable 3: Blue	Winding C				
Plug definition (AWG 28#) Molex: 51021-0500					
Plug 1: Red	Hall 3~16V				
Plug 2: Black	Hall GND				
Plug 3: Yellow	Hall A	Remarks: Client can choose gearbox and encoder to match with this motor. Some combinations are listed here for reference.			
Plug 4: Red	Hall B				
Plug 5: Blue	Hall C				



Motor data tested at 25°C. Motor operation exceeding continuous limits will reduce life or result in damage.
At elevated ambient temperatures, load current must be reduced.

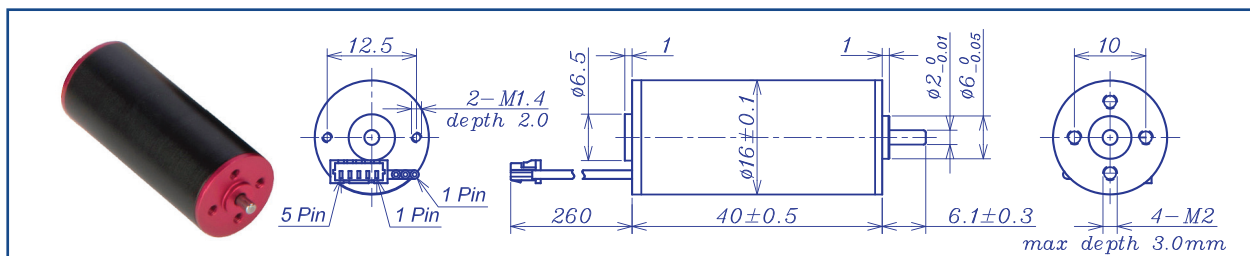
Download datasheet: <https://assunmotor.com/documents-download>

DC BRUSHLESS MOTOR
HIGH TEMPERATURE SERIES (125C)

Assun high temperature series BLDC motors have been upgraded from the standard series in material and magnets to fit for higher power and operation temperature. Applications with bad thermal dissipation environments or higher power demands could chose the high temperature series products for a safer and more guaranteed overall performance.



AM-BL1640AE Series



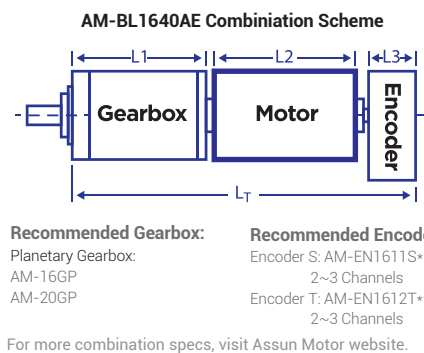
		Brushless Motor				Ball Bearings			
Motor Model		1231	1219	1216	1834	1819	1815	2417	2412
Nominal voltage	V	12	12	12	18	18	18	24	24
No load speed ±12%	rpm	30890	19320	15750	34300	18900	15210	17380	11690
No load current Max 150%	mA	150	90	70	120	65	55	45	38
Recommend limit for continuous operating	Max cont. torque	mN.m	7.9	8.8	8.8	7.4	8.8	9.2	9.2
	Rated Speed	rpm	27094	14984	11405	30688	14883	11034	13391
	Rated Current	mA	2300	1600	1300	1600	1050	850	750
	Rated Power	W	22.4	13.9	10.5	23.6	13.8	10.2	12.8
Starting current	mA	17647	6818	4528	14173	4700	2951	3117	1277
Stall torque	mN.m	64	39	32	70	42	32	40	24
Maximum power output	W	52.0	19.9	13.2	62.7	20.6	12.8	18.2	7.2
Maximum Efficiency	%	82	78	77	82	78	75	77	68
Terminal resistance ±12%	Ω	0.68	1.76	2.65	1.27	3.83	6.1	7.7	18.8
Inductance (1KHz)	mH	0.036	0.11	0.17	0.075	0.27	0.42	0.58	1.25
Mechanical time constant	ms	2.1	2.1	2.1	2.1	2.0	2.0	1.9	2.1
Moment of inertia	gcm ²	0.41	0.41	0.41	0.41	0.41	0.41	0.41	0.41
Torque constant	mN.m/A	3.7	5.9	7.2	5.0	9.0	11.1	13.0	19.0
Speed constant	rpm/V	2596	1632	1333	1922	1065	861	735	505
Speed/torque gradient	rpm/mN.m	480.0	490.6	493.2	491.2	454.7	473.6	435.5	496.2
Weight	g	42.2	42.1	41.8	42.1	42.2	41.8	41.9	41.8

ADDITIONAL INFORMATION

Motor thermal resistance:	17.9 K/W	Motor thermal time constant:	439 S
Axial (dynamic):	1.5 N	Radial (5mm from mounting face):	6.0 N
Press-fit force (static):	40 N	Max allowable screw depth into flange:	3.0 mm
Maximum radial play (5mm from mounting face):	≤0.02 mm	Axial play:	0 (<2.0N)
Maximum winding temperature:	125°C	Ambient temperature range:	-30 to 65°C
Standard rear shaft diameter:	2 mm	Standard rear shaft length "L":	0/3.7/5.5 mm

Connection (AWG 26#)	Total Length: L _T =L1+L2+L3				
Cable 1: Yellow Winding A	L1:16GP	L1:20GP	L2:BL16	L3:EN16S	L3:EN16T
Cable 2: Red Winding B	15.9	18.8	40.0	10.7	12.0
Cable 3: Blue Winding C	23.3	23.6			
Plug definition (AWG 28#) Molex: 51021-0500	27.0	28.4			
Plug 1: Red Hall 3~16V					
Plug 2: Black Hall GND					
Plug 3: Yellow Hall A					
Plug 4: Red Hall B					
Plug 5: Blue Hall C					

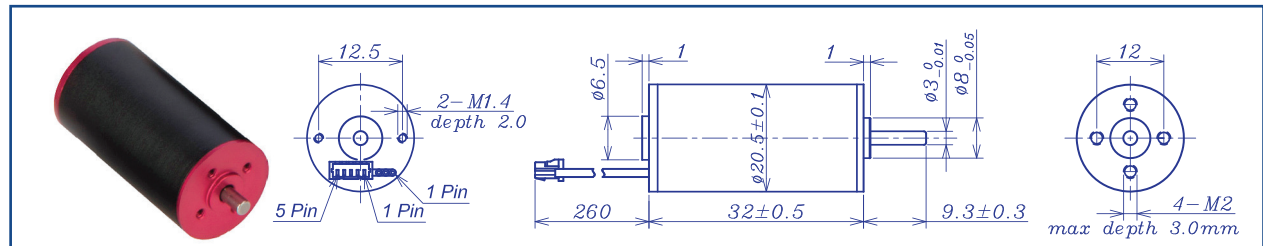
Remarks: Client can choose gearbox and encoder to match with this motor. Some combinations are listed here for reference.



Motor data tested at 25°C. Motor operation exceeding continuous limits will reduce life or result in damage.
At elevated ambient temperatures, load current must be reduced.

Download datasheet: <https://assunmotor.com/documents-download>

AM-BL2032AE Series

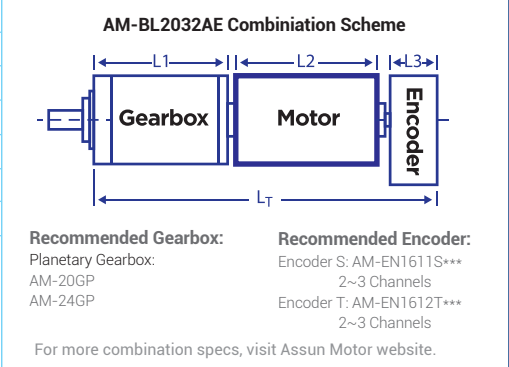


		Brushless Motor			Ball Bearings		
Motor Model		1225	1220	1822	1819	2419	2415
Nominal voltage	V	12	12	18	18	24	24
No load speed ±12%	rpm	24525	19908	22265	18634	19339	14850
No load current Max 150%	mA	200	150	120	100	90	70
Recommend limit for continuous operating	Max cont. torque	mN.m	6.0	7.1	6.7	7.0	6.5
	Rated Speed	rpm	22070	16889	19520	15584	16569
	Rated Current	mA	1500	1400	1000	880	650
	Rated Power	W	13.8	12.5	13.7	11.5	11.3
Starting current	mA	13187	8392	7258	4865	4000	2243
Stall torque	mN.m	60	47	54	43	45	32
Maximum power output	W	38.4	24.3	31.6	21.0	22.9	12.6
Maximum Efficiency	%	77	75	76	73	72	68
Terminal resistance ±12%	Ω	0.91	1.43	2.48	3.7	6.0	10.7
Inductance (1KH ₂)	mH	0.07	0.11	0.19	0.29	0.47	0.86
Mechanical time constant	ms	3.0	3.1	3.0	3.1	3.1	3.3
Moment of inertia	gcm ²	0.69	0.69	0.69	0.69	0.69	0.69
Torque constant	mN.m/A	4.6	5.7	7.6	9.0	11.6	15.0
Speed constant	rpm/V	2075	1689	1258	1057	824	639
Speed/torque gradient	rpm/mN.m	410.4	427.3	410.8	432.9	427.0	457.1
Weight	g						

ADDITIONAL INFORMATION			
Motor thermal resistance:	22.8 K/W	Motor thermal time constant:	552S
Axial (dynamic):	2.5 N	Radial (5mm from mounting face):	16.0 N
Press-fit force (static):	50 N	Max allowable screw depth into flange:	3.0 mm
Maximum radial play (5mm from mounting face):	≤0.02 mm	Axial play:	0 (<4.0N)
Maximum winding temperature:	125°C	Ambient temperature range:	-30 to 65°C
Standard rear shaft diameter:	3 mm	Standard rear shaft length "L":	0/3.7/5.5 mm

Connection (AWG 24#)	Total Length: L _T =L1+L2+L3				
Cable 1: Yellow Winding A	L1:20GP	L1:24GP	L2:BL20	L3:EN16S	L3:EN16T
Cable 2: Red Winding B	18.8	22.2	32.0	10.7	12.0
Cable 3: Blue Winding C	23.6	27.4			
Plug definition (AWG 28#) Molex: 51021-0500	28.4	32.6			
Plug 1: Red Hall 3~16V					
Plug 2: Black Hall GND					
Plug 3: Yellow Hall A					
Plug 4: Red Hall B					
Plug 5: Blue Hall C					

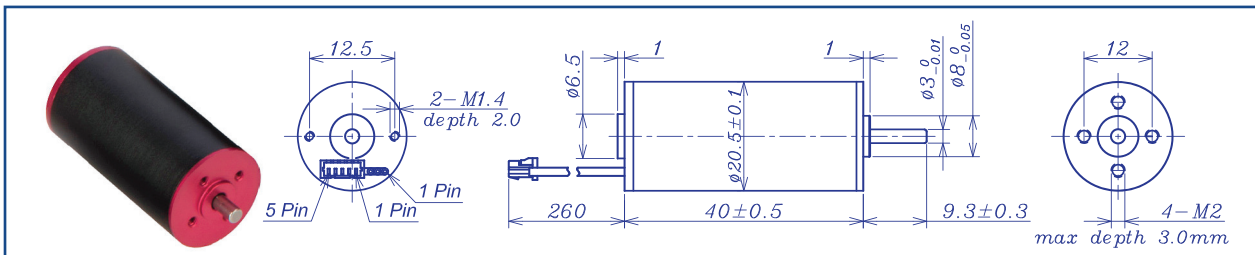
Remarks: Client can choose gearbox and encoder to match with this motor. Some combinations are listed here for reference.



Motor data tested at 25°C. Motor operation exceeding continuous limits will reduce life or result in damage.
At elevated ambient temperatures, load current must be reduced.

Download datasheet: <https://assunmotor.com/documents-download>

AM-BL2040AE Series

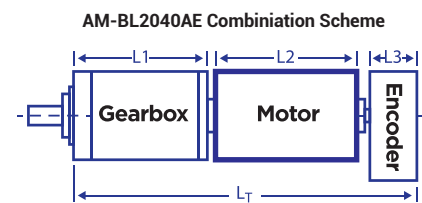


		Brushless Motor			Ball Bearings				
Motor Model			1226	1220	1216	1820	1817	2420	2417
Nominal voltage		V	12	12	12	18	18	24	24
No load speed ±12%		rpm	26000	20360	16260	19500	17350	20000	16600
No load current Max 150%		mA	350	190	180	150	140	110	95
Recommend limit for continuous operating	Max cont. torque	mN.m	8.5	12.3	13.3	11.7	11.9	12.3	12.3
	Rated Speed	rpm	23943	17399	13404	16737	14340	17144	13836
	Rated Current	mA	2300	2400	2100	1500	1360	1200	1000
	Rated Power	W	21.2	22.4	18.7	20.5	17.8	22.1	17.8
Starting current		mA	25000	15385	11111	9677	7171	7742	5530
Stall torque		mN.m	107	84	76	83	68	86	74
Maximum power output		W	72.9	45.0	32.3	42.2	31.0	45.1	32.0
Maximum Efficiency		%	78	79	76	77	74	78	76
Terminal resistance ±12%		Ω	0.48	0.78	1.08	1.86	2.51	3.1	4.34
Inductance (1KHz)		mH	0.034	0.061	0.097	0.17	0.22	0.29	0.42
Mechanical time constant		ms	2.9	2.9	2.5	2.8	3.0	2.7	2.7
Moment of inertia		gcm ²	1.13	1.13	1.13	1.13	1.13	1.13	1.13
Torque constant		mN.m/A	4.3	5.6	6.9	8.7	9.7	11.3	13.6
Speed constant		rpm/V	2197	1718	1377	1100	983	845	704
Speed/torque gradient		rpm/mN.m	4242.7	241.1	214.5	235.8	254.0	232.0	225.1
Weight		g	65.9	66.2	66.6	65.7	65.4	65.1	65.9

ADDITIONAL INFORMATION			
Motor thermal resistance:	15 K/W	Motor thermal time constant:	637S
Axial (dynamic):	2.5 N	Radial (5mm from mounting face):	16.0 N
Press-fit force (static):	50 N	Max allowable screw depth into flange:	3.0 mm
Maximum radial play (5mm from mounting face):	≤0.02 mm	Axial play:	0 (<4.0N)
Maximum winding temperature:	125°C	Ambient temperature range:	-30 to 65°C
Standard rear shaft diameter:	3 mm	Standard rear shaft length "L":	0/3.7/5.5 mm

Connection (AWG 24#)		Total Length: L _T =L ₁ +L ₂ +L ₃				
Cable	Winding	L1:16GP	L1:20GP	L2:BL16	L3:EN16S	L3:EN16T
Cable 1: Yellow	Winding A	18.8	22.2	40.0	10.7	12.0
Cable 2: Red	Winding B	23.6	27.4			
Cable 3: Blue	Winding C	28.4	32.6			
Plug definition (AWG 28#) Molex: 51021-0500						
Plug 1: Red	Hall 3~16V					
Plug 2: Black	Hall GND					
Plug 3: Yellow	Hall A					
Plug 4: Red	Hall B					
Plug 5: Blue	Hall C					

Remarks: Client can choose gearbox and encoder to match with this motor. Some combinations are listed here for reference.



Recommended Gearbox:
Planetary Gearbox:
AM-20GP
AM-24GP

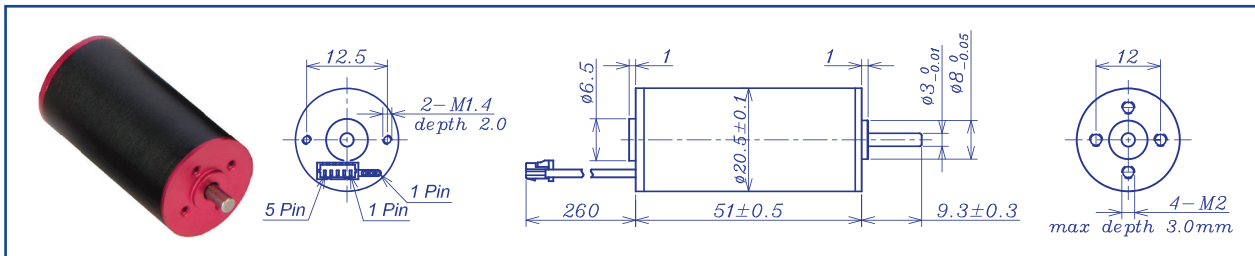
Recommended Encoder:
Encoder S: AM-EN1611S***
2~3 Channels
Encoder T: AM-EN1612T***
2~3 Channels

For more combination specs, visit Assun Motor website.

Motor data tested at 25°C. Motor operation exceeding continuous limits will reduce life or result in damage.
At elevated ambient temperatures, load current must be reduced.

Download datasheet: <https://assunmotor.com/documents-download>

AM-BL2051AE Series

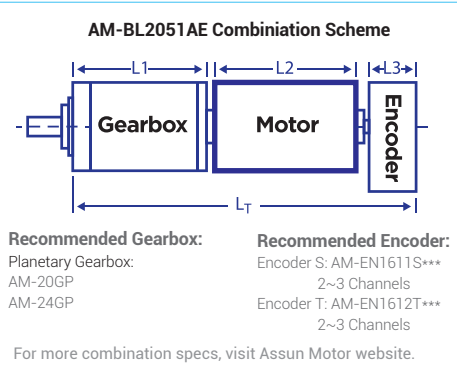


Brushless Motor			Ball Bearings					
Motor Model			1221	1216	2426	2421	3619	3625
Nominal voltage	V		12	12	24	24	36	36
No load speed	±12%	rpm	20604	15670	25800	21400	19297	24781
No load current	Max 150%	mA	250	185	155	126	65	90
Recommend limit for continuous operating	Max cont. torque	mN.m	14.0	14.5	10.6	12.0	14.8	12.0
	Rated Speed	rpm	18392	13350	24181	19418	17221	22910
	Rated Current	mA	2800	2200	1360	1260	900	960
	Rated Power	W	27.0	20.3	26.9	24.4	26.6	28.7
Starting current	mA		24000	13793	19355	12371	7826	11613
Stall torque	mN.m		131	98	169	130	137	159
Maximum power output	W		70.5	40.3	114.3	72.7	69.3	102.9
Maximum Efficiency	%		81	78	83	81	83	83
Terminal resistance	±12%	Ω	0.5	0.87	1.24	1.94	4.6	3.1
Inductance (1KHz)	mH		0.04	0.07	0.1	0.16	0.47	0.29
Mechanical time constant	ms		2.4	2.4	2.3	2.5	2.1	2.3
Moment of inertia	gcm ²		1.43	1.43	1.43	1.43	1.43	1.43
Torque constant	mN.m/A		5.5	7.2	8.8	20.6	17.7	13.8
Speed constant	rpm/V		1735	1324	1084	901	541	694
Speed/torque gradient	rpm/mN.m		157.6	159.6	152.5	164.9	140.7	156.2
Weight	g							

ADDITIONAL INFORMATION

Motor thermal resistance:	15 K/W	Motor thermal time constant:	720S
Axial (dynamic):	2.5 N	Radial (5mm from mounting face):	16.0 N
Press-fit force (static):	50 N	Max allowable screw depth into flange:	3.0 mm
Maximum radial play (5mm from mounting face):	≤0.02 mm	Axial play:	0 (<4.0N)
Maximum winding temperature:	125°C	Ambient temperature range:	-30 to 65°C
Standard rear shaft diameter:	3 mm	Standard rear shaft length "L":	0/3.7/5.5 mm

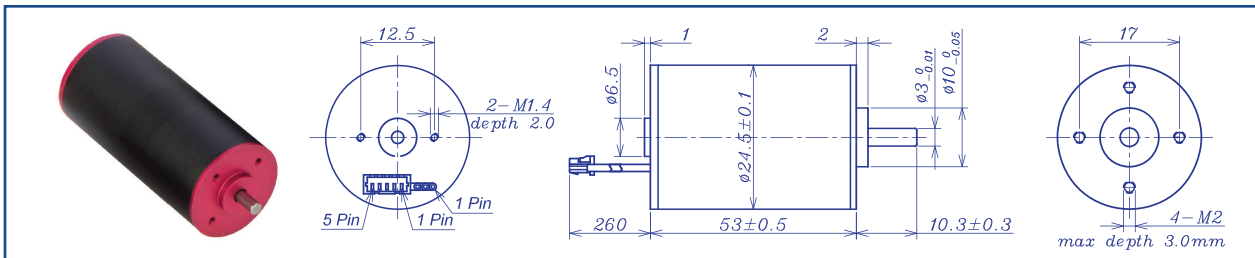
Connection (AWG 24#)	Total Length: L _T =L1+L2+L3				
Cable 1: Yellow Winding A	L1:20GP	L1:24GP	L2:BL20	L3:EN16S	L3:EN16T
Cable 2: Red Winding B	18.8	22.2	51.0	10.7	12.0
Cable 3: Blue Winding C	23.6	27.4			
Plug definition (AWG 28#) Molex: 51021-0500	28.4	32.6			
Plug 1: Red Hall 3~16V					
Plug 2: Black Hall GND					
Plug 3: Yellow Hall A	Remarks: Client can choose gearbox and encoder to match with this motor. Some combinations are listed here for reference.				
Plug 4: Red Hall B					
Plug 5: Blue Hall C					



Motor data tested at 25°C. Motor operation exceeding continuous limits will reduce life or result in damage.
At elevated ambient temperatures, load current must be reduced.

Download datasheet: <https://assunmotor.com/documents-download>

AM-BL2453AE Series

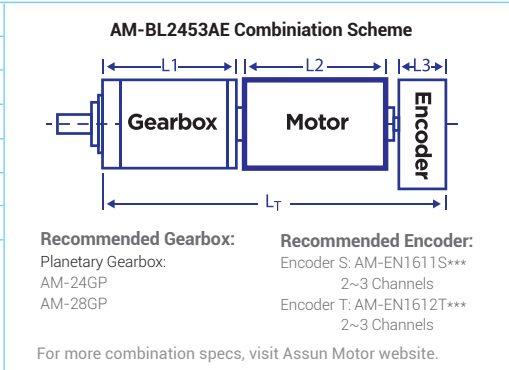


		Brushless Motor			Ball Bearings			
Motor Model		1213	1210	1829	1813	2414	2410	
Nominal voltage	V	12	12	18	18	24	24	
No load speed ±12%	rpm	13010	10460	28715	12920	13625	9770	
No load current Max 150%	mA	180	140	420	115	100	75	
Recommend limit for continuous operating	Max cont. torque	mN.m	30.3	31.6	12.4	27.5	30.0	33.1
	Rated Speed	rpm	10962	8308	27679	10775	11668	7836
	Rated Current	mA	3650	3050	2500	2200	1900	1500
	Rated Power	W	34.8	27.5	35.8	31.0	36.7	27.1
Starting current	mA	22222	14286	58065	12676	12632	7273	
Stall torque	mN.m	193	153	343	166	209	167	
Maximum power output	W	65.6	40.2	257.5	56.0	74.6	42.7	
Maximum Efficiency	%	83	81	84	82	83	81	
Terminal resistance ±12%	Ω	0.54	0.84	0.31	1.42	1.9	3.3	
Inductance (1KHz)	mH	0.055	0.092	0.02	0.14	0.23	0.45	
Mechanical time constant	ms	2.4	2.5	3.0	2.8	2.4	2.1	
Moment of inertia	gcm ²	3.45	3.45	3.45	3.45	3.45	3.45	
Torque constant	mN.m/A	8.7	10.8	5.9	13.2	16.7	23.2	
Speed constant	rpm/V	1093	880	1607	724	572	411	
Speed/torque gradient	rpm/mN.m	67.6	68.2	83.8	78.0	65.2	58.5	
Weight	g	126.7	126.8	126.7	125.7	126.3	127.5	

ADDITIONAL INFORMATION			
Motor thermal resistance:	10.5 K/W	Motor thermal time constant:	768 S
Axial (dynamic):	2.5 N	Radial (5mm from mounting face):	16.0 N
Press-fit force (static):	50 N	Max allowable screw depth into flange:	3.0 mm
Maximum radial play (5mm from mounting face):	≤0.02 mm	Axial play:	0 (<4.0N)
Maximum winding temperature:	125°C	Ambient temperature range:	-30 to 65°C
Standard rear shaft diameter:	3 mm	Standard rear shaft length "L":	0/3.7/5.5 mm

Connection (AWG 22#)		Total Length: L _T =L ₁ +L ₂ +L ₃				
Cable 1: Yellow	Winding A	L1:24GP	L1:28GP	L2:BL24	L3:EN16S	L3:EN16T
Cable 2: Red	Winding B	22.2	25.9	53.0	10.7	12.0
Cable 3: Blue	Winding C	27.4	33.1			
Plug definition (AWG 28#) Molex: 51021-0500		32.6	40.3			
Plug 1: Red	Hall 3~16V					
Plug 2: Black	Hall GND					
Plug 3: Yellow	Hall A					
Plug 4: Red	Hall B					
Plug 5: Blue	Hall C					

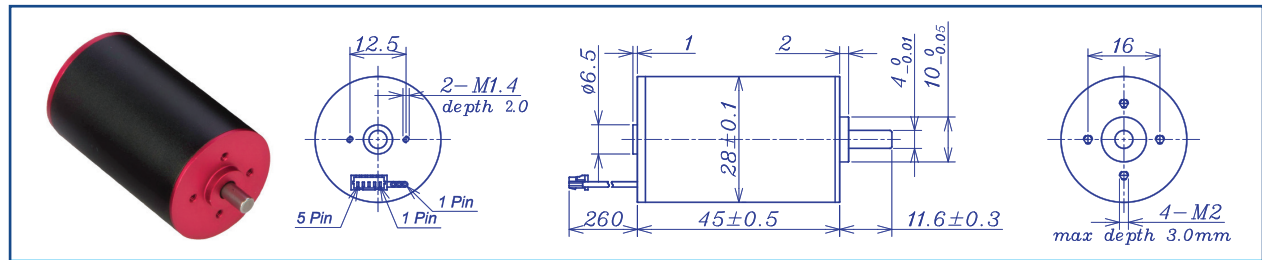
Remarks: Client can choose gearbox and encoder to match with this motor. Some combinations are listed here for reference.



Motor data tested at 25°C. Motor operation exceeding continuous limits will reduce life or result in damage.
At elevated ambient temperatures, load current must be reduced.

Download datasheet: <https://assunmotor.com/documents-download>

AM-BL2845AE Series

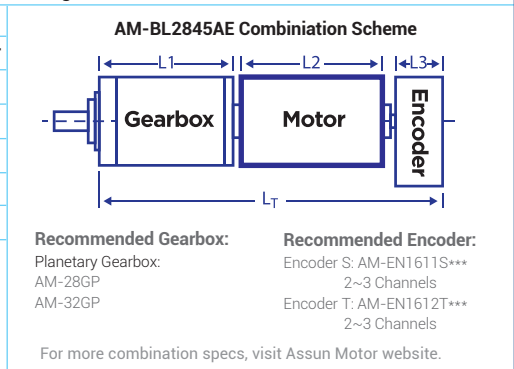


		Brushless Motor			Ball Bearings			
Motor Model		1215	1210	1813	1810	2412	2409	
Nominal voltage	V	12	12	18	18	24	24	
No load speed ±12%	rpm	14800	10000	12520	9680	11680	9080	
No load current Max 150%	mA	300	190	170	120	120	85	
Recommend limit for continuous operating	Max cont. torque	mN.m	33.8	38.7	37.2	40.1	40.4	
	Rated Speed	rpm	13105	8250	10913	7985	10055	7383
	Rated Current	mA	47000	3600	2900	2400	2000	1700
	Rated Power	W	46.4	33.4	42.6	33.5	38.5	31.2
Starting current	mA	38710	19672	21687	13139	13636	8727	
Stall torque	mN.m	295	221	293	229	263	216	
Maximum power output	W	114.3	57.9	96.1	58.0	80.4	51.3	
Maximum Efficiency	%	83	81	83	82	82	81	
Terminal resistance ±12%	Ω	0.31	0.61	0.83	1.37	1.76	2.75	
Inductance (1KH _z)	mH	0.034	0.086	0.126	0.22	0.27	0.46	
Mechanical time constant	ms	3.3	2.9	2.8	2.7	2.9	2.7	
Moment of inertia	gcm ²	6.19	6.19	6.19	6.19	6.19	6.19	
Torque constant	mN.m/A	7.7	11.3	13.6	17.6	19.4	25.0	
Speed constant	rpm/V	1243	1324	701	543	491	382	
Speed/torque gradient	rpm/mN.m	50.2	45.2	42.7	42.3	44.4	42.0	
Weight	g	138.8	138.7	139.1	140.1	138.4	139.2	

ADDITIONAL INFORMATION			
Motor thermal resistance:	10.2K/W	Motor thermal time constant:	822S
Axial (dynamic):	4.0 N	Radial (5mm from mounting face):	16.0 N
Press-fit force (static):	50 N	Max allowable screw depth into flange:	3.0 mm
Maximum radial play (5mm from mounting face):	≤0.02 mm	Axial play:	0 (<4.0N)
Maximum winding temperature:	125°C	Ambient temperature range:	-30 to 65°C
Standard rear shaft diameter:	4 mm	Standard rear shaft length "L":	0/3.7/5.5 mm

Connection (AWG 22#)	Total Length: L _T =L ₁ +L ₂ +L ₃				
	L1:28GP	L1:32GP	L2:BL28	L3:EN16S	L3:EN16T
Cable 1: Yellow Winding A	25.9	27.4	45.0	10.7	12.0
Cable 2: Red Winding B	33.1	35.9			
Cable 3: Blue Winding C	40.3	44.4			
Plug definition (AWG 28#) Molex: 51021-0500					
Plug 1: Red Hall 3~16V					
Plug 2: Black Hall GND					
Plug 3: Yellow Hall A					
Plug 4: Red Hall B					
Plug 5: Blue Hall C					

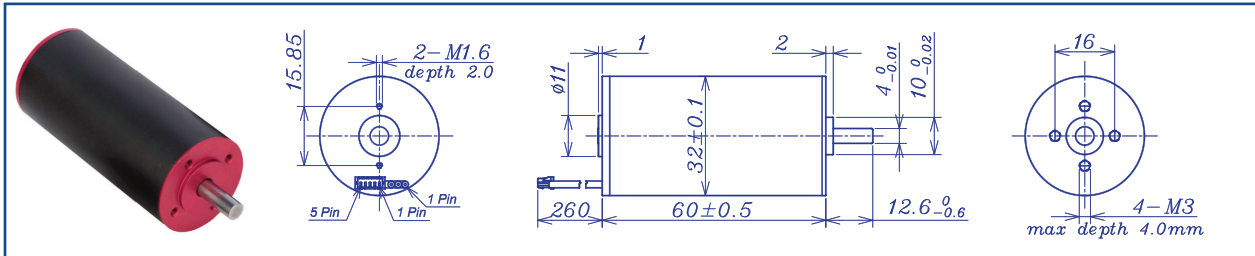
Remarks: Client can choose gearbox and encoder to match with this motor. Some combinations are listed here for reference.



Motor data tested at 25°C. Motor operation exceeding continuous limits will reduce life or result in damage.
At elevated ambient temperatures, load current must be reduced.

Download datasheet: <https://assunmotor.com/documents-download>

AM-BL3260AE Series

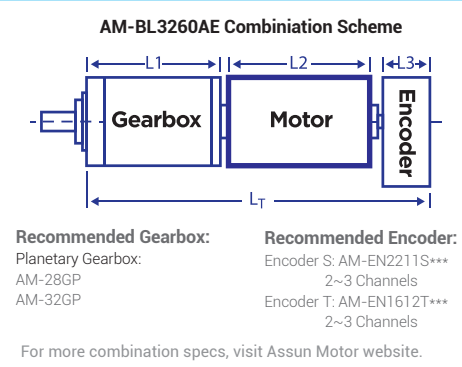


		Brushless Motor			Ball Bearings		
Motor Model		1212	1208	2413	2409	3613	3610
Nominal voltage	V	12	12	24	24	36	36
No load speed ±12%	rpm	12191	8127	12832	9680	12311	10449
No load current Max 150%	mA	355	192	190	127	125	94
Recommend limit for continuous operating	Max cont. torque	mN.m	52.7	60.3	49.9	57.8	50.8
	Rated Speed	rpm	11037	6864	11805	8549	11548
	Rated Current	mA	6000	4500	3000	2600	2000
	Rated Power	W	61.0	43.4	61.7	51.7	61.5
Starting current	mA	60000	27907	35294	20168	22360	15319
Stall torque	mN.m	557	388	624	468	603	438
Maximum power output	W	177.9	82.6	209.5	119.5	80.4	136.2
Maximum Efficiency	%	85	84	86	85	86	85
Terminal resistance ±12%	Ω	0.2	0.43	0.68	1.19	1.61	2.35
Inductance (1KH ₂)	mH						
Mechanical time constant	ms	3.0	2.9	2.9	2.9	2.9	2.9
Moment of inertia	gcm ²	13.3	13.3	13.3	13.3	13.3	13.3
Torque constant	mN.m/A	9.3	14.0	17.8	23.4	27.1	32.7
Speed constant	rpm/V	1022	682	538	409	352	292
Speed/torque gradient	rpm/mN.m	21.9	20.9	20.6	20.8	20.9	21.0
Weight	g	240	240	240	240	240	240

ADDITIONAL INFORMATION			
Motor thermal resistance:	7.8 K/W	Motor thermal time constant:	1089 S
Axial (dynamic):	6.0 N	Radial (5mm from mounting face):	28.0 N
Press-fit force (static):	110N	Max allowable screw depth into flange:	4.0 mm
Maximum radial play (5mm from mounting face):	≤0.02 mm	Axial play:	0 (<6.0N)
Maximum winding temperature:	125°C	Ambient temperature range:	-30 to 65°C
Standard rear shaft diameter:	4 mm	Standard rear shaft length "L":	0/3.7/5.5 mm

Connection (AWG 20#)	Total Length: L _T =L ₁ +L ₂ +L ₃				
Cable 1: Yellow Winding A	L1:32GP	L1:36GP	L2:BL32	L3:EN22S	L3:EN24T
Cable 2: Red Winding B	27.4	39.6	60.0	10.7	12.0
Cable 3: Blue Winding C	35.9	48.6			
Plug definition (AWG 28#) Molex: 51021-0500	44.4	57.6			
Plug 1: Red Hall 3~16V					
Plug 2: Black Hall GND					
Plug 3: Yellow Hall A					
Plug 4: Red Hall B					
Plug 5: Blue Hall C					

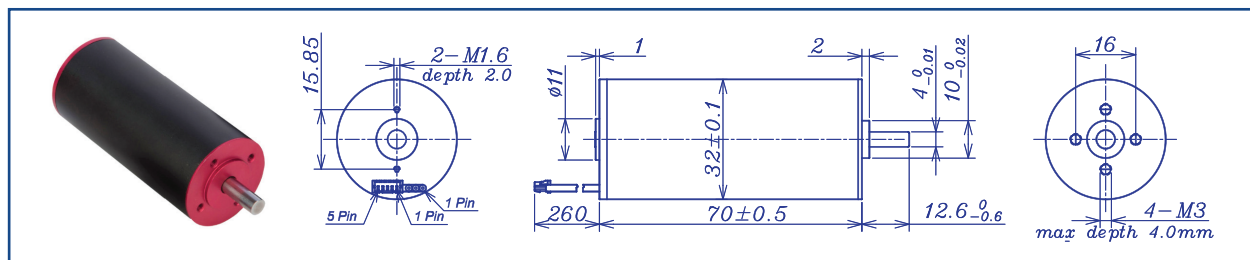
Remarks: Client can choose gearbox and encoder to match with this motor. Some combinations are listed here for reference.



Motor data tested at 25°C. Motor operation exceeding continuous limits will reduce life or result in damage. At elevated ambient temperatures, load current must be reduced.

Download datasheet: <https://assunmotor.com/documents-download>

AM-BL3270AE Series

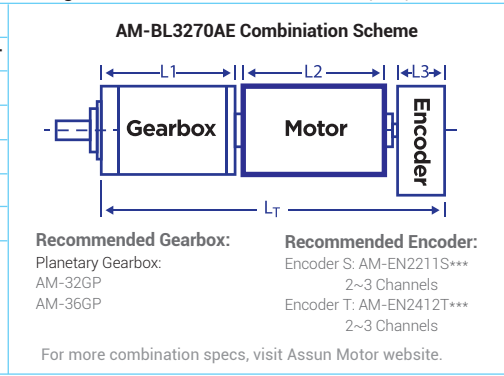


Motor Model	Brushless Motor				Ball Bearings			
		1210	1207	2412	2409	3611	3609	
Nominal voltage	V	12	12	24	24	36	36	
No load speed ±12%	rpm	9794	6529	11523	8904	10882	9182	
No load current Max 150%	mA	355	192	190	127	94	80	
Recommend limit for continuous operating	Max cont. torque	mN.m	64.4	75.0	65.5	73.5	71.5	
	Rated Speed	rpm	8746	5371	10533	7800	9804	
	Rated Current	mA	5900	4500	3500	3000	2400	
	Rated Power	W	59.0	42.2	72.3	60.1	74.5	
Starting current	mA	52174	24490	38710	23301	23377	16981	
Stall torque	mN.m	602	423	762	593	733	630	
Maximum power output	W	154.4	72.3	230.0	138.3	208.7	151.4	
Maximum Efficiency	%	84	83	86	56	88	87	
Terminal resistance ±12%	Ω	0.23	0.49	0.62	1.03	1.54	2.12	
Inductance (1KHz)	mH		0.047				0.21	
Mechanical time constant	ms	2.6	2.5	2.4	2.4	2.4	2.3	
Moment of inertia	gcm ²	15.3	15.3	15.3	15.3	15.3	15.3	
Torque constant	mN.m/A	11.6	17.4	19.8	25.6	31.5	37.3	
Speed constant	rpm/V	822	548	482	373	303	256	
Speed/torque gradient	rpm/mN.m	16.3	15.4	15.1	15.0	14.9	14.6	
Weight	g	280	280	280	280	280	280	

ADDITIONAL INFORMATION

Motor thermal resistance:	7.0 K/W	Motor thermal time constant:	1163 S
Axial (dynamic):	6.0 N	Radial (5mm from mounting face):	28.0 N
Press-fit force (static):	110N	Max allowable screw depth into flange:	4.0 mm
Maximum radial play (5mm from mounting face):	≤0.02 mm	Axial play:	0 (<6.0N)
Maximum winding temperature:	125°C	Ambient temperature range:	-30 to 65°C
Standard rear shaft diameter:	4 mm	Standard rear shaft length "L":	0/3.7/5.5 mm

Connection (AWG 20#)	Total Length: L _T =L ₁ +L ₂ +L ₃				
	L1:32GP	L1:36GP	L2:BL32	L3:EN22S	L3:EN24T
Cable 1: Yellow Winding A	27.4	39.6	70.0	10.7	12.0
Cable 2: Red Winding B	35.9	48.6			
Cable 3: Blue Winding C	44.4	57.6			
Plug definition (AWG 28#) Molex: 51021-0500					
Plug 1: Red Hall 3~16V					
Plug 2: Black Hall GND					
Plug 3: Yellow Hall A					
Plug 4: Red Hall B					
Plug 5: Blue Hall C					



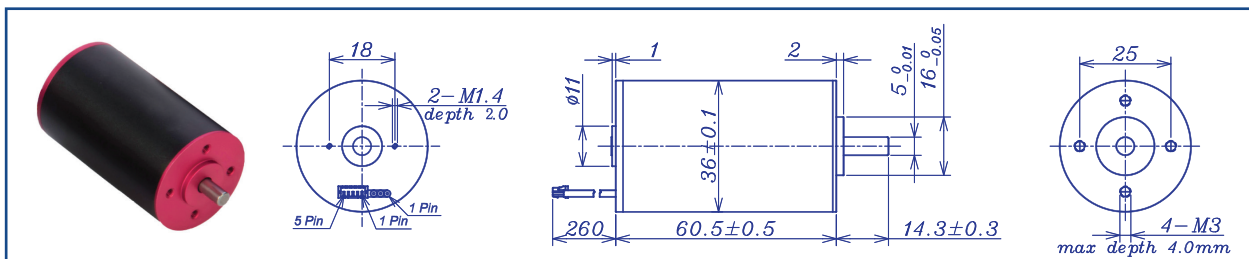
Motor data tested at 25°C. Motor operation exceeding continuous limits will reduce life or result in damage.
At elevated ambient temperatures, load current must be reduced.

Download datasheet: <https://assunmotor.com/documents-download>

DC BRUSHLESS MOTOR HIGH TEMPERATURE SERIES

ASSUN
DRIVING THE FUTURE

AM-BL3660AE Series



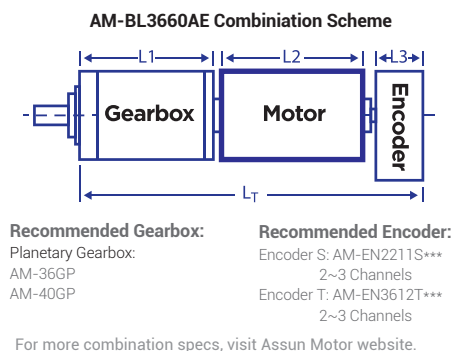
		Brushless Motor			Ball Bearings			
Motor Model		1211	1209	2413	2410	3612	3610	
Nominal voltage	V	12	12	24	24	36	36	
No load speed ±12%	rpm	11200	8840	12500	10200	12300	10450	
No load current Max 150%	mA	320	230	220	165	120	105	
Recommend limit for continuous operating	Max cont. torque	mN.m	70.0	74.4	70.8	74.5	74.6	78.4
	Rated Speed	rpm	9909	7504	11403	8974	11123	9262
	Rated Current	mA	7200	6000	4100	3500	2800	2500
	Rated Power	W	72.7	58.5	84.5	70.0	86.9	76.0
Starting current	mA	60000	38710	44444	27907	28125	21176	
Stall torque	mN.m	607	496	807	620	779	690	
Maximum power output	W	178.1	114.8	264.0	165.5	251.0	188.7	
Maximum Efficiency	%	86	85	85	85	87	86	
Terminal resistance ±12%	Ω	0.2	0.31	0.54	0.86	1.28	1.7	
Inductance (1KH ₂)	mH	0.027	0.051	0.11	0.17	0.27	0.38	
Mechanical time constant	ms	3.2	3.1	2.7	2.9	2.8	2.7	
Moment of inertia	gcm ²	16.75	16.75	16.75	16.75	16.75	16.75	
Torque constant	mN.m/A	10.2	12.9	18.2	22.3	27.8	32.7	
Speed constant	rpm/V	938	741	523	428	343	292	
Speed/torque gradient	rpm/mN.m	18.4	17.8	15.5	16.5	15.8	15.2	
Weight	g	325.8	325.9	326.8	326.9	326.5	327.5	

ADDITIONAL INFORMATION

Motor thermal resistance:	6.9K/W	Motor thermal time constant:	1188S
Axial (dynamic):	6.0 N	Radial (5mm from mounting face):	28.0 N
Press-fit force (static):	110N	Max allowable screw depth into flange:	4.0 mm
Maximum radial play (5mm from mounting face):	≤0.02 mm	Axial play:	0 (<6.0N)
Maximum winding temperature:	125°C	Ambient temperature range:	-30 to 65°C
Standard rear shaft diameter:	5 mm	Standard rear shaft length "L":	0/3.7/5.5 mm

Connection (AWG 20#)	Total Length: L _T =L ₁ +L ₂ +L ₃				
	L1:36GP	L1:40GP	L2:BL36	L3:EN22S	L3:EN36T
Cable 1: Yellow Winding A					
Cable 2: Red Winding B	39.6	46.8	60.5	10.7	12.0
Cable 3: Blue Winding C	48.6	58.3			
Plug definition (AWG 28#) Molex: 51021-0500	57.6	69.8			
Plug 1: Red Hall 3~16V					
Plug 2: Black Hall GND					
Plug 3: Yellow Hall A					
Plug 4: Red Hall B					
Plug 5: Blue Hall C					

Remarks: Client can choose gearbox and encoder to match with this motor. Some combinations are listed here for reference.

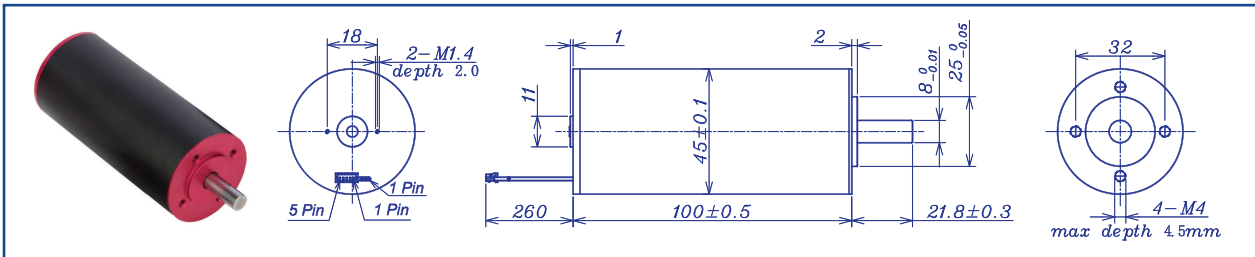


Motor data tested at 25°C. Motor operation exceeding continuous limits will reduce life or result in damage.
At elevated ambient temperatures, load current must be reduced.

Download datasheet: <https://assunmotor.com/documents-download>

Visit Our Website and Online Shop at <https://assunmotor.com> Contact: info@assunmotor.com

AM-BL45100AE Series



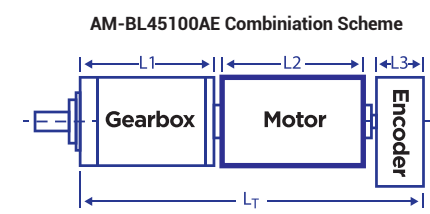
		Brushless Motor			Ball Bearings		
Motor Model		2411	2406	3610	3606	4810	4806
Nominal voltage		V	24	24	36	36	48
No load speed ±12%		rpm	11240	5900	10340	10200	6380
No load current Max 150%		mA	600	320	390	200	370
Recommend limit for continuous operating	Max cont. torque	mN.m	160.4	238.7	179.2	246.7	151.1
	Rated Speed	rpm	10646	5258	9794	5684	9921
	Rated Current	mA	8500	6500	5800	4800	3800
	Rated Power	W	178.9	131.4	183.8	146.8	156.9
Starting current		mA	150000	57143	102857	42353	81356
Stall torque		mN.m	3034	2195	3394	2261	3567
Maximum power output		W	892.8	1339.0	918.7	377.6	967.4
Maximum Efficiency		%	88	86	88	87	85
Terminal resistance ±12%		Ω	0.16	0.42	0.35	0.85	0.59
Inductance (1KH ₂)		mH	0.035	0.14	0.11	0.31	0.21
Mechanical time constant		ms	4.3	3.1	3.5	3.2	3.3
Moment of inertia		gcm ²	109.8	109.8	109.8	109.8	109.8
Torque constant		mN.m/A	20.3	38.6	33.1	53.6	44.0
Speed constant		rpm/V	470	247	288	178	217
Speed/torque gradient		rpm/mN.m	3.7	2.7	3.0	2.8	2.9
Weight		g	846.5	850.0	852.5	841.5	840.3

ADDITIONAL INFORMATION

Motor thermal resistance:	3.6K/W	Motor thermal time constant:	1286S
Axial (dynamic):	8.0 N	Radial (5mm from mounting face):	180.0 N
Press-fit force (static):	170N	Max allowable screw depth into flange:	4.5mm
Maximum radial play (5mm from mounting face):	≤0.02 mm	Axial play:	0 (<8.0N)
Maximum winding temperature:	125°C	Ambient temperature range:	-30 to 65°C
Standard rear shaft diameter:	8 mm	Standard rear shaft length "L":	0/3.7/5.5 mm

Connection (AWG 18#)		Total Length: L _T =L ₁ +L ₂ +L ₃				
Cable	Winding	L1:45GP	L1:52GP	L2:BL45	L3:EN22S	L3:EN36T
Cable 1: Yellow	Winding A	62.8	81.0	100.0	10.7	12.0
Cable 2: Red	Winding B	74.8				
Cable 3: Blue	Winding C					
Plug definition (AWG 28#) Molex: 51021-0500						
Plug 1: Red	Hall 3~16V					
Plug 2: Black	Hall GND					
Plug 3: Yellow	Hall A					
Plug 4: Red	Hall B					
Plug 5: Blue	Hall C					

Remarks: Client can choose gearbox and encoder to match with this motor. Some combinations are listed here for reference.



Recommended Gearbox:
Planetary Gearbox:
AM-45GP
AM-52GP

Recommended Encoder:
Encoder S: AM-EN2211S***
2~3 Channels
Encoder T: AM-EN3612***
2~3 Channels

For more combination specs, visit Assun Motor website.

Motor data tested at 25°C. Motor operation exceeding continuous limits will reduce life or result in damage.
At elevated ambient temperatures, load current must be reduced.

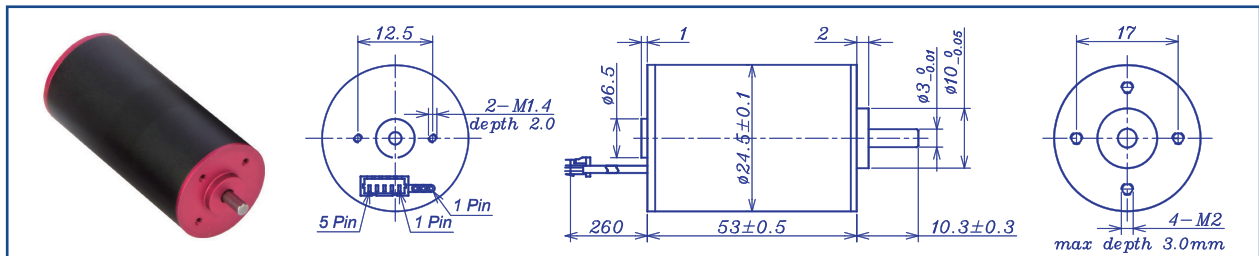
Download datasheet: <https://assunmotor.com/documents-download>

DC BRUSHLESS MOTOR
HIGH POWER SERIES (155°C)

Assun high power series BLDC motors are designed with multi-pole (4 poles) structure. Together with the high power and high torque output, these motors have also been upgraded to cope with high winding temperatures up to 155 °C. Applications with heavy duty requirements now have the perfect choice to their best satisfaction.



AM-BL2453BF Series



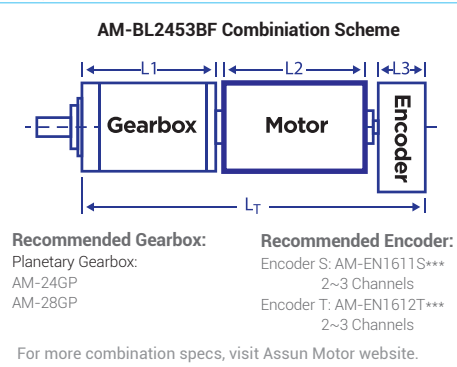
Motor Model	Brushless Motor				Ball Bearings			
	1212	1209	1812	1809	2412	2409		
Nominal voltage	V	12	12	18	18	24	24	
No load speed ±12%	rpm	11937	9182	11937	8952	11937	9182	
No load current Max 150%	mA	358	300	239	200	179	150	
Recommend limit for continuous operating	Max cont. torque	mN.m	46.48	51.17	54.16	53.76	46.48	56.16
	Rated Speed	rpm	10799	8037	10769	7818	10631	7979
	Rated Current	mA	5200	4400	4000	3000	2600	2400
	Rated Power	W		43.07	61.08	44.02	51.75	46.932.56
Starting current	mA	54545	35294	40909	23684	23762	18321	
Stall torque	mN.m	524	440	589	455	209	457	
Maximum power output	W	163.6	105.9	174.1	106.6	142.6	109.9	
Maximum Efficiency	%	84	82	85	82	83	83	
Terminal resistance ±12%	Ω	0.22	0.34	0.44	0.76	1.01	1.31	
Inductance (1KHz)	mH	2.38	2.18	2.12	2.06	2.73	2.10	
Mechanical time constant	ms	2.38	2.18	2.12	2.06	2.73	2.10	
Moment of inertia	gcm ²	9.97	9.97	9.97	9.97	9.97	9.97	
Torque constant	mN.m/A	9.60	12.48	14.40	19.20	19.20	24.96	
Speed constant	rpm/V	995	765	663	497	497	383	
Speed/torque gradient	rpm/mN.m	22.8	20.8	20.3	19.7	26.2	20.1	
Weight	g	180	180	180	180	180	180	

ADDITIONAL INFORMATION

Motor thermal resistance:	10.5 K/W	Motor thermal time constant:	768 S
Axial (dynamic):	2.5 N	Radial (5mm from mounting face):	16.0 N
Press-fit force (static):	50 N	Max allowable screw depth into flange:	3.0 mm
Maximum radial play (5mm from mounting face):	≤0.02 mm	Axial play:	0 (<4.0N)
Maximum winding temperature:	155°C	Ambient temperature range:	-30 to 65°C
Standard rear shaft diameter:	3 mm	Standard rear shaft length "L":	0/3.7/5.5 mm

Connection (AWG 22#)	Total Length: L _T =L ₁ +L ₂ +L ₃				
Cable 1: Yellow Winding A	L1:24GP	L1:28GP	L2:BL24	L3:EN16S	L3:EN16T
Cable 2: Red Winding B	22.2	25.9	53.0	10.7	12.0
Cable 3: Blue Winding C	27.4	33.1			
Plug definition (AWG 28#) Molex: 51021-0500	32.6	40.3			
Plug 1: Red Hall 3~16V					
Plug 2: Black Hall GND					
Plug 3: Yellow Hall A					
Plug 4: Red Hall B					
Plug 5: Blue Hall C					

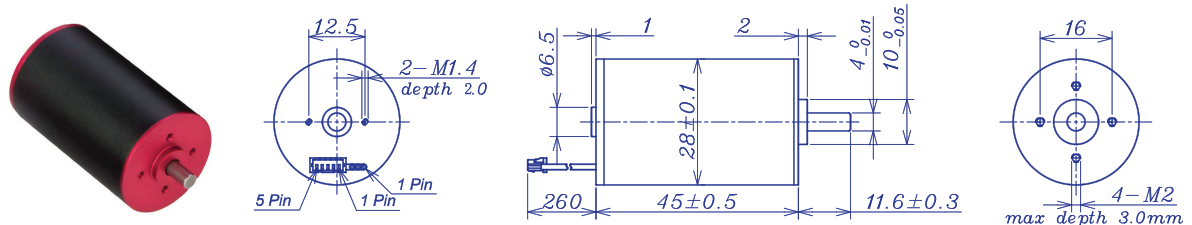
Remarks: Client can choose gearbox and encoder to match with this motor. Some combinations are listed here for reference.



Motor data tested at 25°C. Motor operation exceeding continuous limits will reduce life or result in damage.
At elevated ambient temperatures, load current must be reduced.

Download datasheet: <https://assunmotor.com/documents-download>

AM-BL2845BF Series

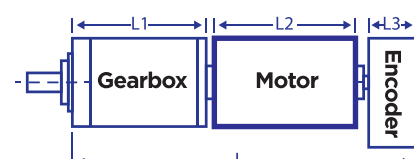


		Brushless Motor			Ball Bearings		
Motor Model		1210	1208	1810	1808	2410	2408
Nominal voltage	V	12	12	18	18	24	24
No load speed ±12%	rpm	10370	7930	10111	7995	10370	8171
No load current Max 150%	mA	417	333	278	222	208	167
Recommend limit for continuous operating	Max cont. torque	mN.m	61.69	61.66	59.87	64.03	65.44
	Rated Speed	rpm	9126	6684	8916	6801	9217
	Rated Current	mA	6000	4600	3800	3200	2900
	Rated Power	W	58.96	43.16	55.90	45.60	57.43
Starting current	mA	50000	29268	32143	21429	26087	17391
Stall torque	mN.m	553	523	546	455	577	488
Maximum power output	W	150.0	87.8	144.6	96.4	156.5	104.3
Maximum Efficiency	%	83	80	82	81	83	81
Terminal resistance ±12%	Ω	0.24	0.41	0.56	0.84	0.92	1.38
Inductance (1KHz)	mH						
Mechanical time constant	ms	2.28	2.28	2.25	2.11	2.19	2.03
Moment of inertia	gcm ²	11.6	11.6	11.6	11.6	11.6	11.6
Torque constant	mN.m/A	11.06	14.45	17.00	21.50	22.10	28.05
Speed constant	rpm/V	864	661	562	444	432	340
Speed/torque gradient	rpm/mN.m	22.8	20.8	20.3	19.7	26.2	20.1
Weight	g	180	180	180	180	180	180

ADDITIONAL INFORMATION			
Motor thermal resistance:	10.2 K/W	Motor thermal time constant:	822 S
Axial (dynamic):	4.0 N	Radial (5mm from mounting face):	16.0 N
Press-fit force (static):	50 N	Max allowable screw depth into flange:	3.0mm
Maximum radial play (5mm from mounting face):	≤0.02 mm	Axial play:	0 (<4.0N)
Maximum winding temperature:	155°C	Ambient temperature range:	-30 to 65°C
Standard rear shaft diameter:	4 mm	Standard rear shaft length "L":	0/3.7/5.5 mm

Connection (AWG 22#)	Total Length: L _T =L ₁ +L ₂ +L ₃				
	L1:28GP	L1:32GP	L2:BL28	L3:EN16S	L3:EN16T
Cable 1: Yellow Winding A	25.9	27.4	45.0	10.7	12.0
Cable 2: Red Winding B	33.1	35.9			
Cable 3: Blue Winding C	40.3	44.4			
Plug definition (AWG 28#) Molex: 51021-0500					
Plug 1: Red Hall 3~16V					
Plug 2: Black Hall GND					
Plug 3: Yellow Hall A					
Plug 4: Red Hall B					
Plug 5: Blue Hall C					

AM-BL2845BF Combination Scheme



Recommended Gearbox:
Planetary Gearbox:
AM-28GP
AM-32GP

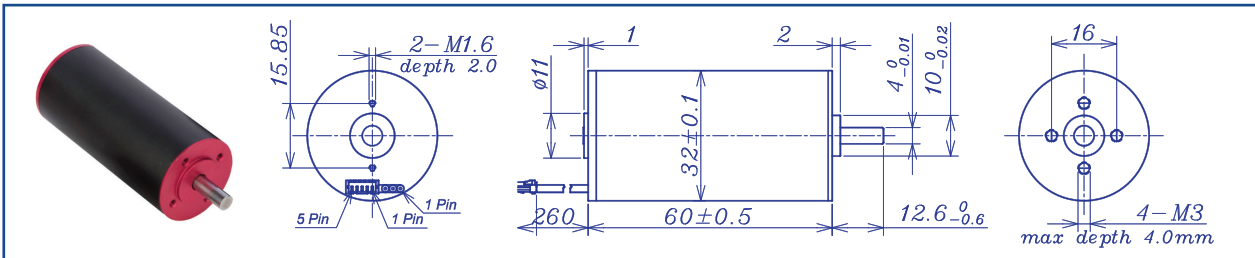
Recommended Encoder:
Encoder S: AM-EN1611S***
2~3 Channels
Encoder T: AM-EN1612T***
2~3 Channels

For more combination specs, visit Assun Motor website.

Motor data tested at 25°C. Motor operation exceeding continuous limits will reduce life or result in damage. At elevated ambient temperatures, load current must be reduced.

Download datasheet: <https://assunmotor.com/documents-download>

AM-BL3260BF Series



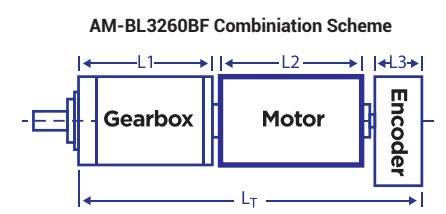
		Brushless Motor			Ball Bearings			
Motor Model		1208	1207	2409	2407	3609	3607	
Nominal voltage	V	12	12	24	24	36	36	
No load speed ±12%	rpm	8244	6870	9160	7495	8833	7274	
No load current Max 150%	mA	400	300	210	180	150	140	
Recommend limit for continuous operating	Max cont. torque	mN.m	119.54	121.76	114.84	116.82	110.92	116.26
	Rated Speed	rpm	7378	6000	8372	6708	8104	6523
	Rated Current	mA	9000	7600	4800	4000	3000	2600
	Rated Power	W	92.36	76.50	100.69	82.05	94.14	79.41
Starting current	mA	85714	60000	55814	38095	36364	25175	
Stall torque	mN.m	1191	1001	1396	1165	1415	1190	
Maximum power output	W	257.1	180.0	334.9	228.6	327.3	226.6	
Maximum Efficiency	%	87	86	88	87	88	86	
Terminal resistance ±12%	Ω	0.14	0.20	0.43	0.63	0.99	1.43	
Inductance (1KH ₂)	mH							
Mechanical time constant	ms	1.11	1.10	1.05	1.03	1.00	0.98	
Moment of inertia	gcm ²	15.3	15.3	15.3	15.3	15.3	15.3	
Torque constant	mN.m/A	13.9	16.68	25.02	30.58	38.92	47.26	
Speed constant	rpm/V	687	572	382	312	245	202	
Speed/torque gradient	rpm/mN.m	6.9	6.9	6.6	6.4	6.2	6.1	
Weight	g	240	240	240	240	240	240	

ADDITIONAL INFORMATION

Motor thermal resistance:	7.8 K/W	Motor thermal time constant:	1089 S
Axial (dynamic):	6.0 N	Radial (5mm from mounting face):	28.0 N
Press-fit force (static):	110 N	Max allowable screw depth into flange:	4.0mm
Maximum radial play (5mm from mounting face):	≤0.02 mm	Axial play:	0 (<6.0N)
Maximum winding temperature:	155°C	Ambient temperature range:	-30 to 65°C
Standard rear shaft diameter:	4 mm	Standard rear shaft length "L":	0/3.7/5.5 mm

Connection (AWG 20#)	Total Length: L _T =L ₁ +L ₂ +L ₃				
Cable 1: Yellow Winding A	L1:28GP	L1:32GP	L2:BL28	L3:EN22S	L3:EN16T
Cable 2: Red Winding B	27.4	39.6	60.0	10.7	12.0
Cable 3: Blue Winding C	35.9	48.6			
Plug definition (AWG 28#) Molex: 51021-0500	44.4	57.6			
Plug 1: Red Hall 3~16V					
Plug 2: Black Hall GND					
Plug 3: Yellow Hall A					
Plug 4: Red Hall B					
Plug 5: Blue Hall C					

Remarks: Client can choose gearbox and encoder to match with this motor. Some combinations are listed here for reference.



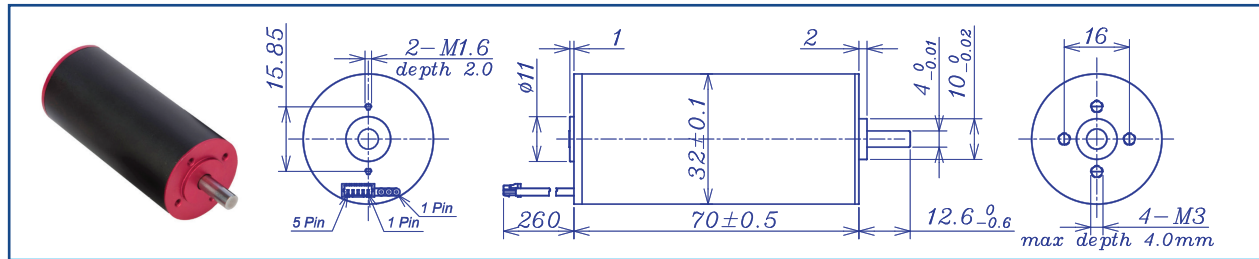
- Recommended Gearbox:**
Planetary Gearbox:
AM-32GP
AM-36GP
- Recommended Encoder:**
Encoder S: AM-EN221S***
2~3 Channels
Encoder T: AM-EN2412T***
2~3 Channels

For more combination specs, visit Assun Motor website.

Motor data tested at 25°C. Motor operation exceeding continuous limits will reduce life or result in damage. At elevated ambient temperatures, load current must be reduced.

Download datasheet: <https://assunmotor.com/documents-download>

AM-BL3270BF Series



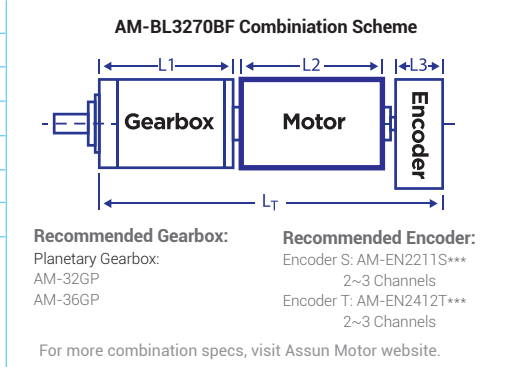
Brushless Motor		Ball Bearings						
Motor Model		1208	1207	2409	2407	3609	3607	
Nominal voltage	V	12	12	24	24	36	36	
No load speed	±12% rpm	8426	6741	8988	7095	8792	7222	
No load current	Max 150% mA	750	500	375	250	250	167	
Recommend limit for continuous operating	Max cont. torque	mN.m	125.8	139.4	123.0	140.5	123.2	139.6
	Rated Speed	rpm	7653	5959	8325	6347	8128	6513
	Rated Current	mA	10000	8700	5200	4600	3400	3100
	Rated Power	W	100.83	86.99	107.27	93.39	104.83	95.221
Starting current	mA	109091	750000	70588	43636	45000	31579	
Stall torque	mN.m	11484	1275	1800	1409	1760	1503	
Maximum power output	W	327.3	225.0	423.5	261.8	405.0	284.2	
Maximum Efficiency	%	84	84	86	85	86	86	
Terminal resistance	±12% Ω	0.11	0.15	0.34	0.55	0.80	1.14	
Inductance (1KHz)	mH							
Mechanical time constant	ms	1.12	1.05	0.99	1.00	0.99	0.95	
Moment of inertia	gcm ²	18.9	18.9	18.9	18.9	18.9	18.9	
Torque constant	mN.m/A	13.6	17.0	25.5	32.3	39.1	47.6	
Speed constant	rpm/V	702	562	374	296	244	201	
Speed/torque gradient	rpm/mN.m	5.7	5.3	5.0	5.0	5.0	4.8	
Weight	g	280	280	280	280	280	280	

ADDITIONAL INFORMATION

Motor thermal resistance:	7.0 K/W	Motor thermal time constant:	1163 S
Axial (dynamic):	6.0 N	Radial (5mm from mounting face):	28.0 N
Press-fit force (static):	110 N	Max allowable screw depth into flange:	4.0 mm
Maximum radial play (5mm from mounting face):	≤0.02 mm	Axial play:	0 (<6.0 N)
Maximum winding temperature:	155°C	Ambient temperature range:	-30 to 65°C
Standard rear shaft diameter:	4 mm	Standard rear shaft length "L":	0/3.7/5.5 mm

Connection (AWG 20#)	Total Length: L _T =L1+L2+L3				
Cable 1: Yellow Winding A	L1:28GP	L1:32GP	L2:BL28	L3:EN22S	L3:EN16T
Cable 2: Red Winding B	27.4	39.6	70.0	10.7	12.0
Cable 3: Blue Winding C	35.9	48.6			
Plug definition (AWG 28#) Molex: 51021-0500	44.4	57.6			
Plug 1: Red Hall 3~16V					
Plug 2: Black Hall GND					
Plug 3: Yellow Hall A					
Plug 4: Red Hall B					
Plug 5: Blue Hall C					

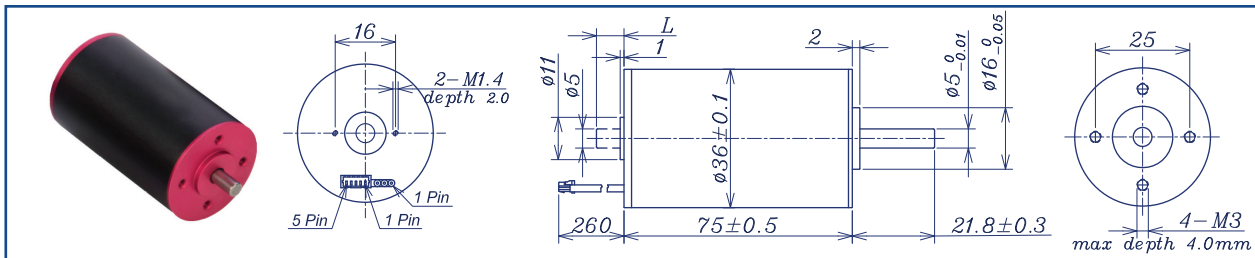
Remarks: Client can choose gearbox and encoder to match with this motor. Some combinations are listed here for reference.



Motor data tested at 25°C. Motor operation exceeding continuous limits will reduce life or result in damage.
At elevated ambient temperatures, load current must be reduced.

Download datasheet: <https://assunmotor.com/documents-download>

AM-BL3675BF Series

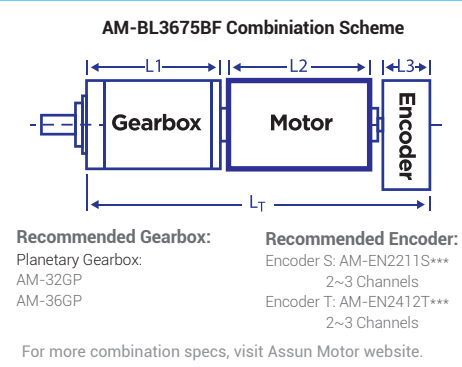


		Brushless Motor			Ball Bearings			
Motor Model		2408	2406	3609	3606	4808	4806	
Nominal voltage	V	24	24	36	36	48	48	
No load speed $\pm 12\%$	rpm	8013	6128	9192	6250	8334	5953	
No load current Max 150%	mA	454	338	339	225	227	169	
Recommend limit for continuous operating	Max cont. torque	mN.m	187.22	211.76	174.32	207.63	185.52	220.26
	Rated Speed	rpm	7452	5530	8694	5674	7815	5394
	Rated Current	mA	7000	6000	5000	4000	3600	2800
	Rated Power	W	146.11	122.64	158.71	123.37	151.83	114.43
Starting current	mA	100000	61538	92308	43373	57831	29814	
Stall torque	mN.m	2860	2302	3452	2386	3181	2296	
Maximum power output	W	600.0	369.2	830.8	390.4	694.30	357.7	
Maximum Efficiency	%	87	86	88	86	88	86	
Terminal resistance $\pm 12\%$	Ω	0.24	0.39	0.39	0.83	0.83	1.61	
Inductance (1KHz)	mH							
Mechanical time constant	ms	1.85	1.76	1.76	1.73	1.73	1.72	
Moment of inertia	gcm ²	63.21	63.21	63.21	63.21	63.21	63.21	
Torque constant	mN.m/A	28.6	37.4	37.4	55	55	77	
Speed constant	rpm/V	334	255	255	174	174	120	
Speed/torque gradient	rpm/mN.m	2.8	2.7	2.7	2.6	2.6	2.6	
Weight	g	400	400	400	400	400	400	

ADDITIONAL INFORMATION			
Motor thermal resistance:	5.4 K/W	Motor thermal time constant:	1273 S
Axial (dynamic):	6.0 N	Radial (5mm from mounting face):	28.0 N
Press-fit force (static):	110 N	Max allowable screw depth into flange:	4.0 mm
Maximum radial play (5mm from mounting face):	≤ 0.02 mm	Axial play:	0 (<6.0N)
Maximum winding temperature:	155°C	Ambient temperature range:	-30 to 65°C
Standard rear shaft diameter:	5 mm	Standard rear shaft length "L":	0/3.7/5.5 mm

Connection (AWG 20#)	Total Length: $L_T = L_1 + L_2 + L_3$				
Cable 1: Yellow Winding A	L1:36GP	L1:40GP	L2:BL36	L3:EN22S	L3:EN36T
Cable 2: Red Winding B	39.6	46.8	75	10.7	12.0
Cable 3: Blue Winding C	48.6	58.3			
Plug definition (AWG 28#) Molex: 51021-0500	57.6	69.8			
Plug 1: Red Hall 3~16V					
Plug 2: Black Hall GND					
Plug 3: Yellow Hall A					
Plug 4: Red Hall B					
Plug 5: Blue Hall C					

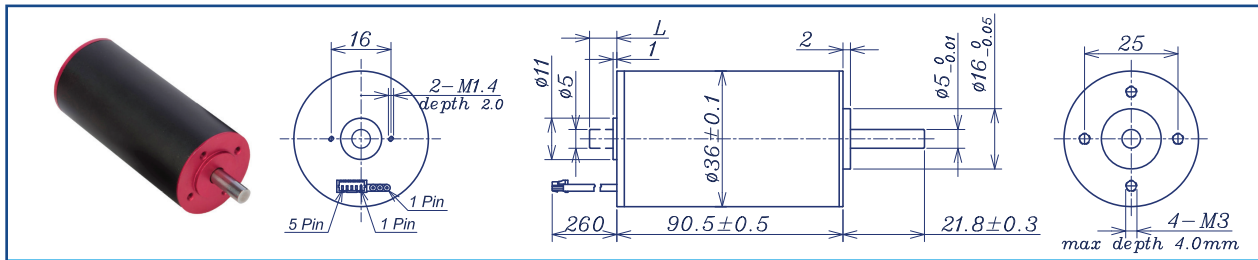
Remarks: Client can choose gearbox and encoder to match with this motor. Some combinations are listed here for reference.



Motor data tested at 25°C. Motor operation exceeding continuous limits will reduce life or result in damage.
At elevated ambient temperatures, load current must be reduced.

Download datasheet: <https://assunmotor.com/documents-download>

AM-BL3690BF Series

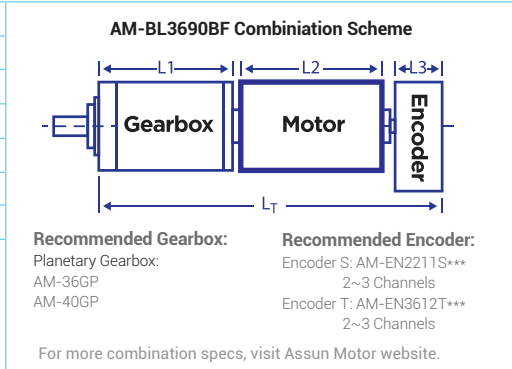


		Brushless Motor		Ball Bearings			
Motor Model		2408	2406	3609	3610	4809	4805
Nominal voltage		V	24	24	36	36	48
No load speed ±12%		rpm	8488	6063	9095	5093	8935
No load current Max 150%		mA	521	358	375	178	125
Recommend limit for continuous operating	Max cont. torque	mN.m	207.33	235.65	205.07	257.99	201.04
	Rated Speed	rpm	7995	5529	8626	4533	8474
	Rated Current	mA	8200	6600	5800	4000	4200
	Rated Power	W	173.59	136.62	185.23	122.46	178.40
Starting current		mA	141176	75000	112500	36364	81356
Stall torque		mN.m	3812	2835	4253	2455	4174
Maximum power output		W	847.1	450.0	1012.5	327.3	976.3
Maximum Efficiency		%	88	87	89	86	89
Terminal resistance ±12%		Ω	0.17	0.32	0.32	0.99	0.59
Inductance (1KHz)		mH					
Mechanical time constant		ms	1.76	1.69	1.69	1.64	1.69
Moment of inertia		gcm ²	74.56	74.56	74.56	74.56	74.56
Torque constant		mN.m/A	27	37.8	37.8	67.5	51.3
Speed constant		rpm/V	354	253	253	141	186
Speed/torque gradient		rpm/mN.m	2.2	2.1	2.1	2.1	2.1
Weight		g	480	480	480	480	480

ADDITIONAL INFORMATION

Motor thermal resistance:	K/W	Motor thermal time constant:	S
Axial (dynamic):	6.0 N	Radial (5mm from mounting face):	28.0 N
Press-fit force (static):	110 N	Max allowable screw depth into flange:	4.0 mm
Maximum radial play (5mm from mounting face):	≤0.02 mm	Axial play:	0 (<6.0N)
Maximum winding temperature:	155°C	Ambient temperature range:	-30 to 65°C
Standard rear shaft diameter:	5 mm	Standard rear shaft length "L":	0/3.7/5.5 mm

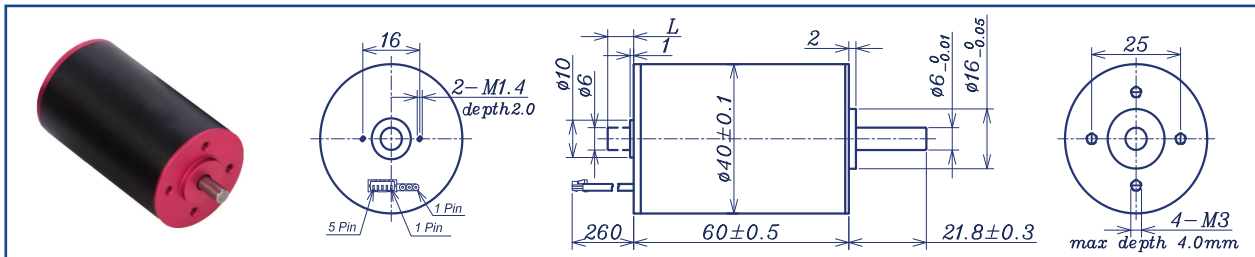
Connection (AWG 20#)		Total Length: L _T =L ₁ +L ₂ +L ₃				
Cable 1: Yellow	Winding A	L1:36GP	L1:40GP	L2:BL36	L3:EN22S	L3:EN36T
Cable 2: Red	Winding B	39.6	46.8	90	10.7	12.0
Cable 3: Blue	Winding C	48.6	58.3			
Plug definition (AWG 28#) Molex: 51021-0500		57.6	69.8			
Plug 1: Red	Hall 3~16V					
Plug 2: Black	Hall GND					
Plug 3: Yellow	Hall A	Remarks: Client can choose gearbox and encoder to match with this motor. Some combinations are listed here for reference.				
Plug 4: Red	Hall B					
Plug 5: Blue	Hall C					



Motor data tested at 25°C. Motor operation exceeding continuous limits will reduce life or result in damage.
At elevated ambient temperatures, load current must be reduced.

Download datasheet: <https://assunmotor.com/documents-download>

AM-BL4060BF Series

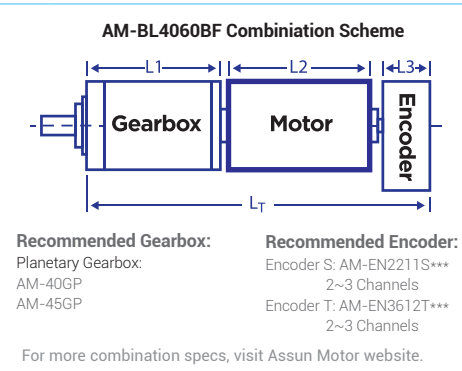


		Brushless Motor			Ball Bearings			
Motor Model		2409	2407	3609	3607	4809	4807	
Nominal voltage	V	24	24	36	36	48	48	
No load speed ±12%	rpm	9095	7074	9095	7074	9095	7074	
No load current Max 150%	mA	375	292	250	150	188	146	
Recommend limit for continuous operating	Max cont. torque	mN.m	177.03	184.94	171.99	184.97	182.04	191.42
	Rated Speed	rpm	8534	6425	8573	6539	8569	6530
	Rated Current	mA	7400	6000	4800	4000	3800	3100
	Rated Power	W	158.2	126.38	154.41	126.66	163.36	130.89
Starting current	mA	120000	77419	83721	52941	65753	40336	
Stall torque	mN.m	3024	2508	3165	2573	3314	2614	
Maximum power output	W	720.0	464.5	753.5	476.5	789.0	484.0	
Maximum Efficiency	%	89	88	89	88	90	88	
Terminal resistance ±12%	Ω	0.22	0.31	0.43	0.68	0.7319	1.82	
Inductance (1KHz)	mH							
Mechanical time constant	ms	2.72	2.55	2.60	2.49	2.49	2.45	
Moment of inertia	gcm ²	86.51	86.51	86.51	86.51	86.51	86.51	
Torque constant	mN.m/A	25.2	32.4	37.8	48.6	50.4	64.8	
Speed constant	rpm/V	379	295	253	196	189	147	
Speed/torque gradient	rpm/mN.m	3.0	2.8	2.9	2.7	2.7	2.7	
Weight	g	356	356	356	356	356	356	

ADDITIONAL INFORMATION			
Motor thermal resistance:	5.6 K/W	Motor thermal time constant:	1163 S
Axial (dynamic):	6.0 N	Radial (5mm from mounting face):	28.0 N
Press-fit force (static):	110 N	Max allowable screw depth into flange:	4.0 mm
Maximum radial play (5mm from mounting face):	≤0.02 mm	Axial play:	0 (<6.0N)
Maximum winding temperature:	155°C	Ambient temperature range:	-30 to 65°C
Standard rear shaft diameter:	5 mm	Standard rear shaft length "L":	0/3.7/5.5 mm

Connection (AWG 20#)	Total Length: L _T =L ₁ +L ₂ +L ₃				
Cable 1: Yellow Winding A	L1:40GP	L1:45GP	L2:BL40	L3:EN22S	L3:EN36T
Cable 2: Red Winding B	35.3	38.8	60	10.7	12.0
Cable 3: Blue Winding C	46.8	50.8			
Plug definition (AWG 28#) Molex: 51021-0500	58.3	62.8			
Plug 1: Red Hall 3~16V					
Plug 2: Black Hall GND					
Plug 3: Yellow Hall A					
Plug 4: Red Hall B					
Plug 5: Blue Hall C					

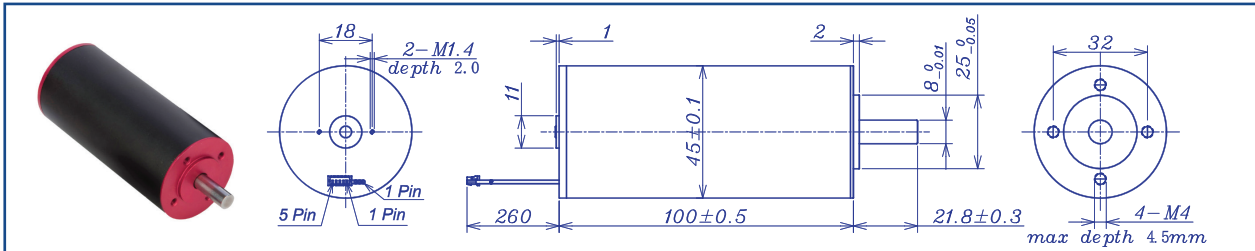
Remarks: Client can choose gearbox and encoder to match with this motor. Some combinations are listed here for reference.



Motor data tested at 25°C. Motor operation exceeding continuous limits will reduce life or result in damage.
At elevated ambient temperatures, load current must be reduced.

Download datasheet: <https://assunmotor.com/documents-download>

AM-BL45100BF Series



		Brushless Motor		Ball Bearings				
Motor Model		2407	2405	3608	3606	4808	4806	
Nominal voltage	V	24	24	36	36	48	48	
No load speed	±12% rpm	6737	5053	8288	5684	7579	6063	
No load current	Max 150% mA	571	371	556	289	367	250	
Recommend limit for continuous operating	Max cont. torque	mN.m	354.79	418.63	292.19	381.69	280.20	359.10
	Rated Speed	rpm	6397	4709	7938	5382	7350	5791
	Rated Current	mA	11000	9600	7600	6600	5000	5000
	Rated Power	W	237.68	206.43	242.88	215.12	215.67	217.79
Starting current	mA	218182	141176	180000	124138	165517	111628	
Stall torque	mN.m	7423	6404	7466	7508	10010	8439	
Maximum power output	W	1390.1	847.1	1620.0	1117.2	1986.2	1339.5	
Maximum Efficiency	%	90	90	89	91	91	91	
Terminal resistance	±12% Ω	0.11	0.17	0.2	0.29	0.29	0.43	
Inductance (1KHz)	mH							
Mechanical time constant	ms	2.16	1.88	2.64	1.8	1.8	1.71	
Moment of inertia	gcm ²	227.14	227.14	227.14	227.14	227.14	227.14	
Torque constant	mN.m/A	34.02	45.36	41.48	60.48	60.48	75.6	
Speed constant	rpm/V	281	211	230	158	158	126	
Speed/torque gradient	rpm/mN.m	0.9	0.8	1.1	0.8	0.8	0.7	
Weight	g	757	757	757	757	757	757	

ADDITIONAL INFORMATION			
Motor thermal resistance:	3.3 K/W	Motor thermal time constant:	1740 S
Axial (dynamic):	8.0 N	Radial (5mm from mounting face):	180.0 N
Press-fit force (static):	170 N	Max allowable screw depth into flange:	4.5 mm
Maximum radial play (5mm from mounting face):	≤0.02 mm	Axial play:	0 (<8.0N)
Maximum winding temperature:	155°C	Ambient temperature range:	-30 to 65°C
Standard rear shaft diameter:	8 mm	Standard rear shaft length "L":	0/3.7/5.5 mm

Connection (AWG 18#)		Total Length: L _T =L ₁ +L ₂ +L ₃				
Cable 1: Yellow	Winding A	L1:45GP	L1:52GP	L2:BL45	L3:EN22S	L3:EN36T
Cable 2: Red	Winding B	62.8	81.0	100.0	10.7	12.0
Cable 3: Blue	Winding C	74.8				
Plug definition (AWG 28#) Molex: 51021-0500						
Plug 1: Red	Hall 3~16V					
Plug 2: Black	Hall GND					
Plug 3: Yellow	Hall A					
Plug 4: Red	Hall B					
Plug 5: Blue	Hall C					

Remarks: Client can choose gearbox and encoder to match with this motor. Some combinations are listed here for reference.

AM-BL45100BF Combination Scheme

Recommended Gearbox:
Planetary Gearbox:
AM-45GP
AM-52GP

Recommended Encoder:
Encoder S: AM-EN2211S***
2~3 Channels
Encoder T: AM-EN3612T***
2~3 Channels

For more combination specs, visit Assun Motor website.

Motor data tested at 25°C. Motor operation exceeding continuous limits will reduce life or result in damage.
At elevated ambient temperatures, load current must be reduced.

Download datasheet: <https://assunmotor.com/documents-download>

DC BRUSHLESS MOTOR
SPEED DRIVER INTEGRATED SERIES

Assun driver integrated series BLDC motors are equipped with the speed driver inside of the motor for easier installation and more convenient use. Basic functions like speed control, rotation control and signal feedback can be achieved by the integrated driver.



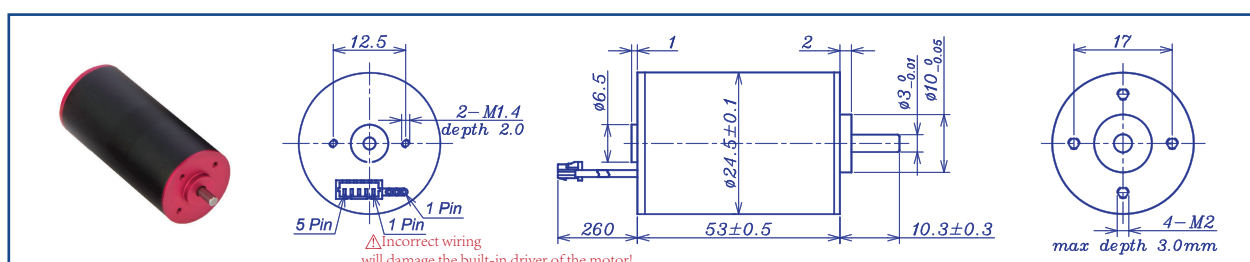
DC BRUSHLESS MOTOR

SPEED DRIVER INTEGRATED SERIES

ASSUN

DRIVING THE FUTURE

AM-BD2453AN Series



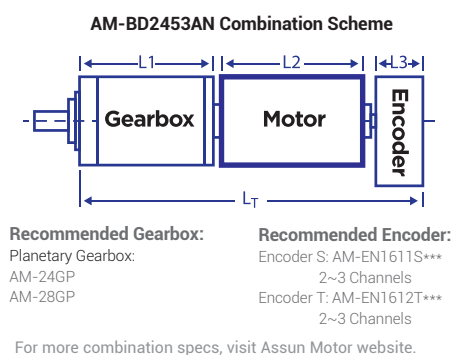
		Brushless Motor			Ball Bearings		
Motor Model		1213	1210	1813	2414	2410	
Nominal voltage	V	12	12	18	24	24	
No load speed $\pm 12\%$	rpm	13010	10460	12920	13625	9770	
No load current Max 150%	mA	180	140	115	100	75	
Recommend limit for continuous operating	Max cont. torque	mN.m	17.6	18.7	18.3	21.5	
	Rated Speed	rpm	11818	9188	11495	12429	8514
	Rated Current	mA	2200	1860	1500	1200	1000
	Rated Power	W	21.8	18.0	22.0	23.9	19.1
Starting current	mA	22222	14286	12676	12632	7273	
Stall torque	mN.m	193	153	166	209	167	
Maximum power output	W	65.6	40.2	56.0	74.6	42.7	
Maximum Efficiency	%	83	81	82	83	81	
Operating Range	V	10~28	10~28	10~28	10~28	10~28	
Type of Current		Controlled	Controlled	Controlled	Controlled	Controlled	
Mechanical time constant	ms	2.4	2.5	2.8	2.4	2.1	
Moment of inertia	gcm ²	3.45	3.45	3.45	3.45	3.45	
Torque constant	mN.m/A	8.7	10.8	13.2	16.7	23.2	
Speed constant	rpm/V	1093	880	724	572	411	
Speed/torque gradient	rpm/mN.m	67.6	68.2	78.0	65.2	58.5	
Weight	g	126.7	126.8	125.7	126.3	127.5	

ADDITIONAL INFORMATION

Motor thermal resistance:	10.5 K/W	Motor thermal time constant:	768S
Axial (dynamic):	2.5 N	Radial (5mm from mounting face):	16.0 N
Press-fit force (static):	50 N	Max allowable screw depth into flange:	3.0 mm
Maximum radial play (5mm from mounting face):	≤ 0.02 mm	Axial play:	0 (<4.0N)
Maximum winding temperature:	85°C	Ambient temperature range:	-30 to 65°C
Standard rear shaft diameter:	3 mm	Standard rear shaft length "L":	0/3.7/5.5 mm

Connection (AWG 22#)	Total Length: $L_T = L_1 + L_2 + L_3$				
	L1:24GP	L1:28GP	L2:BD24	L3:EN16S	L3:EN16T
Cable 1: +Vcc	22.2	25.9	53.0	10.7	12.0
Cable 2: GND	27.4	33.1			
Plug definition (AWG 28#) Molex: 51021-0500	32.6	40.3			
Plug 1: GND					
Plug 2: FG Pulse					
Plug 3: CW/CCW					
Plug 4: PWM					
Plug 5: Brake					

Remarks: Client can choose gearbox and encoder to match with this motor. Some combinations are listed here for reference.


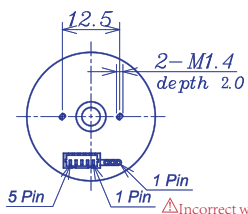
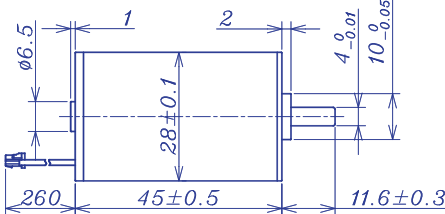
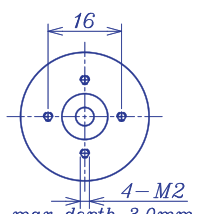


Motor data tested at 25°C. Motor operation exceeding continuous limits will reduce life or result in damage.
At elevated ambient temperatures, load current must be reduced.

Download datasheet: <https://assunmotor.com/documents-download>

Visit Our Website and Online Shop at <https://assunmotor.com> Contact: info@assunmotor.com

AM-BD2845AN Series

⚠️ Incorrect wiring will damage the built-in driver of the motor!

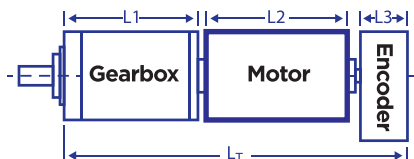
		Brushless Motor			Ball Bearings				
Motor Model		1203	1215	1210	1813	1810	2412	2409	
Nominal voltage	V	12	12	12	18	18	24	24	
No load speed ±12%	rpm	3300	14800	10000	12520	9680	11680	9080	
No load current Max 150%	mA	55	300	190	170	120	120	85	
Recommend limit for continuous operating	Max cont. torque	mN.m	25.2	20.7	26.2	23.8	26.0	24.1	27.9
	Rated Speed	rpm	2122	13760	8814	11502	8580	10608	7909
	Rated Current	mA	800	3000	2500	1920	1600	1360	1200
	Rated Power	W	5.6	29.9	24.2	28.7	23.4	26.8	23.1
Starting current	mA	2143	38710	19672	21687	13139	13636	8727	
Stall torque	mN.m	71	21	221	293	229	263	216	
Maximum power output	W	6.1	114.3	57.9	96.1	58.0	80.4	51.3	
Maximum Efficiency	%	71	83	81	83	82	82	81	
Operating Range	V	10~28	10~28	10~28	10~28	10~28	10~28	10~28	
Type of Current		Controlled	Controlled	Controlled	Controlled	Controlled	Controlled	Controlled	
Mechanical time constant	ms	3.0	3.3	2.9	2.8	2.7	2.9	2.7	
Moment of inertia	gcm ²	6.19	6.19	6.19	6.19	6.19	6.19	6.19	
Torque constant	mN.m/A	33.8	7.7	11.3	13.6	17.6	19.4	25.0	
Speed constant	rpm/V	282	1243	841	701	543	491	382	
Speed/torque gradient	rpm/mN.m	46.7	50.2	45.2	42.7	42.3	44.4	42.0	
Weight	g	138.8	138.8	138.7	139.1	140.1	138.4	139.2	

ADDITIONAL INFORMATION

Motor thermal resistance:	10.2 K/W	Motor thermal time constant:	822 S
Axial (dynamic):	4.0 N	Radial (5mm from mounting face):	16.0 N
Press-fit force (static):	50 N	Max allowable screw depth into flange:	3.0 mm
Maximum radial play (5mm from mounting face):	≤0.02 mm	Axial play:	0 (<4.0N)
Maximum winding temperature:	85°C	Ambient temperature range:	-30 to 65°C
Standard rear shaft diameter:	4 mm	Standard rear shaft length "L":	0/3.7/5.5 mm

Connection (AWG 22#)	Total Length: L _T =L1+L2+L3				
	L1:28GP	L1:32GP	L2:BD28	L3:EN16S	L3:EN16T
Cable 1: +Vcc	25.9	25.9	45.0	10.7	12.0
Cable 2: GND	33.1	35.9			
Plug definition (AWG 28#) Molex: 51021-0500	40.3	44.4			
Plug 1: GND					
Plug 2: FG Pulse					
Plug 3: CW/CCW					
Plug 4: PWM					
Plug 5: Brake					

Remarks: Client can choose gearbox and encoder to match with this motor. Some combinations are listed here for reference.



AM-BD2845AN Combination Scheme

Recommended Gearbox:
Planetary Gearbox:
AM-28GP
AM-32GP

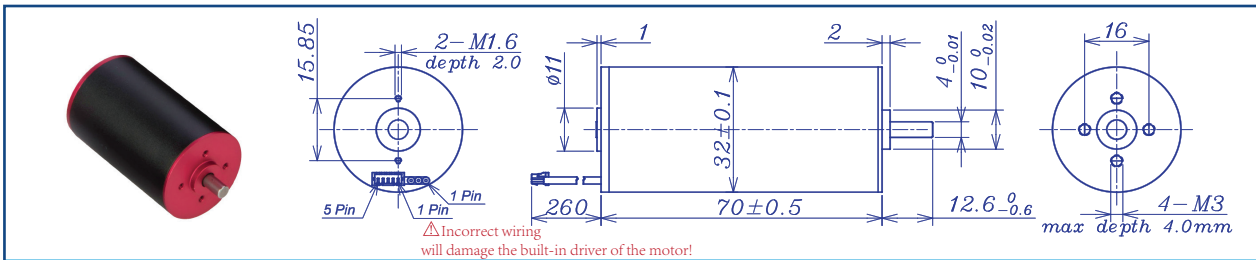
Recommended Encoder:
Encoder S: AM-EN161S***
2~3 Channels
Encoder T: AM-EN1612T***
2~3 Channels

For more combination specs, visit Assun Motor website.

Motor data tested at 25°C. Motor operation exceeding continuous limits will reduce life or result in damage.
At elevated ambient temperatures, load current must be reduced.

Download datasheet: <https://assunmotor.com/documents-download>

AM-BD3270AN Series



		Brushless Motor			Ball Bearings		
Motor Model		1210	1207	2412	2409	2407	2406
Nominal voltage	V	12	12	24	24	24	24
No load speed ±12%	rpm	9794	6529	11523	8904	7255	6121
No load current Max 150%	mA	355	192	190	127	88	75
Recommend limit for continuous running	Max cont. torque	mN.m	30.7	45.4	33.8	46.7	47.5
	Rated Speed	rpm	9294	5828	11011	8204	6547
	Rated Current	mA	3000	2800	1900	1950	1600
	Rated Power	W	29.9	27.7	39.0	40.1	32.6
Starting current	mA	52174	24490	38710	23301	15584	11321
Stall torque	mN.m	602	423	762	593	487	418
Maximum power output	W	154.4	72.3	230.0	138.3	92.5	67.0
Maximum Efficiency	%	84	83	86	86	86	84
Operating Range	V	10~28	10~28	10~28	10~28	10~28	10~28
Type of Current		Controlled	Controlled	Controlled	Controlled	Controlled	Controlled
Mechanical time constant	ms	2.6	2.5	2.4	2.4	2.4	2.3
Moment of inertia	gcm ²	15.3	15.3	15.3	15.3	15.3	15.3
Torque constant	mN.m/A	11.6	17.4	19.8	25.6	31.4	37.2
Speed constant	rpm/V	822	548	482	373	304	257
Speed/torque gradient	rpm/mN.m	16.3	15.4	15.1	15.0	14.9	14.6
Weight	g	290	290	290	290	290	290

ADDITIONAL INFORMATION			
Motor thermal resistance:	8.2 K/W	Motor thermal time constant:	822 S
Axial (dynamic):	4.0 N	Radial (5mm from mounting face):	16.0 N
Press-fit force (static):	50 N	Max allowable screw depth into flange:	3.0 mm
Maximum radial play (5mm from mounting face):	≤0.02 mm	Axial play:	0 (<4.0N)
Maximum winding temperature:	85°C	Ambient temperature range:	-30 to 65°C
Standard rear shaft diameter:	4 mm	Standard rear shaft length "L":	0/3.7/5.5 mm

Connection (AWG 20#)	Total Length: L _T =L ₁ +L ₂ +L ₃				
	L1:32GP	L1:36GP	L2:BD32	L3:EN22S	L3:EN24T
Cable 1: +Vcc	27.4	39.6	70.0	10.7	12.0
Cable 2: GND	35.9	48.6			
Plug definition (AWG 28#) Molex: 51021-0500	44.4	57.6			
Plug 1: GND					
Plug 2: FG Pulse					
Plug 3: CW/CCW					
Plug 4: PWM					
Plug 5: Brake					

Remarks: Client can choose gearbox and encoder to match with this motor. Some combinations are listed here for reference.

AM-BD3270AN Combination Scheme

Recommended Gearbox:
AM-32GP
AM-36GP

Recommended Encoder:
Encoder S: AM-EN221S***
2~3 Channels
Encoder T: AM-EN2412T***
2~3 Channels

For more combination specs, visit Assun Motor website.

Motor data tested at 25°C. Motor operation exceeding continuous limits will reduce life or result in damage. At elevated ambient temperatures, load current must be reduced.


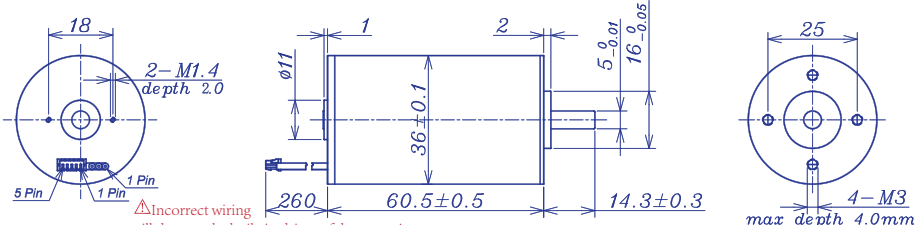
Download datasheet: <https://assunmotor.com/documents-download>

DC BRUSHLESS MOTOR — SPEED DRIVER INTEGRATED SERIES

ASSUN

DRIVING THE FUTURE

AM-BD3660AN Series

⚠️ Incorrect wiring will damage the built-in driver of the motor!

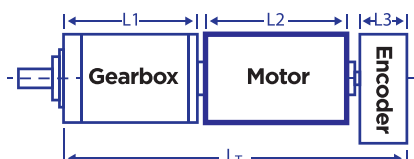
		Brushless Motor			Ball Bearings			
Motor Model		1211	1209	2413	2410	2408	2407	
Nominal voltage	V	12	12	24	24	24	24	
No load speed ±12%	rpm	11200	8840	12500	10200	8200	6966	
No load current Max 150%	mA	320	230	220	165	100	85	
Recommend limit for continuous operating	Max cont. torque	mN.m	39.5	43.4	32.5	41.0	56.1	
	Rated Speed	rpm	10472	8066	11997	9525	7409	6116
	Rated Current	mA	4200	3600	2000	2000	1900	1800
	Rated Power	W	43.3	36.7	40.8	40.9	38.8	35.9
Starting current	mA	60000	38710	44444	27907	18750	14118	
Stall torque	mN.m	607	496	807	620	518	459	
Maximum power output	W	178.1	114.8	264.0	165.5	111.3	83.7	
Maximum Efficiency	%	86	85	86	85	86	85	
Operating Range	V	10~28	10~28	10~28	10~28	10~28	10~28	
Type of Current		Controlled	Controlled	Controlled	Controlled	Controlled	Controlled	
Mechanical time constant	ms	3.2	3.1	2.7	2.9	2.8	2.7	
Moment of inertia	gcm ²	16.75	16.75	16.75	16.75	16.75	16.75	
Torque constant	mN.m/A	10.2	12.9	18.2	22.3	27.8	32.7	
Speed constant	rpm/V	938	741	523	428	343	292	
Speed/torque gradient	rpm/mN.m	18.4	17.8	15.5	16.5	15.8	15.2	
Weight	g	326.3	326.8	327.4	327.2	328.1	328.4	

ADDITIONAL INFORMATION			
Motor thermal resistance:	6.9 K/W	Motor thermal time constant:	1188 S
Axial (dynamic):	6.0 N	Radial (5mm from mounting face):	28.0 N
Press-fit force (static):	110 N	Max allowable screw depth into flange:	4.0 mm
Maximum radial play (5mm from mounting face):	≤0.02 mm	Axial play:	0 (<6.0N)
Maximum winding temperature:	85°C	Ambient temperature range:	-30 to 65°C
Standard rear shaft diameter:	5 mm	Standard rear shaft length "L":	0/3.7/5.5 mm

Connection (AWG 20#)	Total Length: L _T =L ₁ +L ₂ +L ₃				
	L1:36GP	L1:40GP	L2:BD36	L3:EN22S	L3:EN36T
Cable 1: +Vcc	25.9	25.9	60.5	10.7	12.0
Cable 2: GND	33.1	35.9			
Plug definition (AWG 28#) Molex: 51021-0500	40.3	44.4			
Plug 1: GND					
Plug 2: FG Pulse					
Plug 3: CW/CCW					
Plug 4: PWM					
Plug 5: Brake					

Remarks: Client can choose gearbox and encoder to match with this motor. Some combinations are listed here for reference.

AM-BD3660AN Combination Scheme



Recommended Gearbox:
Planetary Gearbox:
AM-36GP
AM-40GP

Encoder S: AM-EN221S***
2~3 Channels
Encoder T: AM-EN3612T***
2~3 Channels

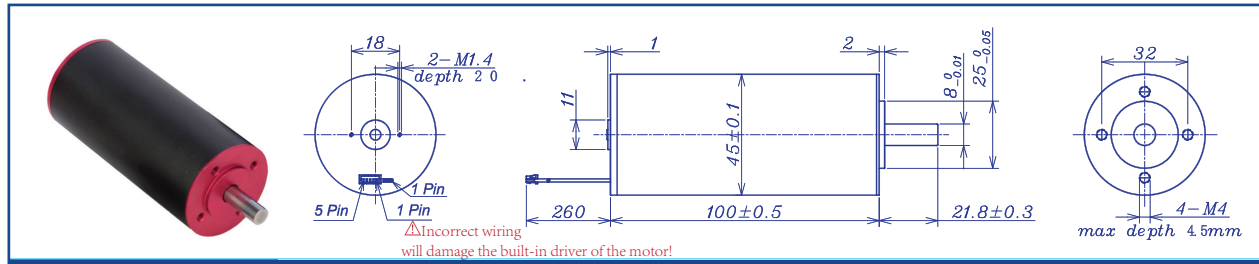
For more combination specs, visit Assun Motor website.

Motor data tested at 25°C. Motor operation exceeding continuous limits will reduce life or result in damage.
At elevated ambient temperatures, load current must be reduced.

Download datasheet: <https://assunmotor.com/documents-download>

Visit Our Website and Online Shop at <https://assunmotor.com> Contact: info@assunmotor.com

AM-BD45100AN Series



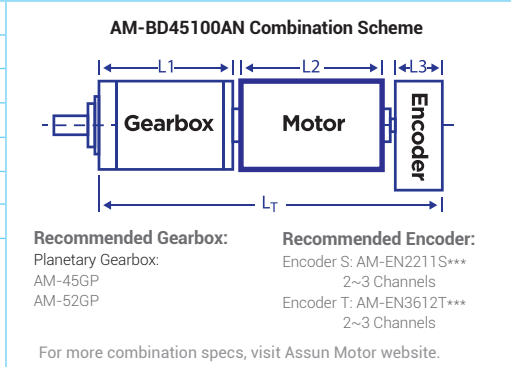
Brushless Motor		Ball Bearings						
Motor Model		2411	2406	2407	2404	2405	2403	
Nominal voltage	V	24	24	24	24	24	24	
No load speed	±12% rpm	11240	5900	6912	4272	5208	3240	
No load current	Max 150% mA	600	320	320	180	220	160	
Recommend limit for continuous operating	Max cont. torque	mN.m	48.7	134.4	121.4	171.6	156.7	170.9
	Rated Speed	rpm	11059	5539	6539	3782	4747	2748
	Rated Current	mA	3000	3800	4000	3400	3800	2600
	Rated Power	W	56.4	78.0	83.2	68.0	77.9	49.2
Starting current	mA	150000	57143	68571	28235	40678	16216	
Stall torque	mN.m	3034	2195	2252	1496	1771	1125	
Maximum power output	W	892.8	339.0	407.6	167.3	241.4	95.4	
Maximum Efficiency	%	88	86	87	85	86	81	
Operating Range	V	10~28	10~28	10~28	10~28	10~28	10~28	
Type of Current		Controlled	Controlled	Controlled	Controlled	Controlled	Controlled	
Mechanical time constant	ms	4.3	3.1	3.5	3.3	3.4	3.3	
Moment of inertia	gcm ²	109.8	109.8	109.8	109.8	109.8	109.8	
Torque constant	mN.m/A	20.3	38.6	33.0	53.3	43.8	70.0	
Speed constant	rpm/V	470	247	289	179	218	136	
Speed/torque gradient	rpm/mN.m	3.7	2.7	3.1	2.9	2.9	2.9	
Weight	g	326.3	326.8	327.4	327.2	328.1	328.4	

ADDITIONAL INFORMATION

Motor thermal resistance:	3.6 K/W	Motor thermal time constant:	1286S
Axial (dynamic):	6.0 N	Radial (5mm from mounting face):	28.0 N
Press-fit force (static):	110 N	Max allowable screw depth into flange:	4.5 mm
Maximum radial play (5mm from mounting face):	≤0.02 mm	Axial play:	0 (<6.0N)
Maximum winding temperature:	85°C	Ambient temperature range:	-30 to 65°C
Standard rear shaft diameter:	8 mm	Standard rear shaft length "L":	0/3.7/5.5 mm

Connection (AWG 18#)	Total Length: L _T =L ₁ +L ₂ +L ₃				
	L1:45GP	L1:52GP	L2:BD45	L3:EN22S	L3:EN36T
Cable 1: +Vcc	62.8	81.0	100.0	10.7	12.0
Cable 2: GND	74.8				
Plug definition (AWG 28#) Molex: 51021-0500					
Plug 1: GND					
Plug 2: FG Pulse					
Plug 3: CW/CCW					
Plug 4: PWM					
Plug 5: Brake					

Remarks: Client can choose gearbox and encoder to match with this motor. Some combinations are listed here for reference.



Motor data tested at 25°C. Motor operation exceeding continuous limits will reduce life or result in damage. At elevated ambient temperatures, load current must be reduced.

Download datasheet: <https://assunmotor.com/documents-download>

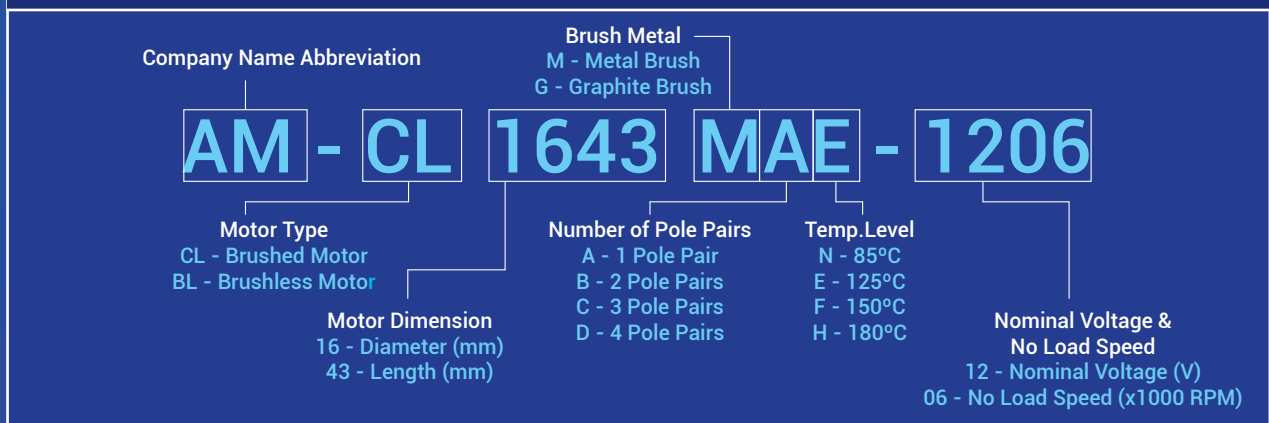
DC BRUSHED MOTOR

Assun DC Brushed Motors are manufactured with coreless rotors for high efficiency, smooth operation and low inertia. These coreless brushed motors are perfect for applications with high efficiency and precision control needs.

Power rating from less than 1 watt to 150 watts, diameter from 16mm to 40mm, Assun DC brushed motors can be used for various DC drive systems. Graphite and metal brushes are to be chosen for different operation conditions.



AM-CL1623MAN	AM-CL1643MAN	AM-CL2242GAN	AM-CL2845MAN
AM-CL1626MAN	AM-CL2232MAN	AM-CL2532MAN	AM-CL3570GAN
AM-CL1633MAN	AM-CL2242MAN	AM-CL2545MAN	AM-CL3570GAF
AM-CL1642MAN	AM-CL2232GAN	AM-CL2831MAN	AM-CL4071GAE

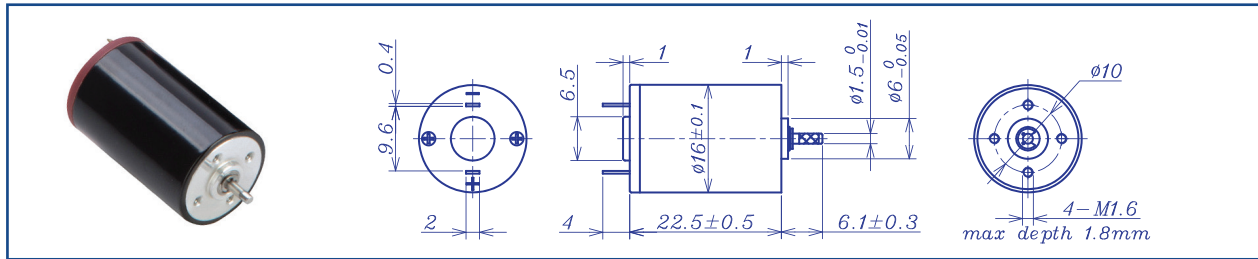


DC BRUSHED MOTOR
BRUSHED METAL SERIES

Assun Metal Brush Series Coreless motors are manufactured with coreless rotors and metal brush commutators. The high efficiency and precision character of metal brushed coreless motor made it perfect for energy critical and fast responding applications such as medical tools and robotic actuators.



AM-CL1623MAN SERIES



		Precious metal brush			Ball Bearings				
Motor Model		0109	0108	0310	0308	0610	0608	1212	
Nominal voltage	V	1.5	1.5	3	3	6	6	12	
No load speed	±12% rpm	9100	7850	10130	7690	9875	7574	12440	
No load current	Max 150% mA	60	55	35	23	22	18	14	
Recommend limit for continuous operating	Max cont. torque	mN.m	1.2	1.3	1.9	2.1	2.2	2.1	2.1
	Rated Speed	rpm	7596	6106	7674	5142	7202	4861	9839
	Rated Current	mA	850	800	700	600	400	300	250
	Rated Power	W	1.0	0.9	1.5	1.1	1.6	1.1	2.2
Starting current	mA	4839	3409	2778	1765	1418	805	1143	
Stall torque	mN.m	7	6	8	6	8	6	10	
Maximum power output	W	1.8	1.2	2.0	1.3	2.1	1.2	3.3	
Maximum Efficiency	%	79	76	79	78	77	72	79	
Terminal resistance	±12% Ω	0.31	0.44	1.08	1.7	4.23	7.45	10.5	
Inductance (1KHz)	mH	0.001	0.006	0.038	0.058	0.15	0.27	0.41	
Mechanical time constant	ms	17.6	18.7	19.0	17.2	16.9	17.7	16.9	
Moment of inertia	gcm ²	1.37	1.37	1.37	1.37	1.3	1.3	1.33	
Torque constant	mN.m/A	1.6	1.8	2.8	3.7	5.7	7.4	9.1	
Speed constant	rpm/V	6143	5319	3420	2597	1672	1291	1050	
Speed/torque gradient	rpm/mN.m	1225	1304	1323	1201	1238	1301	1211	
Weight	g	18.6	18.6	18.6	18.4	18.4	18.4	18.5	

ADDITIONAL INFORMATION

Motor thermal resistance:	41.7K/W	Motor thermal time constant:	379S
Axial (dynamic):	0.8 N	Radial (5mm from mounting face):	12 N
Press-fit force (static):	26 N	Max allowable screw depth into flange:	1.8 mm
Maximum radial play (5mm from mounting face):	≤0.02 mm	Axial play:	Preset
Maximum winding temperature:	85°C	Ambient temperature range:	-30 to 65°C
Standard rear shaft diameter:	2 mm	Standard rear shaft length "L":	0/3.7 mm

Total Length (Gearbox and Motor): L _T =L ₁ +L ₂ +L ₃			
L1:16GP	L1:20GP	L2:CL16	L3
15.9	18.8	22.50	-
23.3	23.6		
27.0	28.4		

AM-CL1623MAN Combination Scheme

Recommended Gearbox:
Planetary Gearbox:
AM-16GP
AM-20GP

Recommended Encoder:
Encoder S: AM-EN1611S***
2~3 Channels

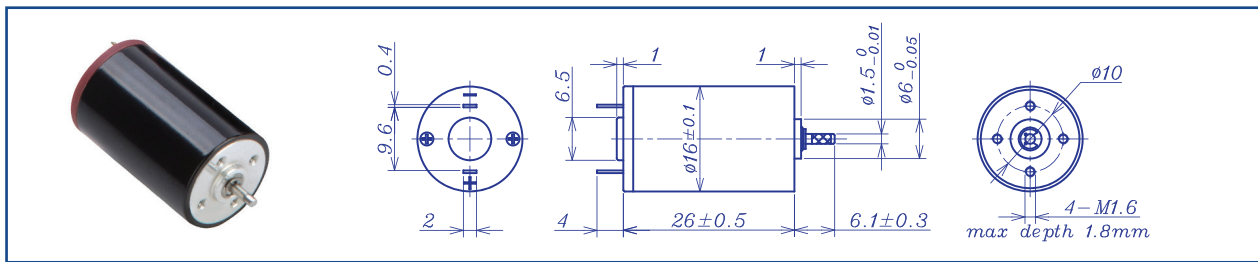
For more combination specs, visit Assun Motor website.

Remarks: Client can choose gearbox and encoder to match with this motor. Some combinations are listed here for reference.

Motor data tested at 25°C. Motor operation exceeding continuous limits will reduce life or result in damage. At elevated ambient temperatures, load current must be reduced.

Download datasheet: <https://assunmotor.com/documents-download>

AM-CL1626MAN SERIES



		Precious metal brush			Ball Bearings					
Motor Model		0109	0308	0310	0608	0610	1210	1212	2412	
Nominal voltage	V	1.5	3	3	6	6	6	12	24	
No load speed	±12% rpm	9350	8256	10340	8129	10544	10691	12075	14306	
No load current	Max 150% mA	68	25	25	10	18	10	9.2	12	
Recommend limit for continuous operating	Max cont. torque	mN.m	1.2	2.5	2.1	2.7	1.8	2.5	2.3	2.2
	Rated Speed	rpm	8117	5736	8594	6001	9134	8426	10247	12476
	Rated Current	mA	850	750	800	400	350	250	250	150
	Rated Power	W	1.0	1.5	1.9	1.7	1.7	2.2	2.4	2.9
Starting current	mA	6000	2400	4615	1500	2500	1143	1600	1091	
Stall torque	mN.m	9	8	13	10	13	12	15	17	
Maximum power output	W	2.2	1.8	3.4	2.2	3.7	3.4	4.7	6.4	
Maximum Efficiency	%	80	81	86	84	84	82	85	80	
Terminal resistance	±12% Ω	0.25	1.25	0.65	4.0	2.4	10.5	7.5	22	
Inductance (1KHz)	mH	0.003	0.031	0.016	0.15	0.095	0.4	0.29	0.85	
Mechanical time constant	ms	14.2	12.7	10.3	9.8	9.9	11.2	10.1	10.5	
Moment of inertia	gcm ²	1.3	1.2	1.2	1.2	1.2	1.2	1.2	1.2	
Torque constant	mN.m/A	1.5	3.4	2.8	7.0	5.4	10.6	9.4	15.8	
Speed constant	rpm/V	6305	2781	3465	1364	1770	899	1012	603	
Speed/torque gradient	rpm/mN.m	1041	1012	817	779	787	888	804	837	
Weight	g	22.6	22.4	22.4	22.4	22.4	22.1	22.2	22.4	

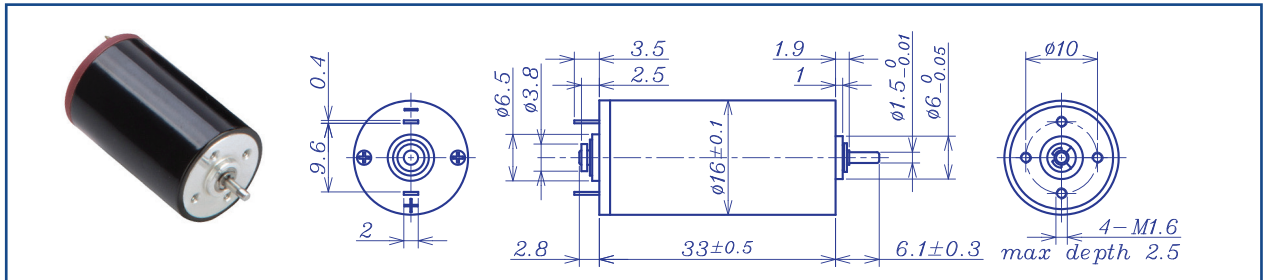
ADDITIONAL INFORMATION					
Motor thermal resistance:	37.6K/W			Motor thermal time constant:	400S
Axial (dynamic):	3.4 N			Radial (5mm from mounting face):	2.6 N
Press-fit force (static):	36 N			Max allowable screw depth into flange:	1.8 mm
Maximum radial play (5mm from mounting face):	≤0.02 mm			Axial play:	Preset
Maximum winding temperature:	85°C			Ambient temperature range:	-30 to 65°C
Standard rear shaft diameter:	2 mm			Standard rear shaft length "L":	0/3.7 mm
Total Length (Gearbox and Motor): $L_T = L_1 + L_2 + L_3$					
L1:16GP	L1:20GP		L2:CL16	L3	
15.9	18.8		26.0	-	
23.3	23.6				
27.0	28.4				
Remarks: Client can choose gearbox and encoder to match with this motor. Some combinations are listed here for reference.					
Recommended Gearbox:		Recommended Encoder:			
Planetary Gearbox:		Encoder S: AM-EN1611S***			
AM-16GP		2~3 Channels			
AM-20GP					
For more combination specs, visit Assun Motor website.					

Motor data tested at 25°C. Motor operation exceeding continuous limits will reduce life or result in damage.
At elevated ambient temperatures, load current must be reduced.

Download datasheet: <https://assunmotor.com/documents-download>

Visit Our Website and Online Shop at <https://assunmotor.com> Contact: info@assunmotor.com

AM-CL1633MAN SERIES

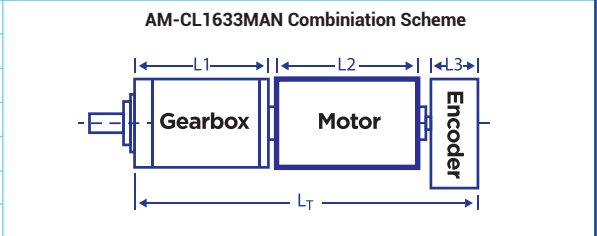


		Precious metal brush			Ball bearings				
Motor Model		0308	0305	0607	0606	0605	1207	1205	
Nominal voltage	V	3	3	6	6	6	12	12	
No load speed	±12% rpm	7700	5370	7250	5790	5280	6600	5200	
No load current	Max 150% mA	50	30	35	22	24	14	12	
Recommend limit for continuous operating	Max cont. torque	mN.m	2.9	3.3	3.5	3.7	3.5	3.2	3.6
	Rated speed	rpm	6204	3931	5775	4354	3813	5165	3683
	Rated current	mA	850	650	480	400	350	200	200
	Rated power	W	1.9	1.3	2.1	1.7	1.4	1.7	1.4
Starting current	mA	4167	2344	2222	1546	1198	870	583	
Stall torque	mN.m	15	12	17	15	1.2	15	12	
Maximum power output	W	3.1	1.7	3.2	2.3	1.7	2.5	1.7	
Maximum efficiency	%	79	79	76	78	74	76	73	
Terminal resistance	±12% Ω	0.72	1.28	2.7	3.88	5.01	13.8	20.6	
Inductance	(1KHZ) mH	0.024	0.061	0.15	0.22	0.28	0.74	1.21	
Mechanical time constant	ms	11.5	10.7	10.4	9.5	10.3	10.5	10.2	
Moment of inertia	gcm ²	2.15	2.32	2.32	2.32	2.32	2.22	2.29	
Torque constant	mN.m/A	3.7	5.3	7.8	9.8	10.6	17.1	21.5	
Speed constant	rpm/V	2598	1813	1228	979	898	559	444	
Speed/ torque gradient	rpm/mN.m	509	441	426	389	423	452	426	
Weight	g	27.9	28.7	28.7	28.6	28.7	28.1	28.6	

ADDITIONAL INFORMATION

Motor thermal resistance:	25.2K/W	Motor thermal time constant:	1286S
Axial (dynamic):	1.0 N	Radial (5mm from mounting face):	180.0 N
Press-fit force (static):	16 (90)N	Max allowable screw depth into flange:	4.5mm
Maximum radial play (5mm from mounting face):	≤0.02 mm	Axial play	0 (<8.0N)
Maximum winding temperature:	85°C	Ambient temperature range:	-30 to 65°C
Standard rear shaft diameter:	2 mm	Standard rear shaft length "L":	0/3.7 mm

Total Length (Gearbox and Motor): L _T =L ₁ +L ₂ +L ₃			
L1:16GP	L1: 20GP	L2:CL16	L3: EN16S
15.9	18.8	33.0	10.7
23.3	23.6		
27.0	28.4		



Remarks: Client can choose gearbox and encoder to match with this motor. Some combinations are listed here for reference.

Recommended Gearbox:
Planetary Gearbox:
AM-16GP
AM-20GP

Recommended Encoder:
Encoder S: AM-EN1611S***
2~3 Channels

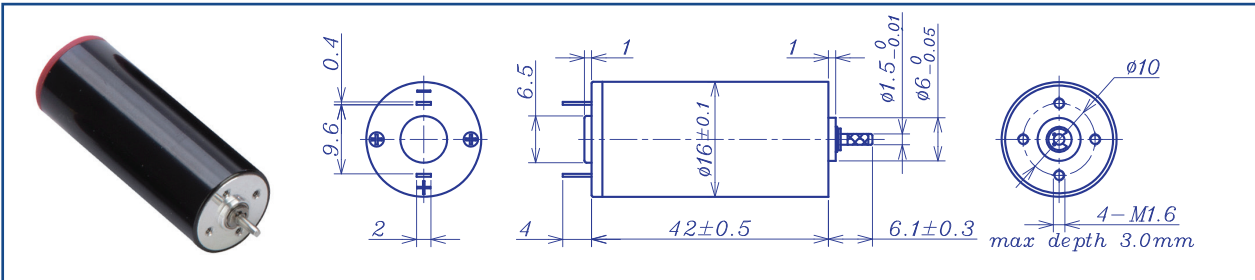
For more combination specs, visit Assun Motor website.

Motor data tested at 25°C. Motor operation exceeding continuous limits will reduce life or result in damage. At elevated ambient temperatures, load current must be reduced.

Download datasheet: <https://assunmotor.com/documents-download>

AM-CL1642MAN SERIES

DC BRUSHED MOTOR

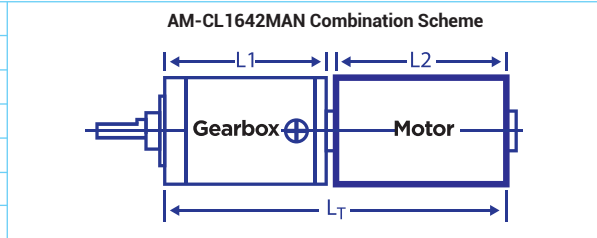


Motor Model		Precious metal brush				Ball bearings				
		0609	1210	2409	2411	3609	3611	4809	4811	
Nominal voltage	V	6	12	24	24	36	36	48	48	
No load speed	±12% rpm	9222	9952	9450	11120	9207	11682	9339	5220	
No load current	Max 150% mA	19	10.5	6.0	7.0	4.5	5.0	3.5	4.2	
Recommend limit for continuous operating	Max cont. torque	mN.m	5.3	5.0	5.2	4.2	5.4	4.3	5.2	4.3
	Rated speed	rpm	8094	8874	8393	10215	8090	10700	8122	10242
	Rated current	mA	850	450	220	210	150	150	110	110
	Rated power	W	4.5	4.7	4.5	4.5	4.6	4.8	4.4	4.6
Starting current	mA	7059	4068	1920	2500	1204	1731	821	1182	
Stall torque	mN.m	44	47	46	51	45	51	40	48	
Maximum power output	W	10.5	12.1	11.4	14.9	10.8	15.5	9.8	14.1	
Maximum efficiency	%	90	90	89	90	88	90	87	88	
Terminal resistance	±12% Ω	0.85	2.95	12.5	9.6	29.9	20.8	58.5	40.6	
Inductance	(1KHZ) mH	0.054	0.2	0.95	0.66	2.22	2.22	3.8	3.8	
Mechanical time constant	ms	7.0	6.7	6.4	6.8	6.1	7.3	7.1	9.6	
Moment of inertia	gcm ²	3.14	3.01	3.01	3.01	2.8	3.01	2.9	3.9	
Torque constant	mN.m/A	6.2	11.5	24.2	20.6	37.2	29.3	48.9	40.6	
Speed constant	rpm/V	1541	831	395	465	257	325	195	235	
Speed/ torque gradient	rpm/mN.m	211	214	204	217	206	231	234	235	
Weight	g	39.0	38.5	38.5	38.5	38.5	38.6	37.9	38.1	

ADDITIONAL INFORMATION

Motor thermal resistance:	K/W	Motor thermal time constant:	S
Axial (dynamic):	3.4 N	Radial (5mm from mounting face):	6.0 N
Press-fit force (static):	36N	Max allowable screw depth into flange:	3.0 mm
Maximum radial play (5mm from mounting face):	≤0.02 mm	Axial play	Preset
Maximum winding temperature:	85°C	Ambient temperature range:	-30 to 65°C
Standard rear shaft diameter:	N/A	Standard rear shaft length "L":	N/A

Total Length (Gearbox and Motor): L _T =L ₁ +L ₂ +L ₃			
L1:16GP	L1: 20GP	L2:CL16	L3
15.9	18.8	42.0	
23.3	23.6		
27.0	28.4		



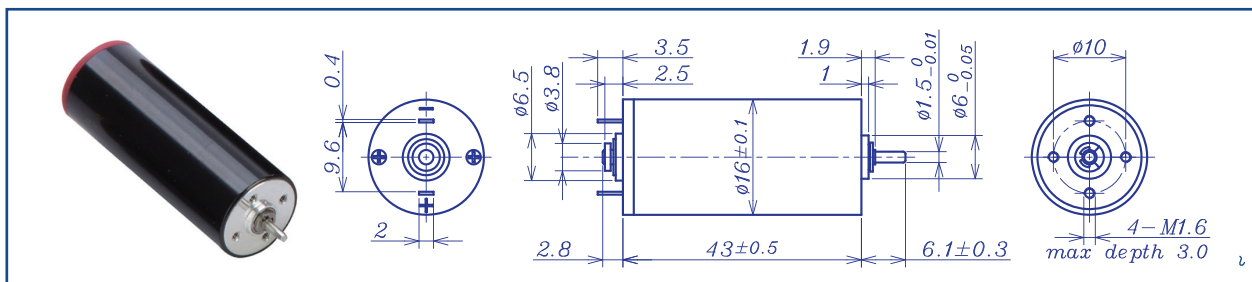
Remarks: Client can choose gearbox and encoder to match with this motor. Some combinations are listed here for reference.

Recommended Gearbox:
Planetary Gearbox:
AM-16GP
AM-20GP
For more combination specs, visit Assun Motor website.

Motor data tested at 25°C. Motor operation exceeding continuous limits will reduce life or result in damage.
At elevated ambient temperatures, load current must be reduced.

Download datasheet: <https://assunmotor.com/documents-download>

AM-CL1643MAN SERIES



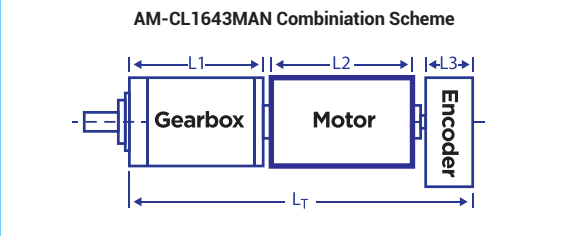
Precious metal brush Ball bearings

Motor Model		0307	0305	0607	0605	0907	1206	1204	2607
Nominal voltage	V	3	3	6	6	9	12	12	26
No load speed	±12% rpm	6730	5242	6620	4987	6878	6360	4400	7080
No load current	Max 150% mA	65	50	32	23	24	16	10	10
Recommend limit for continuous operating	Max cont. torque	mN.m	3.3	4.0	5.3	5.4	5.3	5.4	5.2
	Rated speed	rpm	5768	4058	5207	3607	5462	5008	2728
	Rated current	mA	850	800	650	500	450	320	250
	Rated power	W	2.0	1.7	2.9	2.0	3.0	2.8	1.8
Starting current	mA	5556	3371	2927	1754	2093	1446	642	718
Stall torque	mN.m	23	18	25	20	26	25	16	24
Maximum power output	W	4.1	2.5	4.3	2.6	4.6	4.2	1.9	4.5
Maximum efficiency	%	80	77	80	78	80	80	77	78
Terminal resistance	±12% Ω	0.54	0.89	2.05	3.42	4.3	8.3	18.7	36.7
Inductance	(1KHZ) mH	0.018	0.037	0.11	0.21	0.24	0.52	1.1	2.01
Mechanical time constant	ms	9.3	9.0	8.2	8.2	8.7	7.7	8.3	8.7
Moment of inertia	gcm ²	3.04	2.94	2.94	3.11	3.07	2.94	2.91	2.87
Torque constant	mN.m/A	4.2	5.4	8.6	11.4	12.4	17.8	25.6	34.6
Speed constant	rpm/V	2270	1774	1116	841	773	536	372	276
Speed/ torque gradient	rpm/mN.m	291	293	267	253	269	250	272	289
Weight	g	38.9	38.6	38.7	40.1	40.1	38.7	38.5	38.4

ADDITIONAL INFORMATION

Motor thermal resistance:	24.9K/W	Motor thermal time constant:	412 S
Axial (dynamic):	1.0 N	Radial (5mm from mounting face):	1.8 N
Press-fit force (static):	16(70)N	Max allowable screw depth into flange:	3.0 mm
Maximum radial play (5mm from mounting face):	≤0.02 mm	Axial play	Preset
Maximum winding temperature:	85°C	Ambient temperature range:	-30 to 65°C
Standard rear shaft diameter:	2 mm	Standard rear shaft length "L":	0/3.7 mm

Total Length (Gearbox and Motor): L _T =L1+L2+L3			
L1:16GP	L1: 20GP	L2:CL16	L3: EN16S
15.9	18.8	43.0	10.7
23.3	23.6		
27.0	28.4		



Remarks: Client can choose gearbox and encoder to match with this motor. Some combinations are listed here for reference.

Recommended Gearbox:
Planetary Gearbox:
AM-16GP
AM-20GP

Recommended Encoder:
Encoder S: AM-EN1611S***
2~3 Channels

For more combination specs, visit Assun Motor website.

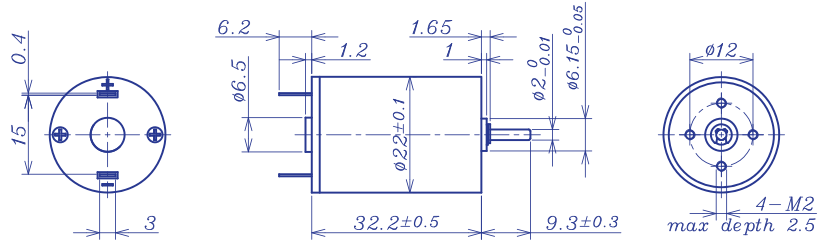
Motor data tested at 25°C. Motor operation exceeding continuous limits will reduce life or result in damage. At elevated ambient temperatures, load current must be reduced.

Download datasheet: <https://assunmotor.com/documents-download>

Visit Our Website and Online Shop at <https://assunmotor.com> Contact: info@assunmotor.com

AM-CL2232MAN SERIES

DC BRUSHED MOTOR

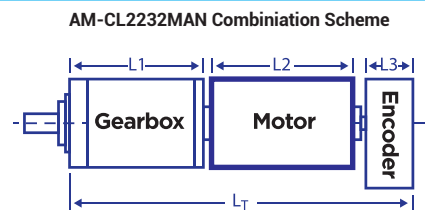


Motor Model		Precious metal brush			Ball bearings					
		0308	0305	0607	0605	1207	1205	2407	2406	
Nominal voltage	V	3	3	6	6	12	12	24	24	
No load speed	±12% rpm	7600	4500	6998	5006	6548	4986	7048	6167	
No load current	Max 150% mA	55	30	27	14	10.2	7	6.5	8.5	
Recommend limit for continuous operating	Max cont. torque	mN.m	3.2	5.2	5.9	7.2	6.8	7.8	6.9	7.1
	Rated speed	rpm	6998	3745	6083	3843	5448	3769	5901	5041
	Rated current	mA	900	850	750	650	400	350	220	200
	Rated power	W	2.3	2.0	3.8	2.9	3.9	3.1	4.3	3.7
Starting current	mA	10714	4918	5556	2752	2330	1412	1319	1057	
Stall torque	mN.m	40	31	45	31	40	32	42	39	
Maximum power output	W	8.0	3.6	8.3	4.1	6.9	4.2	7.8	6.2	
Maximum efficiency	%	86	85	87	86	87	86	86	83	
Terminal resistance	±12% Ω	0.28	0.61	1.08	2.18	5.15	8.50	18.2	22.7	
Inductance	(1KHZ) mH	0.015	0.037	0.68	0.14	0.32	0.54	1.1	1.38	
Mechanical time constant	ms	11.4	9.2	9.8	9.9	9.8	9.5	9.6	9.3	
Moment of inertia	gcm ²	5.75	6.02	6.02	5.88	5.75	5.82	5.55	5.55	
Torque constant	mN.m/A	3.8	6.3	8.1	11.4	17.4	22.9	32.4	36.9	
Speed constant	rpm/V	2546	1509	1172	839	548	418	295	259	
Speed/torque gradient	rpm/mN.m	190.1	145.5	155.4	160.5	162.0	155.2	166.0	159.5	
Weight	g	56.4	56.9	56.9	56.7	56.5	56.6	56.3	56.3	

ADDITIONAL INFORMATION

Motor thermal resistance:	24.9K/W	Motor thermal time constant:	685 S
Axial (dynamic):	5.9 N	Radial (5mm from mounting face):	8.0 N
Press-fit force (static):	16(90)N	Max allowable screw depth into flange:	2.5 mm
Maximum radial play (5mm from mounting face):	≤0.02 mm	Axial play	Preset
Maximum winding temperature:	85°C	Ambient temperature range:	-30 to 65°C
Standard rear shaft diameter:	2 mm	Standard rear shaft length "L":	0/3.7 mm

Total Length (Gearbox and Motor): L _T =L ₁ +L ₂ +L ₃			
L1:20GP	L1: 24GP	L2:CL22	L3: EN22S
18.8	22.2	32.2	10.7
23.6	27.4		
28.4	32.6		



Recommended Gearbox: Planetary Gearbox: AM-20GP, AM-24GP
Recommended Encoder: Encoder S: AM-EN2211S*** 2~3 Channels

For more combination specs, visit Assun Motor website.

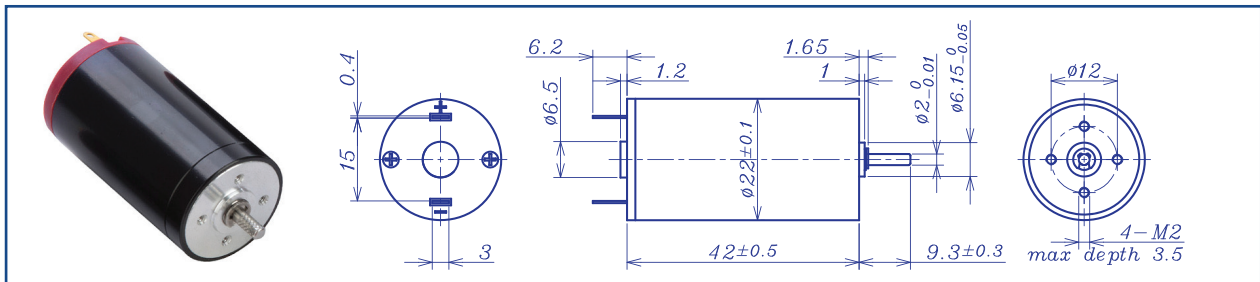
Remarks: Client can choose gearbox and encoder to match with this motor. Some combinations are listed here for reference.

Motor data tested at 25°C. Motor operation exceeding continuous limits will reduce life or result in damage. At elevated ambient temperatures, load current must be reduced.

Download datasheet: <https://assunmotor.com/documents-download>

Visit Our Website and Online Shop at <https://assunmotor.com> Contact: info@assunmotor.com

AM-CL2242MAN SERIES

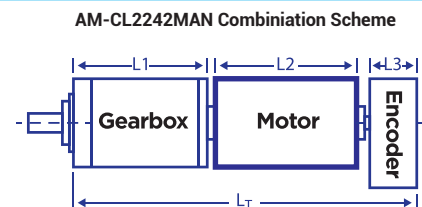


Motor Model		Precious metal brush		Ball bearings						
		0606	0606	1207	1205	2407	2405	4806	4804	
Nominal voltage	V	6	6	12	12	24	24	48	48	
No load speed	±12% rpm	6426	5045	7150	5457	7125	4743	6457	4487	
No load current	Max 150% mA	46	30	24	20	13	7.5	6.5	3.7	
Recommend limit for continuous operating	Max cont. torque	mN.m	8.3	10.4	12.4	13.2	14.0	15.0	13.6	14.9
	Rated speed	rpm	5833	4369	6352	4657	6240	3843	5615	3591
	Rated current	mA	980	950	800	650	450	320	200	150
	Rated power	W	5.1	4.8	8.2	6.4	9.2	6.0	8.0	5.6
Starting current	mA	10169	6818	6977	4317	3529	1655	1463	736	
Stall torque	mN.m	90	77	111	90	113	79	103	74	
Maximum power output	W	15.1	10.1	20.8	12.8	21.0	9.8	17.4	8.7	
Maximum efficiency	%	87	87	89	87	88	87	87	86	
Terminal resistance	±12% Ω	0.59	0.88	1.72	2.78	6.80	14.5	32.8	65.2	
Inductance	(1KHZ) mH	0.36	0.09	0.23	0.44	0.7	3.01	4.01	5.01	
Mechanical time constant	ms	6.5	6.2	6.0	5.8	6.0	5.5	5.8	5.8	
Moment of inertia	gcm ²	8.66	8.92	8.92	9.06	9.06	8.79	8.73	9.12	
Torque constant	mN.m/A	8.9	11.3	16.0	20.9	32.0	48.1	70.5	101.6	
Speed constant	rpm/V	1076	846	598	457	298	199	135	94	
Speed/ torque gradient	rpm/mN.m	71.5	66.0	64.4	60.8	63.2	59.8	63.1	60.3	
Weight	g	79.5	79.8	79.8	80.1	80.1	79.6	79.5	80.1	

ADDITIONAL INFORMATION

Motor thermal resistance:	18.4 K/W	Motor thermal time constant:	798 S
Axial (dynamic):	5.9 N	Radial (5mm from mounting face):	8.0 N
Press-fit force (static):	16(70)N	Max allowable screw depth into flange:	3.5 mm
Maximum radial play (5mm from mounting face):	≤0.02 mm	Axial play	Preset
Maximum winding temperature:	85°C	Ambient temperature range:	-30 to 65°C
Standard rear shaft diameter:	2 mm	Standard rear shaft length "L":	0/3.7 mm

Total Length (Gearbox and Motor): L _T =L ₁ +L ₂ +L ₃			
L1:20GP	L1: 24GP	L2:CL22	L3: EN22S
18.8	22.2	42.0	10.7
23.6	27.4		
28.4	32.6		



Recommended Gearbox: Planetary Gearbox:
AM-20GP
AM-24GP

Recommended Encoder: Encoder S: AM-EN2211S***
2~3 Channels

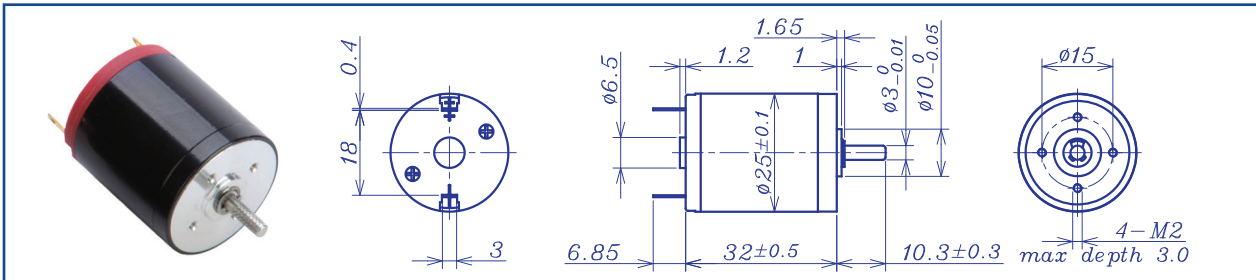
For more combination specs, visit Assun Motor website.

Motor data tested at 25°C. Motor operation exceeding continuous limits will reduce life or result in damage.
At elevated ambient temperatures, load current must be reduced.

Download datasheet: <https://assunmotor.com/documents-download>

Visit Our Website and Online Shop at <https://assunmotor.com> Contact: info@assunmotor.com

AM-CL2532MAN SERIES



		Precious metal brush				Ball bearings					
Motor Model			0306	0304	0606	0604	1206	1204	2406	2405	
Nominal voltage	V		3	3	6	6	12	12	24	24	
No load speed	±12% rpm		6010	3993	6073	4155	6592	4070	6166	4850	
No load current	Max 150% mA		120	74	53	37	24	20	15	9.5	
Recommend limit	Max cont. torque	mN.m	3.9	6.2	6.0	7.6	6.5	1	7.7	7.5	11.2
for continuous operating	Rated speed	rpm	5420	3162	5279	3125	5717	3035	5110	3315	
	Rated current	mA	950	950	700	600	400	300	220	250	
	Rated power	W	2.2	2.0	3.3	2.5	3.9	2.5	4.0	3.9	
Starting current	mA		8571	4286	5000	2308	2857	1121	1212	769	
Stall torque	mN.m		40	30	46	31	49	30	44	35	
Maximum power output	W		6.2	3.1	7.3	3.4	8.4	3.2	7.1	4.5	
Maximum efficiency	%		78	75	80	76	83	75	79	79	
Terminal resistance	±12% Ω		0.35	0.7	1.2	2.6	4.2	10.7	19.8	31.2	
Inductance	(1KHZ) mH		0.014	0.048	0.086	0.02	0.34	0.87	1.48	2.36	
Mechanical time constant	ms		17.1	14.8	13.9	15.0	14.4	14.1	14.8	13.3	
Moment of inertia	gcm ²		10.8	10.5	10.1	10.6	10.2	10.1	10.1	9.28	
Torque constant	mN.m/A		4.7	7.1	9.3	13.6	17.2	27.7	36.7	46.7	
Speed constant	rpm/V		2032	1354	1023	704	554	345	260	205	
Speed/torque gradient	rpm/mN.m		151.3	134.5	131.5	134.9	135.0	133.6	140.3	136.8	
Weight	g		73.3	72.9	72.4	73.0	72.6	72.4	72.4	72.2	

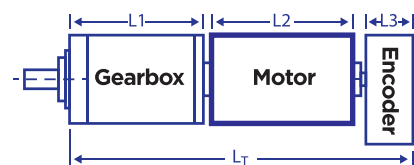
ADDITIONAL INFORMATION

Motor thermal resistance:	16.6 K/W	Motor thermal time constant:	780 S
Axial (dynamic):	7.3 N	Radial (5mm from mounting face):	8.0N
Press-fit force (static):	16(120)N	Max allowable screw depth into flange:	3.0mm
Maximum radial play (5mm from mounting face):	≤0.02 mm	Axial play	Preset
Maximum winding temperature:	85°C	Ambient temperature range:	-30 to °C65
Standard rear shaft diameter:	1.5 mm	Standard rear shaft length "L":	0/3.7 mm

Total Length (Gearbox and Motor): $L_T = L_1 + L_2 + L_3$

L1:24GP	L1:28GP	L2:CL25	L3: EN16S
22.2	25.9	32.0	10.7
27.4	33.1		
32.6	40.3		

AM-CL2532MAN Combination Scheme



Recommended Gearbox:
Planetary Gearbox:
AM-24GP
AM-28GP

Recommended Encoder:
Encoder S: AM-EN1611S***
2~3 Channels

For more combination specs, visit Assun Motor website.

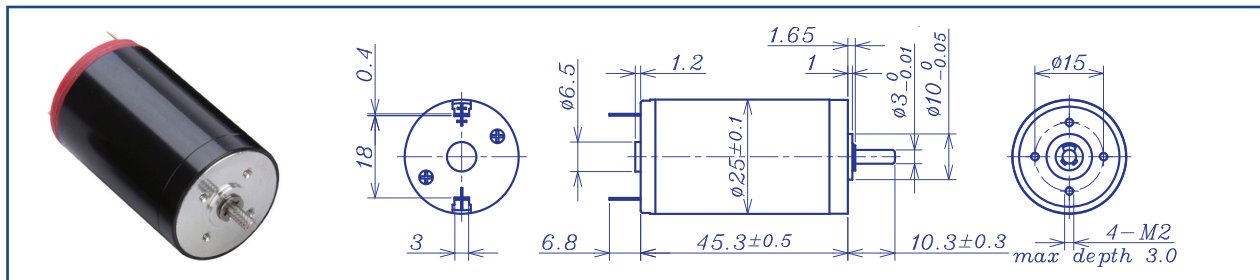
Remarks: Client can choose gearbox and encoder to match with this motor. Some combinations are listed here for reference.

Motor data tested at 25°C. Motor operation exceeding continuous limits will reduce life or result in damage.
At elevated ambient temperatures, load current must be reduced.

Download datasheet: <https://assunmotor.com/documents-download>

Visit Our Website and Online Shop at <https://assunmotor.com> Contact: info@assunmotor.com

AM-CL2545MAN SERIES



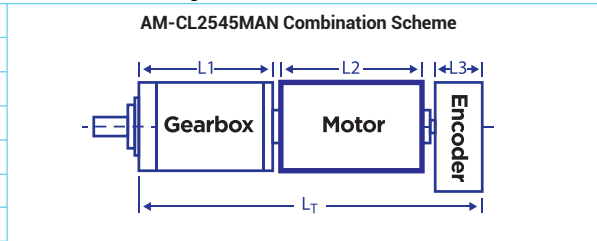
		Precious metal brush			Ball bearings				
Motor Model		0606	0604	1206	1204	2406	2404	4807	4805

Motor Model		0606	0604	1206	1204	2406	2404	4807	4805
Nominal voltage	V	6	6	12	12	24	24	48	48
No load speed	±12% rpm	5960	4070	5920	4100	6020	4250	6850	4900
No load current	Max 150% mA	88	47	38	26	24	14	13	7
Recommend limit	Max cont. torque	mN.m	8.2	12.6	17.6	18.2	18.8	22.3	20.4
for continuous operating	Rated speed	rpm	5641	3583	5251	3461	5374	3472	6102
	Rated current	mA	950	950	950	680	520	430	320
	Rated power	W	4.9	4.7	9.7	6.6	10.5	8.1	13.1
Starting current		mA	16216	7595	8108	4225	4461	2286	2824
Stall torque		mN.m	154.2	105.6	155.5	116.6	168.0	121.8	187.2
Maximum power output		W	24.1	11.3	24.1	12.5	26.5	13.5	33.6
Maximum efficiency		%	86	85	87	85	86	85	87
Terminal resistance	±12%	Ω	0.37	0.79	1.48	2.84	5.38	10.5	17.0
Inductance	(1KHZ)	mH	0.03	0.07	0.15	0.36	0.60	1.19	2.05
Mechanical time constant		ms	5.0	5.4	5.3	5.2	5.1	5.0	5.2
Moment of inertia		gcm ²	12.3	13.5	13.5	13.5	13.5	13.6	13.6
Torque constant		mN.m/A	9.6	14.0	19.3	27.8	37.9	53.6	66.6
Speed constant		rpm/V	999	683	496	344	252	178	143
Speed/torque gradient		rpm/mN.m	38.6	38.5	38.1	35.1	35.8	34.9	36.6
Weight		g	108	108	108	108	108	108	108

ADDITIONAL INFORMATION

Motor thermal resistance:	18.6 K/W	Motor thermal time constant:	969 S
Axial (dynamic):	7.3 N	Radial (5mm from mounting face):	20.0 N
Press-fit force (static):	60(120)N	Max allowable screw depth into flange:	3.0 mm
Maximum radial play (5mm from mounting face):	≤0.02 mm	Axial play	Preset
Maximum winding temperature:	85°C	Ambient temperature range:	-30 to °C65
Standard rear shaft diameter:	1.5 mm	Standard rear shaft length "L":	0/3.7 mm

Total Length (Gearbox and Motor): L _T =L1+L2+L3			
L1:24GP	L1: 28GP	L2:CL25	L3: EN16S
22.2	25.9	45.3	10.7
27.4	33.1		
32.6	40.3		



Remarks: Client can choose gearbox and encoder to match with this motor. Some combinations are listed here for reference.

Recommended Gearbox:
Planetary Gearbox:
AM-24GP
AM-28GP

Recommended Encoder:
Encoder S: AM-EN1611S***
2~3 Channels

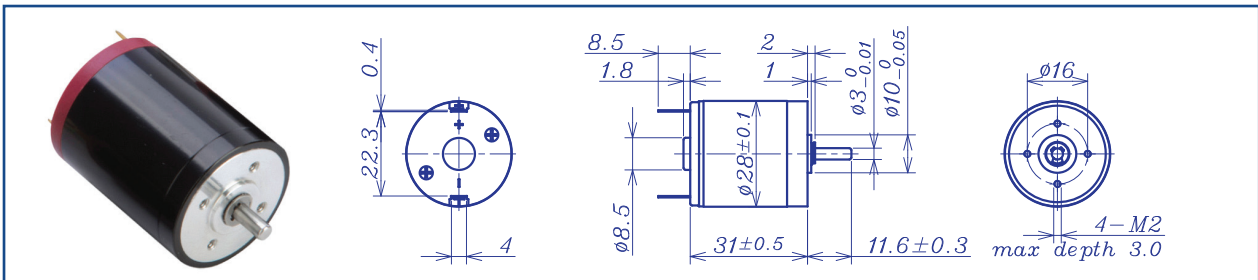
For more combination specs, visit Assun Motor website.

Motor data tested at 25°C. Motor operation exceeding continuous limits will reduce life or result in damage.
At elevated ambient temperatures, load current must be reduced.

Download datasheet: <https://assunmotor.com/documents-download>

Visit Our Website and Online Shop at <https://assunmotor.com> Contact: info@assunmotor.com

AM-CL2831MAN SERIES



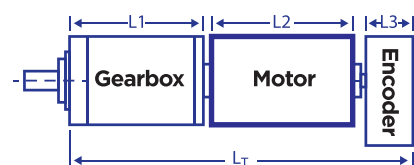
Motor Model		Precious metal brush			Ball bearings				
		0606	0604	1207	1204	2406	2404	4806	4805
Nominal voltage	V	6	6	12	12	24	24	48	48
No load speed	±12% rpm	6276	3960	7437	4000	6050	4288	6430	5704
No load current	Max 150% mA	45	25	30	13	10	6.5	6.5	5.3
Recommend limit	Max cont. torque mN.m	5.9	8.3	5.7	8.1	9.0	11.3	10.2	9.1
for continuous operating	Rated speed rpm	5690	3195	6860	3199	5186	3130	5731	4742
	Rated current mA	700	600	400	300	250	220	150	120
	Rated power W	3.5	2.8	4.1	2.7	4.9	3.7	5.7	4.5
Starting current	mA	7059	3000	4800	1446	1690	797	878	686
Stall torque	mN.m	64	43	73	41	63	42	62	54
Maximum power output	W	10.5	4.4	14.2	4.3	10.0	4.7	10.4	8.1
Maximum efficiency	%	85	83	85	82	85	83	84	83
Terminal resistance	±12% Ω	0.85	2.0	2.5	8.3	14.2	30.1	54.7	70
Inductance	(1KHZ) mH	0.063	0.17	0.19	0.69	1.2	2.4	4.1	5.1
Mechanical time constant	ms	17.1	16.1	16.1	16.1	15.6	16.4	17.3	17.7
Moment of inertia	gcm ²	16.6	16.6	15.6	15.6	15.6	15.3	15.8	16.1
Torque constant	mN.m/A	9.1	14.3	15.3	28.4	37.7	53.0	70.8	79.7
Speed constant	rpm/V	1053	666	624	336	254	180	135	120
Speed/torque gradient	rpm/mN.m	98.6	92.8	101.8	98.3	95.6	102.3	104.3	105.1
Weight	g	86.2	86.2	85.3	85.3	85.3	85	85.3	85.2

ADDITIONAL INFORMATION

Motor thermal resistance:	19.3 K/W	Motor thermal time constant:	817.2 S
Axial (dynamic):	7.3 N	Radial (5mm from mounting face):	24.0 N
Press-fit force (static):	60(120)N	Max allowable screw depth into flange:	3.0 mm
Maximum radial play (5mm from mounting face):	≤0.02 mm	Axial play	Preset
Maximum winding temperature:	85°C	Ambient temperature range:	-30 to °C65
Standard rear shaft diameter:	1.5 mm	Standard rear shaft length "L":	0/3.7 mm

Total Length (Gearbox and Motor): L _T =L1+L2+L3			
L1:28GP	L1: 32GP	L2:CL28	L3: EN16S
25.9	27.4	31.0	10.7
33.1	35.9		
40.3	44.4		

AM-CL2831MAN Combination Scheme



Recommended Gearbox: Planetary Gearbox: AM-28GP, AM-32GP
Recommended Encoder: Encoder S: AM-EN1611S*** 2~3 Channels

For more combination specs, visit Assun Motor website.

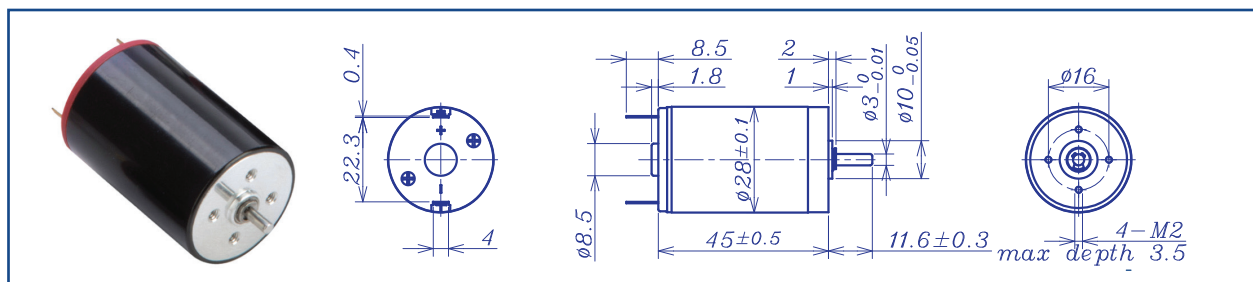
Remarks: Client can choose gearbox and encoder to match with this motor. Some combinations are listed here for reference.

Motor data tested at 25°C. Motor operation exceeding continuous limits will reduce life or result in damage.
 At elevated ambient temperatures, load current must be reduced.

Download datasheet: <https://assunmotor.com/documents-download>

Visit Our Website and Online Shop at <https://assunmotor.com> Contact: info@assunmotor.com

AM-CL2845MAN SERIES



Motor Model	Precious metal brush					Ball bearings				
		0606	0604	1206	1204	2406	2404	4806	4805	
Nominal voltage	V	6	6	12	12	24	24	48	48	
No load speed	±12% rpm	6150	4450	6240	4350	5960	4536	6520	4900	
No load current	Max 150% mA	91	59	53	35	25	12	14	9	
Recommend limit	Max cont. torque	mN.m	8.0	11.4	16.4	21.6	22.8	24.6	29.1	29.9
for continuous	Rated speed	rpm	5911	4151	5837	3794	5396	3944	5834	4097
operating	Rated current	mA	950	950	950	860	620	500	430	330
	Rated power	W	4.9	5.0	10.0	8.6	12.9	10.2	17.8	12.8
Starting current	mA	22222	13333	13953	6486	6316	3750	3967	1967	
Stall torque	mN.m	205.3	170.2	254.3	169.0	240.9	188.3	276.9	182.3	
Maximum power output	W	33.1	19.8	41.5	19.3	37.6	22.4	47.3	23.4	
Maximum efficiency	%	88	87	88	86	88	89	88	87	
Terminal resistance	±12% Ω	0.27	0.45	0.86	1.85	3.80	6.4	12.1	24.4	
Inductance	(1KHZ) mH	0.02	0.05	0.11	0.21	0.47	0.77	1.47	3.00	
Mechanical time constant	ms	6.3	6.0	5.2	5.3	5.1	5.0	4.8	5.3	
Moment of inertia	gcm ²	20.1	21.8	20.4	19.8	19.5	19.8	19.5	19.0	
Torque constant	mN.m/A	9.3	12.8	18.3	26.2	38.3	50.4	70.1	93.1	
Speed constant	rpm/V	1029	745	522	364	249	190	136	103	
Speed/torque gradient	rpm/mN.m	30.0	26.2	24.5	25.7	24.7	24.1	23.5	26.9	
Weight	g	140	140	136	136	136	136	136	136	

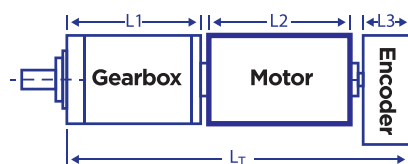
ADDITIONAL INFORMATION

Motor thermal resistance:	15.6 K/W	Motor thermal time constant:	1086 S
Axial (dynamic):	7.3 N	Radial (5mm from mounting face):	28.0 N
Press-fit force (static):	60(120)N	Max allowable screw depth into flange:	3.5 mm
Maximum radial play (5mm from mounting face):	≤0.02 mm	Axial play:	Preset
Maximum winding temperature:	85°C	Ambient temperature range:	-30 to °C65
Standard rear shaft diameter:	1.5 mm	Standard rear shaft length "L":	0/3.7 mm

Total Length (Gearbox and Motor): $L_T=L_1+L_2+L_3$

L1:28GP	L1:32GP	L2:CL28	L3: EN16S
25.9	27.4	45.0	10.7
33.1	35.9		
40.3	44.4		

AM-CL2845MAN Combination Scheme



Recommended Gearbox:
Planetary Gearbox:
AM-28GP
AM-32GP

Recommended Encoder:
Encoder S: AM-EN1611S***
2~3 Channels

For more combination specs, visit Assun Motor website.

Remarks: Client can choose gearbox and encoder to match with this motor. Some combinations are listed here for reference.

Motor data tested at 25°C. Motor operation exceeding continuous limits will reduce life or result in damage.
At elevated ambient temperatures, load current must be reduced.

Download datasheet: <https://assunmotor.com/documents-download>

Visit Our Website and Online Shop at <https://assunmotor.com> Contact: info@assunmotor.com

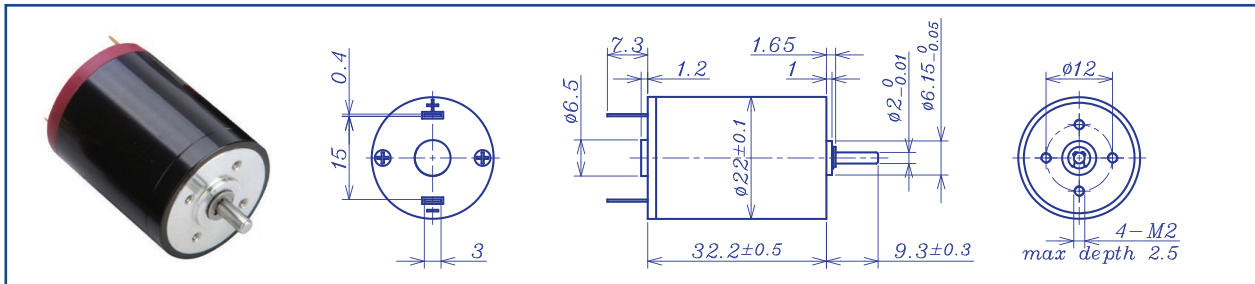
DC BRUSHED CORELESS MOTOR —
GRAPHITE BRUSH SERIES

Assun Graphite Brush Series Coreless motors are manufactured with coreless rotors and Graphite brush commutators. Benefited from the graphite brushes, these motors are more robust and can operate in higher current which lead to higher torque and power output. It's ideal for applications that need high power output and operate in harsh environments.



AM-CL2232GAN SERIES

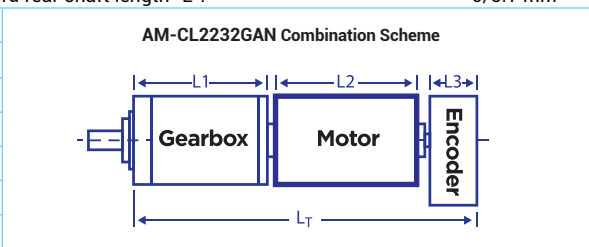
DC BRUSHED MOTOR



		Graphite brush		Ball Bearings				
Motor Model		0609	0606	1209	1206	2409	2406	
Nominal voltage	V	6	6	12	12	24	24	
No load speed ±12%	rpm	8622	6285	8638	5735	9183	6132	
No load current Max 150%	mA	87	51	45	25	36	19	
Recommend limit for continuous operating	Max cont. torque	mN.m	5.0	6.7	7.3	8.4	7.3	8.5
	Rated Speed	rpm	7735	5093	7385	4229	7988	4627
	Rated Current	mA	850	800	600	450	320	250
	Rated Power	W	4.1	3.6	5.6	3.7	6.1	4.1
Starting current	mA	7500	4000	3871	1644	2286	960	
Stall torque	mN.m	49	36	50	32	56	34	
Maximum power output	W	11.0	5.8	11.3	4.8	13.4	5.5	
Maximum Efficiency	%	80	79	80	77	80	74	
Terminal resistance ±12%	Ω	0.8	1.5	3.1	7.3	10.5	25.0	
Inductance (1KH ₂)	mH	0.36	0.09	0.23	0.44	0.70	1.5	
Mechanical time constant	ms	9.5	9.5	9.3	9.7	8.9	9.6	
Moment of inertia	gcm ²	5.15	5.13	5.15	5.15	5.15	5.14	
Torque constant	mN.m/A	6.6	9.0	13.1	19.7	24.7	36.6	
Speed constant	rpm/V	1454	1061	728	485	387	261	
Speed/torque gradient	rpm/mN.m	177.1	176.8	172.2	180.0	164.7	177.9	
Weight	g	57.0	57.1	56.5	57.0	56.8	57.0	

ADDITIONAL INFORMATION			
Motor thermal resistance:	24.5K/W	Motor thermal time constant:	685S
Axial (dynamic):	5.9 N	Radial (5mm from mounting face):	8.0 N
Press-fit force (static):	16(90) N	Max allowable screw depth into flange:	2.5 mm
Maximum radial play (5mm from mounting face):	≤0.02 mm	Axial play:	Preset
Maximum winding temperature:	85°C	Ambient temperature range:	-30 to 65°C
Standard rear shaft diameter:	2 mm	Standard rear shaft length "L":	0/3.7 mm

Total Length (Gearbox and Motor): L _T =L ₁ +L ₂ +L ₃				
L1:20GP	L1:24GP		L2:CL22	L3:EN225
18.8	22.2		32.2	10.7
23.6	27.4			
28.4	32.6			



Remarks: Client can choose gearbox and encoder to match with this motor. Some combinations are listed here for reference.

Recommended Gearbox:
Planetary Gearbox:
AM-20GP
AM-24GP

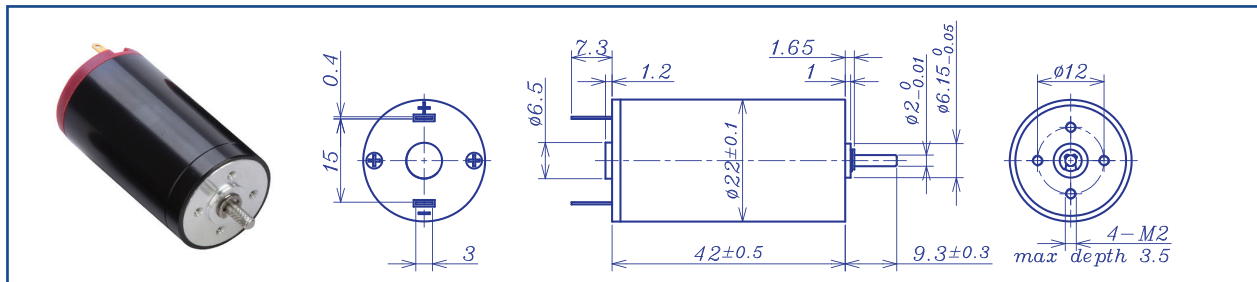
Recommended Encoder:
Encoder S: AM-EN2211S***
2~3 Channels

For more combination specs, visit Assun Motor website.

Motor data tested at 25°C. Motor operation exceeding continuous limits will reduce life or result in damage.
At elevated ambient temperatures, load current must be reduced.

Download datasheet: <https://assunmotor.com/documents-download>

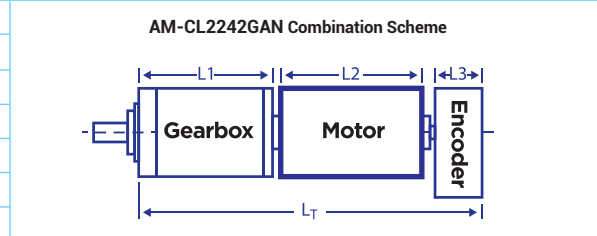
AM-CL2242GAN Series



		Graphite brush				Ball Bearings				
Motor Model		0609	0606	1209	1206	2408	2406	4810	4805	
Nominal voltage	V	6	6	12	12	24	24	48	48	
No load speed	±12% rpm	9020	5720	9596	5818	8100	6260	9732	5260	
No load current	Max 150% mA	130	78	77	45	19	22	18	8.5	
Recommend limit for continuous operating	Max cont. torque	mN.m	7.4	11.1	7.4	11.8	12.1	11.9	9.9	14.8
	Rated Speed	rpm	8453	5019	9044	5078	7340	5501	9105	4398
	Rated Current	mA	1300	1200	700	650	450	350	230	180
	Rated Power	W	6.5	5.9	7.0	6.3	9.3	6.9	9.5	6.8
Starting current	mA	18750	9231	10909	4800	4615	2727	3310	1055	
Stall torque	mN.m	117	91	128	93	130	98	154	90	
Maximum power output	W	27.7	13.6	32.3	14.1	27.5	16.1	39.3	12.5	
Maximum Efficiency	%	84	82	84	82	88	83	86	83	
Terminal resistance	±12% Ω	0.32	0.65	1.10	2.50	5.20	8.80	14.5	45.5	
Inductance (1KHz)	mH	0.014	0.046	0.075	0.023	0.47	0.81	1.35	4.45	
Mechanical time constant	ms	7.1	5.8	6.7	5.9	5.7	6.0	5.8	5.5	
Moment of inertia	gcm ²	8.86	8.73	8.61	8.99	8.73	8.99	8.79	9.06	
Torque constant	mN.m/A	6.3	9.9	11.9	19.5	28.2	36.3	46.8	86.4	
Speed constant	rpm/V	1514	961	805	489	339	263	204	110	
Speed/torque gradient	rpm/mN.m	76.8	62.9	74.7	62.7	62.5	63.7	63.1	58.2	
Weight	g	80.2	80.1	79.8	80.4	80.1	80.4	80.1	80.5	

ADDITIONAL INFORMATION			
Motor thermal resistance:	18.4 K/W	Motor thermal time constant:	798 S
Axial (dynamic):	5.9 N	Radial (5mm from mounting face):	8.0 N
Press-fit force (static):	16(70) N	Max allowable screw depth into flange:	3.5 mm
Maximum radial play (5mm from mounting face):	≤0.02 mm	Axial play:	Preset
Maximum winding temperature:	85°C	Ambient temperature range:	-30 to 65°C
Standard rear shaft diameter:	2 mm	Standard rear shaft length "L":	0/3.7 mm

Total Length (Gearbox and Motor): L _T =L1+L2+L3			
L1:20GP	L1:24GP	L2:CL22	L3:EN22S
18.8	22.2	42.0	10.7
23.6	27.4		
28.4	32.6		



Remarks: Client can choose gearbox and encoder to match with this motor. Some combinations are listed here for reference.

Recommended Gearbox:
 Planetary Gearbox:
 AM-20GP
 AM-24GP

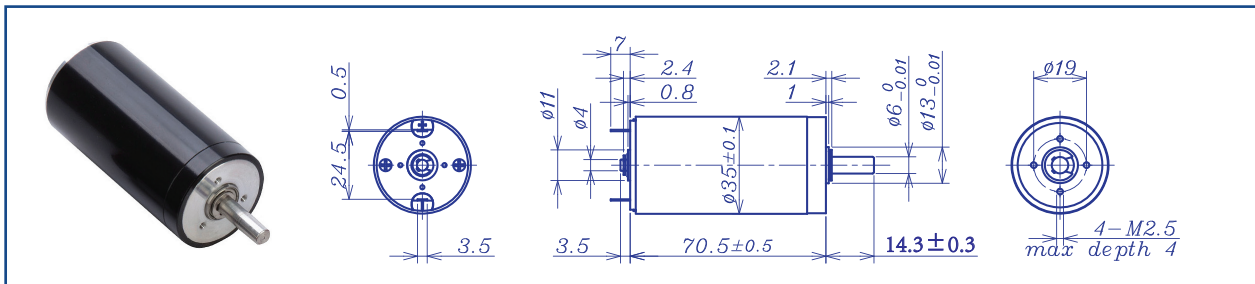
Recommended Encoder:
 Encoder S: AM-EN2211S***
 2~3 Channels

For more combination specs, visit Assun Motor website.

Motor data tested at 25°C. Motor operation exceeding continuous limits will reduce life or result in damage. At elevated ambient temperatures, load current must be reduced.

Download datasheet: <https://assunmotor.com/documents-download>

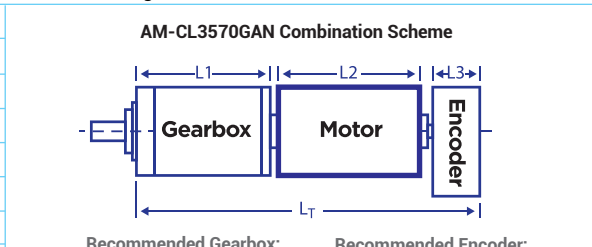
AM-CL3570GAN SERIES



		Graphite brush				Ball Bearings					
Motor Model		1206	1204	2408	2406	2404	4806	4804	4803	4802	
Nominal voltage	V	12	12	24	24	24	48	48	48	48	
No load speed ±12%	rpm	6140	4150	7800	5930	4020	6060	4040	3240	1756	
No load current +150%	mA	190	130	135	100	70	55	33	26	12	
Recommended Limit for Continuous Running	Max cont. torque	mN.m	63.3	73.3	92.7	69.3	81.1	67.4	86.6	100.3	
	Rated Speed	rpm	5632	3695	7233	5506	3541	5629	3573	1223	
	Rated Current	mA	3600	2800	2800	1900	1500	950	800	650	400
	Rated Power	W	37.4	28.4	70.2	40.0	30.1	39.7	32.4	25.2	12.9
Starting current	mA	41379	24490	43636	25263	12060	12632	6667	4068	1290	
Stall torque	mN.m	765	669	1274	969	680	947	749	568	331	
Max power output	W	123.0	72.7	260.2	150.4	71.5	150.3	79.2	48.2	15.2	
Maximum Efficiency	%	87	86	88	88	85	87	86	85	82	
Terminal R ±12%	Ω	0.29	0.49	0.55	0.95	1.99	3.8	7.2	11.8	37.2	
Inductance (1KHz)	mH	0.036	0.11	0.11	0.21	0.45	0.83	1.71	2.75	9.6	
Mech. time constant	ms	8.8	7.1	6.9	6.9	6.5	7.0	6.2	6.4	6.2	
Moment of inertia	gcm ²	105.3	108.7	108.4	108.4	105.6	104.4	110.5	106.4	110.8	
Torque constant	mN.m/A	18.6	27.5	29.3	38.5	56.7	75.3	112.9	140.6	258.6	
Speed constant	rpm/V	514	348	326	248	168	127	85	68	37	
Speed/torque gradient	rpm/mN.m	8.0	6.2	6.1	6.1	5.9	6.4	5.4	5.7	5.3	
Weight	g	348.3	350.2	349.0	350.5	348.2	347.4	351.4	348.7	351.6	

ADDITIONAL INFORMATION			
Motor thermal resistance:	9.1K/W	Motor thermal time constant:	1352S
Axial (dynamic):	5.5 N	Radial (5mm from mounting face):	28.0 N
Press-fit force (static):	100(1000) N	Max allowable screw depth into flange:	4.0 mm
Maximum radial play (5mm from mounting face):	≤0.02 mm	Axial play:	Preset
Maximum winding temperature:	85°C	Ambient temperature range:	-30 to 65°C
Standard rear shaft diameter:	4 mm	Standard rear shaft length "L":	0/3.7/5.5 mm

Total Length (Gearbox and Motor) L _T =L ₁ +L ₂ +L ₃				
L1:36GP	L1:40GP	L1:45GP	L2:CL35	L3:EN225
39.6	46.8	62.8	70.5	10.7
48.6	58.3	74.8		L3:EN24T
57.6	69.8			12.0



Remarks: Client can choose gearbox and encoder to match with this motor. Some combinations are listed here for reference.

Recommended Gearbox:
Planetary Gearbox:
AM-36GP
AM-40GP
AM-45GP

Recommended Encoder:
Encoder S: AM-EN221S***
2~3 Channels
Encoder T: AM-EN241T***
2~3 Channels

For more combination specs, visit Assun Motor website.

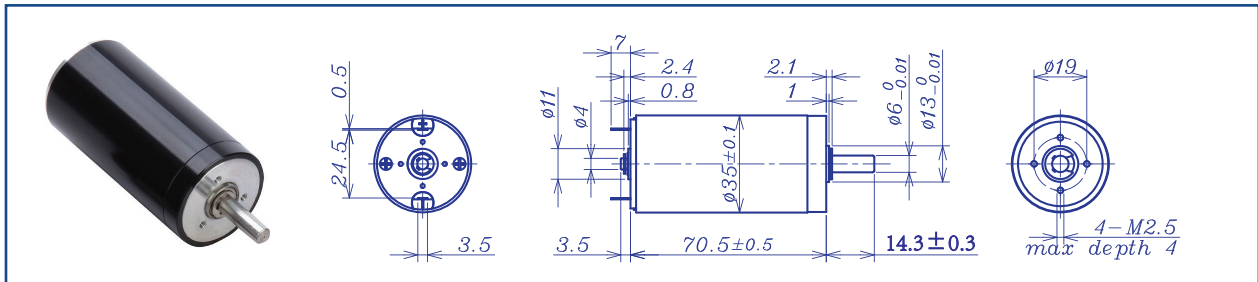
Motor data tested at 25°C. Motor operation exceeding continuous limits will reduce life or result in damage. At elevated ambient temperatures, load current must be reduced.

Download datasheet: <https://assunmotor.com/documents-download>

Visit Our Website and Online Shop at <https://assunmotor.com> Contact: info@assunmotor.com

DC BRUSHED MOTOR

AM-CL3570GAF SERIES (155 °C)



		Graphite brush					Ball Bearings				
Motor Model		1206	1204	2408	2406	2404	4806	4804	4803	4802	
Nominal voltage	V	12	12	24	24	24	48	48	48	48	
No load speed ±12%	rpm	6400	4320	8130	6180	4190	6310	4210	3380	1830	
No load current +150%	mA	182	125	130	96	67	53	32	25	12	
Recommended Limit for Continuous Running	Max cont. torque	mN.m	96.6	112.8	103.1	107.3	116.0	104.7	115.7	117.9	126.1
	Rated Speed	rpm	5558	3562	7444	5467	3445	5584	3532	2648	1103
	Rated Current	mA	5600	4400	3800	3000	2200	1500	1100	900	520
	Rated Power	W	56.2	42.1	80.4	61.4	41.9	61.2	42.8	32.7	14.6
Starting current	mA	41379	24490	43636	25263	12060	12632	6667	4068	1290	
Stall torque	mN.m	734	643	1223	930	652	910	719	545	317	
Max power output	W	123.0	72.7	260.3	150.4	71.6	150.3	79.2	48.2	15.2	
Maximum Efficiency	%	87	86	89	88	86	87	87	85	82	
Terminal R ±12%	Ω	0.29	0.49	0.55	0.95	1.99	3.8	7.2	11.8	37.2	
Inductance (1KH _z)	mH	0.036	0.11	1.52	0.21	0.45	0.83	1.71	2.75	9.6	
Mech. time constant	ms	9.6	7.6	7.7	7.5	7.1	7.6	6.8	6.9	6.7	
Moment of inertia	gcm ²	105.3	108.7	111	108.4	105.6	104.4	110.5	106.4	110.8	
Torque constant	mN.m/A	17.8	26.4	28.1	36.9	54.4	72.3	108.4	134.8	248.1	
Speed constant	rpm/V	536	362	340	258	176	132	88	71	38	
Speed/torque gradient	rpm/mN.m	8.7	6.7	6.6	6.6	6.4	6.9	5.9	6.2	5.8	
Weight	g	348.3	350.2	350.2	350.5	348.2	347.4	351.4	348.7	351.6	

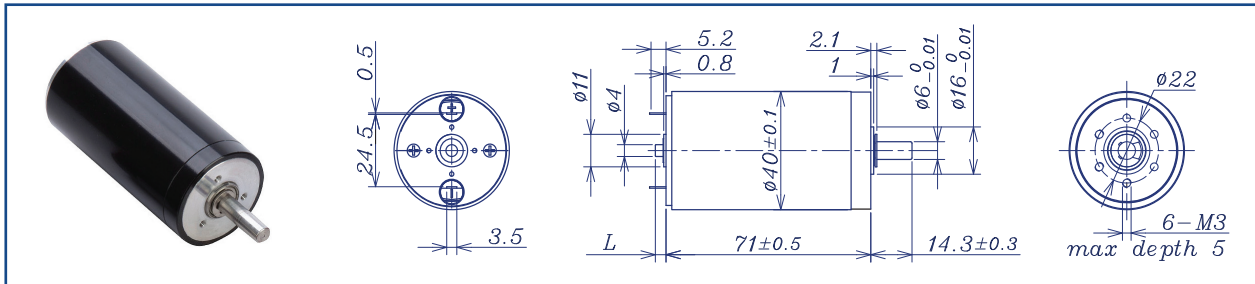
ADDITIONAL INFORMATION				
Motor thermal resistance:	9.1K/W	Motor thermal time constant:	1352S	
Axial (dynamic):	5.5 N	Radial (5mm from mounting face):	28.0 N	
Press-fit force (static):	100(1000) N	Max allowable screw depth into flange:	4.0 mm	
Maximum radial play (5mm from mounting face):	≤0.02 mm	Axial play:	Preset	
Maximum winding temperature:	155°C	Ambient temperature range:	-40 to 100°C	
Standard rear shaft diameter:	4 mm	Standard rear shaft length "L":	0/3.7/5.5 mm	
Total Length (Gearbox and Motor) L _T =L ₁ +L ₂ +L ₃				
L1:36GP	L1:40GP	L1:45GP	L2:CL35	L3:EN22S
39.6	46.8	62.8	70.5	10.7
48.6	58.3	74.8		L3:EN24T
57.6	69.8			12.0
Remarks: Client can choose gearbox and encoder to match with this motor. Some combinations are listed here for reference.				
		Recommended Gearbox: Planetary Gearbox: AM-36GP AM-40GP AM-45GP		Recommended Encoder: Encoder S: AM-EN2211S*** 2~3 Channels Encoder T: AM-EN2412T*** 2~3 Channels
For more combination specs, visit Assun Motor website.				

Motor data tested at 25°C. Motor operation exceeding continuous limits will reduce life or result in damage. At elevated ambient temperatures, load current must be reduced.

Download datasheet: <https://assunmotor.com/documents-download>

Visit Our Website and Online Shop at <https://assunmotor.com> Contact: info@assunmotor.com

AM-CL4071GAE SERIES (125 °C)

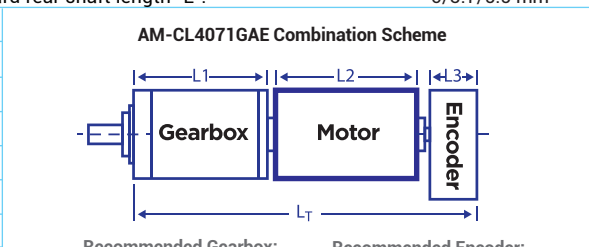


DC BRUSHED MOTOR

		Graphite brush			Ball Bearings					
Motor Model		1207	2408	4808	4806	4805	4804	4803	4802	
Nominal voltage	V	12	24	48	48	48	48	48	48	
No load speed ±12%	rpm	6800	7850	7870	6300	5400	3500	2450	2050	
No load current Max 150%	mA	275	160	85	65	56	36	25	22	
Recommend limit for continuous rimmomg	Max cont. torque	mN.m	96.1	155.5	169.4	169.5	173.0	177.9	181.3	186.0
	Rated Speed	rpm	6312	7237	7247	5747	4823	2921	1874	1470
	Rated Current	mA	6000	5500	3000	2400	2100	1400	1000	860
	Rated Power	W	63.5	117.9	128.6	102.0	87.4	54.4	35.6	28.6
Starting current	mA	80000	68571	36923	26667	19200	8276	4174	2981	
Stall torque	mN.m	1339	1993	2141	1931	1620	1074	772	657	
Maximum power output	W	238.4	409.5	441.0	318.4	229.1	98.4	49.5	35.3	
Maximum Efficiency	%	89	91	91	90	89	87	85	84	
Terminal resistance ±12%	Ω	0.15	0.35	1.3	1.8	2.5	5.8	11.5	16.1	
Inductance (1KH ₂)	mH									
Mechanical time constant	ms	6.6	5.1	4.7	4.1	4.2	4.2	4.0	3.9	
Moment of inertia	gcm ²	123.5	122.6	120.8	120.8	120.2	122.2	120.5	120.7	
Torque constant	mN.m/A	16.8	29.1	58.1	72.6	84.6	130.4	186.0	221.9	
Speed constant	rpm/V	569	328	164	132	113	73	51	43	
Speed/torque gradient	rpm/mN.m	5.1	3.9	3.7	3.3	3.3	3.3	3.2	3.1	
Weight	g	495	496	498	495	496	497	495	496	

ADDITIONAL INFORMATION			
Motor thermal resistance:	K/W	Motor thermal time constant:	S
Axial (dynamic):	5.5 N	Radial (5mm from mounting face):	29.0 N
Press-fit force (static):	100(1000) N	Max allowable screw depth into flange:	5.0 mm
Maximum radial play (5mm from mounting face):	≤0.02 mm	Axial play:	Preset
Maximum winding temperature:	125°C	Ambient temperature range:	-30 to 65°C
Standard rear shaft diameter:	4 mm	Standard rear shaft length "L":	0/3.7/5.5 mm

Total Length (Gearbox and Motor) _{LT=L1+L2+L3}				
L1: 40GP	L1: 45GP	L2: CL40	L3:EN22S	L3:EN24T
46.8	62.8	71	10.7	12.0
58.3	74.8			
69.8				



Remarks: Client can choose gearbox and encoder to match with this motor. Some combinations are listed here for reference.

Recommended Gearbox:
Planetary Gearbox:
AM-40GP
AM-45GP

Recommended Encoder:
Encoder S: AM-EN2211S***
2~3 Channels
Encoder T: AM-EN2412T***
2~3 Channels

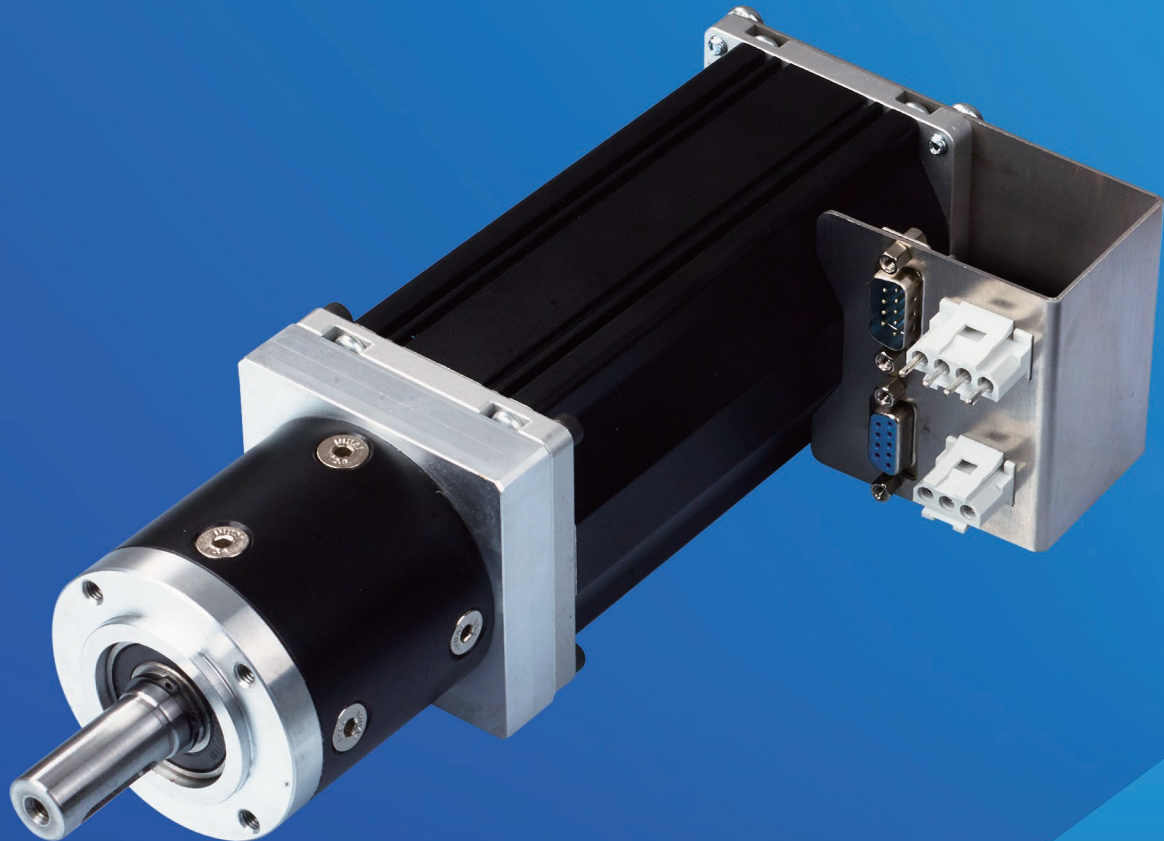
For more combination specs, visit Assun Motor website.

Motor data tested at 25°C. Motor operation exceeding continuous limits will reduce life or result in damage. At elevated ambient temperatures, load current must be reduced.

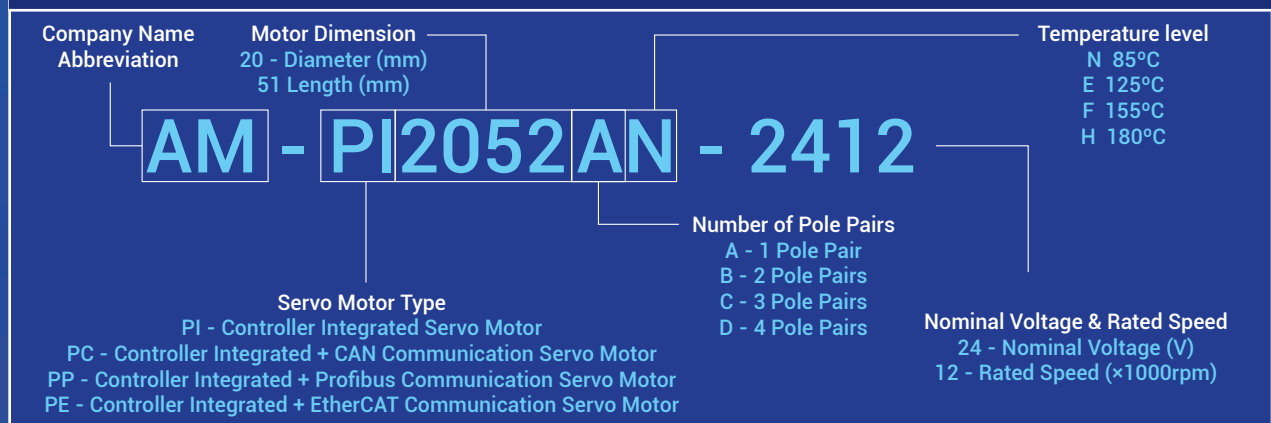
Download datasheet: <https://assunmotor.com/documents-download>

INTEGRATED SERVO MOTOR

Assun Servo Motors are built with servo controller integrated inside the Assun brushless motor. With diameter from 20mm to 65mm, Assun servo motors can be connected directly to the industrial PLC and are ideal for applications that need simple and precise position control.



AM-PI2051AN AM-PI2466AN AM-PI2858AN AM-PI3273AN
AM-PI3675AN AM-PI45115AN AM-PC65140DN

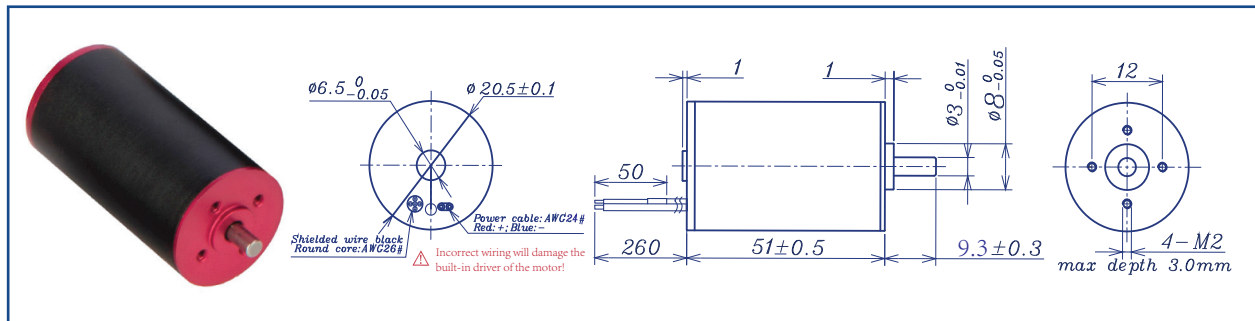


ASSUN SERVO MOTOR _____
PULSE & CAN BUS CONTROL

Assun Servo Motor are DC brushless motors with integrated position servo controller. It uses traditional analogue or digital signal input for position control. As feedback function integrated inside, no more encoders are needed and thus achieving compact overall sizes.



AM-PI2051AN SERIES (Built-In Position Control)



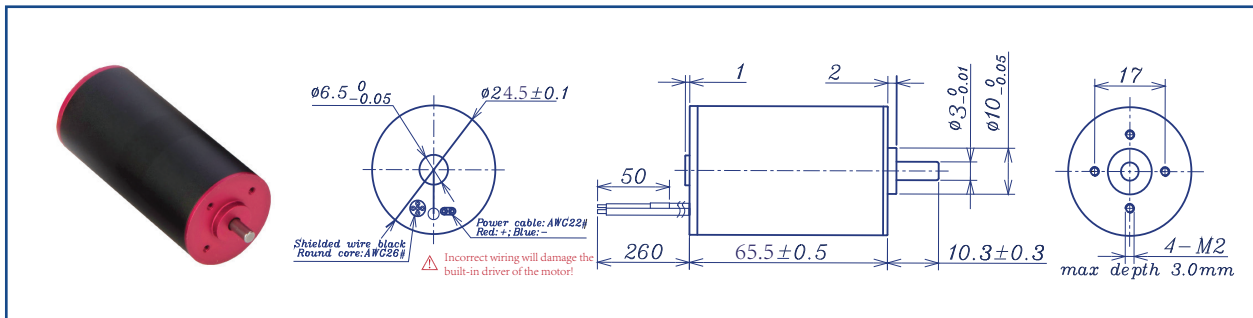
	Brushless Servo Motor		Ball Bearing	
Motor Model		2412	1210	
Nominal voltage	V	24	12	
Voltage range	V	21.5~26.5	10.5~13.5	
No-load holding current	mA	45	45	
Static holding torque	mN·m	10.0	10.0	
Static holding current	mA	150	330	
Rated torque	mN·m	10.0	10.0	
Rated speed	rpm	12000	10000	
Pulse number / circle	Pulse / circle	256	256	
Overload torque	mN.m	20.0	20.0	
Maximum overload time	second	3	3	
Moment of inertia	gcm ²	1.13	1.13	
Weight	g	78.5	78.5	

Additional Information			
Note: Excessive shock loads and periodic oscillations can cause the motor to run unsteadily. Stabilize the system by improving the load.			
Motor thermal resistance:	14.6K/W	Motor thermal time constant:	680S
Axial (dynamic):	2.5 N	Radial (5mm from head face):	16.0 N
Press-fit force (static):	50 N	L: Max allowable screw depth info flange:	3.0 mm
Maximum radial runout (5mm from the thread surface):	≤0.02 mm	Axial play:	0 (<4.0N)
Maximum winding temperature	85°C	Ambient temperature range:	-30 to 65 °C

Part Information					
Control function description		<p>Wiring Diagram</p>	<p>Recommended pulse control curve</p>		
Input level description	VIL max 0.8V ; VIH min 2.0V				
Pulse input (red)	Falling edge is valid				
Steering input (yellow)	High CW Low CCW				
Input GND (white)	Universal input port				
Total Length: LT=L1+L2+L3					
L1:24GP	L1:20GP	L2 :PI2052	L3		
22.2	18.8	51.5			
27.4	23.6				
32.6	28.4				
<p>AM-PI2051AN Combination Scheme</p>					
<p>Recommended Gearbox: AM-20GP AM-24GP</p> <p>For more combination specs, visit Assun Motor website.</p>					
<p>Note: The customer can select the gearbox to match the motor. It is recommended to weld motor shaft gears, some of which are listed here for reference.</p>					

Download datasheet: <https://assunmotor.com/documents-download>

AM-PI2466AN SERIES (Built-In Position Control)



	Brushless Servo Motor	Ball Bearing	
Motor Model		2410	1209
Nominal voltage	V	24	12
Voltage range	V	21.5~26.5	10.5~13.5
No-load holding current	mA	45	45
Static holding torque	mN_m	20.0	22.0
Static holding current	mA	250	490
Rated torque	mN_m	20.0	22.0
Rated speed	rpm	10000	9000
Pulse number / circle	Pulse / circle	256	256
Overload torque	mN.m	40.0	40.0
Maximum overload time	second	3	3
Moment of inertia	gcm ²	3.45	3.45
Weight	g	142	142

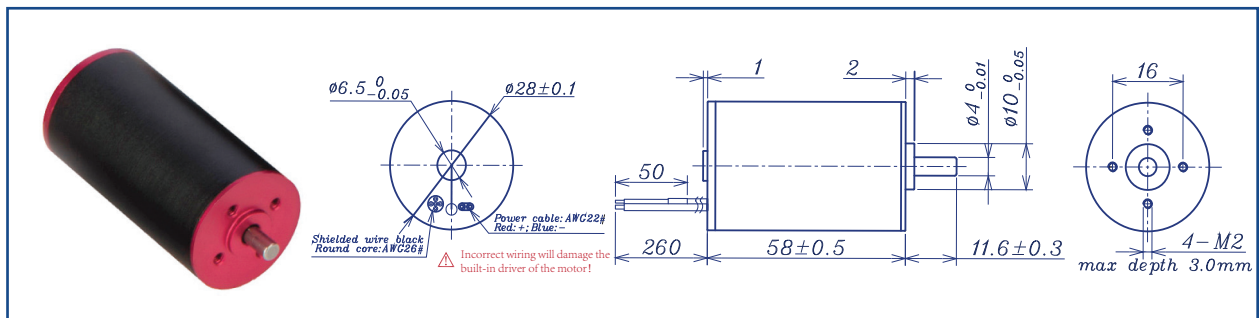
Additional Information			
Note: Excessive shock loads and periodic oscillations can cause the motor to run unsteadily. Stabilize the system by improving the load.			
Motor thermal resistance:	10.5 K/W	Motor thermal time constant:	768 S
Axial (dynamic):	2.5 N	Radial (5mm from head face):	16.0 N
Press-fit force (static):	50 N	L: Max allowable screw depth info flange:	3.0 mm
Maximum radial runout (5mm from the thread surface):	≤0.02 mm	Axial play:	0 (<4.0N)
Maximum winding temperature	85°C	Ambient temperature range:	-30 to 65 °C

Part Information					
Control function description		<p>Wiring diagram</p>	<p>Recommended pulse control curve</p>		
Input level description	VIL max 0.8V ; VIH min 2.0V				
Pulse input (white)	Falling edge is valid				
Steering input (green)	High CW Low CCW				
Feedback Pulse (red)	32 pulses / rev				
Input GND (black)	Universal input port				
Total Length: LT=L1+L2+L3					
L1:24GP	L1:28GP	L2 :PI2052	L3		
22.2	25.9	65.5			
27.4	33.1				
32.6	40.3				
<p>AM-PI2466AN Combination Scheme</p>					
<p>Recommended Gearbox: AM-24GP AM-28GP</p> <p>For more combination specs, visit Assun Motor website.</p>					
<p>Note: The customer can select the gearbox to match the motor. It is recommended to weld motor shaft gears, some of which are listed here for reference.</p>					

Download datasheet: <https://assunmotor.com/documents-download>

Visit Our Website and Online Shop at <https://assunmotor.com> Contact: info@assunmotor.com

AM-PI2858AN SERIES (Built-In Position Control)



	Brushless Servo Motor	Ball Bearing
Motor Model	2410	
Nominal voltage	V	24
Voltage range	V	21.5~26.5
No-load holding current	mA	45
Static holding torque	mN·m	29.0
Static holding current	mA	250
Rated torque	mN·m	29.0
Rated speed	rpm	10000
Pulse number / circle	Pulse / circle	256
Overload torque	mN.m	50.0
Maximum overload time	second	3
Moment of inertia	gcm ²	6.19
Weight	g	155

Additional Information

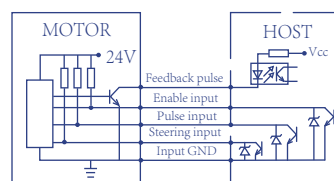
Note: Excessive shock loads and periodic oscillations can cause the motor to run unsteadily. Stabilize the system by improving the load.

Motor thermal resistance:	10.2 K/W	Motor thermal time constant:	822 S
Axial (dynamic):	4.0 N	Radial (5mm from head face):	16.0 N
Press-fit force (static):	50 N	Max allowable screw depth info flange:	3.0 mm
Maximum radial runout (5mm from the thread surface):	≤0.02 mm	Axial play:	0 (<4.0N)
Maximum winding temperature	85°C	Ambient temperature range:	-30 to 65 °C

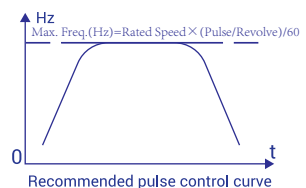
Part Information

Control function description

Input level description	VIL max 1.2V ; VIH min 22V
Pulse input (red)	Falling edge is valid
Direction control (white)	High CW Low CCW
Enable input (yellow)	VIL Enable
Feedback pulse (green)	32 pulse / rev
Input GND (black)	Universal input port



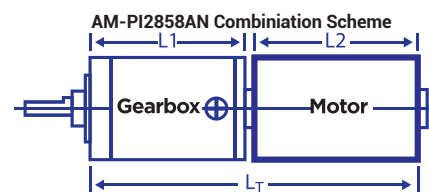
Wiring diagram



Total Length $L_T=L_1+L_2+L_3$

L1:28GP	L1:32GP	L2 :PI28	L3
25.9	27.4	58.0	
33.1	35.9		
40.3	44.4		

Note: The customer can select the gearbox to match the motor. It is recommended to weld motor shaft gears, some of which are listed here for reference.



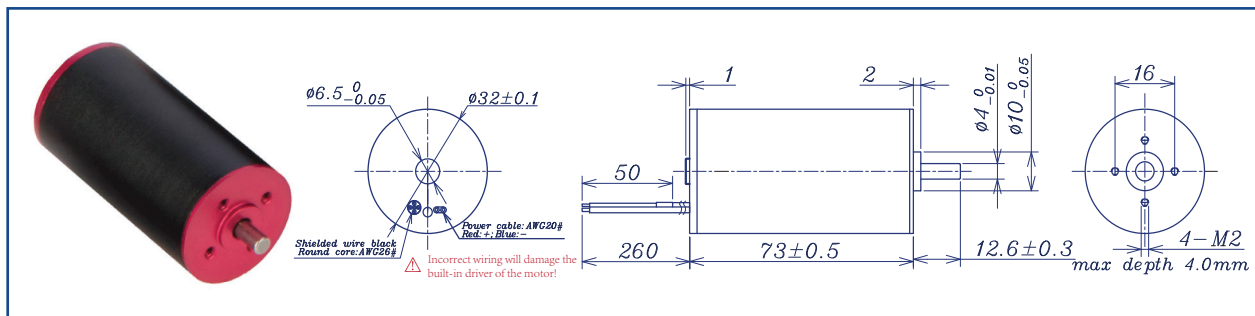
Recommended Gearbox:

AM-28GP
AM-32GP

For more combination specs, visit Assun Motor website.

Download datasheet: <https://assunmotor.com/documents-download>

AM-PI3273AN SERIES (Built-In Position Control)



	Brushless Servo Motor	Ball Bearing			
Motor Model		2410			
Nominal voltage	V	24			
Voltage range	V	21.5~26.5			
No-load holding current	mA	45			
Static holding torque	mN·m	35.0			
Static holding current	mA	320			
Rated torque	mN·m	35.0			
Rated speed	rpm	10000			
Pulse number / circle	Pulse / circle	256			
Overload torque	mN.m	70.0			
Maximum overload time	second	3			
Moment of inertia	gcm ²	13.3			
Weight	g	270			

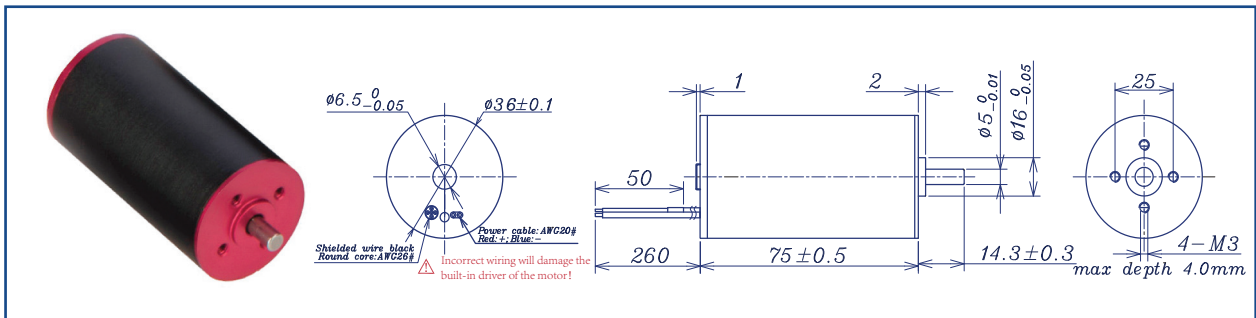
Additional Information			
Note: Excessive shock loads and periodic oscillations can cause the motor to run unsteadily. Stabilize the system by improving the load.			
Motor thermal resistance:	7.8 K/W	Motor thermal time constant:	1089 S
Axial (dynamic):	6.0 N	Radial (5mm from head face):	16.0 N
Press-fit force (static):	50 N	Max allowable screw depth into flange:	4.0 mm
Maximum radial runout (5mm from the thread surface):	≤0.02 mm	Axial play:	0 (<6.0N)
Maximum winding temperature	85°C	Ambient temperature range:	-30 to 65 °C

Part Information					
Control function description		<p>Wiring diagram</p>	<p>Recommended pulse control curve</p>		
Input level description	VIL max 1.2V ; VIH min 22V				
Pulse input (red)	Falling edge is valid				
Direction control (white)	High CW Low CCW				
Enable input (yellow)	VIL Enable				
Feedback pulse (green)	32 pulse / rev				
Input GND (black)	Universal input port				
Total Length LT=L1+L2+L3					
L1:32GP	L1:36GP	L2 :PI32	L3		
27.4	39.6	73.0			
35.9	48.6				
44.4	57.6				
<p>AM-PI3273AN Combination Scheme</p>					
<p>Note: The customer can select the gearbox to match the motor. It is recommended to weld motor shaft gears, some of which are listed here for reference.</p>					
<p>Recommended Gearbox:</p> <p>AM-32GP AM-36GP</p> <p>For more combination specs, visit Assun Motor website.</p>					

Download datasheet: <https://assunmotor.com/documents-download>

Visit Our Website and Online Shop at <https://assunmotor.com> Contact: info@assunmotor.com

AM-PI3675AN SERIES (Built-In Position Control)



Brushless Servo Motor		Ball Bearing	
Motor Model		2410	
Nominal voltage	V	24	
Voltage range	V	21.5~26.5	
No-load holding current	mA	45	
Static holding torque	mN·m	52.0	
Static holding current	mA	350	
Rated torque	mN·m	52.0	
Rated speed	rpm	10000	
Pulse number / circle	Pulse / circle	256	
Overload torque	mN.m	80.0	
Maximum overload time	second	3	
Moment of inertia	gcm ²	16.75	
Weight	g	345	

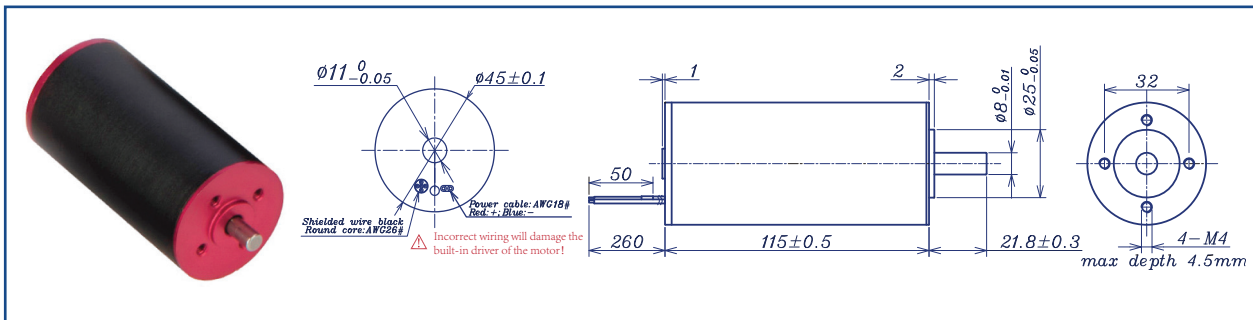
Additional Information			
Note: Excessive shock loads and periodic oscillations can cause the motor to run unsteadily. Stabilize the system by improving the load.			
Motor thermal resistance:	6.9 K/W	Motor thermal time constant:	1188 S
Axial (dynamic):	6.0 N	Radial (5mm from head face):	16.0 N
Press-fit force (static):	50 N	Max allowable screw depth into flange:	4.0 mm
Maximum radial runout (5mm from the thread surface):	≤0.02 mm	Axial play:	0 (<6.0N)
Maximum winding temperature	85°C	Ambient temperature range:	-30 to 65 °C

Part Information				
Control function description		<p>Wiring diagram</p>	<p>Recommended pulse control curve</p>	
Input level description	VIL max 1.2V ; VIH min 22V			
Pulse input (red)	Falling edge is valid			
Direction control (white)	High CW Low CCW			
Enable input (yellow)	VIL Enable			
Feedback pulse (green)	32 pulse / rev			
Input GND (black)	Universal input port			
Total Length LT=L1+L2+L3				
L1:36GP	L1:40GP	L2 :PI36	L3	
39.6	46.8	75.0		
48.6	58.3			
57.6	69.8			
<p>AM-PI3675 AN Combination Scheme</p>				
<p>Note: The customer can select the gearbox to match the motor. It is recommended to weld motor shaft gears, some of which are listed here for reference.</p>				
<p>Recommended Gearbox:</p> <p>AM-36GP AM-40GP</p> <p>For more combination specs, visit Assun Motor website.</p>				

Download datasheet: <https://assunmotor.com/documents-download>

Visit Our Website and Online Shop at <https://assunmotor.com> Contact: info@assunmotor.com

AM-PI45115AN SERIES (Built-In Position Control)



	Brushless Servo Motor	Ball Bearing
Motor Model	2408	
Nominal voltage	V 24	
Voltage Range	V 21.5~26.5	
No-load holding current	mA 55	
Static holding torque	mN·m 65.0	
Static holding current	mA 550	
Rated torque	mN·m 65.0	
Rated speed	rpm 8000	
Pulse number / circle	Pulse / circle 256	
Overload torque	mN.m 120.0	
Maximum overload time	second 3	
Moment of inertia	gcm ² 109.8	
Weight	g 880	

Additional Information

Note: Excessive shock loads and periodic oscillations can cause the motor to run unsteadily. Stabilize the system by improving the load.

Motor thermal resistance:	3.6 K/W	Motor thermal time constant:	1286 S
Axial (dynamic):	8.0 N	Radial (5mm from head face):	180.0 N
Press-fit force (static):	100 N	Max allowable screw depth into flange:	4.5 mm
Maximum radial runout (5mm from the thread surface):	≤0.02 mm	Axial play:	0 (<6.0N)
Maximum winding temperature	85°C	Ambient temperature range:	-30 to 65 °C

Part Information

Control function description				
Input level description	VIL max 1.2V ; VIH min 22V			
Pulse input (red)	Falling edge is valid			
Direction control (white)	High CW Low CCW			
Enable input (yellow)	VIL Enable			
Feedback pulse (green)	32 pulse / rev			
Input GND (black)	Universal input port			
Total Length LT=L1+L2+L3				
L1:45GP	L1:52GP		L2 :PI45	L3
62.8	81.0		115.0	
74.8				
<p style="text-align: center;">Wiring diagram</p>				
<p style="text-align: center;">Recommended pulse control curve</p>				
AM-PI45115AN Combination Scheme				
<p>Recommended Gearbox:</p> <p>AM-45GP AM-52GP</p> <p>For more combination specs, visit Assun Motor website.</p>				
<p>Note: The customer can select the gearbox to match the motor. It is recommended to weld motor shaft gears, some of which are listed here for reference.</p>				

Download datasheet: <https://assunmotor.com/documents-download>

Visit Our Website and Online Shop at <https://assunmotor.com> Contact: info@assunmotor.com

PLANETARY GEARBOX

Assun Planetary Gearbox are made for precision DC drive systems. The high efficiency, small backlash, and wide range of stages and ratios made the gearboxes ideal for various DC drive applications. With diameter from 16mm to 60mm, wide range ratios and various output torques, customers could choose their best fitting gearbox for combination.



AM-16P	AM-32P	AM-20GP	AM-36GP
AM-22P	AM-36P	AM-24GP	AM-40GP
AM-26P	AM-45P	AM-28GP	AM-45GP
AM-28P	AM-16GP	AM-32GP	AM-52GP

Company Name Abbreviation

AM - 16GPA - 5.4:1

Gearbox Dimension
16 - Diameter (mm)

Gearbox Type
GP - Precisions Gearbox
P - Regular Gearbox

Gearbox Type
GP - Precisions Gearbox
P Regular Gearbox

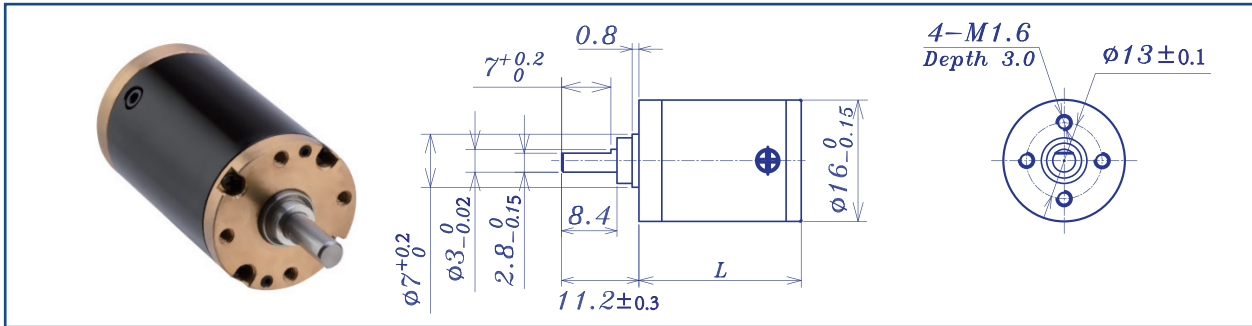
Gear Ratio

PLANETARY GEARBOX —
REGULAR SERIES

Assun Planetary Gearbox of regular series are most widely used planetary gearbox for DC drive system. With diameter from 16mm to 45mm, these gearboxes made by hobbing gears provide a bunch of choices for customers' applications.



AM-16P Series



GEARBOX CHARACTER			
Gear type	Straight teeth	Average backlash on load	$\leq 3^\circ$
Output shaft	Stainless steel hardened	Radial Play	≤ 0.04
Main gear	Alloy Steel	Permissible axial load	$\leq 10N$
Ring gear	Steel	Permissible force press fits	$\leq 50N$ (5mm from mounting face)
Adapter plate	Copper	Recommended inut speed	$\leq 10000RPM$
Bearing AT output	Ball bearing	Operating temperature range	$-20^\circ C \sim +50^\circ C$
Axial play	0-0.3	Operating humidity range	10-90%RH
Directions	CW/CCW		

GEARBOX DATA												
Number of stage	1		2			3			4		5	
Reduction ratio X:1	3.3	11	19	37	62	97	175	370	591	742	1996	
	3.8	12	20	41	64	104	198	410	690	1014	2458	
	4.4	14	24	47	72	109	231	455	850	1185	3027	
	5.4	16	29	53	76	128	270	522		1386	3728	
Reduction ratio absolute		18		84	158		316	561		1621	4592	
	63/19	3249/169	250049/6859	1215/16	21625/1216	6561/16	759375/1024					
	15/4	81/4	59635/1444	185193/2197	50625/256	5000/211/10985	10965375/10816					
	57/13	1539/65	3375/64	45927/475	192375/832	1240029/2375	41668425/35152					
	27/5	729/25	14175/304	87723/845	731025/2704	2368521/4225	158340015/114244					
		12825/208	2187/20	2777895/8788	59049/100	601692057/371293						
		204687/3211	41553/325	10556001/28561	1121931/625	285012027/142805						
		48735/676	19683/125		531441/625	135005697/54925						
						63950067/21125						
						30292137/8125						
						14348907/3125						
Gearbox length "L" (mm)	18.5	22.4	26.3	30.2	34.0							
Max. continuous torque (N.m)	0.3	0.5	0.6	0.7	0.7							
Max. intermitten torque (N.m)	0.5	0.7	0.9	1	1							
Gearbox efficiency	90%	81%	72%	65%	59%							
Moment of inertia range (g.cm ²)	0.06	0.05	0.05	0.05	0.05							
Gearbox weight approx (g)	23	28	31	36	40							
Gearbox model	AM-16PA-X-01	AM-16PB-X-01	AM-16PC-X-01	AM-16PD-X-01	AM-16PE-X-01							

AM-16P Example of combination

INPUT GEARBOX DATA	
Modulus	0.3
Press angle	20°
Teeth number	10 13 16 19
Max gear hole "A"	1.5 2.0
Max motor shaft	1.5 2.0
Motor dimension "D"	6.0

MOTOR DIMENSION

GEARBOX MOTOR LENGTH "LT"				
Gear motor length L_T	52.2	59.1	70	82.2
Gearbox length L_1	18.5	22.4	26.3	30.2
Motor length L_2	23	26	33	40
Encoder length L_3	10.7	10.7	10.7	12

Recommend Motor:	Recommend Encoder:
Coreless Motor: AM-CL1642MA	Suitable for Coreless Motor Encoder S: AM-EN1611S***
Coreless Motor (w/E): AM-CL1623MAN AM-CL1626MAN AM-CL1633MAN AM-CL1643MAN	Suitable for Brushless Motor Encoder S: AM-EN1611S***
Brushless Motor (w/E) AM-BL1640A/B	Encoder T: AM-EN1612T***

Download datasheet: <https://assunmotor.com/documents-download>

Visit Our Website and Online Shop at <https://assunmotor.com> Contact: info@assunmotor.com

AM-22P Series

GEARBOX CHARACTER	
Gear type	Straight teeth
Output shaft	Stainless steel hardened
Main gear	Alloy Steel
Ring gear	Steel
Adapter plate	Copper
Bearing AT output	Ball bearing
Axial play	0-0.3
Directions	CW/CCW
Average backlash on load	$\leq 2^\circ$
Radial Play	≤ 0.1
Permissible axial load	$\leq 40N$
Permissible force press fits	$\leq 100N$ (5mm from mounting face)
Recommended input speed	$\leq 10000RPM$
Operating temperature range	$-20^\circ C \sim +50^\circ C$
Operating humidity range	10-90%RH

GEARBOX DATA					
Number of stage	1	2	3	4	5
Reduction ratio X:1	3.3	11 19	37 62 97	175 370 591	742 1996
	3.8	12 20	41 64 104	198 410 690	1014 2458
	4.4	14 24	47 72 109	231 455 850	1185 3027
	5.4	16 29	53 76 128	270 522 850	1386 3728
	18	84 158	316 561	1621 4592	
Reduction ratio absolute	63/19	3249/169	250049/6859	21625/1216	759375/1024
	15/4	81/4	59635/1444	50625/256	10965375/10816
	57/13	1539/65	3375/64	192375/832	41668425/35152
	27/5	729/25	14175/304	731025/2704	158340015/114244
			12825/208	2777895/8788	601692057/371293
		204687/3211	10556001/28561	285012027/142805	
		48735/676	19683/125	531441/625	135005697/54925
					63950067/21125
					30292137/8125
					14348907/3125
Gearbox length "L" (mm)	22.3	27.3	32.3	37.3	42.6
Max. continuous torque (N.m)	0.6	0.8	1	1.2	1.2
Max. intermitten torque (N.m)	0.9	1.2	1.5	1.8	1.8
Gearbox efficiency	90%	81%	72%	65%	59%
Moment of inertia range (g.cm ²)	0.5	0.4	0.5	0.4	0.5
Gearbox weight approx (g)	56	68	82	92	103
Gearbox model	AM-22PA-X-01	AM-22PB-X-01	AM-22PC-X-01	AM-22PD-X-01	AM-22PE-X-01

INPUT GEARBOX DATA		MOTOR DIMENSION	
Modulus	0.35		
Press angle	20°		
Teeth number	10 13 16 19		
Max gear hole "A"	2.0 3.0		
Max motor shaft	2.0 3.0		
Motor dimension "D"	6.15 8.0		

AM-22P Example of combination

RECOMMEND MOTOR:

Coreless Motor: (w/E):
AM-CL2232MAN
AM-CL2232GAN
AM-CL2242MAN
AM-CL2242GAN

Brushless Motor (w/E):
AM-BL2040AN
AM-BL2453AN

RECOMMEND ENCODER:

Suitable for Coreless Motor
Encoder S: AM-EN2211S***

Suitable for Brushless Motor
Encoder S: AM-EN1611S***
Encoder T: AM-EN1612T***

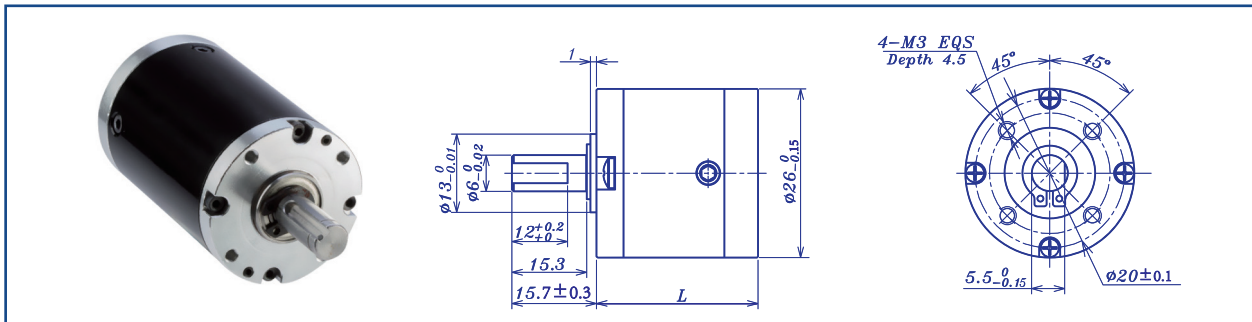
GEARBOX MOTOR LENGTH "LT"	
Gear motor length L_T	66.5 80.0 80.3 101
Gearbox length L_1	22.3 27.3 32.3 37.3
Motor length L_2	32.2 42 40 53
Encoder length L_3	12 10.7 12 10.7

PLANETARY GEARBOX

Download datasheet: <https://assunmotor.com/documents-download>

Visit Our Website and Online Shop at <https://assunmotor.com> Contact: info@assunmotor.com

AM-26P Series

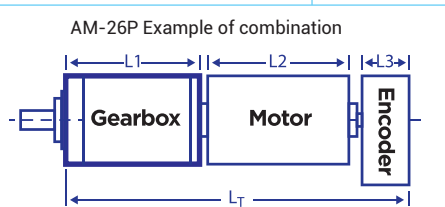


GEARBOX CHARACTER

Gear type	Straight teeth	Average backlash on load	$\leq 2^\circ$
Output shaft	Stainless steel hardened	Radial Play	≤ 0.1
Main gear	Alloy Steel	Permissible axial load	$\leq 80N$
Ring gear	Steel	Permissible force press fits	$\leq 150N$ (5mm from mounting face)
Adapter plate	Alluminium alloy	Recommended input speed	$\leq 8000RPM$
Bearing AT output	Ball bearing	Operating temperature range	$-20^\circ C \sim +50^\circ C$
Axial play	0-0.3	Operating humidity range	10-90%RH
Directions	CW/CCW		

GEARBOX DATA

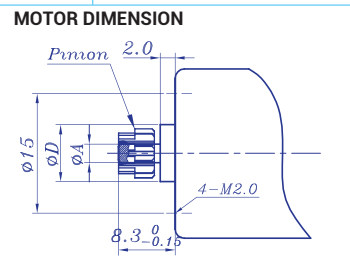
Number of stage	1	2			3			4		
Reduction ratio X:1	3.4	12	18	28	40	74	129	296	534	1016
	3.8	13	19	29	45	85	152	327	637	1136
	4.4	15	20	35	50	95	184	375	760	1304
	5.3	17	23	44	56	106	233	405	860	1556
	6.7		26		65	121	296	447	965	1975
Reduction ratio absolute	63/19 15/4 57/13 27/5	576/49 92/7 529/36 253/15	18/1 1484/25 16/18 231/10 230/9	441/16 88/3 35/1 400/9	12824/343 2208/49 1053/21 12167/2 5819/90 5566/75 10648/125	189/2 3381/32 4851/40 1936/15 3200/21 735/4 700/3 8000/27	85169/288 122452/375 234256/625 25921/64 53361/100 101871/160	194481/256 7744/9 15435/16 64000/63 92000/81 35200/27 14000/9 160000/81		
Gearbox length "L" (mm)	28.2	34.5			40.8			47.1		
Max. continuous torque (N.m)	1.3	1.7			2.1			2.6		
Max. intermitten torque (N.m)	1.9	2.6			3.2			3.8		
Gearbox efficiency	90%	81%			72%			65%		
Moment of inertia range (g.cm ²)	1	0.9			0.6			0.6		
Gearbox weight approx (g)	65	85			105			120		
Gearbox model	AM-26PA-X-01	AM-26PB-X-01			AM-26PC-X-01			AM-26PD-X-01		



<p>Recommend Motor:</p> <p>Coreless Motor (w/E): AM-CL2532MAN AM-CL2545MAN</p> <p>Brushless Motor (w/E) AM-BL2453AN</p>	<p>Recommend Encoder:</p> <p>Suitable for Coreless Motor Encoder S: AM-EN1611S***</p> <p>Suitable for Brushless Motor Encoder S: AM-EN1611S*** Encoder T: AM-EN2412T***</p>
---	---

INPUT GEARBOX DATA

Modulus	0.4				
Press angle	20°				
Teeth number	9	12	15	18	21
Max gear hole "A"	1.5	3.0	4.0		
Max motor shaft	1.5	3.0	4.0		
Motor dimension "D"	10.0				



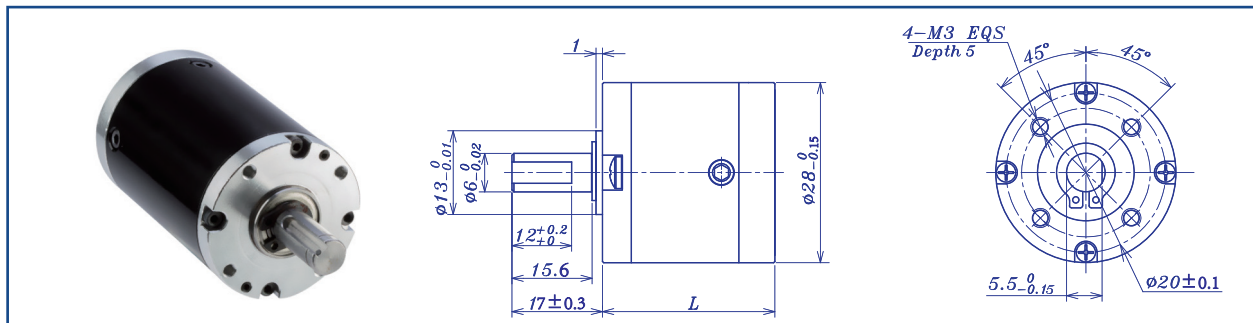
GEARBOX MOTOR LENGTH "LT"

Gear motor length L_T	72.2	90.2
Gearbox length L_1	28.2	34.5
Motor length L_2	32	45
Encoder length L_3	12	10.7

Download datasheet: <https://assunmotor.com/documents-download>

Visit Our Website and Online Shop at <https://assunmotor.com> Contact: info@assunmotor.com

AM-28P Series

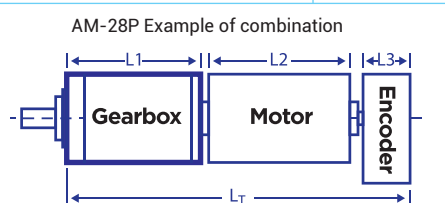


GEARBOX CHARACTER

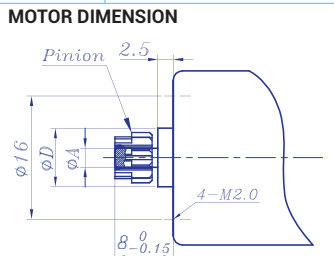
Gear type	Straight teeth	Average backlash on load	≤2°
Output shaft	Stainless steel hardened	Radial Play	≤0.1
Main gear	Alloy Steel	Permissible axial load	≤80N
Ring gear	Steel	Permissible force press fits	≤150N (5mm from mounting face)
Adapter plate	Aluminum Alloy	Recommended inut speed	≤8000RPM
Bearing AT output	Ball bearing	Operating temperature range	-20°C ~ +50°C
Axial play	0-0.3	Operating humidity range	10-90%RH
Directions	CW/CCW		

GEARBOX DATA

Number of stage	1	2		3		4				
Reduction ratio X:1	3.4 3.8 4.4 5.3 6.7	12 13 15 17	18 19 20 23 26	28 29 35 44	40 45 50 56 65	74 85 95 106 121	129 152 184 233 296	296 327 375 405 447	534 637 760 860 965	1016 1136 1304 1556 1975
Reduction ratio absolute	24/7 23/6 22/5 21/4 20/3	576/49 92/7 529/36 253/15	18/1 484/25 16//18 231/10 230/9	441/16 88/3 35/1 400/9	13824/343 2208/49 1053/21 12167/2 5819/90 5566/75 10648/125	189/2 3381/32 4851/40 1936/15 3200/21 735/4 700/3 8000/27	85169/288 122452/375 234256/625 25921/64 53361/100 101871/160	194481/256 7744/9 15435/16 64000/63 92000/81 35200/27 14000/9 160000/81		
Gearbox length "L" (mm)	26.9	33.2		39.5		45.8				
Max. continuous torque (N.m)	1.3	1.7		2.1		2.6				
Max. intermitten torque (N.m)	1.9	2.6		3.2		3.8				
Gearbox efficiency	90%	81%		72%		65%				
Moment of inertia range (g.cm ²)	1	0.9		0.6		0.6				
Gearbox weight approx (g)	78	102		126		149				
Gearbox model	AM-28PA-X-01	AM-28PB-X-01		AM-28PC-X-01		AM-28PD-X-01				



INPUT GEARBOX DATA	
Modulus	0.4
Press angle	20°
Teeth number	9 12 15 18 21
Max gear hole "A"	1.5 3.0 4.0
Max motor shaft	1.5 3.0 4.0
Motor dimension "D"	10.0



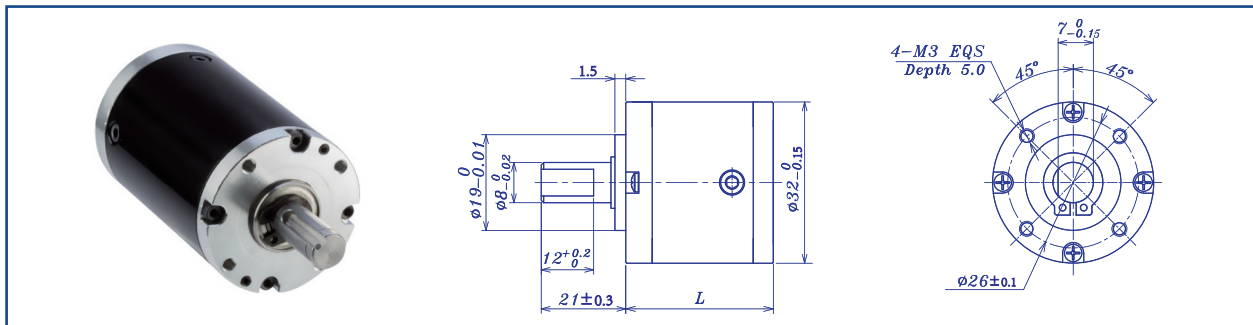
Recommend Motor:	Recommend Encoder:
Coreless Motor: AM-CL2532MAN AM-CL2545MAN AM-CL2831MAN AM-CL2845MAN	Suitable for Coreless Motor Encoder S: AM-EN1611S***
Brushless Motor AM-BL2845AN AM-BL2453AN	Suitable for Brushless Motor Encoder S: AM-EN1611S*** Encoder T: AM-EN2412T***

GEARBOX MOTOR LENGTH "LT"	
Gear motor length L_T	69.6 90.2 81.2 109.5
Gearbox length L_1	26.9 33.2 39.5 45.8
Motor length L_2	32 45 31 53
Encoder length L_3	10.7 12 10.7 10.7

Download datasheet: <https://assunmotor.com/documents-download>

Visit Our Website and Online Shop at <https://assunmotor.com> Contact: info@assunmotor.com

AM-32P Series



GEARBOX CHARACTER			
Gear type	Straight teeth	Average backlash on load	$\leq 2^\circ$
Output shaft	Stainless steel hardened	Radial Play	≤ 0.1
Main gear	Alloy Steel	Permissible axial load	$\leq 110N$
Ring gear	Steel	Permissible force press fits	$\leq 200N$ (5mm from mounting face)
Adapter plate	Aluminium alloy	Recommended inut speed	$\leq 8000RPM$
Bearing AT output	Ball bearing	Operating temperature range	$-20^\circ C \sim +50^\circ C$
Axial play	0-0.3	Operating humidity range	10-90%RH
Directions	CW/CCW		

GEARBOX DATA										
Number of stage	1	2		3	4					
Reduction ratio X:1	3.4	12	18	28	40	74	129	296	534	1016
	3.8	13	19	29	45	85	152	327	637	1136
	4.4	15	20	35	50	95	184	375	760	1304
	5.3	17	23	44	56	106	233	405	860	1556
	6.7		26		65	121	296	447	965	1975
Reduction ratio absolute	24/7	576/49	18/1	441/16	13824/343	189/2	85169/288	194481/256		
	23/6	92/7	484/25	88/3	2208/49	3381/32	122452/375	7744/9		
	22/5	529/36	16/18	35/1	1053/21	4851/40	234256/625	15435/16		
	21/4	253/15	231/10	400/9	12167/2	1936/15	25921/64	64000/63		
	20/3		230/9		5819/90	3200/21	53361/100	92000/81		
					5566/75	735/4	101871/160	35200/27		
				10648/125	700/3		14000/9			160000/81
Gearbox length "L" (mm)	31.2	38.7		46.2		53.7				
Max. continuous torque (N.m)	1.9	2.5		3.2		3.9				
Max. intermitten torque (N.m)	2.9	3.8		4.8		5.7				
Gearbox efficiency	90%	81%		72%		65%				
Moment of inertia range (g.cm ²)	1.5	1		1		1				
Gearbox weight approx (g)	135	168		200		236				
Gearbox model	AM-32PA-X-01	AM-32PB-X-01		AM-32PC-X-01		AM-32PD-X-01				

AM-32P Example of combination

INPUT GEARBOX DATA	
Modulus	0.45
Press angle	20°
Teeth number	9 12 15 18 21
Max gear hole "A"	2.0 3.0 4.0 5.0 6.0
Max motor shaft	2.0 3.0 4.0 5.0 6.0
Motor dimension "D"	10.0 16.0

MOTOR DIMENSION

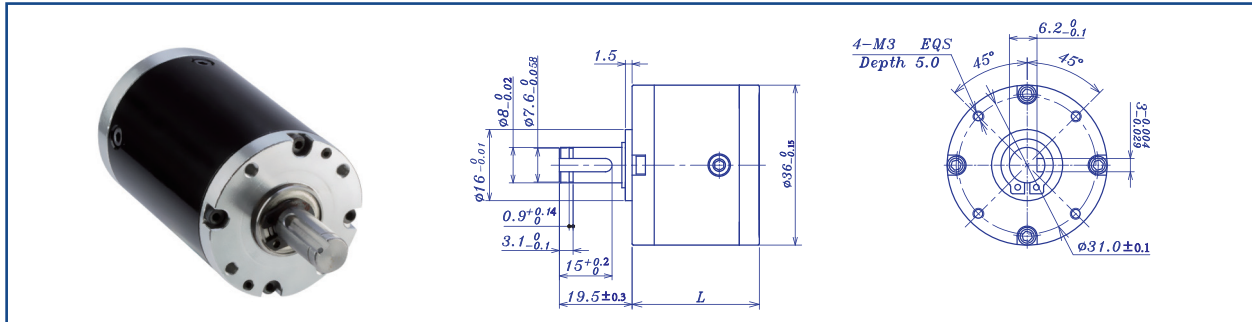
RECOMMEND MOTOR		
Recommend Motor:	Recommend Encoder:	
Coreless Motor: (w/E) AM-CL2831MAN AM-CL2845MAN	Suitable for Coreless Motor Encoder S: AM-EN1611S***	
Brushless Motor (w/E) AM-BL2845AN	Suitable for Brushless Motor Encoder S: AM-EN1611S*** Encoder T: AM-EN2412T***	

GEARBOX MOTOR LENGTH "LT"		
Gear motor length LT	72.9	95.7
Gearbox length L1	31.2	38.7
Motor length L2	31	45
Encoder length L3	10.7	12

Download datasheet: <https://assunmotor.com/documents-download>

Visit Our Website and Online Shop at <https://assunmotor.com> Contact: info@assunmotor.com

AM-36P Series

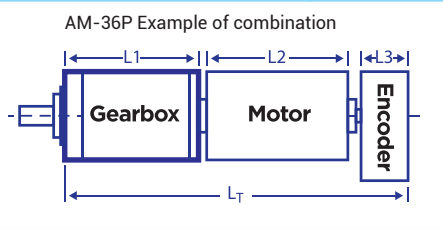


GEARBOX CHARACTER

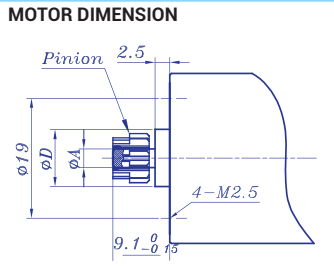
Gear type	Straight teeth	Average backlash on load	$\leq 2.5^\circ$
Output shaft	Stainless steel hardened	Radial Play	≤ 0.06
Main gear	Alloy Steel	Permissible axial load	$\leq 150N$
Ring gear	Steel	Permissible force press fits	$\leq 240N$ (5mm from mounting face)
Adapter plate	Aluminium alloy	Recommended inut speed	$\leq 8000RPM$
Bearing AT output	Ball bearing	Operating temperature range	$-20^\circ C \sim +50^\circ C$
Axial play	0-0.3	Operating humidity range	10-90%RH
Directions	CW/CCW		

GEARBOX DATA

Number of stage	1	2	3	4
Reduction ratio X:1	3.4	12 22	40 83 162	224 399 649 1270
	3.8	13 26	44 98 171	255 421 738
	4.3	14 32	50 111 202	283 446 824
	5.1	16 40	66 131	322 513 948
	6.3	19	75 150	358 570 1078
Reduction ratio absolute	75/22	5625/484 2277/104	421875/10648 75141/676	607500/2717 107163/209
	72/19	2700/209 4356/169	101250/2299 287496/2197	1164375/4576 5143824/9025
	69/16	5814/361 2079/65	388125/7744 71441/475	139725/494 2464749/3800
	66/13	621/38 3969/100	16200/247 137214/845	1071225/3328 18896409/25600
	63/10	4761/256	15525/208 273861/1600	1414017/3952 9056124/10985
			20493/247 130977/650	4499145/11264 2250423/2375
		313632/3211	1352538/3211 17253243/16000	
			980100/2197 8251551/6500	
Gearbox length "L" (mm)	30.7	39.3	47.9	56.5
Max. continuous torque (N.m)	2.7	3.6	4.5	5.4
Max. intermitten torque (N.m)	4	5.3	6.6	7.9
Gearbox efficiency	90%	81%	72%	65%
Moment of inertia range (g.cm ²)	4.9	4.9	6.1	6.1
Gearbox weight approx (g)	162	208	288	323
Gearbox model	AM-36PA-X-01	AM-36PB-X-01	AM-36PC-X-01	AM-36PD-X-01



INPUT GEARBOX DATA					
Modulus	0.5				
Press angle	20°				
Teeth number	10	13	16	19	22
Max gear hole "A"	2.5	4.0	5.0	6.0	
Max motor shaft	2.5	4.0	5.0	6.0	
Motor dimension "D"	13				



Recommend Motor:
Coreless Motor: (w/E)
AM-CL3570GAN

Brushless Motor (w/E)
AM-BL3660AN
AM-BL3675BF
AM-BL3690BF

Recommend Encoder:
Suitable for Coreless Motor
Encoder S: AM-EN2211S***
Encoder T: AM-EN2412T***

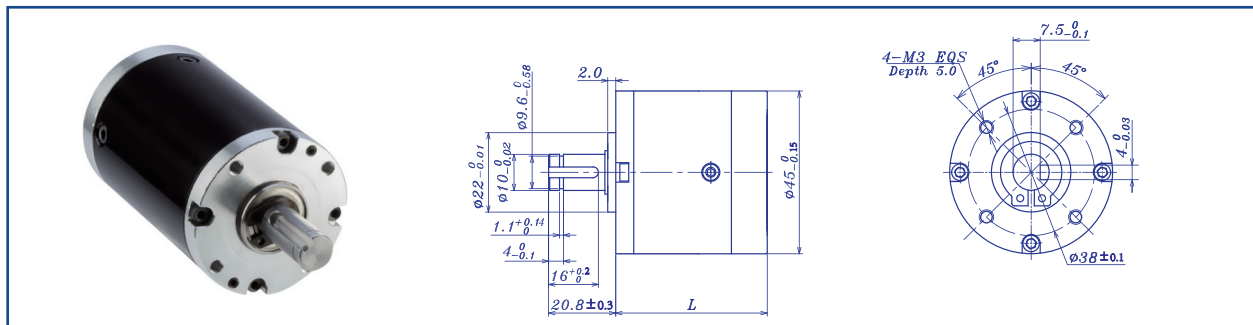
Suitable for Brushless Motor
Encoder S: AM-EN2211S***
Encoder T: AM-EN3612T***

GEARBOX MOTOR LENGTH "LT"		
Gear motor length L_T	113.2	110.5
Gearbox length L_1	30.7	39.3
Motor length L_2	70.5	60.5
Encoder length L_3	12	10.7

Download datasheet: <https://assunmotor.com/documents-download>

Visit Our Website and Online Shop at <https://assunmotor.com> Contact: info@assunmotor.com

AM-45P Series



GEARBOX CHARACTER			
Gear type	Straight teeth	Average backlash on load	≤1.5°
Output shaft	Stainless steel hardened	Radial Play	≤0.06
Main gear	Alloy Steel	Permissible axial load	≤150N
Ring gear	Steel	Permissible force press fits	≤280N (5mm from mounting face)
Adapter plate	Aluminium alloy	Recommended input speed	≤8000RPM
Bearing AT output	Ball bearing	Operating temperature range	-20°C ~ +50°C
Axial play	0-0.3	Operating humidity range	10-90%RH
Directions	CW/CCW		

GEARBOX DATA				
Number of stage	1	2	3	4
Reduction ratio X:1	3.4	12 22	40 83 162	224 399 649 1270
	3.8	13 26	44 98 171	255 421 738
	4.3	14 32	50 111 202	283 446 824
	5.1	16 40	66 131	322 513 948
	6.3	19	75 150	358 570 1078
Reduction ratio absolute	75/22	5625/484 2277/104	421875/10648 75141/676	607500/2717 107163/209
	72/19	2700/209 4356/169	101250/2299 287496/2197	1164375/4576 5143824/9025
	69/16	5814/361 2079/65	388125/7744 71441/475	139725/494 2464749/3800
	66/13	621/38 3969/100	16200/247 137214/845	1071225/3328 18896409/25600
	63/10	4761/256	15525/208 273861/1600	1414017/3952 9056124/10985
		20493/247 130977/650	4499145/11264 2250423/2375	
		313632/3211	1352538/3211 17253243/16000	
			980100/2197 8251551/6500	
Gearbox length "L" (mm)	38.9	49.7	60.5	71.3
Max. continuous torque (N.m)	5.4	7.2	9	10.8
Max. intermitten torque (N.m)	7.9	10.6	13.2	15.9
Gearbox efficiency	90%	81%	72%	65%
Moment of inertia range (g.cm ²)	12	14	14	15
Gearbox weight approx (g)	305	418	520	633
Gearbox model	AM-45PA-X-01	AM-45PB-X-01	AM-45PC-X-01	AM-45PD-X-01

AM-45P Example of combination

INPUT GEARBOX DATA	
Modulus	0.6
Press angle	20°
Teeth number	10 13 16 19 22
Max gear hole "A"	2.5 5.0 6.0 8.0
Max motor shaft	2.5 5.0 6.0 8.0
Motor dimension "D"	13.0 16.0

MOTOR DIMENSION	
Pinion	2.5
Shaft diameter	φ2.5
Shaft diameter	φ4
Shaft diameter	φ4.1
Thread	4-M3.0
Thread	1.3-2-0.15

RECOMMEND MOTOR			
Recommend Motor:	Coreless Motor: (w/E)	AM-CL3570GAN	AM-CL4071GAE
	Brushless Motor (w/E)	AM-BL3660AN	AM-BL45100AN
Recommend Encoder:	Suitable for Coreless Motor	Encoder S: AM-EN2211S***	Encoder T: AM-EN2412T***
	Suitable for Brushless Motor	Encoder S: AM-EN2211S***	Encoder T: AM-EN3612T***

GEARBOX MOTOR LENGTH "LT"			
Gear motor length L _T	119.6	121.7	172.5
Gearbox length L ₁	38.9	49.7	60.5
Motor length L ₂	70	60	100
Encoder length L ₃	10.7	12	12

Download datasheet: <https://assunmotor.com/documents-download>

Visit Our Website and Online Shop at <https://assunmotor.com> Contact: info@assunmotor.com

PLANETARY GEARBOX
PRECISION SERIES

Assun Planetary Gearbox of precision series are manufactured with the latest production technology to achieve very low backlash, higher efficiency, longer lifetime and higher output torque. Diameter from 16mm to 60mm, the precision series planetary gearboxes offer a wide range of high precision choices for DC drive solution.



AM-16P	AM-32P	AM-20GP	AM-36GP
AM-22P	AM-36P	AM-24GP	AM-40GP
AM-26P	AM-45P	AM-28GP	AM-45GP
AM-28P	AM-16GP	AM-32GP	AM-52GP

Company Name Abbreviation

AM - 16GPA - 5.4:1

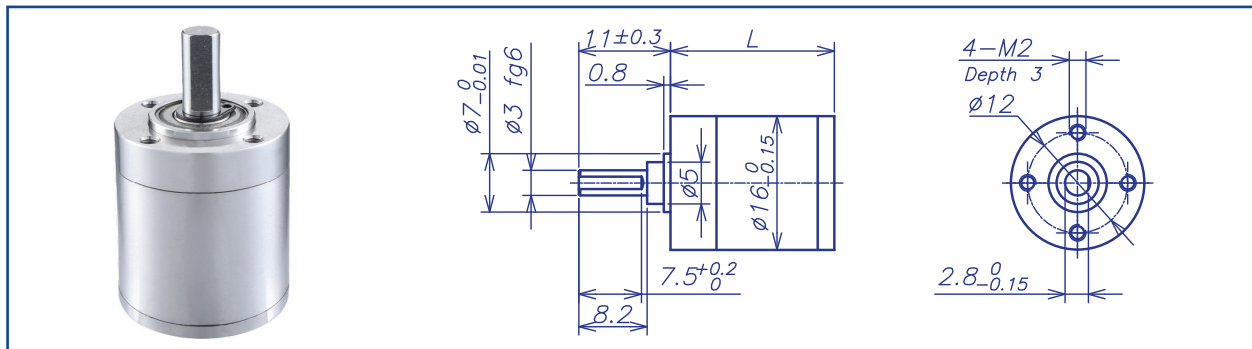
Gearbox Dimension
16 - Diameter (mm)

Gearbox Type
GP - Precisions Gearbox
P - Regular Gearbox

Gearbox Type
GP - Precisions Gearbox
P Regular Gearbox

Gear Ratio

AM-16GP Series

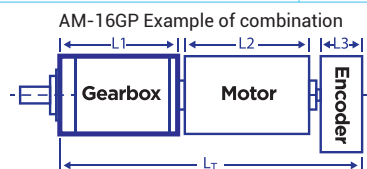


GEARBOX CHARACTER

Gear type	Straight teeth	Radial Play (6mm from flange)	max 0.1mm
Output shaft	Stainless steel hardened	Permissible force press fits	max. 100 N
Main gear	Alloy Steel hardened	Permissible axial load (dynamic)	max. 10N
Ring gear	Stainless steel hardened	Recommended input speed	8000RPM
Adapter plate	Stainless steel	Operating temperature range	-40°C ~ +100°C
Bearing AT output	Ball bearing	Operating humidity range	10-90%RH
Axial play	0-0.3	Number of stages	1 2 3 4
Directions	CW/CCW	Permissible load (6mm from flange)	15N 23N 23N 23N

GEARBOX DATA

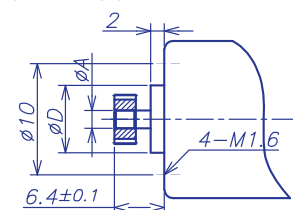
Number of stage	1			2		3			4				
	Reduction ratio X:1	3.8	4.4	5.4	14	29	53	84	157	198	370	590	850
Reduction ratio absolute	15/4	57/13	27/5	225/16	729/25	3375/64	185193/2197	19683/125	50625/256	10556001/28561			
				855/52		12825/208	4617/52		192375/832	263169/676			
				3249/169		48735/676	87723/845		731025/2704	6561/16	531441/3225		
				81/4		1215/16	2187/20		18225/64	5000211/10985			
			1539/65		41551/325	2777895/8788	124659/260	69255/208	2368521/4225	59049/100	1121931/1625		
Motor shaft max. diameter (mm)	2	1.5	2	1.5	2	1.5	2	1.5	2	1.5			
Gearbox length "L" (mm)	15.9			19.6		23.3			27				
Max. continuous torque (N.m)	0.1			0.2		0.25			0.3				
Max. intermittent torque (N.m)	0.15			0.3		0.375			0.45				
Average backlash no load	1.2°			1.4°		1.5°			1.5°				
Gearbox efficiency	90%			81%		73%			65%				
Max. mass inertia (g.cm ²)	0.05			0.06		0.06			0.06				
Gearbox weight approx (g)	20			25		30			35				
gearbox model	AM-16GPA-X			AM-16GPB-X		AM-16GPC-X			AM-16GPD-X				



INPUT GEARBOX DATA

Modulus	0.3		
Press angle	20°		
Teeth number	10	13	16
Max gear hole "A"	1.5	2.0	
Max motor shaft	1.5	2.0	
Motor dimension "D"	6.0		

MOTOR DIMENSION



Recommend Motor:

Coreless Motor (w/E):
AM-CL1623MAN
AM-CL1626MAN
AM-CL1633MAN
AM-CL1643MAN

Brushless Motor (w/E):
AM-BL1632AN
AM-BL1640AN

Recommend Encoder:

Suitable for Coreless Motor
Encoder S: AM-EN1611S***

Suitable for Brushless Motor

Encoder S: AM-EN1611S***
Encoder T: AM-EN1612T***

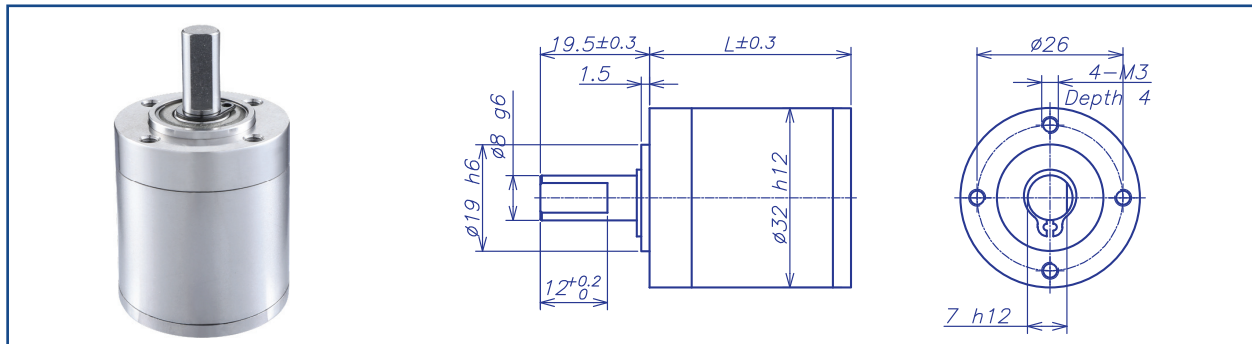
GEARBOX MOTOR LENGTH "LT"

Gear motor length L_T	49.6	67	79
Gear box length L_1	15.9	23.3	27
Motor length L_2	23	33	40
Encoder length L_3	10.7	10.7	12

Download datasheet: <https://assunmotor.com/documents-download>

Visit Our Website and Online Shop at <https://assunmotor.com> Contact: info@assunmotor.com

AM-32GP Series



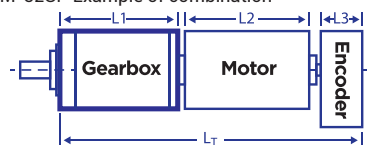
GEARBOX CHARACTER

Gear type	Straight teeth	Radial Play (10mm from flange)	max 0.1mm
Output shaft	Stainless steel hardened	Permissible force press fits	max. 150 N
Main gear	Alloy steel hardened	Permissible axial load (dynamic)	max. 120N
Ring gear	Stainless steel hardened	Recommended input speed	8000RPM
Adapter plate	Stainless steel	Operating temperature range	-40°C ~ +100°C
Bearing AT output	Ball bearing	Operating humidity range	10-90%RH
Axial play	0-0.3	Number of stages	1 2 3 4
Directions	CW/CCW	Permissible load (13mm from flange)	80N 130N 145N 145N

GEARBOX DATA

Number of stage	1			2		3			4			
	Reduction ratio X:1	3.4	4.2	5.8	11	33	38	72	190	130	301	642
Reduction ratio absolute				14		47	81		160	337	792	
				17		59	100		198	377		
				19		65	112		221	416		
				24			138		244	465		
									273	574		
Reduction ratio absolute	27/8	25/6	23/4	729/64	529/16	19683/512	15625/216	12167/64	531441/4096	390625/1296		279841/256
Motor shaft max. diameter (mm)	4	3		4	3		4	3		4		3
Gearbox length "L" (mm)	27.4			35.9		44.4			52.9			
Max. continuous torque (N.m)	0.8			2		3.6			4			
Max. intermittent torque (N.m)	1.2			3		5.4			6			
Average backlash no load	0.8°			1.0°		1.0°			1.0°			
Gearbox efficiency	90%			81%		73%			65%			
Max. mass inertia (g.cm ²)	1.75			1.82		1.82			1.82			
Gearbox weight approx (g)	155			200		245			290			
gearbox model	AM-32GPA-X			AM-32GPB-X		AM-32GPC-X			AM-32GPD-X			

AM-32GP Example of combination



Recommend Motor:

Coreless Motor (w/E)
AM-CL2831MAN
AM-CL2845MAN
Brushless Motor (w/E)
AM-BL2453AN
AM-BL2845AN
AM-BL3260AN
AM-BL3270AN
AM-BD2845AN
AM-BD3260AN
AM-BD3270AN

Recommend Encoder:

Suitable for Coreless Motor
Encoder S: AM-EN1611S***
2~3 Channels

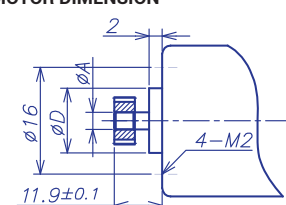
Suitable for Brushless Motor

Encoder S: AM-EN1611S***
2~3 Channels
Encoder T: AM-EN2412T***
2~3 Channels
Encoder S: AM-EN2211S***
2~3 Channels

INPUT GEARBOX DATA

Modulus	0.45		
Press angle	20°		
Teeth number	12	18	24
Max gear hole "A"	3	4	4
Max motor shaft	3	4	4
Motor dimension "D"	7	10	12

MOTOR DIMENSION



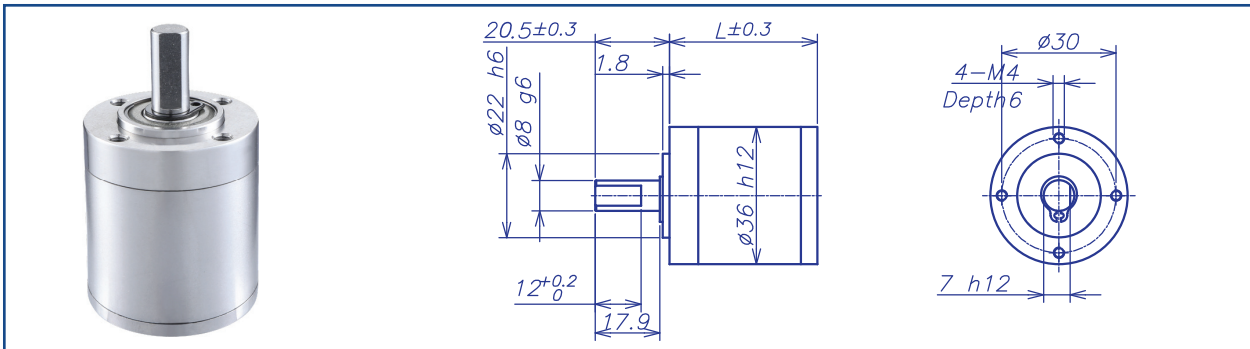
GEARBOX MOTOR LENGTH "LT"

Gear motor length L _T	83.1	106.6	126.4
Gear box length L ₁	27.4	35.9	44.4
Motor length L ₂	45	60	70
Encoder length L ₃	10.7	10.7	12

Download datasheet: <https://assunmotor.com/documents-download>

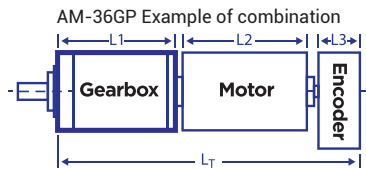
Visit Our Website and Online Shop at <https://assunmotor.com> Contact: info@assunmotor.com

AM-36GP Series



GEARBOX CHARACTER				
Gear type	Straight teeth	Radial Play (10mm from flange)	max 0.1mm	
Output shaft	Stainless steel hardened	Permissible force press fits	max. 150 N	
Main gear	Alloy steel hardened	Permissible axial load (dynamic)	max. 150N	
Ring gear	Stainless steel hardened	Recommended inut speed	8000RPM	
Adapter plate	Stainless steel	Operating temperature range	-40°C ~ +100°C	
Bearing AT output	Ball bearing	Operating humidity range	10-90%RH	
Axial play	0-0.3	Number of stages	1	2
Directions	CW/CCW	Permissible load (14mm from flange)	140N	230N

GEARBOX DATA												
Number of stage	1			2		3			4			
	Reduction ratio X:1	3.5	4.3	6.0	12	36	43	81	216	150	353	756
Reduction ratio absolute	7/2	13/3	6/1	49/4	36/1	343/8	2197/27	216/1	2401/16	28561/81		
Motor shaft max. diametre (mm)	6	4	6	4	6	4	6	4	6	6	4	4
Gearbox length "L" (mm)	30.6			39.6		48.6			57.6			
Max. continuous torque (N.m)	1.2			3		5			6			
Max. intermittent torque (N.m)	1.8			4.5		7.5			9			
Average backlash no load	0.7°			0.8°		0.8°			0.8°			
Gearbox efficiency	90%			81%		73%			65%			
Max. mass inertia (g.cm ²)	3			3.17		3.18			3.18			
Gearbox weight approx (g)	210			270		330			360			
gearbox model	AM-36GPA-X			AM-36GPB-X		AM-36GPC-X			AM-36GPD-X			

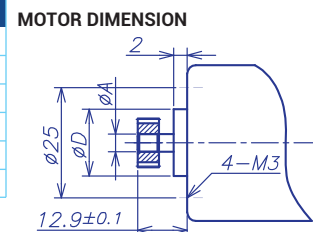


Recommend Motor:
Coreless Motor (w/E)
AM-CL3570GAN
AM-CL4071GAE
Brushless Motor (w/E)
AM-BL3260AN AM-BD3260AN
AM-BL3270AN AM-BD3270AN
AM-BL3660AN AM-BD3660AN
AM-BL3675BF
AM-BL3690BF

Recommend Encoder:
Suitable for Coreless Motor
Encoder S: AM-EN2211S***
Encoder T: AM-EN2412T***

Suitable for Brushless Motor
Encoder S: AM-EN2211S***
Encoder T: AM-EN2412T***
AM-EN3612T***

INPUT GEARBOX DATA	
Modulus	0.5
Press angle	20°
Teeth number	12 18 24
Max gear hole "A"	4 6 6
Max motor shaft	4 6 6
Motor dimension "D"	8 11 13.5


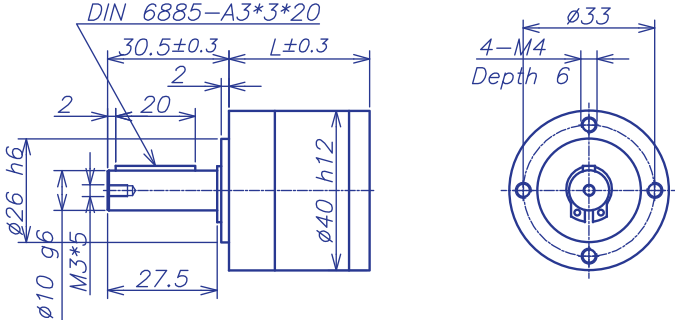


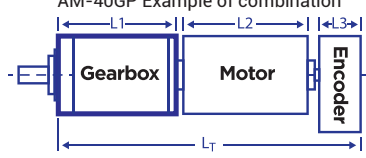
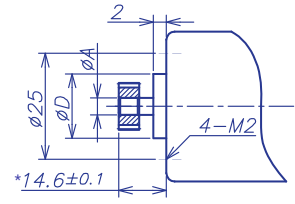
GEARBOX MOTOR LENGTH "LT"			
Gear motor length L _T	120.3	119.3	159.6
Gear box length L ₁	39.6	48.6	57.6
Motor length L ₂	70	60	90
Encoder length L ₃	10.7	10.7	12

Download datasheet: <https://assunmotor.com/documents-download>

Visit Our Website and Online Shop at <https://assunmotor.com> Contact: info@assunmotor.com

AM-40GP Series

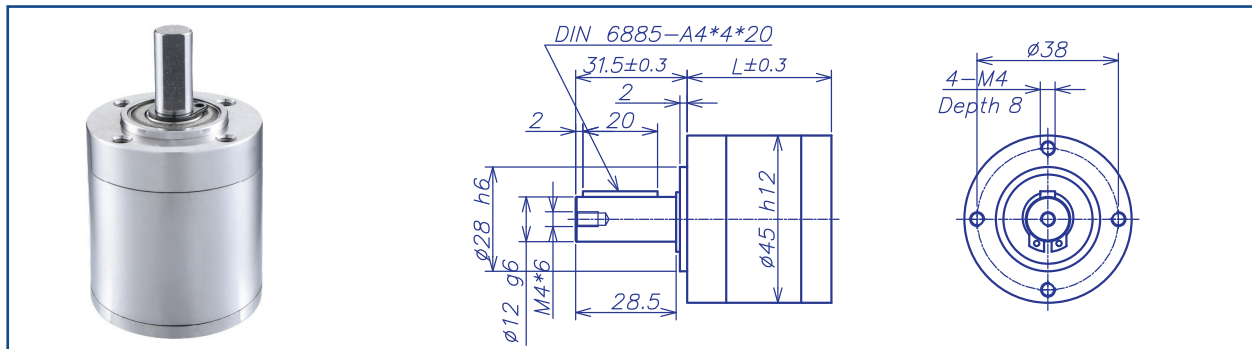
GEARBOX CHARACTER															
Gear type	Straight teeth				Radial Play (10mm from flange)				max 0.1mm						
Output shaft	Stainless steel hardened				Permissible force press fits				max. 150 N						
Main gear	Alloy steel hardened				Permissible axial load (dynamic)				max. 150N						
Ring gear	Stainless steel hardened				Recommended input speed				8000RPM						
Adapter plate	Stainless steel				Operating temperature range				-40°C ~ +100°C						
Bearing AT output	Ball bearing				Operating humidity range				10-90%RH						
Axial play	0-0.3				Number of stages				1	2	3	4			
Directions	CW/CCW				Permissible load (18mm from flange)				170N	250N	300N	300N			
GEARBOX DATA															
Number of stage	1			2		3			4						
Reduction ratio X:1	3.3	4	5.5	11	30	34	64	166	112	256	541	915			
				13		42	72		137	286	666				
				16		52	88		169	320					
				18		58	98		189	352					
				22			121		208	393					
Reduction ratio absolute	13/4	4/1	11/2	169/16	121/4	2197/64	64/1	1331/8	28561/256	256/1		14641/16			
				13/1		169/4	143/2		2197/16	286/1					
				16/1		52/1	88/1		169/1	20449/64					
				143/8		1859/32	1573/16		24167/128	352/1					
				22/1			121/1		208/1	1573/4	484/1				
Motor shaft max. diameter (mm)	6	5	6	5	6	5	6	5	6	5	6	5			
Gearbox length "L" (mm)	35.3			46.8		58.3			69.8						
Max. continuous torque (N.m)	2			3		7			9						
Max. intermittent torque (N.m)	3			4.5		10.5			13.5						
Average backlash no load	0.7°			0.8°		0.8°			0.8°						
Gearbox efficiency	90%			81%		73%			65%						
Max. mass inertia (g.cm ²)	7.12			7.46		7.49			7.5						
Gearbox weight approx (g)	320			415		510			605						
gearbox model	AM-40GPA-X			AM-40GPB-X		AM-40GPC-X			AM-40GPD-X						
AM-40GP Example of combination															
				INPUT GEARBOX DATA				MOTOR DIMENSION							
<p>Recommend Motor:</p> <p>Coreless Motor (w/E)</p> <p>AM-CL3570GAN</p> <p>AM-CL4071GAE</p> <p>Brushless Motor (w/E)</p> <p>AM-BL3660AN</p> <p>AM-BL3675BF</p> <p>AM-BL3690BF</p> <p>AM-BL4060BF</p> <p>AM-BD3660AN</p>				<p>Recommend Encoder:</p> <p>Suitable for Coreless Motor</p> <p>Encoder S: AM-EN2211S***</p> <p>Encoder T: AM-EN2412T***</p> <p>Suitable for Brushless Motor</p> <p>Encoder S: AM-EN2211S***</p> <p>Encoder T: AM-EN2412T***</p> <p>AM-EN3612T***</p>				Modulus		0.6					
								Press angle		20°					
								Teeth number		12 18 24					
								Max gear hole "A"		5 6 6					
Max motor shaft		5 6 6			Motor dimension "D"		9.5 13 16								
GEARBOX MOTOR LENGTH "LT"															
Gear motor length L _T				127.5		129			141.8						
Gear box length L ₁ *				46.8		58.3			69.8						
Motor length L ₂				70		60			60						
Encoder length L ₃				10.7		10.7			12						
*Note: If combined with AM-CL3570, L ₁ =L+5mm, distance between gear and motor=14.6+5mm.															

PLANETARY GEARBOX

Download datasheet: <https://assunmotor.com/documents-download>

Visit Our Website and Online Shop at <https://assunmotor.com> Contact: info@assunmotor.com

AM-45GP Series

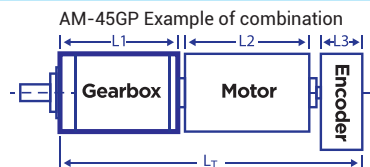


GEARBOX CHARACTER

Gear type	Straight teeth	Radial Play (10mm from flange)	max 0.1mm
Output shaft	Stainless steel hardened	Permissible force press fits	max. 300 N
Main gear	Alloy steel hardened	Permissible axial load (dynamic)	max. 150N
Ring gear	Alloy steel hardened	Recommended input speed	8000RPM
Adapter plate	Stainless steel hardened	Operating temperature range	-40°C ~ +100°C
Bearing AT output	Ball bearing	Operating humidity range	10-90%RH
Axial play	0-0.3	Number of stages	1 2 3 4
Directions	CW/CCW	Permissible load (18mm from flange)	180N 280N 370N 370N

GEARBOX DATA

Number of stage	1			2		3			4			
	Reduction ratio X:1	3.3	4.0	5.2	11	27	37	64	141	123	256	469
Reduction ratio absolute	10/3	4/1	26/5	100/9	676/25	1000/27	64/1	17576/125	10000/81	256/1	469/5	456976/625
Motor shaft max. diameter (mm)	8	6	8	6	8	6	8	6	8	6	8	6
Gearbox length "L" (mm)	36.1			48.1		60.1			72.1			
Max. continuous torque (N.m)	3			7		12			14			
Max. intermittent torque (N.m)	4.5			10.5		18			21			
Average backlash no load	0.6°			0.7°		0.7°			0.7°			
Gearbox efficiency	90%			81%		73%			65%			
Max. mass inertia (g.cm ²)	12.85			13.35		13.39			13.4			
Gearbox weight approx (g)	435			560		685			810			
gearbox model	AM-45GPA-X			AM-45GPB-X		AM-45GPC-X			AM-45GPD-X			



Recommend Motor:
Coreless Motor (w/E)
AM-CL3570GAN
AM-CL4071GAE
Brushless Motor (w/E)
AM-BL3660AN AM-BD3660AN
AM-BL3675BF AM-BD45100AN
AM-BL3690BF
AM-BL4060BF
AM-BL45100AN
AM-BL45100BF

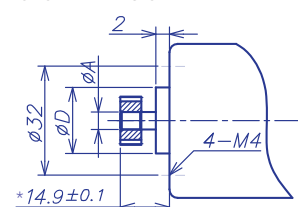
Recommend Encoder:
Suitable for Coreless Motor
Encoder S: AM-EN2211S***
Encoder T: AM-EN2412T***

Suitable for Brushless Motor
Encoder S: AM-EN2211S***
Encoder T: AM-EN3612T***

INPUT GEARBOX DATA

Modulus	0.6		
Press angle	20°		
Teeth number	15	21	27
Max gear hole "A"	6.0	8.0	8.0
Max motor shaft	6.0	8.0	8.0
Motor dimension "D"	11	15	18

MOTOR DIMENSION



GEARBOX MOTOR LENGTH "LT"

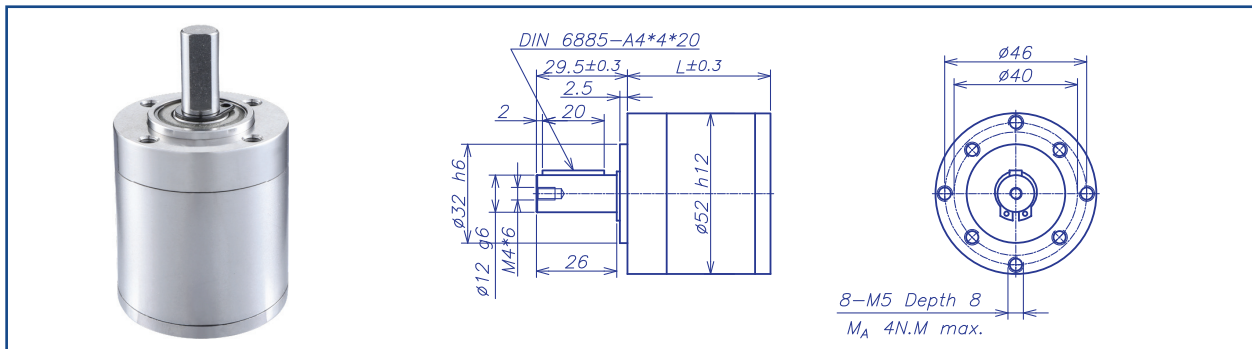
Gear motor length L _T	130.8	184.1
Gear box length L ₁ *	60.1	72.1
Motor length L ₂	60	100
Encoder length L ₃	10.7	12

*Note: If combined with AM-CL3570, L1=L+5mm, distance between gear and motor=14.9+5mm.

Download datasheet: <https://assunmotor.com/documents-download>

Visit Our Website and Online Shop at <https://assunmotor.com> Contact: info@assunmotor.com

AM-52GP Series



GEARBOX CHARACTER

Gear type	Straight teeth	Radial Play (12mm from flange)	max 0.1mm			
Output shaft	Stainless steel hardened	Permissible force press fits	max. 500 N			
Main gear	Alloy steel hardened	Permissible axial load (dynamic)	max. 200N			
Ring gear	Alloy steel hardened	Recommended inut speed	6000RPM			
Adapter plate	Aluminium alloy	Operating temperature range	-40°C ~ +100°C			
Bearing AT output	Ball bearing	Operating humidity range	10-90%RH			
Axial play	0-0.3	Number of stages	1	2	3	4
Directions	CW/CCW	Permissible load (12mm from flange)	420N	630N	900N	900N

GEARBOX DATA

Number of stage	1		2		3		4			
Reduction ratio X:1	3.5	4.3	12 15 21	19 26	43 53 66 74 126	81 91 113 156	150 186 230 257 285	319 394 441 546 756	353 488 546 676 936	
Reduction ratio absolute	7/2	13/3	49/4 91/6 21/1	169/9 26/1	343/8 637/12 1183/18 126/1	2197/27 91/1 338/3 156/1	2401/16 4459/24 8281/36 1029/4 15379/54	637/2 1183/3 441/1 546/1 756/1	28561/81 4394/9 546/1 676/1 936/1	
Motor shaft max. diameter (mm)	10	8	10	8	10	8	10	8		
Gearbox length "L" (mm)	46.3		62.8		79.3		95.8			
Max. continuous torque (N.m)	4		15		30		30			
Max. intermittent torque (N.m)	6		22.5		45		45			
Average backlash no load	0.6°		0.7°		0.7°		0.7°			
Gearbox efficiency	90%		81%		73%		65%			
Max. mass inertia (g.cm ²)	19.99		20.98		21.06		21.07			
Gearbox weight approx (g)	510		720		930		1140			
gearbox model	AM-52GPA-X		AM-52GPB-X		AM-52GPC-X		AM-52GPD-X			

AM-52GP Example of combination

INPUT GEARBOX DATA

Modulus	0.7
Press angle	20°
Teeth number	12 18 24
Max gear hole "A"	- 8.0 10
Max motor shaft	- 8.0 10
Motor dimension "D"	- 15 19

MOTOR DIMENSION

RECOMMENDATION

Recommend Motor: Coreless Motor (w/E)

Recommend Encoder: Suitable for Coreless Motor

Brushless Motor (w/E): AM-BL4060BF, AM-BD45100AN, AM-BL45100AN, AM-BL45100BF

Suitable for Brushless Motor Encoder S: AM-EN2211S***

Encoder T: AM-EN3612T***

GEARBOX MOTOR LENGTH "LT"

Gear motor length L _T	190
Gear box length L ₁	79.3
Motor length L ₂	100
Encoder length L ₃	10.7

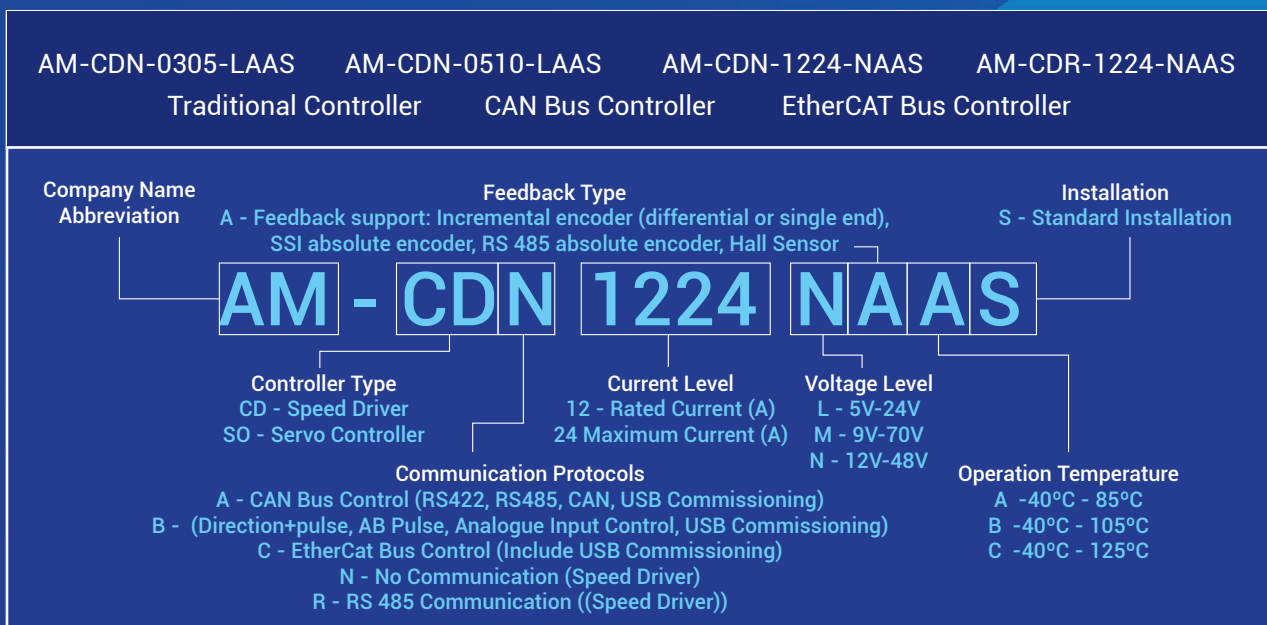
Download datasheet: <https://assunmotor.com/documents-download>

Visit Our Website and Online Shop at <https://assunmotor.com> Contact: info@assunmotor.com

CONTROLLER

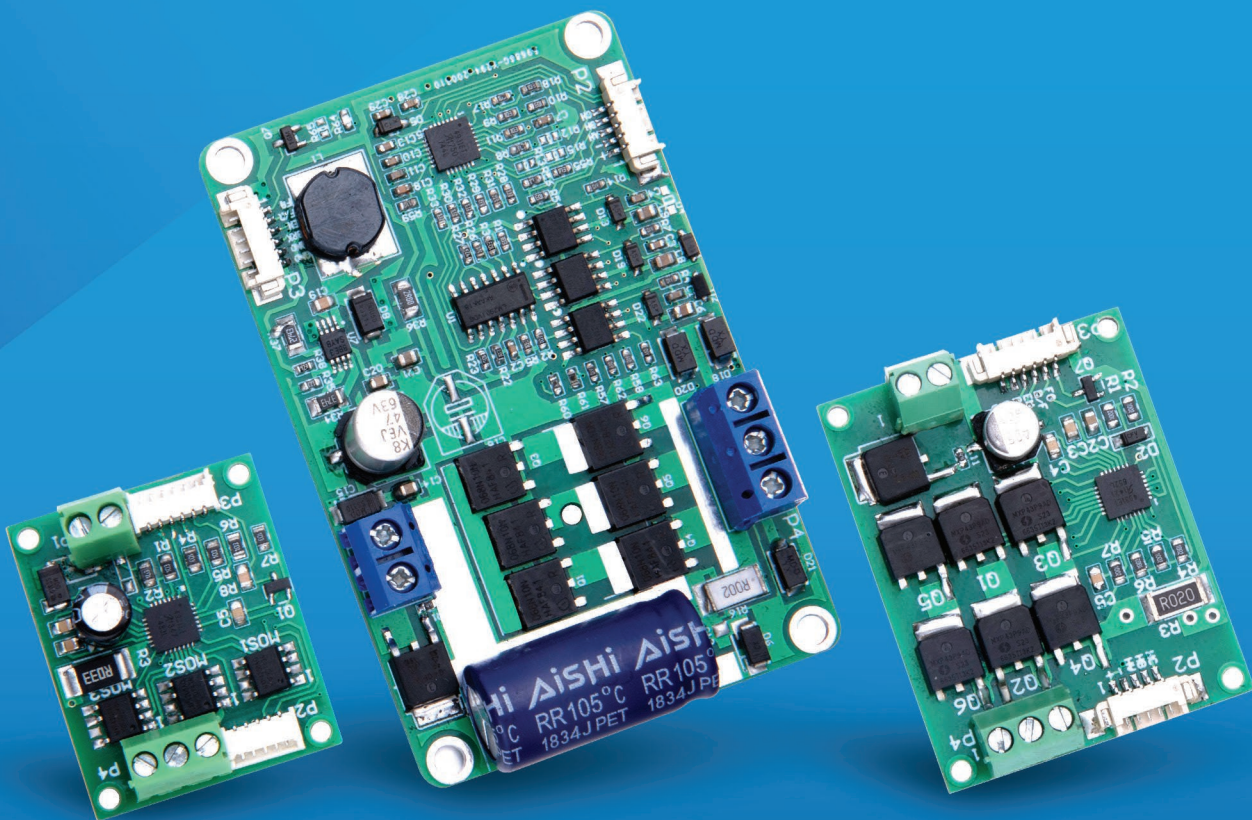
Assun controllers include speed drivers and servo controllers. The speed drivers are usually used to drive the motor with several simple control functions, and servo controllers are used to achieve accurate speed, torque and position control.

Assun Servo Controllers are compact and efficient, customer may choose Can Open, Ether Cat and RS485 communication protocols based on their needs.

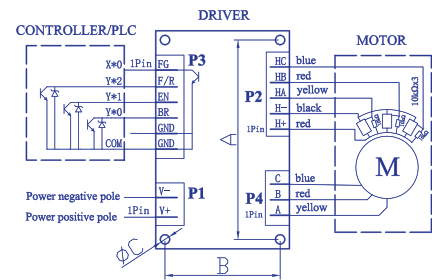


CONT ROLLER
SPEED DRIVER

Assun Speed Drivers are made to drive the brushless DC motors with several potential control functions like speed control, rotation direction control and speed feedback. Customer can choose different models based on the specific current rating.



AM-CDN-0305-LAAS (3 Amps)



SYSTEM CHARACTERISTICS:	INFORMATION:	INSTALLATION NOTES:
Input Voltage: 12~28V DC	Dimension: Length: 34mm. width: 28mm	a) Please install in dry and ventilated place
Continuous Current: 3A	Hole Size: A: 30.0mm; B: 24.0mm; C: 2.1mm	b) Avoid vibration and collision
Temperature - Operation: 0 ~+45°C	Cooling Method: Natural Cooling	c) Do not let metal dust and iron cut falling on controller
Temperature - Storage: -20 ~+85°C	Protective Function: Current limit, Undervoltage	d) Fix installation is needed
Humidity: ≤85% (non-condensing)	Weight: 8.5g	e) Use quality connection cables

INTERFACE & CONTROL SIGNALS

P1: Electric Connections

Number	Name	Note
1	M+	Power Vcc
2	M-(GND)	Power GND

P2: Motor Sensor Connections

Number	Name	Note
1	H+	Hall sensor power supply Vcc
2	H-	Hall sensor power supply GND
3	HA	Hall Sensor Phase A
4	HB	Hall Sensor Phase B
5	HC	Hall Sensor Phase C

P3: Control Signal Connections

Number	Name	Note (Low: 0~0.8VDC; High: 2.2~5.0VDC; Null: Not Connect)
1	FG	Motor Speed Signal Output (3 puls/turn)
2	F/R	Direction port (Low-CW; High/Null-CCW); Direction defined when looking from motor front.
3	EN	Enable port (Low-Motor rotate; High/Null-motor stop). This port can be used as PWM control (PWM requirement: 20KHz, the lower the duty cycle, the higher the speed).
4	BR	Brake port (Low-Brake; High/Null-Release)
5	GND	Control GND
6	GND	Control GND

P4: Motor Electric Connection

Number	Name	Note
1	A	Motor Winding A (U)
2	B	Motor Winding B (V)
3	C	Motor Winding C (W)

NOTE ON USAGE

- Controller should be installed with 20mm space for cooling. The environment should be ventilated
- When using the braking function, please calculate the braking speed. Ensure that the motor speed is lower than the braking speed to avoid high back EMF which will damage the components
- Change direction only when motor stopped completely to prevent damage of electronic components.
- The controller is a two-quadrant operation mode, it cannot be use when speed change is rapid.
- Please read this instruction carefully before installation. Whenever there is problem, please stop the current immediately.

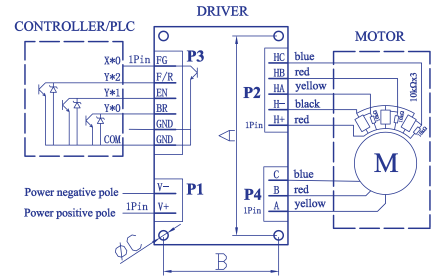
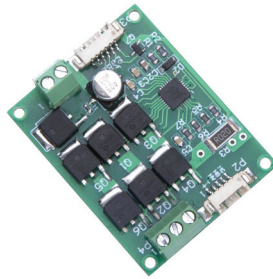
REMARKS

Data Tested at 25°.

Operation exceeds continuous limits of operating range will compromise the life of the device.

Download datasheet: <https://assunmotor.com/documents-download>

AM-CDN-0510-LAAS (5 Amps)



SYSTEM CHARACTERISTICS:	INFORMATION:	INSTALLATION NOTES:
Input Voltage: 12~28V DC	Dimension: Length: 48mm. width: 36mm	a) Please install in dry and ventilated place
Continuous Current: 5A	Hole Size: A: 42.0mm; B: 32.0mm; C: 2.1mm	b) Avoid vibration and collision
Temperature - Operation: 0 ~+45°C	Cooling Method: Natural Cooling	c) Do not let metal dust and iron cut falling on controller
Temperature - Storage: -20 ~+85°C	Protective Function: Current limit, Undervoltage	d) Fix installation is needed
Humidity: ≤85% (non-condensing)	Weight: 10g	e) Use quality connection cables

INTERFACE & CONTROL SIGNALS

P1: Electric Connections

Number	Name	Note
1	M+	Power Vcc
2	M-(GND)	Power GND

P2: Motor Sensor Connections

Number	Name	Note
1	H+	Hall sensor power supply Vcc
2	H-	Hall sensor power supply GND
3	HA	Hall Sensor Phase A
4	HB	Hall Sensor Phase B
5	HC	Hall Sensor Phase C

P3: Control Signal Connections

Number	Name	Note (Low: 0~0.8VDC; High: 2.2~5.0VDC; Null: Not Connect)
1	FG	Motor Speed Signal Output (3 puls/turn)
2	F/R	Direction port (Low-CW; High/Null-CCW); Direction defined when looking from motor front.
3	EN	Enable port (Low-Motor rotate; High/Null-motor stop). This port can be used as PWM control (PWM requirement: 20KHz, the lower the duty cycle, the higher the speed).
4	BR	Brake port (Low-Brake; High/Null-Release)
5	GND	Control GND
6	GND	Control GND

P4: Motor Connections

Number	Name	Note
1	A	Motor Winding A (U)
2	B	Motor Winding B (V)
3	C	Motor Winding C (W)

NOTE ON USAGE

- Controller should be installed with 20mm space for cooling. The environment should be ventilated
- When using the braking function, please calculate the braking speed. Ensure that the motor speed is lower than the braking speed to avoid high back EMF which will damage the components
- Change direction only when motor stopped completely to prevent damage of electronic components.
- The controller is a two-quadrant operation mode, it cannot be use when speed change is rapid.
- Please read this instruction carefully before installation. Whenever there is problem, please stop the current immediately.

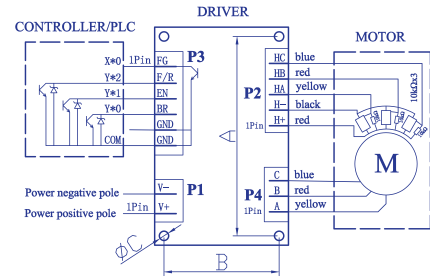
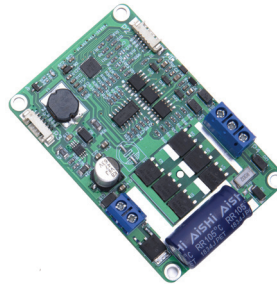
REMARKS

Data Tested at 25°.

Operation exceeds continuous limits of operating range will compromise the life of the device.

Download datasheet: <https://assunmotor.com/documents-download>

AM-CDN-1224-NAAS (12 Amps)



SYSTEM CHARACTERISTICS:	INFORMATION:	INSTALLATION NOTES:
Input Voltage: 12~48V DC	Dimension: Length: 77mm. width: 50mm	a) Please install in dry and ventilated place
Continuous Current: 12A	Hole Size: A: 71.4mm; B: 43.2mm; C: 3.4mm	b) Avoid vibration and collision
Temperature - Operation: 0 ~+45°C	Cooling Method: Natural Cooling	c) Do not let metal dust and iron cut falling on controller
Temperature - Storage: -20 ~+85°C	Protective Function: Current limit, Undervoltage	d) Fix installation is needed
Humidity: ≤85% (non-condensing)	Weight: 40g	e) Use quality connection cables

INTERFACE & CONTROL SIGNALS

P1: Electric Connections

Number	Name	Note
1	M+	Power Vcc
2	M-(GND)	Power GND

P2: Motor Sensor Connections

Number	Name	Note
1	H+	Hall sensor power supply Vcc
2	H-	Hall sensor power supply GND
3	HA	Hall Sensor Phase A
4	HB	Hall Sensor Phase B
5	HC	Hall Sensor Phase C

P3: Control Signal Connections

Number	Name	Note (Low: 0~0.8VDC; High: 2.2~5.0VDC; Null: Not Connect)
1	FG	Motor Speed Signal Output (3 puls/turn)
2	F/R	Direction port (Low-CW; High/Null-CCW); Direction defined when looking from motor front.
3	EN	Enable port (Low-Motor rotate; High/Null-motor stop). This port can be used as PWM control (PWM requirement: 20KHz, the lower the duty cycle, the higher the speed).
4	BR	Brake port (Low-Brake; High/Null-Release)
5	GND	Control GND
6	GND	Control GND

P4: Motor Electric Connection

Number	Name	Note
1	A	Motor Winding A (U)
2	B	Motor Winding B (V)
3	C	Motor Winding C (W)

NOTE ON USAGE

- Controller should be installed with 20mm space for cooling. The environment should be ventilated
- When using the braking function, please calculate the braking speed. Ensure that the motor speed is lower than the braking speed to avoid high back EMF which will damage the components
- Change direction only when motor stopped completely to prevent damage of electronic components.
- The controller is a two-quadrant operation mode, it cannot be used when speed change is rapid.
- Please read this instruction carefully before installation. Whenever there is a problem, please stop the current immediately.

REMARKS

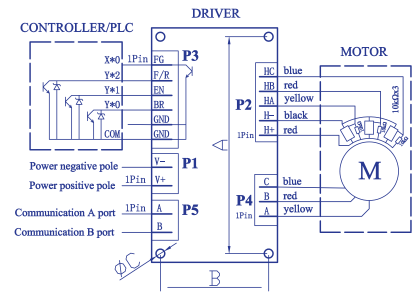
Data Tested at 25°.

Operation exceeds continuous limits of operating range will compromise the life of the device.

Download datasheet: <https://assunmotor.com/documents-download>

CONTROLLER
SPEED DRIVER

AM-CDR-1224-NAAS
(12 Amps + RS485)



SYSTEM CHARACTERISTICS:	INFORMATION:	INSTALLATION NOTES:
Input Voltage: 12~48V DC	Dimension: Length: 76mm. width: 50mm	a) Please install in dry and ventilated place
Continuous Current: 12A	Hole Size: A: 71.4mm; B: 43.2mm; C: 3.4mm	b) Avoid vibration and collision
Temperature - Operation: 0 ~+45°C	Cooling Method: Natural Cooling	c) Do not let metal dust and iron cut falling on controller
Temperature - Storage: -20 ~+85°C	Protective Function: Current limit, Undervoltage	d) Fix installation is needed
Humidity: ≤85% (non-condensing)	Weight: 40g	e) Use quality connection cables

INTERFACE & CONTROL SIGNALS

P1: Electric Connections

Number	Name	Note
1	M+	Power Vcc
2	M-(GND)	Power GND

P2: Motor Sensor Connections

Number	Name	Note
1	H+	Hall sensor power supply Vcc
2	H-	Hall sensor power supply GND
3	HA	Hall Sensor Phase A
4	HB	Hall Sensor Phase B
5	HC	Hall Sensor Phase C

P5: Communication Connections

Number	Name	Note
1	A	485 communication prot A
2	B	485 communication prot B

P3: Control Signal Connections

Number	Name	Note (Low: 0~0.8VDC; High:2.2~5.0VDC; Null: Not Connect)
1	FG	Motor Speed Signal Output (3 pul/turn)
2	F/R	Direction port (Low-CW; High/Null-CCW); Direction defined when looking from motor front.
3	EN	Enable port (Low-Motor rotate; High/Null-motor stop). This port can be used as PWM control (PWM requirement: 20KHz, the lower the duty cycle, the higher the speed).
4	BR	Brake port (Low-Brake; High/Null-Release)
5	GND	Control GND
6	GND	Control GND

P4: Motor Connections

Number	Name	Note
1	A	Motor Winding A (U)
2	B	Motor Winding B (V)
3	C	Motor Winding C (W)

NOTE ON USAGE

- Controller should be installed with 20mm space for cooling. The environment should be ventilated
- When using the braking function, please calculate the braking speed. Ensure that the motor speed is lower than the braking speed to avoid high back EMF which will damage the components
- Change direction only when motor stopped completely to prevent damage of electronic components.
- The controller is a two-quadrant operation mode, it cannot be use when speed change is rapid.
- Please read this instruction carefully before installation. Whenever there is problem, please stop the current immediately.

REMARKS

Data Tested at 25°. Operation exceeds continuous limits of operating range will compromise the life of the device.

Download datasheet: <https://assunmotor.com/documents-download>

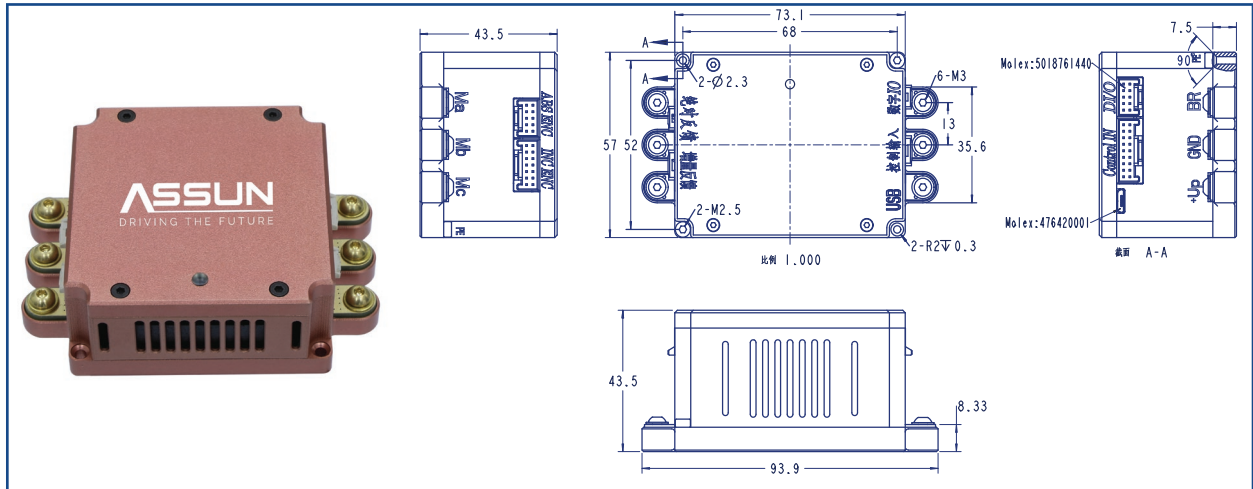
Visit Our Website and Online Shop at <https://assunmotor.com> Contact: info@assunmotor.com

SERVO CONTROLLER _____
SERVO CONTROLLER

Assun Servo Controllers are produced for close-loop speed, torque and position control of DC brushed and brushless motors. High precision character of the controller is favored by many applications with DC drive control. Models of Traditional Control (without communication) and Bus Control (with communication) have been provided for customer to choose the suitable type. Can Open, Ether Cat and RS485/422 communication protocols are provided for bus control systems.



Traditional Controller



Model		Servo Controller (Traditional Control)				
		AM-SOB-0510-MAAS	AM-SOB-0510-MAAS	AM-SOB-0510-MAAS	AM-SOB-1020-MAAS	AM-SOB-1530-MAAS
Dimension (mm)		73.1*57*43.5				
Weight (g)		225				
Fundamental Specs	Output Rated Current (Continuous, RMS)	1 A	2 A	5 A	10	15 A
	Output Max. Current (Intermittent, RMS)	3 A	6 A	10 A	20	30 A
	Input Power Supply Voltage Range	12 VDC~48 VDC (Usually according to Motor Rated Voltage)				
	Overload Recognition Time	3 s				
	Overload Trip Reset Delay	30 s				
	Temperature Raise	(Under Rated Current) 30min≤40K				
	Working Frequency	6khz ~ 34khz				
Rated Electric Insulation		Under DC voltage 1000V from input/output to housing, current leakage smaller than 3mA				
Total Electric Resistance		≥1MΩ (Temp. 40°C, RH 95%, no condensing water)				
Mean Time Before Failure (MTBF)		≥8000 Hrs				
Power Control		For BLDC & Servo Motor: SVPWM, Square Wave For Brushed Motor: Bipolar PWM				
IP Level		IP20				
Cooling Type		Natural Air Cool				
Connection Portal Info	Analog Voltage Input Portal	2 Channel (±10V)				
	Digital IO Input Portal	4 Channel (5VDC~24VDC), hardware default in high voltage level when not connected. Detail control functions can be set and adjusted by changing parameters.				
	Digital IO Output Portal	4 Channel (All four channels are open collector output, highest voltage at 30V; First three channels have max. continuous current of 0.25A, and last channel has max. continuous current of 2A)				
	Direction + Pulse	1 set of Direction + Pulse (Differential & Non-differential)				
	Feedback Type	Electromagnetic/Optical Incremental Encoder; SSI Absolute Encoder; RS 485 Absolute Encoder				

Download datasheet: <https://assunmotor.com/documents-download>

Visit Our Website and Online Shop at <https://assunmotor.com> Contact: info@assunmotor.com

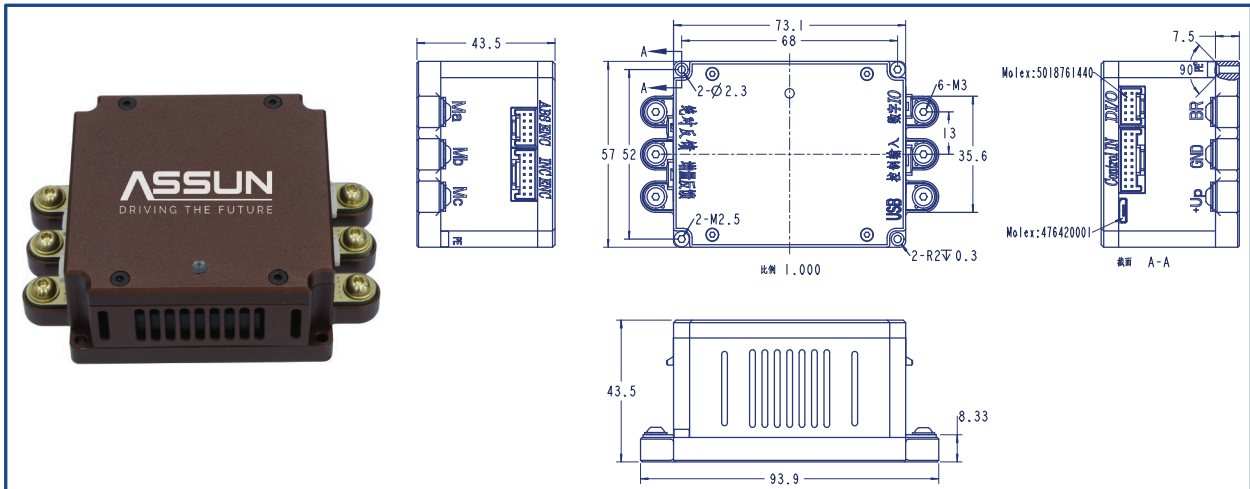
Traditional Controller

Model		Servo Controller (Traditional Control)		
Basic Function	Application Mode	Position Closed-loop Control / Speed Closed-loop Control / Torque Closed-loop Control		
	Preparation Time	Power on and no malfunction, controller ready in 3 seconds		
	Hardware Protection Threshold	Under Voltage	9.5 V	
		Over Voltage	75 V	
		Over Current	Over Current Protection	
		Overheat	85°C Automate Alarm and Shut Down	
		Power Switch	Equipped power switch to turn on or off the motor.	
	Software Protection	Malfunction Lock	Automate slow down and stop when detect malfunction, and lock the malfunction for inspection.	
		Over Load	When current is continuously over Max. continuous current for 10 seconds, default to alarm for malfunction.	
		Over Current	Monitor real time current value, immediate cut off motor output when current over the pre-set value.	
		Differential Protection	Current or speed setting and feedback differential protection	
	Digital IO	Input	Multiplex the following functions by adjusting parameters: Servo start, zero-speed position clamp, emergency shut down, origin point signal, positive position limit, negative position limit.	
		Output	Multiplex the following functions by adjusting parameters: Power supply under voltage, position abnormal, hall feedback abnormal, over current, over load, driver overheat, current differentiate, speed differentiate, power supply over voltage, servo ready, servo operation, zero speed arrival, targeted speed arrival, targeted position arrival, brake output, origin point recover finish, error alarm, negative stall, positive stall, negative indicate.	
	Communication Portal	USB	Usually for Commissioning (also support host computer control)	
CAN		N/A		
RS422/485		N/A		
Transmission Distance		Based on the hardware connection		
Torque Control	Stop Response	Rise times \leq 1.5ms ; Over tune \leq 5% ; Shock \leq 2 times		
	Current Closed Loop Control	\geq 1KHz		
	Speed Limitation	Parameter Limits		
Speed Control	Speed Feedback	Based on Encoder		
	Encoder Power Supply	+5V \pm 2%/500mA		
	Speed Ratio	\geq 3000 : 1		
	Step Response	Rise times \leq 40ms ; Overtunes \leq 15% ; Shock \leq 2.5 times		
	Sinusoidal Band Response	\geq 500Hz		
	Static Error Rate	\leq 0.4% (In speed 1000RPM, rated torque load)		
	Speed Fluctuation Rate	\leq 0.6%		
	Linearity	\leq 0.45%		
Position Close-Loop Control	Highest input pulse frequency	Digital Insulation 500K (1 meter cable)		
	Pulse commande mode	AB Pulse; Direction + Pulse		
	Command control mode	Outer Pulse control, analogue input		
	Electronic gear ratio	Electronic Gear N/M, N: 1 \sim 65535, M: 1 \sim 65535 (parameter setting)		
	Torque Limit	(Parameter Setting)		
Environmental Requirements	Operation Temp.	-30°C+60°C		
	Storage Temp.	-30°C+65°C		
	Relative Humidity	0%~90%RH (No condensing)		
	Vibration Requirements	Frequency 5Hz to 25Hz, amplitude with 1.6mm; Frequency 25Hz to 200Hz, Acceleration within 1.2g, time 30min.		

Download datasheet: <https://assunmotor.com/documents-download>

Visit Our Website and Online Shop at <https://assunmotor.com> Contact: info@assunmotor.com

CAN BUS CONTROLLER



Model		Servo Controller (CAN Bus Control)				
		AM-SOA-0103-MAAS	AM-SOA-0206-MAAS	AM-SOA-0510-MAAS	AM-SOA-1020-MAAS	AM-SOA-1530-MAAS
Dimension (mm)		73.1*57*43.5				
Weight (g)		225				
Fundamental Specs	Output Rated Current (Continuous, RMS)	1 A	2 A	5 A	10	15 A
	Output Max. Current (Intermittent, RMS)	3 A	6 A	10 A	20	30 A
	Input Power Supply Voltage Range	12 VDC~48 VDC (Usually according to Motor Rated Voltage)				
	Overload Recognition Time	3 s				
	Overload Trip Reset Delay	30 s				
	Temperature Raise	(Under Rated Current) 30min≤40K				
	Working Frequency	6khz ~ 34khz				
Rated Electric Insulation		Under DC voltage 1000V from input/output to housing, current leakage smaller than 3mA				
Total Electric Resistance		≥1MΩ (Temp. 40°C, RH 95%, no condensing water)				
Mean Time Before Failure (MTBF)		≥8000 Hrs				
Power Control		For BLDC & Servo Motor: SVPWM, Square Wave For Brushed Motor: Bipolar PWM				
IP Level		IP20				
Cooling Type		Natural Air Cool				
Connection Portal Info	Analog Voltage Input Portal	N/A				
	Digital IO Input Portal	4 Channel (5VDC~24VDC), hardware default in high voltage level when not connected. Detail control functions can be set and adjusted by changing parameters.				
	Digital IO Output Portal	4 Channel (All four channels are open collector output, highest voltage at 30V; First three channels have max. continuous current of 0.25A, and last channel has max. continuous current of 2A)				
	Direction + Pulse	N/A				
	Feedback Type	Electromagnetic/Optical Incremental Encoder; SSI Absolute Encoder; RS 485 Absolute Encoder				

Download datasheet: <https://assunmotor.com/documents-download>

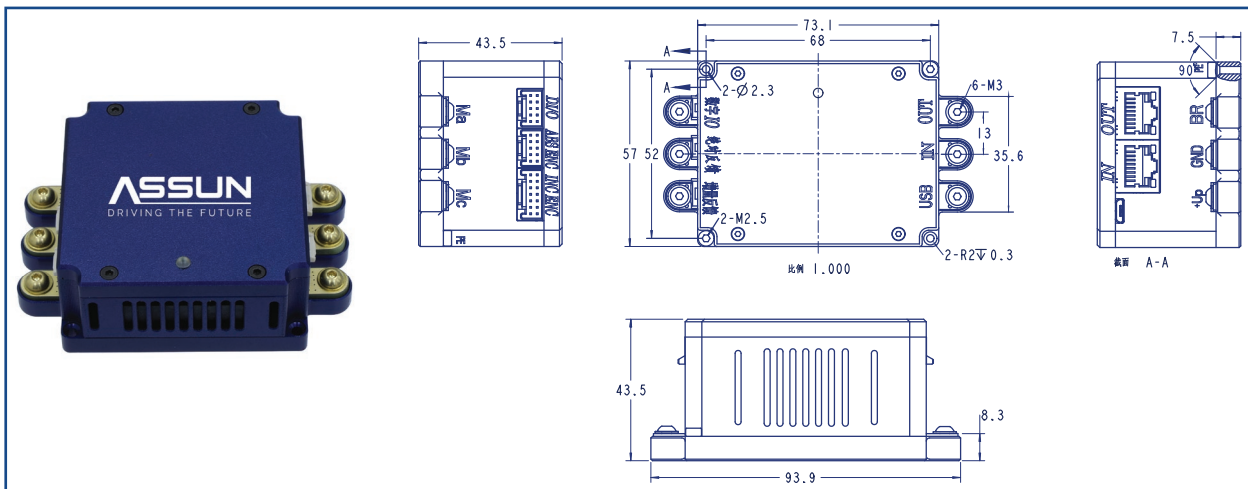
CAN BUS CONTROLLER

Model		Servo Controller (Bus Control)		
Basic Function	Application Mode	Position Closed-loop Control / Speed Closed-loop Control / Torque Closed-loop Control		
	Preparation Time	Power on and no malfunction, controller ready in 3 seconds.		
	Hardware Protection Threshold	Under Voltage	9.5 V	
		Over Voltage	75 V	
		Over Current	Over Current Protection	
		Overheat	85 Automate Alarm and Shut Down	
		Power Switch	Equipped power switch to turn on or off the motor.	
	Software Protection	Malfunction Lock	Automate slow down and stop when detect malfunction, and lock the malfunction for inspection.	
		Over Load	When current is continuously over Max. continuous current for 10 seconds, default to alarm for malfunction.	
		Over Current	Monitor real time current value, immediate cut off motor output when current over the pre-set value.	
		Differential Protection	Current or speed setting and feedback differential protection	
	Digital IO	Input	Multiplex the following functions by adjusting parameters: Servo start, zero-speed position clamp, emergency shut down, origin point signal, positive position limit, negative position limit.	
		Output	Multiplex the following functions by adjusting parameters: Power supply under voltage, position abnormal, hall feedback abnormal, over current, over load, driver overheat, current differentiate, speed differentiate, power supply over voltage, servo ready, servo operation, zero speed arrival, targeted speed arrival, targeted position arrival, brake output, origin point recover finish, error alarm, negative stall, positive stall, negative indicate.	
	Communication Portal	USB	Usually for Commissioning (also support host computer control)	
		CAN	CANOPEN 301 + DS402(Default node id: 0x08,500kbps)	
RS422/485		MODBUS RS422/485(ASCII/RTU) (Default node id: 0x08,57600bps,8,1,N,N,)		
Transmission Distance		≥100 Meters		
Torque Control	Stop Response	Rise time≤1.5ms ; Over tune≤5% ; Shock ≤2 times		
	Current Closed Loop Control	≥1KHz		
	Speed Limitation	Parameter Limits		
Speed Control	Speed Feedback	Based on Encoder		
	Encoder Power Supply	+5V±2%/500mA		
	Speed Ratio	≥3000 : 1		
	Step Response	Rise time≤40ms ; Overtune≤15% ; Shock≤2.5 times		
	Sinusoidal Band Response	≥500Hz		
	Static Error Rate	≤0.4% (In speed 1000RPM, rated torque load)		
	Speed Fluctuation Rate	≤0.6%		
	Linearity	≤0.45%		
Position Close-Loop Control	Highest input pulse frequency	N/A		
	Pulse commande mode	N/A		
	Command control mode	RS422/485 Modbus Communication; CAN Bus Control		
	Electronic gear ratio	Electronic Gear N/M, N: 1~65535, M: 1~65535 (parameter setting)		
	Torque Limit	(Parameter Setting)		
Environmental Requirements	Operation Temp.	-30°C+60°C		
	Storage Temp.	-30°C+65°C		
	Relative Humidity	0%~90%RH (No condensing)		
	Vibration Requirements	Frequency 5Hz to 25Hz, amplitude with 1.6mm; Frequency 25Hz to 200Hz, Acceleration within 1.2g, time 30min.		

Download datasheet: <https://assunmotor.com/documents-download>

Visit Our Website and Online Shop at <https://assunmotor.com> Contact: info@assunmotor.com

ETHERCAT BUS CONTROLLER



Model		Servo Controller (EtherCAT Bus Control)				
		AM-SOC0103-MAAS	AM-SOC0206-MAAS	AM-SOC0510-MAAS	AM-SOC1020-MAAS	AM-SOC1530-MAAS
Dimension (mm)		93.9*57*43.5				
Weight (g)		225				
Fundamental Specs	Output Rated Current (Continuous, RMS)	1 A	2 A	5 A	10 A	15 A
	Output Max. Current (Intermittent, RMS)	3 A	6 A	10 A	20 A	30 A
	Input Power Supply Voltage Range	12 VDC~48 VDC (Usually according to Motor Rated Voltage)				
	Overload Recognition Time	3 s				
	Overload Trip Reset Delay	30 s				
	Temperature Raise	(Under Rated Current) 30min≤40K				
	Working Frequency	6khz ~ 34khz				
Rated Electric Insulation		Under DC voltage 1000V from input/output to housing, current leakage smaller than 3mA				
Total Electric Resistance		≥1MΩ (Temp. 40℃, RH 95%, no condensing water)				
Mean Time Before Failure (MTBF)		≥8000 Hrs				
Power Control		For BLDC & Servo Motor: SVPWM, Square Wave For Brushed Motor: Bipolar PWM				
IP Level		IP20				
Cooling Type		Natural Air Cool				
Connection Portal Info	Digital IO Input Portal	4 Channel (5VDC~24VDC), hardware default in high voltage level when not connected. Detail control functions can be set and adjusted by changing parameters.				
	Digital IO Output Portal	4 Channel (All four channels are open collector output, highest voltage at 30V; First three channels have max. continuous current of 0.25A, and last channel has max. continuous current of 2A)				
	Feedback Type	Electromagnetic/Optical Incremental Encoder; SSI Absolute Encoder; RS 485 Absolute Encoder				

Download datasheet: <https://assunmotor.com/documents-download>

ETHERCAT BUS CONTROLLER

Model		Servo Controller (Traditional Control)		
Basic Function	Application Mode	Position Closed-loop Control / Speed Closed-loop Control / Torque Closed-loop Control		
	Preparation Time	Power on and no malfunction, controller ready in 3 seconds		
	Hardware Protection Threshold	Under Voltage	9.5v	
		Over Voltage	75v	
		Over Current	Over Current Protection	
		Overheat	85°C Automate Alarm and Shut Down	
		Power Switch	Equipped power switch to turn on or off the motor.	
	Software Protection	Malfunction Lock	Automate slow down and stop when detect malfunction, and lock the malfunction for inspection.	
		Over Load	When current is continuously over Max. continuous current for 10 seconds, default to alarm for malfunction.	
		Over Current	Monitor real time current value, immediate cut off motor output when current over the pre-set value.	
		Differential Protection	Current or speed setting and feedback differential protection	
	Digital IO	Input	Multiplex the following functions by adjusting parameters: Servo start, zero-speed position clamp, emergency shut down, origin point signal, positive position limit, negative position limit.	
		Output	Multiplex the following functions by adjusting parameters: Power supply under voltage, position abnormal, hall feedback abnormal, over current, over load, driver overheat, current differentiate, speed differentiate, power supply over voltage, servo ready, servo operation, zero speed arrival, targeted speed arrival, targeted position arrival, brake output, origin point recover finish, error alarm, negative stall, positive stall, negative indicate.	
	Communication Portal	USB	Usually for Commissioning (also support host computer control)	
EtherCAT		1 set of in and out ports		
Torque Control	Step Response	Rise time \leq 1.5ms ; Over tune \leq 5% ; Shock \leq 2 times		
	Current Closed Loop Control	\geq 1KHz		
	Speed Limitation	Parameter Limits		
Speed Control	Speed Feedback	Based on Encoder		
	Encoder Power Supply	+5V \pm 2%/500mA		
	Speed Ratio	\geq 3000 : 1		
	Step Response	Rise time \leq 40ms ; Overtune \leq 15% ; Shock \leq 2.5 times		
	Sinusoidal Band Response	\geq 500Hz		
	Static Error Rate	\leq 0.4% (In speed 1000RPM, rated torque load)		
	Speed Fluctuation Rate	\leq 0.6%		
	Linearity	\leq 0.45%		
Position Close-Loop Control	Command control mode	EtherCAT Bus Control		
	Electronic gear ratio	Electronic Gear N/M, N: 1~65535, M: 1~65535 (parameter setting)		
	Torque Limit	(Parameter Setting)		
Environmental Requirements	Operation Temp.	-30°C+60°C		
	Storage Temp.	-30°C+65°C		
	Relative Humidity	0%~90%RH (No condensing)		
	Vibration Requirements	Frequency 5Hz to 25Hz, amplitude with 1.6mm; Frequency 25Hz to 200Hz, Acceleration within 1.2g, time 30min.		

 Download datasheet: <https://assunmotor.com/documents-download>

 Visit Our Website and Online Shop at <https://assunmotor.com> Contact: info@assunmotor.com

ENCODER

Assun Encoders include incremental and absolute types. For incremental controller, there are models of electromagnetic and optical, and both offers wide ranges of resolution choices. For absolute encoder, customer can choose for single or multi turns and also different resolutions.

High precision (resolution) and high reliability encoders by Assun are perfect for precision DC drive feedback and play an important role in the precision control system.



AM-EN1611S003	AM-EN2211S103	AM-EN2412T003	AM-EN3612T103
AM-EN1611S103	AM-EN1612T003	AM-EN2412T103	AM-EN1611S113
AM-EN2211S003	AM-EN1612T103	AM-EN3612T003	AM-EN2211S113

Company Name Abbreviation	Function Principle S - Electromagnetic Encoder T - Optical Encoder
AM - EN	
Encoder Code	Encoder Type
1612	002 - Incremental Two Channel Encoder 003 - Incremental Three Channel Encoder 103 - Incremental Cable Drive Three Channel Encoder 113 Absolute Cable Drive Three Channel Encoder
Encoder Dimension 16 - Diameter (mm) 12 - Thickness (mm)	Resolution Incremental Encoder - Pules per Revolve Absolute Encoder 40: Revolve bits; 96: Angular bits
	T103 - 4096

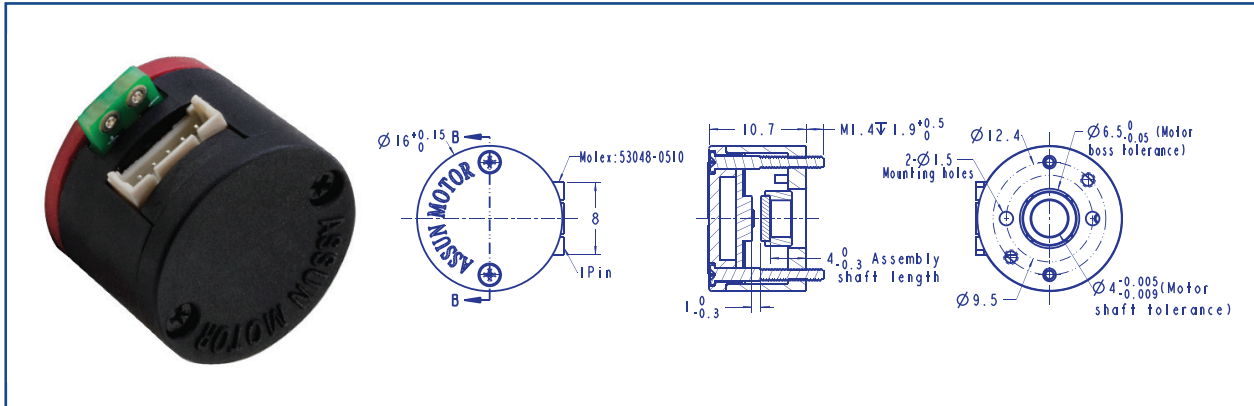
ENCODER

INCREMENTAL ENCODER

Incremental encoders by Assun are used for providing feedback information of motion to controllers and resolutions can be from 32 ppr/turn to 4096 ppr/turn. Cable drive and differential types of encoders can be chosen based on actual needs.



AM-EN1611S003(BL) SERIES



ELECTROMAGNETIC ENCODER

1) Parameters

Parameters/Models	AM-EN1611 S003-0032	AM-EN1611 S003-0064	AM-EN1611 S003-0128	AM-EN1611 S003-0256	AM-EN1611 S003-0512	AM-EN1611 S003-1024
Diameter	16	16	16	16	16	16
PPR/TURN	32	64	128	256	512	1024
Max Channels	3	3	3	3	3	3
Max Working Freq.(KHz)	20	40	100	180	360	512
Direction Signal	no	no	no	no	no	no
Drive (Differential Output)	no	no	no	no	no	no

2) Information

Technical Parameter		Suitable for motor size		Pin definition	Connection Diagram (CW)
Power Vcc	5V±5%	Suitable for shaft diameter	2.0; 3.0; 4.0	1. Vcc	
Vcc=5.0V Signal	TTL compatible	Suitable for shaft length	3.7~4.0	2. GND	
Operating Temperature	-25~85°C	Suitable for boss diameter	6.45~6.5	3. Channel A	
Inertia (max)	0.015 g.cm ²	Suitable for boss thickness	Maximum 1.0	4. Channel B	
Output Current, each channel	1.5mA(max)	Code wheel spacing	0.7~1.0	5. Channel Z (1/4 T)	
Weight	4.5 g	Other fixed size	Drawing		

3) Recommend Combination

Total Length of Geared Motor System :L _T =L ₁ +L ₂ +(L ₃ =10.7mm)					
L1:16GP	L1:20GP	L2:BL16	L1: 20GP	L1: 24GP	L2:BL20
15.9	18.8	40.0	18.8	22.2	40.0
	23.3		23.6	27.4	
	27		28.4	32.6	
L1:24GP	L1:28GP	L2:BL24	L1: 28GP	L1: 32GP	L2:BL28
22.2	25.9	53.0	25.9	27.4	45.0
	27.4		33.1	35.9	
	32.6		40.3	44.4	

AM-EN1611S* Combination Scheme**

Recommended Gearbox:
Planetary Gearbox:
AM-16GP AM-28GP
AM-20GP AM-32GP
AM-24GP

Recommended Motor:
Brushless Motor:
AM-BL16** AM-BL20**
AM-BL/D24**
AM-BL/D28***

For more combination specs, visit Assun Motor website.

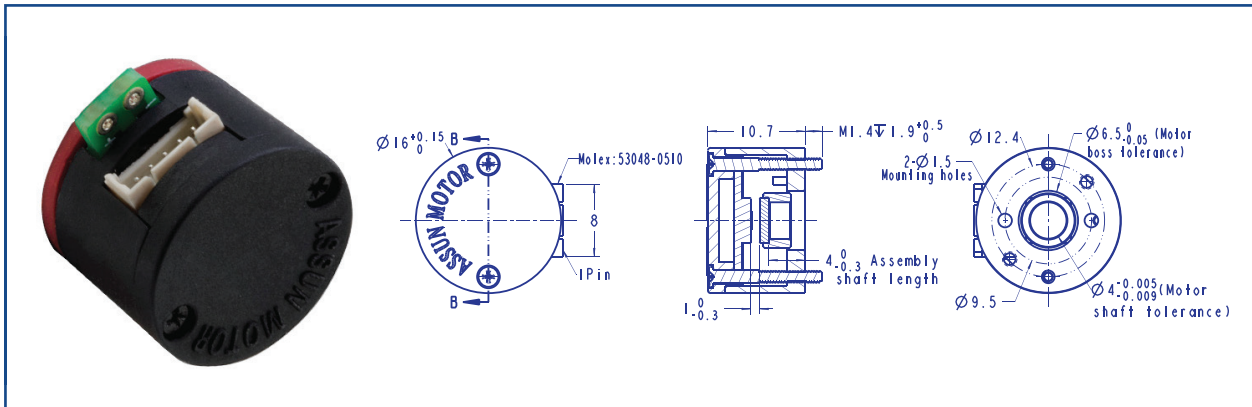
Remarks: Clients can choose gearbox and motor to match with this encoder. Some combinations are listed here for reference.

Please tell us if there is vibration in application. Client should pay attention to the integrity and reliability of the transmitted signal.

Download datasheet: <https://assunmotor.com/documents-download>

Visit Our Website and Online Shop at <https://assunmotor.com> Contact: info@assunmotor.com

AM-EN1611S003(CL) SERIES



ELECTROMAGNETIC ENCODER

1) Parameters

Parameters/Models	AM-EN1611 S003-0032	AM-EN1611 S003-0064	AM-EN1611 S003-0128	AM-EN1611 S003-0256	AM-EN1611 S003-0512	AM-EN1611 S003-1024
Diameter	16	16	16	16	16	16
PPR/TURN	32	64	128	256	512	1024
Max Channels	3	3	3	3	3	3
Max Working Freq.(KHz)	20	40	100	180	360	512
Direction Signal	no	no	no	no	no	no
Drive (Differential Output)	no	no	no	no	no	no

2) Information

Technical Parameter		Suitable for motor size		Pin definition	Connection Diagram (CW)
Power Vcc	5V±5%	Suitable for shaft diameter	1.5; 2.0	1. Vcc	
Vcc=5.0V Signal	TTL compatible	Suitable for shaft length	3.7~4.0	2. GND	
Operating Temperature	-25~85°C	Suitable for boss diameter	6.45~6.5	3. Channel A	
Inertia (max)	0.015 g.cm ²	Suitable for boss thickness	Maximum 1.0	4. Channel B	
Output Current, each channel	1.5mA(max)	Code wheel spacing	0.7~1.0	5. Channel Z (1/4 T)	
Weight	5.0 g	Other fixed size	Drawing		

3) Recommend Combination

Total Length of Geared Motor System :L _T =L ₁ +L ₂ +(L ₃ =10.7mm)					
L1:16GP	L1:20GP	L2:CL16	L1: 24GP	L1: 28GP	L2:CL25
15.9	18.8	33.0	22.2	25.9	32.0
23.3	23.6	43.0	27.4	33.1	45.3
27	28.4		32.6	40.3	
L1:28GP	L1:28GP	L2:CL28			
25.9	27.4	31.0			
33.1	35.9	45.0			
40.3	44.4				

AM-EN1611S* Combination Scheme**

Recommended Gearbox:
Planetary Gearbox:
AM-16GP AM-28GP
AM-20GP AM-32GP
AM-24GP

Recommended Motor:
Coreless Motor:
AM-CL16**
AM-CL25**
AM-CL28**

For more combination specs, visit Assun Motor website.

Remarks: Clients can choose gearbox and motor to match with this encoder. Some combinations are listed here for reference.

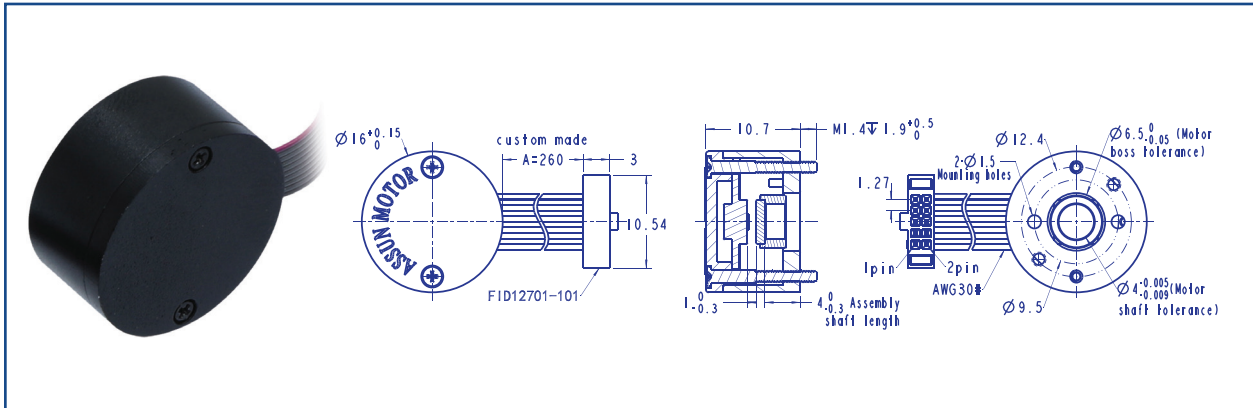
ENCODER

Please tell us if there is vibration in application. Client should pay attention to the integrity and reliability of the transmitted signal.

Download datasheet: <https://assunmotor.com/documents-download>

Visit Our Website and Online Shop at <https://assunmotor.com> Contact: info@assunmotor.com

AM-EN1611S103(BL) SERIES



ELECTROMAGNETIC ENCODER

1) Parameters

Parameters/Models	AM-EN1611 S103-0032	AM-EN1611 S103-0064	AM-EN1611 S103-0128	AM-EN1611 S103-0256	AM-EN1611 S103-0512	AM-EN1611 S103-1024
Diameter	16	16	16	16	16	16
PPR/TURN	32	64	128	256	512	1024
Max Channels	3	3	3	3	3	3
Max Working Freq.(KHz)	20	40	100	180	360	512
Direction Signal	no	no	no	no	no	no
Drive (Differential Output)	yes	yes	yes	yes	yes	yes

2) Information

Technical Parameter	Suitable for motor size			Pin definition		Connection Diagram (CW)
Power Vcc	5V±5%	Suitable for shaft diameter	2.0; 3.0; 4.0	1. NC	2. Vcc	
Vcc=5.0V Signal	ISL32179	Suitable for shaft length	3.7~4.0	3. GND	4. NC	
Operating Temperature	-40~125°C	Suitable for boss diameter	6.45~6.5	5. A-	6. A+	
Inertia (max)	0.015 g.cm ²	Suitable for boss thickness	Maximum 1.0	7. B-	8. B+	
Output Current, each channel	1.5mA(max)	Code wheel spacing	0.7~1.0	9. Z-	10. Z+	
Weight	6.5 g	Other fixed size	Drawing			

3) Recommend Combination

Total Length of Geared Motor System :L _T =L ₁ +L ₂ +(L ₃ =10.7mm)					
L1:16GP	L1:20GP	L2:BL16	L1: 20GP	L1: 24GP	L2:BL20
15.9	18.8	40.0	18.8	22.2	40.0
23.3	23.6		23.6	27.4	
27	28.4		28.4	32.6	
L1:24GP	L1:28GP	L2:BL24	L1: 28GP	L1: 32GP	L2:BL28
22.2	25.9	53.0	25.9	27.4	45.0
27.4	33.1		33.1	35.9	
32.6	40.3		40.3	44.4	

AM-EN1611S* Combination Scheme**

Recommended Gearbox:
Planetary Gearbox:
AM-16GP AM-28GP
AM-20GP AM-32GP
AM-24GP

Recommended Motor:
Brushless Motor:
AM-BL16** AM-BL20**
AM-BL/D24**
AM-BL/D28***

For more combination specs, visit Assun Motor website.

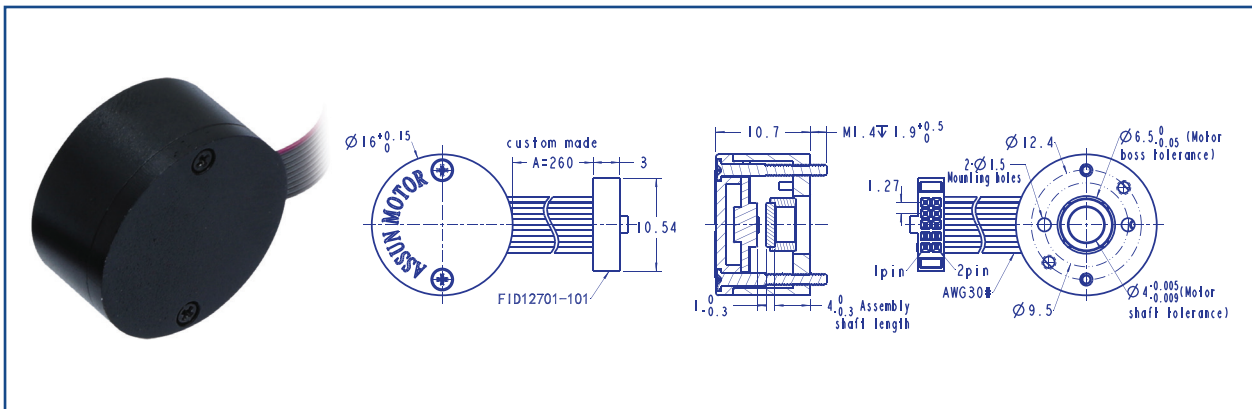
Remarks: Clients can choose gearbox and motor to match with this encoder. Some combinations are listed here for reference.

Please tell us if there is vibration in application. Client should pay attention to the integrity and reliability of the transmitted signal.

Download datasheet: <https://assunmotor.com/documents-download>

Visit Our Website and Online Shop at <https://assunmotor.com> Contact: info@assunmotor.com

AM-EN1611S103(CL) SERIES



ELECTROMAGNETIC ENCODER

1) Parameters

Parameters/Models	AM-EN1611 S103-0032	AM-EN1611 S103-0064	AM-EN1611 S103-0128	AM-EN1611 S103-0256	AM-EN1611 S103-0512	AM-EN1611 S103-1024
Diameter	16	16	16	16	16	16
PPR/TURN	32	64	128	256	512	1024
Max Channels	3	3	3	3	3	3
Max Working Freq.(KHz)	20	40	100	180	360	512
Direction Signal	no	no	no	no	no	no
Drive (Differential Output)	yes	yes	yes	yes	yes	yes

2) Information

Technical Parameter	Suitable for motor size		Pin definition		Connection Diagram (CW)
Power Vcc	5V±5%	Suitable for shaft diameter	1.5; 2.0	1. NC 2. Vcc	
Vcc=5.0V Signal	ISL32179	Suitable for shaft length	3.7~4.0	3. GND 4. NC	
Operating Temperature	-40~125°C	Suitable for boss diameter	6.45~6.5	5. A- 6. A+	
Inertia (max)	0.015 g.cm ²	Suitable for boss thickness	Maximum 1.0	7. B- 8. B+	
Output Current, each channel	1.5mA(max)	Code wheel spacing	0.7~1.0	9. Z- 10. Z+	
Weight	6.5 g	Other fixed size	Drawing		

3) Recommend Combination

Total Length of Geared Motor System :L _T =L ₁ +L ₂ +(L ₃ =10.7mm)					
L1:16GP	L1:20GP	L2:CL16	L1: 24GP	L1: 28GP	L2:CL25
15.9	18.8	33.0	22.2	25.9	32.0
23.3	23.6	43.0	27.4	33.1	45.3
27	28.4		32.6	40.3	
L1:28GP	L1:32GP	L2:CL28			
25.9	27.4	31.0			
33.1	35.9	45.0			
40.3	44.4				

AM-EN1611S* Combination Scheme**

Recommended Gearbox:
Planetary Gearbox:
AM-16GP AM-28GP
AM-20GP AM-32GP
AM-24GP

Recommended Motor:
Coreless Motor:
AM-CL16**
AM-CL25**
AM-CL28**

For more combination specs, visit Assun Motor website.

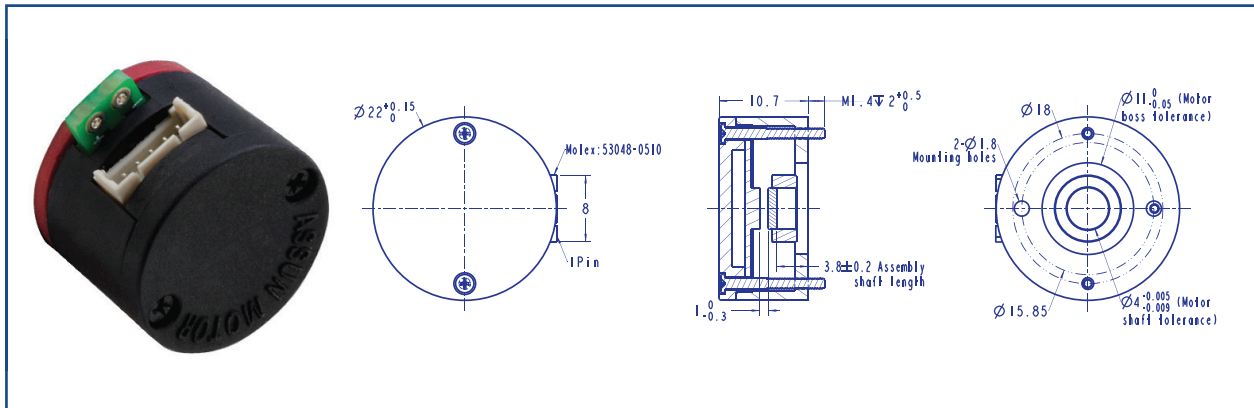
Remarks: Clients can choose gearbox and motor to match with this encoder. Some combinations are listed here for reference.

Please tell us if there is vibration in application. Client should pay attention to the integrity and reliability of the transmitted signal.

Download datasheet: <https://assunmotor.com/documents-download>

Visit Our Website and Online Shop at <https://assunmotor.com> Contact: info@assunmotor.com

AM-EN2211S003(BL) SERIES



ELECTROMAGNETIC ENCODER

1) Parameters

Parameters/Models	AM-EN2211 S003-0032	AM-EN2211 S003-0064	AM-EN2211 S003-0128	AM-EN2211 S003-0256	AM-EN2211 S003-0512	AM-EN2211 S003-1024
Diameter	22	22	22	22	22	22
PPR/TURN	32	64	128	256	512	1024
Max Channels	3	3	3	3	3	3
Max Working Freq.(KHz)	20	40	100	180	360	512
Direction Signal	no	no	no	no	no	no
Drive (Differential Output)	no	no	no	no	no	no

2) Information

Technical Parameter		Suitable for motor size		Pin definition	Connection Diagram (CW)
Power Vcc	5V±5%	Suitable for shaft diameter	4.0; 5.0; 8.0	1. Vcc	
Vcc=5.0V Signal	TTL compatible	Suitable for shaft length	3.7~4.0	2. GND	
Operating Temperature	-25~85°C	Suitable for boss diameter	10.95~11.0	3. Channel A	
Inertia (max)	0.015 g.cm ²	Suitable for boss thickness	Maximum 1.0	4. Channel B	
Output Current, each channel	1.5mA(max)	Code wheel spacing	0.7~1.0	5. Channel Z (1/4 T)	
Weight	7.0 g	Other fixed size	Drawing		

3) Recommend Combination

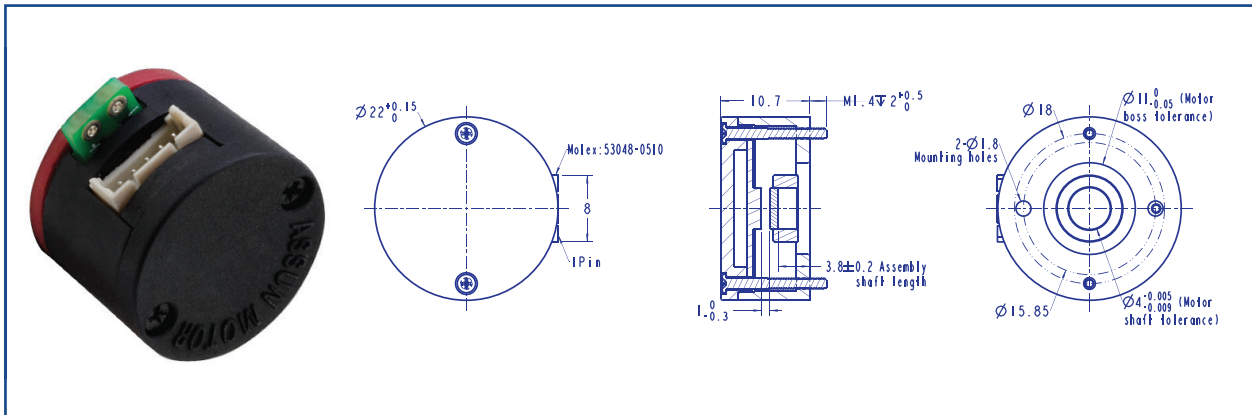
Total Length of Geared Motor System :L _T =L ₁ +L ₂ +(L ₃ =10.7mm)						AM-EN2211S*** Combination Scheme
L1:32GP	L1:36GP	L1: BL32	L1: 36GP	L1: 40GP	L2:BL36	
27.4	39.6	60.0	39.6	46.8	60.5	Recommended Gearbox: Planetary Gearbox: AM-32GP AM-45GP AM-36GP AM-52GP AM-40GP Recommended Motor: BRUSH LESS Motor: AM-BL/D32** AM-BL40** AM-BL/D36** AM-BL/D45*** For more combination specs, visit Assun Motor website.
35.9	48.6	70.0	48.6	58.3		
44.4	57.6		57.6	69.8		
L1:45GP	L1:52GP	L2:BL45	L1: 60GP		L2:BL65	Remarks: Clients can choose gearbox and motor to match with this encoder. Some combinations are listed here for reference.
62.8	81.0	100.0	73.5		108.5	
74.8						

Please tell us if there is vibration in application. Client should pay attention to the integrity and reliability of the transmitted signal.

Download datasheet: <https://assunmotor.com/documents-download>

Visit Our Website and Online Shop at <https://assunmotor.com> Contact: info@assunmotor.com

AM-EN2211S003(CL) SERIES



ELECTROMAGNETIC ENCODER

1) Parameters

Parameters/Models	AM-EN2211 S003-0032	AM-EN2211 S003-0064	AM-EN2211 S003-0128	AM-EN2211 S003-0256	AM-EN2211 S003-0512	AM-EN2211 S003-1024
Diameter	22	22	22	22	22	22
PPR/TURN	32	64	128	256	512	1024
Max Channels	3	3	3	3	3	3
Max Working Freq.(KHz)	20	40	100	180	360	512
Direction Signal	no	no	no	no	no	no
Drive (Differential Output)	no	no	no	no	no	no

2) Information

Technical Parameter		Suitable for motor size		Pin definition	Connection Diagram (CW)
Power Vcc	5V±5%	Suitable for shaft diameter	4.0; 5.0; 8.0	1. Vcc	
Vcc=5.0V Signal	TTL compatible	Suitable for shaft length	3.7~4.0	2. GND	
Operating Temperature	-25~85°C	Suitable for boss diameter	10.95~11.0	3. Channel A	
Inertia (max)	0.015 g.cm ²	Suitable for boss thickness	Maximum 1.0	4. Channel B	
Output Current, each channel	1.5mA(max)	Code wheel spacing	0.7~1.0	5. Channel Z (1/4 T)	
Weight	7.0 g	Other fixed size	Drawing		

3) Recommend Combination

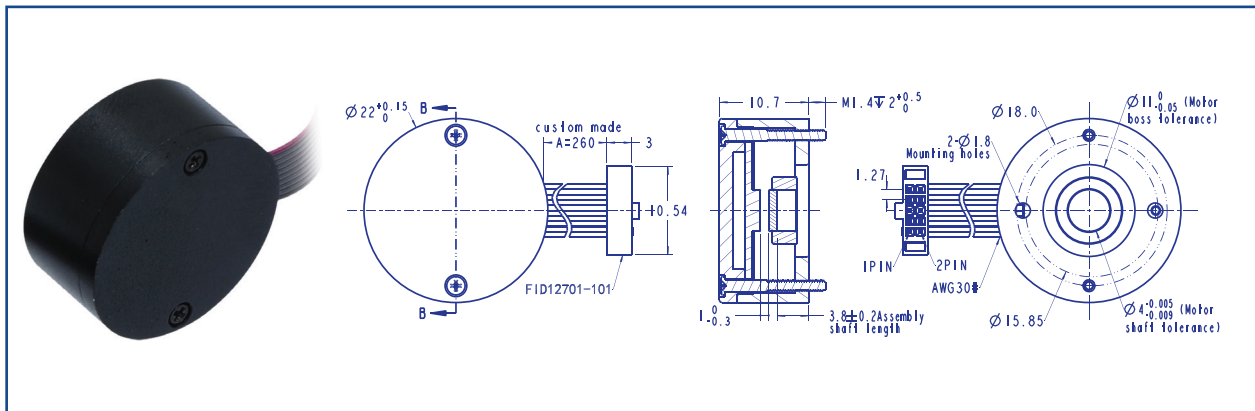
Total Length of Geared Motor System :L _T =L1+L2+(L3=10.7mm)						<p>AM-EN2211S*** Combination Scheme</p>
L1:20GP	L1:24GP	L2:CL22	L1:36GP	L1:40GP	L2:CL35	
18.8	22.2	32.2	39.6	46.8	70.5	<p>Recommended Gearbox: Planetary Gearbox: AM-20GP AM-40GP AM-24GP AM-45GP AM-36GP</p> <p>Recommended Motor: Coreless Motor: AM-CL22** AM-CL35**</p>
23.6	27.4	42.0	48.6	58.3		
28.4	32.6		57.6	69.8		
L1:45GP		L2:CL35				<p>For more combination specs, visit Assun Motor website.</p> <p>Remarks: Clients can choose gearbox and motor to match with this encoder. Some combinations are listed here for reference.</p>
62.8		70.5				
74.8						

Please tell us if there is vibration in application. Client should pay attention to the integrity and reliability of the transmitted signal.

Download datasheet: <https://assunmotor.com/documents-download>

Visit Our Website and Online Shop at <https://assunmotor.com> Contact: info@assunmotor.com

AM-EN2211S103(BL) SERIES



ELECTROMAGNETIC ENCODER

1) Parameters

Parameters/Models	AM-EN2211 S103-0032	AM-EN2211 S103-0064	AM-EN2211 S103-0128	AM-EN2211 S103-0256	AM-EN2211 S103-0512	AM-EN2211 S103-1024
Diameter	22	22	22	22	22	22
PPR/TURN	32	64	128	256	512	1024
Max Channels	3	3	3	3	3	3
Max Working Freq.(KHz)	20	40	100	180	360	512
Direction Signal	no	no	no	no	no	no
Drive (Differential Output)	yes	yes	yes	yes	yes	yes

2) Information

Technical Parameter		Suitable for motor size		Pin definition	Connection Diagram (CW)
Power Vcc	5V±5%	Suitable for shaft diameter	4.0; 5.0; 8.0	1. NC 2. Vcc	
Vcc=5.0V Signal	ISL32179	Suitable for shaft length	3.7~4.0	3. GND 4. NC	
Operating Temperature	-40~125°C	Suitable for boss diameter	10.95~11.0	5. A- 6. A+	
Inertia (max)	0.015 g.cm ²	Suitable for boss thickness	Maximum 1.0	7. B- 8. B+	
Output Current, each channel	1.5mA(max)	Code wheel spacing	0.7~1.0	9. Z- 10. Z+	
Weight	9.0 g	Other fixed size	Drawing		

3) Recommend Combination

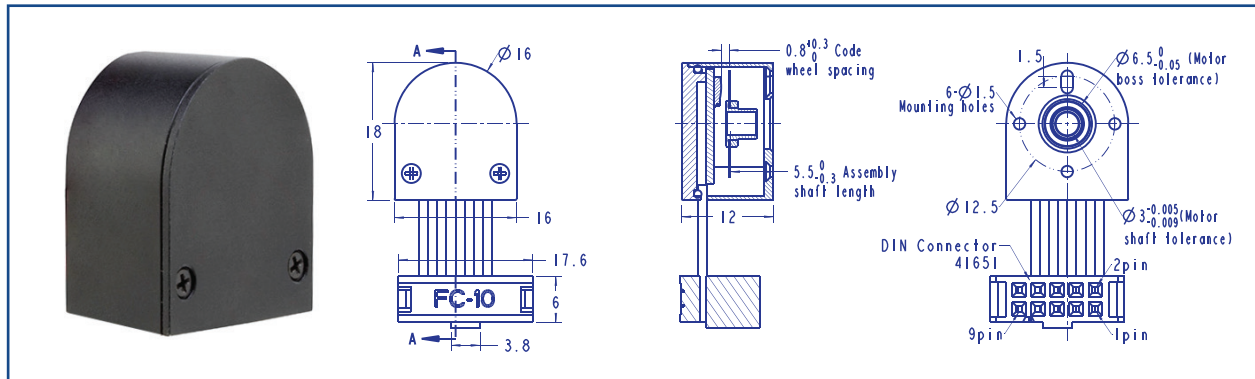
Total Length of Geared Motor System : L _T =L ₁ +L ₂ +(L ₃ =10.7mm)						<p>AM-EN2211S*** Combination Scheme</p>
L1:32GP	L1:36GP	L2:BL32	L1: 36GP	L1: 40GP	L2:BL36	
27.4	39.6	60.0	39.6	46.8	60.5	<p>Recommended Gearbox: Planetary Gearbox: AM-32GP AM-45GP AM-36GP AM-52GP AM-40GP</p> <p>Recommended Motor: BRUSH LESS Motor: AM-BL/D32** AM-BL40** AM-BL/D36** AM-BL/D45***</p> <p>For more combination specs, visit Assun Motor website.</p>
35.9	48.6	70.0	48.6	58.3		
44.4	57.6		57.6	69.8		
L1:45GP	L1:52GP	L2:BL45	L1: 60GP		L2:BL65	<p>Remarks: Clients can choose gearbox and motor to match with this encoder. Some combinations are listed here for reference.</p>
62.8	81.0	100.0	73.5		108.5	
74.8					140.0	

Please tell us if there is vibration in application. Client should pay attention to the integrity and reliability of the transmitted signal.

Download datasheet: <https://assunmotor.com/documents-download>

Visit Our Website and Online Shop at <https://assunmotor.com> Contact: info@assunmotor.com

AM-EN1612T003 SERIES



OPTICAL ENCODER

1) Parameters

Parameters/Models	AM-EN1612 T003-360	AM-EN1612 T003-720	AM-EN1612 T003-1440			
Diameter	16	16	16			
PPR/TURN	360	720	1440			
Max Channels	3	3	3			
Max Working Freq.(KHz)	55~220	55~220	55~220			
Direction Signal	no	no	no			
Drive (Differential Output)	no	no	no			

2) Information

Technical Parameter		Suitable for motor size		Pin definition		Connection Diagram (CW)
Power Vcc	5V±5%	Suitable for shaft diameter	2.0; 3.0	1. NC	2.Vcc	
Vcc=5.0V Signal	TTL compatible	Suitable for shaft length	5.2~5.5	3. A	4. B	
Operating Temperature	-25~80 °C	Suitable for boss diameter	6.45~6.5	5. GND	6. NC	
Inertia (max)	0.06 g.cm ²	Suitable for boss thickness	Maximum 1.0	7. Z	8. NC	
Output Current, each channel	1.5mA(max)	Code wheel spacing	0.8~1.1	9. NC	10. NC	
Weight	11.0 g	Other fixed size	Drawing			

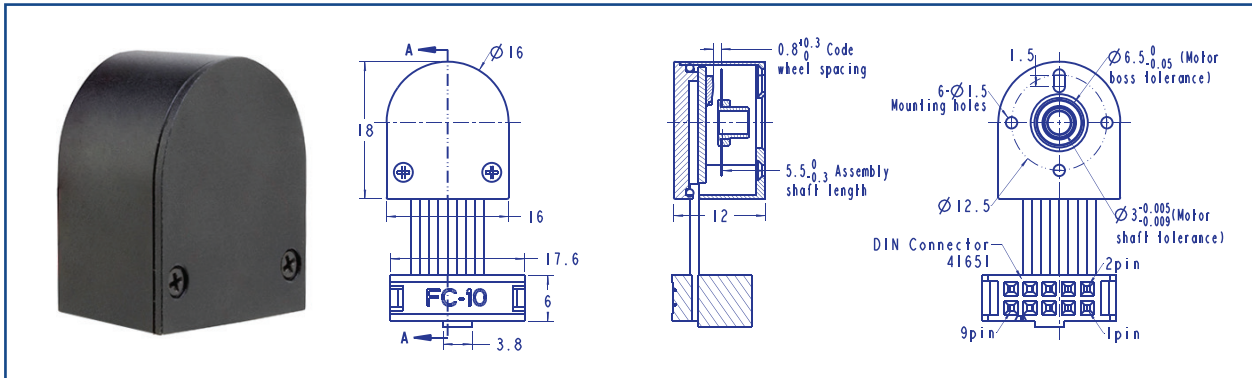
3) Recommend Combination

Total Length of Geared Motor System :L _T =L ₁ +L ₂ +(L ₃ =12.0mm)						<p>AM-EN1612T*** Combination Scheme</p>
L1:20GP	L1:24GP	L2:BL20	L1:16GP	L1:20GP	L2:BL16	
18.8	22.2	40.0	15.9	18.8	40.0	
23.6	27.4		23.3	23.6		
28.4	32.6		27.0	28.4		
						<p>Recommended Gearbox: Planetary Gearbox: AM-16GP AM-20GP AM-24GP</p> <p>Recommended Motor: BRUSH LESS Motor: AM-BL16** AM-BL20**</p> <p>For more combination specs, visit Assun Motor website.</p> <p>Remarks: Clients can choose gearbox and motor to match with this encoder. Some combinations are listed here for reference.</p>

Please tell us if there is vibration in application. Client should pay attention to the integrity and reliability of the transmitted signal.

Download datasheet: <https://assunmotor.com/documents-download>

AM-EN1612T103 SERIES



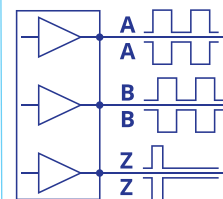
OPTICAL ENCODER

1) Parameters

Parameters/Models	AM-EN1612 T103-360	AM-EN1612 T103-720	AM-EN1612 T103-1440			
Diameter	16	16	16			
PPR/TURN	360	720	1440			
Max Channels	3	3	3			
Max Working Freq.(KHz)	55~220	55~220	55~220			
Direction Signal	no	no	no			
Drive (Differential Output)	yes	yes	yes			

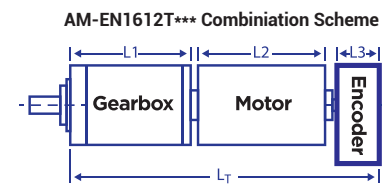
2) Information

Technical Parameter		Suitable for motor size		Pin definition	Connection Diagram (CW)
Power Vcc	5V±5%	Suitable for shaft diameter	2.0; 3.0	1. NC	2.Vcc
Vcc=5.0V Signal	ISL32179	Suitable for shaft length	5.2~5.5	3. GND	4. NC
Operating Temperature	-25~80 °C	Suitable for boss diameter	6.45~6.5	5. A-	6. A+
Inertia (max)	0.06 g.cm ²	Suitable for boss thickness	Maximum 1.0	7. B-	8. B+
Output Current, each channel	20mA(max)	Code wheel spacing	0.8~1.1	9. Z-	10. Z+
Weight	11.0 g	Other fixed size	Drawing		



3) Recommend Combination

Total Length of Geared Motor System :L _T =L1+L2+(L3=12.0mm)					
L1:20GP	L1:24GP	L2:BL20	L1:16GP	L1:20GP	L2:BL16
18.8	22.2	40.0	15.9	18.8	40.0
23.6	27.4		23.3	23.6	
28.4	32.6		27.0	28.4	



Recommended Gearbox:
Planetary Gearbox:
AM-16GP
AM-20GP
AM-24GP

Recommended Motor:
BRUSH LESS Motor:
AM-BL16**
AM-BL20**

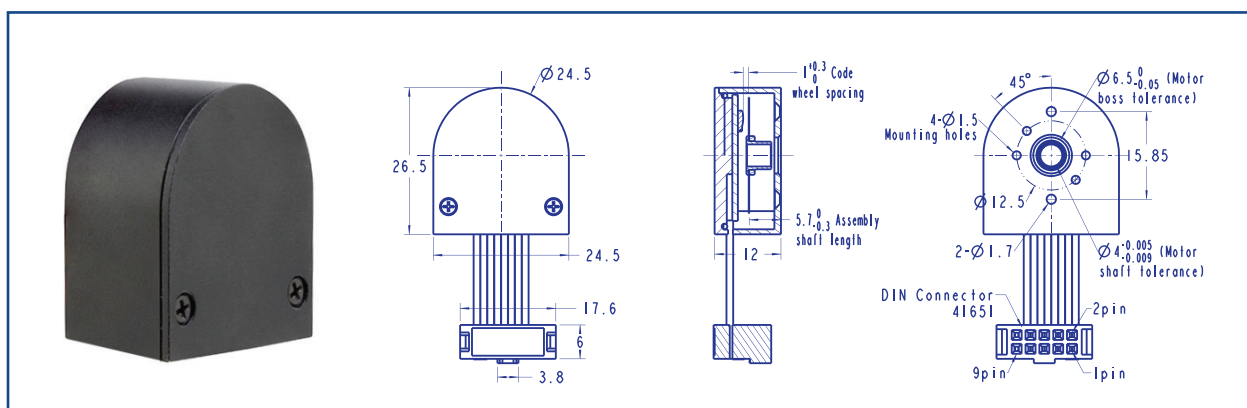
For more combination specs, visit Assun Motor website.

Remarks: Clients can choose gearbox and motor to match with this encoder. Some combinations are listed here for reference.

Please tell us if there is vibration in application. Client should pay attention to the integrity and reliability of the transmitted signal.

Download datasheet: <https://assunmotor.com/documents-download>

AM-EN2412T003 SERIES



OPTICAL ENCODER

1) Parameters

Parameters/Models	AM-EN2412 T003-500	AM-EN2412 T003-512	AM-EN2412 T003-1000	AM-EN2412 T003-1024	AM-EN2412 T003-2000	AM-EN2412 T003-2048
Diameter	24.5	24.5	24.5	24.5	24.5	24.5
PPR/TURN	500	512	1000	1024	2000	2048
Max Channels	3	3	3	3	3	3
Max Working Freq.(KHz)	55~220	55~220	55~220	55~220	55~220	55~220
Direction Signal	no	no	no	no	no	no
Drive (Differential Output)	no	no	no	no	no	no

2) Information

Technical Parameter		Suitable for motor size		Pin definition		Connection Diagram (CW)
Power Vcc	5V±5%	Suitable for shaft diameter	3.0; 4.0	1. NC	.Vcc	
Vcc=5.0V Signal	TTL compatible	Suitable for shaft length	5.2~5.5	3. A	4. B	
Operating Temperature	-25~80 °C	Suitable for boss diameter	6.45~6.5	5. GND	6. NC	
Inertia (max)	0.23 g.cm ²	Suitable for boss thickness	Maximum 1.0	7. Z	8. NC	
Output Current, each channel	1.5mA(max)	Code wheel spacing	0.8~1.1	9. NC	10. NC	
Weight	17.0 g	Other fixed size	Drawing			

3) Recommend Combination

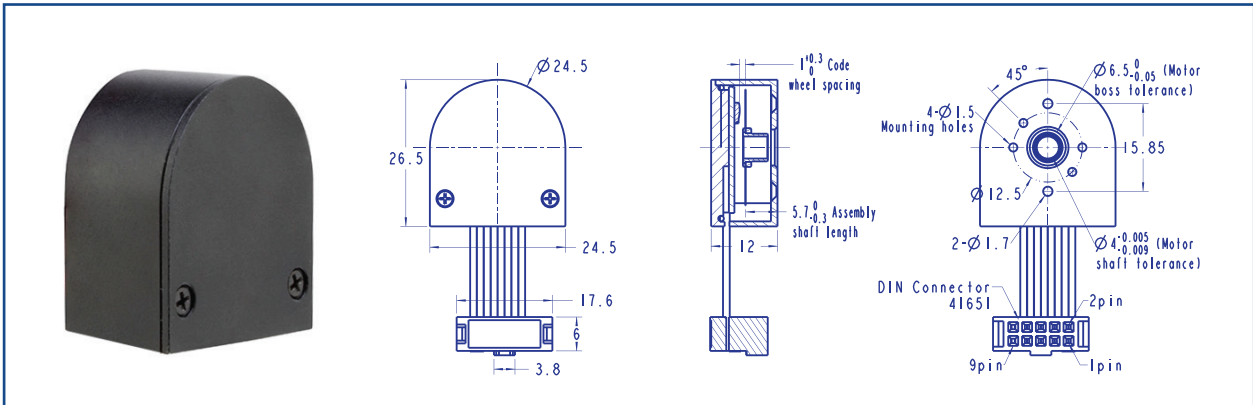
Total Length of Geared Motor System :L _T =L ₁ +L ₂ +(L ₃ =12.0mm)						
L1:24GP	L1:28GP	L2:BL24	L1:28GP	L1:32GP	L2:BL28	
22.2	25.9	53.0	25.9	27.4	45.0	Recommended Gearbox: Planetary Gearbox: AM-24GP AM-28GP AM-32GP AM-36GP For more combination specs, visit Assun Motor website.
27.4	33.1		33.1	35.9		
32.6	40.3		40.3	44.4		
L1:32GP	L1:36GP	L2:BL32				Recommended Motor: BRUSH LESS Motor: AM-BL/D24** AM-BL/D28** AM-BL/D32**
27.4	39.6	60.0				
35.9	48.6	70.0				
44.4	57.6					

Please tell us if there is vibration in application. Client should pay attention to the integrity and reliability of the transmitted signal.

Download datasheet: <https://assunmotor.com/documents-download>

Visit Our Website and Online Shop at <https://assunmotor.com> Contact: info@assunmotor.com

AM-EN2412T103 SERIES



OPTICAL ENCODER

1) Parameters

Parameters/Models	AM-EN2412 T103-500	AM-EN2412 T103-512	AM-EN2412 T103-1000	AM-EN2412 T103-1024	AM-EN2412 T103-2000	AM-EN2412 T103-2048
Diameter	24.5	24.5	24.5	24.5	24.5	24.5
PPR/TURN	500	512	1000	1024	2000	2048
Max Channels	3	3	3	3	3	3
Max Working Freq.(KHz)	55~220	55~220	55~220	55~220	55~220	55~220
Direction Signal	no	no	no	no	no	no
Drive (Differential Output)	yes	yes	yes	yes	yes	yes

2) Information

Technical Parameter	Suitable for motor size			Pin definition		Connection Diagram (CW)
Power Vcc	5V±5%	Suitable for shaft diameter	3.0; 4.0	1. NC	2.Vcc	
Vcc=5.0V Signal	ISL 32179	Suitable for shaft length	5.2~5.5	3. GND	4. NC	
Operating Temperature	-25~80 °C	Suitable for boss diameter	6.45~6.5	5. A-	6. A+	
Inertia (max)	0.23 g.cm ²	Suitable for boss thickness	Maximum 1.0	7. B-	8. B+	
Output Current, each channel	20mA(max)	Code wheel spacing	0.8~1.1	9. Z-	10. Z+	
Weight	17.0 g	Other fixed size	Drawing			

3) Recommend Combination

Total Length of Geared Motor System :L _T =L ₁ +L ₂ +(L ₃ =12.0mm)					
L1:24GP	L1:28GP	L2:BL24	L1:28GP	L1:32GP	L2:BL28
22.2	25.9	53.0	25.9	27.4	45.0
	27.4	33.1	33.1	35.9	
	32.6	40.3	40.3	44.4	
L1:32GP	L1:36GP	L2:BL32			
27.4	39.6	60.0			
35.9	48.6	70.0			
44.4	57.6				

AM-EN2412T* Combination Scheme**

Recommended Gearbox:
Planetary Gearbox:
AM-24GP
AM-28GP
AM-32GP
AM-36GP

Recommended Motor:
BRUSH LESS Motor:
AM-BL/D24**
AM-BL/D28**
AM-BL/D32**

For more combination specs, visit Assun Motor website.

Remarks: Clients can choose gearbox and motor to match with this encoder. Some combinations are listed here for reference.

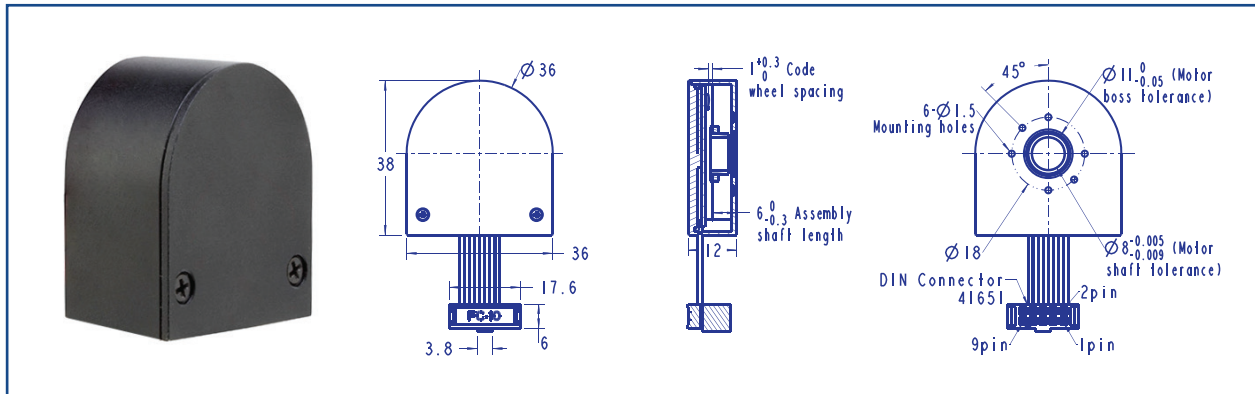
ENCODER

Please tell us if there is vibration in application. Client should pay attention to the integrity and reliability of the transmitted signal.

Download datasheet: <https://assunmotor.com/documents-download>

Visit Our Website and Online Shop at <https://assunmotor.com> Contact: info@assunmotor.com

AM-EN3612T003 SERIES



OPTICAL ENCODER

1) Parameters

Parameters/Models	AM-EN3612 T003-1000	AM-EN3612 T003-1024	AM-EN3612 T003-2000	AM-EN3612 T003-2048	AM-EN3612 T003-4000	AM-EN3612 T003-4096
Diameter	36.0	36.0	36.0	36.0	36.0	36.0
PPR/TURN	1000	1024	2000	2048	4000	4096
Max Channels	3	3	3	3	3	3
Max Working Freq.(KHz)	55~220	55~220	55~220	55~220	55~220	55~220
Direction Signal	no	no	no	no	no	no
Drive (Differential Output)	no	no	no	no	no	no

2) Information

Technical Parameter		Suitable for motor size		Pin definition	Connection Diagram (CW)
Power Vcc	5V±5%	Suitable for shaft diameter	5.0; 8.0	1. NC 2.Vcc	
Vcc=5.0V Signal	TTL compatible	Suitable for shaft length	5.2~5.5	3. A 4. B	
Operating Temperature	-25~80 °C	Suitable for boss diameter	10.95~11.0	5. GND 6. NC	
Inertia (max)	1.18 g.cm ²	Suitable for boss thickness	Maximum 1.0	7. Z 8. NC	
Output Current, each channel	1.5mA(max)	Code wheel spacing	0.8~1.1	9. NC 10. NC	
Weight	29.0 g	Other fixed size	Drawing		

3) Recommend Combination

Total Length of Geared Motor System : L _T =L ₁ +L ₂ +(L ₃ =12.0mm)					
L1:45GP	L1:52GP	L2:BL45	L1:36GP	L1:40GP	L2: BL36
62.8	81.0	100.0	39.6	46.8	60.5
			48.6	58.3	
			57.6	69.8	
L1:40GP	L1:45GP	L2:BL40	L1:60GP		L2: BL65
46.8	62.8	60.0	73.5		108.5
58.3	74.8				
69.8					

AM-EN3612T* Combination Scheme**

Recommended Gearbox:
Planetary Gearbox:
AM-36GP
AM-40GP
AM-45GP
AM-52GP

Recommended Motor:
Brushless Motor:
AM-BL/D36**
AM-BL/D45**
AM-BL40**

For more combination specs, visit Assun Motor website.

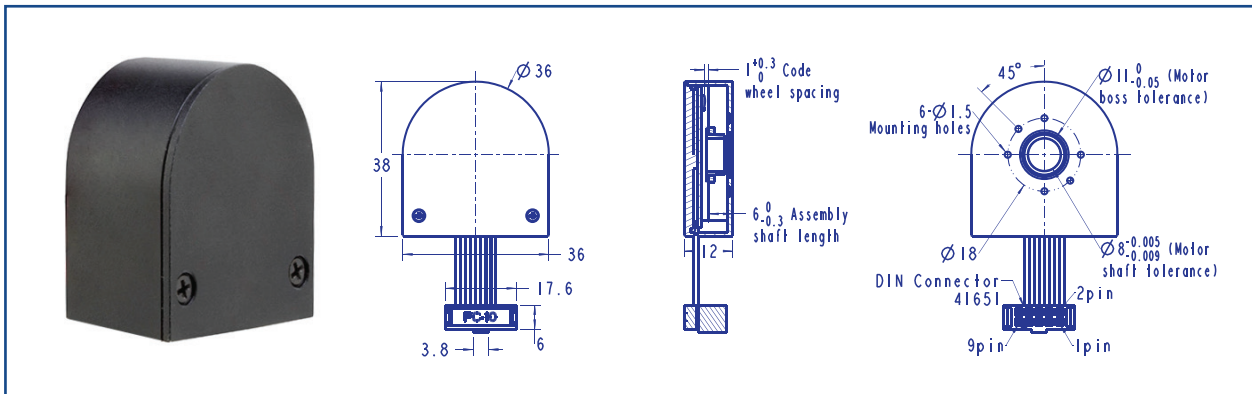
Remarks: Clients can choose gearbox and motor to match with this encoder. Some combinations are listed here for reference.

Please tell us if there is vibration in application. Client should pay attention to the integrity and reliability of the transmitted signal.

Download datasheet: <https://assunmotor.com/documents-download>

Visit Our Website and Online Shop at <https://assunmotor.com> Contact: info@assunmotor.com

AM-EN3612T103 SERIES



OPTICAL ENCODER

1) Parameters

Parameters/Models	AM-EN3612 T103-1000	AM-EN3612 T103-1024	AM-EN3612 T103-2000	AM-EN3612 T103-2048	AM-EN3612 T103-4000	AM-EN3612 T103-4096
Diameter	36.0	36.0	36.0	36.0	36.0	36.0
PPR/TURN	1000	1024	2000	2048	4000	4096
Max Channels	3	3	3	3	3	3
Max Working Freq.(KHz)	55~220	55~220	55~220	55~220	55~220	55~220
Direction Signal	no	no	no	no	no	no
Drive (Differential Output)	yes	yes	yes	yes	yes	yes

2) Information

Technical Parameter		Suitable for motor size		Pin definition	Connection Diagram (CW)
Power Vcc	5V±5%	Suitable for shaft diameter	5.0; 8.0	1. NC 2.Vcc	
Vcc=5.0V Signal	ISL 32179	Suitable for shaft length	5.2~5.5	3. GND 4. NC	
Operating Temperature	-25~80 °C	Suitable for boss diameter	10.95~11.0	5. A- 6. A+	
Inertia (max)	1.18 g.cm ²	Suitable for boss thickness	Maximum 1.0	7. B- 8. B+	
Output Current, each channel	20mA(max)	Code wheel spacing	0.8~1.1	9. Z- 10. Z+	
Weight	29.0 g	Other fixed size	Drawing		

3) Recommend Combination

Total Length of Geared Motor System :L _T =L1+L2+(L3=12.0mm)					
L1:45GP	L1:52GP	L2:BL45	L1:36GP	L1: 40GP	L2: BL36
62.8	81.0	100.0	39.6	46.8	60.5
74.8			48.6	58.3	
			57.6	69.8	
L1:40GP	L1:45GP	L2:BL40	L1:60GP		L2: BL65
46.8	62.8	60.0	73.5		108.5
58.3	74.8				140.0
69.8					

AM-EN3612T* Combination Scheme**

Recommended Gearbox:
Planetary Gearbox:
AM-36GP
AM-40GP
AM-45GP
AM-52GP

Recommended Motor:
Brushless Motor:
AM-BL/D36**
AM-BL/D45**
AM-BL40**

For more combination specs, visit Assun Motor website.

Remarks: Clients can choose gearbox and motor to match with this encoder. Some combinations are listed here for reference.

ENCODER

Please tell us if there is vibration in application. Client should pay attention to the integrity and reliability of the transmitted signal.

Download datasheet: <https://assunmotor.com/documents-download>

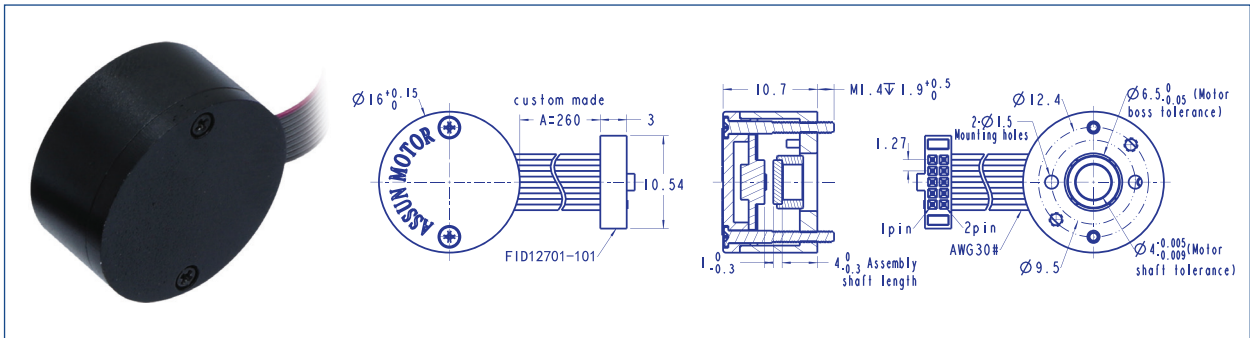
Visit Our Website and Online Shop at <https://assunmotor.com> Contact: info@assunmotor.com

ENCODER _____
ABSOLUTE ENCODER

Absolute encoders by Assun are used for providing extreme precision feedback information of motion to controllers and are mostly used when there are specific high precision needs in the DC drive applications.

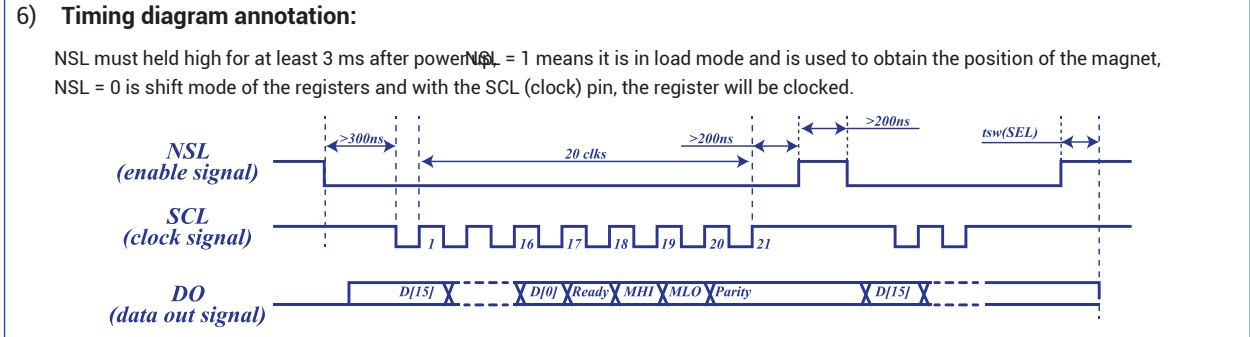
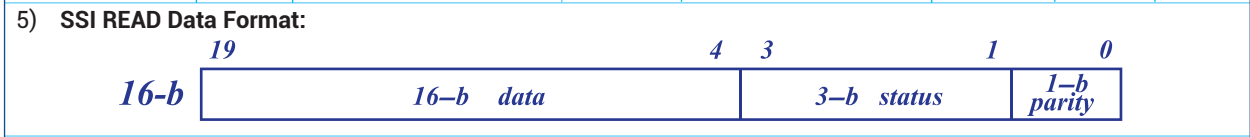


AM-EN1611S113 SERIES



Electromagnetic Encoder

1) Basic parameters		2) Specification		3) Suitable for motor size		4) Pin definition	
Encoder type	absolute	Power Vcc	5V±5%	Suitable for shaft diameter	2.0;3.0;4.0	1. NC	2.Vcc
Multiple circles/bits	NC	Highest clock rate	10MHz	Suitable for shaft length	3.7~4.0	3. GND	4. NC
Angle/bit	16	Operating Temperature	-40~125°C	Suitable for boss diameter	6.45~6.5	5. SCL +	6. SCL -
protocol	SSI	Inertia	0.015g.cm ²	Suitable for boss thickness	Max 1.0	7. NSL +	8. NSL -
Number of channels	3	Output Current, each channel	20mA(max)	Code wheel spacing	0.7~1.0	9. DO +	10. DO -
Differential signal	Yes	Weight	6.5 g	Other fixed size	Drawing		



7) Recommended Combination

Total Length of Geared Motor System: $L_T=L1+L2+L3(=10.7\text{mm})$

L1: 16GP	L1: 20GP	L2: BL16	L1: 20GP	L1: 24GP	L2: BL20
15.9	18.8	40.0	18.8	22.2	40.0
23.3	23.6		23.6	27.4	
27	28.4		28.4	32.6	
L1: 24GP	L1: 28GP	L2: BL24	L1: 28GP	L1: 28GP	L2: BL28
22.2	25.9	53.0	25.9	27.4	45.0
27.4	33.1		33.1	35.9	
32.6	40.3		40.3	44.4	

AM-EN1611S* Combination Scheme**

Recommended Gearbox: Planetary Gearbox: AM-16GP, AM-28GP, AM-20GP, AM-32GP, AM-24GP

Recommended Motor: AM-BL16**, AM-BL/D24**, AM-BL/D28**

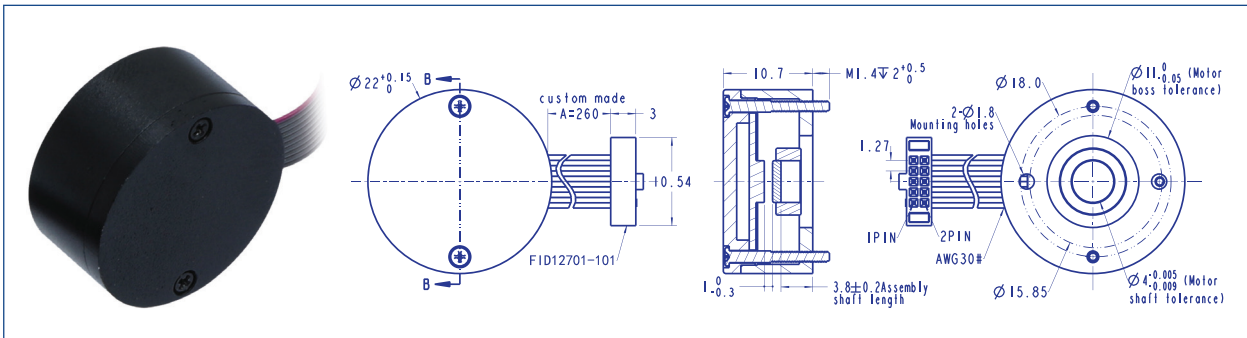
For more combination specs, visit Assun Motor website.

Remarks: Clients can choose gearbox and motor to match with this encoder. Some combinations are listed here for reference.

Please tell us if there is vibration in application. Client should pay attention to the integrity and reliability of the transmitted signal.

Download datasheet: <https://assunmotor.com/documents-download>

AM-EN2211S113 SERIES



Electromagnetic Encoder

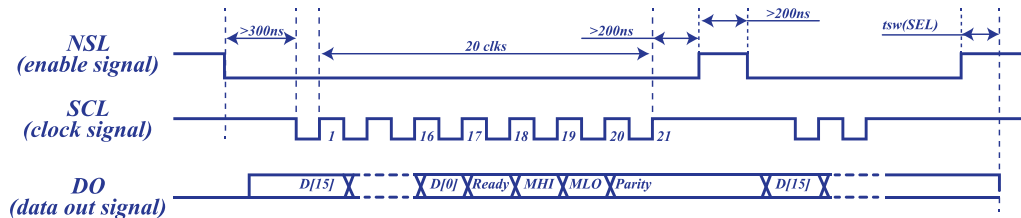
1) Basic parameters		2) Specification		3) Suitable for motor size		4) Pin definition	
Encoder type	absolute	Power Vcc	5V±5%	Suitable for shaft diameter	4.0;5.0;8.0	1. NC	2.Vcc
Multiple circles/bits	NC	Highest clock rate	10MHz	Suitable for shaft length	3.7~4.0	3. GND	4. NC
Angle/bit	16	Operating Temperature	-40~125°C	Suitable for boss diameter	10.95~11.0	5. SCL +	6. SCL -
protocol	SSI	Inertia	0.015g.cm ²	Suitable for boss thickness	Max 1.0	7. NSL +	8. NSL -
Number of channels	3	Output Current, each channel	20mA(max)	Code wheel spacing	0.7~1.0	9. DO +	10. DO -
Differential signal	Yes			Other fixed size	Drawing		

4) SSI READ Data Format:



5) Timing diagram annotation:

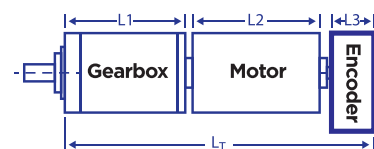
NSL must held high for at least 3 ms after power ON. NSL = 1 means it is in load mode and is used to obtain the position of the magnet, NSL = 0 is shift mode of the registers and with the SCL (clock) pin, the register will be clocked.



6) Recommended Combination

Total Length of Geared Motor System: L _T =L ₁ +L ₂ +L ₃ (=10.7mm)					
L1: 32P	L1: 36P	L2: BL32	L1: 36P	L1: 40GP	L2: BL36
27.4	39.6	60.0	39.6	46.8	60.5
35.9	48.6	70.0	48.6	58.3	
44.4	57.6		57.6	69.8	
L1: 45GP	L1: 52GP	L2: BL45	L1: 60GP		L2: BL65
62.8	81.0	100.0	73.5		108.5
74.8					

AM-EN2211S*** Combination Scheme



Recommended Gearbox:		Recommended Motor:	
Planetary Gearbox:		AM-BL/D32**	AM-BL/D45***
AM-32GP	AM-45GP	AM-BL/D36**	AM-BL65***
AM-36GP	AM-52GP	AM-BL40**	
AM-40GP	AM-60GP		

For more combination specs, visit Assun Motor website.

Remarks: Clients can choose gearbox and motor to match with this encoder. Some combinations are listed here for reference.

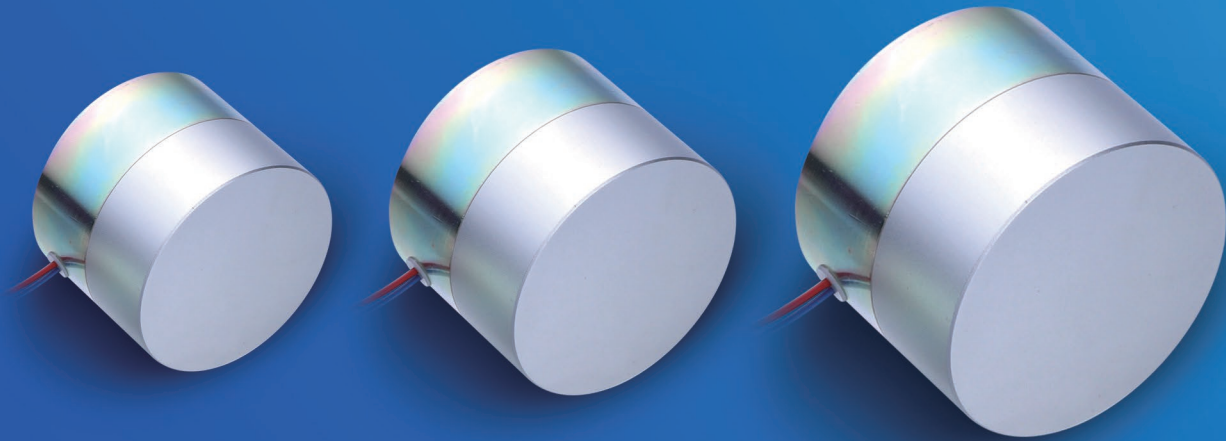
Please tell us if there is vibration in application. Client should pay attention to the integrity and reliability of the transmitted signal.

Download datasheet: <https://assunmotor.com/documents-download>

Visit Our Website and Online Shop at <https://assunmotor.com> Contact: info@assunmotor.com

BRAKES

Assun Brakes are regarded as the final compartments for total solution of DC drive. Brakes are used to clamp the motor shafts and hold it in fixed position when motors stop. Power-on and power-off types are provided to fit for different applications.



AM-BK2420GE

AM-BK3526GE

AM-BK4228GE

AM-BK5032GE

AM-BK2423LE

AM-BK3531LE

AM-BK4235LE

AM-BK5039LE

Company Name Abbreviation

AM - BK 4228 GE - 2410

Code Of Brake

Break Type

Temp. Level

Break Dimension

42 - Diameter
28 - Thickness

G - Power-On Brake
L - Power-Off Brake

N - 85°C
E - 120°C
F - 155°C
H - 180°C

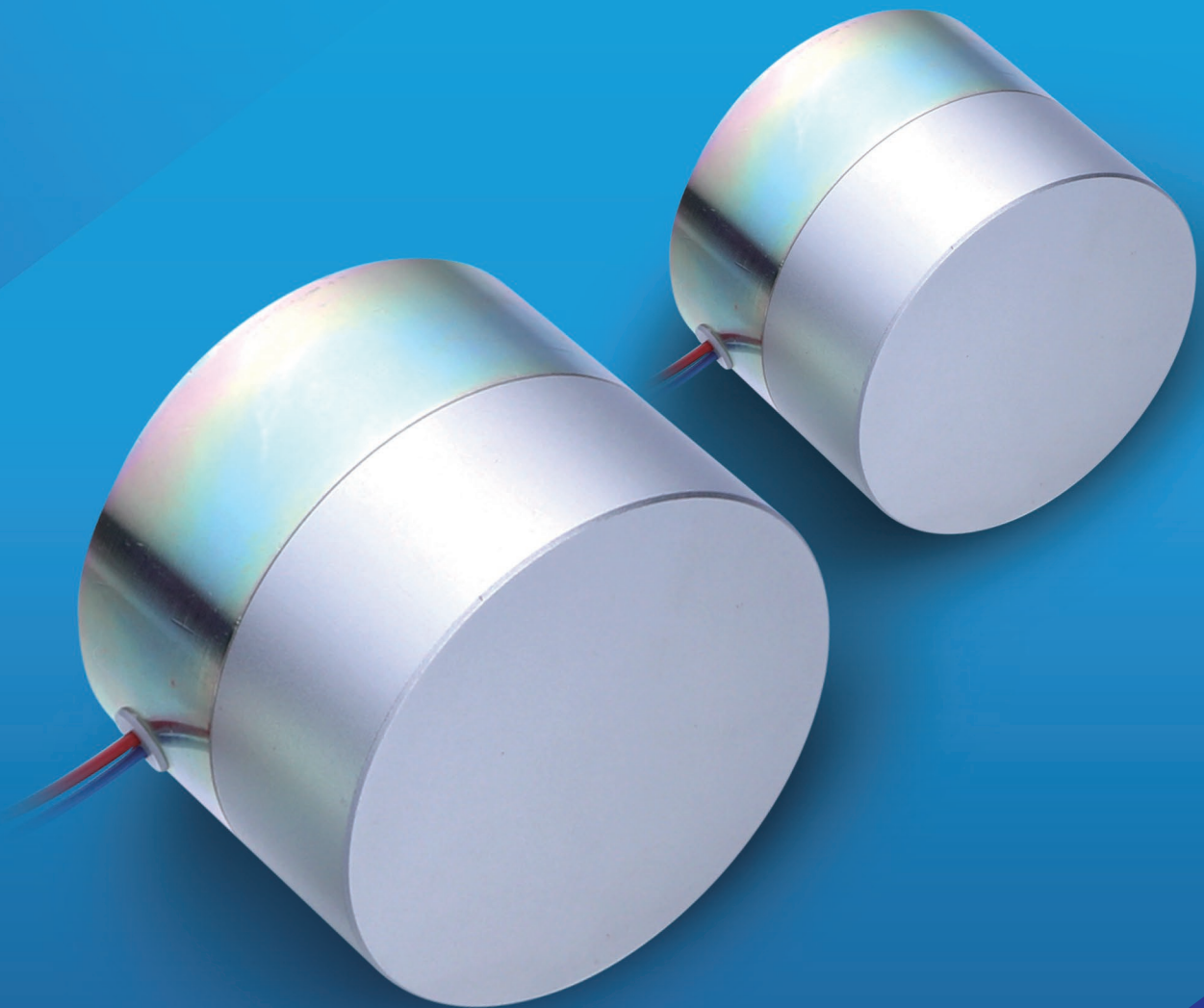
Voltage & Torque

24 - Nominal Voltage (V)
10 - Static Braking Torque (x0.1Nm)

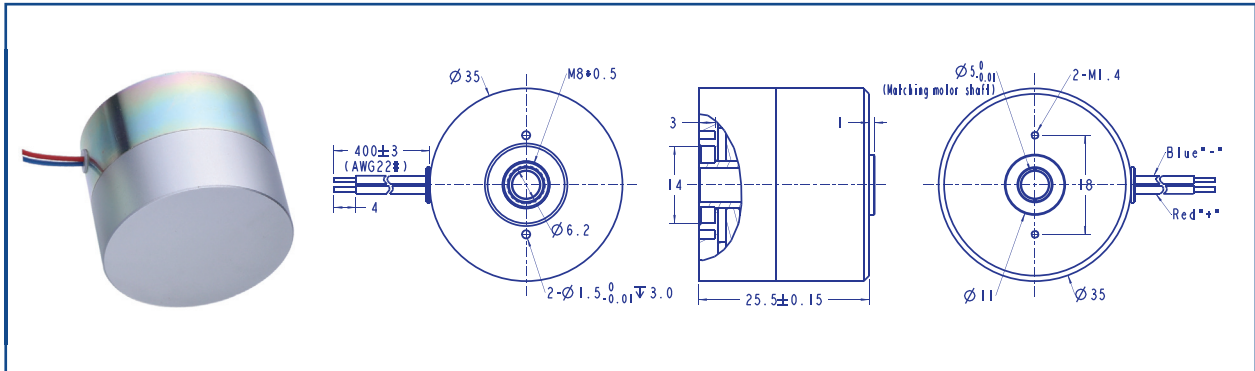
BRAKES

POWER ON AND POWER OFF BRAKES

Power-On and Power-Off brakes by Assun have got diameters of 24mm, 35mm, 42mm and 50mm, static brake torque values of 0.2Nm, 0.5Nm, 1Nm and 1.5 Nm, to fit for different motors and applications.



AM-BK3526GE Series



ELECTROMAGNETIC BRAKE

1) Parameters

Parameters/Models	Static friction torque	Rated voltage	Power	Temperature rating	Maximum speed	Moment of inertia	Weight
AM-BK3526GE-2405	0.5 N.M	24 V	7.7 W	120 °C	8000 rpm	28.44 g.cm ²	106.4 g
Parameters/Models	Life time	Thermal resistance	Thermal time constant	Coil inductance	Electrical time constant	Operating Environment Temperature	
AM-BK3526GE-2405	100000 Times	20.0 K/W	630 s	59.3 mH	0.8 ms	-25~55 °C (Customizable)	

2) Special features

- Fixed accuracy, no backlash
- Small size and high torque
- Low noise, high speed
- Fast response and long life

3) Applications

- Robotic brake
- Z-axis brake
- Servo motor static braking
- General purpose motor

4) Precautions

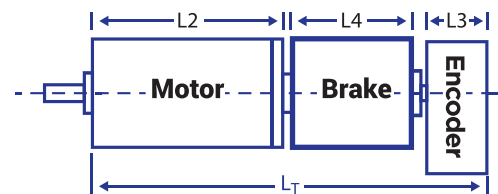
- Avoid contact with oil or dust, these factors will reduce the torque of the product;
- Please connect with the product with the correct voltage and polarity to avoid damage or abnormal work;
- The initial torque may not reach the rated torque for the first time. Please rotate 50 to 60 times at 40 to 60 rpm in the braking state;
- This product cannot be used as a high-speed dynamic brake.

5) Recommended Combination

Total Length of Geared Motor System: $L_T=L_2+L_3+L_4(=25.5\text{mm})$

L2:BL36	L3:EN22S	L2:BL36	L3:EN36T
60.5	10.7	60.5	12.0
75.0		75.0	
90.0		90.0	
L2:BL40	L3:EN22S	L2:BL40	L3:EN36T
60.0	10.7	60.0	12.0

AM-BK3526GE Combination Scheme



Recommended Motor:
Brush less Motor:
AM-BL/D36**
AM-BL40**

Recommended Encoder:
Encoder S: AM-EN2211S***
2~3 Channels
Encoder T: AM-EN3612T***
2~3 Channels

For more combination specs, visit Assun Motor website.

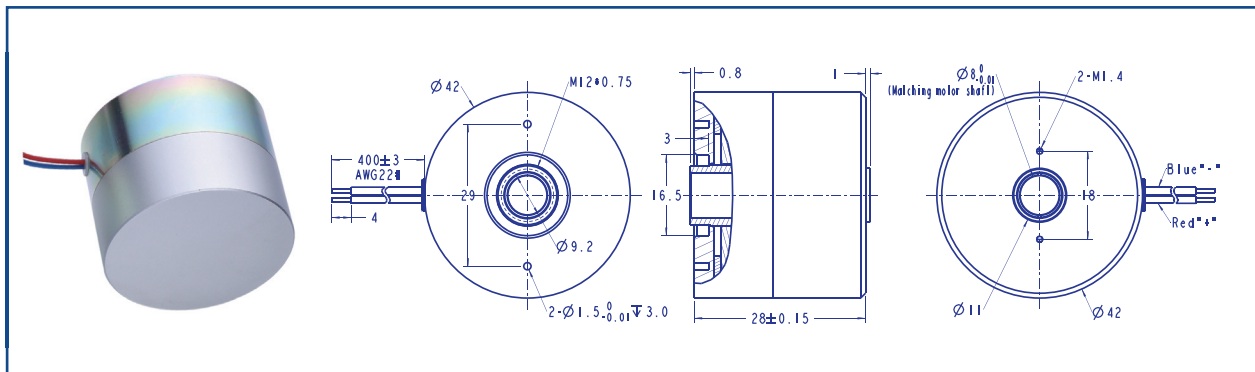
For more Motor and encoder specs, see Assun Motor website.

Please tell us if there is vibration in application. Client should pay attention to the integrity and reliability of the transmitted signal.

Download datasheet: <https://assunmotor.com/documents-download>

Visit Our Website and Online Shop at <https://assunmotor.com> Contact: info@assunmotor.com

AM-BK4228GE Series



ELECTROMAGNETIC BRAKE

1) Parameters

Parameters/Models	Static friction torque	Rated voltage	Power	Temperature rating	Maximum speed	Moment of inertia	Weight
AM-BK4228GE-2410	1.0 N.M	24 V	10.7 W	120 °C	8000 rpm	77.56 g.cm ²	162 g
Parameters/Models	Life time	Thermal resistance	Thermal time constant	Coil inductance	Electrical time constant	Operating Environment Temperature	
AM-BK4228GE-2410	100000 Times	13.2 K/W	789 s	50.2 mH	0.9 ms	-25~55 °C (Customizable)	

2) Special features

- Fixed accuracy, no backlash
- Small size and high torque
- low noise, high speed
- Fast response and long life

3) Applications

- Robotic brake
- Z-axis brake
- Servo motor static braking
- General purpose motor

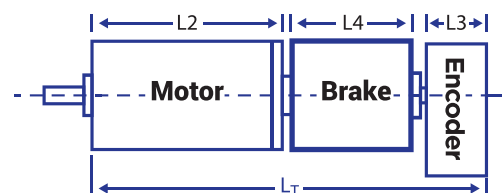
4) Precautions

- Avoid contact with oil or dust, these factors will reduce the torque of the product;
- Please connect with the product with the correct voltage and polarity to avoid damage or abnormal work;
- The initial torque may not reach the rated torque for the first time. Please rotate 50 to 60 times at 40 to 60 rpm in the braking state;
- This product cannot be used as a high-speed dynamic brake.

5) Recommended Combination

Total Length of Geared Motor System: L _T =L ₂ +L ₃ +L ₄ (=28mm)				
L2:BL45	L3:EN22S	L2:BL45	L3:EN36T	
100.0	10.7	100.0	12.0	
L2:BL65	L3:EN22S	L2:BL65	L3:EN36T	
108.5	10.7	108.5	12.0	
140.0		140.0		

AM-BK4228GE Combination Scheme



Recommended Motor:
 Brush less Motor:
 AM-BL/D45***
 AM-BL65***

Recommended Encoder:
 Encoder S: AM-EN2211S***
 2~3 Channels
 Encoder T: AM-EN3612T***
 2~3 Channels

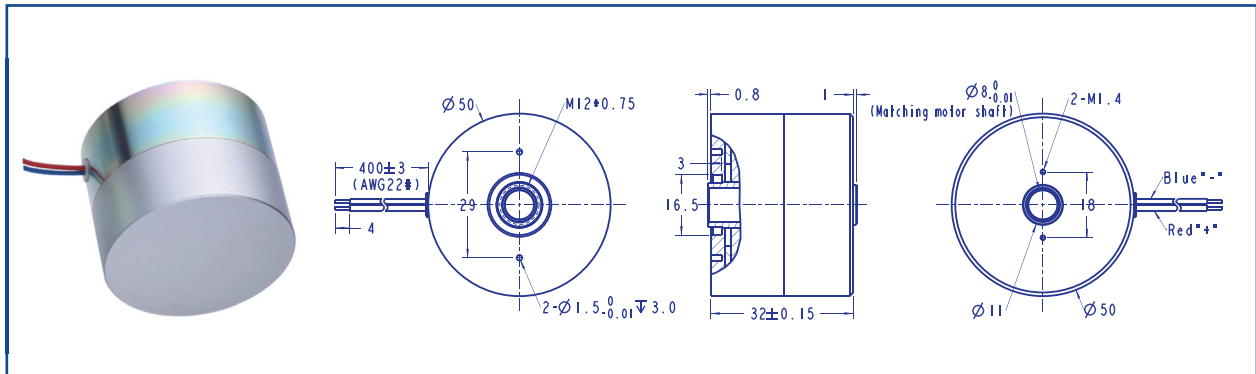
For more combination specs, visit Assun Motor website.

For more Motor and encoder specs, see Assun Motor website.

Please tell us if there is vibration in application. Client should pay attention to the integrity and reliability of the transmitted signal.

Download datasheet: <https://assunmotor.com/documents-download>

AM-BK5032GE Series



ELECTROMAGNETIC BRAKE

1) Parameters

Parameters/Models	Static friction torque	Rated voltage	Power	Temperature rating	Maximum speed	Moment of inertia	Weight
AM-BK5032GE-2415	1.5 N.M	24 V	18.6 W	120 °C	8000 rpm	154.8 g.cm ²	275.2 g
Parameters/Models	Life time	Thermal resistance	Thermal time constant	Coil inductance	Electrical time constant	Operating Environment Temperature	
AM-BK5032GE-2415	100000 Times	7.5 K/W	774 s	51.3 mH	1.7 ms	-25~55 °C (Customizable)	

2) Special features

- Fixed accuracy, no backlash
- Small size and high torque
- low noise, high speed
- Fast response and long life

3) Applications

- Robotic brake
- Z-axis brake
- Servo motor static braking
- General purpose motor

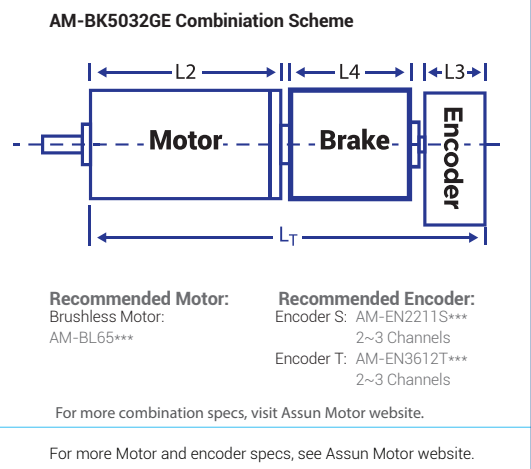
4) Precautions

- Avoid contact with oil or dust, these factors will reduce the torque of the product;
- Please connect with the product with the correct voltage and polarity to avoid damage or abnormal work;
- The initial torque may not reach the rated torque for the first time. Please rotate 50 to 60 times at 40 to 60 rpm in the braking state;
- This product cannot be used as a high-speed dynamic brake.

5) Recommended Combination

Total Length of Geared Motor System: $L_T=L_2+L_3+L_4(=32\text{mm})$

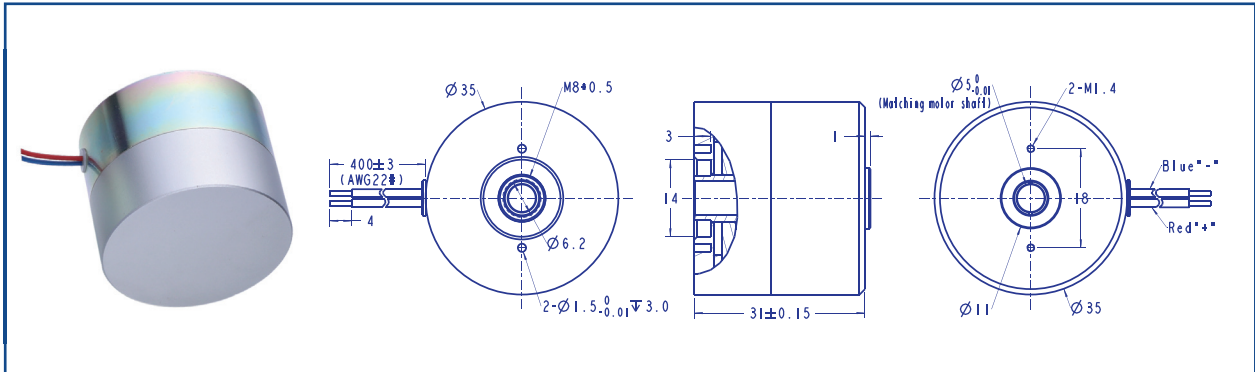
L2:BL65	L3:EN36T	L2:BL65	L3:EN22S
108.5	12.0	108.5	10.7
140.0		140.0	



Please tell us if there is vibration in application. Client should pay attention to the integrity and reliability of the transmitted signal.

Download datasheet: <https://assunmotor.com/documents-download>

AM-BK3531LE Series



ELECTROMAGNETIC BRAKE

1) Parameters

Parameters/Models	Static friction torque	Rated voltage	Power	Temperature rating	Maximum speed	Moment of inertia	Weight
AM-BK3531LE-2405	0.5 N.M	24 V	5.0 W	120 °C	8000 rpm	28.44 g.cm ²	132.8 g
Parameters/Models	Life time	Thermal resistance	Thermal time constant	Coil inductance	Electrical time constant	Operating Environment Temperature	
AM-BK3531LE-2405	100000 Times	16.0 K/W	700 s	92.7 mH	1.2 ms	-25~55 °C (Customizable)	

2) Special features

1. Fixed accuracy, no backlash
2. Small size and high torque
3. Low noise, high speed
4. Fast response and long life

3) Applications

1. Robotic brake
2. Z-axis brake
3. Servo motor static braking
4. General purpose motor

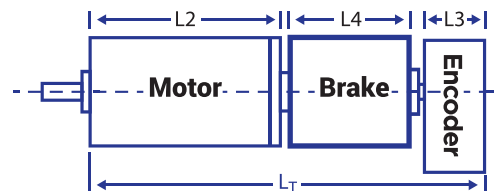
4) Precautions

1. Avoid contact with oil or dust, these factors will reduce the torque of the product;
2. Please connect with the product with the correct voltage and polarity to avoid damage or abnormal work;
3. The initial torque may not reach the rated torque for the first time. Please rotate 50 to 60 times at 40 to 60 rpm in the braking state;
4. This product cannot be used as a high-speed dynamic brake.

5) Recommended Combination

Total Length of Geared Motor System: $L_T=L_2+L_3+L_4(=31\text{mm})$			
L2:BL36	L3:EN22S	L2:BL36	L3:EN36T
60.5	10.7	60.5	12.0
		75.0	
		90.0	
L2:BL40	L3:EN22S	L2:BL40	L3:EN36T
60.0	10.7	60.0	12.0

AM-BK3531LE Combination Scheme



Recommended Motor:

Brush less Motor:
 AM-BL/D36**
 AM-BL40**

Recommended Encoder:

Encoder S: AM-EN2211S***
 2~3 Channels
 Encoder T: AM-EN3612T***
 2~3 Channels

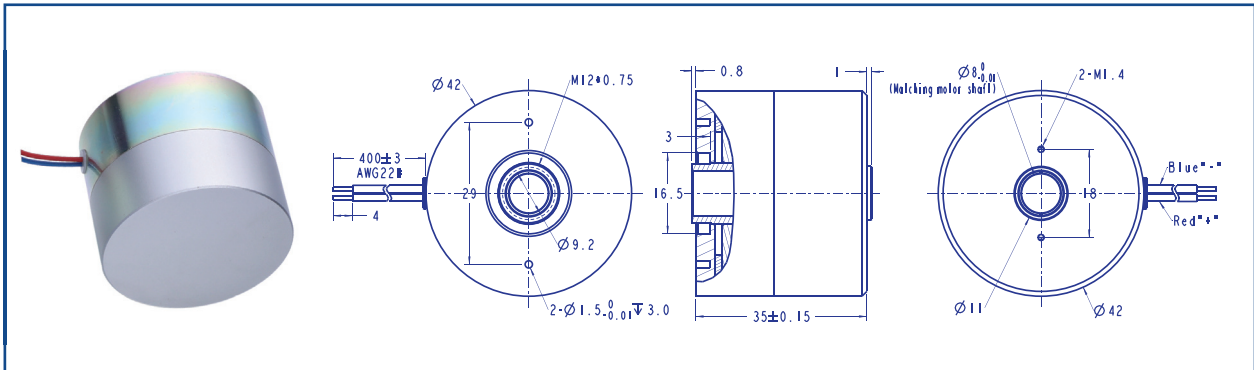
For more combination specs, visit Assun Motor website.

For more Motor and encoder specs, see Assun Motor website.

Please tell us if there is vibration in application. Client should pay attention to the integrity and reliability of the transmitted signal.

Download datasheet: <https://assunmotor.com/documents-download>

AM-BK4235LE Series



ELECTROMAGNETIC BRAKE

1) Parameters

Parameters/Models	Static friction torque	Rated voltage	Power	Temperature rating	Maximum speed	Moment of inertia	Weight
AM-BK4235LE-2410	1.0 N.M	24 V	7.5 W	120 °C	8000 rpm	77.56 g.cm ²	211.2 g
Parameters/Models	Life time	Thermal resistance	Thermal time constant	Coil inductance	Electrical time constant	Operating Environment Temperature	
AM-BK4235LE-2410	100000 Times	12.6 K/W	908 s	60.9 mH	1.1 ms	-25~55 °C (Customizable)	

2) Special features

1. Fixed accuracy, no backlash
2. Small size and high torque
3. low noise, high speed
4. Fast response and long life

3) Applications

1. Robotic brake
2. Z-axis brake
3. Servo motor static braking
4. General purpose motor

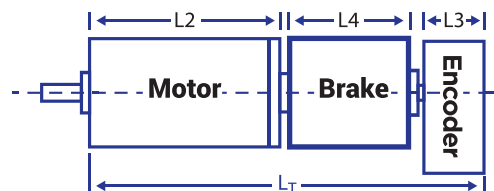
4) Precautions

1. Avoid contact with oil or dust, these factors will reduce the torque of the product;
2. Please connect with the product with the correct voltage and polarity to avoid damage or abnormal work;
3. The initial torque may not reach the rated torque for the first time. Please rotate 50 to 60 times at 40 to 60 rpm in the braking state;
4. This product cannot be used as a high-speed dynamic brake.

5) Recommended Combination

Total Length of Geared Motor System: L _T =L ₂ +L ₃ +L ₄ (=35mm)			
L2:BL45	L3:EN22S	L2:BL45	L3:EN36T
100.0	10.7	100.0	12.0
L2:BL65	L3:EN22S	L2:BL65	L3:EN36T
108.5	10.7	108.5	12.0
140.0		140.0	

AM-BK4235LE Combination Scheme



Recommended Motor:
 Brush less Motor:
 AM-BL/D45***
 AM-BL65***

Recommended Encoder:
 Encoder S: AM-EN2211S***
 2~3 Channels
 Encoder T: AM-EN3612T***
 2~3 Channels

For more combination specs, visit Assun Motor website.

For more Motor and encoder specs, see Assun Motor website.

Please tell us if there is vibration in application. Client should pay attention to the integrity and reliability of the transmitted signal.

Download datasheet: <https://assunmotor.com/documents-download>



SHENZHEN, CHINA

Assun Motor Co., Ltd
7F, Building Block 6, Yongping Industrial Area, 9 Tongfu Road,
Gankeng Community, Buji Town, Longgang District, Shenzhen, Guangdong, P.R.China

☎ +86-755 83688818

✉ info_cn@assunmotor.com

SINGAPORE

Assun Motor Pte Ltd
#06-05, 1092 Lower Delta Road, Singapore 169203

☎ +65-63525243

✉ info_sg@assunmotor.com

USA

Assun Motor Inc.
Suit F208, 6370 Lusk Boulevard, San Diego, CA 92121-2760 USA

☎ +1-833-277-8688

✉ info_us@assunmotor.com

ISRAEL (Agent)

9, Ben Zion Galis st., Petach-Tikva P.O.B. 4575 Petach-Tikva 49145, ISRAEL

☎ +972-39314447

✉ info_il@assunmotor.com

ITALY (Agent)

Via M. Kolbe 6 - 20090 Cesano Boscone (MI) - Italia

☎ +39 02 4505171

✉ info_it@assunmotor.com

AUSTRALIA (Agent)

4 Beaumont Road, Mount Kuring-gai, NSW 2080 Australia

☎ +39 02 4505171

✉ info_au@assunmotor.com

FOR A SOFT COPY OF THIS CATALOGUE, PLEASE VISIT:
[HTTPS://ASSUNMOTOR.COM/DOCUMENTS-DOWNLOAD](https://assunmotor.com/documents-download)