



Leader Harmonious Drive Systems Co.,Ltd  
TEL :0086- 512-66362298/66560692  
FAX :0086- 512-66362325  
E-mail : sales@leaderdrive.com  
Add : No. 19 Muxu west Road,Mudu,Suzhou,P.R.China  
Postal Code : 215101  
<http://www.leaderdrive.com>

NO. LD2019-1 Y

Leaderdrive®

leaderdrive®

苏州绿的谐波传动科技股份有限公司

Leader Harmonious Drive Systems Co.,Ltd

LCD Ultra-Flat Cup-Shaped Flexspline Strain Wave Gear  
Product Introduction Manual



## LCD series



With a flexible gear in ultra-thin cup-shaped structure, LCD series are designed with an ultra-flat structure, with small volume and light weight, and are therefore can be used as the end joint of robot and client reducer.

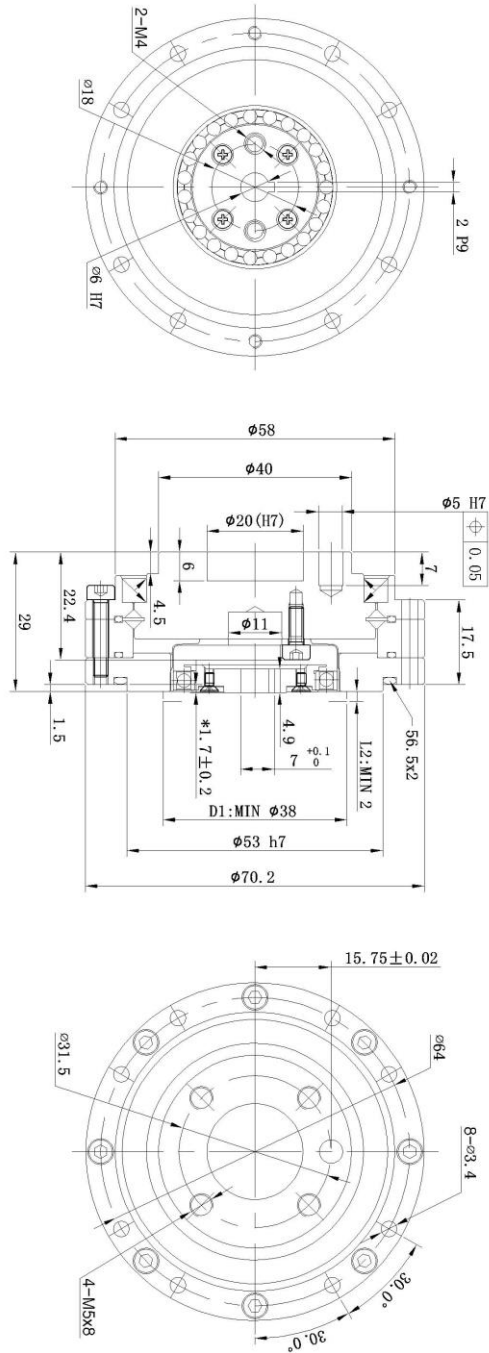
### Parameter Table

Item Model No	Reduction Ratio	Rated Torque at 2000r/min	Allowable Peak Torque at Start and Stop	Allowable Average Torque	Allowable Maximum Momentary Torque	Maximum Input Speed	Allowable Average Input Speed	Back lash	Weight	Design Life
		Nm	Nm	Nm	Nm	r/min	r/min	Arc sec	Kg	Hour
14	50	3.5	11.4	4.6	23	8000	3500	≤20	0.56	9000
	80	5.1	15	6.2	29			≤20		10000
	100	5.1	18	7.3	33			≤20		10000
17	50	10.4	22	17	46	7000	3500	≤20	0.48	9000
	80	14	29	21	54			≤20		10000
	100	15	35	26	67			≤20		10000
20	50	16	37	23	66	6000	3500	≤20	0.68	9000
	80	23	49	28	78			≤20		10000
	100	27	54	32	90			≤20		10000
25	50	26	66	36	121	5500	3500	≤20	1.3	9000
	80	42	91	62	157			≤20		10000
	100	45	104	71	175			≤20		10000
	120	45	111	71	187			≤20		10000
32	50	50	143	71	255	4500	3500	≤20	2.5	9000
	80	79	202	126	350			≤20		10000
	100	91	221	144	399			≤20		10000
	120	91	235	144	423			≤20		10000
40*	50	91	267	130	456	4000	3000	≤20	3.8	9000
	100	176	378	247	665			≤20		10000
	160	196	430	300	727			≤20		10000

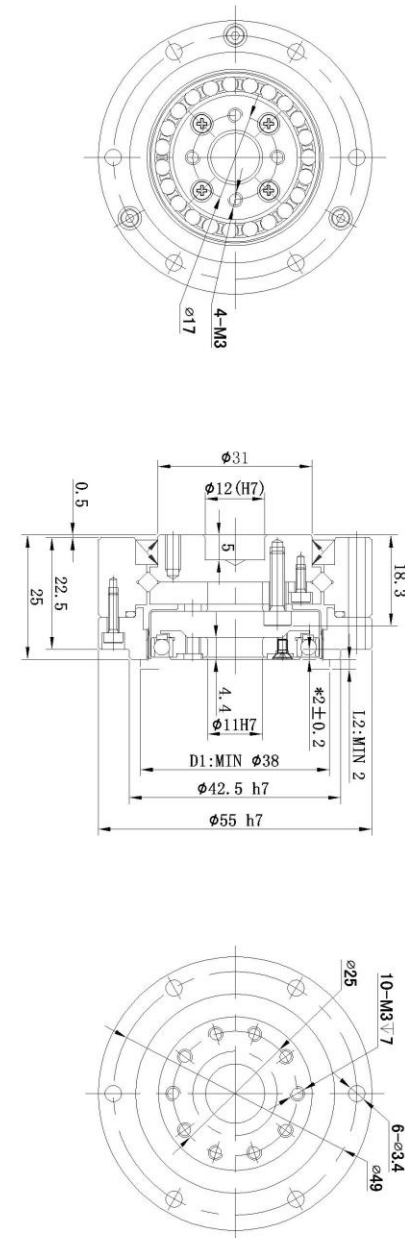
\* Consult factory

# LCD Series Drawings

LCD-14-XXX-C-I

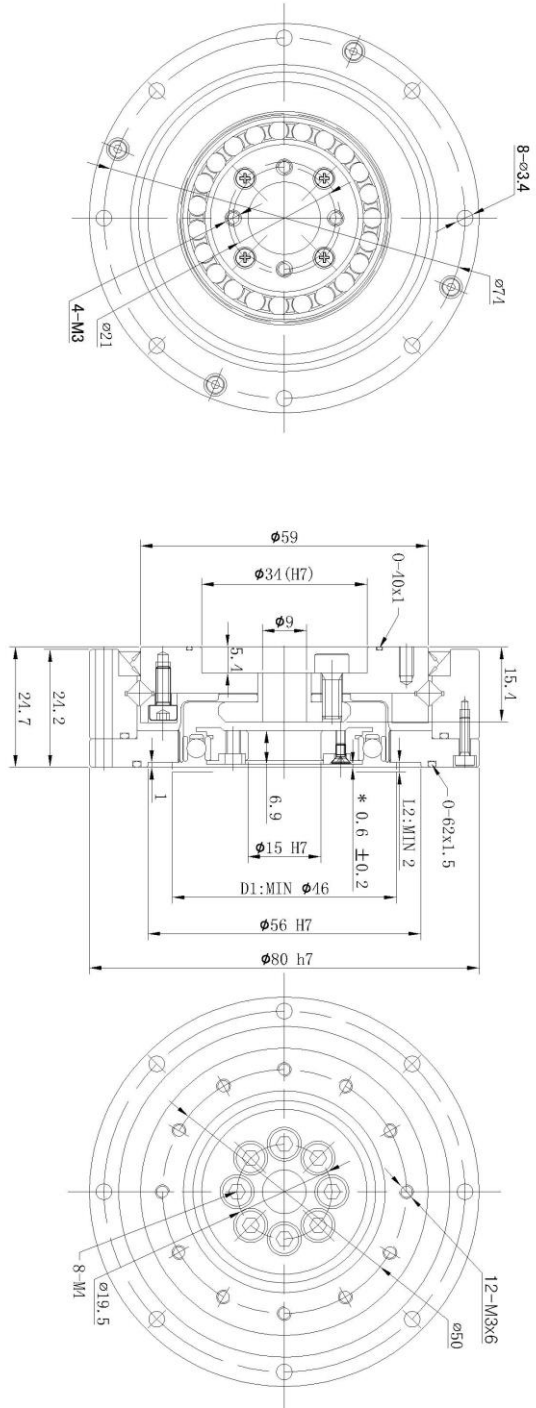


LCD-14-XXX-C-I-ST

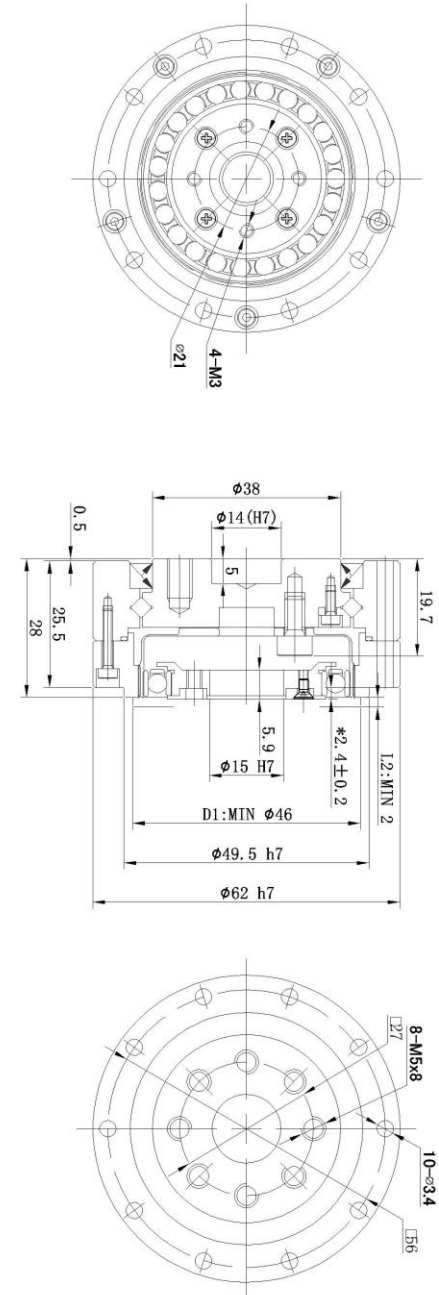


# LCD Series Drawings

LCD-17-XXX-C-I



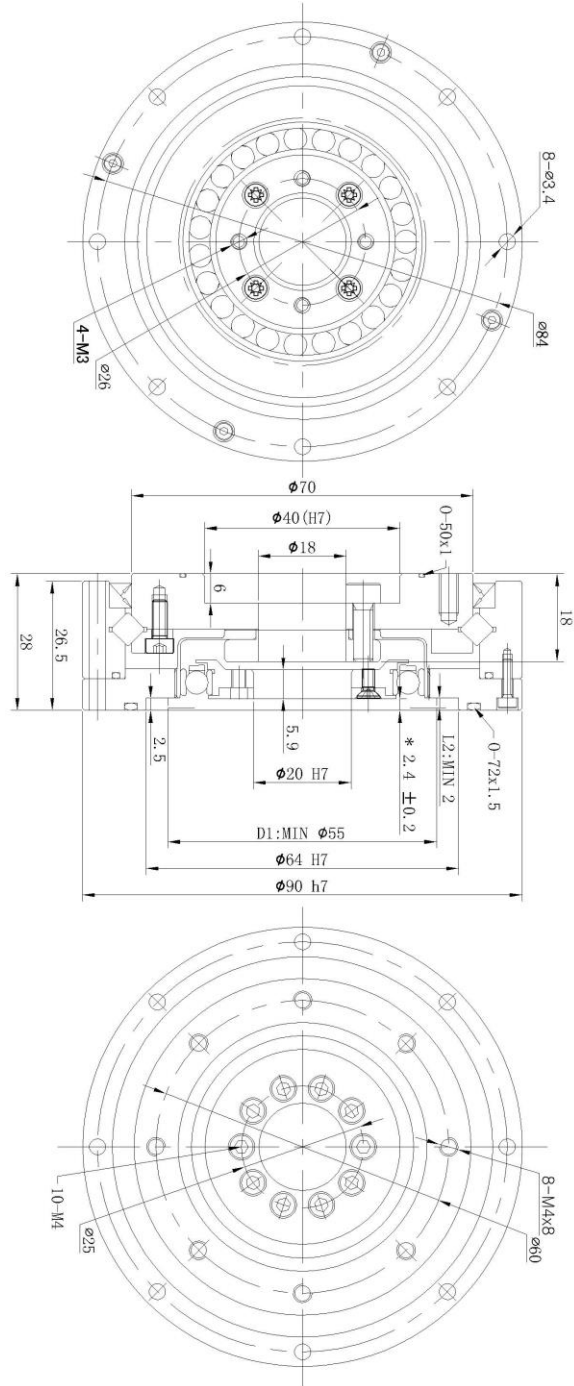
LCD-17-XXX-C-I-ST



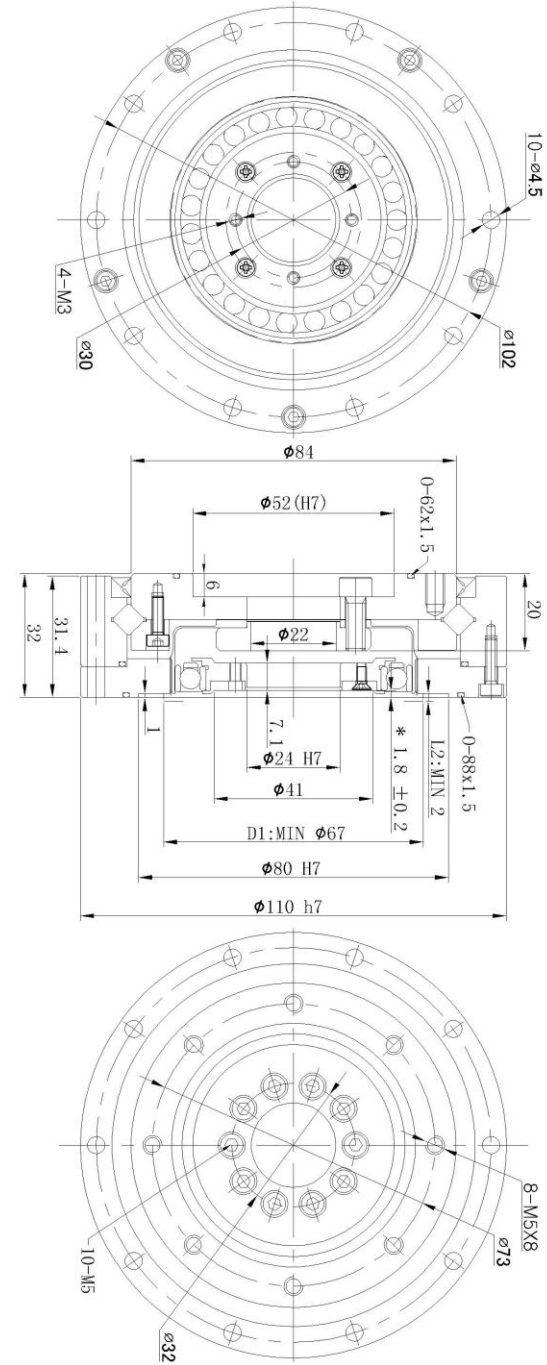


# LCD Series Drawings

LCD-20-XXX-C-I

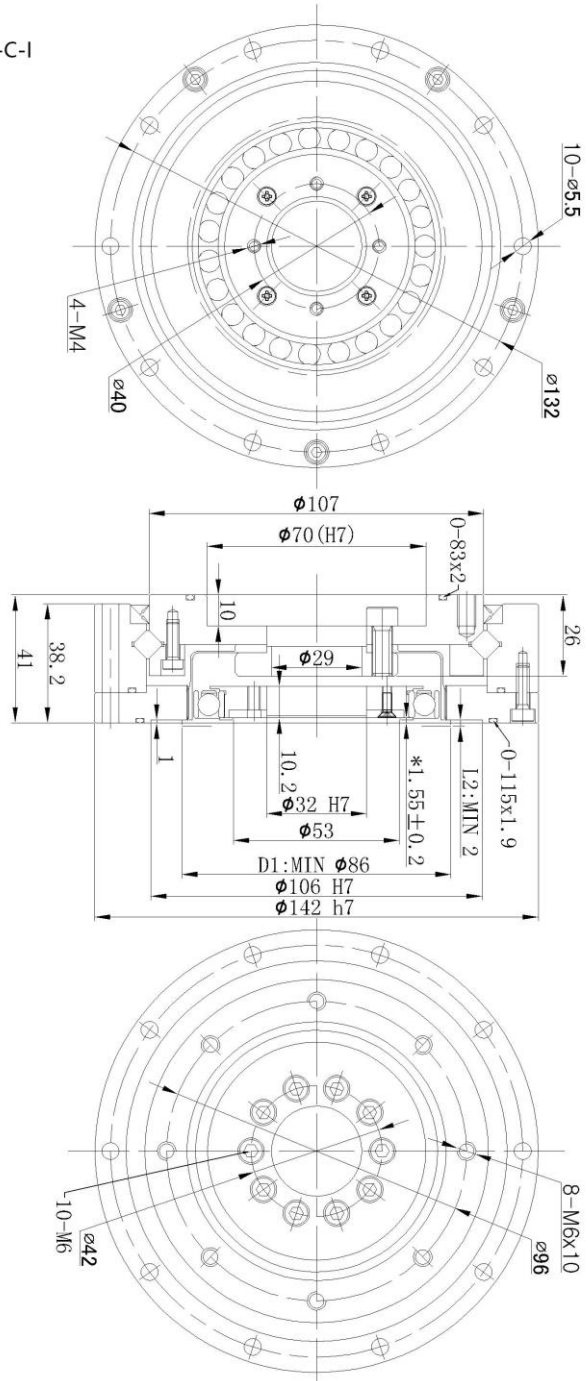


LCD-25-XXX-C-I

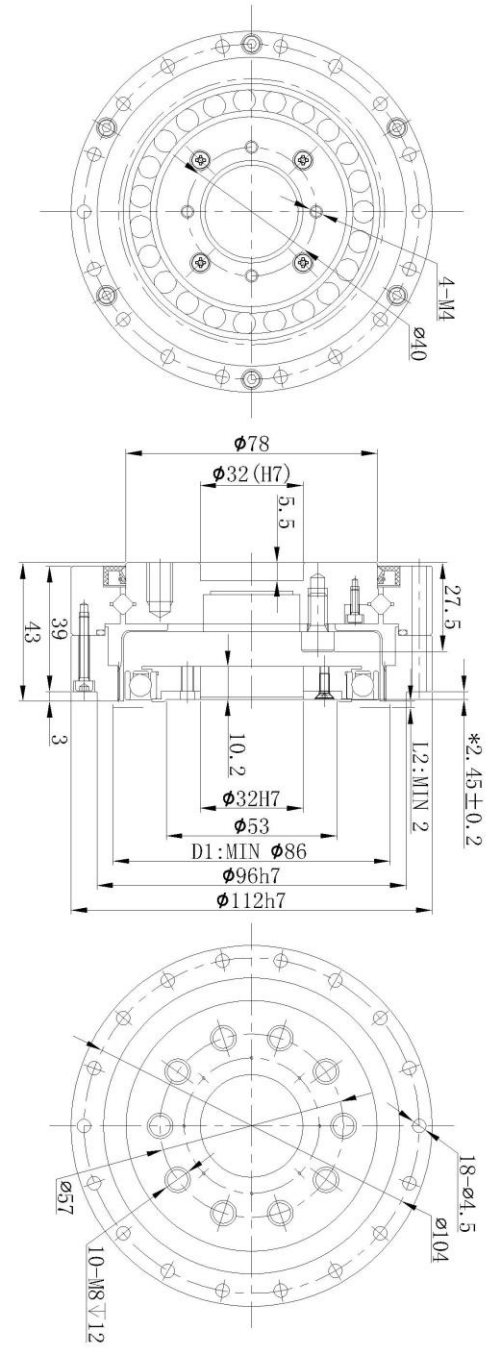


# LCD Series Drawings

LCD-32-XXX-C-I

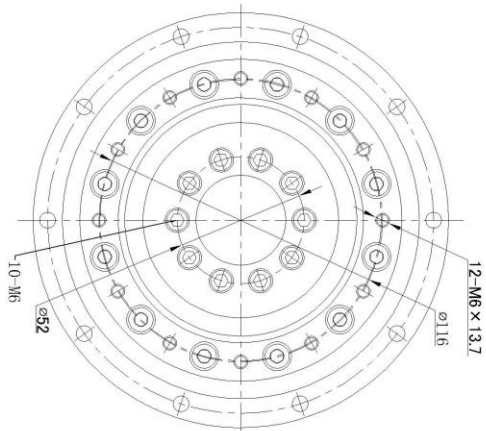
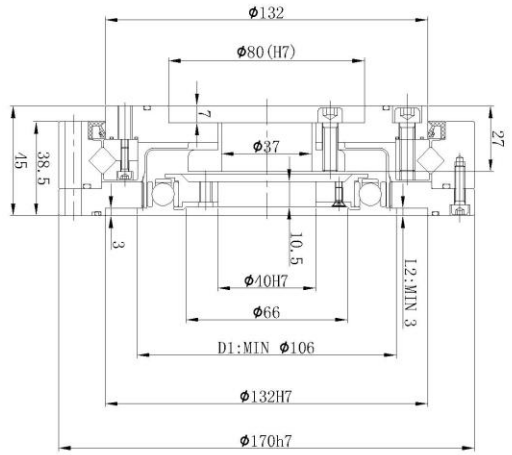
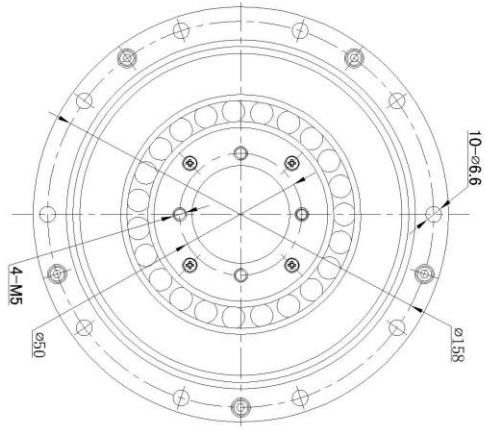


LCD-32-XXX-C-I-ST



# LCD Series Drawings

LCD-40-XXX-C-I





Leader Harmonious Drive Systems Co.,Ltd  
TEL :0086- 512-66362298/66560692  
FAX :0086- 512-66362325  
E-mail : sales@leaderdrive.com  
Add : No. 19 Muxu west Road, Mudu, Suzhou, P.R. China  
Postal Code : 215101  
<http://www.leaderdrive.com>

NO. LD2019-1 Y

Leaderdrive®

leaderdrive®

苏州绿的谐波传动科技股份有限公司

Leader Harmonious Drive Systems Co.,Ltd

LCS Standard Cup-Shaped Flexspline Strain Wave Gear  
Product Introduction Manual





## LCS-I series



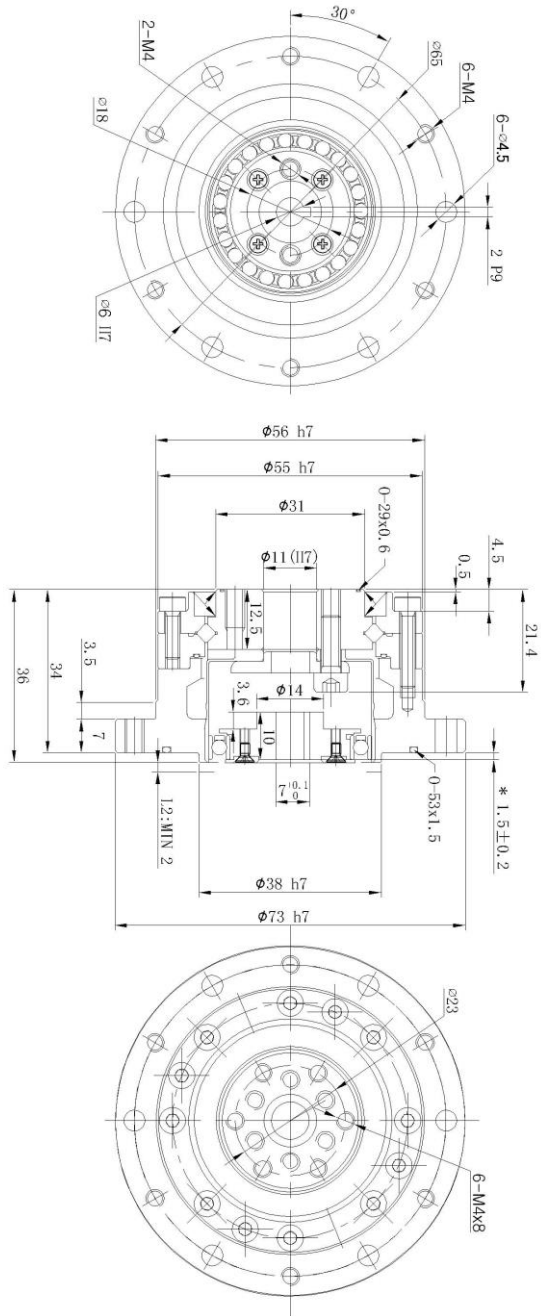
For LCS-I series, their flexible gear is of standard cup-shaped tube structure. Their input shaft matches with the inner hole of wave transformer directly and are connected by flat key. In general, the series are used with the rigid gear end fixed and flexible gear outputting.

### Parameter Table

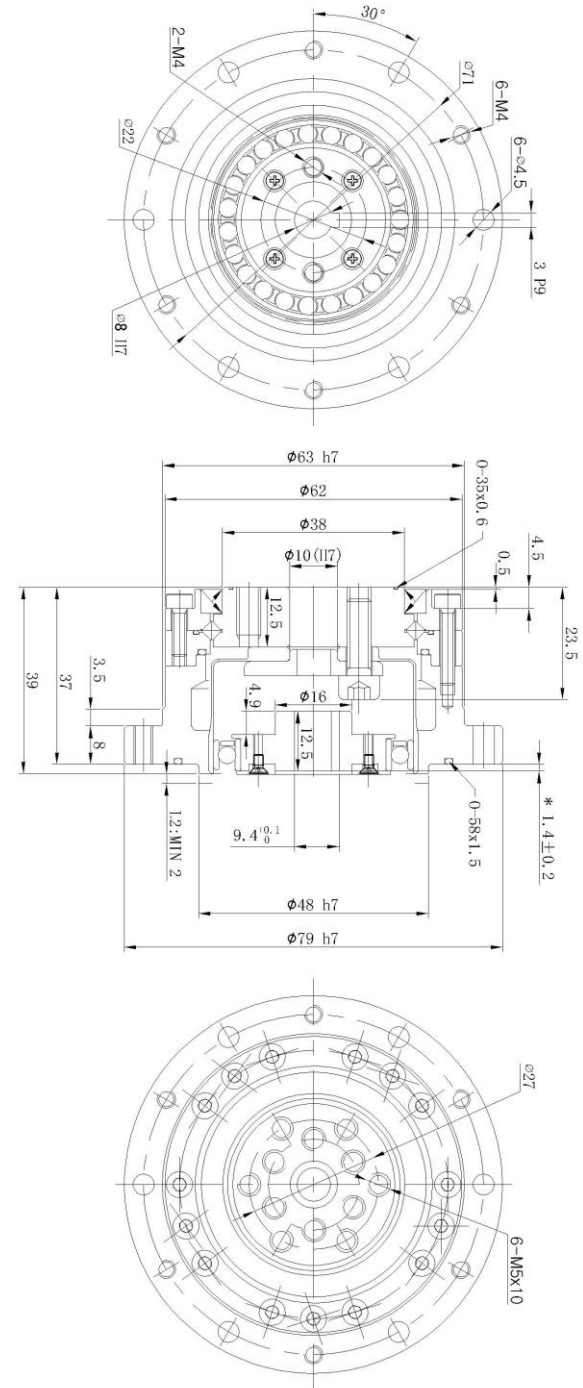
Item Model No	Reduction Ratio	Rated Torque at 2000r/min	Allowable Peak Torque at Start and Stop	Allowable Average Torque	Allowable Maximum Momentary Torque	Maximum Input Speed	Allowable Average Input Speed	Back lash	Weight	Design Life
		Nm	Nm	Nm	Nm	r/min	r/min	Arc sec	Kg	Hour
14	30	3.8	8.5	6.5	16	8000	3500	≤20	0.51	10000
	50	5.1	17.1	6.6	33			≤20		10000
	80	7.4	22	10.5	44			≤10		15000
	100	7.4	26	10.5	61			≤10		15000
17	30	8.4	15	11.5	28	7000	3500	≤20	0.68	10000
	50	15.2	32	25	66			≤20		10000
	80	21	41	26	83			≤10		15000
	100	23	51	37	103			≤10		15000
	120	23	51	37	82			≤10		15000
	160	38	83	47	140			≤10		15000
20	30	14	26	19	48	6000	3500	≤20	0.98	10000
	50	24	53	32	93			≤20		10000
	80	32	70	45	121			≤10		15000
	100	38	78	47	140			≤10		15000
	120	38	83	47	140			≤10		15000
	160	38	87	47	140			≤10		15000
	250	64	167	103	298			≤10		15000
25	30	26	48	36	90	5500	3500	≤20	1.47	10000
	50	37	93	52	177			≤20		10000
	80	60	130	83	242			≤10		15000
	100	64	149	103	270			≤10		15000
	120	64	159	103	289			≤10		15000
	160	64	167	103	298			≤10		15000
32	30	51	95	71	190	4500	3500	≤20	3.19	10000
	50	72	205	103	363			≤20		10000
	80	112	289	159	540			≤10		15000
	100	130	316	205	615			≤10		15000
	120	130	335	205	652			≤10		15000
	160	130	353	205	652			≤10		15000
40	50	130	382	186	652	4000	3000	≤20	5.0	10000
	80	196	493	270	931			≤10		15000
	100	252	540	353	1026			≤10		15000
	120	279	586	429	1121			≤10		15000
	160	279	615	429	1121			≤10		15000
50*	50	233	679	333	1358	3000	2500	≤20	9.8	10000
	80	353	894	493	1767			≤10		15000
	100	446	931	633	1957			≤10		15000
	120	503	1026	772	1957			≤10		15000
	160	503	1121	801	2327			≤10		15000
58*	80	522	1406	732	2328	3000	2200	≤10	14.8	15000
	100	661	1511	1007	3021			≤10		15000
	120	708	1634	1131	3164			≤10		15000
	160	708	1748	1150	3259			≤10		15000

# LCS-I Series Drawings

LCS-14-XXX-C-I

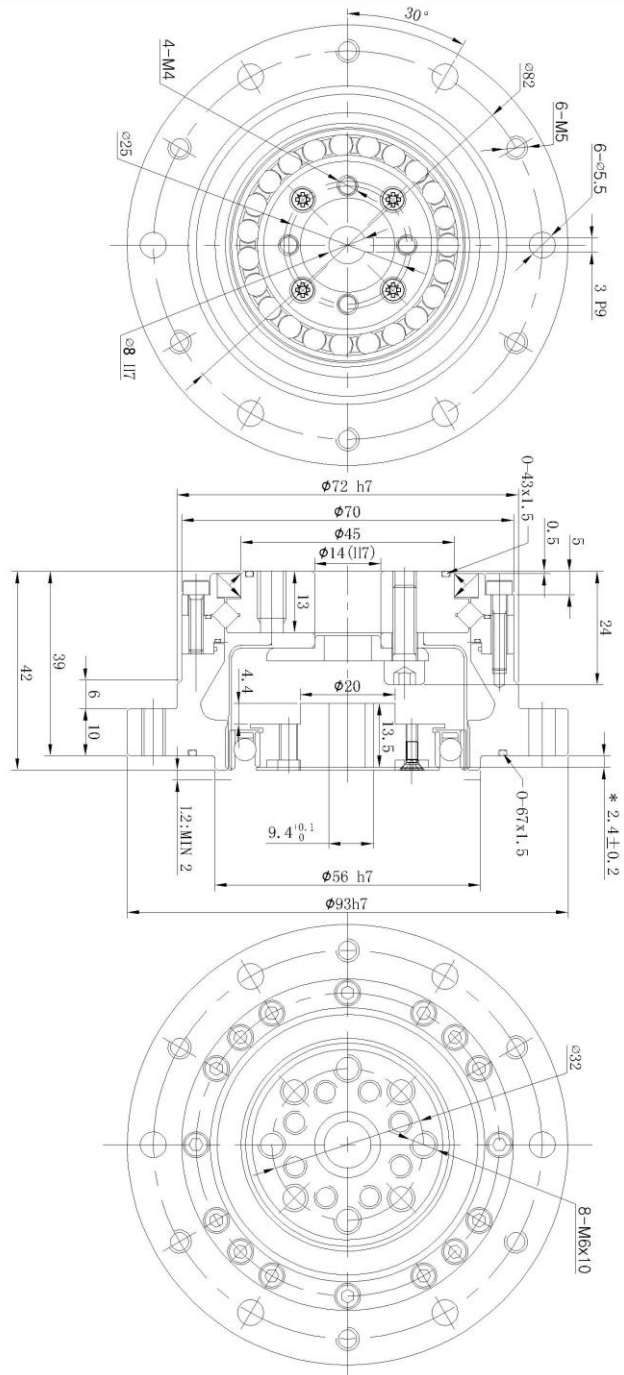


LCS-17-XXX-C-I

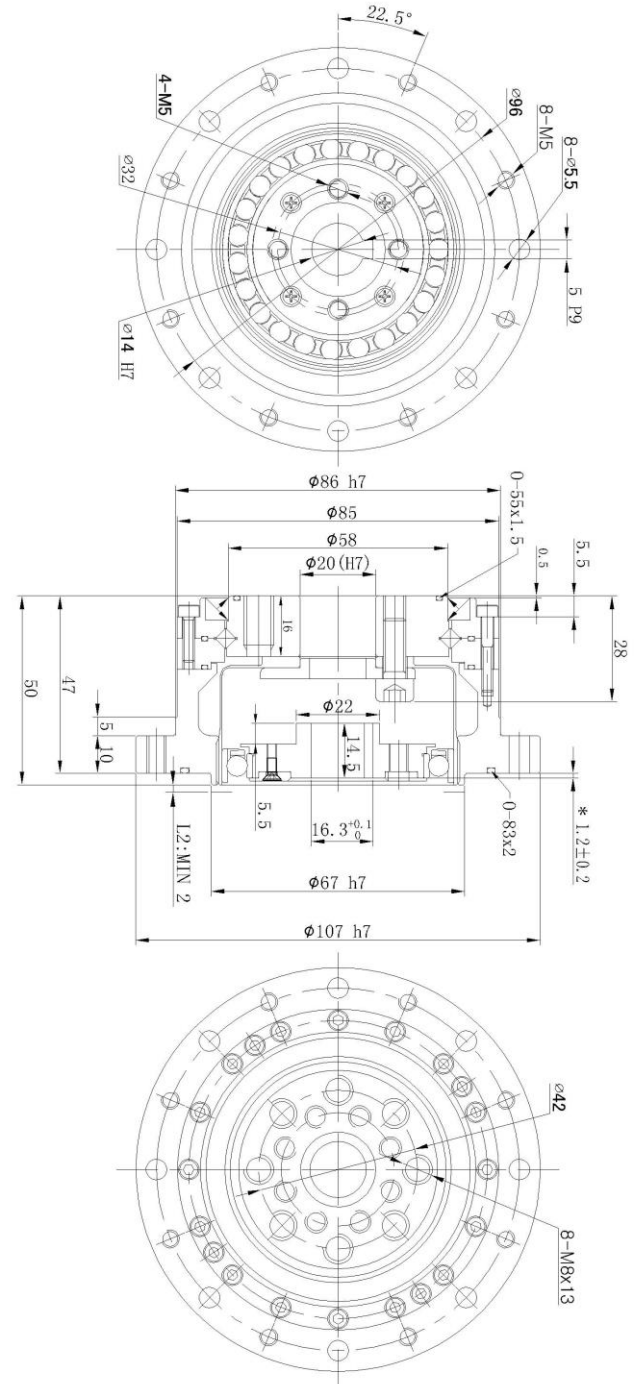


# LCS-I Series Drawings

LCS-20-XXX-C-I

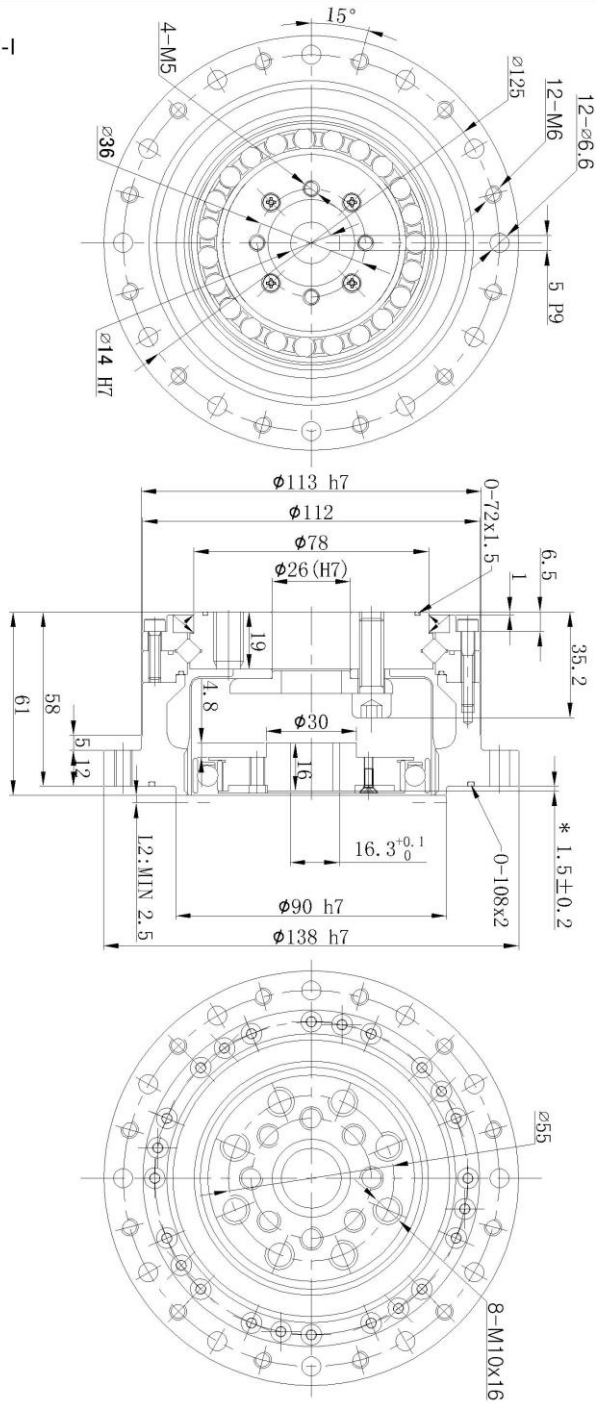


LCS-25-XXX-C-I

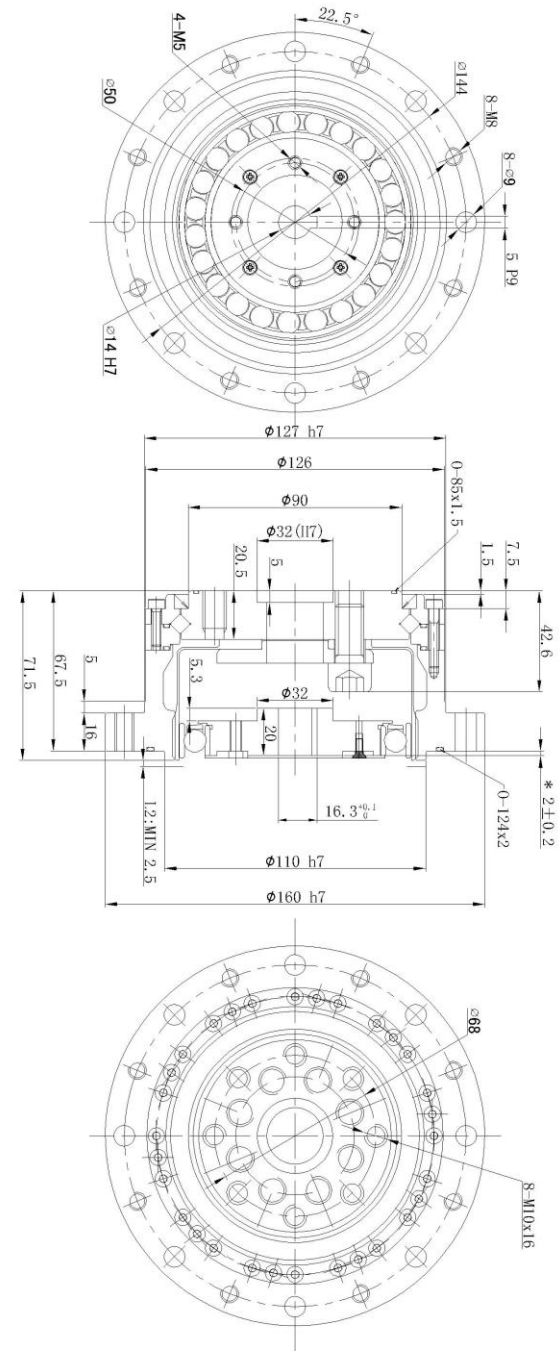


# LCS-I Series Drawings

LCS-32-XXX-C-I



LCS-40-XXX-C-I





## LCS-II series



For LCS-II series, their input shaft is connected with the inner hole of wave generator by double slider coupling.

### Parameter Table

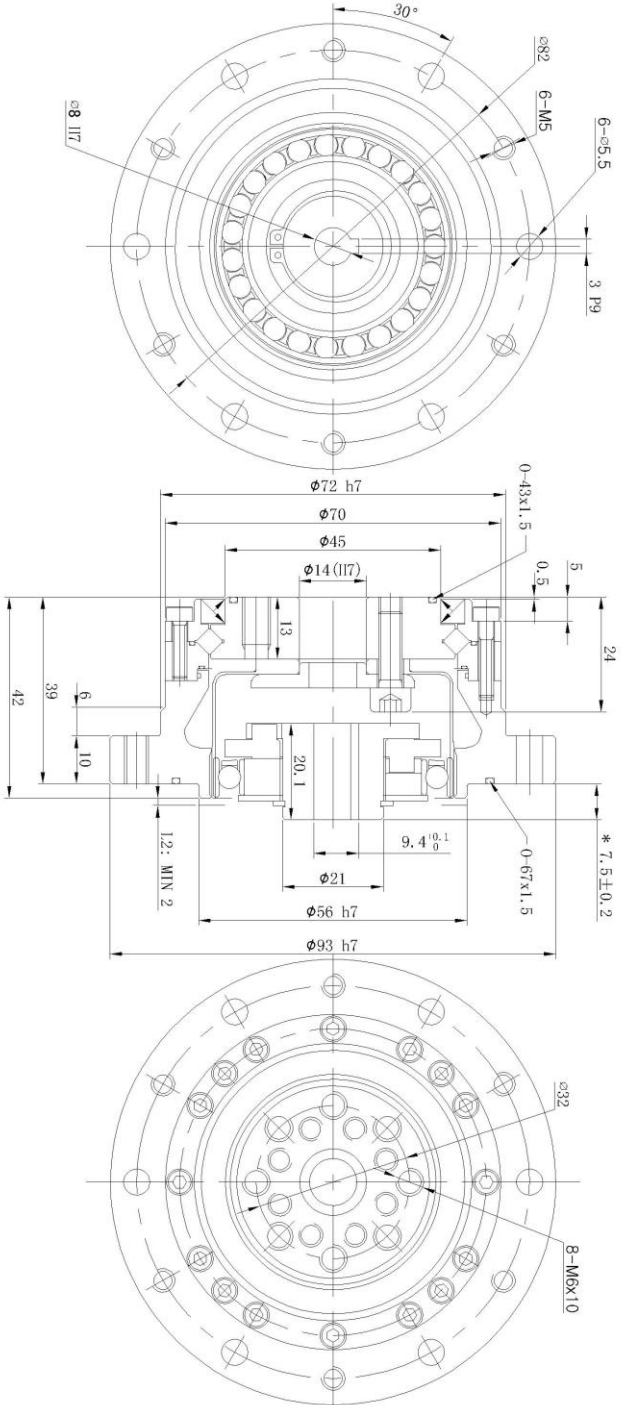
Item Model No	Reduction Ratio	Rated Torque at 2000r/min	Allowable Peak Torque at Start and Stop	Allowable Average Torque	Allowable Maximum Momentary Torque	Maximum Input Speed	Allowable Average Input Speed	Back lash	Weight	Design Life
		Nm	Nm	Nm	Nm	r/min	r/min	Arc sec	Kg	Hour
14	30	3.8	8.5	6.5	16	8000	3500	≤20	0.52	10000
	50	5.1	17.1	6.6	33			≤20		10000
	80	7.4	22	10.5	44			≤20		15000
	100	7.4	26	10.5	51			≤20		15000
17	30	8.4	15	11.5	28	7000	3500	≤20	0.69	10000
	50	15.2	32	25	66			≤20		10000
	80	21	41	26	83			≤20		15000
	100	23	51	37	103			≤20		15000
	120	23	51	37	82			≤20		15000
20	30	14	26	19	48	6000	3500	≤20	0.99	10000
	50	24	53	32	93			≤20		10000
	80	32	70	45	121			≤20		15000
	100	38	78	47	140			≤20		15000
	120	38	83	47	140			≤20		15000
25	160	38	87	47	140	5500	3500	≤20	1.48	15000
	30	26	48	36	90			≤20		10000
	50	37	93	52	177			≤20		10000
	80	60	130	83	242			≤20		15000
	100	64	149	103	270			≤20		15000
32	120	64	159	103	289	4500	3500	≤20	3.2	15000
	160	64	167	103	298			≤20		15000
	30	51	95	71	190			≤20		10000
	50	72	205	103	363			≤20		10000
	80	112	289	159	540			≤20		15000
40	100	130	316	205	615	4000	3000	≤20	5.0	15000
	120	130	335	205	652			≤20		15000
	160	130	353	205	652			≤20		15000
	50	130	382	186	652			≤20		10000
	80	196	493	270	931			≤20		15000
50*	100	252	540	353	1026	3000	2500	≤20	9.0	15000
	120	279	586	429	1121			≤20		15000
	160	279	615	429	1121			≤20		15000
	50	233	679	333	1358			≤20		10000
	80	353	894	493	1767			≤20		15000
58*	100	446	931	633	1957	3000	2200	≤10	14.8	15000
	120	503	1026	772	1957			≤10		15000
	160	503	1121	801	2327			≤10		15000
	80	522	1406	732	2328			≤10		15000
58*	100	661	1511	1007	3021	3000	2200	≤10	14.8	15000
	120	708	1634	1131	3164			≤10		15000
	160	708	1748	1150	3259			≤10		15000

\* Consult factory

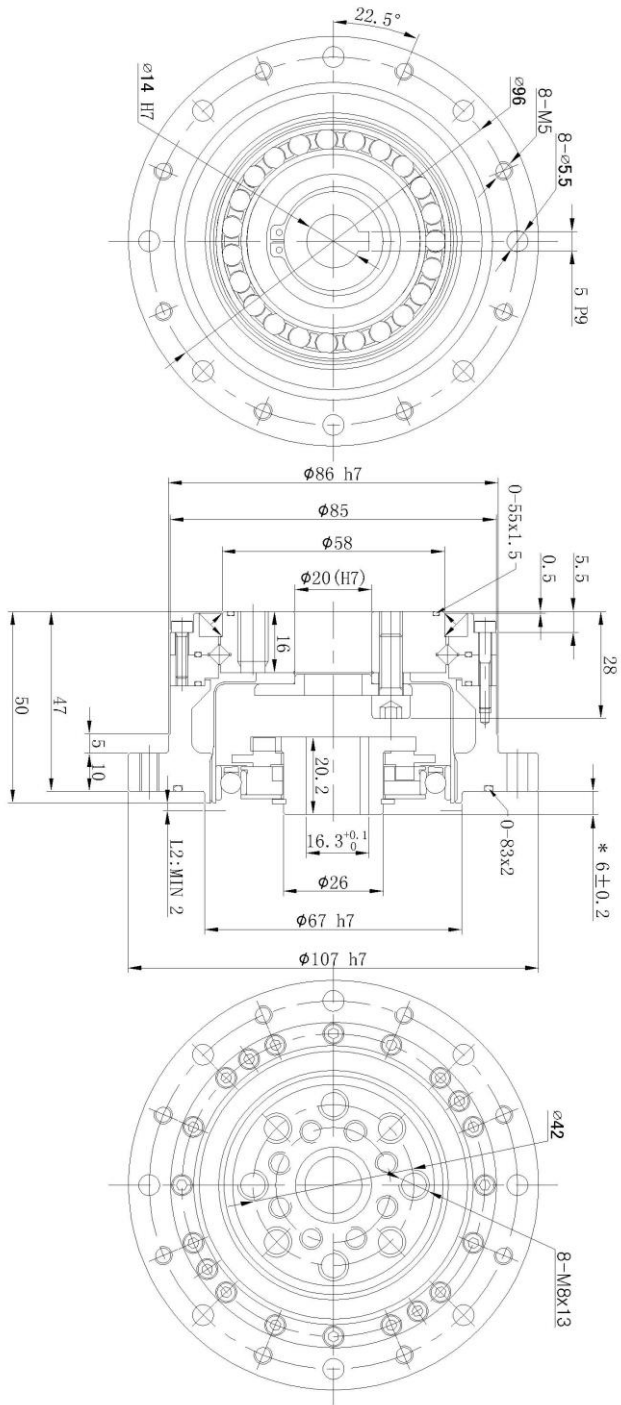


# LCS-II Series Drawings

LCS-20-XXX-C-II

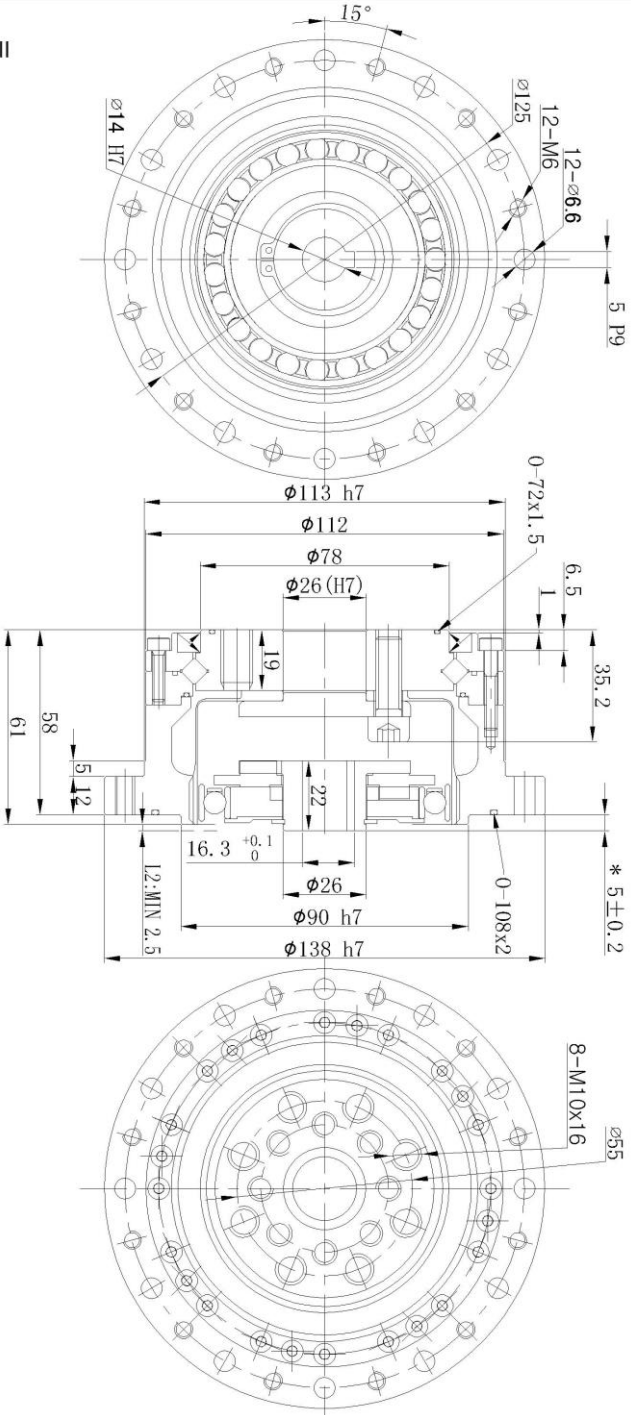


LCS-25-XXX-C-II

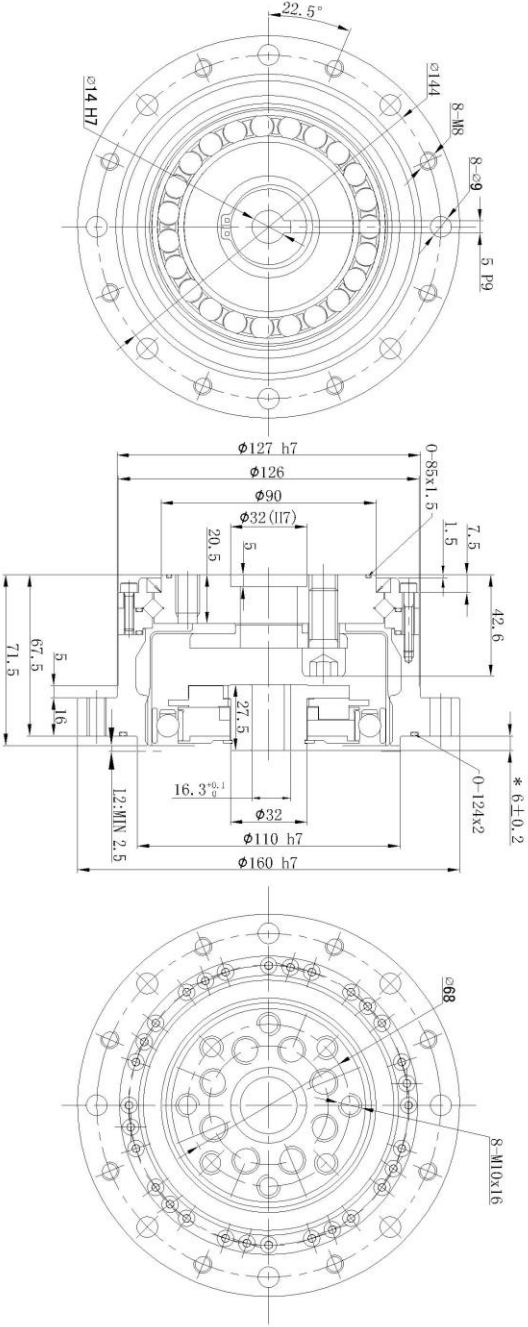


# LCS-II Series Drawings

LCS-32-XXX-C-II



LCS-40-XXX-C-II







Leader Harmonious Drive Systems Co.,Ltd  
TEL :0086- 512-66362298/66560692  
FAX :0086- 512-66362325  
E-mail : sales@leaderdrive.com  
Add : No. 19 Muxu west Road,Mudu,Suzhou,P.R.China  
Postal Code : 215101  
<http://www.leaderdrive.com>

NO. LD2019-1\_Y

Leaderdrive®

leaderdrive®

苏州绿的谐波传动科技股份有限公司

Leader Harmonious Drive Systems Co.,Ltd

LCSG High-Torque Cup-Shaped Flexspline

Strain Wave Gear

Product Introduction Manual



## LCSG-I series



LCSG-I series are high-torque models which have the same structure, with LCS-I series. However, their torque bearing capacity is improved by 30% compared with LCS series.

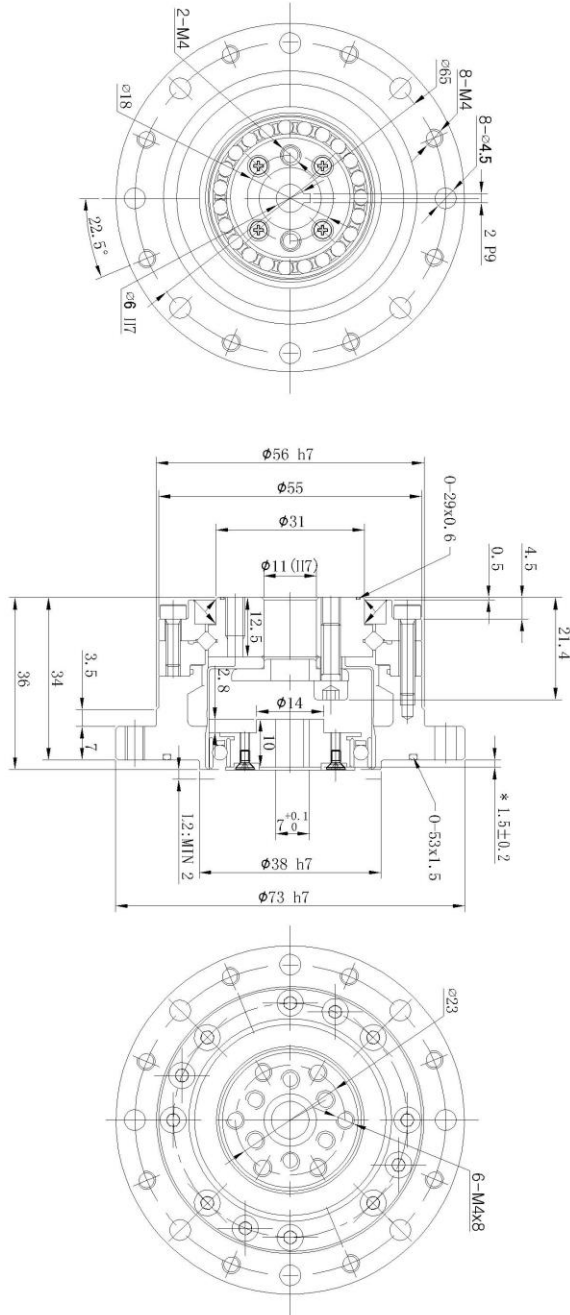
### Parameter Table

Item	Reduction Ratio	Rated Torque at 2000r/min	Allowable Peak Torque at Start and Stop	Allowable Average Torque	Allowable Maximum Momentary Torque	Maximum Input Speed	Allowable Average Input Speed	Backlash	Weight	Design Life
		Nm	Nm	Nm	Nm	r/min	r/min	Arc sec	Kg	Hour
14	50	6.6	23	8.6	43	8000	3500	≤10	0.51	10000
	80	9.6	29	13.5	57			≤10		15000
	100	9.6	34	13.5	66			≤10		15000
17	50	19.8	42	32.5	86	7000	3500	≤10	0.68	10000
	80	27.5	53	33.5	108			≤10		15000
	100	30	66	48.5	134			≤10		15000
	120	30	66	48.5	107			≤10		15000
20	50	32	69	42	121	6000	3500	≤10	0.98	10000
	80	42	91	58	158			≤10		15000
	100	50	102	61	182			≤10		15000
	120	50	108	61	182			≤10		15000
	160	50	113	61	182			≤10		15000
25	50	48	121	68.5	230	5500	3500	≤10	1.47	10000
	80	78	169	107.5	315			≤10		15000
	100	84	194	133	351			≤10		15000
	120	84	207	133	376			≤10		15000
	160	84	217	133	388			≤10		15000
32	50	94	267	133	472	4500	3500	≤10	3.19	10000
	80	146	376	206	702			≤10		15000
	100	169	411	267	800			≤10		15000
	120	169	436	267	848			≤10		15000
	160	169	459	267	848			≤10		15000
40	50	169	497	242	847	4000	3000	≤10	5.0	10000
	80	255	641	351	1210			≤10		15000
	100	328	702	460	1334			≤10		15000
	120	363	762	557	1458			≤10		15000
	160	363	800	557	1458			≤10		15000
50*	80	459	1163	642	2297	3000	2500	≤10	9.0	15000
	100	580	1211	823	2545			≤10		15000
	120	654	1334	1005	2545			≤10		15000
	160	654	1458	1042	3025			≤10		15000
58*	80	678	1828	951	3026	3000	2200	≤10	14.8	15000
	100	860	1964	1309	3927			≤10		15000
	120	921	2124	1470	4113			≤10		15000
	160	921	2272	1494	4236			≤10		15000

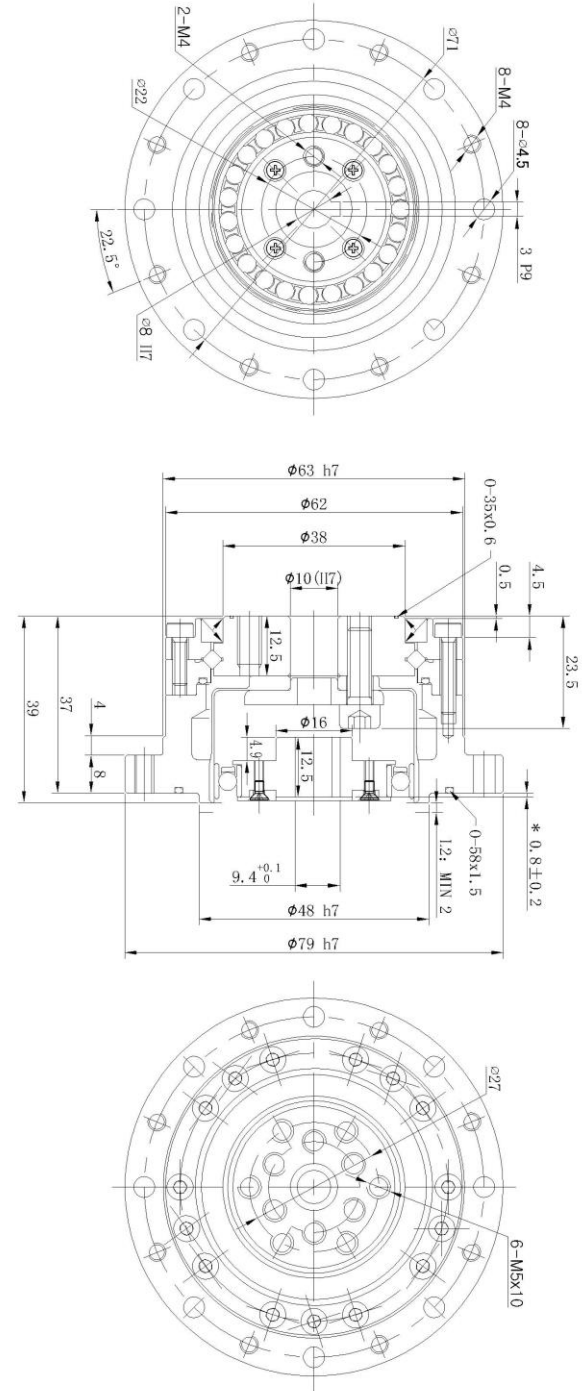
\* Consult factory

# LCSG-I Series Drawings

LCSG-14-XXX-C-I



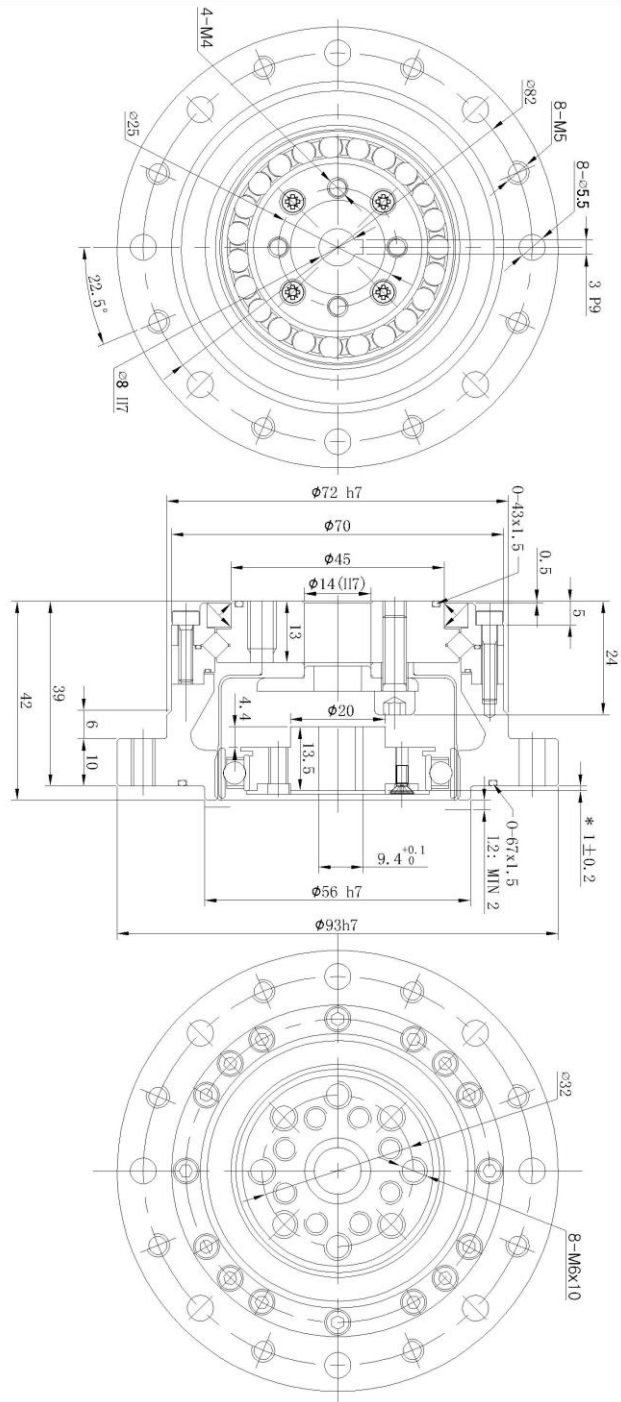
LCSG-17-XXX-C-I



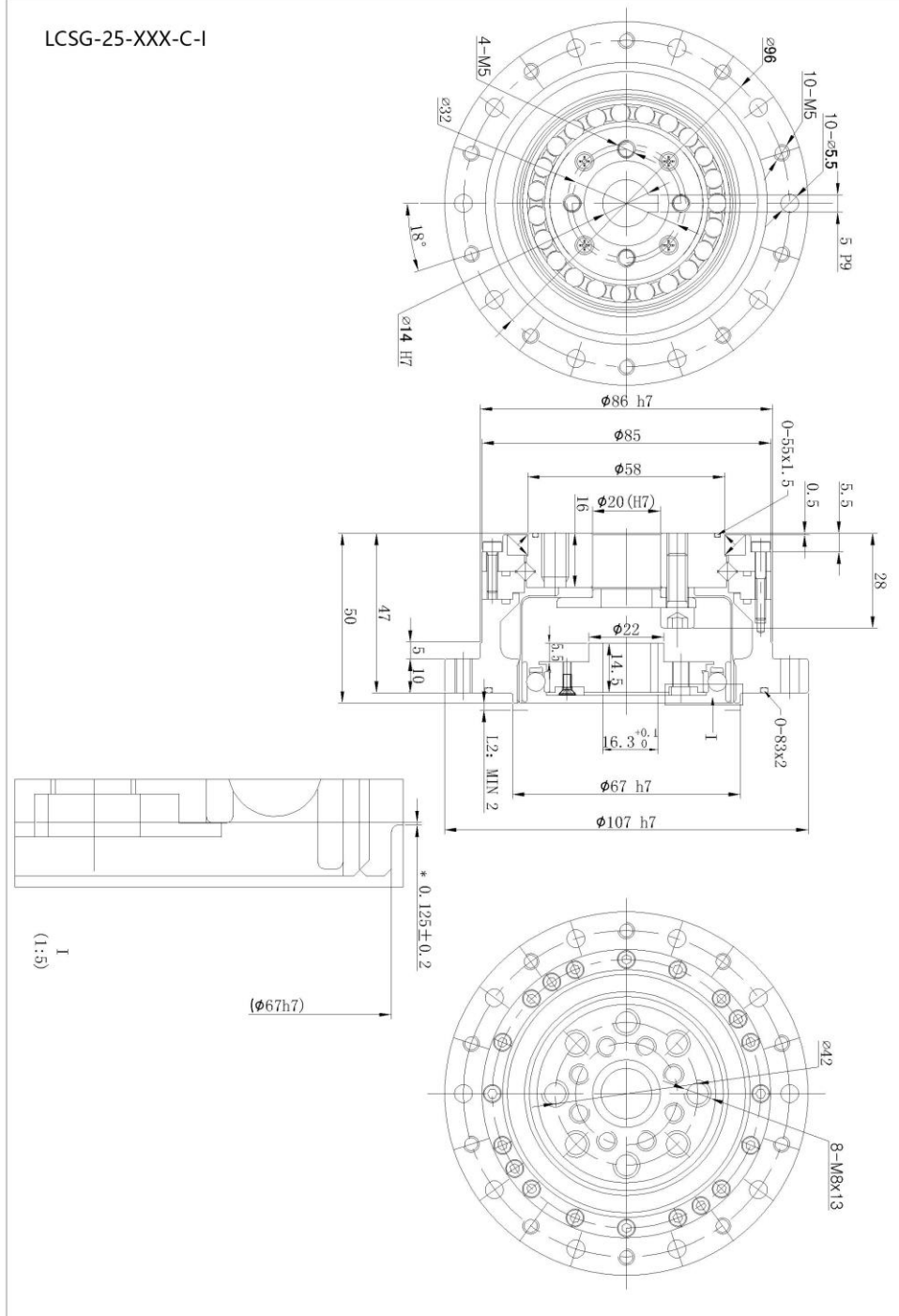


# LCSG-I Series Drawings

LCSG-20-XXX-C-I



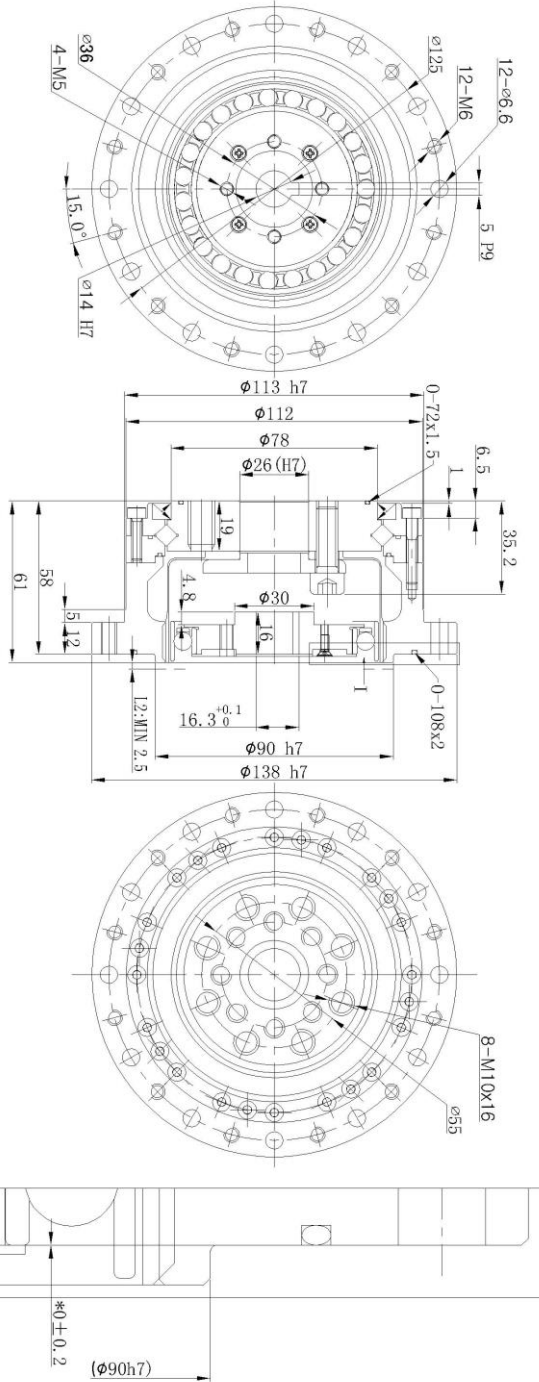
LCSG-25-XXX-C-I



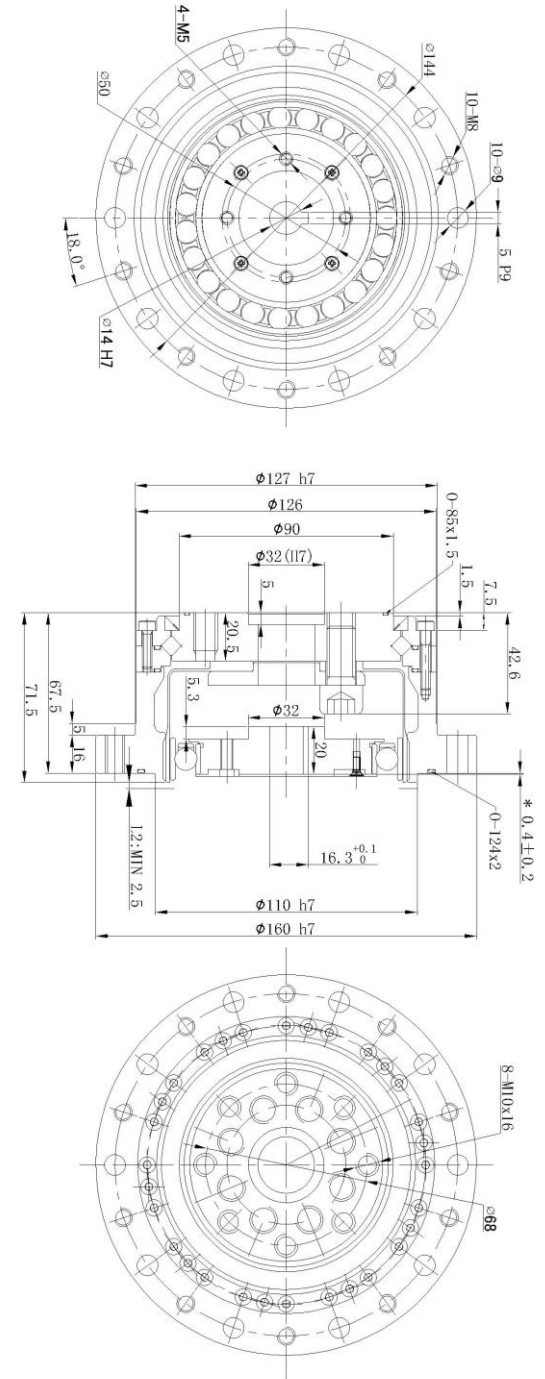


# LCSG-I Series Drawings

LCSG-32-XXX-C-I



LCSG-40-XXX-C-I



## LCSG-II series



LCSG-II series are high-torque models which have the same structure, with LCS-II series. However, their torque bearing capacity is improved by 30% compared with LCS series.

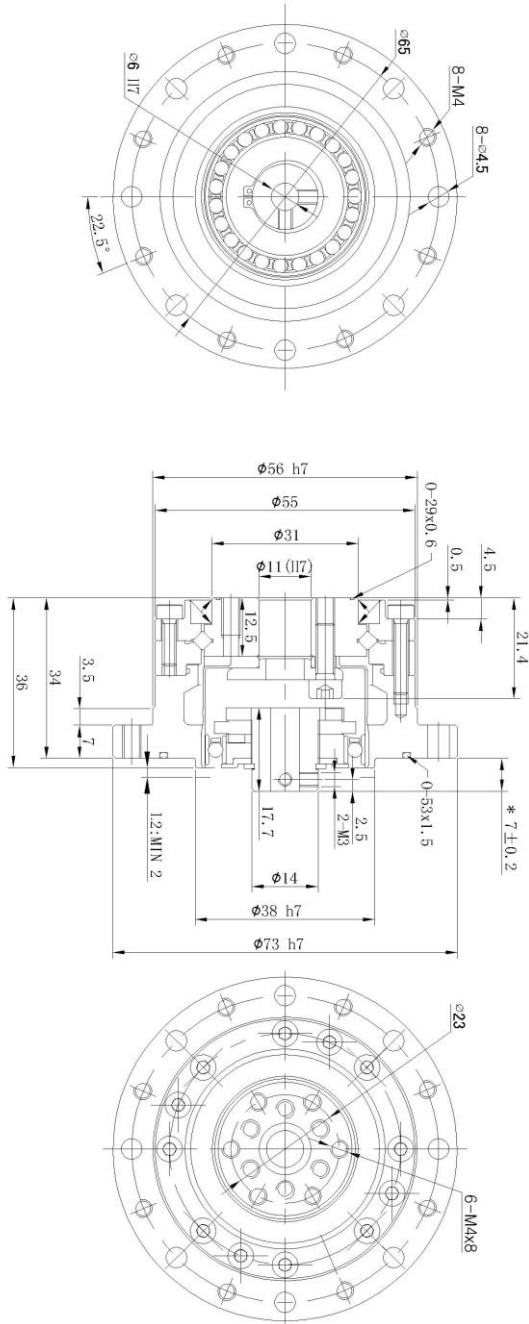
### Parameter Table

Item Model No	Reduction Ratio	Rated Torque at 2000r/min	Allowable Peak Torque at Start and Stop	Allowable Average Torque	Allowable Maximum Momentary Torque	Maximum Input Speed	Allowable Average Input Speed	Back lash	Weight	Design Life
		Nm	Nm	Nm	Nm	r/min	r/min	Arc sec	Kg	Hour
14	50	6.6	23	8.6	43	8000	3500	≤20	0.52	10000
	80	9.6	29	13.5	57			≤20		15000
	100	9.6	34	13.5	66			≤20		15000
17	50	19.8	42	32.5	86	7000	3500	≤20	0.69	10000
	80	27.5	53	33.5	108			≤20		15000
	100	30	66	48.5	134			≤20		15000
20	120	30	66	48.5	107	6000	3500	≤20	0.99	15000
	50	32	69	42	121			≤20		10000
	80	42	91	58	158			≤20		15000
25	100	50	102	61	182	5500	3500	≤20	1.48	15000
	120	50	108	61	182			≤20		15000
	160	50	113	61	182			≤20		15000
32	50	48	121	68.5	230	4500	3500	≤20	3.2	10000
	80	78	169	107.5	315			≤20		15000
	100	84	194	133	351			≤20		15000
40	120	84	207	133	376	4000	3000	≤20	5.0	15000
	160	84	217	133	388			≤20		15000
	50	94	267	133	472			≤20		10000
50*	80	146	376	206	702	3000	2500	≤20	9.0	15000
	100	169	411	267	800			≤20		15000
	120	169	436	267	848			≤20		15000
58*	160	169	459	267	848	3000	2200	≤20	14.8	15000
	50	169	497	242	847			≤10		15000
	80	255	641	351	1210			≤10		15000
50*	100	328	702	460	1334	3000	2500	≤20	9.0	15000
	120	363	762	557	1458			≤20		15000
	160	363	800	557	1458			≤20		15000
58*	80	459	1163	642	2297	3000	2200	≤20	14.8	15000
	100	580	1211	823	2545			≤10		15000
	120	654	1334	1005	2545			≤10		15000
58*	160	654	1458	1042	3025	3000	2200	≤20	14.8	15000
	80	678	1828	951	3026			≤10		15000
	100	860	1964	1309	3927			≤10		15000
58*	120	921	2124	1470	4113	3000	2200	≤10	14.8	15000
	160	921	2272	1494	4236			≤10		15000

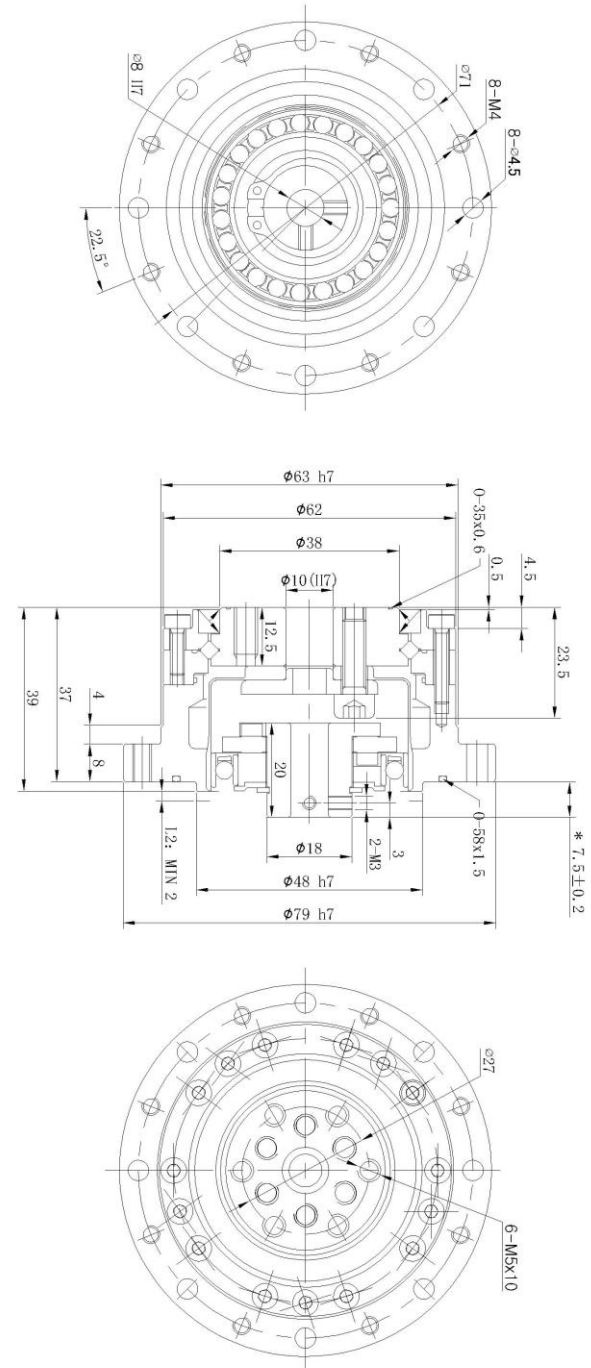
\* Consult factory

# LCSG-II Series Drawings

LCSG-14-XXX-C-II

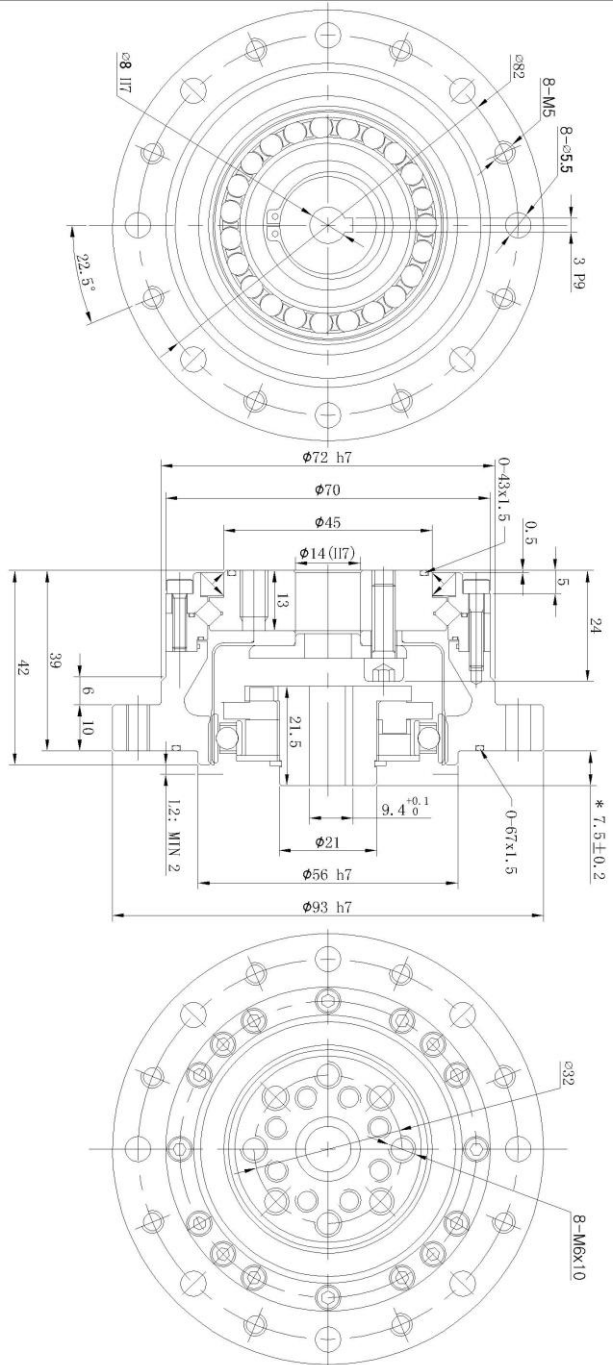


LCSG-17-XXX-C-II

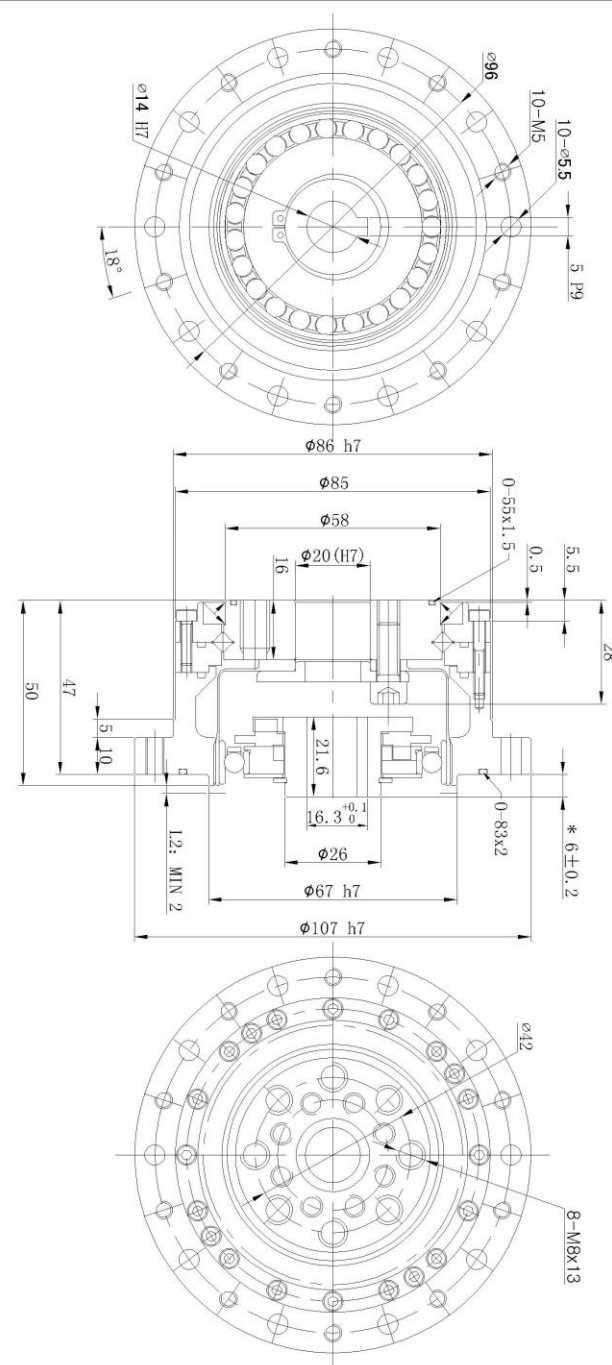


# LCSG-II Series Drawings

LCSG-20-XXX-C-II



LCSG-25-XXX-C-II









Leader Harmonious Drive Systems Co.,Ltd  
TEL :0086- 512-66362298/66560692  
FAX :0086- 512-66362325  
E-mail : sales@leaderdrive.com  
Add : No. 19 Muxu west Road,Mudu,Suzhou,P.R.China  
Postal Code : 215101  
<http://www.leaderdrive.com>

NO. LD2019-1-Y

Leaderdrive®

leaderdrive®

苏州绿的谐波传动科技股份有限公司

Leader Harmonious Drive Systems Co.,Ltd

LHD Ultra-Flat Hollow-Shaft Flexspline Strain Wave Gear

Product Introduction Manual



## LHD-I series



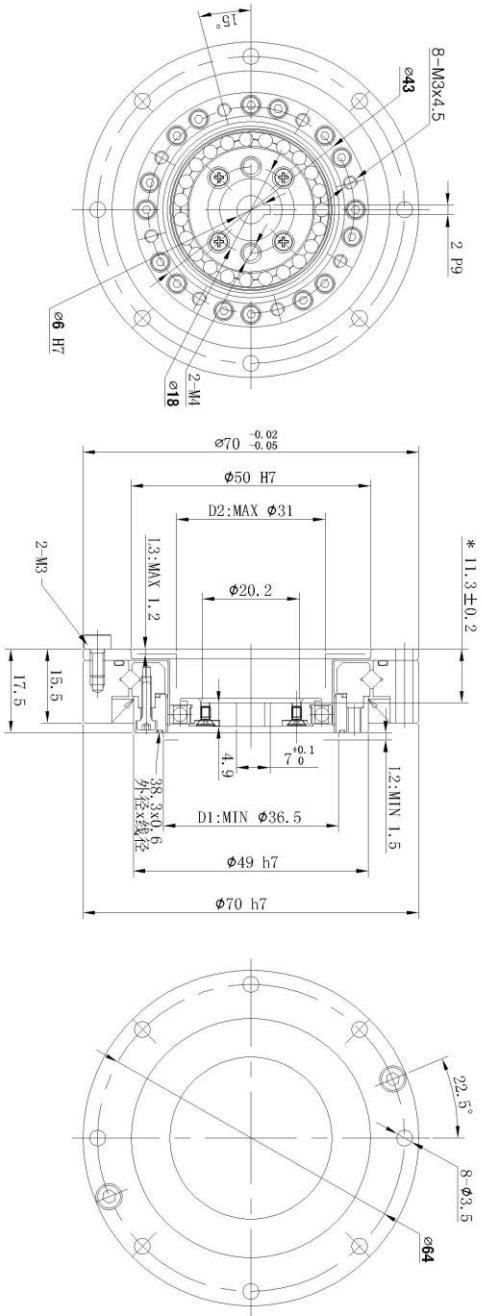
With a flexible gear in ultra-thin hollow and flange structure, the LHD series are designed as flat as possible, and are therefore very suitable for the occasions where harsh thickness requirements for reducers are posed.

## Parameter Table

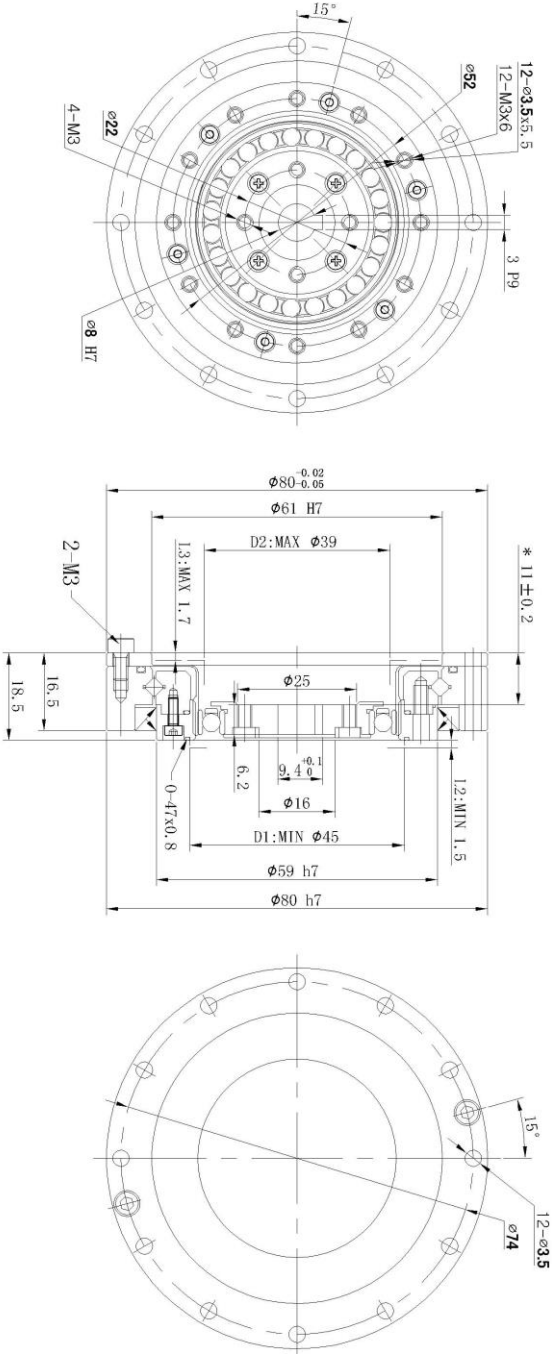
Item Model No	Reduction Ratio	Rated Torque at 2000r/min	Allowable Peak Torque at Start and Stop	Allowable Average Torque	Allowable Maximum Momentary Torque	Maximum Input Speed	Allowable Average Input Speed	Back lash	Weight	Design Life
		Nm	Nm	Nm	Nm	r/min	r/min	Arc sec	Kg	Hour
14	50	3.5	11.4	4.6	23	8000	3500	≤20	0.35	9000
	80	5.1	15	6.2	29			≤20		10000
	100	5.1	18	7.3	33			≤20		10000
17	50	10.4	22	17	46	7000	3500	≤20	0.45	9000
	80	14	29	21	54			≤20		10000
	100	15.2	35	26	67			≤20		10000
20	50	16.1	37	23	66	6000	3500	≤20	0.55	9000
	80	23	49	28	78			≤20		10000
	100	27	54	32	90			≤20		10000
25	50	26	66	36	121	5500	3500	≤20	0.95	9000
	80	42	91	62	157			≤20		10000
	100	45	105	71	175			≤20		10000
	120	45	111	71	187			≤20		10000
32	50	50	143	71	255	4500	3500	≤20	1.92	9000
	80	79	202	126	350			≤20		10000
	100	91	221	144	399			≤20		10000
	120	91	235	144	423			≤20		10000
40	50	91	267	130	456	4000	3000	≤20	3.15	9000
	100	176	378	247	665			≤20		10000
	160	196	430	300	727			≤20		10000

# LHD-I Series Drawings

LHD-14-XXX-C-I



LHD-17-XXX-C-I

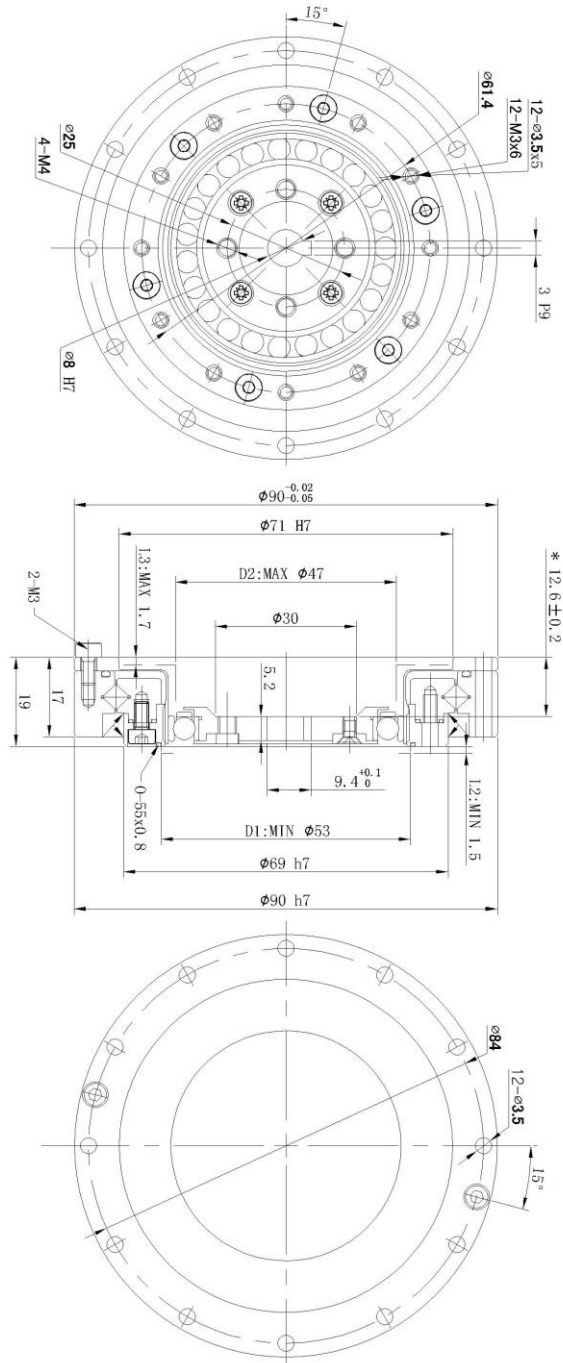




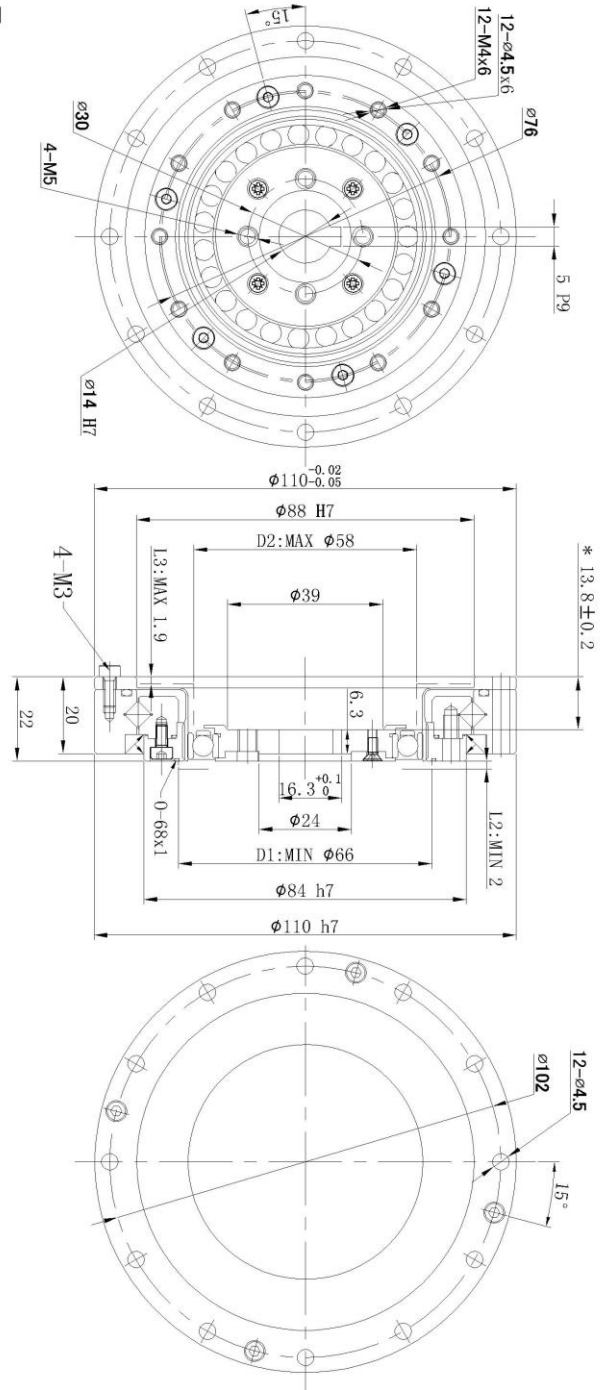
# LHD-I Series Drawings

*Leobersdorf*

LHD-20-XXX-C-I

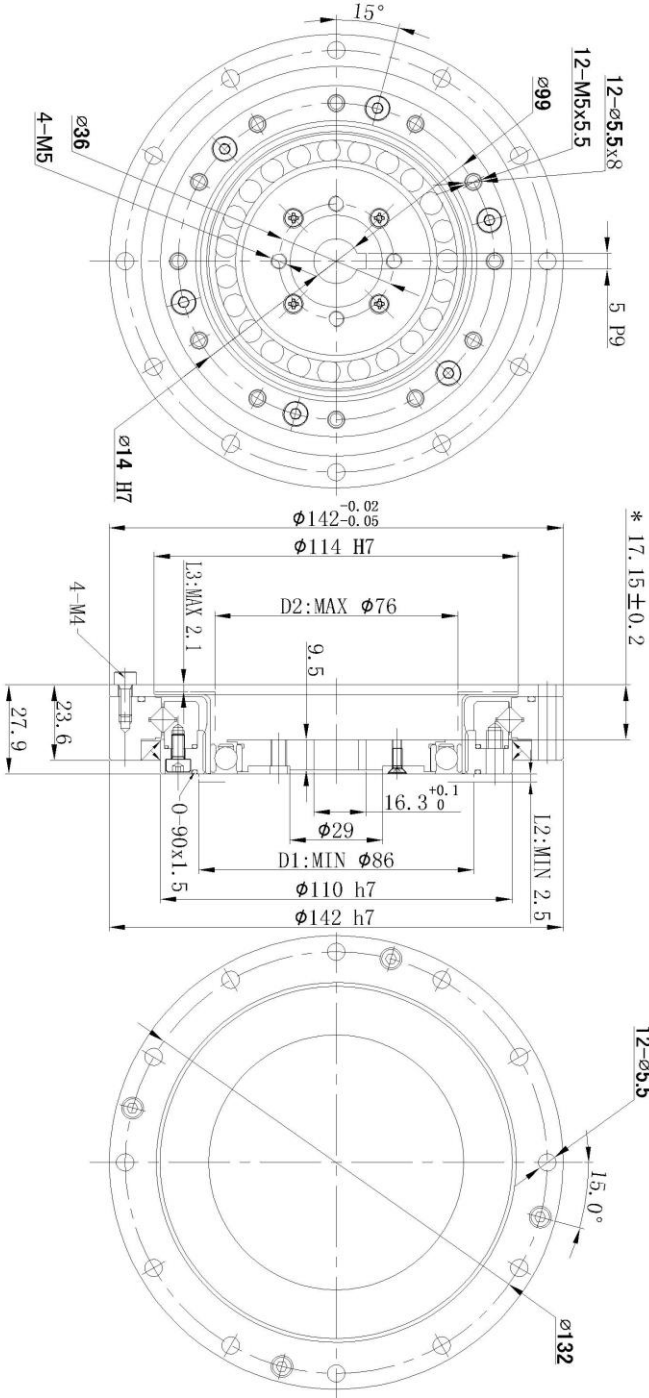


LHD-25-XXX-C-I

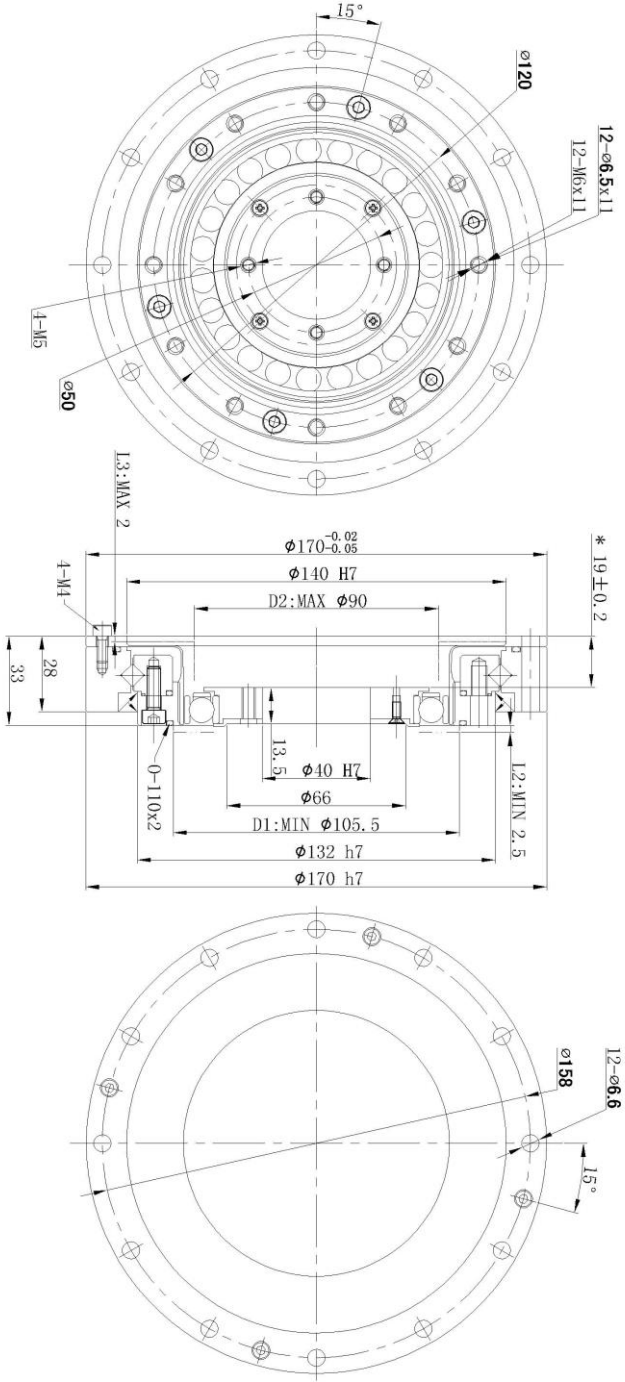


# LHD-I Series Drawings

LHD-32-XXX-C-I



LHD-40-XXX-C-I



## LHD-III series



For LHD-III series, there is a large-aperture hollow shaft hole in the middle of the cam of their wave generator with a flexible gear in ultra-thin hollow and flange structure, the LHD series are designed as possible, and are therefore very suitable for the occasions where harsh thick ness requirements for reducers are posed.

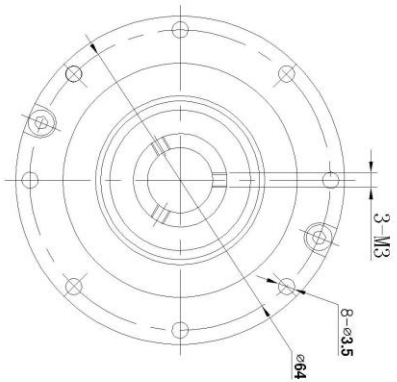
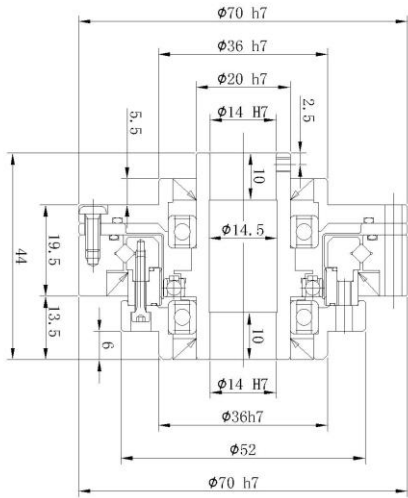
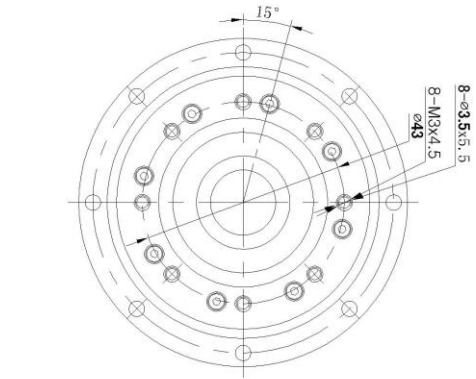
## Parameter Table

Item Model No	Reduction Ratio	Rated Torque at 2000r/min	Allowable Peak Torque at Start and Stop	Allowable Average Torque	Allowable Maximum Momentary Torque	Maximum Input Speed	Allowable Average Input Speed	Back lash	Weight	Design Life
		Nm	Nm	Nm	Nm	r/min	r/min	Arc sec	Kg	Hour
14	50	3.5	11.4	4.6	23	8000	3500	≤20	0.35	9000
	80	5.1	15	6.2	29			≤20		10000
	100	5.1	18	7.3	33			≤20		10000
17	50	10.4	22	17	46	7000	3500	≤20	0.45	9000
	80	14	29	21	54			≤20		10000
	100	15.2	35	26	67			≤20		10000
20	50	16.1	37	23	66	6000	3500	≤20	0.55	9000
	80	23	49	28	78			≤20		10000
	100	27	54	32	90			≤20		10000
25	50	26	66	36	121	5500	3500	≤20	0.95	9000
	80	42	91	62	157			≤20		10000
	100	45	105	71	175			≤20		10000
	120	45	111	71	187			≤20		10000
32	50	50	143	71	256	4500	3500	≤20	1.92	9000
	80	79	202	126	350			≤20		10000
	100	91	221	144	399			≤20		10000
	120	91	235	144	423			≤20		10000
40*	50	91	267	130	456	4000	3000	≤20	3.15	9000
	100	176	378	247	665			≤20		10000
	160	196	430	300	727			≤20		10000

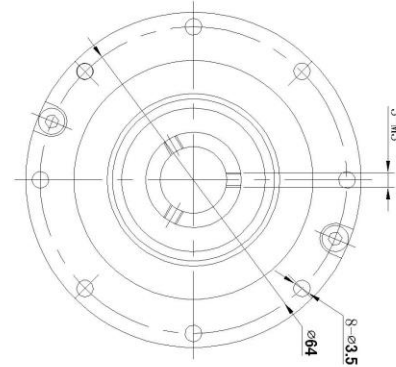
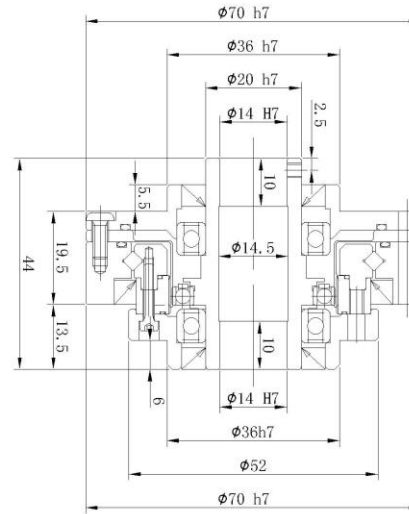
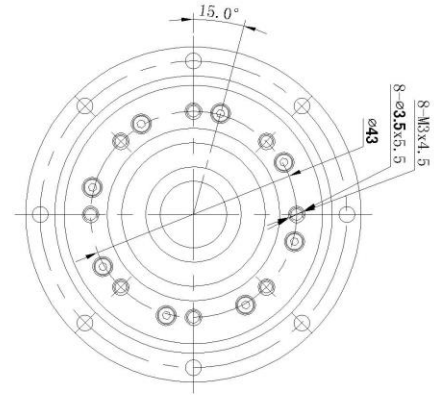
\* Consult factory

# LHD-III Series Drawings

LHD-14-XXX-C-III



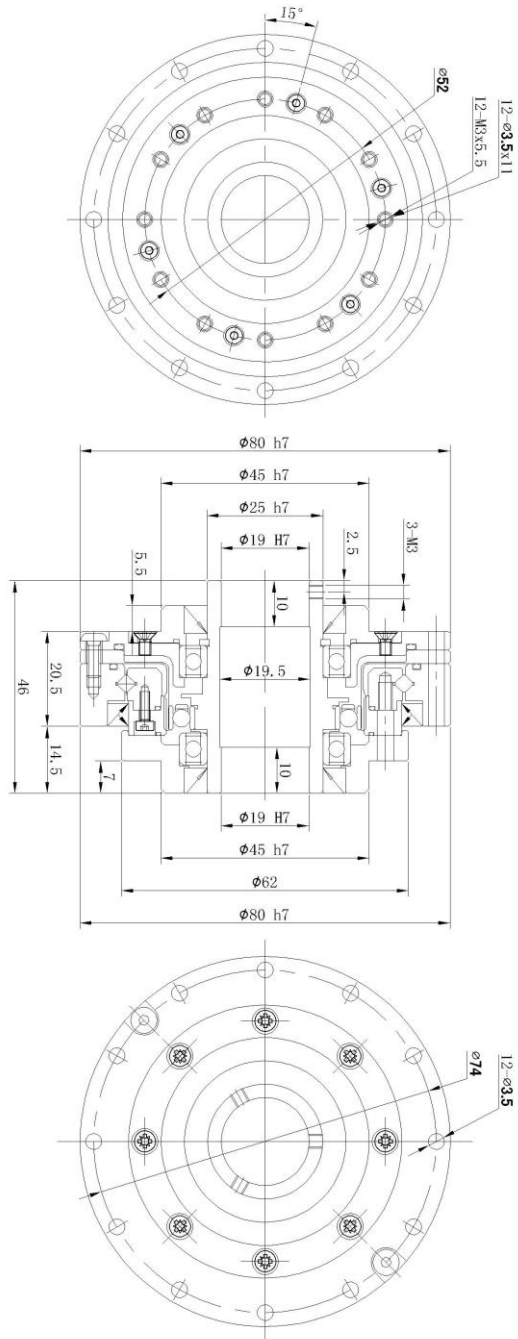
LHD-14-XXX-CL-III



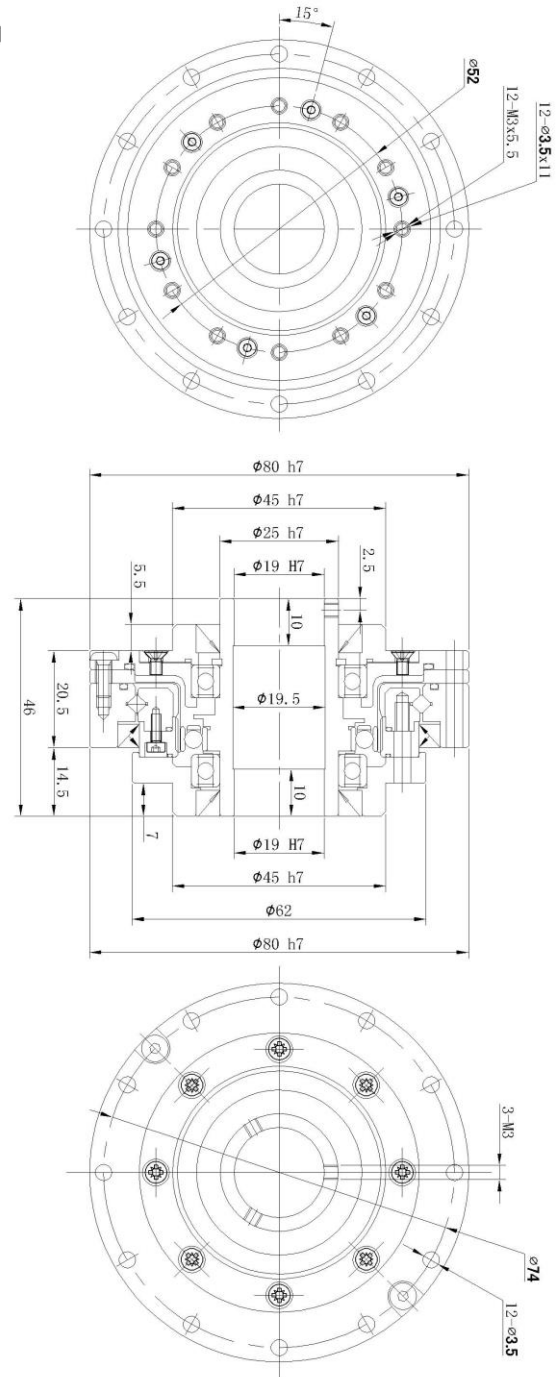


# LHD-III Series Drawings

LHD-17-XXX-C-III

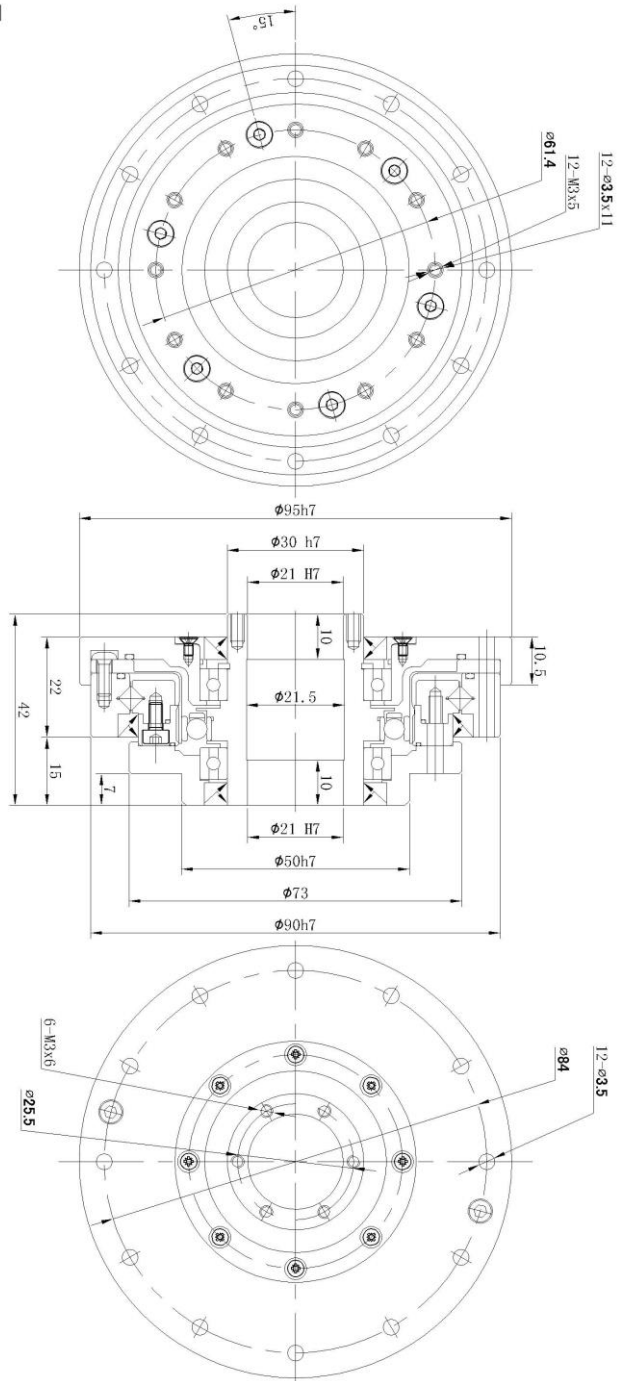


LHD-17-XXX-CL-III

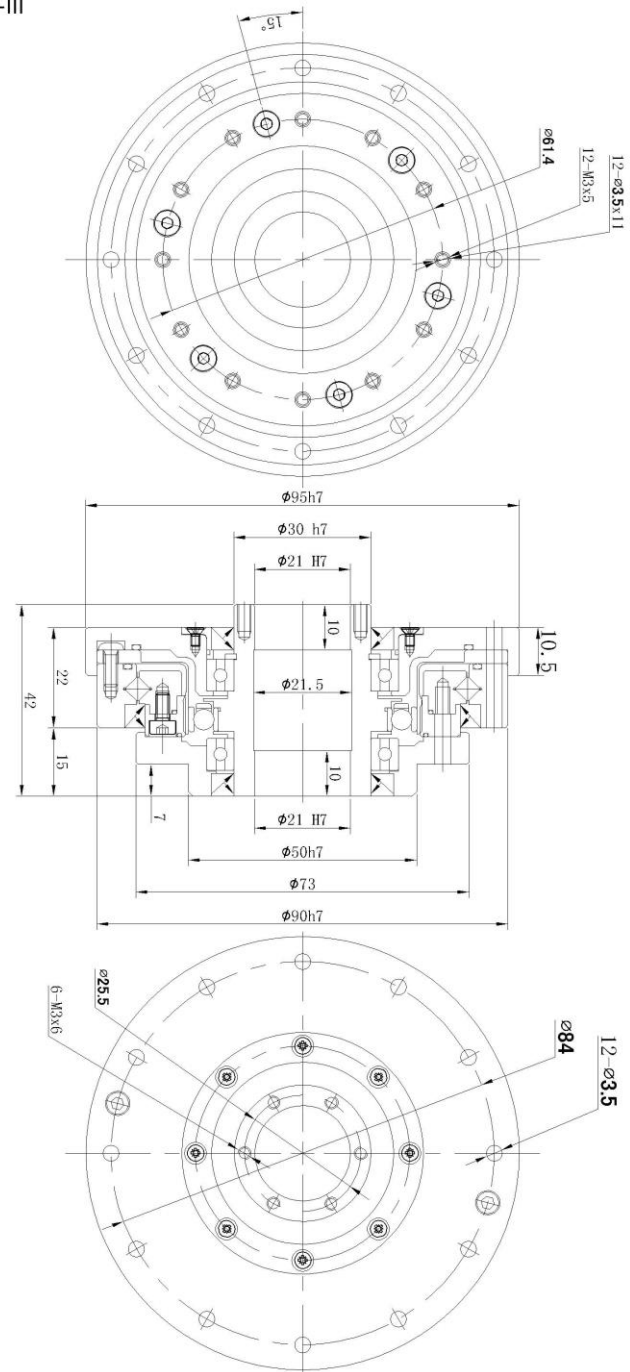


# LHD-III Series Drawings

LHD-20-XXX-C-III

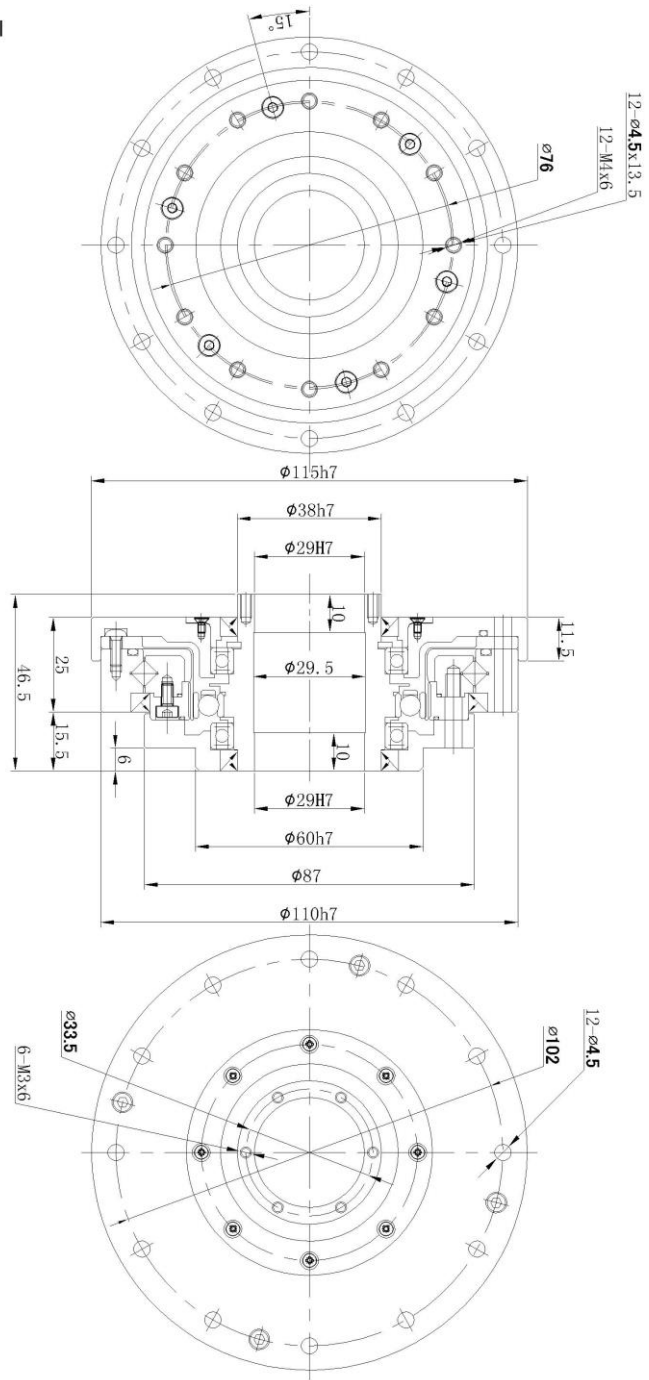


LHD-20-XXX-CL-III

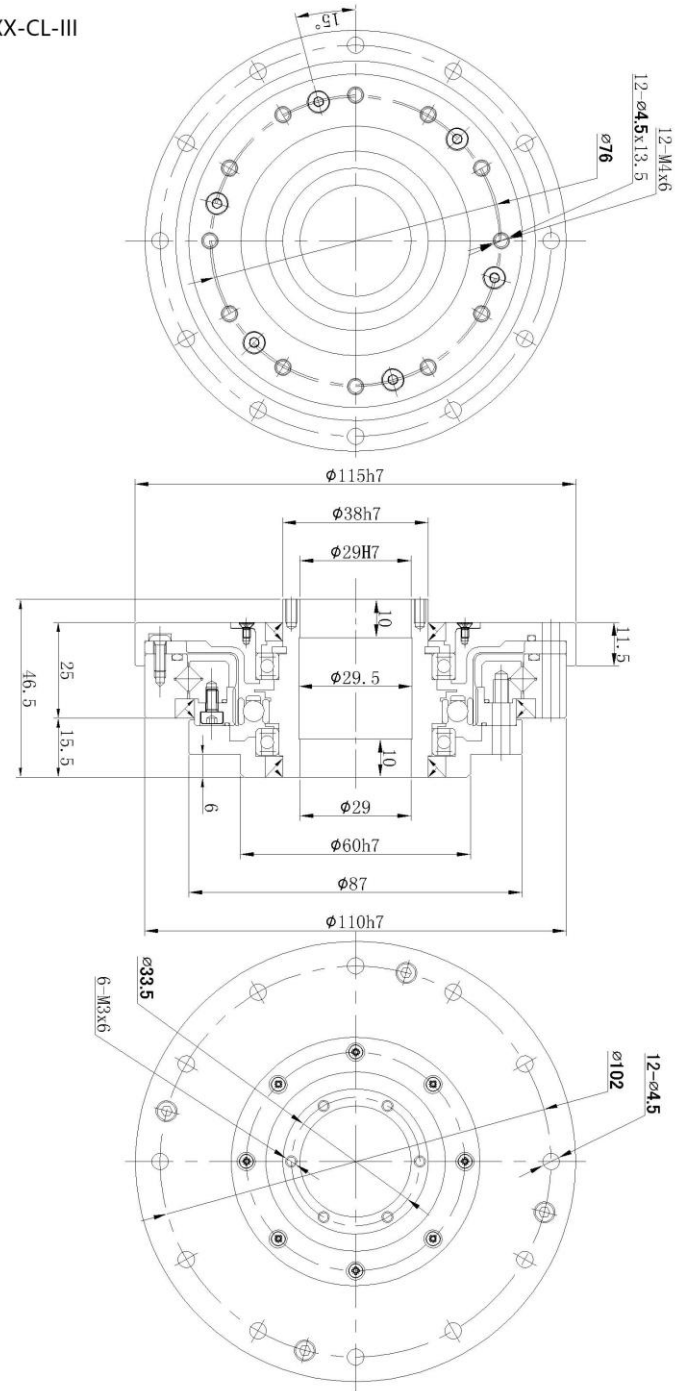


# LHD-III Series Drawings

LHD-25-XXX-C-III

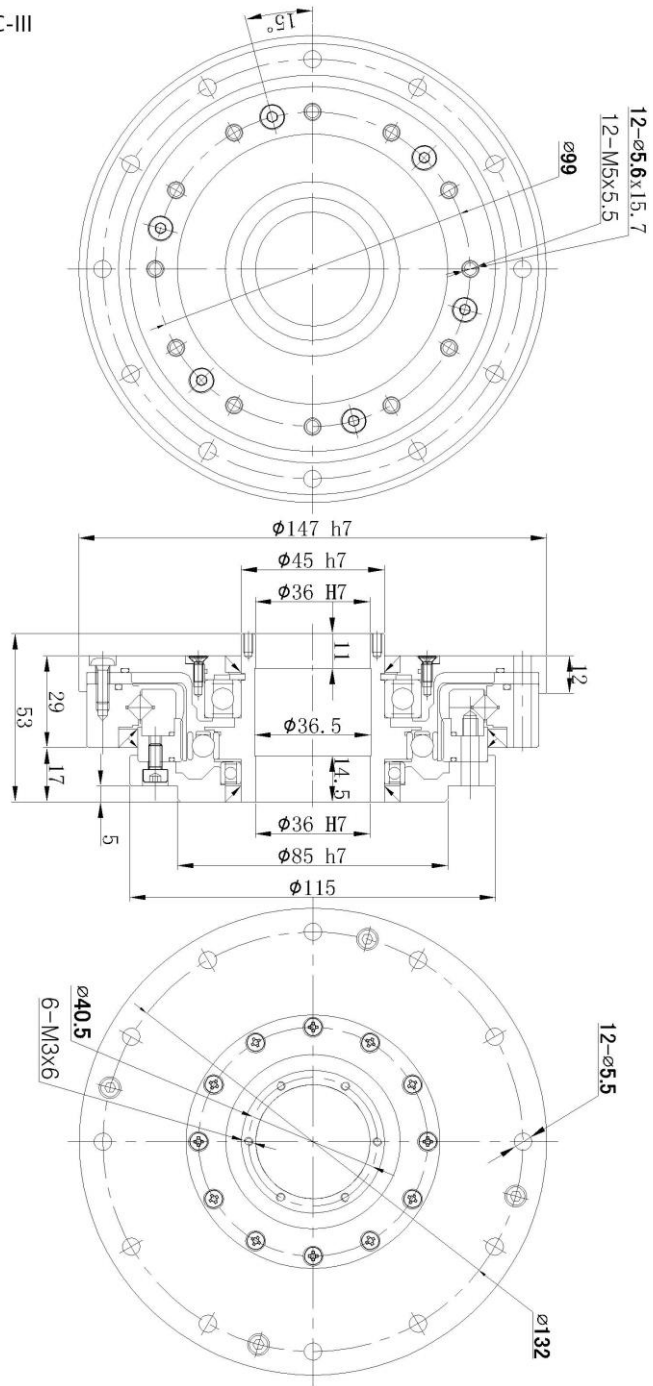


LHD-25-XXX-CL-III

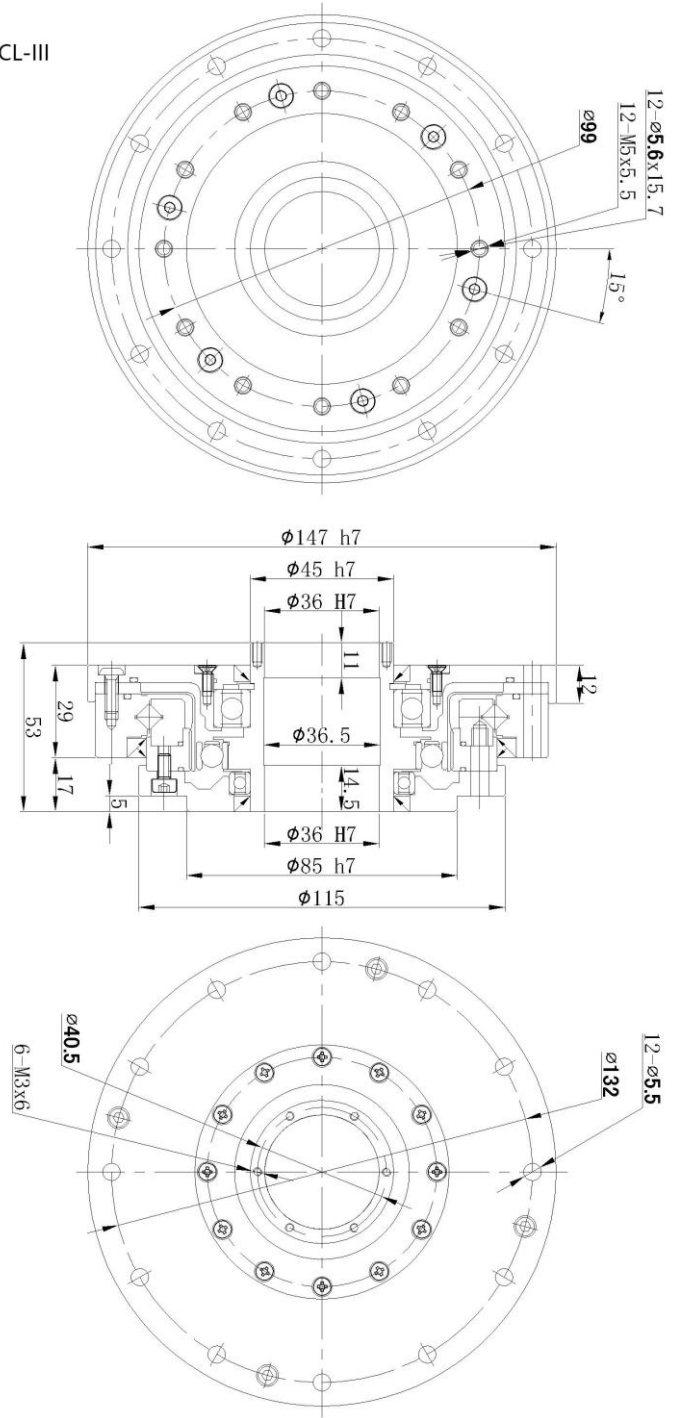


# LHD-III Series Drawings

LHD-32-XXX-C-III



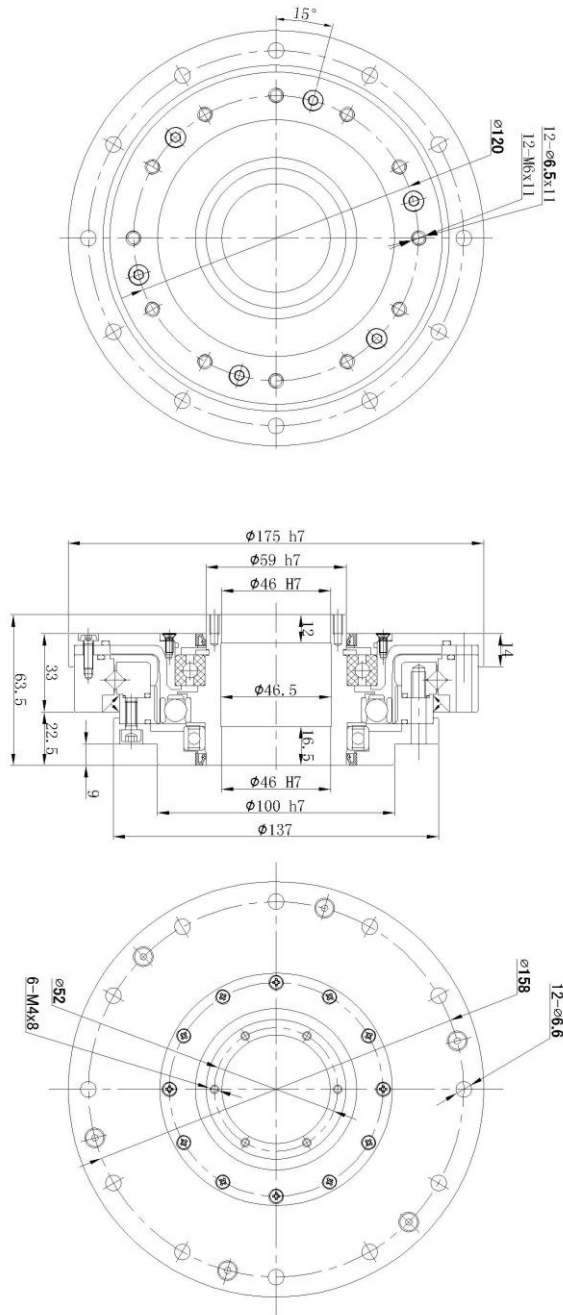
LHD-32-XXX-CL-III



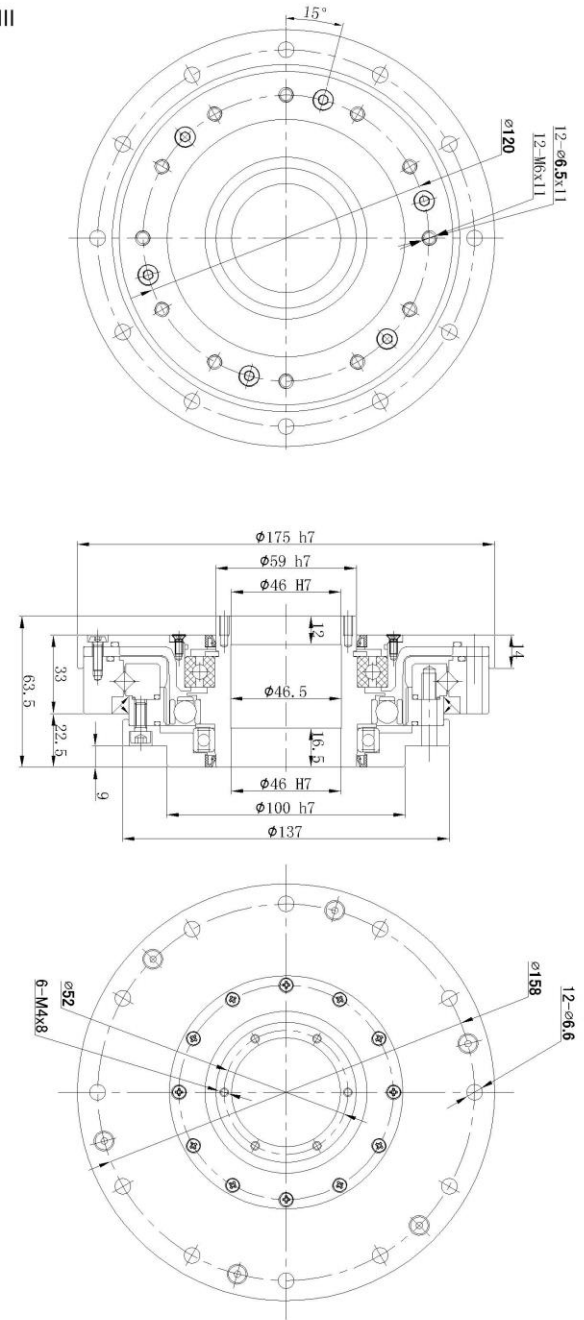


# LHD-III Series Drawings

LHD-40-XXX-C-III



LHD-40-XXX-CL-III





Leader Harmonious Drive Systems Co.,Ltd  
TEL :0086- 512-66362298/66560692  
FAX :0086- 512-66362325  
E-mail : sales@leaderdrive.com  
Add : No. 19 Muxu west Road, Mudu, Suzhou, P.R. China  
Postal Code : 215101  
<http://www.leaderdrive.com>

NO. LD2019-1 Y

LEADERDRIVE®

leaderdrive®

苏州绿的谐波传动科技股份有限公司

Leader Harmonious Drive Systems Co.,Ltd

LHS Standard Hollow-Shaft Flexspline Strain Wave Gear

Product Introduction Manual



## LHS-I series



LHS-I series, which have a standard hollow and flange-shaped tube structure, are tight in structure. Their input shaft matches with the inner hole of wave transformer directly and are connected by flat key. Alternatively, they can be used with the rigid gear end fixed and the flexible gear end outputting, or with the flexible gear end fixed and the rigid gear end outputting.

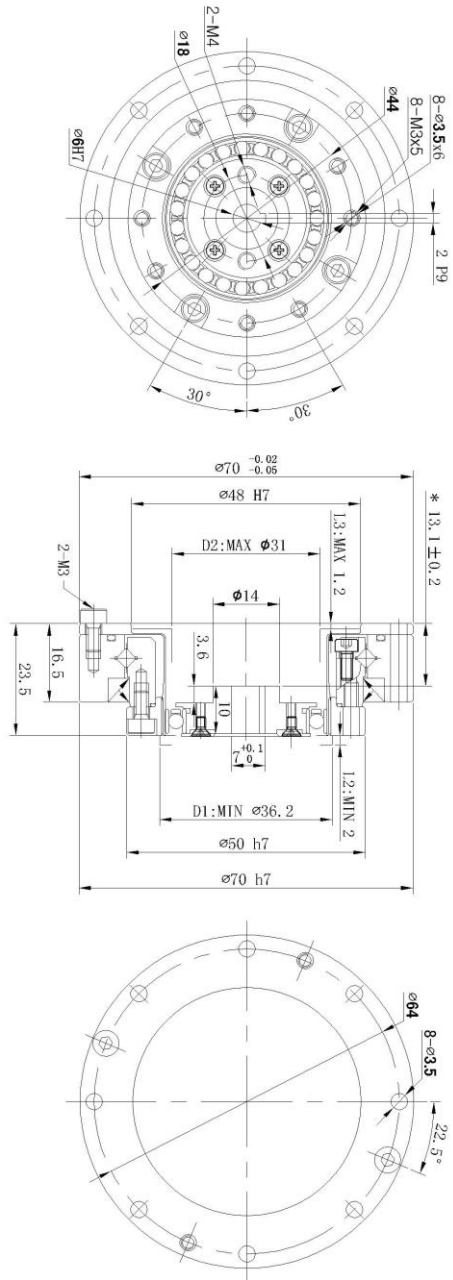
### Parameter Table

Item Model No	Reduction Ratio	Rated Torque at 2000r/min	Allowable Peak Torque at Start and Stop	Allowable Average Torque	Allowable Maximum Momentary Torque	Maximum Input Speed	Allowable Average Input Speed	Back lash	Weight	Design Life	
		Nm	Nm	Nm	Nm	r/min	r/min	Arc sec	Kg	Hour	
14	30	3.8	8.6	7.8	16	8000	3500	≦20	0.38	10000	
	50	5.1	17	6.6	33			≦20		10000	
	80	7.4	22	10.5	45			≦10		15000	
	100	7.4	27	10.5	51			≦10		15000	
17	30	8.4	15.2	11.5	29	7000	3500	≦20	0.56	10000	
	50	15.2	32	25	66			≦20		10000	
	80	21	41	26	83			≦10		15000	
	100	23	51	37	104			≦10		15000	
	120	23	51	37	82			≦10		15000	
20	30	14	26	19	48	6000	3500	≦20	0.76	10000	
	50	24	53	32	93			≦20		10000	
	80	32	70	45	121			≦10		15000	
	100	38	78	47	140			≦10		15000	
	120	38	83	47	140			≦10		15000	
	160	38	87	47	140			≦10		15000	
25	30	26	48	36	90	5500	3500	≦20	1.24	10000	
	50	37	93	52	177			≦20		10000	
	80	60	130	83	242			≦10		15000	
	100	64	149	103	270			≦10		15000	
	120	64	159	103	289			≦10		15000	
32	160	64	167	103	298	≦10	15000	2.6	15000		
	30	51	95	71	190	4500	3500			≦20	10000
	50	72	205	103	363					≦20	10000
	80	112	289	159	540					≦10	15000
	100	130	316	205	615					≦10	15000
	120	130	335	205	652					≦10	15000
160	130	353	205	652	≦10			15000			
40	50	130	382	186	652	4000	3000	≦20	5.0	10000	
	80	196	493	270	931			≦10		15000	
	100	252	540	353	1026			≦10		15000	
	120	279	586	428	1121			≦10		15000	
	160	279	615	428	1121			≦10		15000	
50*	50	233	679	333	1358	3000	2500	≦20	9.5	10000	
	80	353	894	493	1767			≦10		15000	
	100	446	931	633	1957			≦10		15000	
	120	502	1026	772	1957			≦10		15000	
	160	502	1121	801	2328			≦10		15000	
58*	80	522	1406	732	2328	3000	2200	≦10	13.6	15000	
	100	661	1511	1007	3021			≦10		15000	
	120	708	1634	1131	3164			≦10		15000	
	160	708	1748	1150	3259			≦10		15000	

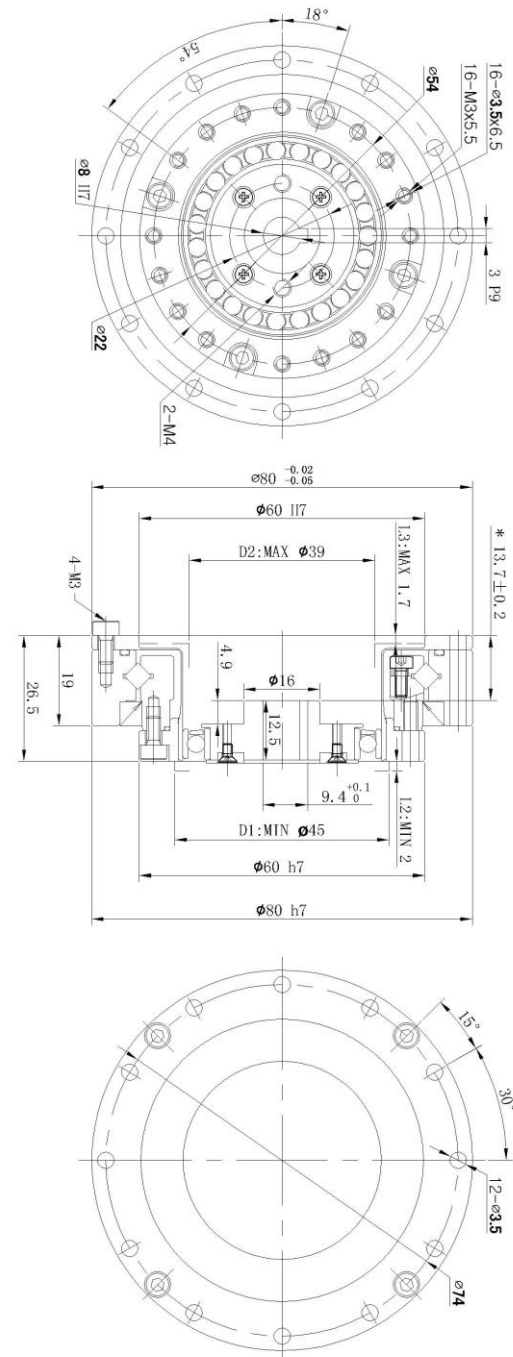
\* Consult factory

# LHS-I Series Drawings

LHS-14-XXX-C-I



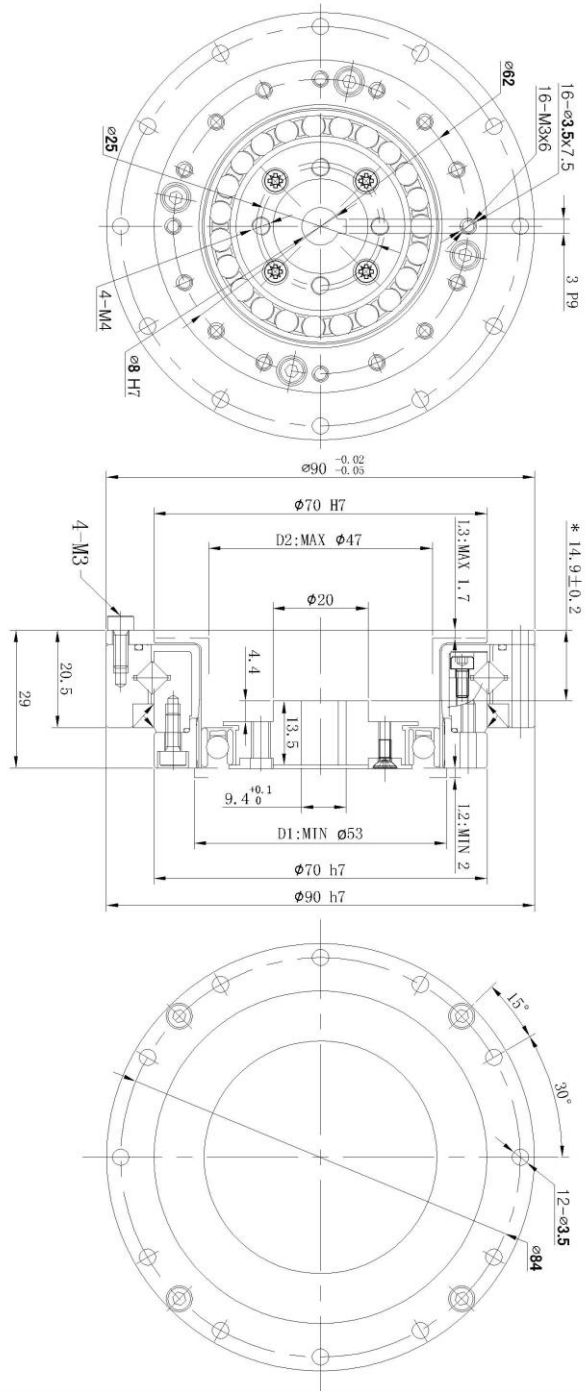
LHS-17-XXX-C-I



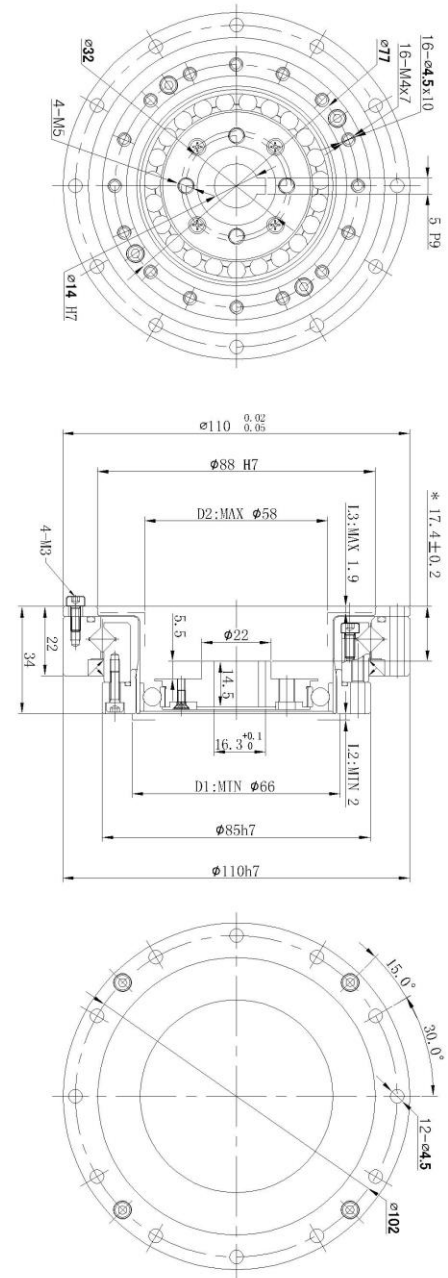


# LHS-I Series Drawings

LHS-20-XXX-C-I

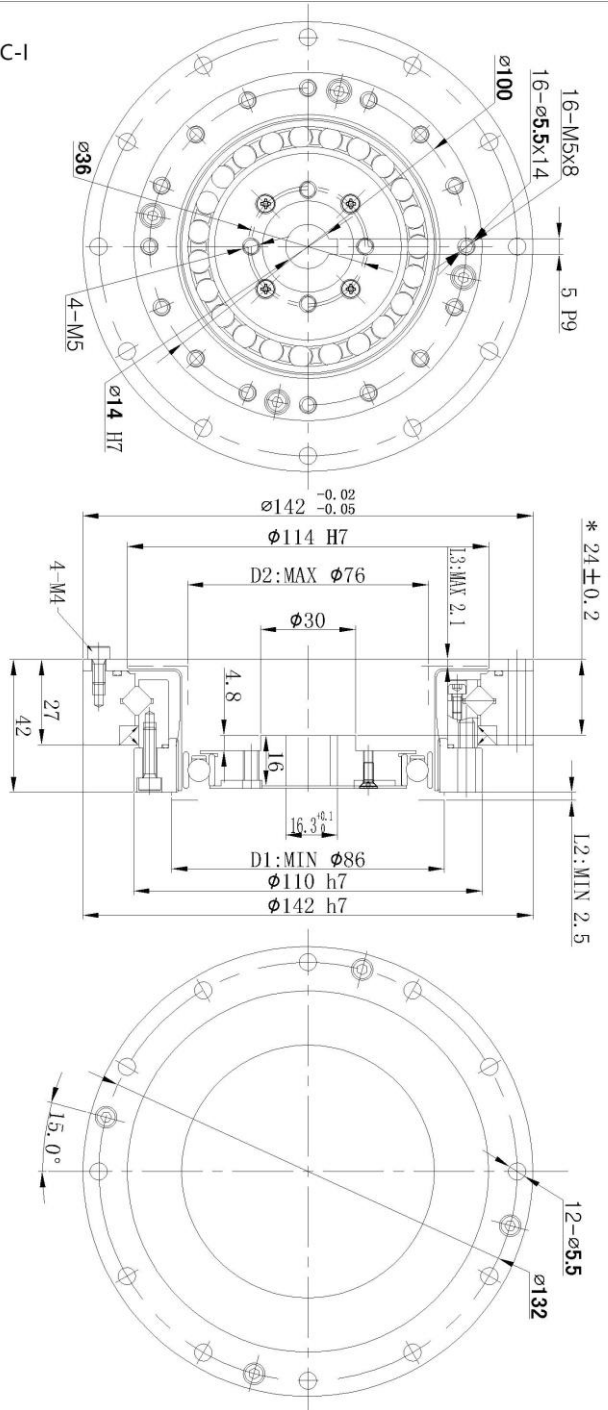


LHS-25-XXX-C-I

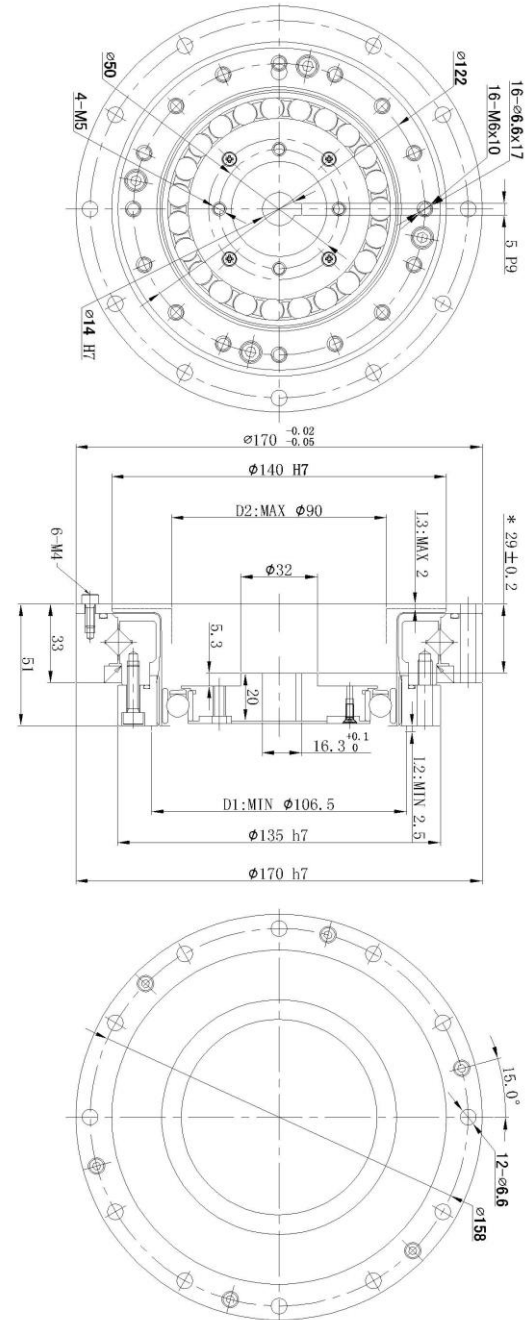


# LHS-I Series Drawings

LHS-32-XXX-C-I



LHS-40-XXX-C-I



## LHS-II series



For LHS-II, their input shaft is connected with the inner hole of wave transformer through a double slider coupling.

### Parameter Table

Item Model No	Reduction Ratio	Rated Torque at 2000r/min	Allowable Peak Torque at Start and Stop	Allowable Average Torque	Allowable Maximum Momentary Torque	Maximum Input Speed	Allowable Average Input Speed	Back lash	Weight	Design Life
		Nm	Nm	Nm	Nm	r/min	r/min	Arc sec	Kg	Hour
14	30	3.8	8.6	7.8	16	8000	3500	≤20	0.38	10000
	50	5.1	17	6.6	33			≤20		10000
	80	7.4	22	10.5	45			≤20		15000
	100	7.4	27	10.5	51			≤20		15000
17	30	8.4	15.2	11.5	29	7000	3500	≤20	0.56	10000
	50	15.2	32	25	66			≤20		10000
	80	21	41	26	83			≤20		15000
	100	23	51	37	104			≤20		15000
	120	23	51	37	82			≤20		15000
20	30	14	26	19	48	6000	3500	≤20	0.76	10000
	50	24	53	32	93			≤20		10000
	80	32	70	45	121			≤20		15000
	100	38	78	47	140			≤20		15000
	120	38	83	47	140			≤20		15000
	160	38	87	47	140			≤20		15000
25	30	26	48	36	90	5500	3500	≤20	1.24	10000
	50	37	93	52	177			≤20		10000
	80	60	130	83	242			≤20		15000
	100	64	149	103	270			≤20		15000
	120	64	159	103	289			≤20		15000
32	30	51	95	71	190	4500	3500	≤20	2.6	10000
	50	72	205	103	363			≤20		10000
	80	112	289	159	540			≤20		15000
	100	130	316	205	615			≤20		15000
	120	130	335	205	652			≤20		15000
	160	130	353	205	652			≤20		15000
40	50	130	382	186	652	4000	3000	≤20	5.0	10000
	80	196	493	270	931			≤20		15000
	100	252	540	353	1026			≤20		15000
	120	279	586	428	1121			≤20		15000
	160	279	615	428	1121			≤20		15000
50*	50	233	679	333	1358	3000	2500	≤20	9.5	10000
	80	353	894	493	1767			≤20		15000
	100	446	931	633	1957			≤20		15000
	120	502	1026	772	1957			≤20		15000
	160	502	1121	801	2328			≤20		15000
58*	80	522	1406	732	2328	3000	2200	≤10	13.6	15000
	100	661	1511	1007	3021			≤10		15000
	120	708	1634	1131	3164			≤10		15000
	160	708	1748	1150	3259			≤10		15000









## LHS-III series



For LHS-III series, there is a large-aperture hollow shaft hole in the middle of the cam of their wave generator, and a supporting bearing designed inside reducer. Characterized by full-sealing structure and easy installation, the series are very suitable for the occasions where threading needs running through the center of reducer.

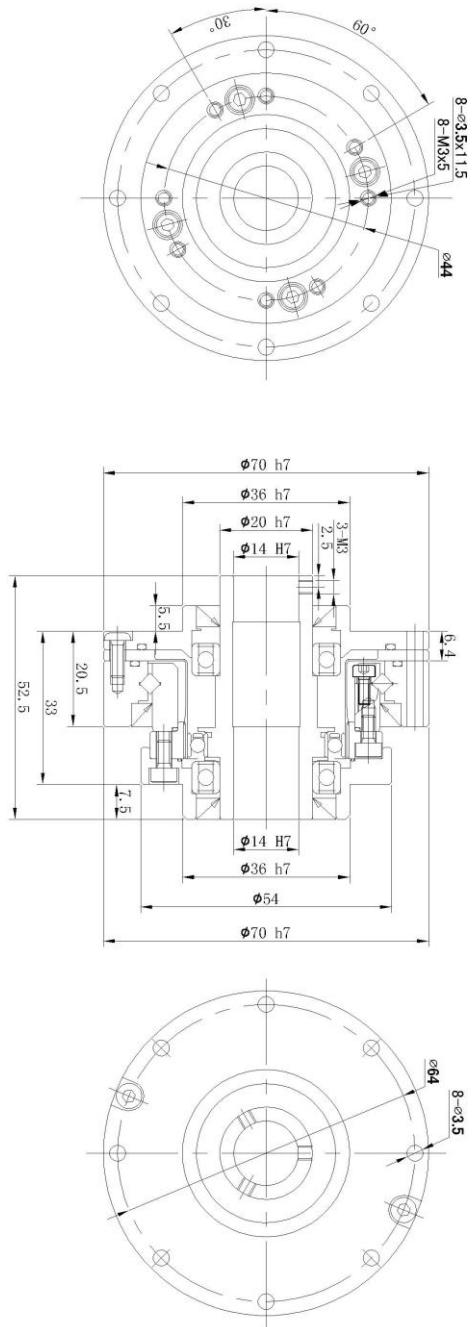
## Parameter Table

Item Model No	Reduction Ratio	Rated Torque at 2000r/min	Allowable Peak Torque at Start and Stop	Allowable Average Torque	Allowable Maximum Momentary Torque	Maximum Input Speed	Allowable Average Input Speed	Back lash	With Maximum Tension	Weight	Design Life
		Nm	Nm	Nm	Nm	r/min	r/min	Arc sec	N	Kg	Hour
14	30	3.8	8.6	7.8	16	8000	3500	≤20	≤77	0.72	10000
	50	5.1	17	6.6	33			≤20			10000
	80	7.4	22	10.5	45			≤10			15000
	100	7.4	27	10.5	51			≤10			15000
17	30	8.4	15.2	11.5	29	7000	3500	≤20	≤92	1.0	10000
	50	15.2	32	25	66			≤20			10000
	80	21	41	26	83			≤10			15000
	100	23	51	37	104			≤10			15000
120	23	51	37	82			≤10				15000
	30	14	26	19	48	6000	3500	≤20	≤136	1.38	10000
	50	24	53	32	93			≤20			10000
	80	32	70	45	121			≤10			15000
100	38	78	47	140	≤10			15000			
120	38	78	47	140			≤10				15000
	160	38	87	47	140		≤10				15000
	30	26	48	36	90	5500	3500	≤20	≤147	2.15	10000
	50	37	93	52	177			≤20			10000
80	60	130	83	242	≤10			15000			
100	64	149	103	270	≤10			15000			
120	64	159	103	289			≤10				15000
	160	64	167	103	298		≤10				15000
	30	51	95	71	190	4500	3500	≤20	≤154	4.3	10000
	50	72	205	103	363			≤20			10000
80	112	289	159	540	≤10			15000			
100	130	316	205	615	≤10			15000			
120	130	335	205	652			≤10				15000
	160	130	353	205	652		≤10				15000
	50	130	382	186	652	4000	3000	≤20	≤294	7.8	10000
	80	196	493	270	931			≤10			15000
100	252	540	353	1026	≤10			15000			
120	279	586	428	1121	≤10			15000			
120	160	279	615	428	1121		≤10				15000
	50	233	679	333	1358	3000	2500	≤20	≤373	14.5	10000
	80	353	894	493	1767			≤10			15000
	100	446	931	633	1957			≤10			15000
120	502	1026	772	1957	≤10			15000			
120	160	502	1121	801	2328		≤10				15000
	80	678	1828	951	3026	3000	2200	≤10	≤1300	20.0	15000
	100	860	1964	1309	3927			≤10			15000
	120	921	2124	1470	4113			≤10			15000
160	921	2272	1494	4236	≤10			15000			

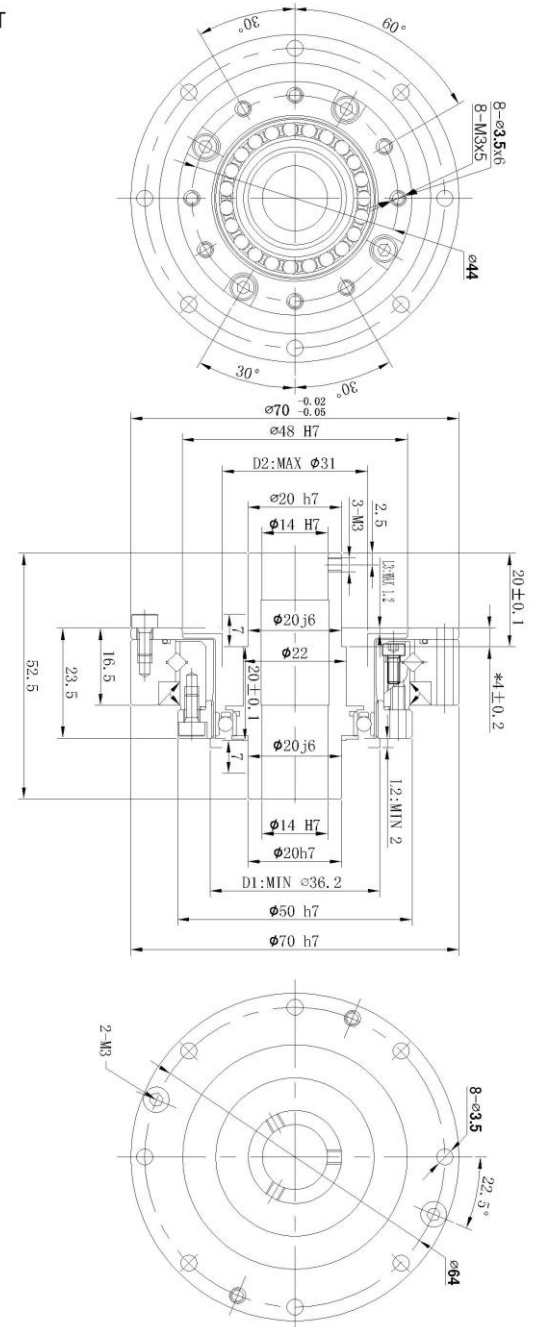
\* Consult factory

# LHS-III Series Drawings

LHS-14-XXX-C-III



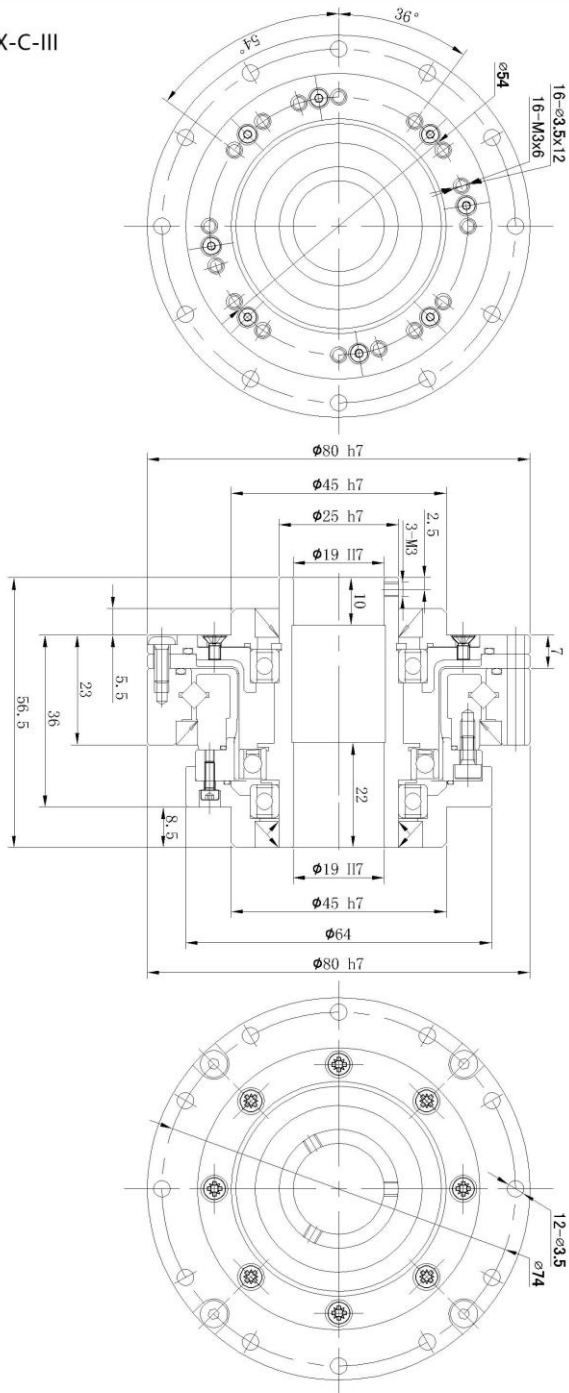
LHS-14-XXX-C-III-ST



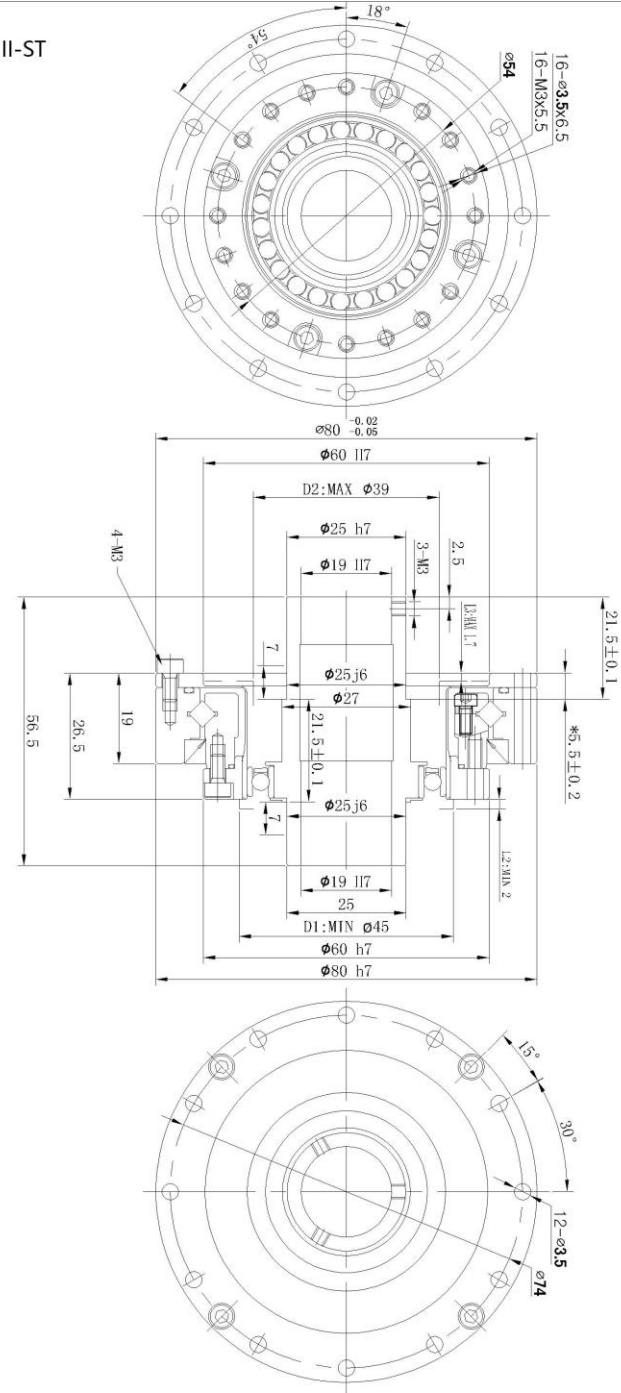


# LHS-III Series Drawings

LHS-17-XXX-C-III

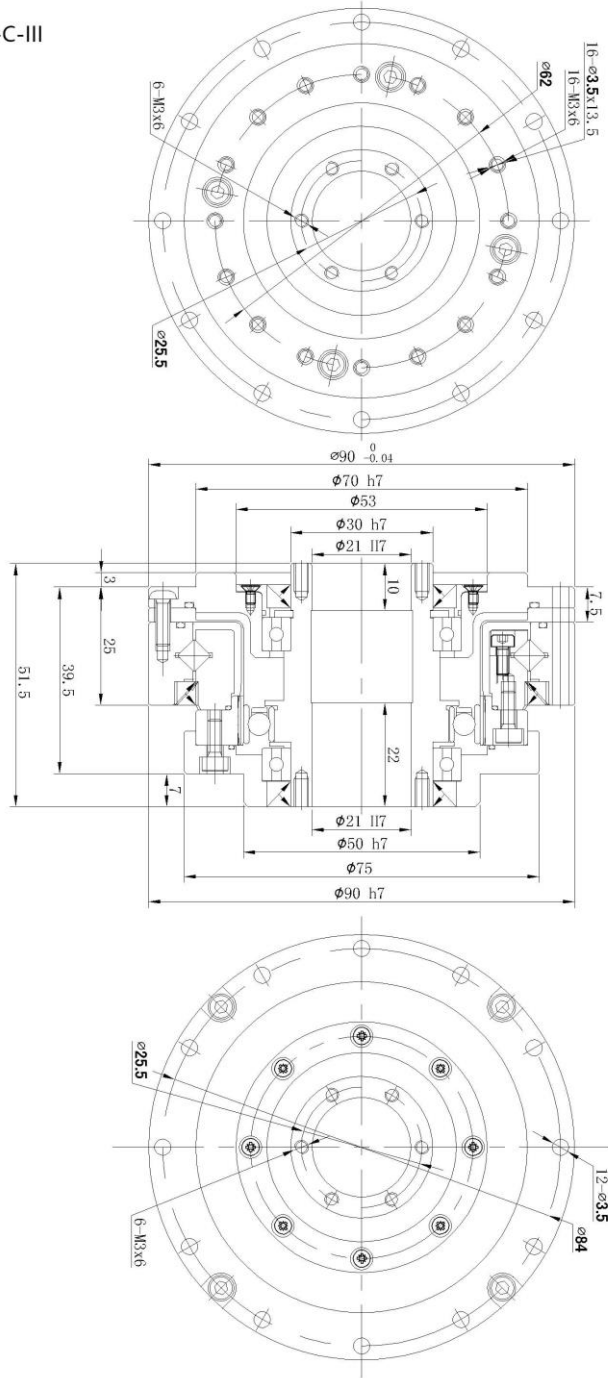


LHS-17-XXX-C-III-ST

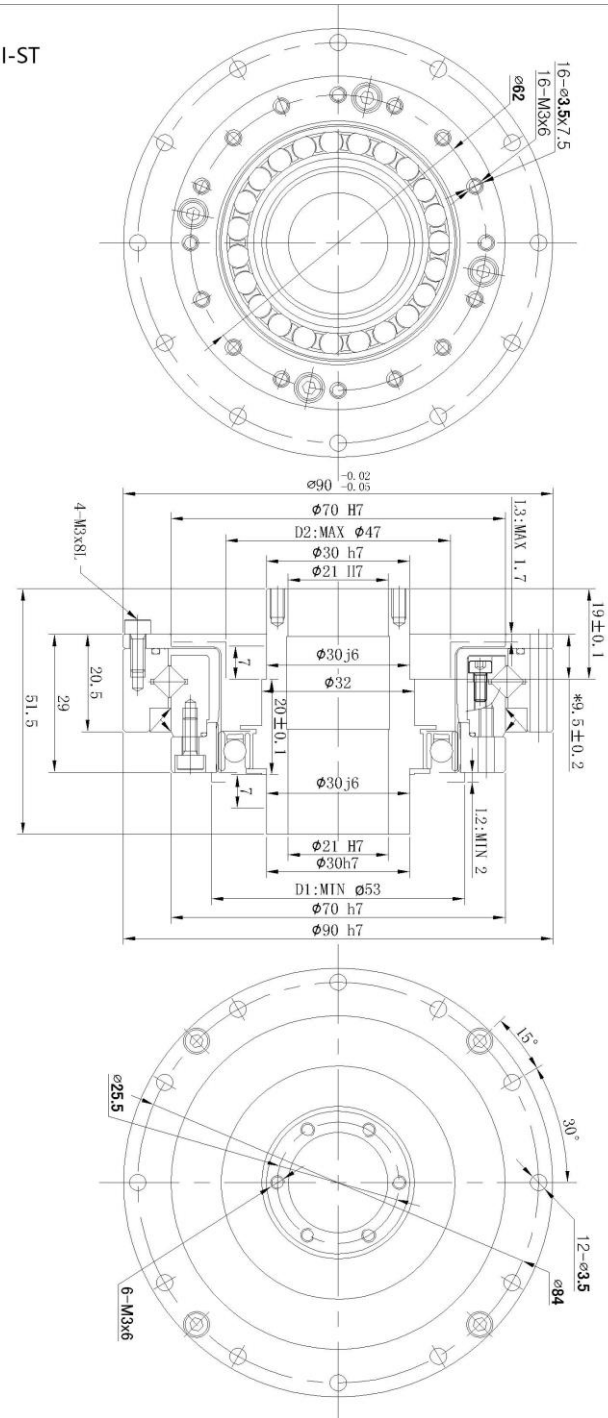


# LHS-III Series Drawings

LHS-20-XXX-C-III

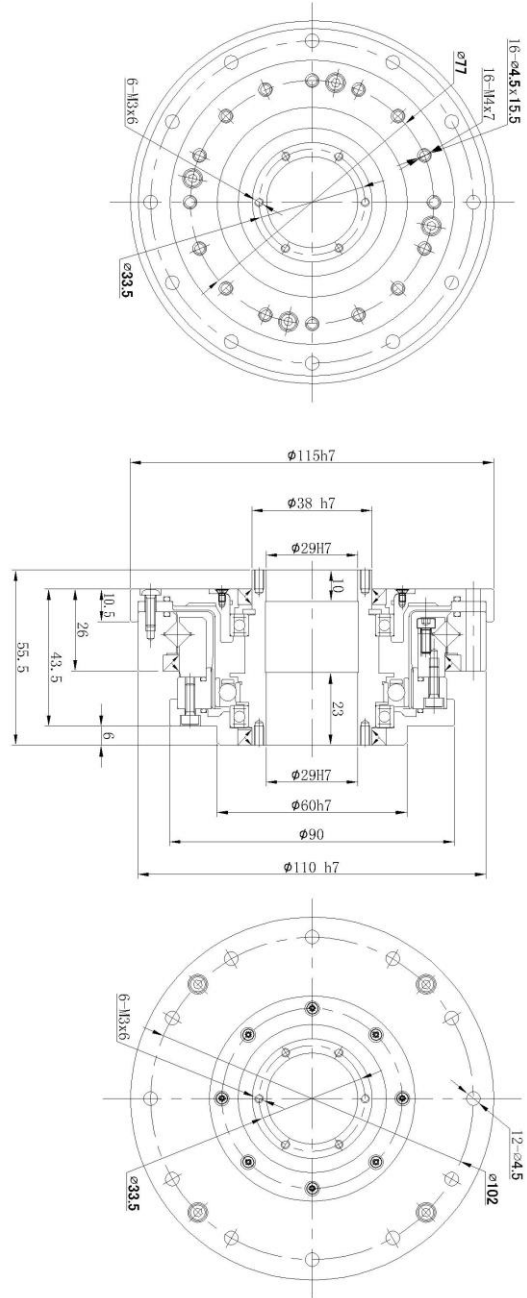


LHS-20-XXX-C-III-ST

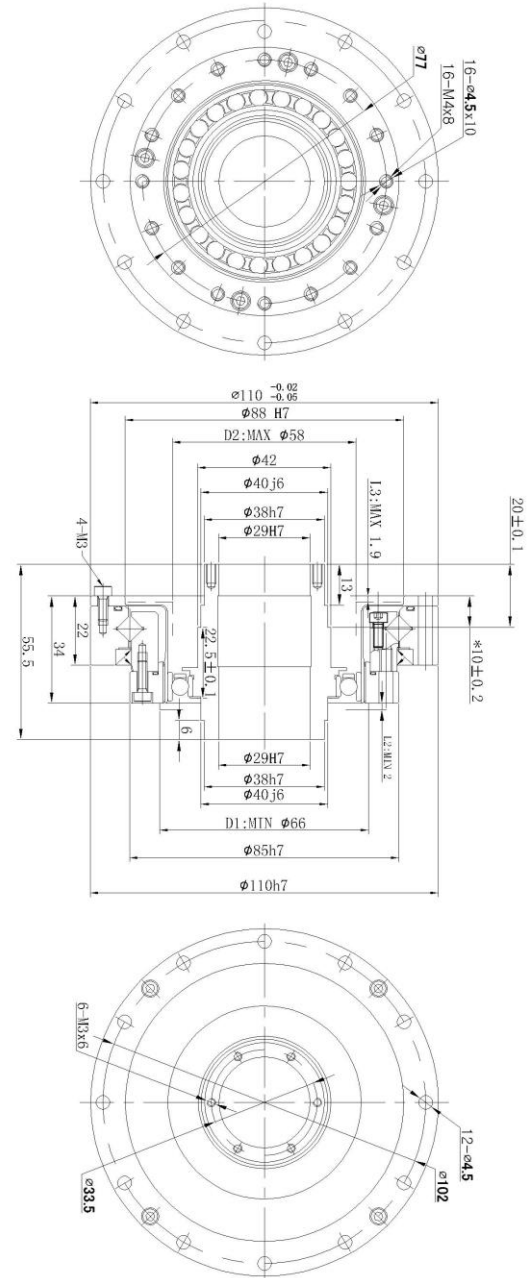


# LHS-III Series Drawings

LHS-25-XXX-C-III

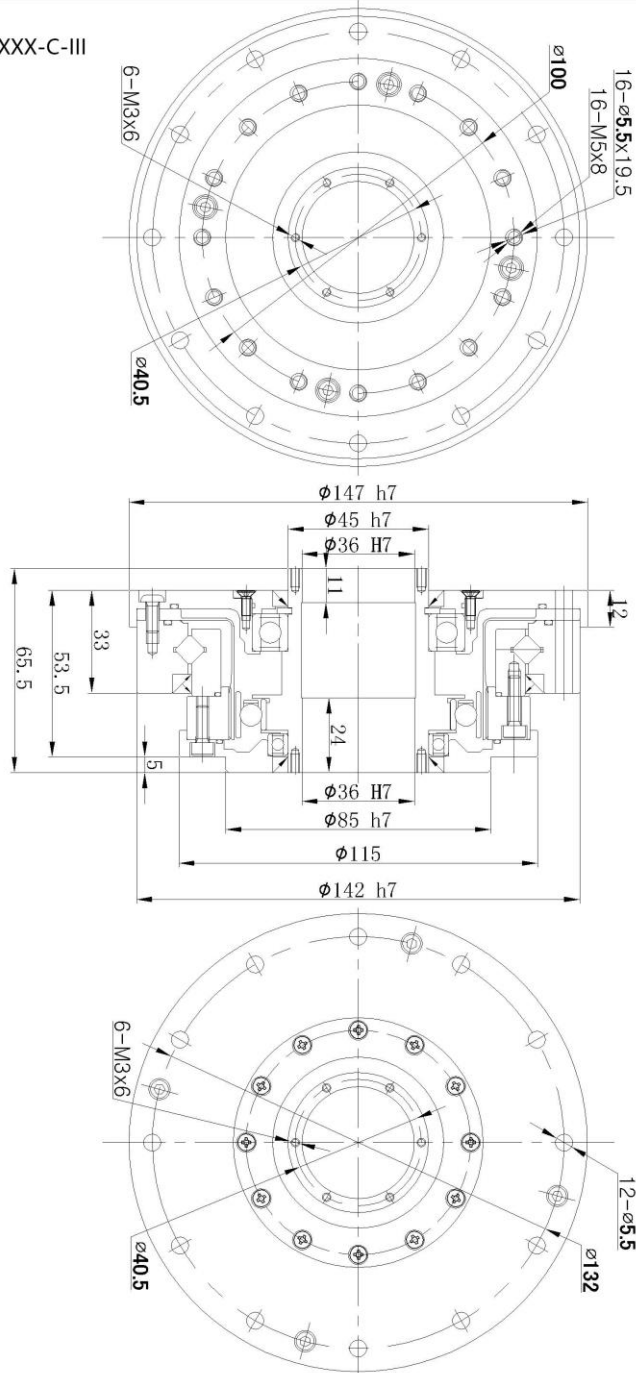


LHS-25-XXX-C-III-ST

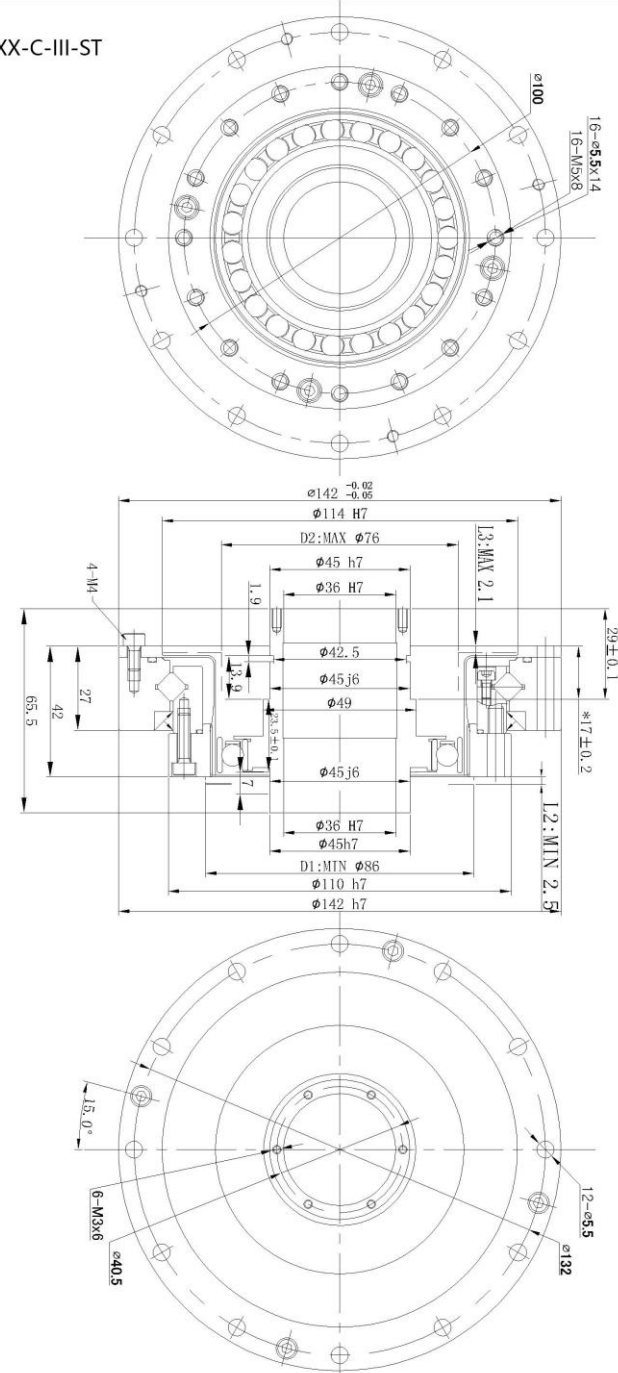


# LHS-III Series Drawings

LHS-32-XXX-C-III



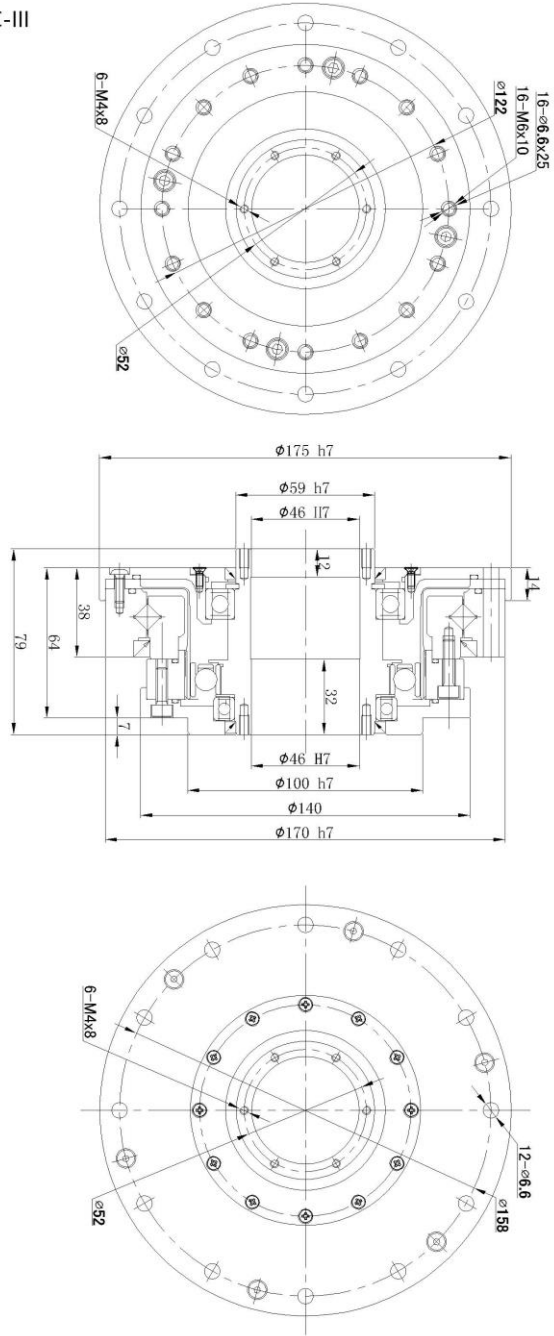
LHS-32-XXX-C-III-ST



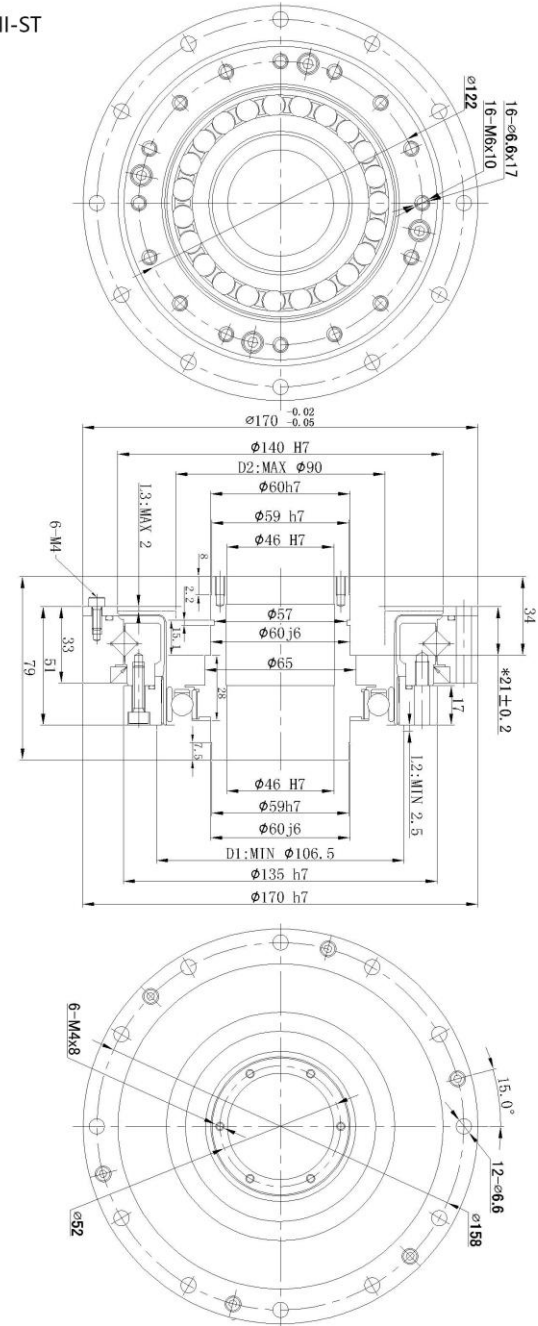


# LHS-III Series Drawings

LHS-40-XXX-C-III



LHS-40-XXX-C-III-ST



## LHS-CL-III series



For LHS-CL-III series, there is a large-aperture hollow shaft hole in the middle of the cam of their wave generator, and a supporting bearing designed inside reducer. Characterized by full-sealing structure and easy installation, the series are very suitable for the occasions where threading needs running through the center of reducer.

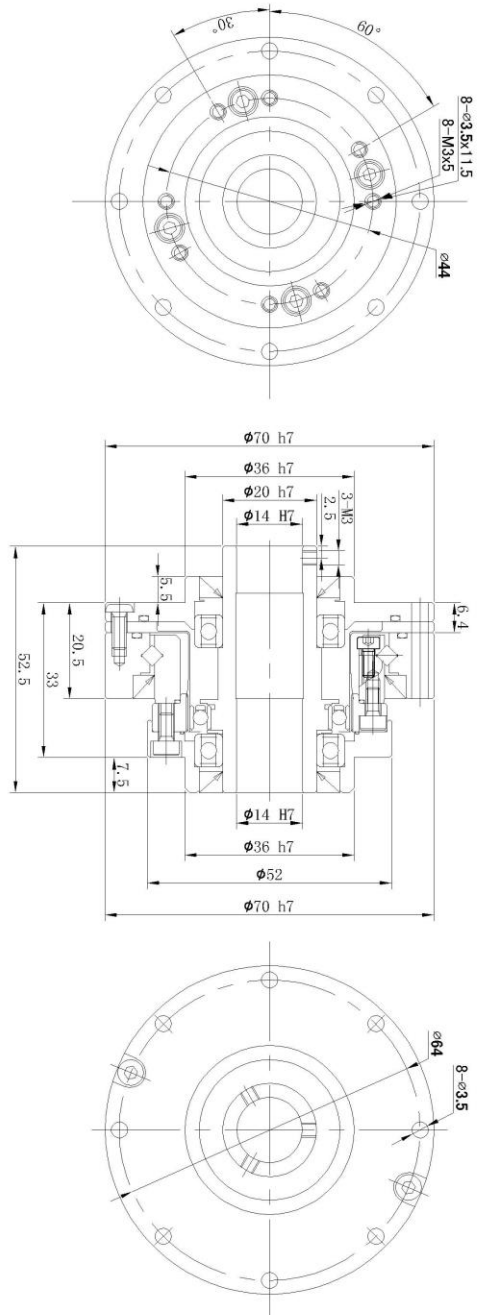
Parameter Table

Item Model No	Reduction Ratio	Rated Torque at 2000r/min	Allowable Peak Torque at Start and Stop	Allowable Average Torque	Allowable Maximum Momentary Torque	Maximum Input Speed	Allowable Average Input Speed	Back lash	With Maximum Tension	Weight	Design Life
		Nm	Nm	Nm	Nm	r/min	r/min	Arc sec	N	Kg	Hour
14	30	3.8	8.6	7.8	16	8000	3500	≤20	≤77	0.56	10000
	50	5.1	17	6.6	33			≤20			10000
	80	7.4	22	10.5	45			≤10			15000
	100	7.4	27	10.5	51			≤10			15000
17	30	8.4	15.2	11.5	29	7000	3500	≤20	≤92	0.80	10000
	50	15.2	32	26	66			≤20			10000
	80	21	41	26	83			≤10			15000
	100	23	51	37	104			≤10			15000
20	30	14	26	19	48	6000	3500	≤20	≤136	1.09	10000
	50	24	53	32	93			≤20			10000
	80	32	70	45	121			≤10			15000
	100	38	78	47	140			≤10			15000
25	30	26	48	36	90	5500	3500	≤20	≤147	1.70	10000
	50	37	93	52	177			≤20			10000
	80	60	130	83	242			≤10			15000
	100	64	149	103	270			≤10			15000
32	30	51	95	71	190	4600	3500	≤20	≤154	3.50	10000
	50	72	205	103	363			≤20			10000
	80	112	289	159	540			≤10			15000
	100	130	316	205	615			≤10			15000
40	30	130	335	205	652	4000	3000	≤20	≤294	6.35	10000
	50	196	493	270	931			≤10			15000
	100	252	540	353	1026			≤10			15000
	120	279	586	428	1121			≤10			15000
50*	30	233	679	333	1358	3000	2500	≤20	≤373	12.0	10000
	50	353	894	493	1767			≤10			15000
	100	446	931	633	1957			≤10			15000
	120	502	1026	772	1957			≤10			15000
58*	30	502	1121	801	2328	3000	2200	≤20	≤1300	16.5	15000
	50	678	1828	951	3026			≤10			15000
	100	860	1964	1309	3927			≤10			15000
	120	921	2124	1470	4113			≤10			15000
	160	921	2272	1494	4236			≤10			15000

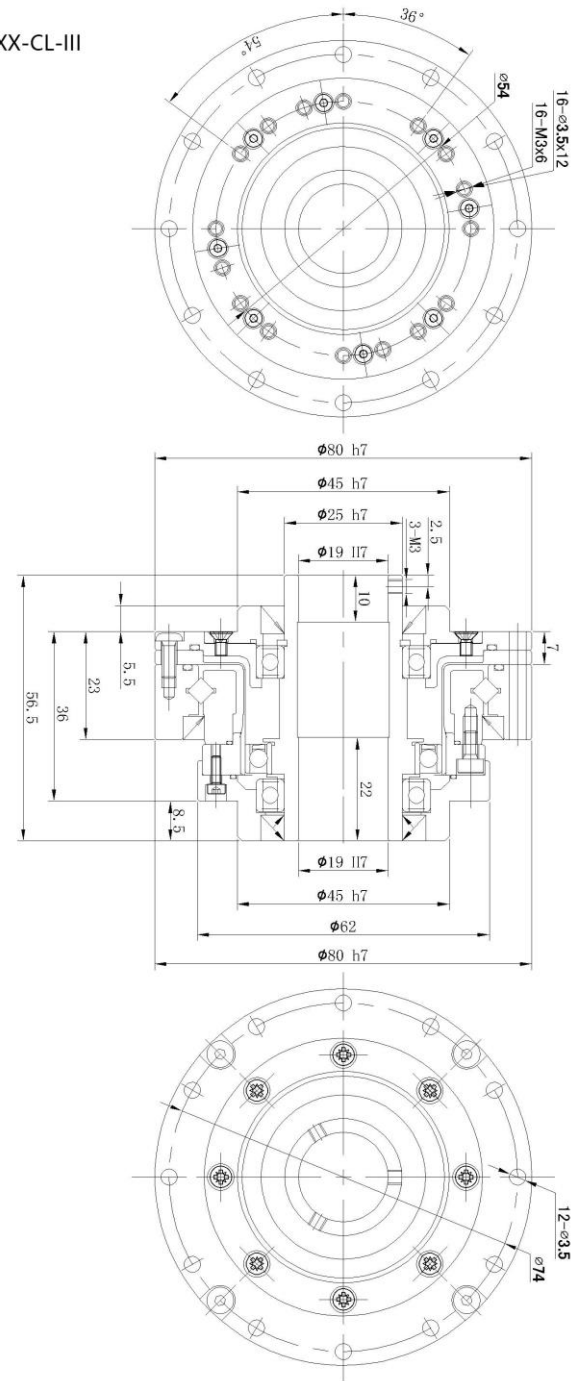
\* Consult factory

# LHS-CL-III Series Drawings

LHS-14-XXX-CL-III

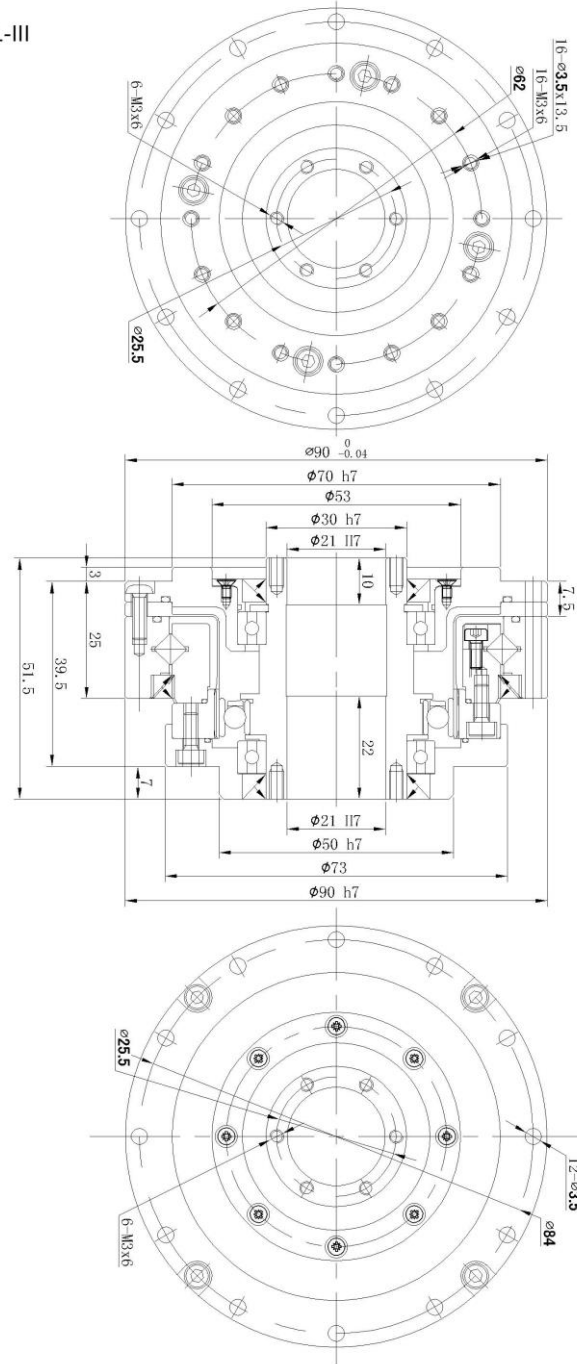


LHS-17-XXX-CL-III

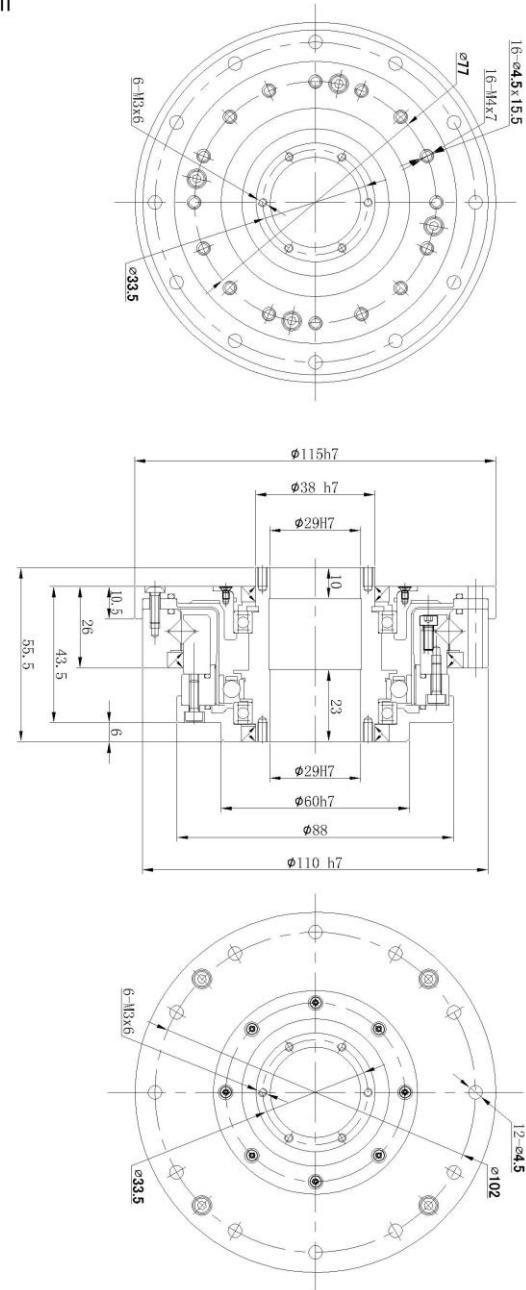


# LHS-CL-III Series Drawings

LHS-20-XXX-CL-III



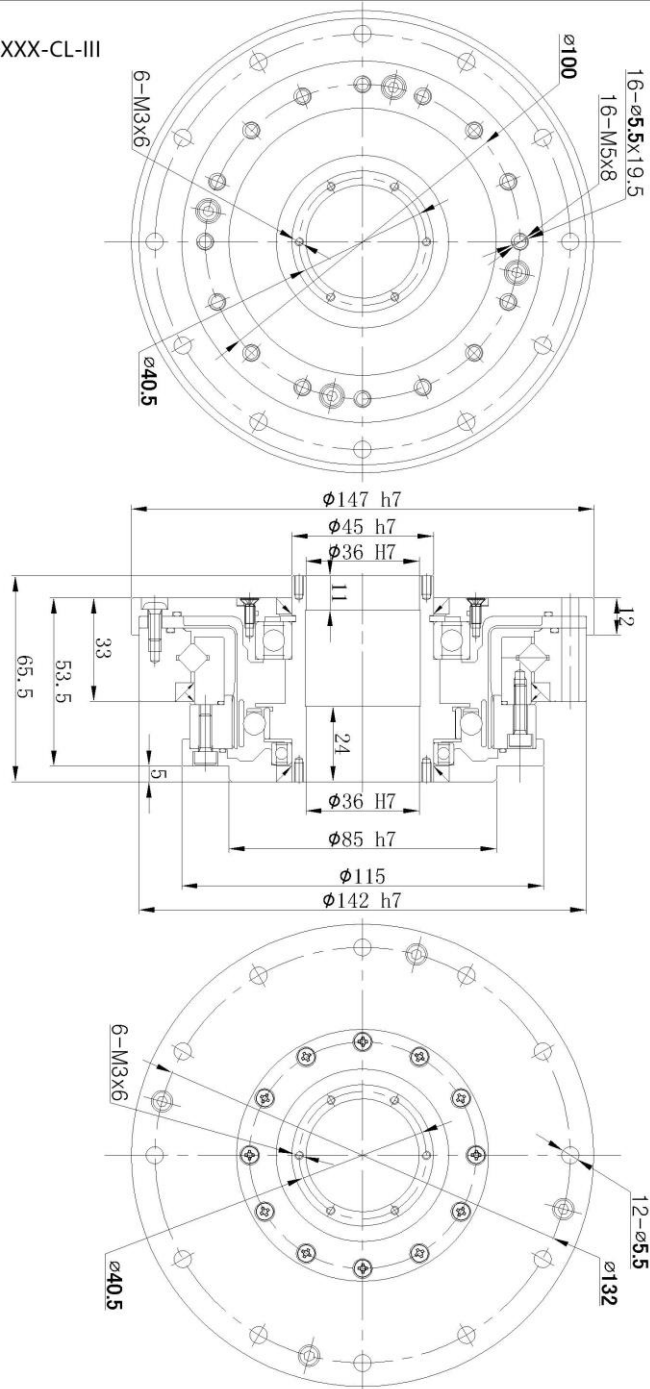
LHS-25-XXX-CL-III



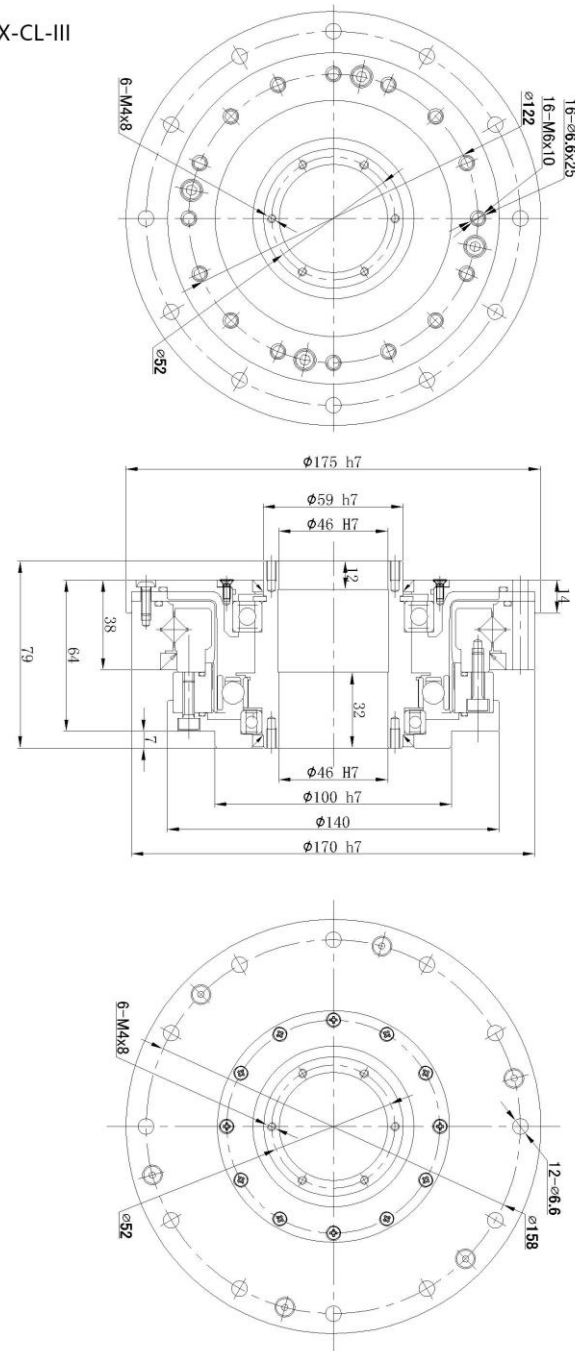


# LHS-CL-III Series Drawings

LHS-32-XXX-CL-III



LHS-40-XXX-CL-III



# LHS-IV series



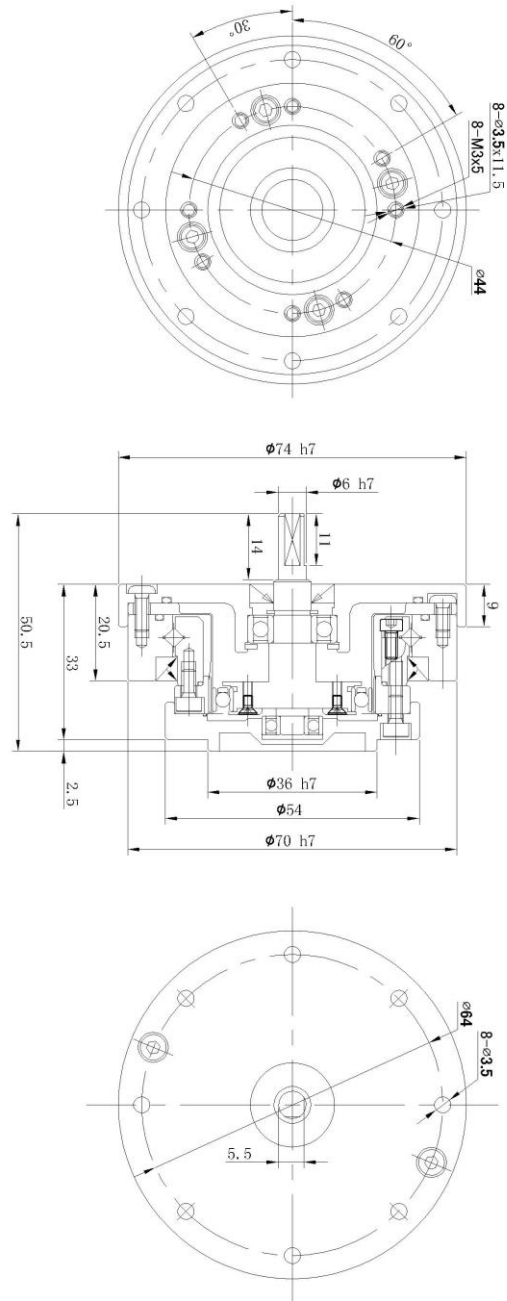
For LHS-IV series, the cam of their wave generator is provided with an input shaft; therefore, the series are very suitable for occasions where bevel gear or synchronous belt drive is needed at the input end.

## Parameter Table

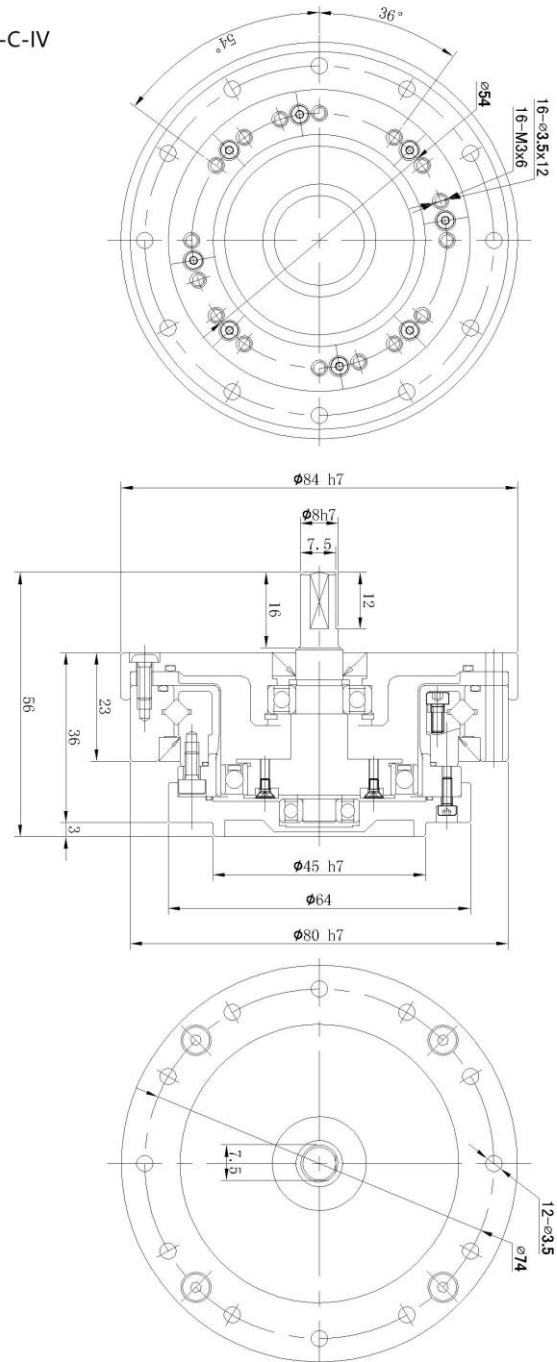
Item	Reduction Ratio	Rated Torque at 2000r/min	Allowable Peak Torque at Start and Stop	Allowable Average Torque	Allowable Maximum Momentary Torque	Maximum Input Speed	Allowable Average Input Speed	Back lash	With Maximum Tension	Weight	Design Life
		Nm	Nm	Nm	Nm	r/min	r/min	Arc sec	N	Kg	Hour
14	30	3.8	8.6	7.8	16	8000	3500	≤20	≤26	0.65	10000
	50	5.1	17	6.6	33			≤20			10000
	80	7.4	22	10.5	45			≤10			15000
	100	7.4	27	10.5	51			≤10			15000
17	30	8.4	15.2	11.5	29	7000	3500	≤20	≤32	0.92	10000
	50	15.2	32	25	66			≤20			10000
	80	21	41	26	83			≤10			15000
	100	23	51	37	104			≤10			15000
	120	23	51	37	82			≤10			15000
20	30	14	26	19	48	6000	3500	≤20	≤58	1.36	10000
	50	24	53	32	93			≤20			10000
	80	32	70	45	121			≤10			15000
	100	38	78	47	140			≤10			15000
	120	38	83	47	140			≤10			15000
	160	38	87	47	140			≤10			15000
25	30	26	48	36	90	5500	3500	≤20	≤71	2.05	10000
	50	37	93	52	177			≤20			10000
	80	60	130	83	242			≤10			15000
	100	64	149	103	270			≤10			15000
	120	64	159	103	289			≤10			15000
32	160	64	167	103	298	≤10	15000	≤114	4.35	10000	
	30	51	95	71	190	≤20	10000				
	50	72	205	103	363	≤20	10000				
	80	112	289	159	540	≤10	15000				
	100	130	316	205	615	≤10	15000				
	120	130	335	205	652	≤10	15000				
40	160	130	353	205	652	≤10	15000	≤294	6.45	10000	
	50	130	382	186	652	≤20	15000				
	80	196	493	270	931	≤10	15000				
	100	252	540	353	1026	≤10	15000				
	120	279	586	428	1121	≤10	15000				
	160	279	615	428	1121	≤10	15000				

# LHS-IV Series Drawings

LHS-14-XXX-C-IV

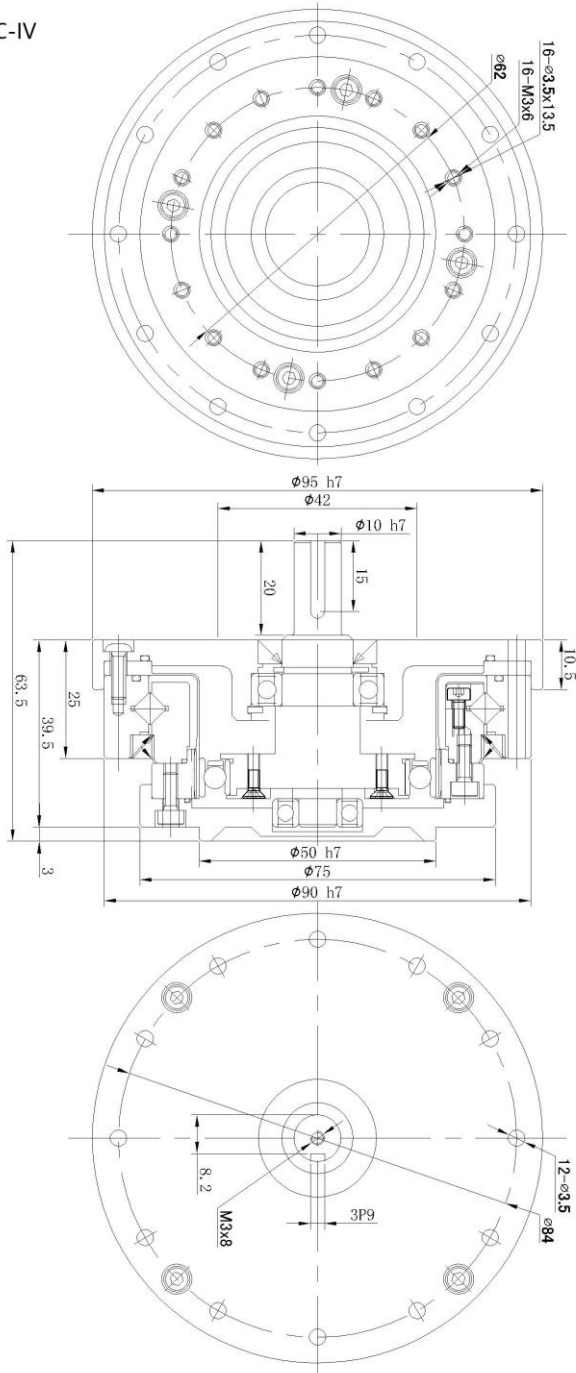


LHS-17-XXX-C-IV

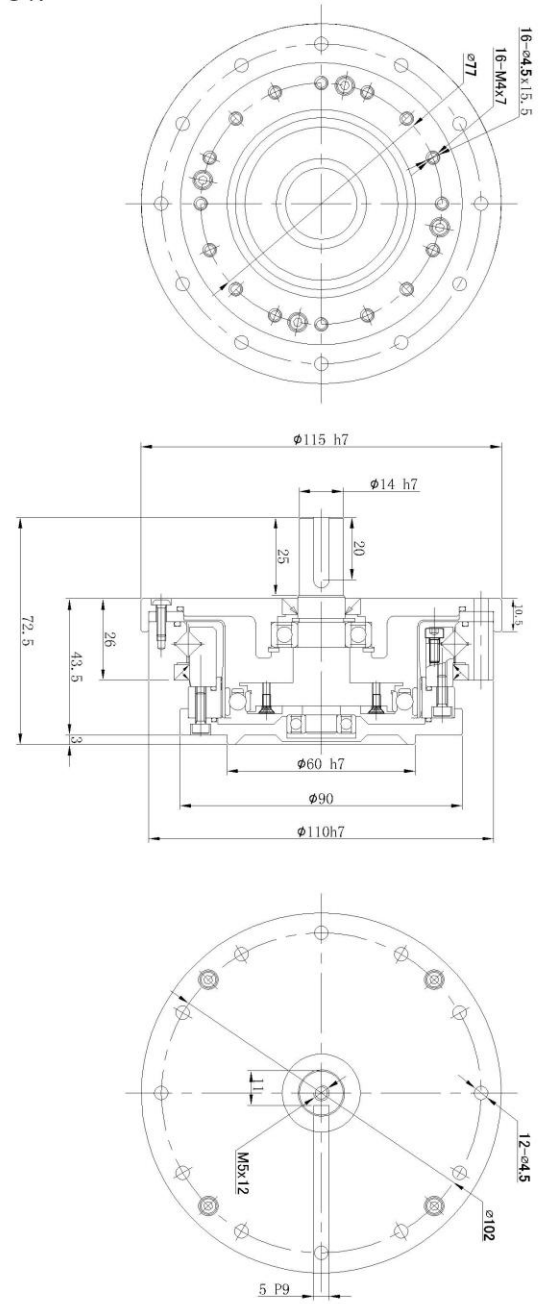


# LHS-IV Series Drawings

LHS-20-XXX-C-IV



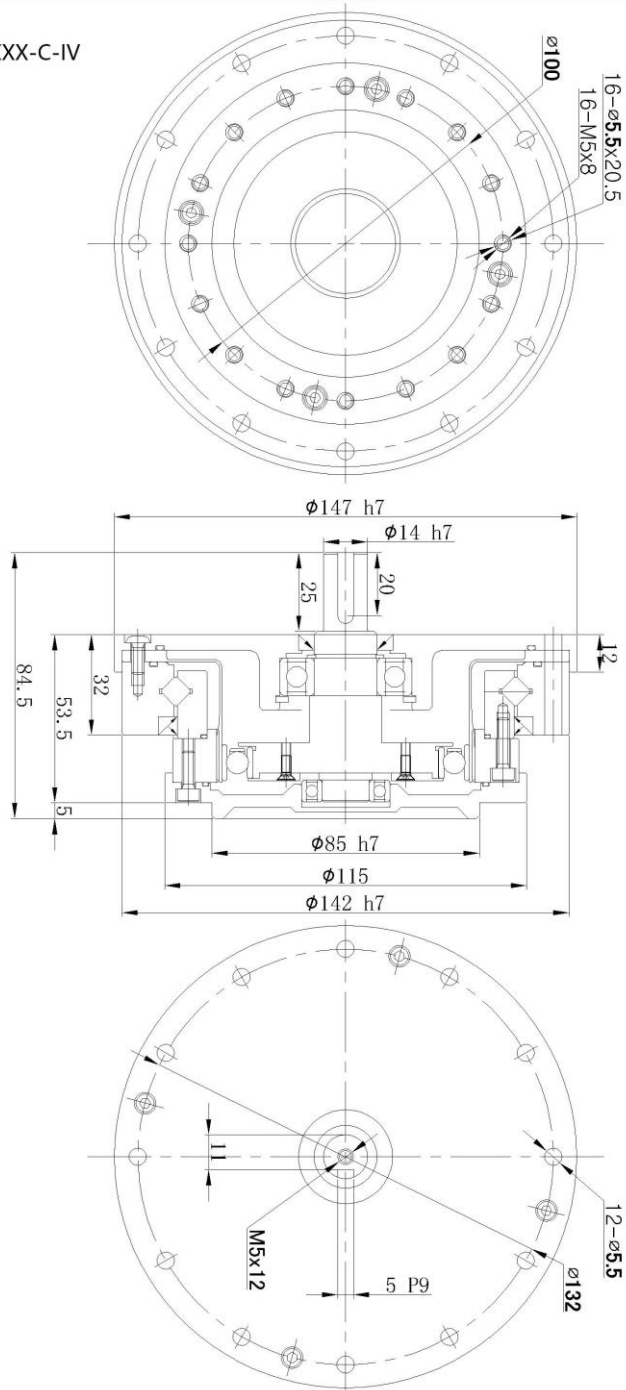
LHS-25-XXX-C-IV



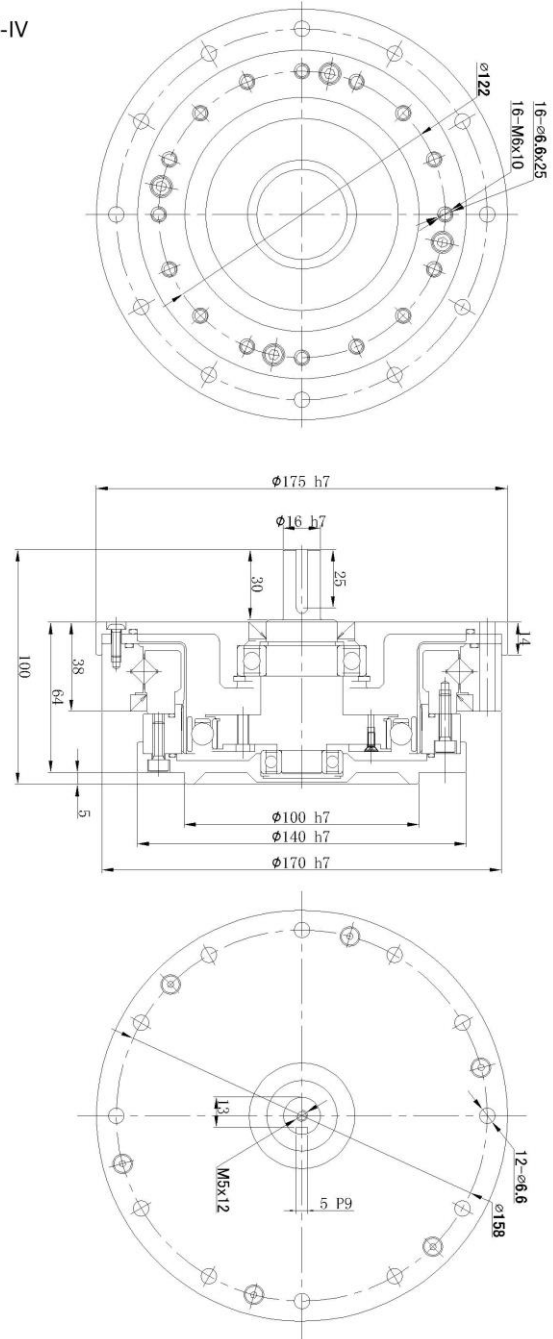


# LHS-IV Series Drawings

LHS-32-XXX-C-IV



LHS-40-XXX-C-IV





Leader Harmonious Drive Systems Co.,Ltd  
TEL :0086- 512-66362298/66560692  
FAX :0086- 512-66362325  
E-mail : sales@leaderdrive.com  
Add : No. 19 Muxu west Road,Mudu,Suzhou,P.R.China  
Postal Code : 215101  
<http://www.leaderdrive.com>

NO. LD2019-1. Y

LEADERDRIVE®

leaderdrive®

苏州绿的谐波传动科技股份有限公司

Leader Harmonious Drive Systems Co.,Ltd

LHSG High-Torque Hollow-Shaft Flexspline  
Strain Wave Gear  
Product Introduction Manual



## LHSG-I series



LHSG-I series are high-torque models which have the same structure, with LHS-I series. However, their torque bearing capacity is improved by 30% compared with LHS series.

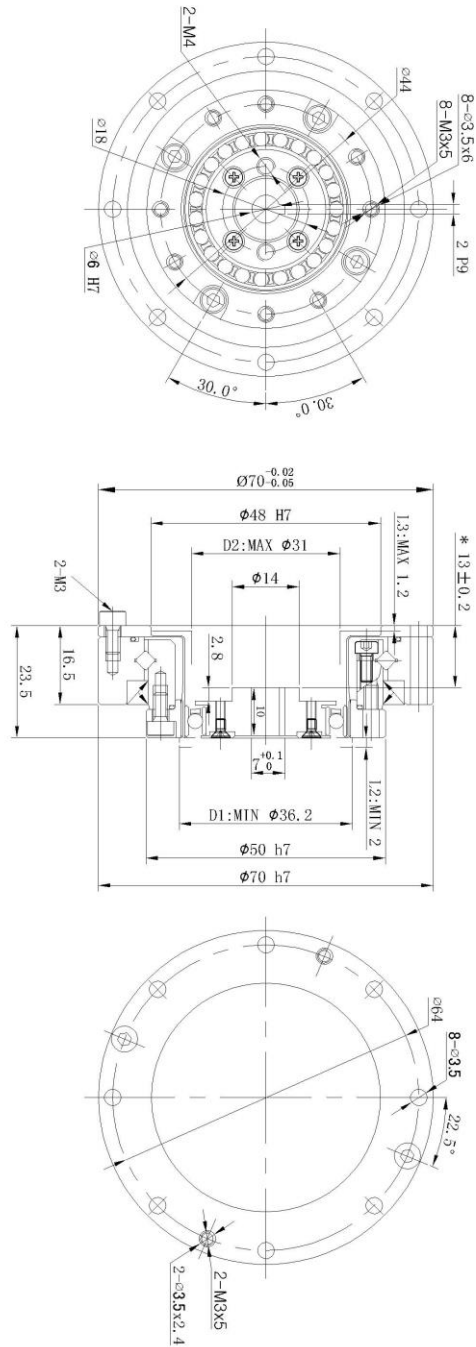
### Parameter Table

Item	Reduction Ratio	Rated Torque at 2000r/min	Allowable Peak Torque at Start and Stop	Allowable Average Torque	Allowable Maximum Momentary Torque	Maximum Input Speed	Allowable Average Input Speed	Back lash	Weight	Design Life
		Nm	Nm	Nm	Nm	r/min	r/min	Arc sec	Kg	Hour
14	50	6.6	23	8.6	43	8000	3500	≦10	0.38	10000
	80	9.6	29	13.5	57			≦10		15000
	100	9.6	34	13.5	66			≦10		15000
17	50	19.8	42	32	86	7000	3500	≦10	0.56	10000
	80	27.5	53	33	108			≦10		15000
	100	30	66	49	134			≦10		15000
	120	30	66	49	107			≦10		15000
20	50	32	69	42	121	6000	3500	≦10	0.76	10000
	80	42	91	58	158			≦10		15000
	100	50	102	61	182			≦10		15000
	120	50	108	61	182			≦10		15000
	160	50	113	61	182			≦10		15000
25	50	48	121	68.5	230	5500	3500	≦10	1.24	10000
	80	78	169	107	315			≦10		15000
	100	84	194	133	351			≦10		15000
	120	84	207	133	376			≦10		15000
	160	84	217	133	388			≦10		15000
32	50	94	267	133	472	4500	3500	≦10	2.6	10000
	80	146	376	206	702			≦10		15000
	100	169	411	267	800			≦10		15000
	120	169	436	267	848			≦10		15000
	160	169	459	267	848			≦10		15000
40	50	169	497	242	847	4000	3000	≦10	5.0	10000
	80	255	641	351	1210			≦10		15000
	100	328	702	460	1334			≦10		15000
	120	363	762	557	1458			≦10		15000
	160	363	800	557	1458			≦10		15000
50*	80	459	1163	642	2297	3000	2500	≦10	9.5	15000
	100	580	1211	823	2545			≦10		15000
	120	654	1334	1005	2545			≦10		15000
	160	654	1458	1042	3025			≦10		15000
58*	80	678	1828	951	3026	3000	2200	≦10	13.6	15000
	100	860	1964	1309	3927			≦10		15000
	120	921	2124	1470	4113			≦10		15000
	160	921	2722	1494	4236			≦10		15000

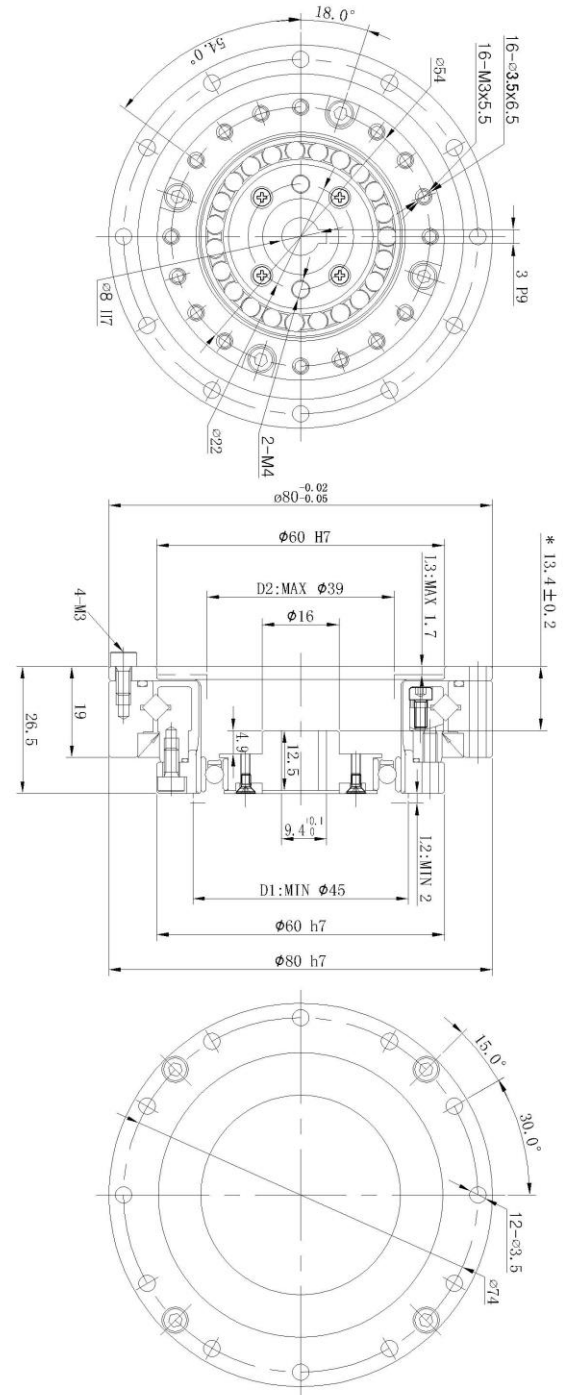
\* Consult factory

# LHSG-I Series Drawings

LHSG-14-XXX-C-I



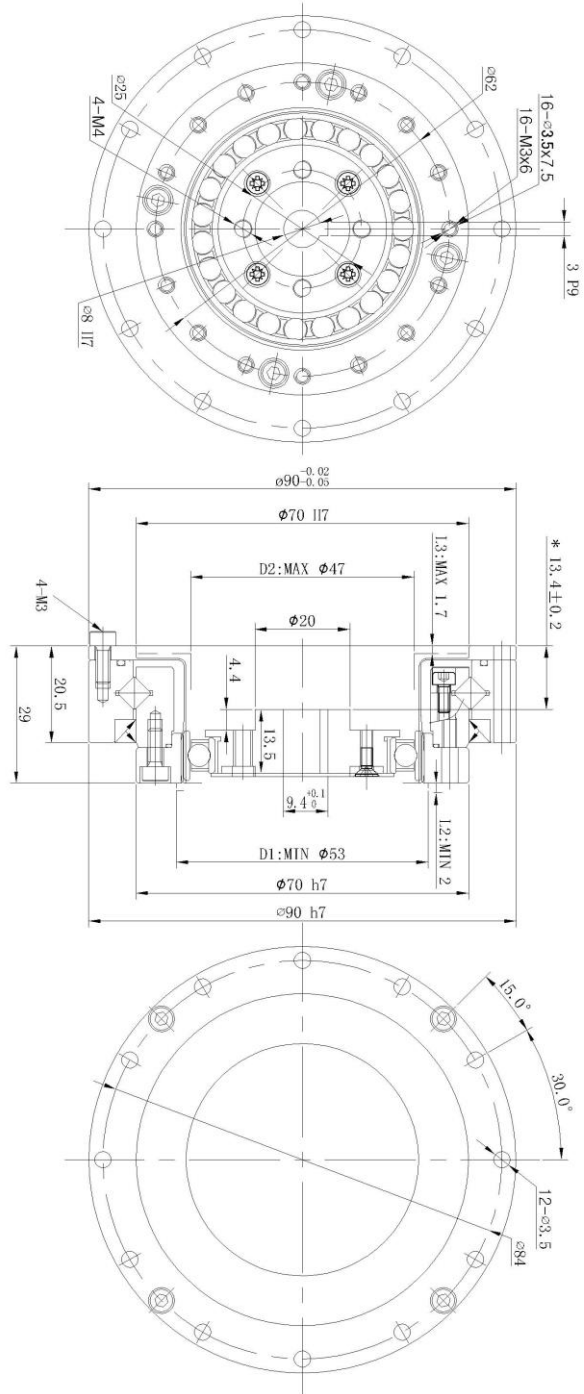
LHSG-17-XXX-C-I



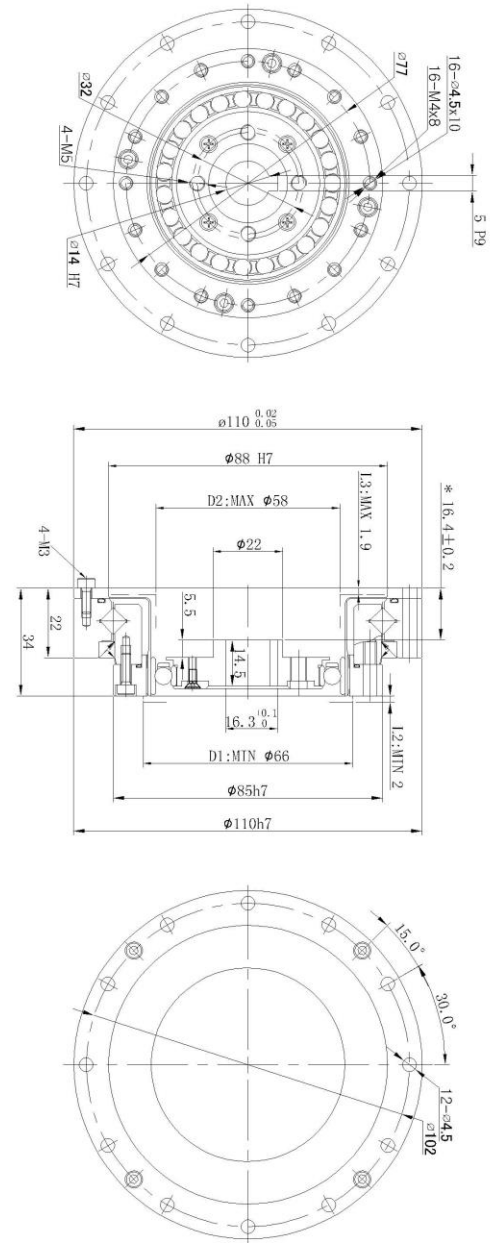


# LHSG-I Series Drawings

LHSG-20-XXX-C-I

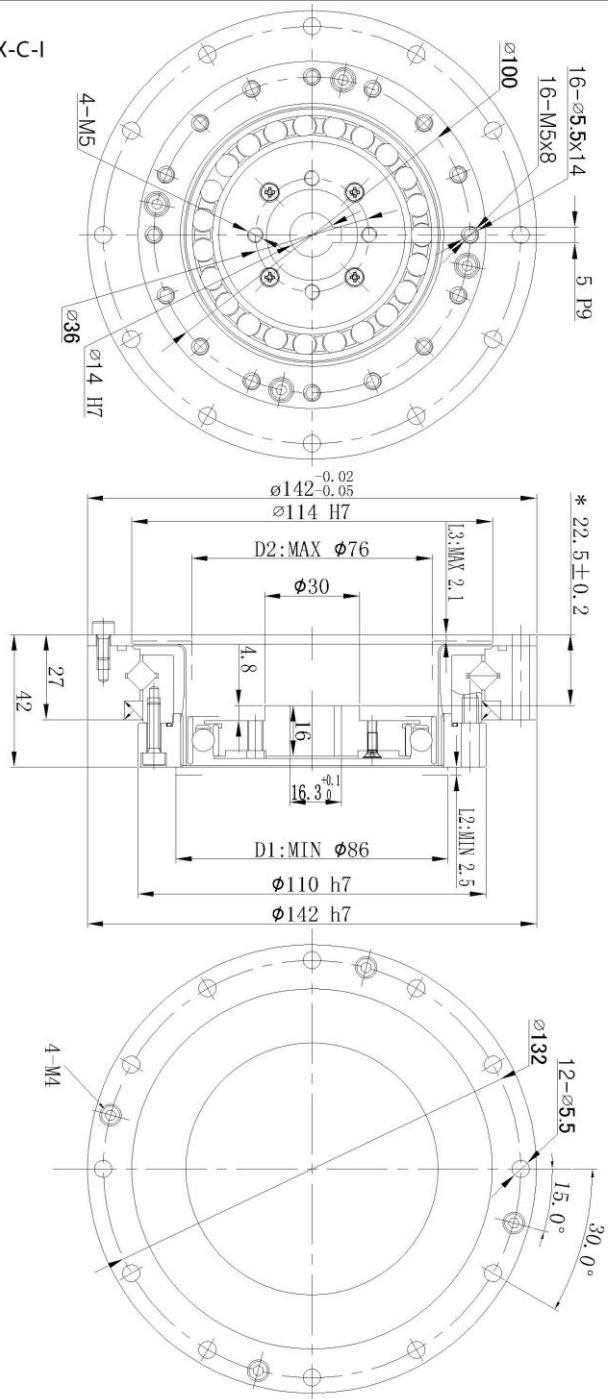


LHSG-25-XXX-C-I

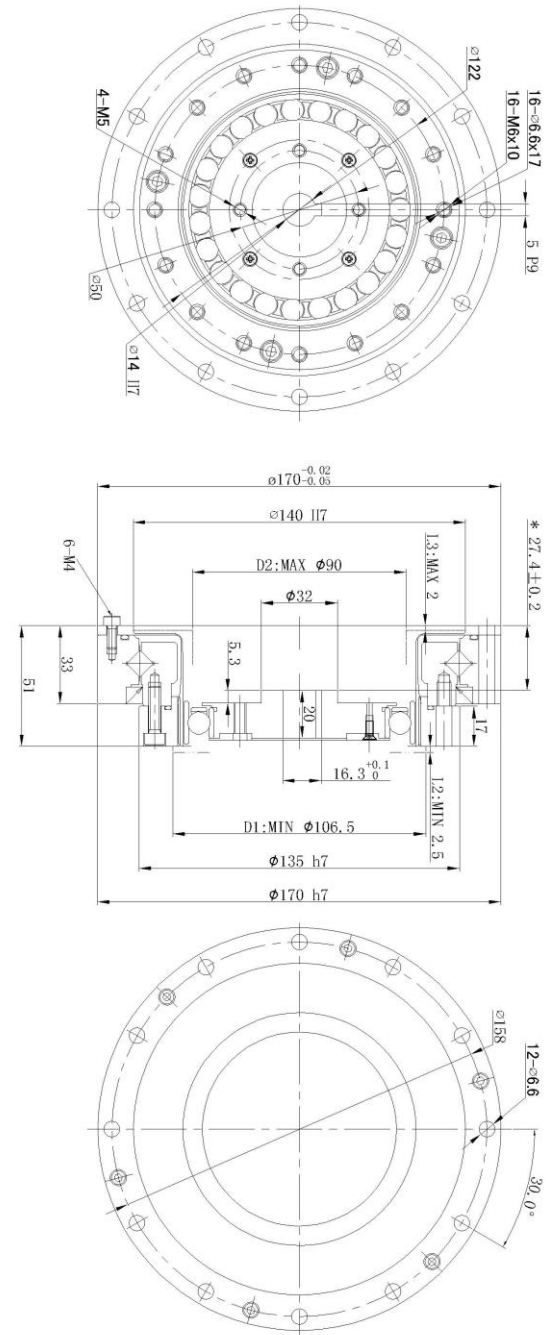


# LHSG-I Series Drawings

LHSG-32-XXX-C-I



LHSG-40-XXX-C-I



## LHSG-II series



LHSG-II series are high-torque models which have the same structure, with LHS-II series. However, their torque bearing capacity is improved by 30% compared with LHS series.

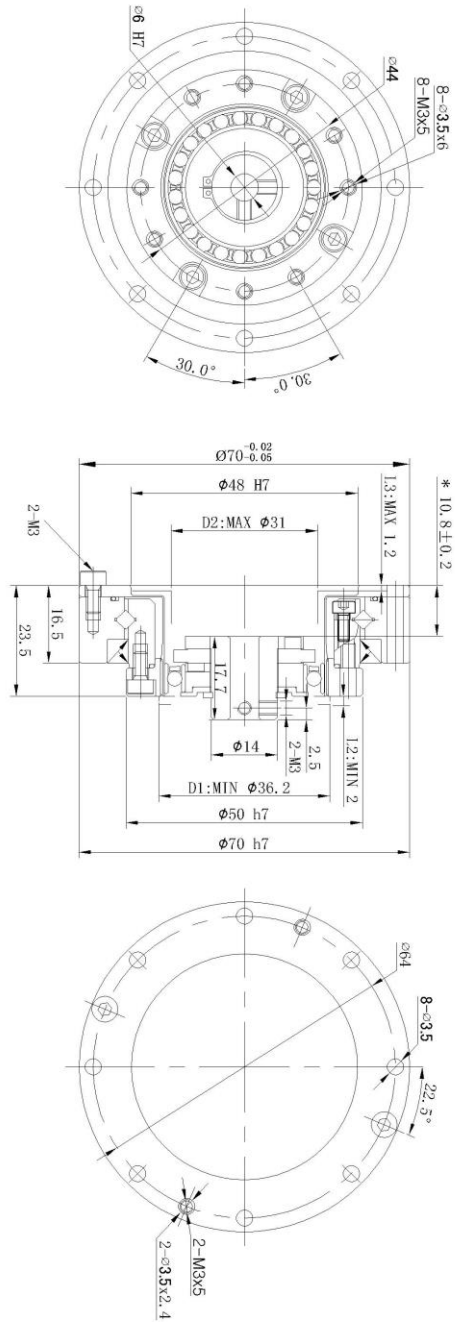
### Parameter Table

Item Model No	Reduction Ratio	Rated Torque at 2000r/min	Allowable Peak Torque at Start and Stop	Allowable Average Torque	Allowable Maximum Momentary Torque	Maximum Input Speed	Allowable Average Input Speed	Backlash	Weight	Design Life
		Nm	Nm	Nm	Nm	r/min	r/min	Arc sec	Kg	Hour
14	50	6.6	23	8.6	43	8000	3500	≤20	0.38	10000
	80	9.6	29	13.5	57			≤20		15000
	100	9.6	34	13.5	66			≤20		15000
17	50	19.8	42	32	86	7000	3500	≤20	0.56	10000
	80	27.5	53	33	108			≤20		15000
	100	30	66	49	134			≤20		15000
20	120	30	66	49	107	6000	3500	≤20	0.76	10000
	50	32	69	42	121			≤20		15000
	80	42	91	58	158			≤20		15000
25	100	50	102	61	182	5500	3500	≤20	1.24	10000
	120	50	108	61	182			≤20		15000
	160	50	113	61	182			≤20		15000
32	50	48	121	68.5	230	4500	3500	≤20	2.6	10000
	80	78	169	107	315			≤20		15000
	100	84	194	133	351			≤20		15000
40	120	84	207	133	376	4000	3000	≤20	5.0	10000
	160	84	217	133	388			≤20		15000
	50	94	267	133	472			≤20		15000
50*	80	146	376	206	702	3000	2500	≤20	9.5	10000
	100	169	411	267	800			≤20		15000
	120	169	436	267	848			≤20		15000
58*	160	169	459	267	848	3000	2200	≤20	13.6	10000
	50	169	497	242	847			≤10		15000
	80	255	641	351	1210			≤10		15000
58*	100	328	702	460	1334	3000	2500	≤10	9.5	10000
	120	363	762	557	1458			≤10		15000
	160	363	800	557	1458			≤10		15000
58*	80	459	1163	642	2297	3000	2200	≤10	13.6	10000
	100	580	1211	823	2545			≤10		15000
	120	654	1334	1005	2545			≤10		15000
58*	160	654	1458	1042	3025	3000	2200	≤10	13.6	10000
	80	678	1828	951	3026			≤10		15000
	100	860	1964	1309	3927			≤10		15000
58*	120	921	2124	1470	4113	3000	2200	≤10	13.6	10000
	160	921	2722	1494	4236			≤10		15000

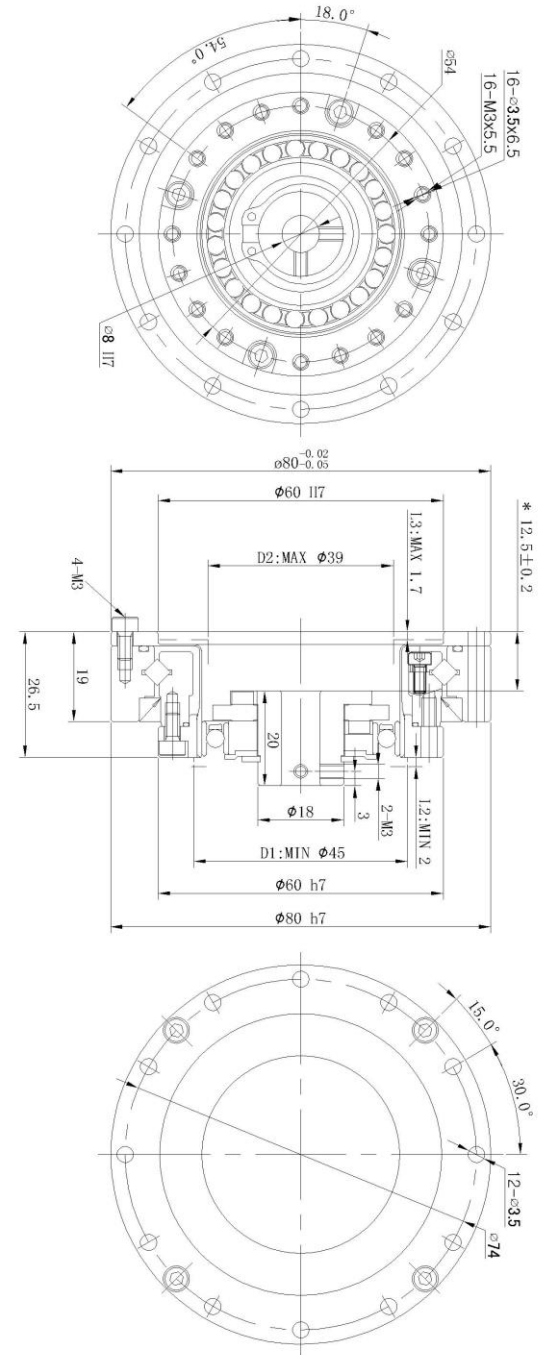
\* Consult factory

# LHSG-II Series Drawings

LHSG-14-XXX-C-II



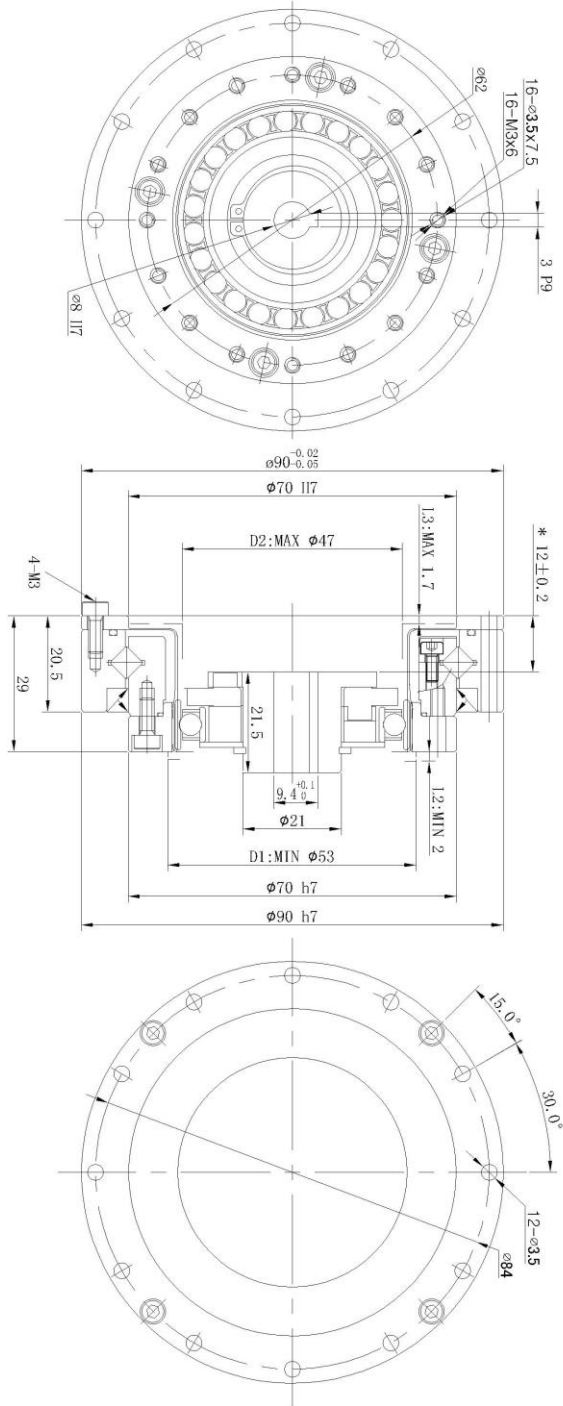
LHSG-17-XXX-C-II



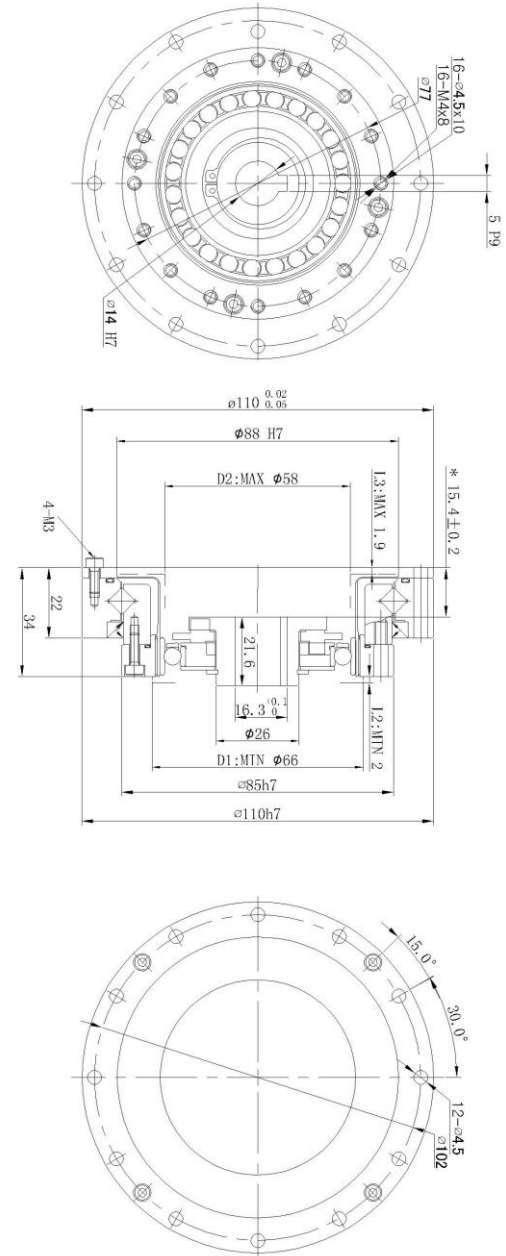


# LHSG-II Series Drawings

LHSG-20-XXX-C-II

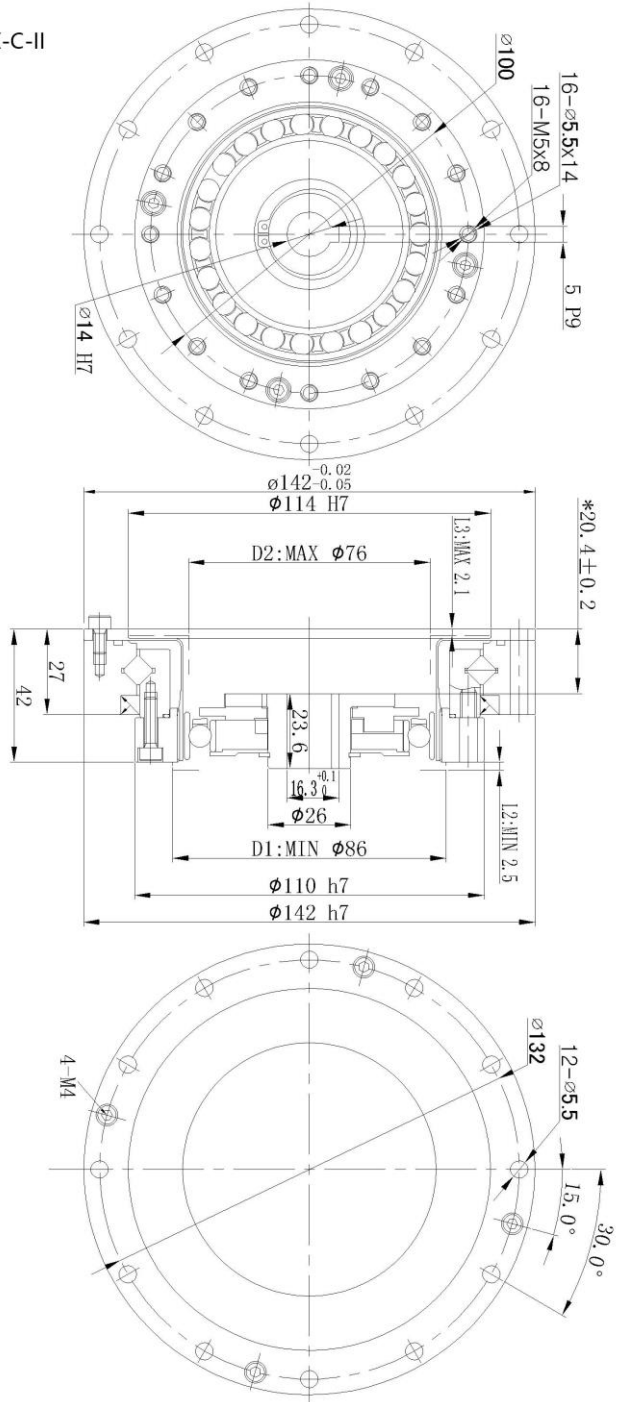


LHSG-25-XXX-C-II

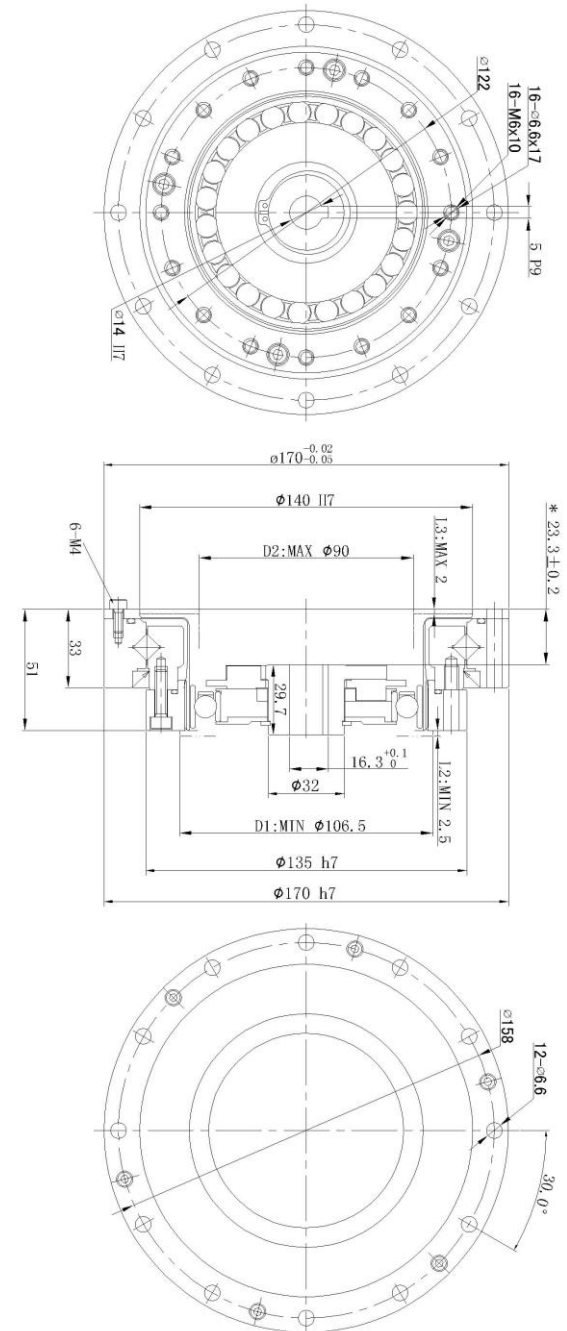


# LHSG-II Series Drawings

LHSG-32-XXX-C-II



LHSG-40-XXX-C-II



## LHSG-III series



LHSG-III series are high-torque models which have the same structure, with LHS-III series. However, their torque bearing capacity is improved by 30% compared with LHS series.

## Parameter Table

Item	Reduction Ratio	Rated Torque at 2000r/min	Allowable Peak Torque at Start and Stop	Allowable Average Torque	Allowable Maximum Momentary Torque	Maximum Input Speed	Allowable Average Input Speed	Back lash	With Maximum Tension	Weight	Design Life
Model No		Nm	Nm	Nm	Nm	r/min	r/min	Arc sec	N	Kg	Hour
14	50	6.6	23	8.6	43	8000	3500	≤20	≤77	0.72	10000
	80	9.6	29	13.5	57			≤10			15000
	100	9.6	34	13.5	66			≤10			15000
17	50	19.8	42	32	86	7000	3500	≤20	≤92	1.0	10000
	80	27.5	53	33	108			≤10			15000
	100	30	66	49	134			≤10			15000
20	120	30	66	49	107	6000	3500	≤10	≤136	1.38	15000
	50	32	69	42	121			≤20			10000
	80	42	91	58	158			≤10			15000
	100	50	102	61	182			≤10			15000
25	120	50	108	61	182	5500	3500	≤10	≤147	2.15	15000
	50	48	121	68.5	230			≤20			10000
	80	78	169	107	315			≤10			15000
	100	84	194	133	351			≤10			15000
32	120	84	207	133	376	4500	3500	≤10	≤154	4.3	15000
	50	94	267	133	472			≤20			10000
	80	146	376	206	702			≤10			15000
	100	169	411	267	800			≤10			15000
40	120	169	436	267	848	4000	3000	≤10	≤294	7.8	15000
	50	169	497	242	847			≤10			10000
	80	255	641	351	1210			≤10			15000
	100	328	702	460	1334			≤10			15000
50*	120	363	762	557	1458	3000	2500	≤10	≤373	14.5	15000
	50	363	800	557	1458			≤10			15000
	80	459	1163	641	2297			≤10			15000
	100	580	1211	823	2545			≤10			15000
58*	120	654	1334	1004	2545	3000	2200	≤10	≤1300	20.0	15000
	50	654	1458	1041	3025			≤10			15000
	80	678	1828	951	3026			≤10			15000
	100	860	1964	1309	3927			≤10			15000
160	921	2124	1470	4113	1494	4236	≤10			15000	
	160	921	2272	1494			4236			≤10	15000

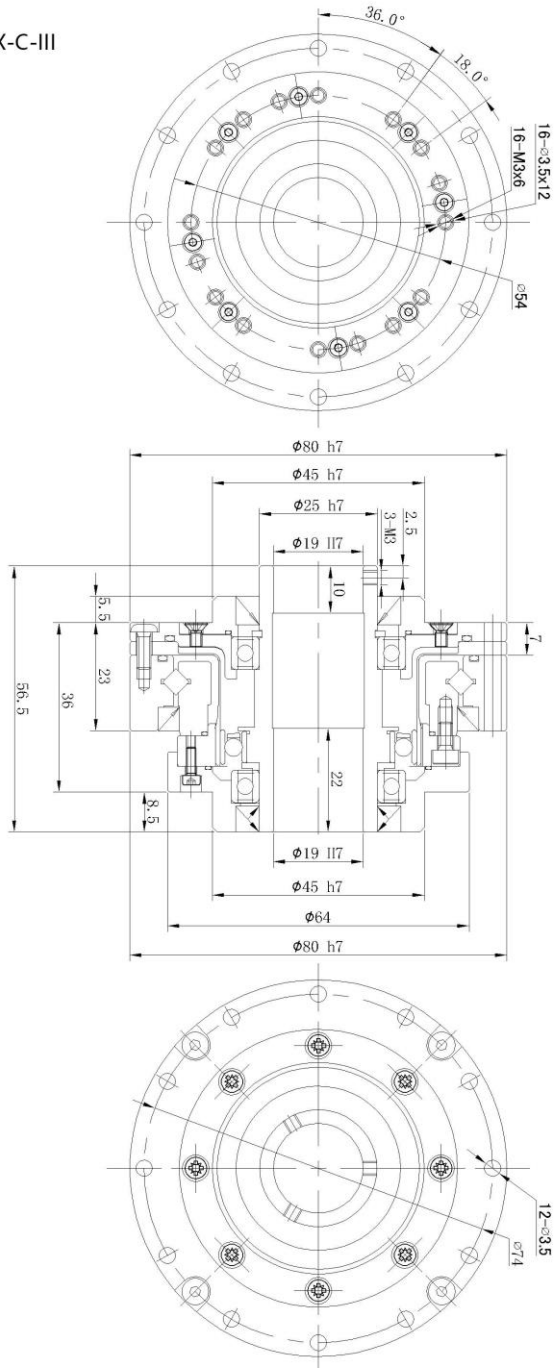
\* Consult factory



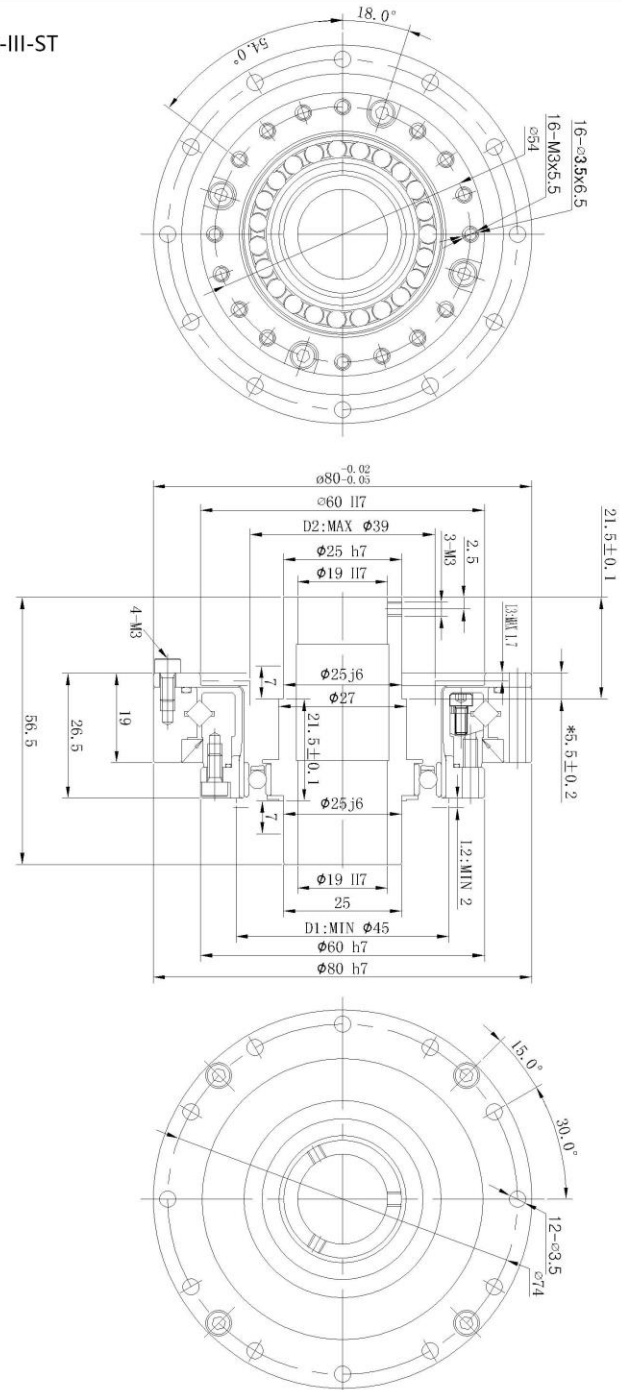


# LHSG-III Series Drawings

LHSG-17-XXX-C-III

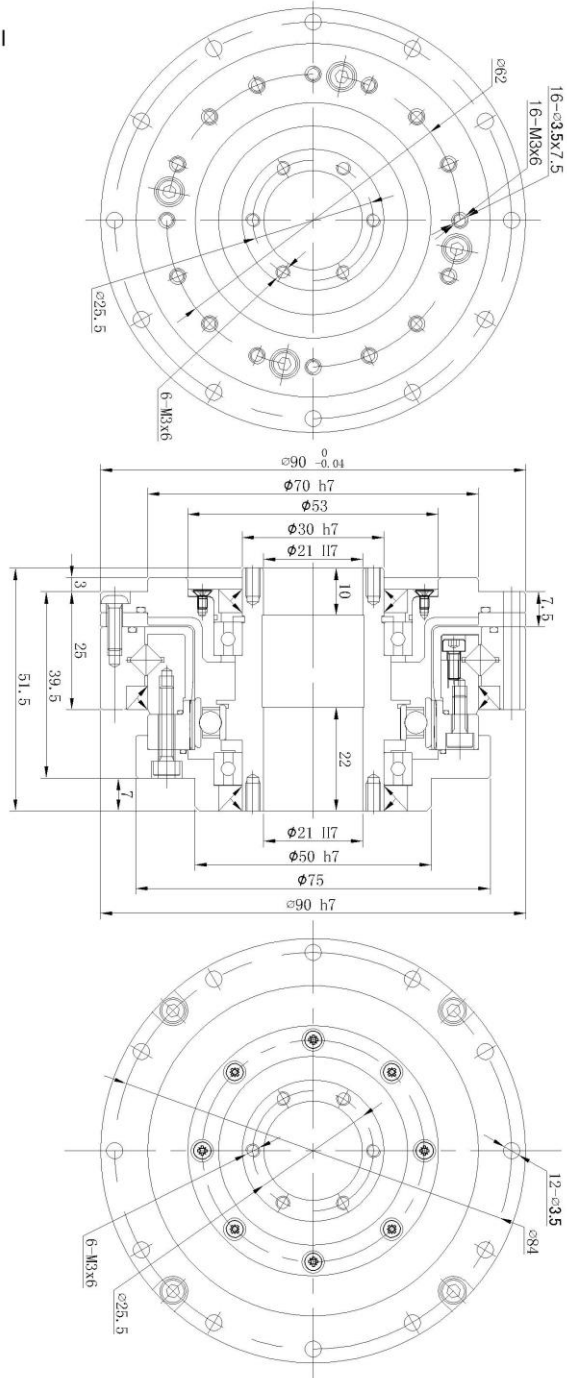


LHSG-17-XXX-C-III-ST

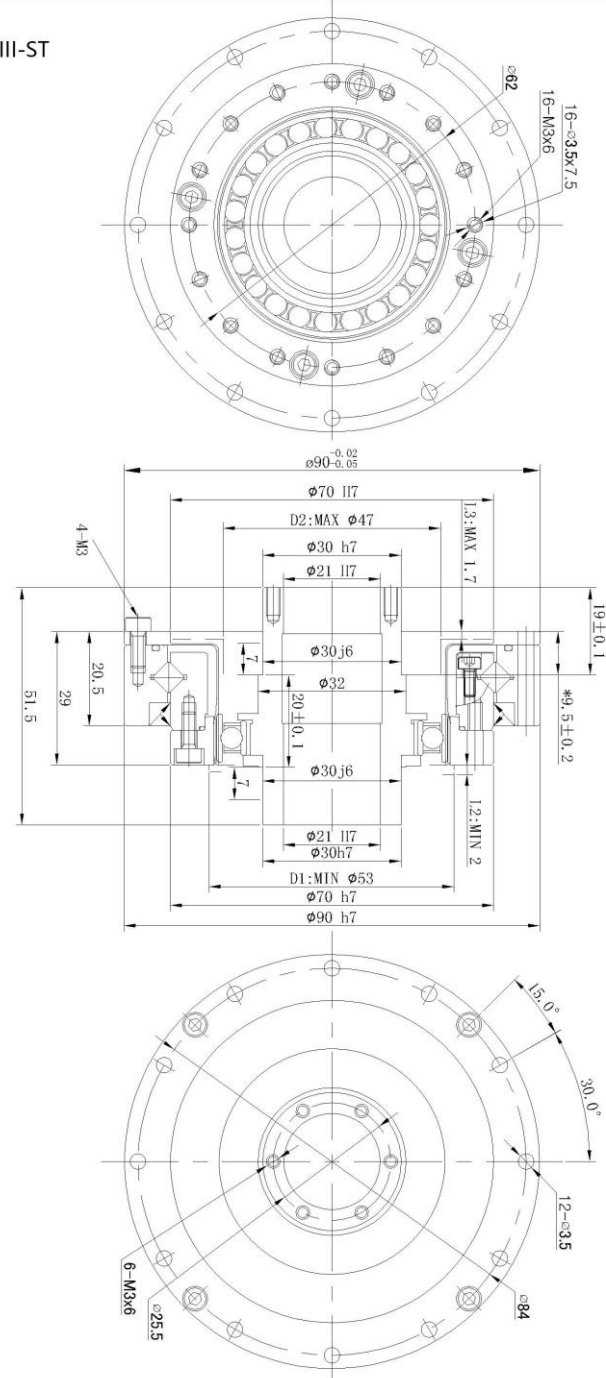


# LHSG-III Series Drawings

LHSG-20-XXX-C-III

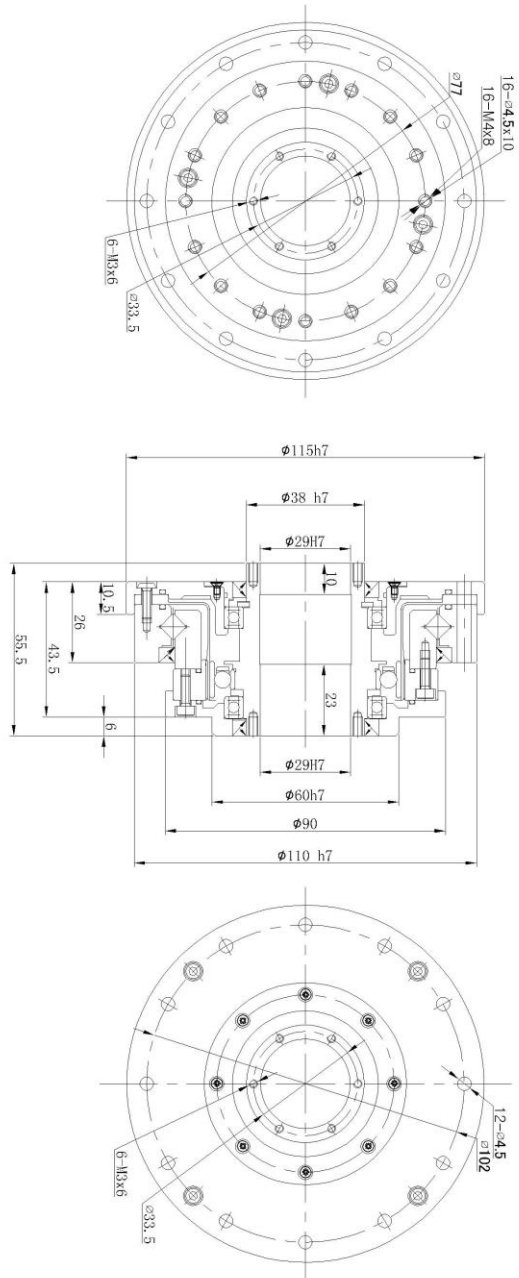


LHSG-20-XXX-C-III-ST

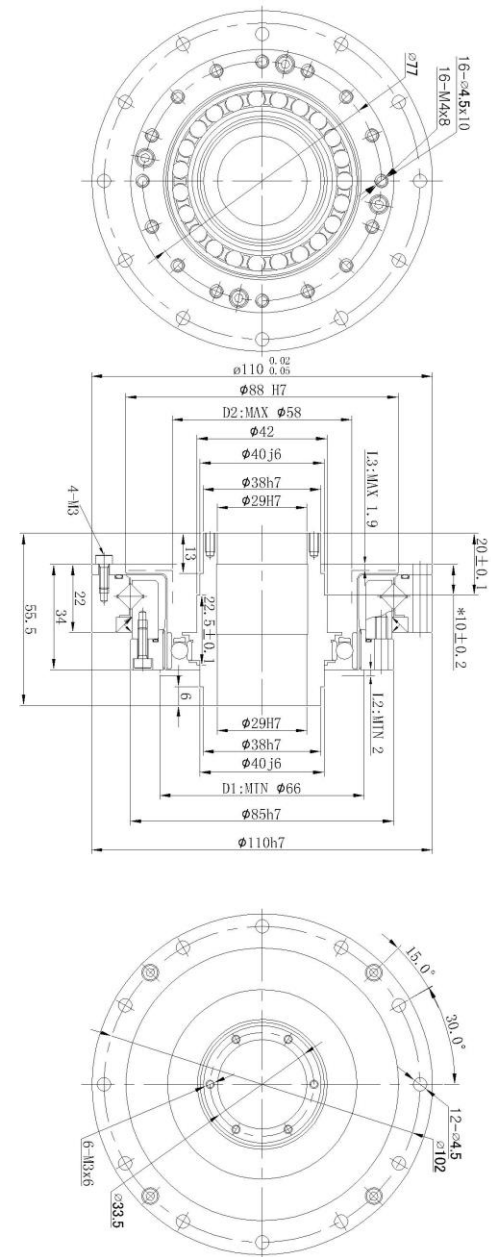


# LHSG-III Series Drawings

LHSG-25-XXX-C-III

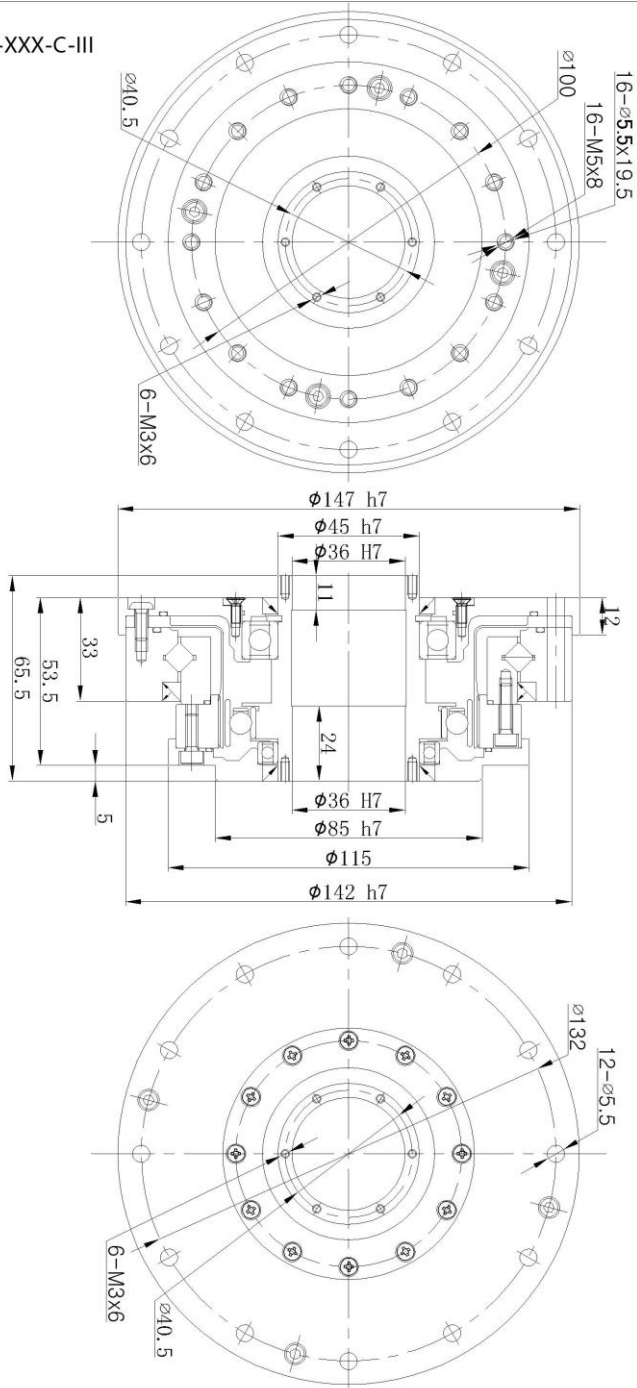


LHSG-25-XXX-C-III-ST

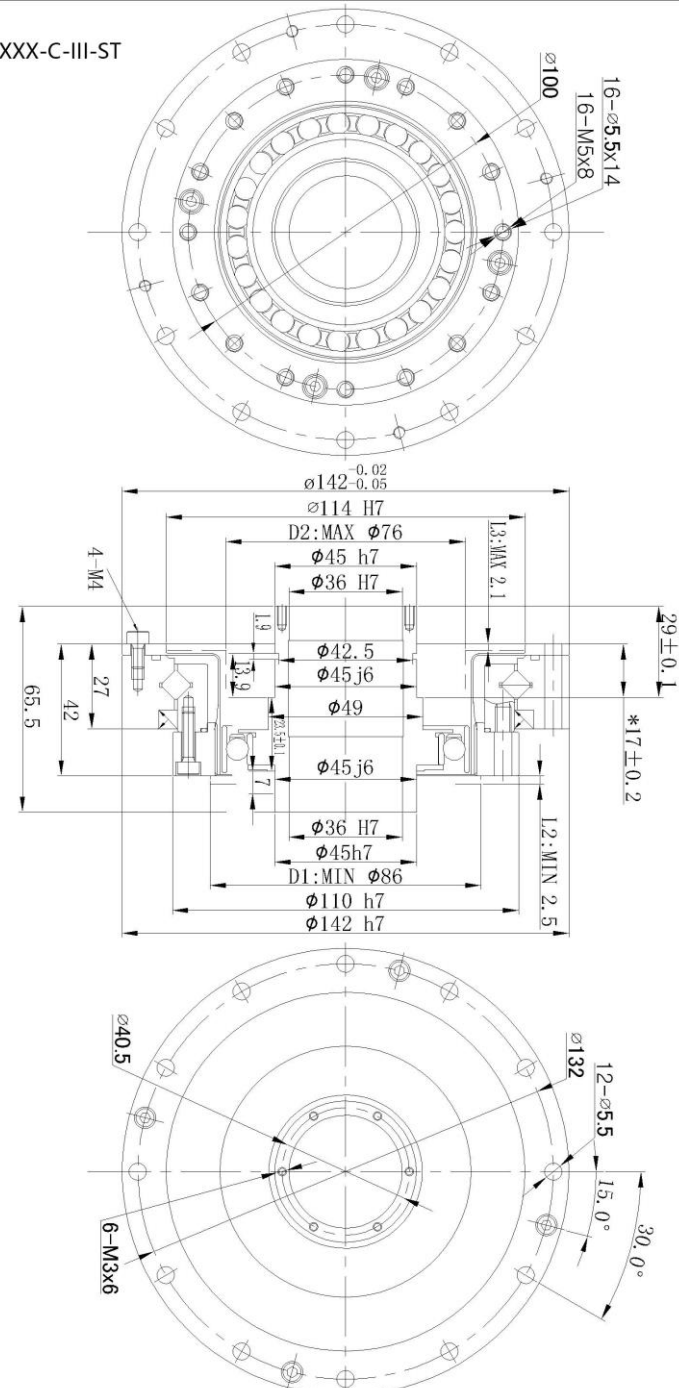


# LHSG-III Series Drawings

LHSG-32-XXX-C-III



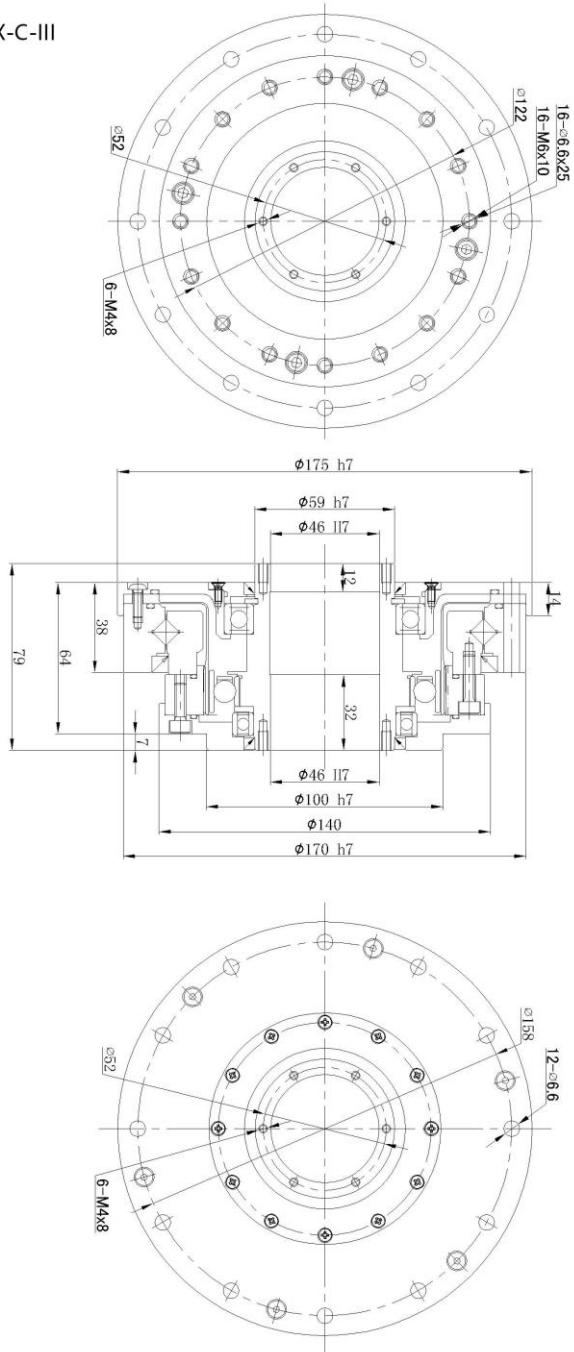
LHSG-32-XXX-C-III-ST



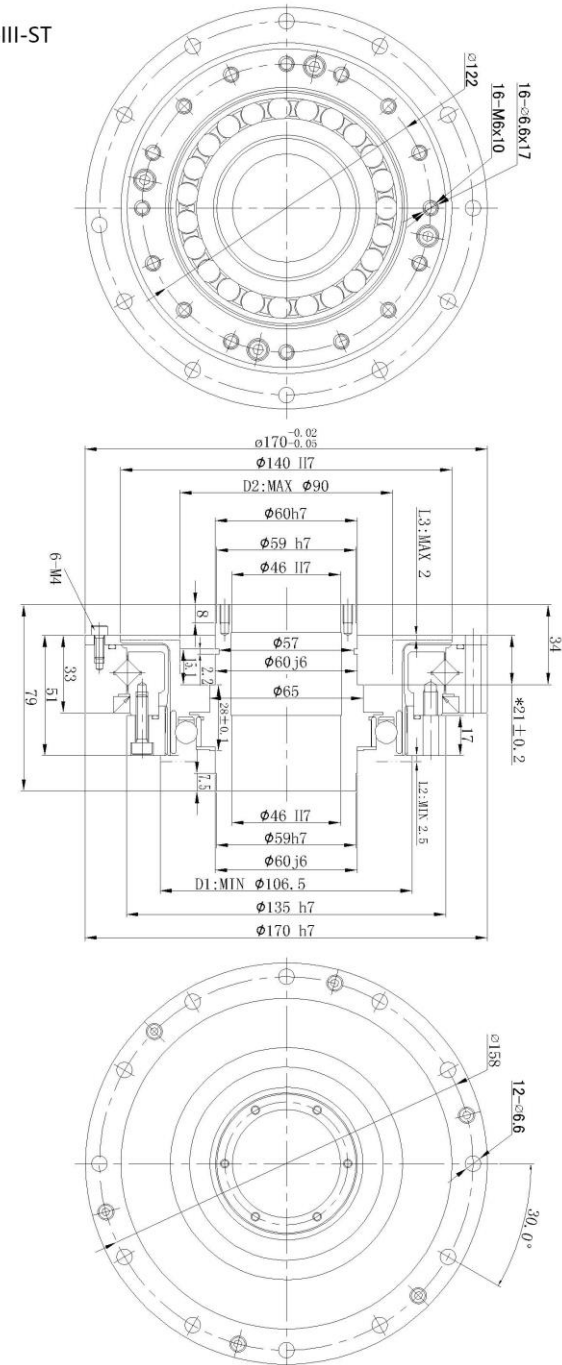


# LHSG-III Series Drawings

LHSG-40-XXX-C-III

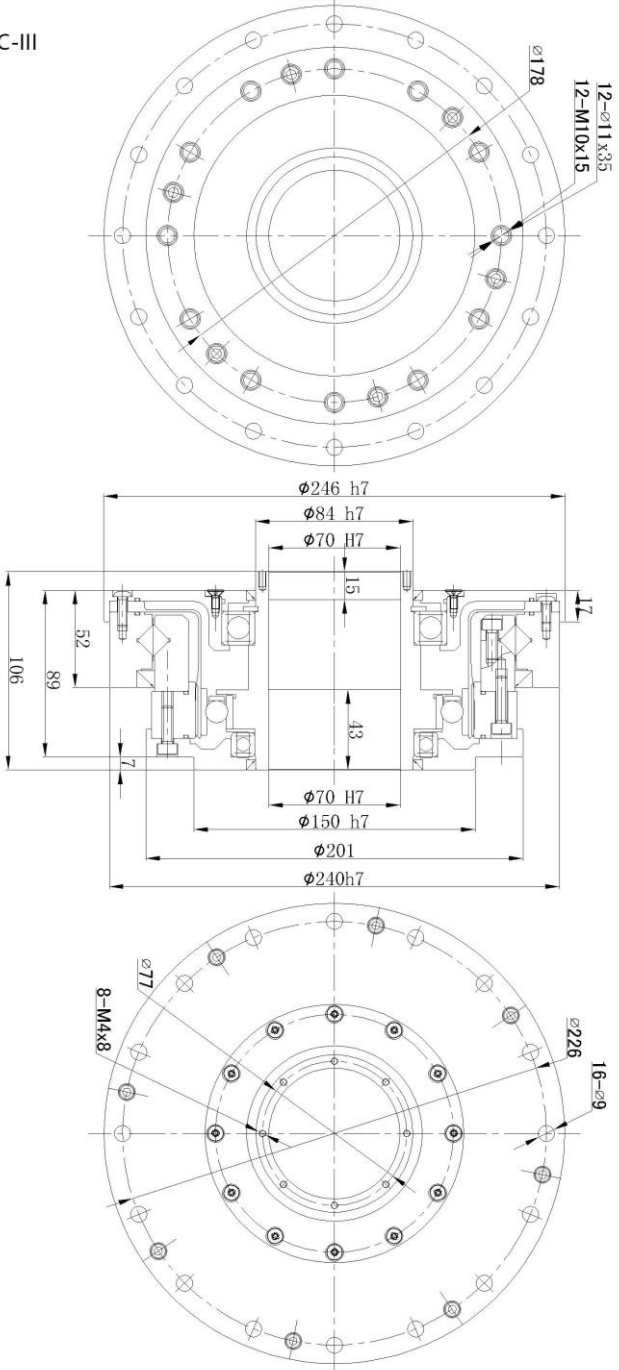


LHSG-40-XXX-C-III-ST



LHSG-III Series Drawings

LHSG-58-XXX-C-III



## LHSG-CL-III series



LHSG-CL-III series are high-torque models which have the same structure, with LHS-CL-III series. However, their torque bearing capacity is improved by 30% compared with LHS series.

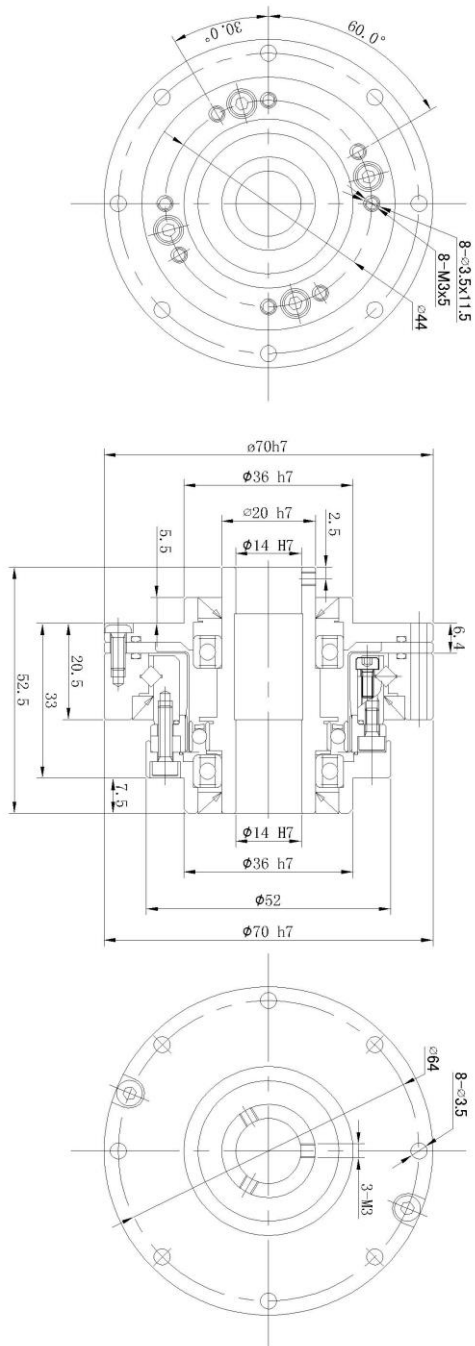
## Parameter Table

Item	Reduction Ratio	Rated Torque at 2000r/min	Allowable Peak Torque at Start and Stop	Allowable Average Torque	Allowable Maximum Momentary Torque	Maximum Input Speed	Allowable Average Input Speed	Back lash	With Maximum Tension	Weight	Design Life
		Nm	Nm	Nm	Nm	r/min	r/min	Arc sec	N	Kg	Hour
14	50	6.6	23	8.6	43	8000	3500	≤10	≤77	0.56	10000
	80	9.6	29	13.5	57			≤10			15000
	100	9.6	34	13.5	66			≤10			15000
17	50	19.8	42	32	86	7000	3500	≤10	≤92	0.80	10000
	80	27.5	53	33	108			≤10			15000
	100	30	66	49	134			≤10			15000
	120	30	66	49	107			≤10			15000
20	50	32	69	42	121	6000	3500	≤10	≤136	1.09	10000
	80	42	91	58	158			≤10			15000
	100	50	102	61	182			≤10			15000
	120	50	108	61	182			≤10			15000
	160	50	113	61	182			≤10			15000
25	50	48	121	68.5	230	5500	3500	≤10	≤147	1.70	10000
	80	78	169	107	315			≤10			15000
	100	84	194	133	351			≤10			15000
	120	84	207	133	376			≤10			15000
	160	84	217	133	388			≤10			15000
32	50	94	267	133	472	4500	3500	≤10	≤154	3.50	10000
	80	146	376	206	702			≤10			15000
	100	169	411	267	800			≤10			15000
	120	169	436	267	848			≤10			15000
	160	169	459	267	848			≤10			15000
40	50	169	497	242	847	4000	3000	≤10	≤294	6.35	10000
	80	255	641	351	1210			≤10			15000
	100	328	702	460	1334			≤10			15000
	120	363	762	557	1458			≤10			15000
	160	363	800	557	1458			≤10			15000
50*	80	459	1163	641	2297	3000	2500	≤10	≤373	12.0	15000
	100	580	1211	823	2545			≤10			15000
	120	664	1334	1004	2545			≤10			15000
	160	654	1458	1041	3025			≤10			15000
58*	80	678	1828	951	3026	3000	2200	≤10	≤1300	16.5	15000
	100	860	1964	1309	3927			≤10			15000
	120	921	2124	1470	4113			≤10			15000
	160	921	2272	1494	4236			≤10			15000

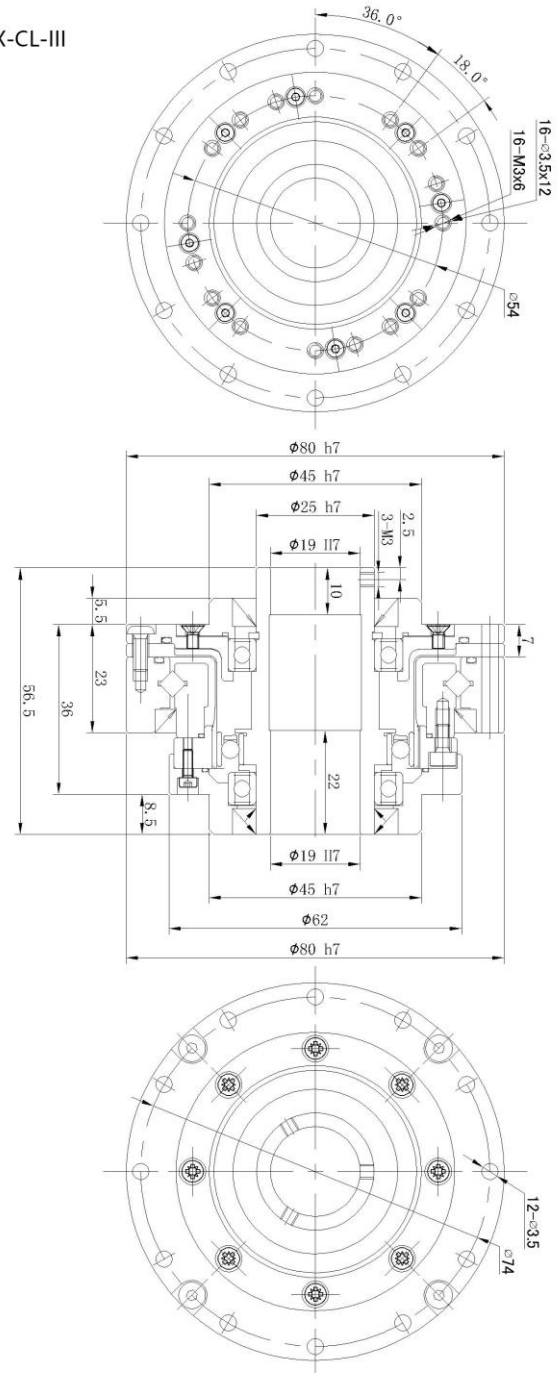
\* Consult factory

# LHSG-CL-III Series Drawings

LHSG-14-XXX-CL-III



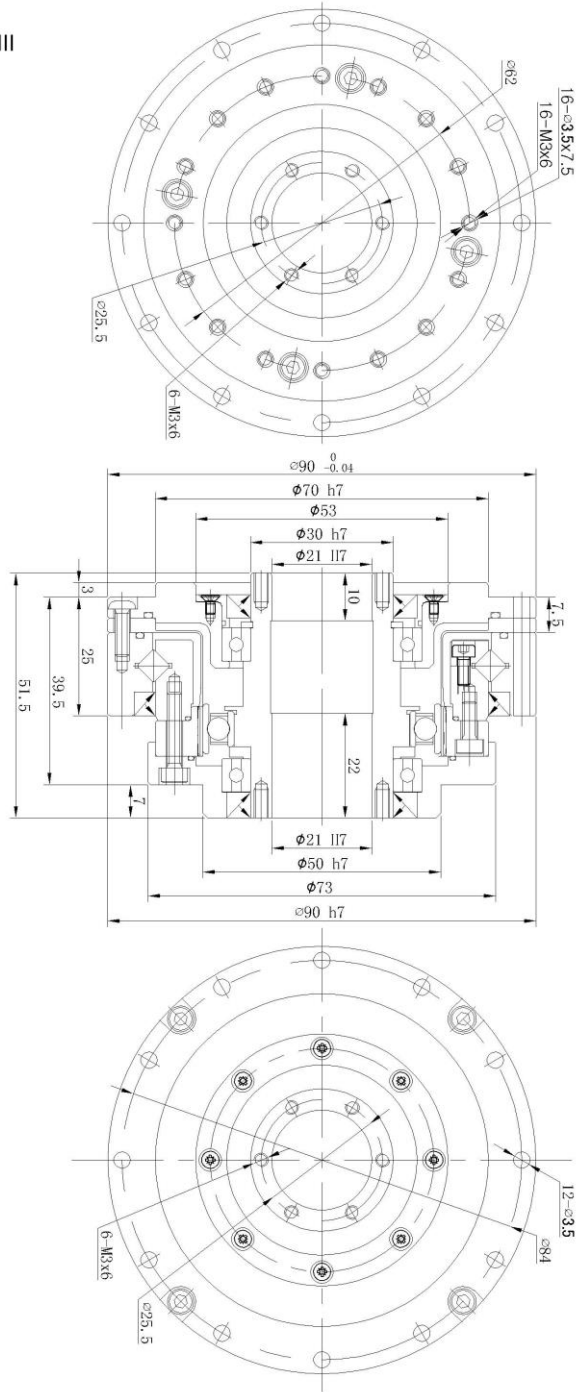
LHSG-17-XXX-CL-III



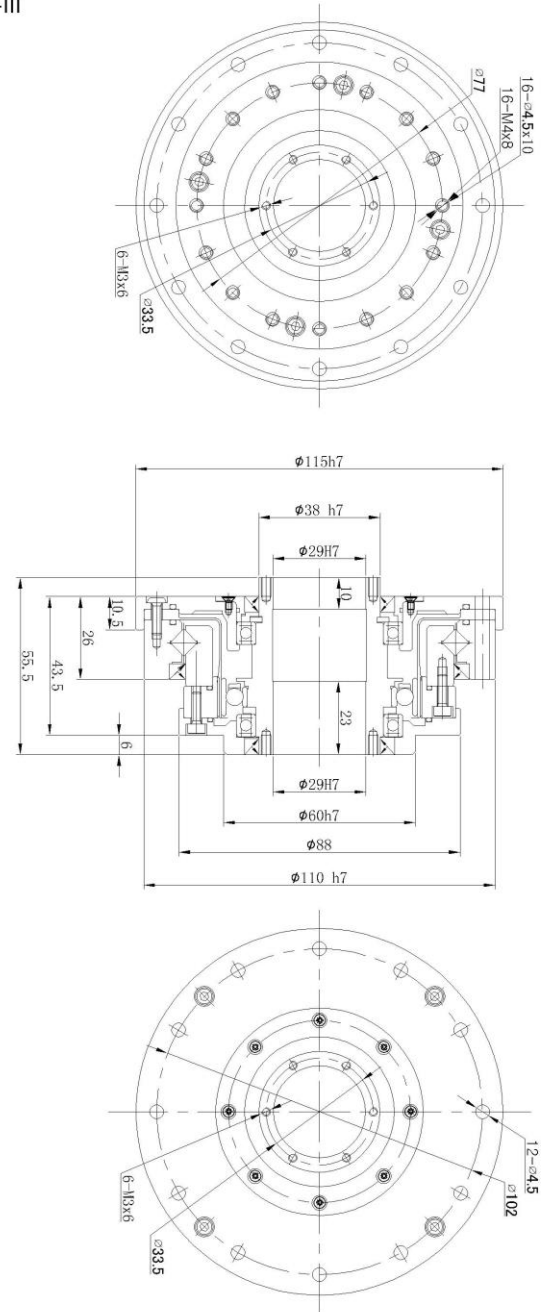


# LHSG-CL-III Series Drawings

LHSG-20-XXX-CL-III

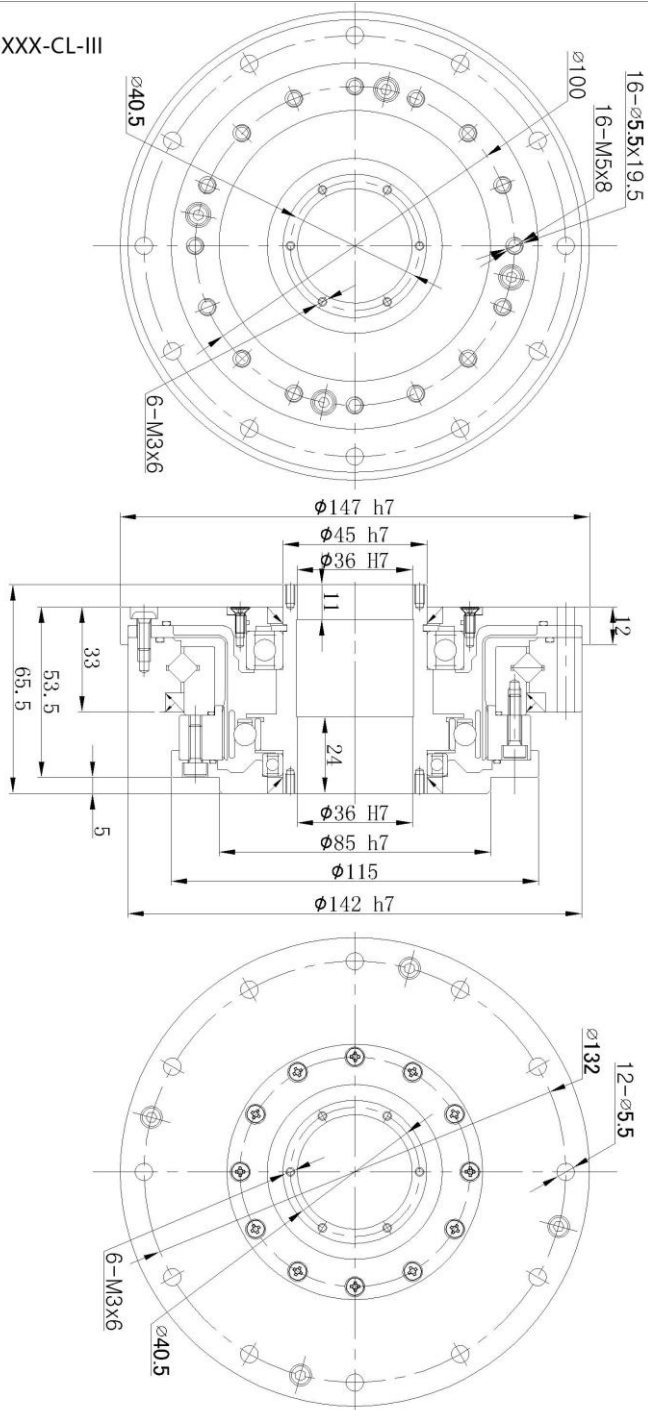


LHSG-25-XXX-CL-III

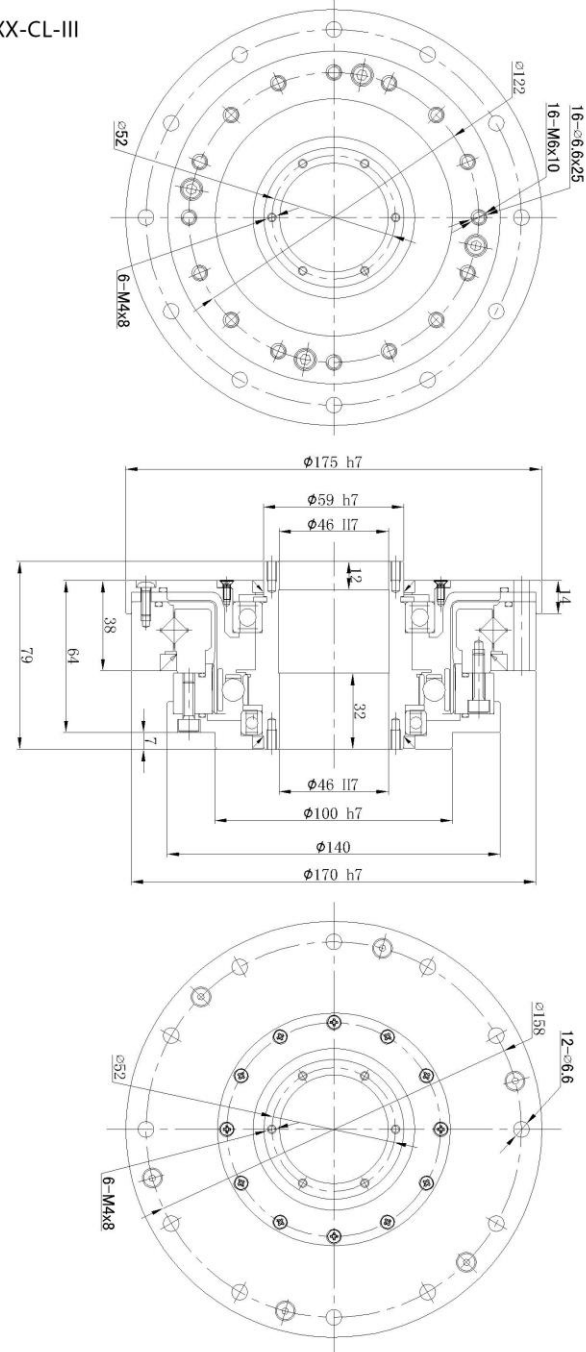


# LHSG-CL-III Series Drawings

LHSG-32-XXX-CL-III



LHSG-40-XXX-CL-III



# LHSG-IV series



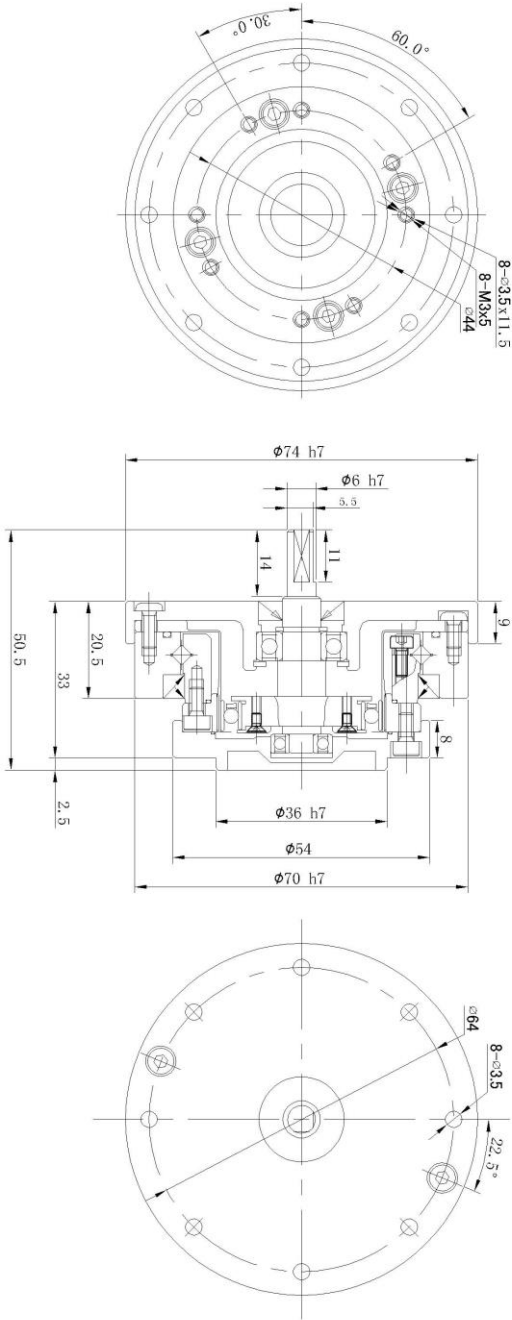
LHSG-IV series are high-torque models which have the same structure, with LHS-IV series. However, their torque bearing capacity is improved by 30% compared with LHS series.

## Parameter Table

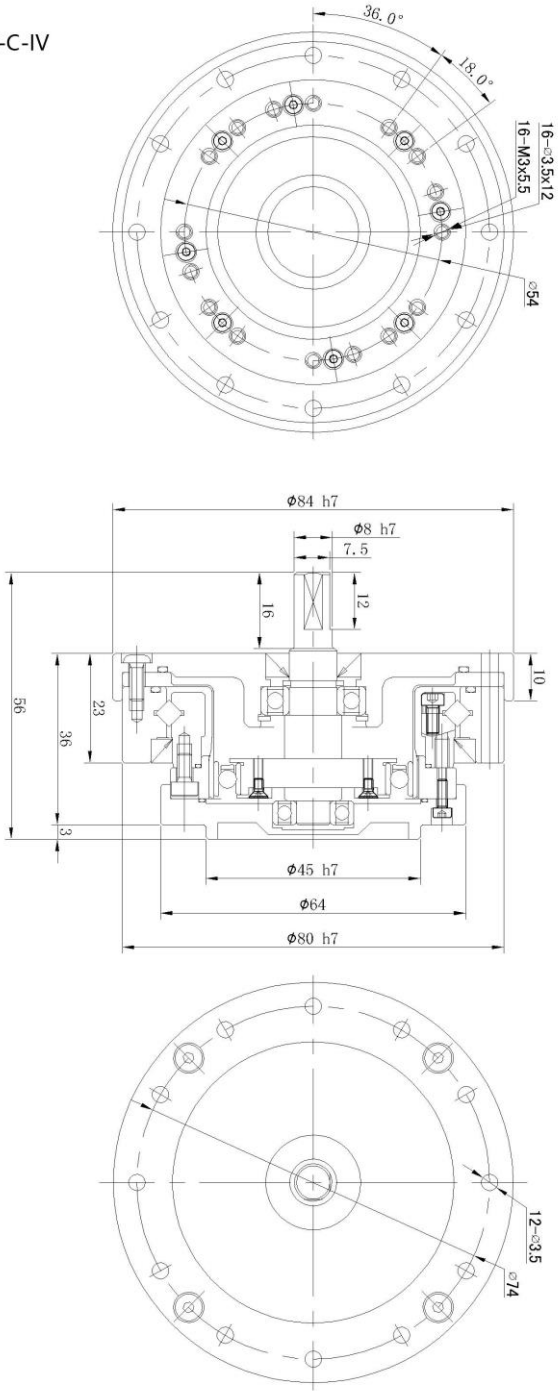
Item	Reduction Ratio	Rated Torque at 2000r/min	Allowable Peak Torque at Start and Stop	Allowable Average Torque	Allowable Maximum Momentary Torque	Maximum Input Speed	Allowable Average Input Speed	Back lash	With Maximum Tension	Weight	Design Life
		Nm	Nm	Nm	Nm	r/min	r/min	Arc sec	N	Kg	Hour
14	50	6.6	23	8.6	43	8000	3500	≤10	≈26	0.65	10000
	80	9.6	29	13.5	57			≤10			15000
	100	9.6	34	13.5	66			≤10			15000
17	50	19.8	42	32	86	7000	3500	≤10	≈32	0.92	10000
	80	27.5	53	33	108			≤10			15000
	100	30	66	49	134			≤10			15000
20	120	30	66	49	107	6000	3500	≤10	≈58	1.36	10000
	50	32	69	42	121			≤10			15000
	80	42	91	58	158			≤10			15000
25	100	50	102	61	182	5500	3500	≤10	≈71	2.05	10000
	120	50	108	61	182			≤10			15000
	160	50	113	61	182			≤10			15000
32	50	48	121	68.5	230	4500	3500	≤10	≈114	4.35	10000
	80	78	169	107	315			≤10			15000
	100	84	194	133	351			≤10			15000
40	120	84	207	133	376	4000	3000	≤10	≈294	7.9	10000
	160	84	217	133	388			≤10			15000
	50	94	267	133	472			≤10			15000
40	80	146	376	206	702	4000	3000	≤10	≈294	7.9	10000
	100	169	411	267	800			≤10			15000
	120	169	436	267	848			≤10			15000
40	160	169	459	267	848	4000	3000	≤10	≈294	7.9	10000
	50	169	497	242	847			≤10			15000
	80	255	641	351	1210			≤10			15000
40	100	328	702	460	1334	4000	3000	≤10	≈294	7.9	10000
	120	363	762	557	1458			≤10			15000
	160	363	800	557	1458			≤10			15000

# LHSG-IV Series Drawings

LHSG-14-XXX-C-IV



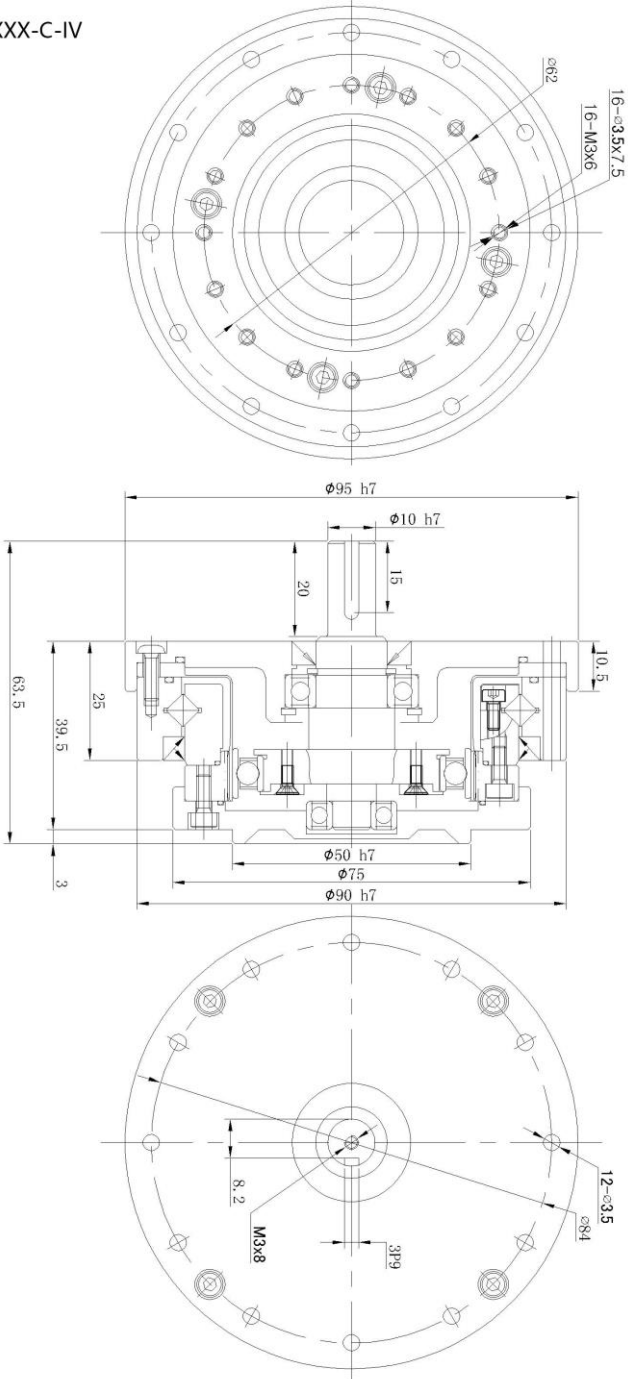
LHSG-17-XXX-C-IV



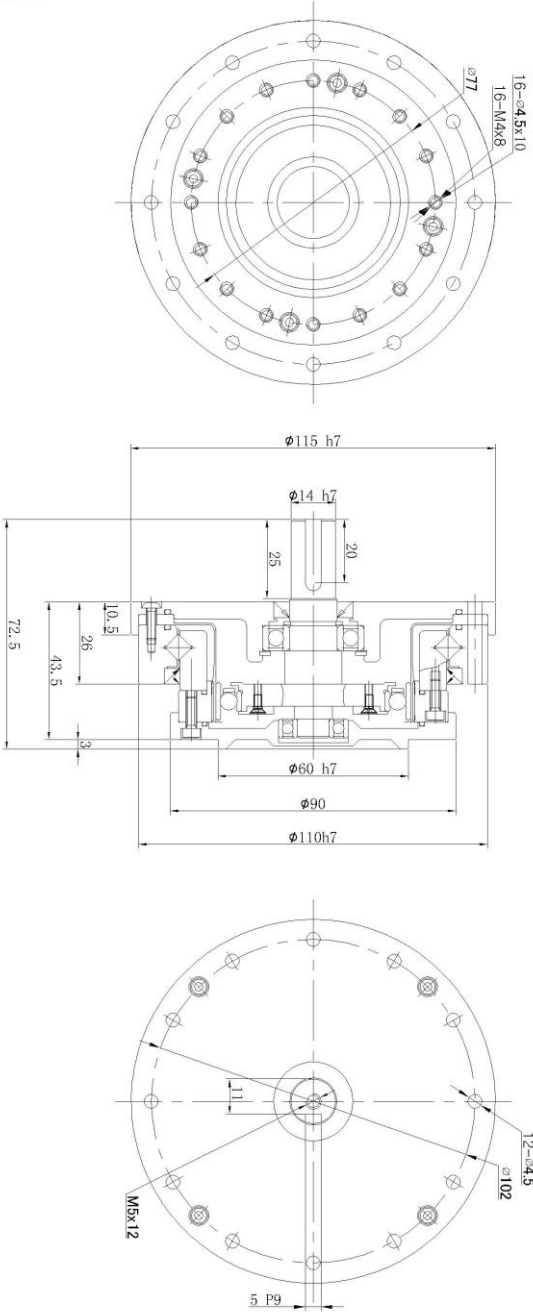


# LHSG-IV Series Drawings

LHSG-20-XXX-C-IV

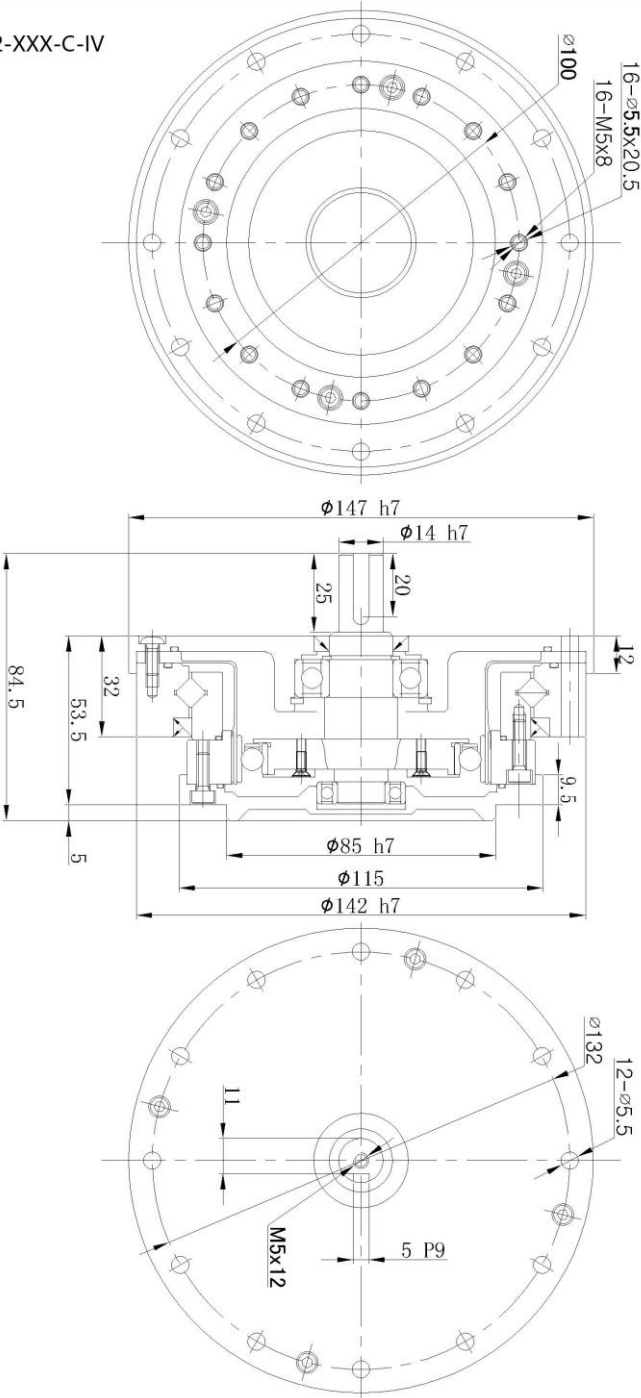


LHSG-25-XXX-C-IV



# LHSG-IV Series Drawings

LHSG-32-XXX-C-IV



LHSG-40-XXX-C-IV

